

ALLASIO

UNDER-CABINET



COMFORT SERIES

The slim Allasio with 4 ³/₄" height is ideal where under-cabinet space is limited, plus the contemporary styling and gleaming colors will compliment other appliances and most cabinetry. Allasio features a 3-speed, 300 CFM internal blower, which provides sufficient ventilating power for most kitchens. The attractive, electronic push button controls illuminate an elegant blue glow when activated and allows the user to manage blower speeds and dual halogen lamps.

Dishwasher-safe anodized aluminum mesh filters are easy to clean and a snap to remove and replace. Available in 30" or 36" widths, Allasio is designed for standard ducted installation, and can be installed as a recirculating system, using the Recirculating Kit.



MODELS

- EAL330B2 Allasio 30" Black
- EAL330W2 Allasio 30" White
- EAL330S2 Allasio 30" Stainless
- EAL336S2 Allasio 36" Stainless

DIMENSIONS

- (30"W x 20"D x 4 ³/₄"H)
- (36"W x 20"D x 4 ³/₄"H)



Halogen Lamps



Electronic Push Button Controls



Anodized Aluminum Mesh Filters

FEATURES

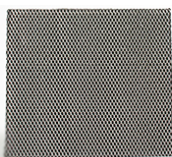
Size (in) & Type Finish	30" or 36" Wide Under-Cabinet Black (30" only), White (30" only), Stainless Steel (30" or 36")
Controls	Electronic Push Button
Illumination	2, 40 Watt Halogen Lamps, 1 Light Intensity (bulbs included)
Installation Type	Ducted or Recirculating Installation Recirculating Kit Sold Separately
Blower Type	300 CFM, 3-Speed Internal
Blower Performance	Speed 1, 120 CFM, 1.6 Sones Speed 2, 210 CFM, 3.5 Sones Speed 3, 300 CFM, 5.0 Sones
Filter Type	2, Dishwasher-Safe, Aluminum Mesh Grease Filters
Duct Transition	3 1/4" x 10" with Back Draft Damper (top or rear) or 7" Round (top) Sold Separately
Electrical	120V-60Hz 360 Watts at 4.3 Amps
Warranty	2 Year Parts & Labor, In-Home Service

ACCESSORIES



Optional Back Draft Damper, 7" Round

CODE: KIT02723
 MODEL: EXXNRVRD



Optional Recirculating Kit for 30" & 36" Units

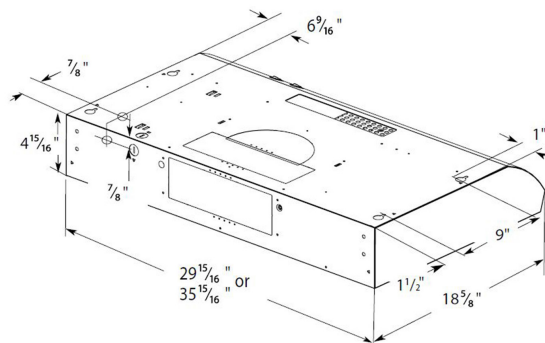
CODE: KIT02178 / MODEL: EBLRCK02 (30")
 CODE: KIT02179 / MODEL: EBLRCK03 (36")



Optional Stainless Steel Mesh Grease Filter

CODE: KIT02591 / MODEL: EBLGFK30 (30")
 CODE: KIT02592 / MODEL: EBLGFK36 (36")

LINE DRAWING



CONSUMABLE PARTS

- | | | |
|---|---|--|
| Replacement Grease Filter (1)
CODE: GF04BA (30")
CODE: GF04BB (36") | Replacement Carbon Filter (1)
CODE: TM01FA (30")
CODE: TM01FB (36") | Replacement Light Bulb (1)
CODE: 2006DX |
|---|---|--|

Consumable parts are sold in units of one (1). Order accordingly.