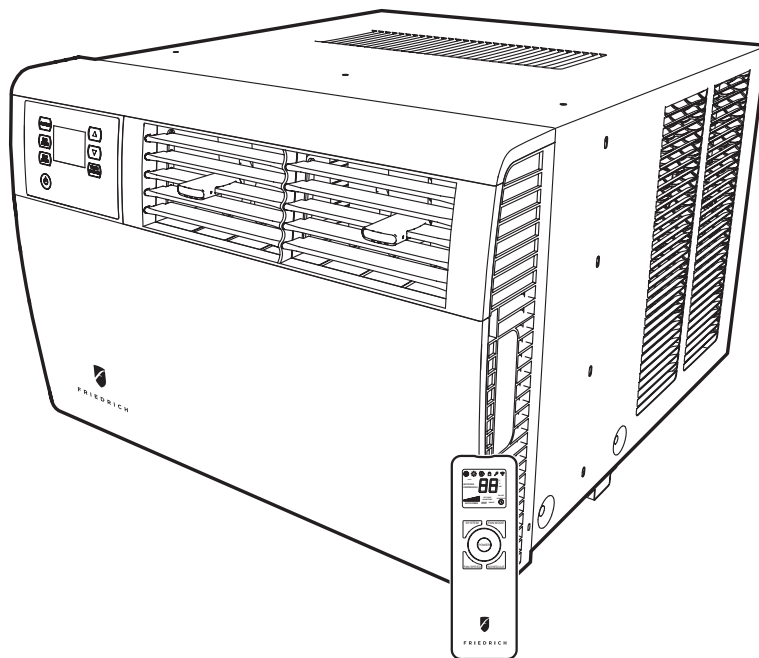




# FRIEDRICH

## Room Air Conditioners



### Q Chassis Models

---

Kühl

115-Volt: SQ05, SQ06, SQ08

---

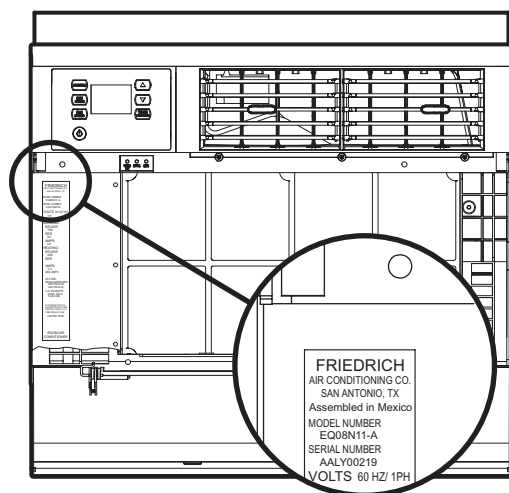
Kühl+

115-Volt: EQ08

Cool & Electric Heat

Thank you for your decision to purchase the Friedrich High Efficiency Air Conditioner. Your new Friedrich has been carefully engineered and manufactured to give you many years of dependable, efficient operation, maintaining a comfortable temperature and humidity level. Many extra features have been built into your unit to assure quiet operation, the greatest circulation of cool, dry air, and the most economic operation.

# THANK YOU, on behalf of our entire company, for making such a wise purchase.



### Register your air conditioner

Model information can be found on the name plate behind the front cover.

Please complete and mail the owner registration card furnished with this product, or register online at [www.friedrich.com](http://www.friedrich.com). For your future convenience, record the model information here.

MODEL NUMBER

SERIAL NUMBER

PURCHASE DATE



---

# Table of Contents

|  |    |
|--|----|
| Table of Contents.....   | 3  |
| Safety Precautions.....  | 4  |
| WARNING: Before Operating Your Unit.....   | 5  |
| Standard Filter Cleaning / Installation Instructions.....                          | 6  |
| Premium Carbon Filter Installation Instructions.....                               | 6  |
| Control Panel Operation Instructions.....  | 7  |
| Remote Control Operation.....  | 12 |
| Remote Effectiveness.....  | 12 |
| Airflow Selection and Adjustment.....  | 14 |
| Installation Instructions & Precautions.....                                       | 14 |
| Items required for installation.....   | 15 |
| Standard Window Installation.....  | 16 |
| Replacement Installation Instructions.....   | 19 |
| Cord Routing Options.....  | 19 |
| Cord Routing Change.....   | 20 |
| EntryGuard Security Lock.....  | 21 |
| Thru-the-wall Installation.....  | 22 |
| Final Inspection & Start-up Checklist.....   | 24 |
| Routine Maintenance.....   | 25 |
| Service and Assistance.....  | 25 |
| Available Accessories.....   | 25 |
| Troubleshooting Tips.....  | 26 |
| Addendum 1.....  | 28 |
| Performance Testing Installation and Test Method (for testing laboratory use)..... | 60 |

# Safety Precautions

## Your safety and the safety of others are very important.

We have provided many important safety messages in this manual and on your appliance. Always read and obey all safety messages.



This is a safety Alert symbol.

This symbol alerts you to potential hazards that can kill or hurt you and others. All safety messages will follow the safety alert symbol with the word "WARNING" or "CAUTION". These words mean:



Indicates a hazard which, if not avoided, can result in severe personal injury or death and damage to product or other property.





Indicates a hazard which, if not avoided, can result in personal injury and damage to product or other property.

All safety messages will tell you what the potential hazard is, tell you how to reduce the chance of injury, and tell you what will happen if the instructions are not followed.



Indicates property damage can occur if instructions are not followed.

|  <b>WARNING</b> |   |
|--|---|
|                | <p><b>Refrigeration system under high pressure</b></p> <p>Do not puncture, heat, expose to flame or incinerate.</p> <p>Only certified refrigeration technicians should service this equipment.</p> <p>R410A systems operate at higher pressures than R22 equipment. Appropriate safe service and handling practices must be used.</p> <p>Only use gauge sets designed for use with R410A. Do not use standard R22 gauge sets.</p> |

|                                   |  |  |  |
|-----------------------------------|--|--|--|
| <b>THINK<br/>SAFETY<br/>FIRST</b> |  <b>WARNING</b>       |  <b>AVERTISSEMENT</b>   |  <b>ADVERTENCIA</b>                       |
|                                   | Do not remove, disable or bypass this unit's safety devices. Doing so may cause fire, injuries or death. | Nes pas supprimer, désactiver ou contourner cette l'unité des dispositifs de sécurité. Faire vous risqueriez de provoquer, le feu, les blessures ou la mort. | No eliminar, desactivar o pasar por alto los dispositivos de la unidad. Si lo hace podría producirse fuego, lesiones o muerte. |

61952220

## WARNING: Before Operating Your Unit

### Make sure the wiring is adequate for your unit.

If you have fuses, they should be of the time delay HACR type. Before you install or relocate this unit, be sure that the amperage rating of the circuit breaker or time delay fuse does not exceed the amp rating listed in Table 1.

### DO NOT use an extension cord.

The cord provided will carry the proper amount of electrical power to the unit; an extension cord may not.

### Make sure that the receptacle is compatible with the air conditioner cord plug provided.

This insures proper grounding. If you have a two prong receptacle you will need to have it replaced with a grounded receptacle by a certified electrician. The grounded receptacle should meet all national and local codes and ordinances. Under no circumstances should you remove the ground prong from the plug. You must use the three prong plug furnished with the air conditioner.

### Test the power cord

All Friedrich room air conditioners are shipped from the factory with a Leakage Current Detection Interrupter (LCDI) equipped power cord. The LCDI device meets the UL and NEC requirements for cord connected air conditioners effective August 2004.

To test your power supply cord:

1. Plug power supply cord into a grounded 3 prong outlet.
2. Press RESET (See Figure 1).
3. Press TEST, listen for click; the RESET button trips and pops out.
4. Press and release RESET (Listen for click; RESET button latches and remains in). The power cord is ready for use.

Once plugged in, the unit will operate normally without the need to reset the LCDI device.


If the LCDI device fails to trip when tested or if the power supply cord is damaged, it must be replaced with a new power supply cord from the manufacturer. Contact our Technical Assistance Line at (800) 541-6645. To expedite service, please have your model number available.

## NOTICE

Do not use the LCDI device as an ON/OFF switch.

Failure to adhere to this precaution may cause premature equipment malfunction.

Table 1.

| MODEL                      | CIRCUIT RATING OR TIME DELAY FUSE |      | REQUIRED WALL RECEPTACLE |   |
|----------------------------|-----------------------------------|------|--------------------------|---|
|                            | AMP                               | VOLT | NEMA NO.                 |   |
| SQ05 • SQ06<br>SQ08 • EQ08 | 15                                | 125  | 5-15P                    |  |

## ⚠ WARNING



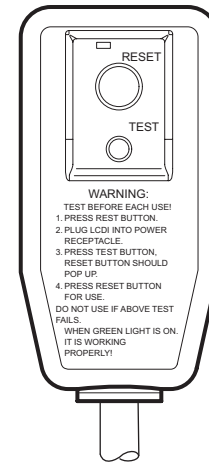
### Electrical Shock Hazard

Make sure your electrical receptacle has the same configuration as your air conditioner's plug. If different, consult a Licensed Electrician.

Do not use plug adapters.  
Do not use an extension cord.  
Do not remove ground prong.

Unplug unit prior to performing any service.  
Always plug into a grounded 3 prong outlet.  
Failure to follow these instructions can result in death, fire, or electrical shock.

Figure 1



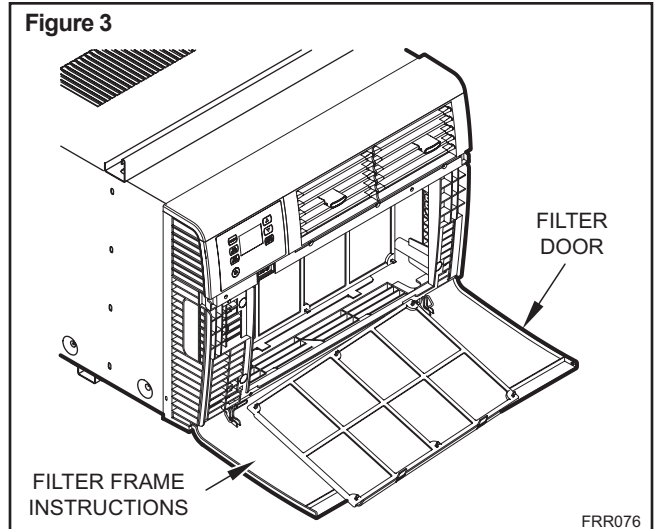
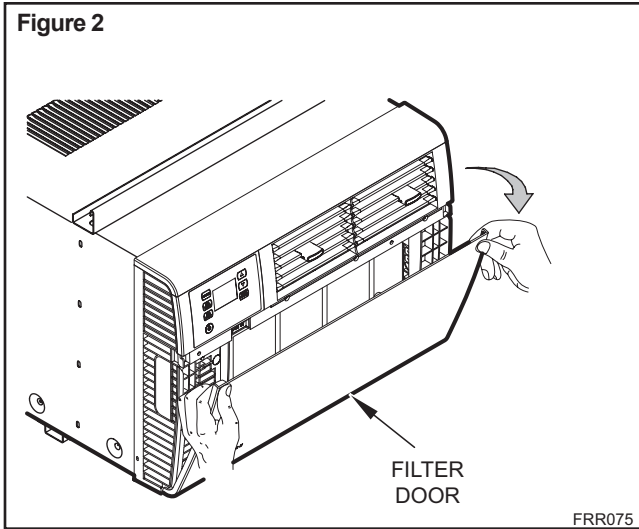
FRR072

## Standard Filter Cleaning / Installation Instructions

STEP 1. Open front cover and remove permanent/washable mesh filter by grasping the filter grip and pushing the filter holder up and outward.

STEP 2. Clean the front mesh frame by washing the dirt from the filter. Use a mild soap solution if necessary. Allow filter to dry.

STEP 3. Install filter back into the unit. See also "Filter Removal Procedure" on the inside of the front door.



## Premium Carbon Filter Installation Instructions

Please follow the instructions below to install the Friedrich carbon filter. The carbon filter should be replaced after 300 hours of operation, 3 months, or more often if needed for maximum effectiveness.

When you replace the carbon filter, clean the washable mesh filter if dirty. Allow mesh filter to dry before reinserting.

STEP 1. Remove the black plastic filter frame from the unit following the instructions above or on the inside of the front cover.

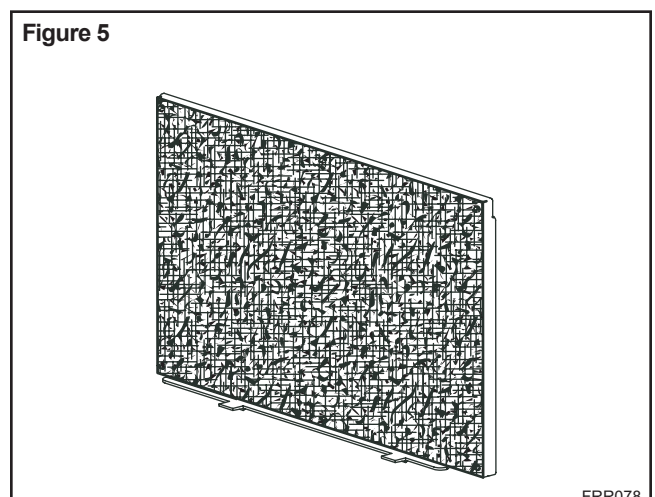
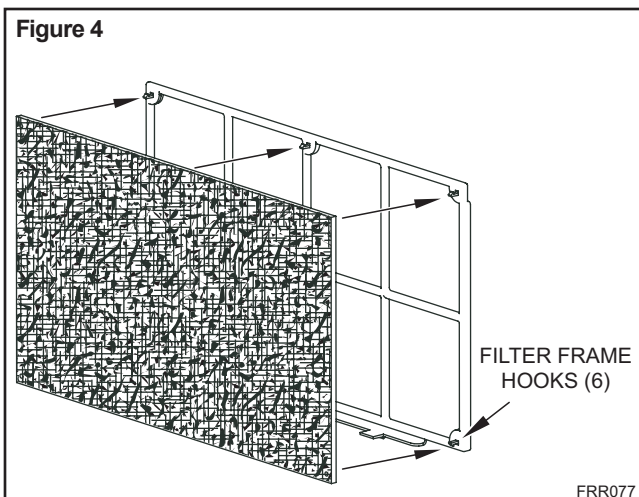
STEP 2. Lay the black plastic filter frame on a flat surface, with the 6 filter frame hooks facing upward.

Place the carbon filter over the filter frame so that the carbon filter's 6 installation holes align with the 6 filter frame hooks. (Figure 4)

Secure the carbon filter to the filter frame. Make sure that all 6 filter frame hooks are inserted through all 6 installation holes of the carbon filter. The installation hooks will hold the filter securely.

STEP 3. Place the black plastic filter frame with the carbon filter installed (Figure 5) back into the front of the unit, following the instructions on the inside of the filter door.

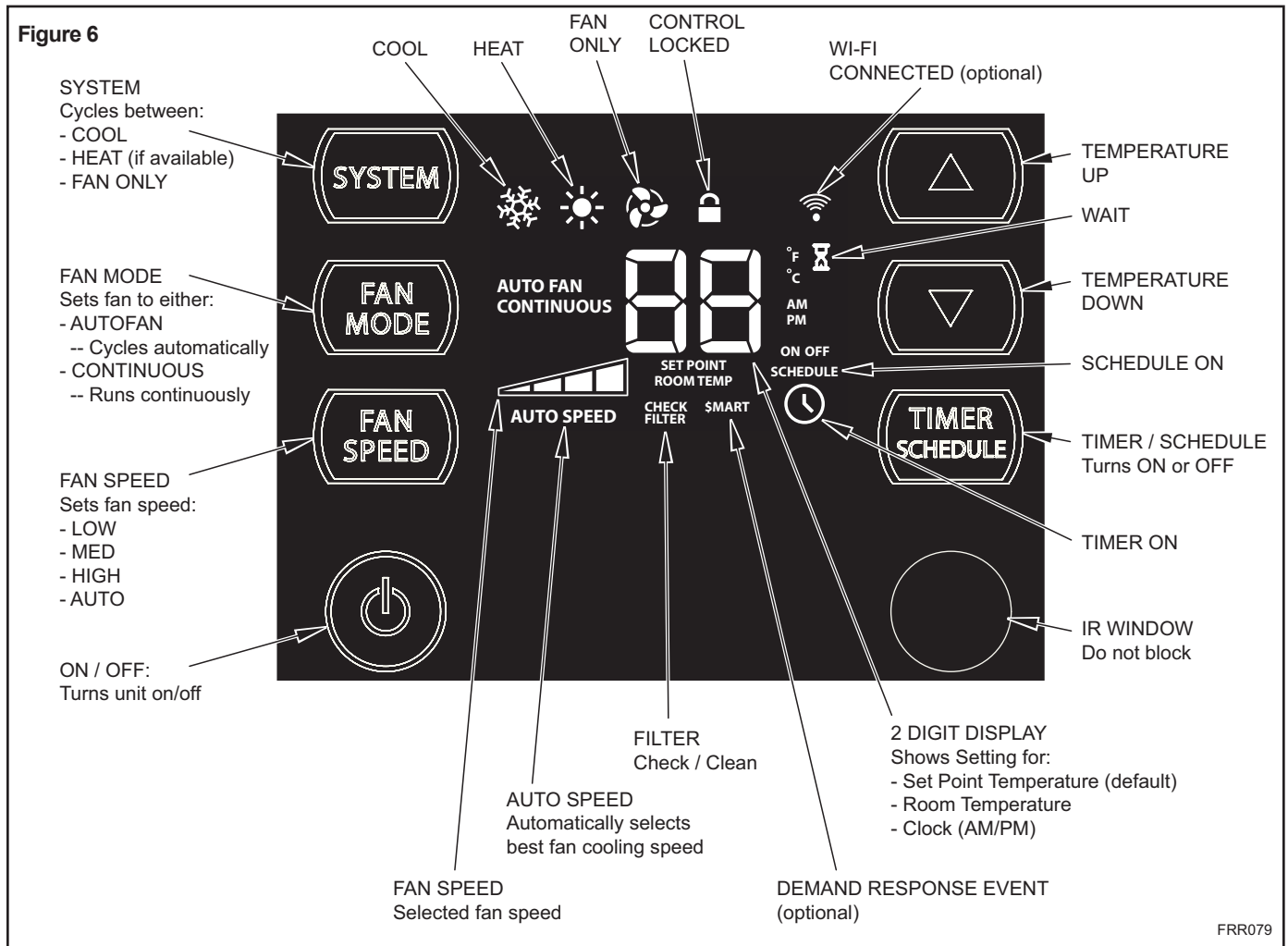
Carbon filter is now ready for use!



# Control Panel Operation

All of the control panel function buttons and mode icons are shown below in Figure 6.

The display backlight has an automatic two (2) step dim function. After 15 seconds of inactivity, the display dims to 20% intensity. After an additional 120 seconds, the display switches off. Touching any button automatically changes the display to full brightness.



## Basic Functions

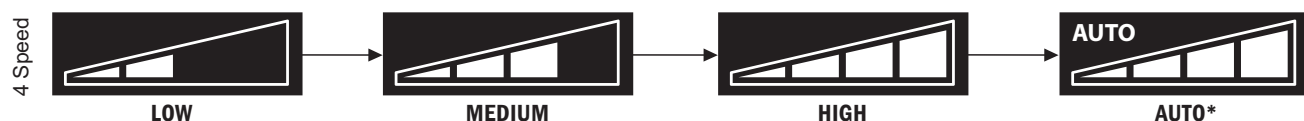
**SYSTEM** allows you to select three modes of operation:

- COOL
- HEAT (if available)
- FAN ONLY

**FAN MODE** allows you to select between **AUTO FAN** and **CONTINUOUS** modes. (must be in COOL or HEAT operation modes)

- AUTOFAN: fan cycles on or off with compressor
- CONTINUOUS: fan operates all the time.

**FAN SPEED** allows you to select between four fan speeds: \*AUTO selects fan speed needed to satisfy desired set point.



**UP** and **DOWN** – changes the system's set point (desired room temperature). Press once to change 1 degree at a time or hold down to change at a faster pace. The factory preset lower and upper limits are 60°F (16°C) and 99°F (37°C) (These buttons are also used for other functions explained later in this section).

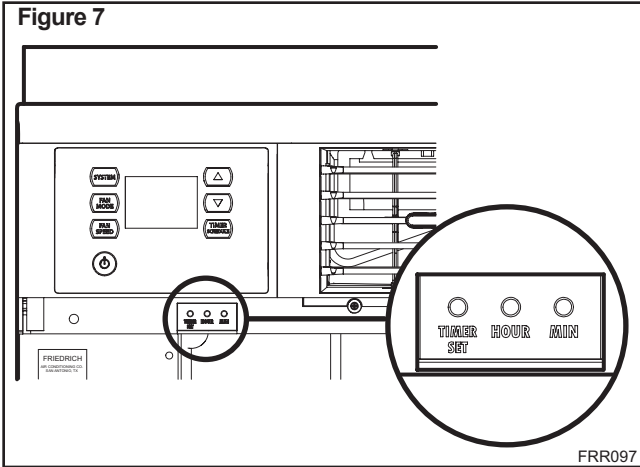
**TIMER SCHEDULE** allows you to select between the 24-Hour Timer (default) or one of the pre-programmed energy management SCHEDULE options. Pressing this button will activate the selected TIMER or SCHEDULE. Details are explained in the next section.

FRR095

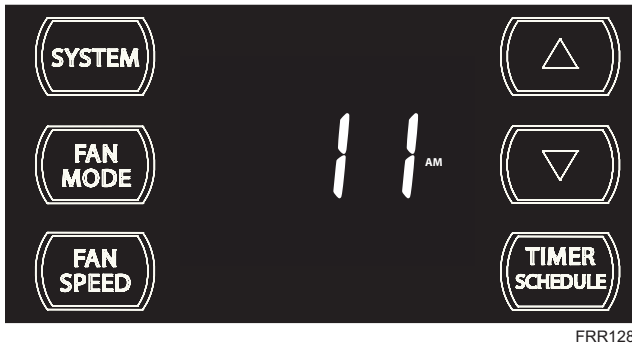
## Advanced Functions

In order to use advanced functions, such as the timer or scheduler, you must first set the time and day on your unit.

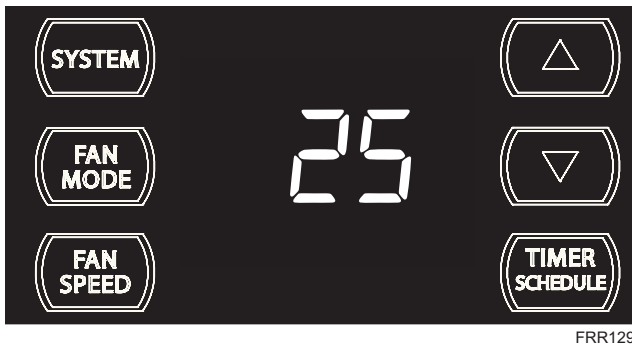
**Set TIME and DAY** - To adjust the unit's time press and hold the HOUR and the MIN buttons together for three seconds (Refer to Figure 7).



The unit's current hour displays. Use the ▲ or ▼ buttons to adjust the hour from 1 - 12, AM or PM. The example shown below is set for 11 AM. Press TIMER SET (Refer to Figure 7) button to save the hour setting and display the unit's current minutes.



Use the ▲ or ▼ buttons to adjust the minutes. The example shown below is now set for 11:25 AM. Press TIMER SET button to display the unit's day setting.



Use the ▲ or ▼ buttons to adjust the day from 1 to 7, 1 = Sunday, 2 = Monday, 3 = Tuesday, and so on. The example shown below is set to 4 = Wednesday. Both pre-programmed schedules and customizable schedules (discussed next) operate off of this setting. It is crucial to set the day correctly if any schedule is to be used.



Press TIMER SET button to exit and save the SET TIME and DAY. The TIMER SET button must be pressed within 15 seconds or the display will time out and return to the normal operating display.

### 24-HOUR TIMER

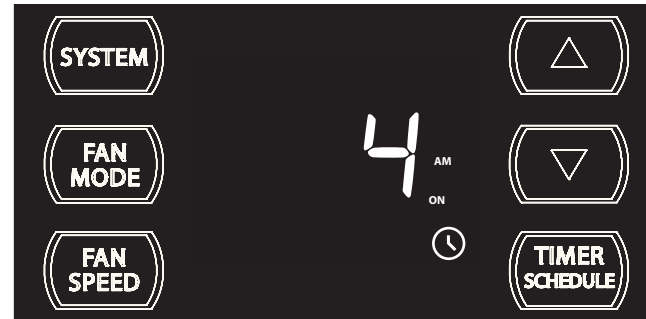
The default program for your TIMER SCHEDULE **TIMER SCHEDULE** button is a 24-Hour Timer. (scheduler options explained later in this section)

It allows you to set daily ON and OFF times. For example, you can program the unit to turn ON at 8:15 am and turn OFF at 1:30 pm everyday. The start and stop time can be defined, but the unit's system mode, fan speed and set point cannot and will default to the last setting used.

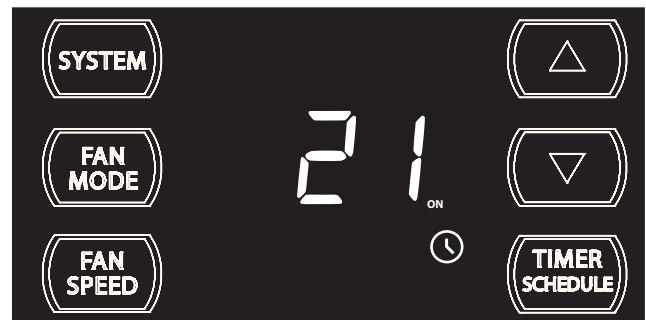
#### Set Timer: Setting the Start Time

Press and hold the HOUR button (Figure 7) for 3 seconds. The ⌚ icon and "ON" will appear on the display

Press the ▲ or ▼ button to adjust the hour. Press the TIMER SET button (Figure 7) to save hour setting and go to minutes. The example below is showing a starting hour of 4 AM.




Use the ▲ or ▼ button to adjust the minutes. Press the TIMER SET button (Figure 7) within 15 seconds to exit and save the setting. The example below has been set to turn on at 4:21 AM, once the Timer is activated..





The display will return to normal once the settings are saved.

NOTE: Setting the Timer's start and stop times do not activate the timer. To activate the timer, you must press the **TIMER SCHEDULE** button.



### Set Timer: Setting the Stop Time

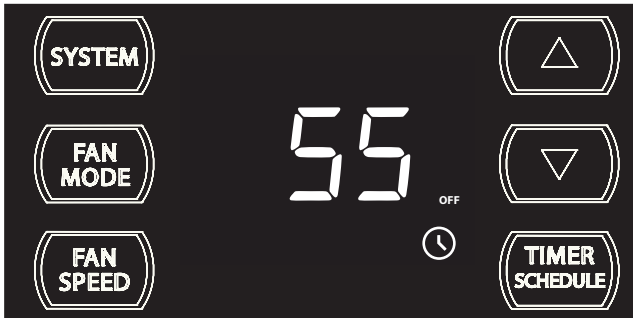
Press and hold the MIN button (Figure 7) for 3 seconds. The  icon and "OFF" will appear on the display

Press the  or  button to adjust the hour. Press the TIMER SET button (Figure 7) to save hour setting and go to minutes. The example below is showing a stop hour of 11 AM.




FRR145

Use the  or  button to adjust the minutes. Press the TIMER SET button (Figure 7) within 15 seconds to exit and save the setting. The example below is now set to turn off at 11:55 AM, once the Timer is activated.





FRR146

The display will return to normal once the settings are saved.

NOTE: Setting the Timer's start and stop times do not activate the timer. To activate the timer, you must press the  button.


### Timer Activated Scenarios

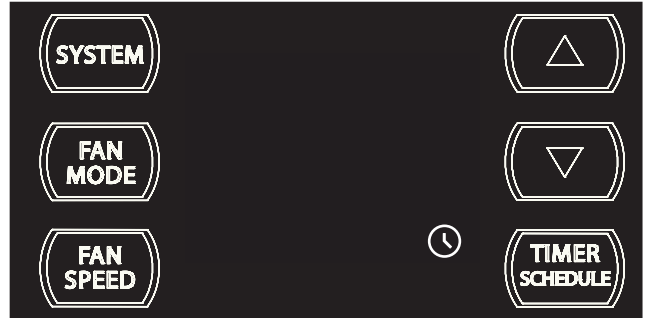
Once the Timer's Start and Stop times have been saved, you can activate the Timer by pressing the  button..

If the Timer function is activated during the ON time, the Timer  icon illuminates and the unit will continue to run in the existing mode (system mode, fan mode, fan speed, set temperature, etc.) until the set OFF time occurs. See the example below:


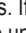


FRR159

When the set OFF time occurs or the Timer function is activated during the OFF time, the unit will turn off, but the  icon will remain illuminated, as shown below.



FRR157

To deactivate and shut off the Timer, press the  button again. Whether in the ON or OFF times, the  icon disappears. If the unit was in an ON time, the unit will stay in the current state. If the unit was in an OFF time, the unit will turn back on in the last state operated.

### TIMER and PRE-PROGRAMMED SCHEDULING

The TIMER SCHEDULE  has three options:




**24-Hour Timer** - System default. (already covered)

**Residential Schedule** (option 1) – 40 Hr. Work Week: This option causes your unit to raise temperatures to 85°F during the typical work day, lower them again to 78°F prior to the time when most people will return home, and raise slightly to 82°F overnight.

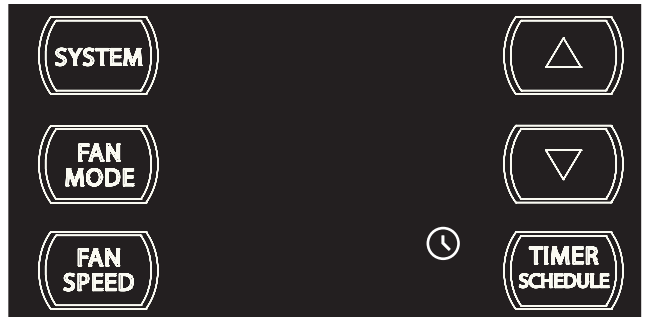
**Commercial Schedule** (option 2) - 5-Day Business Week This option causes your unit to raise temperature to 84°F after typical working hours and on weekends when commercial spaces are typically unoccupied.

(Refer to Addendum 1 in the back of this manual for both Residential and Commercial Schedule Tables.)

### Timer/Schedule Select

To select between these 3 options, press and hold the  button for 3 seconds. You will then be able to toggle between Timer (default), Residential Schedule (1) and Commercial Schedule (2) by pressing the  or  buttons. See below for images of each option.

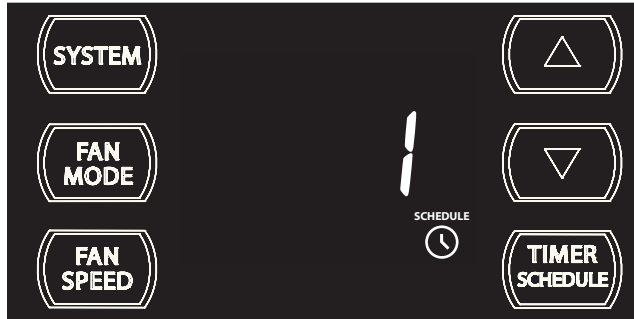
**24-Hour Timer** (system default).



FRR139

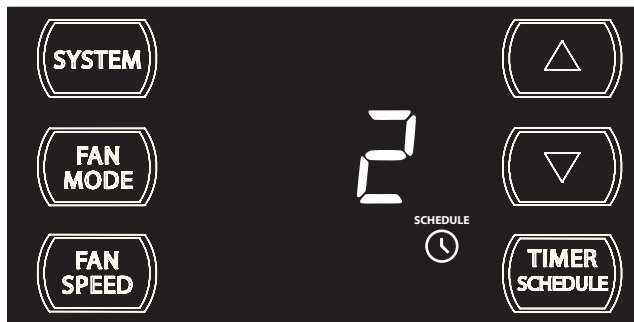


### Residential Schedule (option 1).



FRR137

### Commercial Schedule (option 2).




FRR138

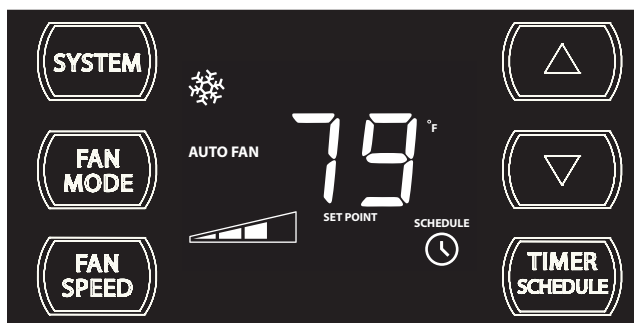
To select/save an option, press the TIMER SET button (Figure 7) while on the desired selection. If there is no button activity for 15 seconds, the function will time out and leave the original selection.

Once the selection is saved (or timed out), the display reverts to the normal display.


To activate the selected timer or schedule, press the **TIMER SCHEDULE** button

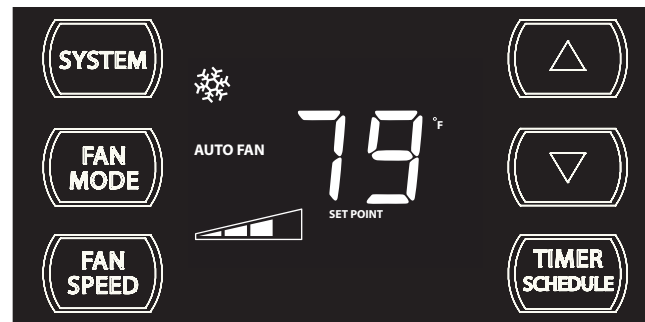
### Scheduler Activated Scenarios

If the Schedule function is activated during normal operation, the **SCHEDULE** and Timer  icons illuminate and the unit immediately runs the current period schedule parameters, as shown below..




FRR155

To deactivate and shut off the Schedule, press the **TIMER SCHEDULE** button again. The **SCHEDULE** and Timer  icons will disappear and the unit will stay in the current state. See example below.



FRR161

### Timer - Scheduler Control Block

If the unit is operating in the TIMER or SCHEDULE mode, all buttons are locked out except the **TIMER SCHEDULE** button. If any other button is pressed, the Timer  icon begins to blink for 3 seconds. In order to make any changes, you must first deactivate the Timer or Schedule by pressing the **TIMER SCHEDULE** button.

### FRIEDRICHLINK WI-FI CONTROL

The FriedrichLink Wireless Adapter Accessory (sold separately) allows you to unlock the full control potential of your Kuhl unit.

You can control, create customized schedules, group units for zone cooling, and many other options remotely from a smartphone, tablet or computer.

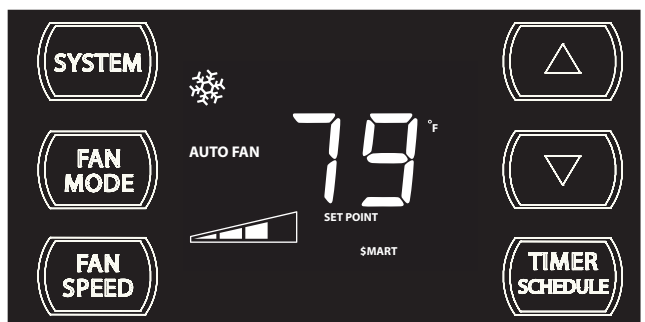
When FriedrichLink is in use, the  icon illuminates to indicate that the system is receiving a Wi-Fi connection.



FRR126

### EXTERNAL CONTROL STATUS

The **SMART** icon illuminates to indicate that the system is being controlled remotely for a Demand Response event.



FRR125



## SETTINGS & ALERTS

### °F - °C Select

To switch from degrees Fahrenheit (F) to Celsius (C), press ▲ and ▼ buttons simultaneously for three seconds.

An "F" will flash for 5 seconds. To change from F to C (or C back to F), press the ▲ or ▼ button within those 5 seconds. After the 5 flashing seconds of your desired setting (F or C), the display will revert back to normal with your desired setting.



FRR133

### DIM Function

There are three separate display brightness levels, AUTO, 20% and full (100%). To change the DIM setting, press the Power button for 3 seconds.

The 1 (shown below) indicates a DIM setting of Auto (factory default). Use the ▲ or ▼ buttons to change the setting.




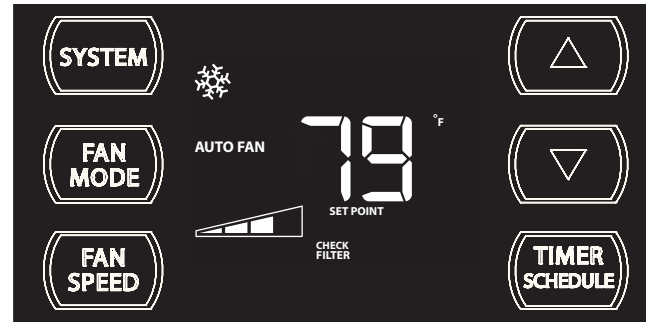
FRR192

The 2 (not shown, but same placement as "1" above) indicates a DIM setting of 20%. Press the TIMER SET (Figure 7) button within 15 seconds to save the setting. Button inactivity for more than 15 seconds causes the display to time out and return to the normal operating display.

The 3 (not shown, but same placement as "1" above) indicates a DIM setting of 100% (full brightness). Press the TIMER SET button within 15 seconds to save the setting. Button inactivity for more than 15 seconds causes the display to time out and return to the normal operating display.

### Check Filter Alert


When the filter needs to be cleaned or replaced, the  icon displays.



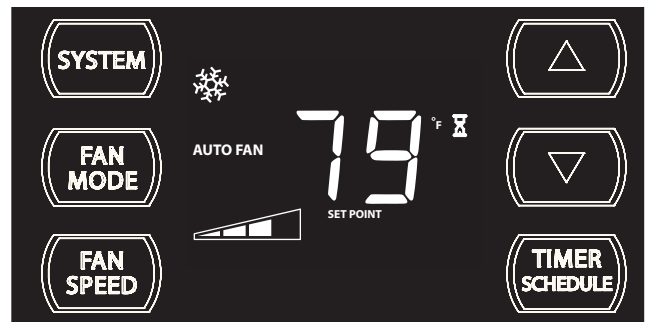
FRR118

The alert can be dismissed by pressing the  and  for 3 seconds.


### Compressor Lockout Alert

The wait icon  illuminates when the compressor lockout is active.




This feature reduces wear and tear on your unit by giving the compressor adequate time to equalize pressure and prevents damage that could occur from starting up the unit too quickly after it stops running.

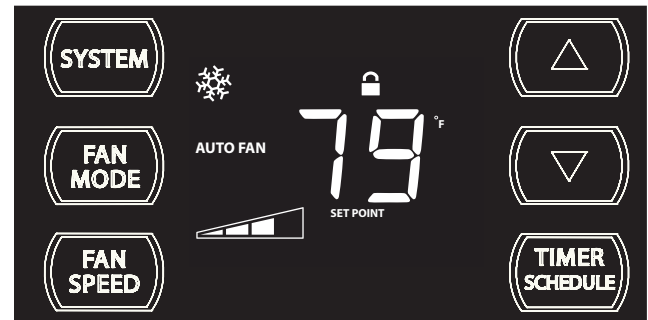


FRR120

Compressor lockout typically lasts between 2 - 3 minutes. Once wait icon  clears, normal operation should begin.

### Lock Control Panel

To lock the front panel controls, press and hold the  +  buttons for 3 seconds. The lock icon  illuminates to indicate the locked status.



FRR116

To unlock, press and hold the  +  buttons for 3 seconds. The lock icon  disappears to indicate unlocked status.

# Remote Control Operation

**Remote Control** - Refer to Figures 9 and 10 during operation description.

**Getting Started** - Install two (2) AAA batteries in the battery compartment located on the back of the unit.

**Operation** - The remote control should be within 25 feet of the air conditioner for operation. (Refer to Figure 8 for effectiveness). Press the power button to turn the remote on. The remote will automatically power off after 15 seconds if the buttons are not being pressed. The remote must be on to control the unit.

**POWER Button** - Turns remote and unit on and off.

**SYSTEM Button** - Toggle between Cool ❄️, HEAT ☀️ (if available), and FAN ONLY 🌀 operation.

**FAN MODE Button** - Toggle between automatic (AUTO FAN) or CONTINUOUS fan operation.

**NOTE:** AUTO FAN is not available in the FAN ONLY Mode, the display indicates CONTINUOUS. In the CONTINUOUS mode, fan speed is determined by your selection on the FAN SPEED button.

**FAN SPEED Button** - Toggle between fan speeds or AUTO speed. When the FAN SPEED button is pressed, the fan speed icon (triangle) changes to indicate the new speed level.

**SCHEDULE Button** - Press the SCHEDULE button to activate the saved/selected timer or schedule function. Pressing the SCHEDULE button a second time deactivates the saved/selected timer or schedule.

**UP and DOWN Arrows** - Pressing either the ▲ (UP) or ▼ (DOWN) button changes the desired room temperature. These buttons are also used to navigate between functions explained earlier in this chapter.

# Remote Effectiveness

**Hand Held Remote** - Has an operating range of up to 25 ft. The infrared remote control signal must have a clear path to transmit the command to the air conditioning unit. The remote signal has some ability to "bounce" off of walls and furniture similar to a television remote control. The diagram below shows the typical operating range of the control in a standard room with 8 ft. high ceilings.

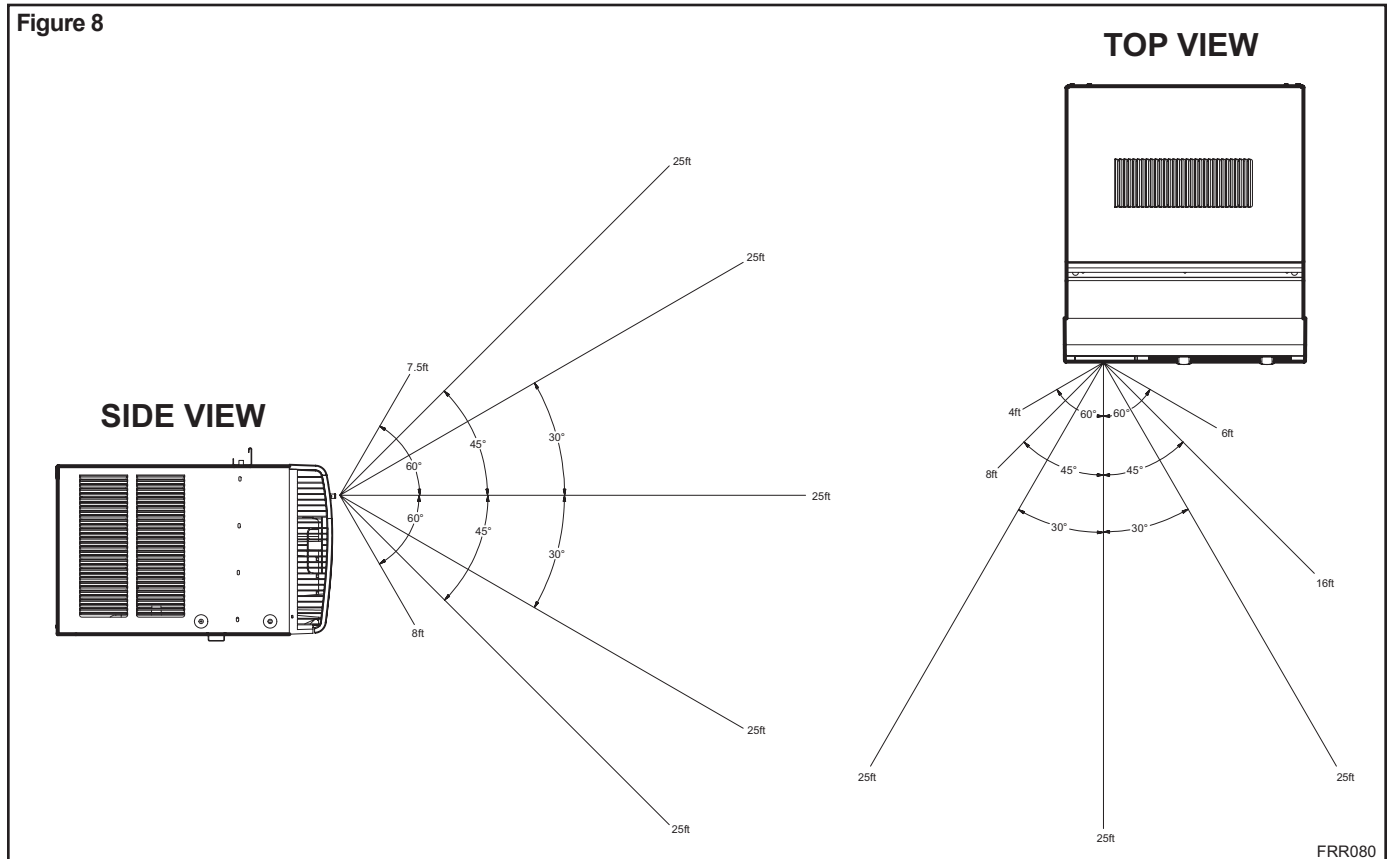
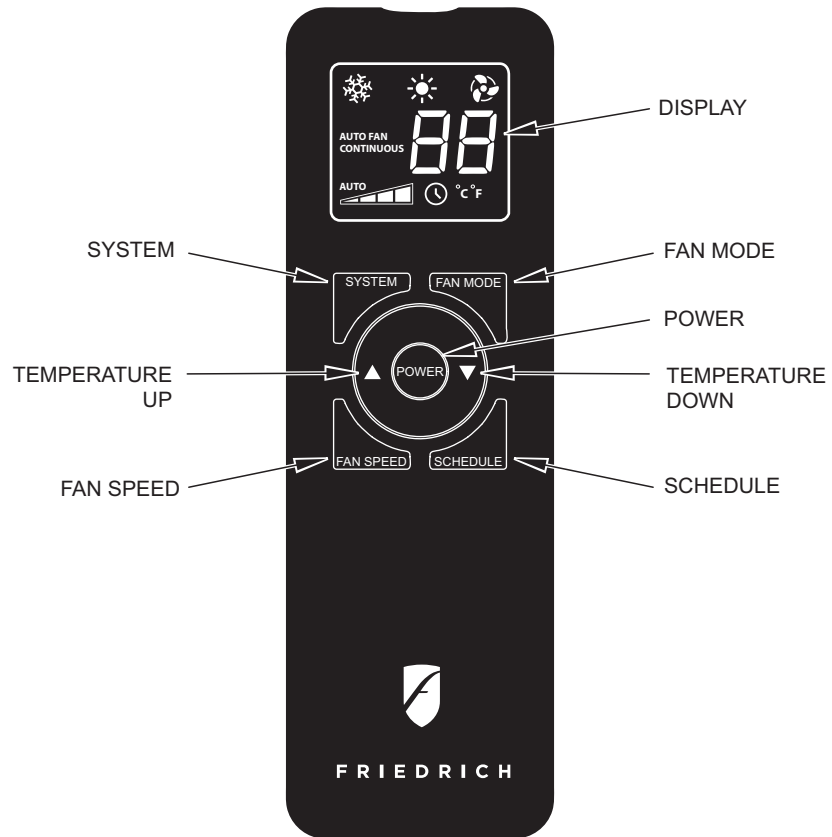
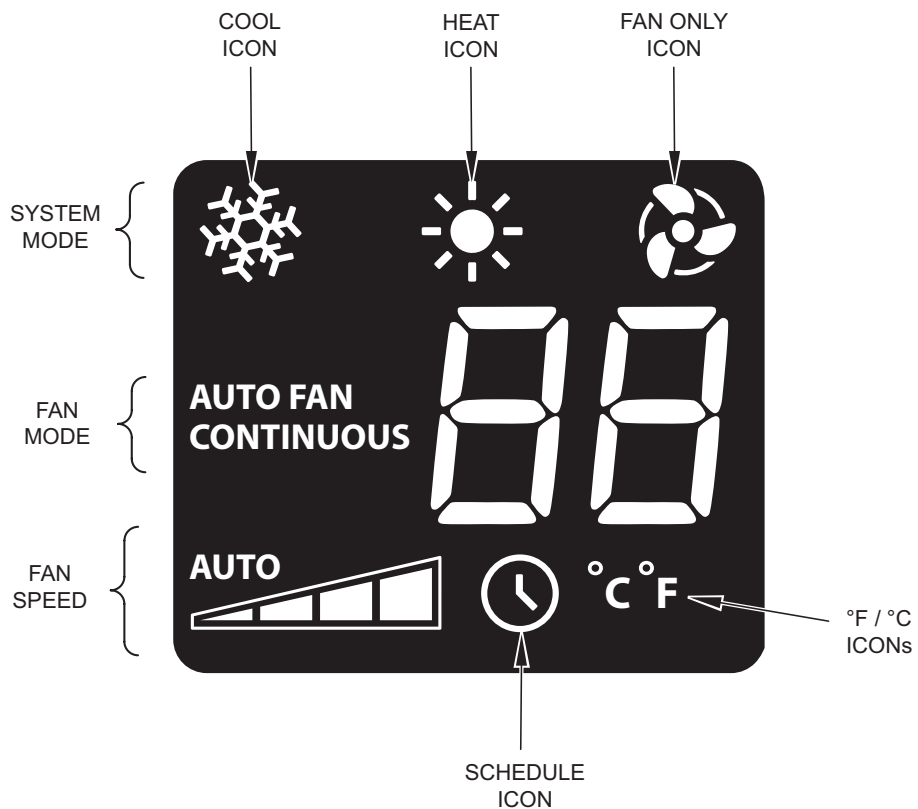


Figure 9



FRR081

Figure 10



FRR082

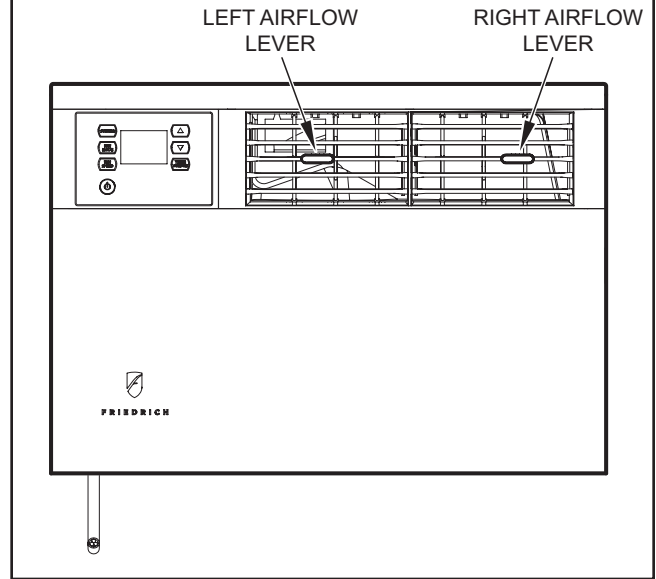
# Airflow Selection and Adjustment

## Air flow direction adjustment

The airflow path may be adjusted to distribute air independently from the left or right side of the discharge opening. Each of the banks of louvers can be directed left, right, up or down in order to achieve the most optimum airflow positioning.



To adjust airflow direction grab the lever in the center of the louver bank and move it in the direction that you would like the air to be directed. Please note that it is normal that airflow may be stronger out of one side of the louvers than the other.

Figure 11



# Installation Instructions

**NOTE:** This section includes installation instructions for window mount and thru-the-wall mount methods. Kühl heat/cool units are designed for permanent thru-the-wall installation. Mounting the unit in a window will require a window accessory kit, available through your Friedrich dealer.

|  <b>WARNING</b> |  |
|--|--|
|                 | <p><b>Electrical Shock Hazard</b></p> <p>Make sure your electrical receptacle has the same configuration as your air conditioner's plug. If different, consult a Licensed Electrician.</p> <p>Do not use plug adapters.<br/>Do not use an extension cord.<br/>Do not remove ground prong.</p> <p>Unplug unit prior to performing any service.<br/>Always plug into a grounded 3 prong outlet.<br/>Failure to follow these instructions can result in death, fire, or electrical shock.</p> |

## READ THIS FIRST! Electrical Requirements

**IMPORTANT:** Before you begin the actual installation of the air conditioner, be sure your electrical requirements are as described below. Consult an electrical professional as necessary to insure home wiring is per local electrical codes.

**CIRCUIT PROTECTION** – An overloaded circuit will invariably cause malfunction or failure of an air conditioner, therefore, it is necessary that the electrical protection is adequate. Due to momentary high current demand when your air conditioner is started, use a "TIME DELAY" fuse or a HACR type circuit breaker. Consult your dealer or power company if in doubt.

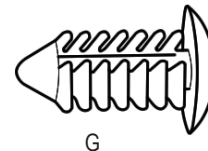
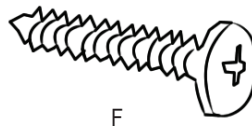
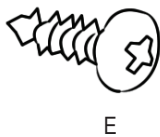
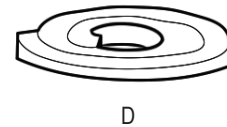
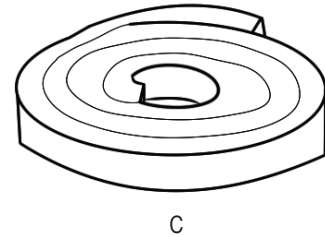
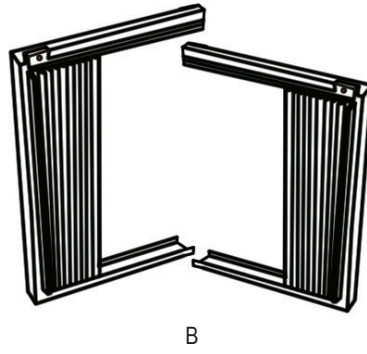
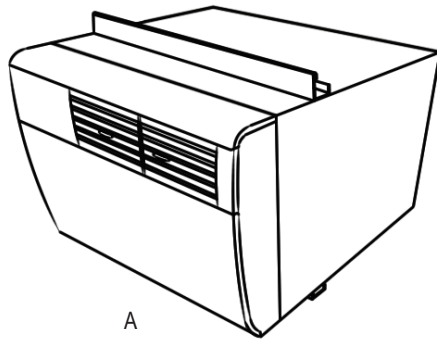
Your air conditioner must be connected to a power supply with the same A.C. voltage and hertz as marked on the unit nameplate. Only alternating current (A.C.), no direct current (D.C.), can be used.

The power cord has a plug with a grounding prong of approved type and a matching plug receptacle with ground is required. Refer to page 5 for the correct type of plug receptacle for your model.

## Items required for installation (included in cooling only units, sold separately for heat/cool models)

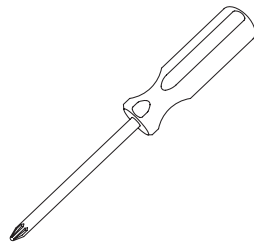
| ITEM NO | DESCRIPTION  | QTY. |
|---------|--|------|
| A       | Q KÜHL UNIT  | 1    |
| B       | Q SIDE CURTAINS (INCLUDES 8 PUSH PINS)                             | 2    |
| C       | WINDOW SEAL GASKET   | 1    |
| D       | SHELL GASKET (ADHESIVE-BACK)<br>for replacement installations only | 1    |

| ITEM NO | DESCRIPTION                  | QTY. |
|---------|------------------------------|------|
| E       | SCREW #8 x 1/2" (BLUE BAG)   | 6    |
| F       | SCREW #8 x 1 1/4" (GREY BAG) | 5    |
| G       | SPARE PUSH PINS              | 4    |



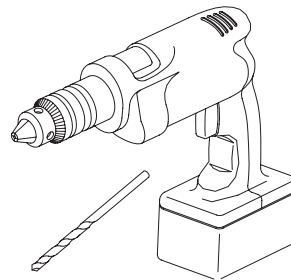
## Recommended tools required for installation: (not included)

### Required for all installations

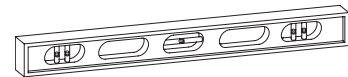


PHILLIPS SCREWDRIVER

### Recommended for thru-the-wall installations



POWER DRILL & 1/8" DRILL BIT



LEVEL


NOTE: Protective clothing and gear should be worn & used while installing the unit (ex: protective eyewear, gloves, boots, etc...)

**FOR WINDOW INSTALLATIONS, PROCEED TO THE NEXT PAGE.**

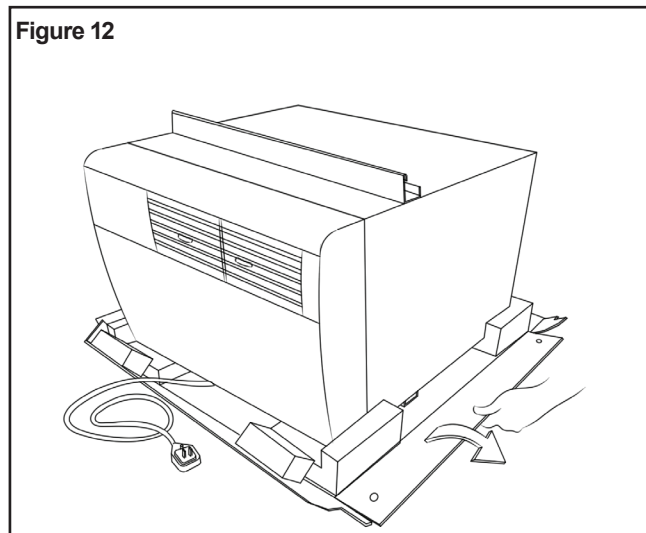
**FOR THRU-THE-WALL INSTALLATIONS, SKIP TO PAGE 22.**

# Standard Window Installation

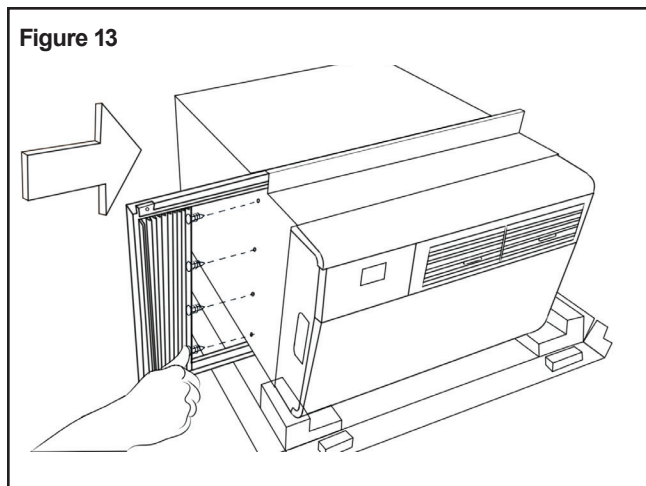
**IMPORTANT:** Some municipalities or jurisdictions require that window units are installed by licensed contractors. Check your local codes and ordinances prior to attempting installation.

| <b>⚠ WARNING</b>  |   |
|---|---|
|  | <p><b>Falling Object Hazard</b></p> <p>Not following Installation Instructions for mounting your air conditioner can result in property damage, injury, or death.</p> |

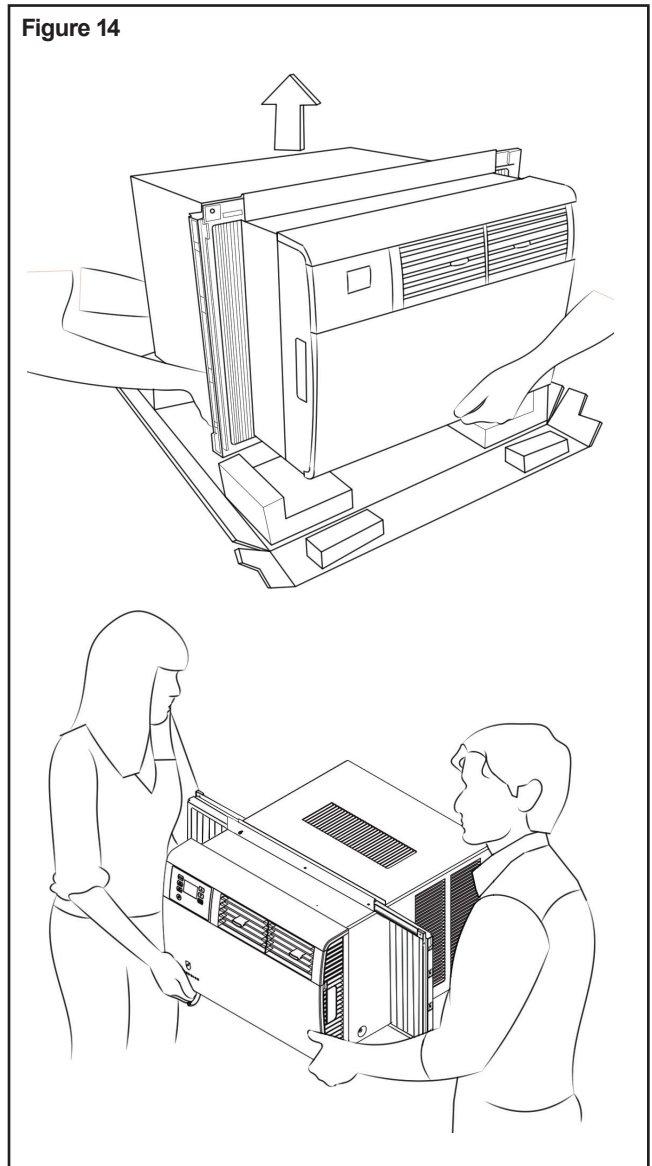
STEP 1. Fold down the sides of the carton bottom tray. (See Figure 12).




STEP 2. Install side curtains (B in parts list) on both sides of the unit. Press in the attached push pins (4 on each side) to secure curtains to the sleeve. (See Figure 13)



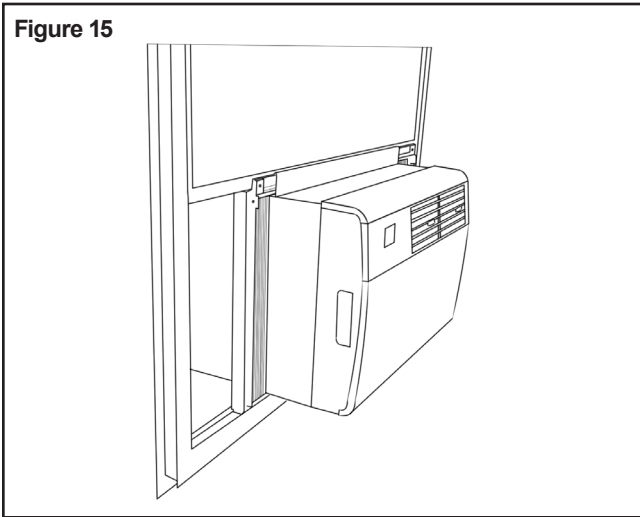
STEP 3. Once both curtains have been installed, slide hands underneath the unit to lift and carry to the window, as shown in Figure 14 below. Obtain assistance as needed



| <b>⚠ CAUTION</b>   |   |
|--|---|
|  | <p><b>Excessive Weight Hazard</b></p> <p>Use two or more people when installing your air conditioner.</p> <p>Failure to do so can result in back or other injury.</p> |

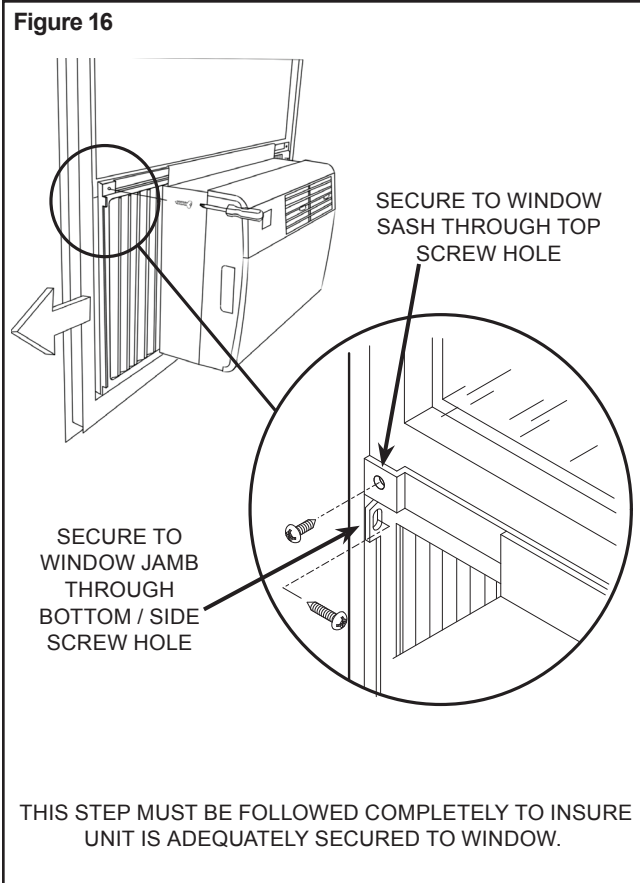
STEP 4. Place unit in window with the bottom support rail up against the back edge of the window sill. Center and close window sash onto upper support rail. The unit should be level or slightly tilted outside (1/4" tilt). (See Figure 15) NOTE: Depending on the type of window, install the appropriate security lock as recommended by manufacturer.

Figure 15



STEP 5. Extend side curtains to fill window. Secure outer top corner of both curtain (left and right) to window jamb and window sash using supplied screws. 1/2" screws (Item E in parts list) and 1 1/4" screws (Item F in parts list) have been provided to accommodate varying window types. (See Figure 16)

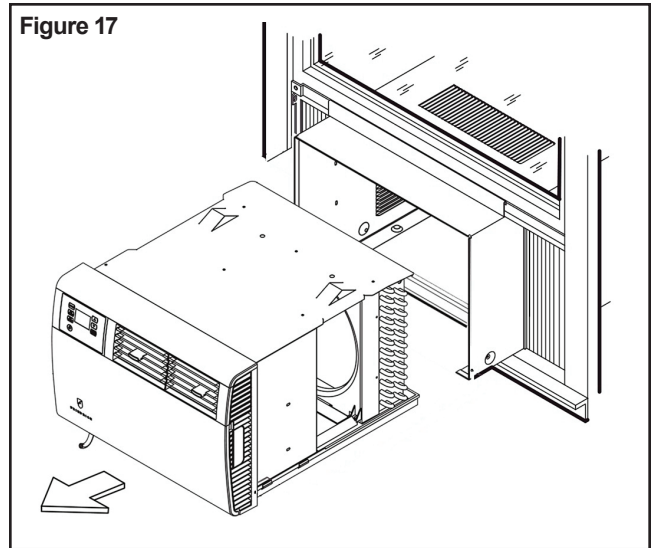
Figure 16



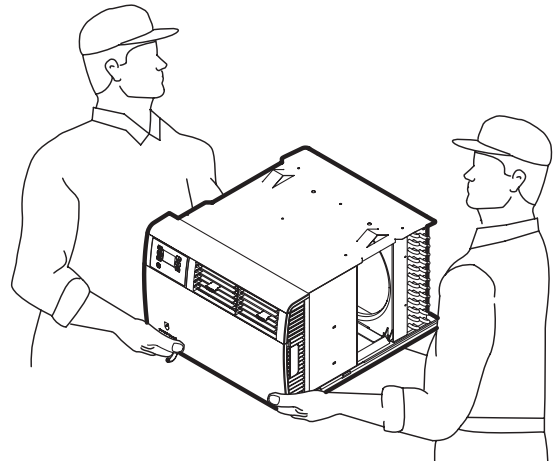
If you desire a more permanent installation, you can secure your curtains using both screw holes and your unit sleeve directly to the lower window stool using the instruction Steps 5.1 - 5.3 shown below. If you choose the standard installation already covered in Steps 1 - 5, then you can proceed to Step 6 found on Page 18.

STEP 5.1. Pull unit from sleeve, using the side handles located on either side of the decorative front. Obtain assistance as needed. Place unit out of the way on a secure, flat surface. (See Figure 17)

Figure 17



NOTE: WHEN REMOVING UNIT FROM SLEEVE AND CARRYING OR HANDLING UNIT, OBTAIN ASSISTANCE OR HELP AS NECESSARY TO SUPPORT UNIT FROM BOTTOM (BASEPAN), MAINTAINING CLEARANCE FROM ALL OBSTACLES. (See image below)



**⚠ CAUTION**



**Cut/Sever**

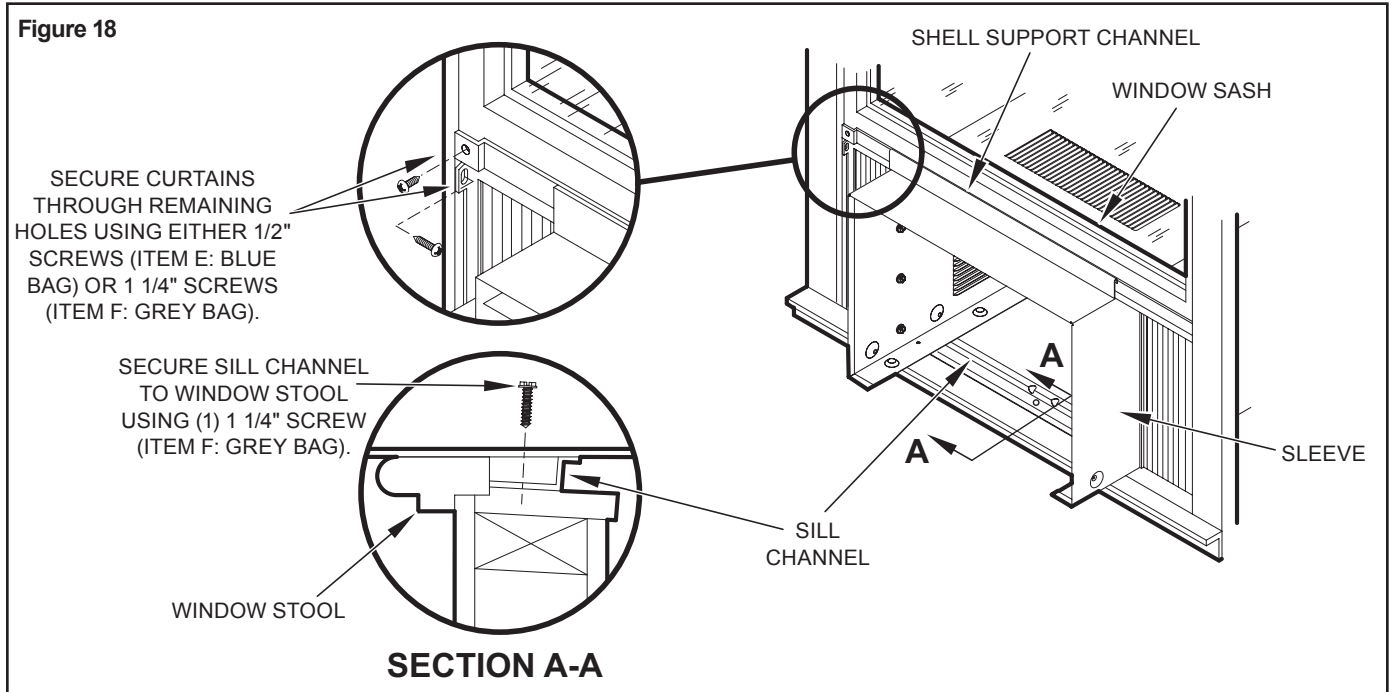
Although great care has been taken to minimize sharp edges in the construction of your unit, use gloves or other hand protection when handling unit. Failure to do so can result in minor to moderate personal injury.



STEP 5.2. Once unit is removed from sleeve, secure sleeve to window sill through screw hole in the bottom center of sill channel using 1 supplied 1 1/4" screw (F in parts list) . (See Figure 18 A-A)

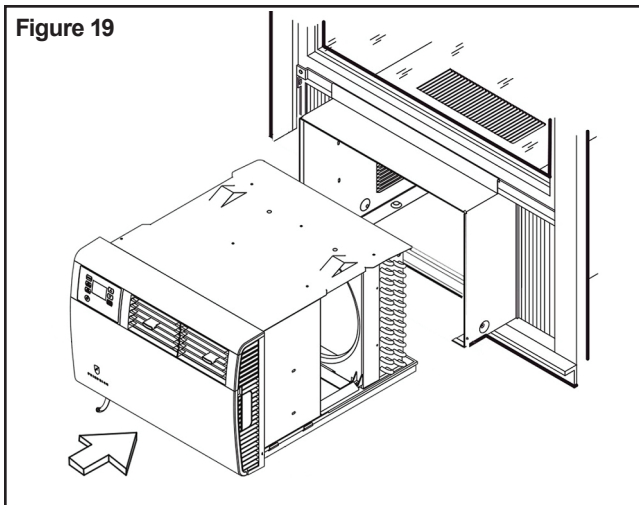
In Step 5, the window curtains were secured using 1 supplied screw per curtain (2 screws total). For a more permanent application, you may secure each curtain with an additional screw through the remaining screw hole, insuring each window curtain is secured to window jamb and sash with 2 screws each (4 screws total). Two sizes of screws (E and F in parts list) have been provided to accommodate varying window types. (See Figure 18)

NOTE: Securing the curtains using both screw hole locations may not work in certain window types. For those applications, use only 1 screw per curtain and install the appropriate security lock as recommended by window manufacturer.



STEP 5.3. Inspect unit prior to inserting back into sleeve. Manually rotate fan to see that it turns freely. Make sure electrical cord is positioned in the front of unit and out of the way when inserting it back into the sleeve.

Insert unit back into sleeve by positioning onto bottom rails of sleeve and pushing back into place. Obtain assistance as needed. (See Figure 19)



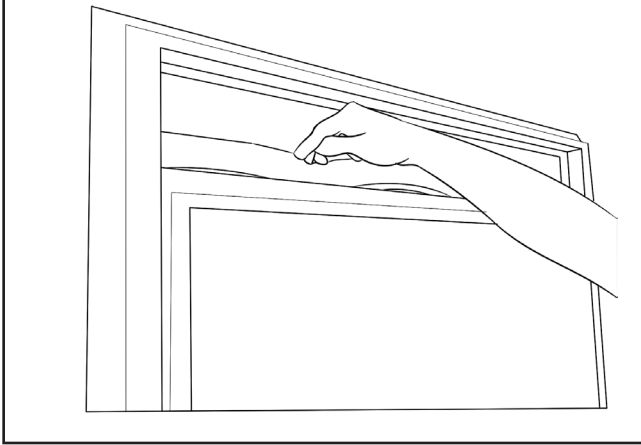
| <b>⚠ CAUTION</b> |  |
|------------------|--|
|                  | <p><b>Excessive Weight Hazard</b><br/>Use two or more people when installing your air conditioner.</p> <p>Failure to do so can result in back or other injury.</p> |

NOTE: WHEN CARRYING OR HANDLING UNIT, OBTAIN ASSISTANCE OR HELP AS NECESSARY TO SUPPORT UNIT FROM BOTTOM (BASEPAN), MAINTAINING CLEARANCE FROM ALL OBSTACLES.



STEP 6. Cut the window seal gasket (C in parts list) to match the window width and insert it between the window sashes as shown in Figure 20. .

Figure 20



STEP 7. **Plug in unit.**

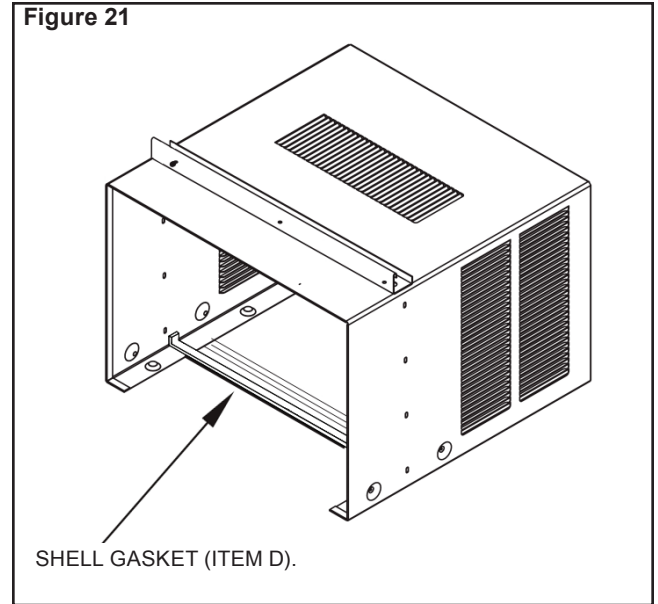
Now that installation is complete, your unit is ready to operate! Simply plug in the power cord and follow the operation steps outlined in this manual or your QuickStart Guide.

**CIRCUIT PROTECTION** - If the air conditioner is circuit protected by a fuse, use a "TIME DELAY" fuse or HACR type circuit breaker due to momentary high current demand when your air conditioner is started. Before operating your unit, verify the ampere rating of the time-delay fuse or circuit breaker which protects your unit. The ampere rating of the time-delay fuse or circuit breaker shall be 15 amps

Remove adhesive backing from supplied shell gasket (D in parts list) and place along the bottom sill channel, centered, extending up the sides of the shell. (see Figure 21).

Remove the new Kühl Q chassis from the new sleeve (as outlines in STEP 5.1 on page 17).and insert into previously installed sleeve. Obtain assistance as needed.

Figure 21

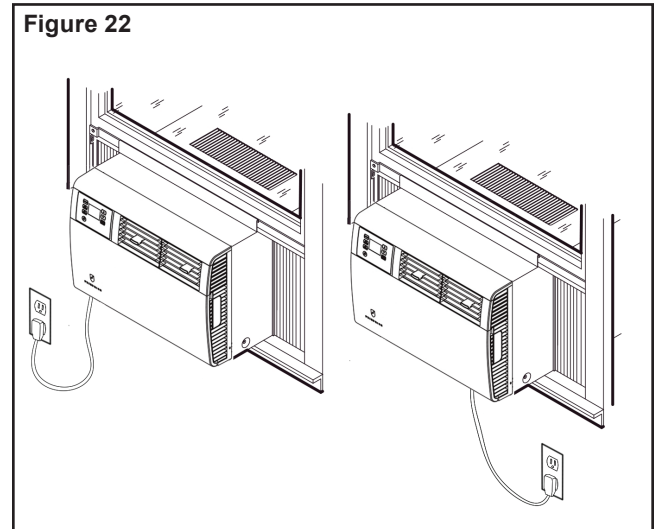


## Cord Routing Options

Your Kühl Q unit will come with the power cord already installed and routed to the left side of the unit.

For convenience and optimum appearance the direction of the power cord can be changed from left to right by following the procedure below. Select the exit location on the left or right based on proximity to the power outlet. (See Figure 22)

Figure 22



## ⚠ WARNING



### Electrical Shock Hazard

Make sure your electrical receptacle has the same configuration as your air conditioner's plug. If different, consult a Licensed Electrician.

- Do not use plug adapters.
- Do not use an extension cord.
- Do not remove ground prong.

Unplug unit prior to performing any service. Always plug into a grounded 3 prong outlet. Failure to follow these instructions can result in death, fire, or electrical shock.

## Replacement Installation Instructions

Your new Kühl Q chassis will fit in all previous Friedrich Q-size sleeves. Replacement installation instructions are the same for both window and thru-the-wall.

Inspect your existing Friedrich Q-size sleeve to ensure it is properly installed and in good condition.

## Cord Routing Change

### Unplug unit.

STEP 1. Remove the decorative front cover. (See A thru D and Figures 22A and 22B below)

- A. Open the decorative front cover.
- B. Locate and disconnect electronic control power cable harness.

### WARNING



#### Electrical Shock Hazard

Make sure your electrical receptacle has the same configuration as your air conditioner's plug. If different, consult a Licensed Electrician.

Do not use plug adapters.  
Do not use an extension cord.  
Do not remove ground prong.

Unplug unit prior to performing any service.  
Always plug into a grounded 3 prong outlet.  
Failure to follow these instructions can result in death, fire, or electrical shock.

Figure 22A

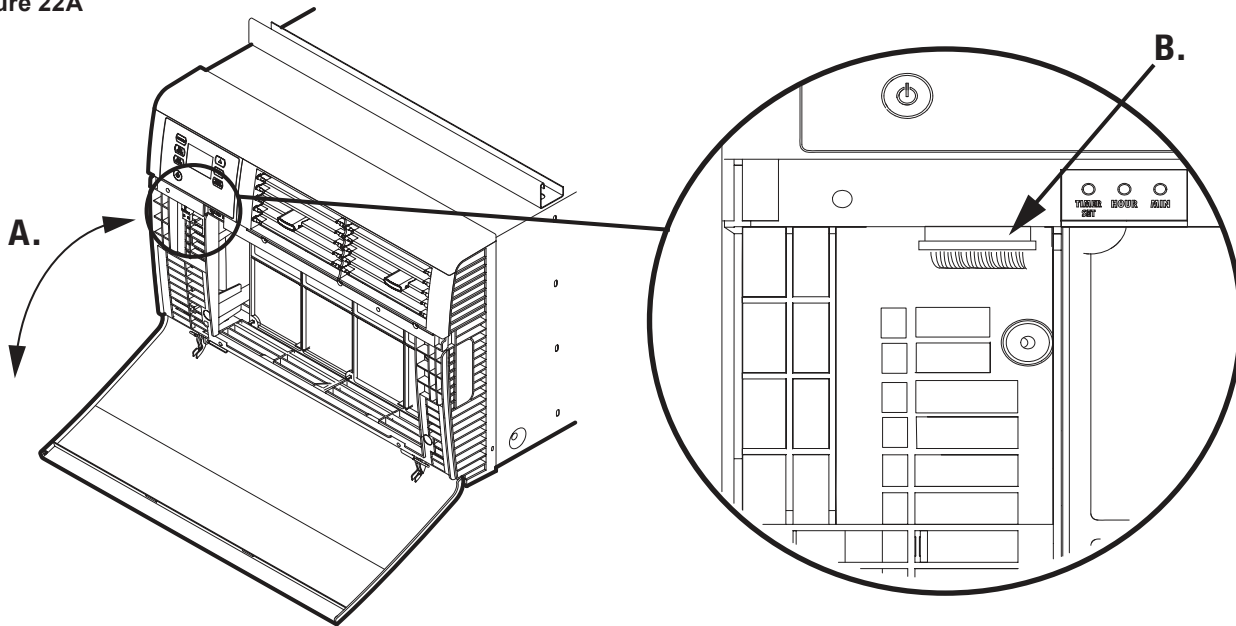
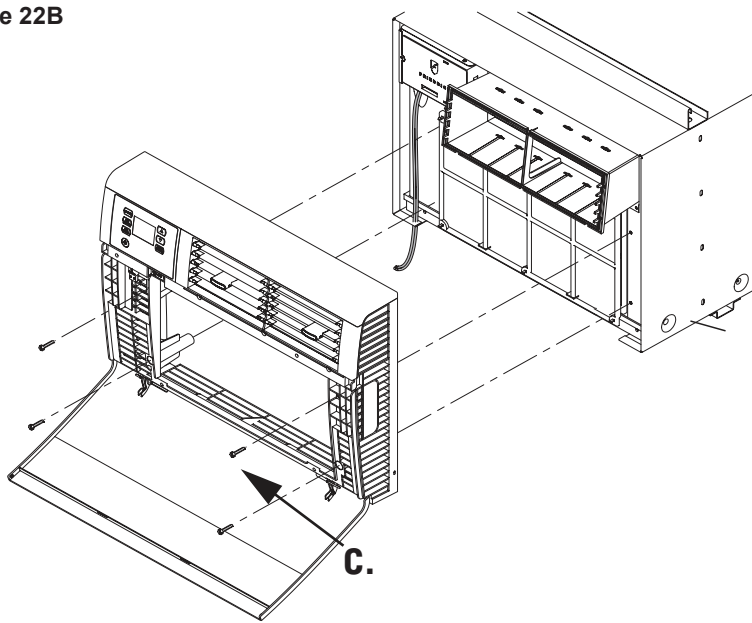


Figure 22B



C. Remove 4 screws attaching decorative front cover. Save to reinstall later..

D. Remove decorative front cover. Store in a safe place to reinstall later. (no image).

STEP 2. Route the cord along bottom inside of the unit (See Figures 23 and 24), under the lower left mounting screw embossments and exit the cord through right side cord opening (See Figure 25) of the decorative front cover. Decorative front cover will keep cord in place.

Figure 23

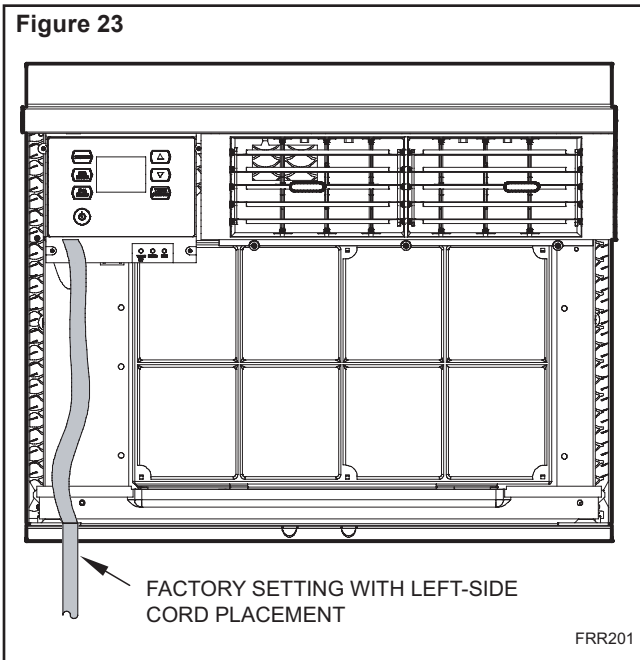
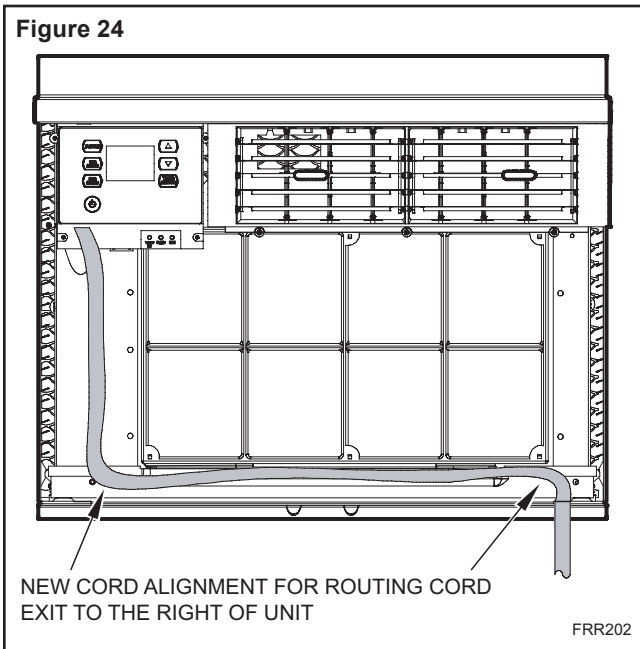
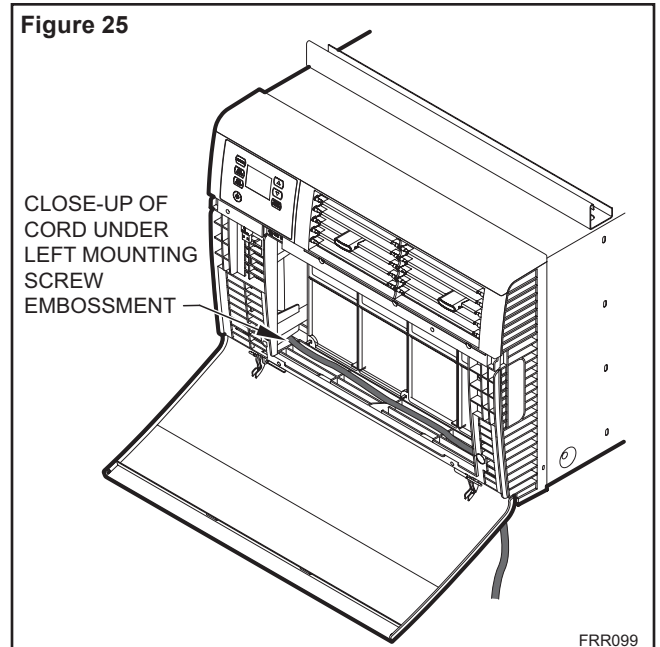


Figure 24



STEP 3. Reinstall the 4 screws removed earlier to secure decorative front cover with cord exiting to the front bottom of the unit. (4 screws RETAINED FROM STEP 1) and re-connect the power cable harness (disconnected in STEP 1).

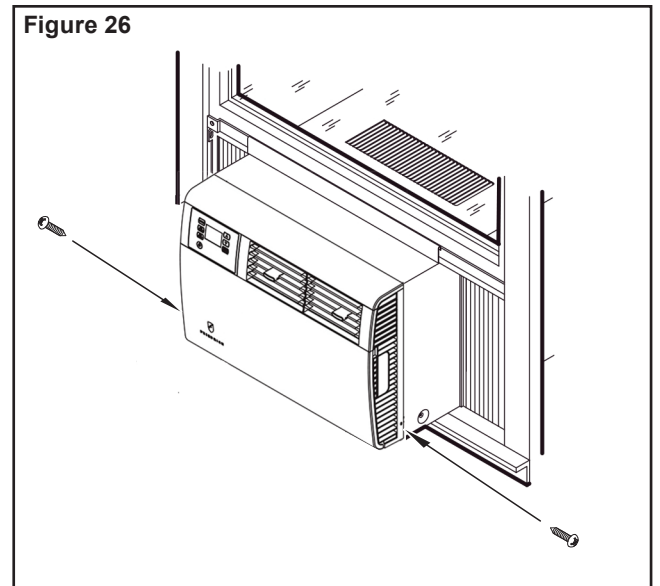
Figure 25



## EntryGuard Security Lock

For additional safety, your unit is equipped with EntryGuard™ protection, a feature that helps prevent kick-in intrusions. To engage this feature, use 2 supplied 1/2" screw (E in parts list) to secure decorative front cover to sleeve. (See Figure 26 for screw hole locations) .

Figure 26



# Thru-the-wall Installation

**IMPORTANT:** Some municipalities or jurisdictions require that window units are installed by licensed contractors. Check your local codes and ordinances prior to attempting installation.

**⚠ WARNING**

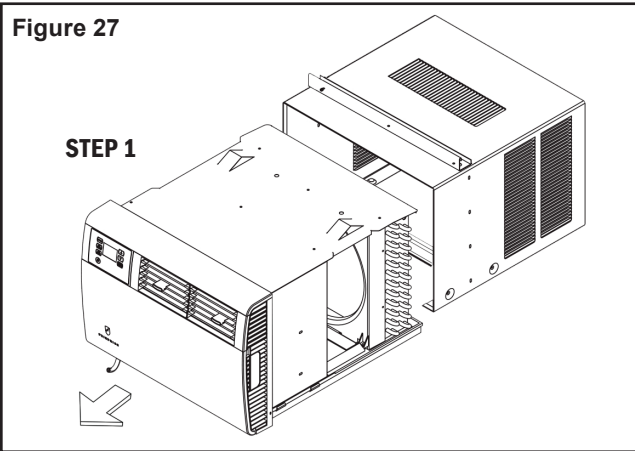


**Falling Object Hazard**

Not following Installation Instructions for mounting your air conditioner can result in property damage, injury, or death.

STEP 1. After removing the unit from shipping carton, slide chassis out of sleeve. (See Figure 27)

STEP 2. Remove shell channel from top of the sleeve. (See Figure 28)



STEP 3. LAYOUT - Cut and frame in an opening in the desired wall area using the illustration as a guide. (See Figure 29)

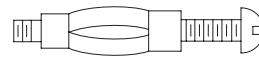
STEP 4. Place the sleeve in the framed opening.

**NOTE:** Measure and shim void spaces between the side of sleeve and wood framing before securing to wall.

STEP 5. Position the front edge to extend into the room 3/4" minimum at top of sleeve and 1" minimum at bottom (See Figure 30).

STEP 6. Secure each side of the sleeve with supplied 1 1/4" screw (F in parts list) or nails through the holes in the sides.

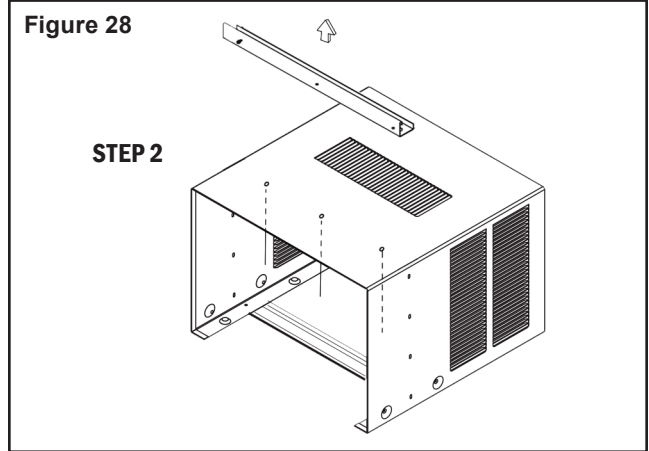
**NOTE:** Alternate fasteners which may be used for securing the unit sleeve to a wall, including masonry walls, are not furnished (available at local hardware stores).



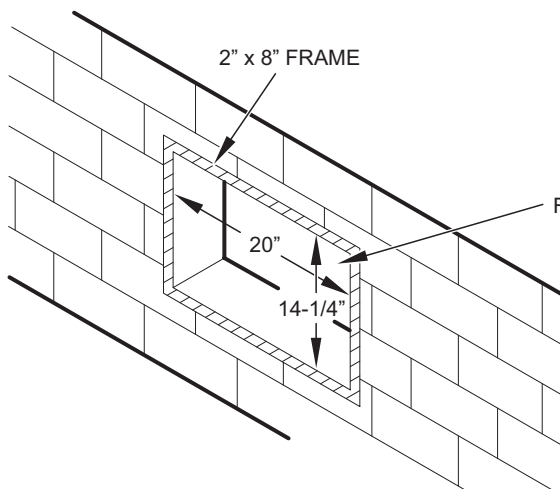
MOLLY OR TOGGLE BOLT



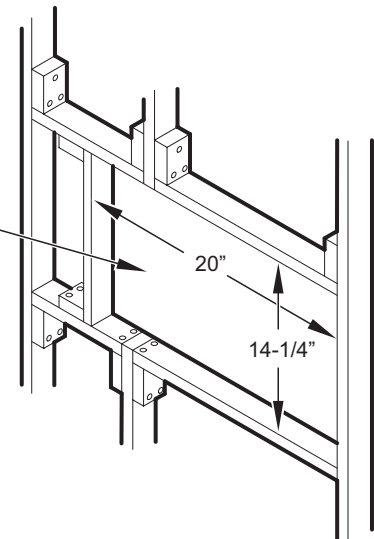
EXPANSION ANCHOR BOLT



**Figure 29**



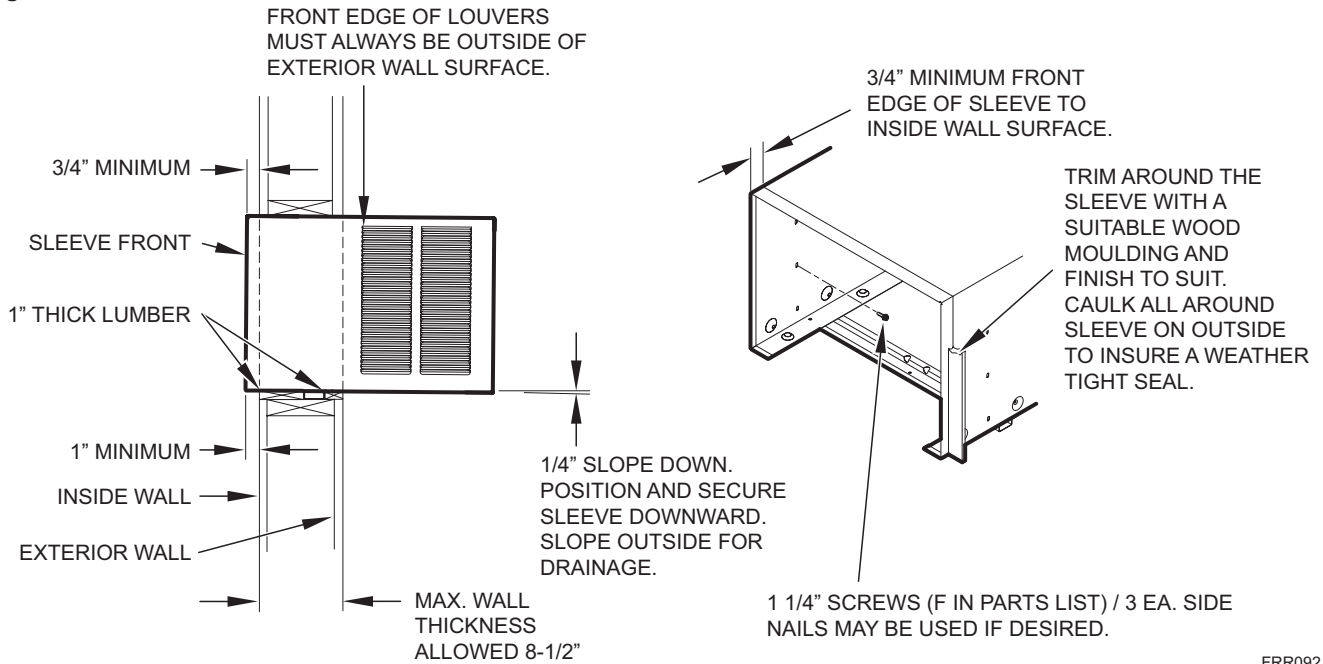
**CONCRETE BLOCK CONSTRUCTION**



**FRAME CONSTRUCTION**

FRR091

**Figure 30**



FRR092

STEP 7. Cut two pieces of standard 1" lumber (supplied by installer) to the length and width required. Place in front and back of bottom sill channel as shown in Figure 31. Secure with nails (supplied by installer).

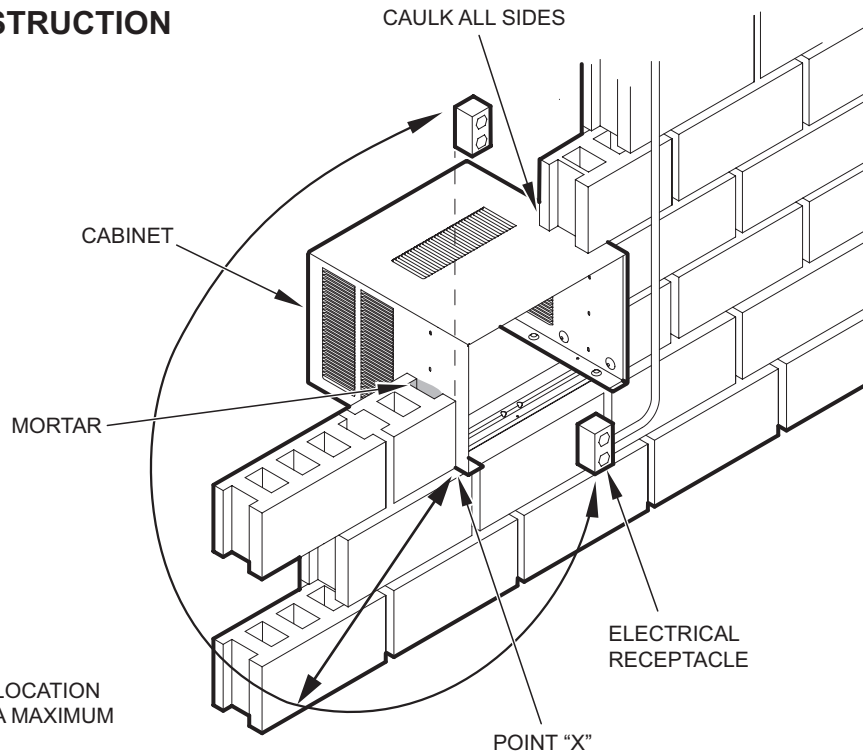
STEP 8. Seal all holes in the sleeve with caulking compound (supplied by installer).

STEP 9. Complete the installation by following STEPS 5.3 through 7 of Standard Window Installation (Page 18). Window seal gasket mentioned in STEP 6 will not be required.

**IMPORTANT:** Before operating your unit, read CIRCUIT PROTECTION of Standard Window Instructions, under STEP 7..

**Figure 31**

**SOLID MASONRY CONSTRUCTION**



**NOTE:** ELECTRICAL RECEPTACLE LOCATION FROM POINT "X" MUST BE WITHIN A MAXIMUM RADIUS OF 69" FOR 115V UNITS.

FRR093

---

## Final Inspection & Start-up Checklist

- ◆ Inspect and ensure that all components and accessories have been installed properly and that they have not been damaged during the installation progress.
- ◆ Check the condensate water drain(s) to ensure that they are adequate for the removal of condensate water, and that they meet the approval of the end user.
- ◆ Ensure that all installation instructions concerning clearances around the unit have been adhered to. Check to ensure that the unit air filter, indoor coil, and outdoor coil are free from any obstructions.
- ◆ Ensure that the circuit breaker(s) or fuse(s) and supply circuit wire size have been sized correctly. If the unit was supplied with a power supply cord, insure that it is stored properly.
- ◆ Ensure that the entire installation is in compliance with all applicable national and local codes and ordinances having jurisdiction.
- ◆ Secure components and accessories, such as a decorative front cover.
- ◆ Start the unit and check for proper operation of all components in each mode of operation.
- ◆ Instruct the owner or operator of the units operation, and the manufacturer's Routine Maintenance.

**NOTE:** A log for recording the dates of maintenance and/or service is recommended.

- ◆ Present the owner or operator of the equipment with the Installation & Operation Manual, all accessory installation instructions, and the name, address and telephone number of the Authorized Friedrich Warranty Service Company in the area for future reference if necessary.


### This is a warm weather appliance

Your air conditioner is designed to cool in warm weather when the outside temperature is above 60°F (15.6°C) and below 115°F (46.1°C), so it won't cool a room if it is already cool outside.

### Condensation is normal

Air conditioners actually pump the heat and humidity from your room to the outside. Humidity becomes water, and your air conditioner will use most of the water to keep the outside coil cool. If there is excessive humidity, there may be excess water that will drip outside. This is normal operation.

### Frosting

This usually occurs because of insufficient airflow across the coils, a dirty filter, cool damp weather, or all of these. Set the SYSTEM mode to FAN ONLY  and the frost will disappear. Setting the thermostat a little warmer will probably prevent the frosting from recurring.

### Noises

All air conditioners make some noise. Friedrich units are designed to operate as quietly as possible. An air conditioner mounted in a wall is quieter than one mounted in a window. It is important to ensure that the chassis seal gasket (Item 14) is properly installed (refer to installation instructions).



---

## Routine Maintenance

To ensure proper unit operation, the air filters should be cleaned at least monthly, and more frequently if conditions warrant. The unit must be turned off before the filters are cleaned.

### To Remove, Wash and Replace Filter

Lower front panel (See Figure 2). Use handle on filter to flex filter up and out of retainer. Remove filter from unit (See Figure 3). Clean filter monthly or more frequently if needed. Refer to accessories section for filter options.

### Coils & Chassis

**NOTE:** Do not use a caustic coil cleaning agent on coils or base pan. Use a biodegradable cleaning agent and degreaser. The use of harsh cleaning materials may lead to deterioration of the aluminum fins or the coil end plates.

The indoor coil and outdoor coils and base pan should be inspected periodically (annually or semi-annually) and cleaned of all debris (lint, dirt, leaves, paper, etc.) as necessary. Under extreme conditions, more frequent cleaning may be required. Clean the coils and base pan with a soft brush and compressed air or vacuum. A pressure washer may also be used, however, you must be careful not to bend the aluminum fin pack. Use a sweeping up and down motion in the direction of the vertical aluminum fin pack when pressure cleaning coils.

**NOTE:** It is extremely important to ensure that none of the electrical and/or electronic parts of the unit get wet. Be sure to cover all electrical components to protect them from water or spray.

### Decorative Front

The decorative front and discharge air grille may be cleaned with a mild soap or detergent. Do NOT use solvents or hydrocarbon based cleaners such as acetone, naphtha, gasoline, benzene, etc., to clean the decorative front or air discharge grilles.

Use a damp (not wet) cloth when cleaning the control area to prevent water from entering the unit, and possibly damaging the electronic control.

### Fan Motor & Compressor

The fan motor & compressor are permanently lubricated, and require no additional lubrication.

### Wall Sleeve

Inspect the inside of the wall sleeve and drain system periodically (annually or semi-annually) and clean as required. Under extreme conditions, more frequent cleaning may be necessary. Clean both of these areas with an antibacterial and antifungal cleaner. Rinse both items thoroughly with water and ensure that the drain outlets are operating correctly. Check the sealant around the sleeve and reseal areas as needed.

## Service and Assistance

Before calling for service, please check the "Troubleshooting Tips" section on the following page. This may help you to find the answer to your problem, avoid unnecessary service calls, and save you the cost of a service call if the problem is not due to the product itself.

You can find the name of your local Authorized Service Provider by visiting our web site at [www.friedrich.com](http://www.friedrich.com).

### If you require further assistance

You can call the Customer Support Call Center at **1-800-541-6645**.

Before calling, please make sure that you have the complete model and serial number, and date of purchase of your equipment available. By providing us with this information, we will be better able to assist you.

### Our specialists are able to assist you with:

- ◆ Specifications and Features of our equipment.
- ◆ Referrals to dealers, and distributors.
- ◆ Use and Care Information.
- ◆ Recommended maintenance procedures.
- ◆ Installation information.
- ◆ Referrals to Authorized Service Providers and Parts depots.

## Available Accessories

### Carbon Filter Kits

Each kit contains three (3) filters.

**KWCFQ** - Carbon filter kit for "Q" chassis models.

### Window Installation Kits

(Standard in Kühl Models without Heat)

**KWIKQA**

### FriedrichLink™ Adapter Accessory:

**KWIFI** - FriedrichLink™ Adapter Accessory for wireless control and additional programming options

### Decorative Color Front Panel Kits:

**KWBGEQA** - Q Model Decorative Front Cover in Classic Beige

**KWBKQA** - Q Model Decorative Front Cover in Black Onyx

**KWBQUQA** - Q Model Decorative Front Cover in Cobalt Blue

**KWPKNQA** - Q Model Decorative Front Cover in Pink Diamond

**KWREDQA** - Q Model Decorative Front Cover in Deep Red

**KWWHTQA** - Q Model Decorative Front Cover in Designer White

See [www.friedrich.com](http://www.friedrich.com) for additional accessories for your unit.

## Troubleshooting Tips

| COMPLAINT   | CAUSE  | SOLUTION  |
|---|--|---|
| Unit does not operate.  | The unit is turned to the off position, or the thermostat is satisfied.  | Turn the unit to the on position and raise or lower temperature setting (as appropriate) to call for operation.   |
|   | The LCDI power cord is unplugged.  | Plug into a properly grounded 3 prong receptacle. See "Electrical Rating Tables" on pg. 6 for the proper receptacle type for your unit.   |
|   | The LCDI power cord has tripped (Reset button has popped out).   | Press and release RESET (listen for click; Reset button latches and remains in) to resume operation.  |
|   | The circuit breaker has tripped or the supply circuit fuse has blown.  | Reset the circuit breaker, or replace the fuse as applicable. If the problem continues, contact a licensed electrician.   |
|   | There has been a local power failure.  | The unit will resume normal operation once power has been restored.   |
| Unit Trips Circuit Breaker or Blows Fuses.                                      | Other appliances are being used on the same circuit.   | The unit requires a dedicated outlet circuit, not shared with other appliances.   |
|   | An extension cord is being used.   | Do NOT use an extension cord with this or any other air conditioner.  |
|   | The circuit breaker or time-delay fuse is not of the proper rating.  | Replace with a circuit breaker or time-delay fuse of the proper rating. See "Electrical Rating Tables" on pg. 6 for the proper circuit breaker/fuse rating for your unit. If the problem continues, contact a licensed electrician. |
| LCDI Power Cord Trips (Reset Button Pops Out).                                  | The LCDI power cord can trip (Reset button pops out) due to disturbances on your power supply line.  | Press and release RESET (listen for click; Reset button latches and remains in) to resume normal operation.   |
|   | Electrical overload, overheating, or cord pinching can trip (Reset button pops out) the LCDI power cord.   | Once the problem has been determined and corrected, press and release RESET (listen for click; Reset button latches and remains in) to resume normal operation.   |
|   | NOTE: A damaged power supply cord must be replaced with a new power supply cord obtained from the product manufacturer and must not be repaired. |   |
| Unit Does Not Cool/Heat Room Sufficiently, Or Cycles On And Off Too Frequently. | The return/discharge air grille is blocked.  | Ensure that the return and/or discharge air paths are not blocked by curtains, blinds, furniture, etc.  |
|   | Windows or doors to the outside are open.  | Ensure that all windows and doors are closed.   |
|   | The temperature is not set at a cool enough/warm enough setting.   | Adjust the Temperature control to a cooler or warmer setting as necessary.  |
|   | The filter is dirty or obstructed.   | Clean the filter, (See Routine Maintenance), or remove obstruction.   |
|   | The indoor coil or outdoor coil is dirty or obstructed.  | Clean the coils, (See Routine Maintenance), or remove obstruction.  |
|   | There is excessive heat or moisture (cooking, showers, etc.) in the room.  | Be sure to use exhaust vent fans while cooking or bathing and, if possible, try not to use heat producing appliances during the hottest part of the day.  |
|   | The temperature of the room you are trying to cool is extremely hot.   | Allow additional time for the air conditioner to cool off a very hot room.  |



| COMPLAINT   | CAUSE  | SOLUTION  |
|---|--|---|
| Unit Does Not Cool/Heat Room Sufficiently, Or Cycles On And Off Too Frequently (continued). | The outside temperature is below 60°F (16° C).   | Do not try to operate your air conditioner in the cooling mode when the outside temperature is below 60°F (16° C). The unit will not cool properly, and the unit may be damaged.  |
|   | The digital control is set to fan cycling mode.  | Since the fan does not circulate the room air continuously at this setting, the room air does not mix as well and hot (or cold) spots may result. Using the continuous fan setting is recommended to obtain optimum comfort levels.   |
|   | The air conditioner has insufficient cooling capacity to match the heat gain of the room.  | Check the cooling capacity of your unit to ensure it is properly sized for the room in which it is installed. Room air conditioners are not designed to cool multiple rooms.  |
|   | The air conditioner has insufficient heating capacity to match the heat loss of the room.  | Check the heating capacity of your unit. Air conditioners are sized to meet the cooling load, and heater size is then selected to meet the heating load. In extreme northern climates, room air conditioners may not be able to be used as a primary source of heat.                                      |
| Unit Runs Too Much.   | This may be due to an excessive heat load in the room.   | If there are heat producing appliances in use in the room, or if the room is heavily occupied, the unit will need to run longer to remove the additional heat.  |
|   | It may also be due to an improperly sized unit.  | Be sure to use exhaust vent fans while cooking or bathing and, if possible, try not to use heat producing appliances during the hottest part of the day.  |
|   | This may be normal for higher efficiency (EER) air conditioners.   | The use of higher efficiency components in your new air conditioner may result in the unit running longer than you feel it should. This may be more apparent, if it replaced an older, less efficient, model. The actual energy usage, however, will be significantly less when compared to older models. |
|   | You may notice that the discharge air temperature of your new air conditioner may not seem as cold as you may be accustomed to from older units. This does not, however, indicate a reduction in the cooling capacity of the unit. | The energy efficiency ratio (EER) and cooling capacity rating (Btu/h) listed on the unit's rating plate are both agency certified.  |



---

**Friedrich Air Conditioning Company  
10001 Reunion Place, Suite 500  
San Antonio, TX 78216**

**1-800-541-6645  
www.friedrich.com**

**ROOM AIR CONDITIONERS**

**LIMITED WARRANTY**

**FIRST YEAR**

**ANY PART:** If any part supplied by FRIEDRICH fails because of a defect in workmanship or material within twelve months from date of original purchase, FRIEDRICH will repair the product at no charge, provided room air conditioner is reasonably accessible for service. Any additional labor cost for removing inaccessible units and/or charges for mileage related to travel by a Service Agency that exceeds 25 miles one way will be the responsibility of the owner. This remedy is expressly agreed to be the exclusive remedy within twelve months from the date of the original purchase.

**SECOND THROUGH FIFTH YEAR**

**SEALED REFRIGERANT SYSTEM:** If the Sealed Refrigeration System (defined for this purpose as the compressor, condenser coil, evaporator coil, reversing valve, check valve, capillary, filter drier, and all interconnecting tubing) supplied by FRIEDRICH in your Room Air Conditioner fails because of a defect in workmanship or material within sixty months from date of purchase, FRIEDRICH will pay a labor allowance and parts necessary to repair the Sealed Refrigeration System; PROVIDED FRIEDRICH will not pay the cost of diagnosis of the problem, removal, freight charges, and transportation of the air conditioner to and from the Service Agency, and the reinstallation charges associated with repair of the Sealed Refrigeration System. All such cost will be the sole responsibility of the owner. This remedy is expressly agreed to be the exclusive remedy within sixty months from the date of the original purchase.

**APPLICABILITY AND LIMITATIONS:** This warranty is applicable only to units retained within the Fifty States of the U.S.A., District of Columbia, and Canada. This warranty is not applicable to:

1. Air filters or fuses.
2. Products on which the model and serial numbers have been removed.
3. Products which have defects or damage which results from improper installation, wiring, electrical current characteristics, or maintenance; or caused by accident, misuse or abuse, fire, flood, alterations and/or misapplication of the product and/or units installed in a corrosive atmosphere, default or delay in performance caused by war, government restrictions or restraints, strikes, material shortages beyond the control of FRIEDRICH, or acts of God.

**OBTAINING WARRANTY PERFORMANCE:** Service will be provided by the FRIEDRICH Authorized Dealer or Service Organization in your area. They are listed in the Yellow Pages. If assistance is required in obtaining warranty performance, write to: Room Air Conditioner Service Manager, Friedrich Air Conditioning Co.

**LIMITATIONS: THIS WARRANTY IS GIVEN IN LIEU OF ALL OTHER WARRANTIES.** Anything in the warranty notwithstanding, ANY IMPLIED WARRANTIES OF FITNESS FOR PARTICULAR PURPOSE AND/OR MERCHANTABILITY SHALL BE LIMITED TO THE DURATION OF THIS EXPRESS WARRANTY. MANUFACTURER EXPRESSLY DISCLAIMS AND EXCLUDES ANY LIABILITY FOR CONSEQUENTIAL OR INCIDENTAL DAMAGE FOR BREACH OF ANY EXPRESSED OR IMPLIED WARRANTY.

**NOTE:** Some states do not allow limitations on how long an implied warranty lasts, or do not allow the limitation or exclusion of consequential or incidental damages, so the foregoing exclusions and limitations may not apply to you.

**OTHER:** This warranty gives you specific legal rights, and you may also have other rights which vary from state to state.

**PROOF OF PURCHASE:** Owner must provide proof of purchase in order to receive any warranty related services.

All service calls for explaining the operation of this product will be the sole responsibility of the consumer.

All warranty service must be provided by an Authorized FRIEDRICH Service Agency, unless authorized by FRIEDRICH prior to repairs being made.



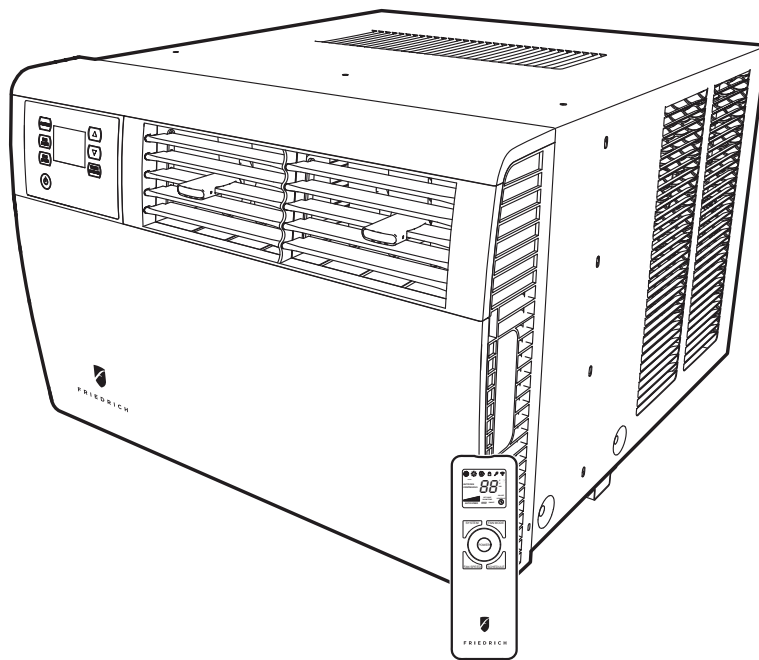
**Friedrich Air Conditioning Co.**  
**10001 Reunion Place, Suite 500 • San Antonio, Texas 78216**  
**1-800-541-6645**  
**[www.friedrich.com](http://www.friedrich.com)**

**Printed in the U.S.A.**



F R I E D R I C H

## Unidades de Aire Acondicionado



### Modelos Q Chassis

---

**Kühl**

115-Voltios: SQ05, SQ06, SQ08

---

**Kühl +**

115-Voltios: EQ08

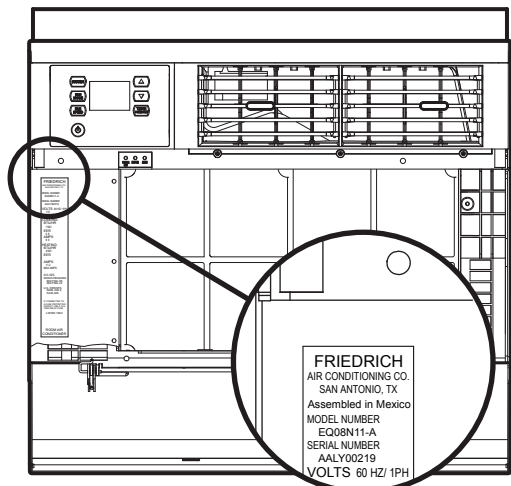
---

Frío & Calor Eléctrico

---

Gracias por su decisión de comprar el Aire Acondicionado de Alta Eficiencia Friedrich. Su nuevo Friedrich ha sido cuidadosamente diseñado y fabricado para darle muchos años de funcionamiento confiable y eficiente, manteniendo una temperatura y nivel de humedad confortables. Se han incorporado muchas características adicionales a la unidad para garantizar un funcionamiento silencioso, la mayor circulación de aire frío y seco, y el funcionamiento más económico.

GRACIAS, a nombre de toda nuestra empresa,  
por hacer una compra tan inteligente.



**Registre su aire acondicionado**

La información del modelo se puede encontrar en la placa de identificación detrás de la tapa frontal.

Favor de llenar y enviar la tarjeta de registro proporcionada con este producto, o registrarse en línea en [www.friedrich.com](http://www.friedrich.com). Para su futura comodidad, registre la información del modelo aquí.

---

NÚMERO DE MODELO

---

NÚMERO DE SERIE

---

FECHA DE COMPRA

---

# Índice



|  |    |
|--|----|
| Índice .....   | 33 |
| Medidas de Seguridad .....   | 34 |
| ADVERTENCIA: Antes de Operar su Unidad .....   | 35 |
| Limpieza del Filtro Estándar / Instrucciones de Instalación .....  | 36 |
| Instrucciones de Instalación del Filtro de Carbono Premium .....   | 36 |
| Instrucciones de Funcionamiento del Panel de Control .....   | 37 |
| Funcionamiento del Control Remoto .....  | 42 |
| Efectividad del Control Remoto .....   | 42 |
| Selección y Ajuste del Flujo de Aire .....   | 44 |
| Instrucciones de Instalación .....   | 44 |
| Artículos Requeridos Para la Instalación (proporcionados en las unidades de enfriamiento directo únicamente) ..... | 45 |
| Instalación de Ventana Estándar .....  | 46 |
| Opciones de Cableado .....   | 49 |
| Cambio de Enrutamiento del Cable .....   | 50 |
| Instalación a Través de la Pared .....   | 52 |
| Inspección Final & Lista de Verificación de Arranque .....   | 54 |
| Mantenimiento de Rutina .....  | 55 |
| Servicio y Asistencia .....  | 55 |
| Accesorios Disponibles .....   | 55 |
| Consejos Para Solucionar Problemas .....   | 56 |
| Anexo 1 .....  | 58 |

# Medidas de Seguridad

**Su seguridad y la seguridad de los demás son muy importantes.**

Hemos proporcionado muchos mensajes de seguridad importantes en este manual y en su electrodoméstico. Siempre lea y obedezca todos los mensajes de seguridad.

Este es un símbolo de alerta de seguridad.  
 Este símbolo le advierte de los peligros potenciales que pueden matar o lastimar a usted y a los demás.  
 Todos los mensajes de seguridad le seguirán al símbolo de alerta de seguridad con la palabra "ADVERTENCIA" o "PRECAUCIÓN". Estas palabras significan:

|   |   |
|---|---|
| <br><b>ADVERTENCIA</b> | Indica un peligro que, de no evitarse, puede resultar en lesiones personales graves o en la muerte y en daños al producto u otros bienes. |
| <br><b>PRECAUCIÓN</b>  | Indica un peligro que, de no evitarse, puede resultar en lesiones personales y en daños al producto u otros bienes.                       |

Todos los mensajes de seguridad le dirán cuál es el peligro potencial, le dirán cómo reducir el riesgo de lesiones, y le dirán lo que sucederá si no se siguen las instrucciones.

|              |  |
|--------------|--|
| <b>AVISO</b> | Indica que le pueden ocurrir daños a los bienes si no se siguen las instrucciones. |
|--------------|--|

|  |  |
|--|--|
|  <b>ADVERTENCIA</b> |  |
|                   | <p style="text-align: center;"><b>Sistema de enfriamiento bajo alta presión</b></p> <p>No perforar, calentar, exponer a las llamas o incinerar. Únicamente los técnicos certificados en refrigeración deben reparar este equipo.</p> <p>Los sistemas R410A funcionan a presiones más altas que el equipo R22. Se deben utilizar prácticas adecuadas de servicio y manejo seguro.</p> <p>Únicamente utilice los medidores de presión diseñados para su uso con R410A. No utilice los medidores de presión estándar R22.</p> |

|                           |   |   |   |
|---------------------------|---|---|---|
| <b>THINK SAFETY FIRST</b> |  <b>WARNING</b>        |  <b>AVERTISSEMENT</b>  |  <b>ADVERTENCIA</b>                                    |
|                           | Do not remove, disable or bypass this unit's safety devices. Doing so may cause, fire, injuries or death. | Ne pas supprimer, désactiver ou contourner cette l'unité des dispositifs de sécurité. faire vous risqueriez de provoquer, le feu, les blessures ou la mort. | No eliminar, desactivar o pasar por alto los dispositivos de seguridad de la unidad. Si lo hace podría producirse fuego, lesiones o muerte. |



## ADVERTENCIA: Antes de Operar Su Unidad

Asegúrese de que el cableado sea adecuado para su unidad.

Si tiene fusibles, deben ser del tipo de retardo. Antes de instalar o trasladar esta unidad, asegúrese de que el amperaje del interruptor o el fusible de retardo no superen el amperaje en el Cuadro 1.

**NO utilice un cable de extensión.**

El cable proporcionado le suministrará la cantidad de energía eléctrica adecuada a la unidad; puede que un cable de extensión no.

**Asegúrese de que la toma de corriente sea compatible con el enchufe del aire acondicionado proporcionado.**

Esto garantiza una conexión a tierra adecuada. Si usted tiene una toma de corriente de dos clavijas, tendrá que solicitar que un electricista certificado se lo sustituya por una toma de corriente conectada a tierra. La toma de corriente conectada a tierra debe cumplir con todos los códigos y reglamentos locales y nacionales. Bajo ninguna circunstancia se deberá quitar la clavija de tierra del enchufe. Debe utilizar el enchufe de tres clavijas suministrado con el aire acondicionado.

**Pruebe el cable de alimentación**

Todas las unidades de aire acondicionado Friedrich salen de fábrica con un cable de alimentación equipado con un Interruptor de Detección de Fugas de Corriente (LCDI, en inglés). El dispositivo LCDI cumple con los requisitos de UL y NEC para aires acondicionados conectados mediante cable a partir de agosto de 2004.

Para probar el cable de alimentación:

1. Enchufar el cable de alimentación a una toma de corriente de 3 clavijas con conexión a tierra.
2. Oprimir el botón RESET (Ver Diagrama 1).
3. Oprimir el botón TEST, escuchar el chasquido; el botón RESET se detona y se bota.
4. Oprimir y soltar el botón RESET (Escuchar el chasquido; el botón RESET se traba y permanece adentro). El cable de alimentación está listo para su uso.

Una vez conectada, la unidad funcionará con normalidad sin necesidad de reiniciar el dispositivo LCDI.


Si el dispositivo LCDI no se detona al ponerse a prueba o si el cable de alimentación está dañado, debe ser sustituido por un nuevo cable de alimentación del fabricante. Póngase en contacto con nuestra Línea de Asistencia Técnica al (800) 541-6645.

Para agilizar el servicio, por favor tenga su número de modelo a la mano.

### AVISO

No utilizar el dispositivo LCDI como un interruptor de ENCENDIDO/APAGADO.

El incumplimiento de esta precaución puede ocasionar que el equipo falle de forma prematura.

| Cuadro 1.                  |   |      |                             |   |
|----------------------------|---|------|-----------------------------|---|
| MODELO                     | CAPACIDAD DEL CIRCUITO O FUSIBLE DE RETARDO |      | TOMA DE CORRIENTE REQUERIDA |   |
|                            | AMP   | VOLT | NO. NEMA                    |   |
| XQ05 - XQ06<br>XQ08 - XQ08 | 15  | 125  | 5-15P                       |  |

### ⚠ ADVERTENCIA



#### Peligro de Descarga Eléctrica

Asegurarse de que su toma de corriente eléctrica tenga la misma configuración que el enchufe de su aire acondicionado. Si es diferente, consultar a un Electricista Certificado.

No utilizar adaptadores de enchufe.  
No utilizar un cable de extensión.  
No quitar la clavija de tierra.

Conectar siempre a una toma de corriente de 3 clavijas con conexión a tierra.

El incumplimiento de estas instrucciones puede ocasionar la muerte, un incendio o una descarga eléctrica.

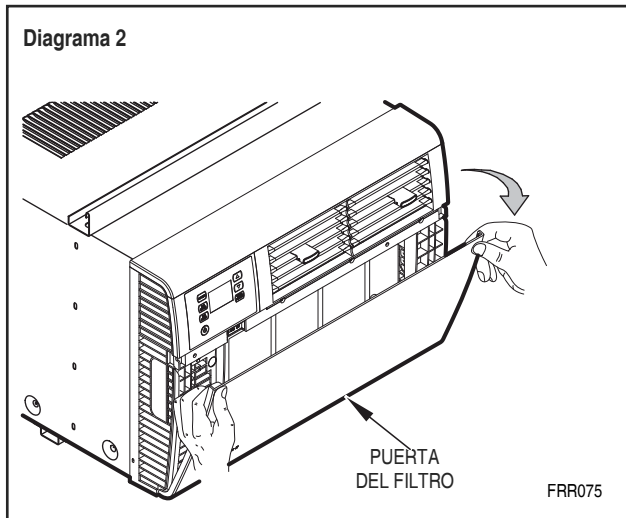
Diagrama 1



FRR072

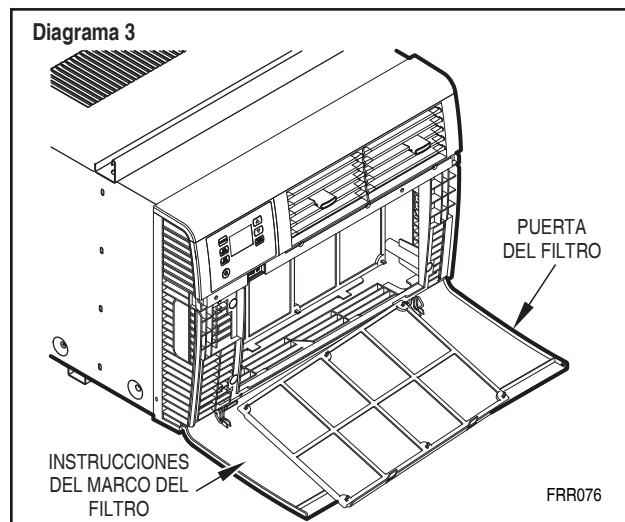
## Limpieza del Filtro Estándar / Instrucciones de Instalación

**PASO 1.** Jalar para abrir la puerta y quitar el filtro de malla sujetando el mango del filtro y empujando el soporte del filtro hacia arriba y hacia afuera.



**PASO 2.** Limpiar el marco frontal, lavando la suciedad del filtro. Usar una solución de jabón suave si es necesario. Permitir que el filtro se seque.

**PASO 3.** Instalar el filtro de vuelta en la unidad. Seguir las instrucciones de cambio de filtro en el interior de la puerta delantera.



## Instrucciones de Instalación del Filtro de Carbono Premium

Por favor, siga las siguientes instrucciones para instalar el filtro de carbono Friedrich. El filtro de carbono debe ser reemplazado después de 300 horas de funcionamiento, 3 meses, o con mayor frecuencia si es necesario para la eficacia máxima.

Cuando reemplace el filtro de carbono, limpiar el filtro de malla lavable si está sucio. Permita que el filtro de malla se seque antes de reinsertar.

**PASO 1.** Quitar el marco del filtro de plástico negro de la unidad siguiendo las instrucciones en el interior de la puerta del filtro. (El filtro de malla lavable viene incluido y se sujeta de manera permanente al marco del filtro).

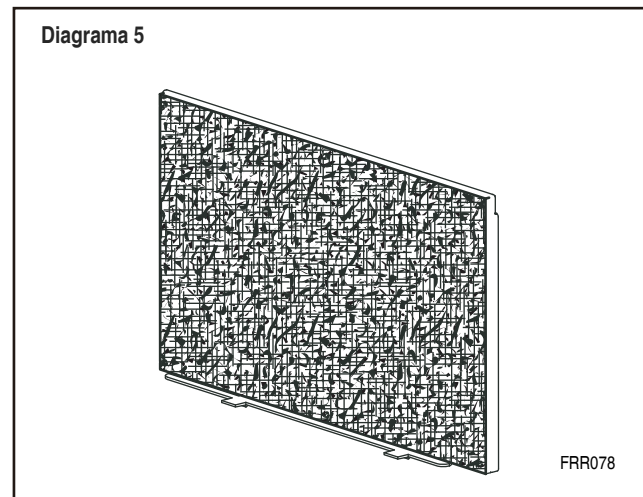
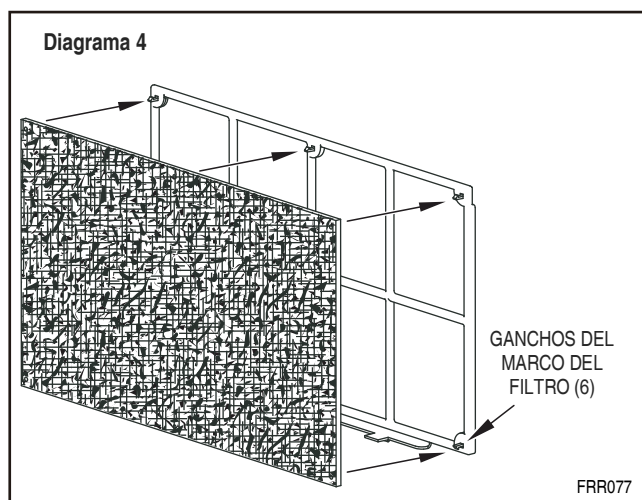
**PASO 2.** Colocar el marco del filtro de plástico negro sobre una superficie plana, con los 6 ganchos del marco del filtro hacia arriba.

Colocar el filtro de carbono sobre el marco del filtro de manera que los 6 de agujeros de instalación del filtro de carbono estén alineados con los 6 ganchos del marco del filtro. (Diagrama 4)

Afianzar el filtro de carbono al marco del filtro. Asegurarse de que todos los 6 ganchos del marco del filtro se inserten a través de los 6 agujeros de instalación del filtro de carbono. Los ganchos de instalación sostendrán el filtro de forma segura.

**PASO 3.** Colocar de vuelta el marco del filtro de plástico negro con el filtro de carbono instalado (Diagrama 5) en la parte frontal de la unidad, siguiendo las instrucciones en el interior de la puerta del filtro.

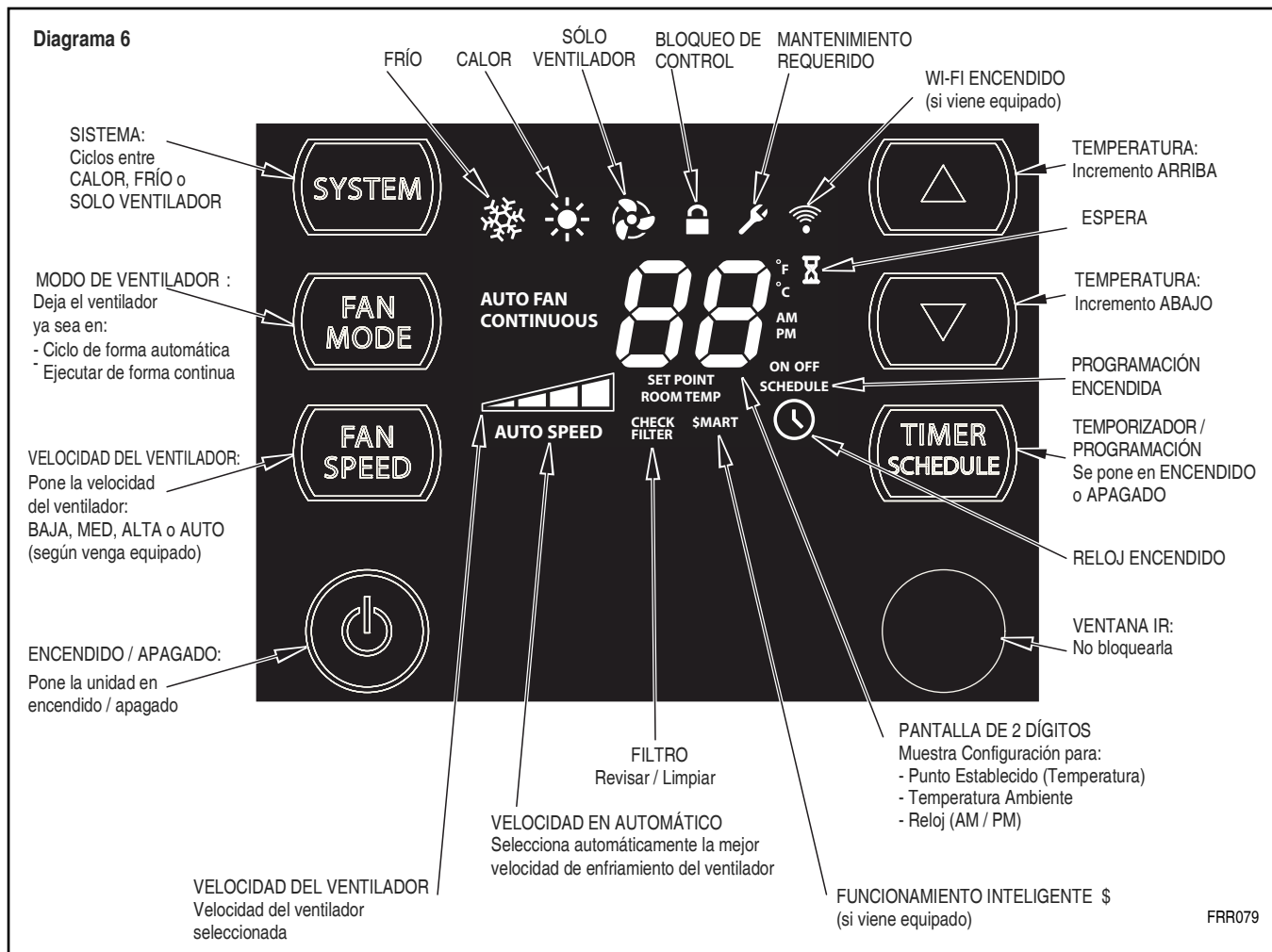
¡El filtro de carbono ya está listo para su uso!



# Funcionamiento del Panel de Control

Todos los botones de función del panel de control y los íconos modo se pueden ver en el Diagrama 6.

**Pantalla** –La luz de fondo tiene una función automática de difuminación de dos (2) etapas. Después de 15 segundos de inactividad, la pantalla se difumina al 20% de intensidad. Después de un período adicional de 120 segundos, la pantalla se apaga. Al tocar cualquier botón la pantalla cambia automáticamente a su brillo máximo.



## Funciones Basicas

**SISTEMA** - El botón de **SYSTEM** le permite seleccionar secuencialmente tres modos de funcionamiento:

- FRÍO ❄️
- CALOR ☀️ No disponible en algunos modelos
- SOLO VENTILADOR 🌀

**MODO VENTILADOR** – El botón **FAN MODE** le permite seleccionar entre los modos **AUTO FAN** y **CONTINUOUS**. le permite seleccionar entre los (debe estar en el modo de enfriamiento o calor)

- AUTOFAN: el ventilador se prende y apaga con el compresor
- CONTINUOUS: ventilador funciona todo el tiempo.

**VELOCIDAD DEL VENTILADOR** – El botón **FAN SPEED** le permite alternar entre cuatro modos de funcionamiento: BAJA, MEDIA, ALTA y AUTO.



**ARRIBA** ▲ y **ABAJO** ▼ – flechas – Al oprimir el botón ▲ o ▼ cambia el punto establecido del sistema (temperatura ambiente deseada). Presione una vez para cambiar 1 grado a la vez o mantenga presionado para cambiar a un ritmo más rápido. Los límites de temperatura inferior y superior son 60 ° F ( 16 ° C ) y 99 ° F ( 37 ° C ) ( Estos botones se utilizan también para otras funciones se explica más adelante en esta sección)

## Programacion de horario

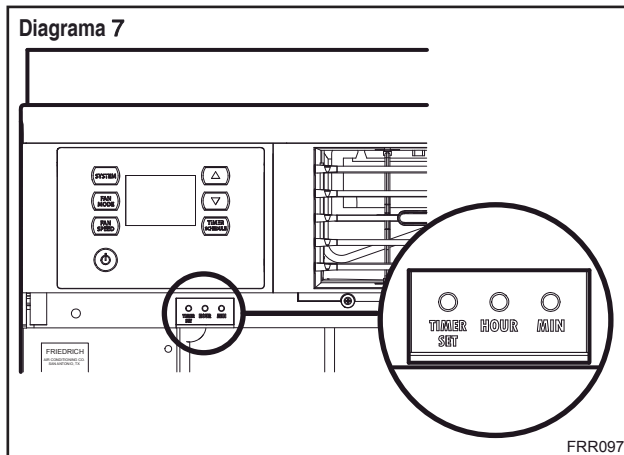
le permite seleccionar entre 24 Hora (predeterminado ) o una de las opciones pre-programados de energía . Al pulsar este botón se activará el seleccionado TEMPORIZADOS o HORARIO . Los detalles se explican en la siguiente sección .

FRF095

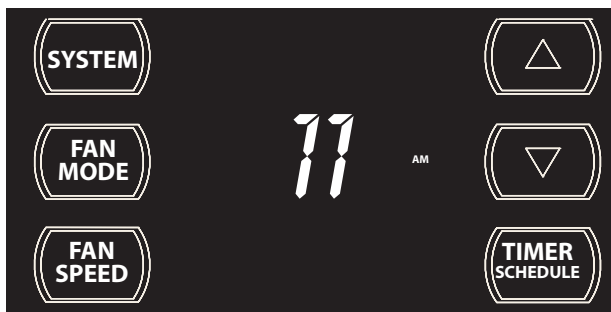
## OTRAS FUNCIONES

Para utilizar las funciones avanzadas, como el temporizador o planificador, primero debe establecer la hora y el día en su unidad .

**ESTABLECER HORA** – Para ajustar la hora de la unidad, mantener oprimidos los botones de HORA y MIN durante tres segundos (Ver Diagrama 7).

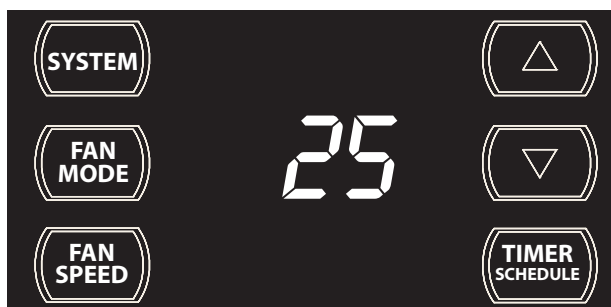


Las pantallas de las horas actuales de la unidad. Utilice los botones ▲ o ▼ para ajustar la hora. Para cambiar de AM a PM, continúe incrementando (girando) la pantalla. Oprimir el botón TEMPORIZADOR ESTABLECIDO o "TIMER SET" (Vea el Diagrama 7) para visualizar los minutos actuales de la unidad.



FRR128

Utilice los botones ▼ o ▲ para ajustar los minutos. El reloj ya está fijado a las 11:25 AM. Oprimir el botón TEMPORIZADOR ESTABLECIDO (Vea el Diagrama 8) para visualizar la configuración del día de la unidad.



FRR129

Utilice los botones ▲ o ▼ para ajustar el día (1 a 7). La configuración del día le corresponde a usted el usuario. Si establece el día de hoy = 1, y hoy es martes, entonces el Día 1 = martes.

*Ambos horarios preprogramados son personalizables ( se discute a continuación ) operan con este ajuste. Es crucial establecer el día correctamente si cualquier horario se va a utilizar .*



FRR130

Pulse el botón SET TIMER para salir y guardar la hora programada y el día . El botón TIMER SET se debe presionar dentro de los primeros 15 segundos o el límite de tiempo se acabara y volvera a la pantalla de funcionamiento normal .

## Temporizador de 24 horas

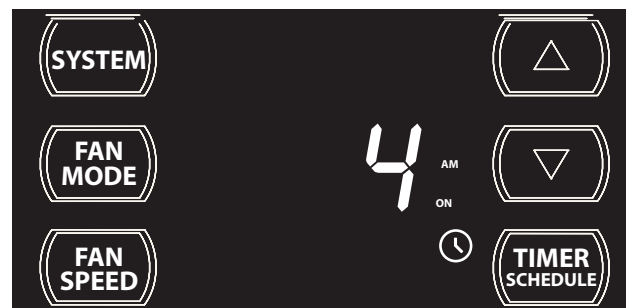
El programa predeterminado para el botón la programación del TEMPORIZADOR es de 24 horas.

Se le permite configurar todos los días horas de ENCENDIDO y APAGADO. Por ejemplo, se puede programar la unidad para encender a las 8:15 am y apagar a la 1:30 pm todos los días. El inicio y apagado de el tiempo se puede definir, pero el modo de sistema , velocidad del ventilador y punto de ajuste no se puede establecer y será por defecto el último ajuste utilizado .

## Temporizador: Configuración de la hora de inicio

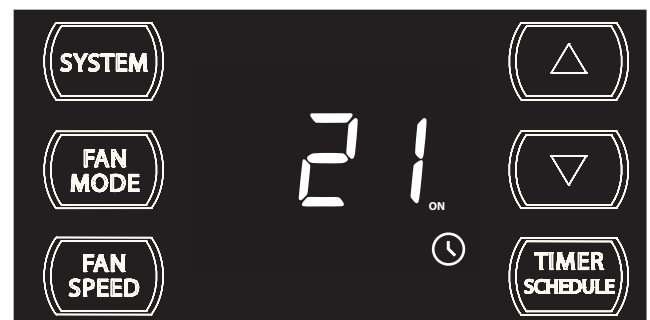
Mantenga pulsado el botón HOUR (Figura 7) durante 3 segundos. El icono ⌚ y "ON" aparecerá en la pantalla.

Pulse el botón ▲ o ▼ para ajustar la hora . Pulse el botón TIMER SET (Figura 7) para guardar la configuración de hora e ir a minuto . El siguiente ejemplo muestra la hora inicio a las 4 de la mañana.



FRR141

Utilice el botón ▲ o ▼ para ajustar los minutos . Pulse el botón TIMER SET (Figura 7) dentro de los 15 segundos para salir y guardar la configuración. El siguiente ejemplo se ha fijado para encender a las 4:21 de la mañana, una vez activado el temporizador.



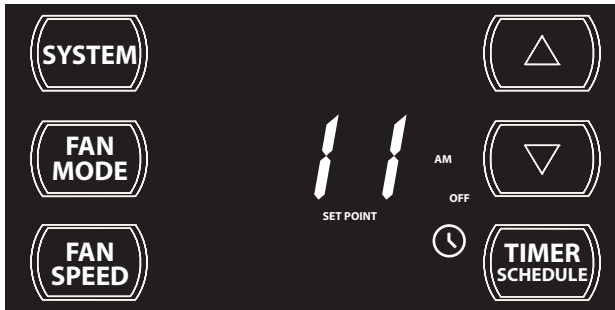
FRR142

La pantalla volverá a la normalidad una vez que se guardan los ajustes. Nota: La configuración de inicio y apagado del temporizador no activan el temporizador. Para activar el temporizador, debe pulsar el botón.

## Set Timer : Configuración de la hora de parada

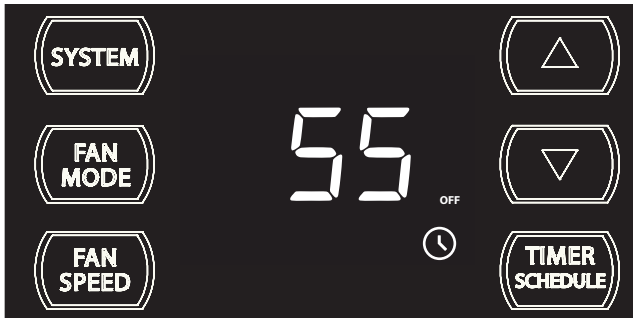
Mantenga pulsado el botón MIN ( Figura 7 ) durante 3 segundos. El icono y " OFF" aparecerá en la pantalla.

Pulse el botón o para ajustar la hora . Pulse el botón TIMER SET (Figura 7 ) para guardar la hora e ir a minutos. El siguiente ejemplo muestra una hora establecida a las 11 AM.



FRR145

Utilice el botón ▲ o ▼ para ajustar los minutos. Oprima el botónTIMER SET (Diagrama 7 dentro de 15 segundos para salir y guardar la configuración. El temporizador ahora está configurado para detenerse a las 11:55 AM.



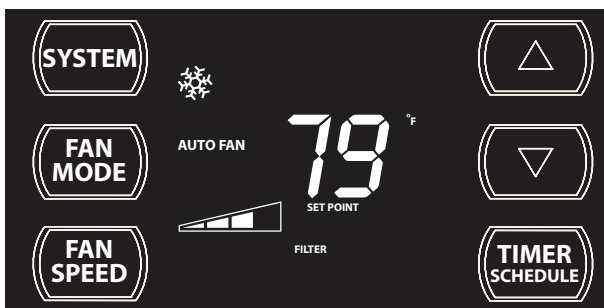
FRR146

La pantalla volverá a la normalidad cuando se guarden los ajustes.

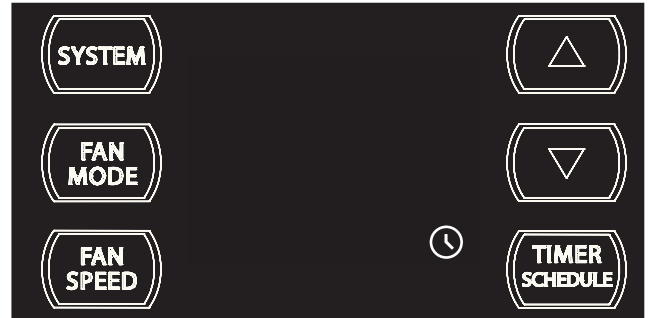
## Escenarios de Activacion del Temporizador

Una vez que los tiempos de inicio y apagado del temporizador se han guardado , se puede activar el temporizador pulsando el botón.

Si la función de temporizador se activa durante el tiempo de encendido, el icono del temporizador se ilumina y la unidad continuará funcionando en el modo actual (modo de sistema, modo de ventilador, velocidad del ventilador , la temperatura elejida, etc.) hasta que el tiempo de apagado termine. Vea el siguiente ejemplo :



Cuando el horario preajustado se activa o la función de temporizador se activa durante el tiempo de apagado, la unidad se apagará, pero el icono ⌚ permanecerá iluminado, como se muestra a continuación.



FRR157

Para desactivar y apagar el temporizador, vuelva a pulsar el botón **TIMER SCHEDULE** . Ya sea en los tiempos de encendido o apagado, el icono desaparece ⌚ .Si la unidad estaba activa, la unidad permanecerá en el estado actual. Si la unidad estaba OFF, la unidad se volverá a encender en el último estado de funcionamiento.

## TEMPORIZADOR Y PRE-PROGRAMACIÓN

El horario del Temporizador **TIMER SCHEDULE** tiene tres opciones:

24 horas Timer - por defecto del sistema. ( ya cubierto )

Horario Residencial (opción 1 ) - 40 Hr . Semana de trabajo: Esta opción hace que su unidad eleve la temperatura hasta 85 ° C durante el día típico de trabajo , baje de nuevo a 78 ° C antes de que la mayoría de la gente vuelva a casa, y eleva ligeramente a 82 ° C durante la noche.

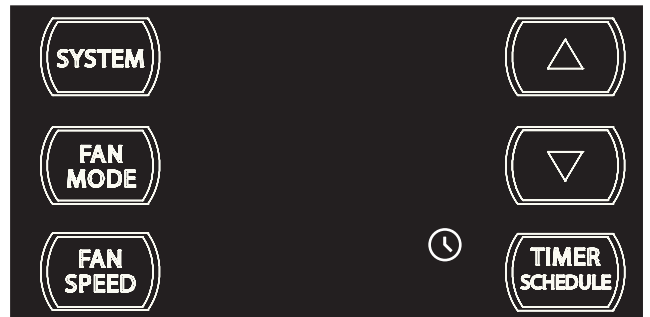
Horario Comercial (opción 2 ) - 5 Días Lunes a Viernes. Esta opción hace que su unidad para eleve la temperatura a 84 ° C después de las horas de trabajo típicos y los fines de semana cuando los espacios comerciales suelen ser desocupados.

( Consulte la Adenda 1 en la parte de atrás de este manual para ambas tablas de planificación residenciales y comerciales . )

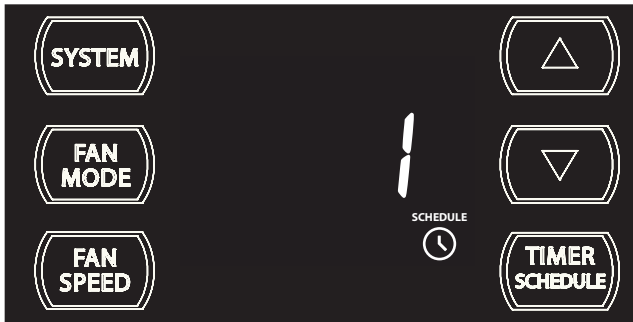
### Selección de horario

Para seleccionar entre las 3 opciones , mantenga pulsado el botón **TIMER SCHEDULE** durante 3 segundos. Después, será capaz de cambiar entre Timer (predeterminado), Plan Residencial ( 1 ) y Horario Comercial ( 2 ) pulsando la flecha ▲ o ▼ .Vea a continuación las imágenes de cada opción.

24 horas de tiempo(PREDETERMINADO)

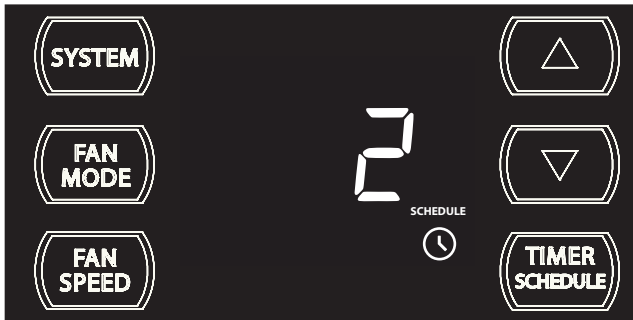


### Horario Residencial (opcion 1).



FRR137

### Horario Comercial (opcion 2).



FRR138

Para seleccionar / guardar una opción, pulse el botón **TIMER SET** (Figura 7), mientras este en la selección deseada. Si no hay actividad de botones durante 15 segundos, el tiempo se acabara y quedara la selección de función original .

Una vez que se guarda la selección (o tiempo de espera ), la pantalla vuelve a la pantalla normal .

Para activar el temporizador o programa seleccionado, pulse el boton **TIMER SCHEDULE**

### Scheduler Activated Scenarios

Si la función de horarios está encendida durante el funcionamiento normal, los iconos de el horario y el temporizador se iluminan y la unidad se encendera de inmediato con los parámetros de programación actuales, como se muestra a continuación :



Para desactivar y apagar el horario, pulse el botón **TIMER SCHEDULE** nuevo . Los iconos **SCHEDULE** y **TIMER SCHEDULE** desaparecerán y la unidad permanecerá en el estado actual. Como se muestra a continuación:



FRR161

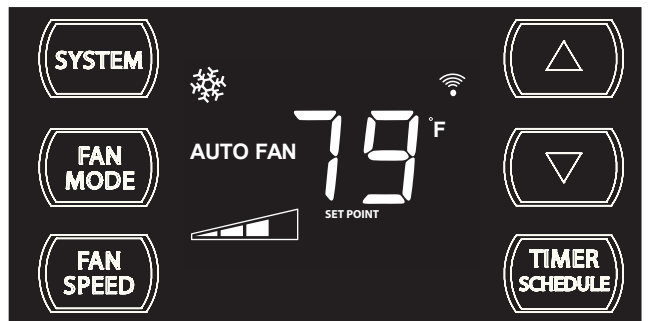
### Temporizador - Bloqueo del Control de Programacion

Si la unidad está funcionando en el modo de temporizador u horario, todos los botones están bloqueados excepto el botón **TIMER SCHEDULE**. Si se pulsa cualquier otro botón, el icono **TIMER SCHEDULE** del temporizador empezara a parpadear durante 3 segundos. Para realizar cambios , primero debe desactivar el temporizador u horario pulsando el botón. **TIMER SCHEDULE**

### CONTROL WI-FI FRIEDRICHLINK

El adaptador inalámbrico FriedrichLink (se vende por separado) permite desbloquear el control completo de su unidad de Kuhl .

Usted puede controlar, crear horarios personalizados, agrupar unidades para que enfrien por zona, y muchas otras opciones de forma remota desde un smartphone, tablet o computadorar . Cuando FriedrichLink está en uso, el icono **SMART** se ilumina para indicar que el sistema está recibiendo una conexión Wi -Fi.



FRR126

### ESTATUS DE EL CONTROL

El icono **SMART** se ilumina para indicar que el sistema está siendo controlado de forma remota para un evento de respuesta y demanda.



FRR125



## AJUSTES Y ALERTAS

Elección °F - °C

Para cambiar de grados Fahrenheit ( F ) a Celsius ( C ), pulse simultáneamente los botones ▲ y ▼ durante tres segundos.

Una " F " parpadeará durante 5 segundos. Para cambiar de F a C (o C de nuevo a F), presione el botón ▲ o ▼ dentro de los 5 segundos. Después de los 5 segundos que que parpadea la configuración deseada ( F o C ), la pantalla volverá a la normalidad con la configuración deseada.



FRR133

### Funcion DIM

Hay tres niveles de brillo de pantalla, auto, 20% y completa(100 %). Para cambiar la configuración DIM , pulse el botón de encendido durante 3 segundos.

El 1 indica un ajuste DIM de Auto ( predeterminado de fábrica ) . Utilice los botones ▲ o ▼ para cambiar el ajuste.



FRR19

El 2 indica un ajuste de DIM de 20%. Pulse el botón SET TIMER (Figura 7) dentro de los 15 segundos para guardar la configuración. Inactividad del botón durante más de 15 segundos hace que la funcion se desactive y vuelva a la pantalla de funcionamiento normal.




FRR193

El 3 indica un ajuste DIM de 100 % (brillo máximo). Pulse el botón TIMER SET dentro de los 15 segundos para guardar la configuración. Inactividad botón durante más de 15 segundos hace que la funcion se desactive y vuelva a la pantalla de funcionamiento normal. .





FRR194

**Alertas:** Cuando el filtro necesita ser limpiado o reemplazado,  aparece el icono



FRR118




La alerta se puede ignorar pulsando  y  durante 3 segundos. El icono de espera se ilumina cuando el bloqueo del compresor está activo

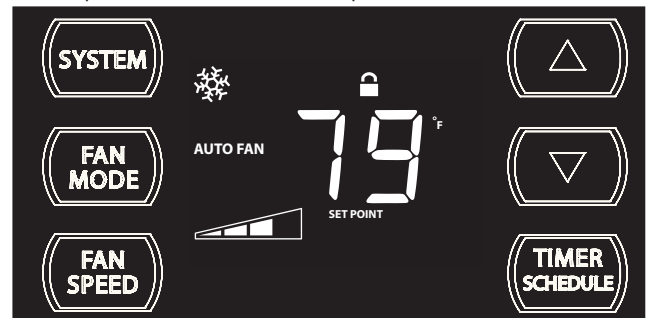


FRR120

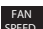

Esto significa que hay una demanda del compresor , pero el sistema no está listo para que el compresor opere

### Bloqueo del Panel de Control

Para bloquear los controles del panel frontal, mantenga presionado el botón  +  durante 3 segundos. El icono de bloqueo  se ilumina para indicar el estado de bloqueo .



FRR116

Para desbloquear , presiona  y  mantenga los botones presionados por 3 segundos.El icono desaparece para indicar el estado de desbloqueo

# Funcionamiento del Control Remoto

**Control Remoto** – Vea los Diagramas 10 y 11 durante la descripción del funcionamiento.

**Primeros Pasos** – Instalar dos (2) baterías AAA en el compartimiento de la batería en la parte posterior de la unidad.

**Operación** – El control remoto debe estar dentro de 25 pies del funcionamiento del aire acondicionado. (Vea el Diagrama 9 para la eficacia). Oprimir el botón de encendido para encender el control remoto. El control remoto se apagará automáticamente después de 15 segundos si los botones no están siendo presionados. El control remoto debe estar encendido para controlar la unidad.

**Botón de ENCENDIDO** – Enciende y apaga el control remoto y la unidad.

**Botón de SISTEMA** – Le permite al usuario seleccionar de forma secuencial el funcionamiento de FRÍO ❄️, CALOR 🔥 y SÓLO VENTILADOR 🌀. Cuando se oprime el botón, la pantalla indica qué modo ha sido seleccionado a través de un mensaje en la pantalla. Nótese que cuando la función de calefacción no está disponible, el sistema automáticamente se saltará el modo de CALOR.

**Botón de MODO DE VENTILADOR** – Selecciona entre el funcionamiento automático (AUTO FAN) o CONTINUOUS. En el modo de AUTO FAN, el ventilador únicamente se enciende y se apaga cuando funciona el compresor o la función de calor está habilitada.

**NOTA:** AUTO FAN no está disponible en el Modo de SÓLO VENTILADOR, la pantalla indica CONTINUOUS. En el modo de CONTINUOUS, la velocidad del ventilador se determina por su selección con el botón de FAN SPEED.

**Botón de VELOCIDAD DEL VENTILADOR** – Se utiliza para seleccionar de forma secuencial la nueva velocidad del ventilador, además del funcionamiento en AUTO. Cuando se oprime el botón FAN SPEED, cambia el ícono de velocidad del ventilador (triángulo) para indicar el nivel de velocidad. La velocidad del ventilador varía automáticamente en función de la temperatura establecida en el panel de control y la temperatura ambiente efectiva.

**Botón de PROGRAMACIÓN** – El botón SCHEDULE prende y apaga la función de programación. Oprima el botón de Programación una vez para encender la Programación (Residencial, Comercial, Temporizador, o Personalizada) que ya haya sido seleccionada en la unidad. Al oprimir el botón SCHEDULE una segunda vez apaga la función de programación.

**Flechas de ARRIBA y ABAJO** – Al oprimir los botones de ▲ (ARRIBA) o ▼ (ABAJO) se cambia la temperatura ambiente deseada. Los límites mínimos y máximos de configuración predeterminados de fábrica son de 60°F (16°C) y 99°F (37°C). Estos botones se utilizan también para navegar entre las opciones de las funciones cuando se utiliza el Menú de Usuario o el Modo de Mantenimiento.

## Efectividad del Control Remoto

**Control Remoto de Mano** – Tiene rango de funcionamiento de hasta 25 pies. La señal infrarroja del control remoto debe tener una ruta libre para transmitir la instrucción a la unidad de aire acondicionado. La señal del control remoto tiene cierta capacidad de "rebotar" en las paredes y muebles similar a la de un control remoto de televisión. El siguiente diagrama muestra el rango de funcionamiento normal del control en una habitación estándar con techos de 8 pies de altura.

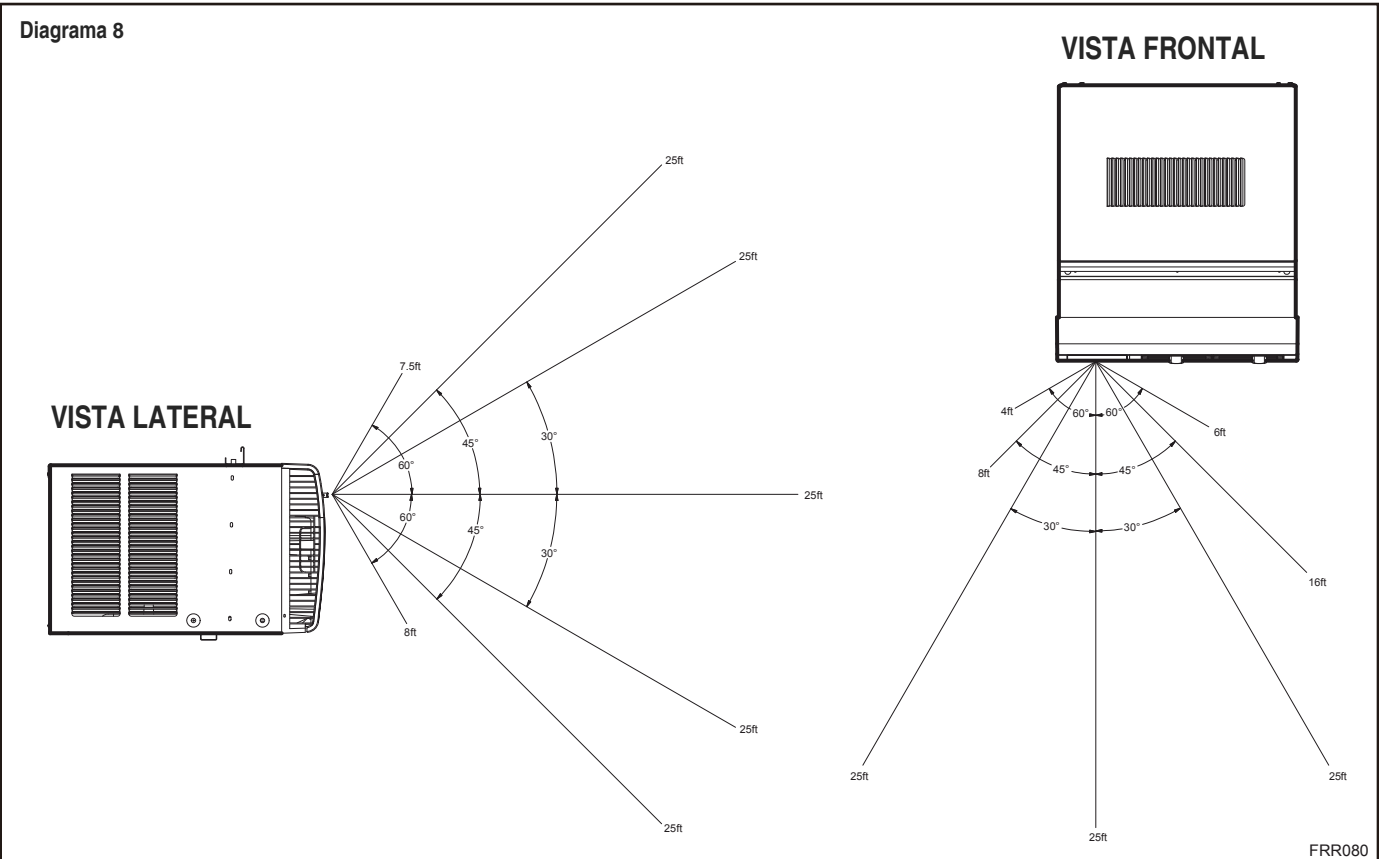
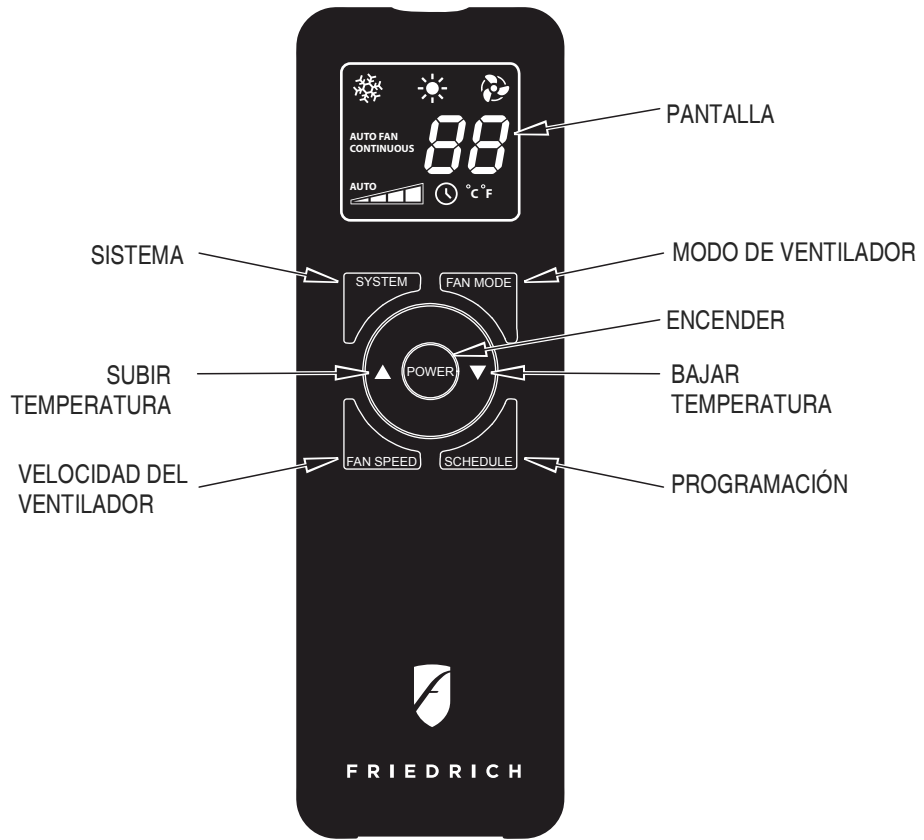


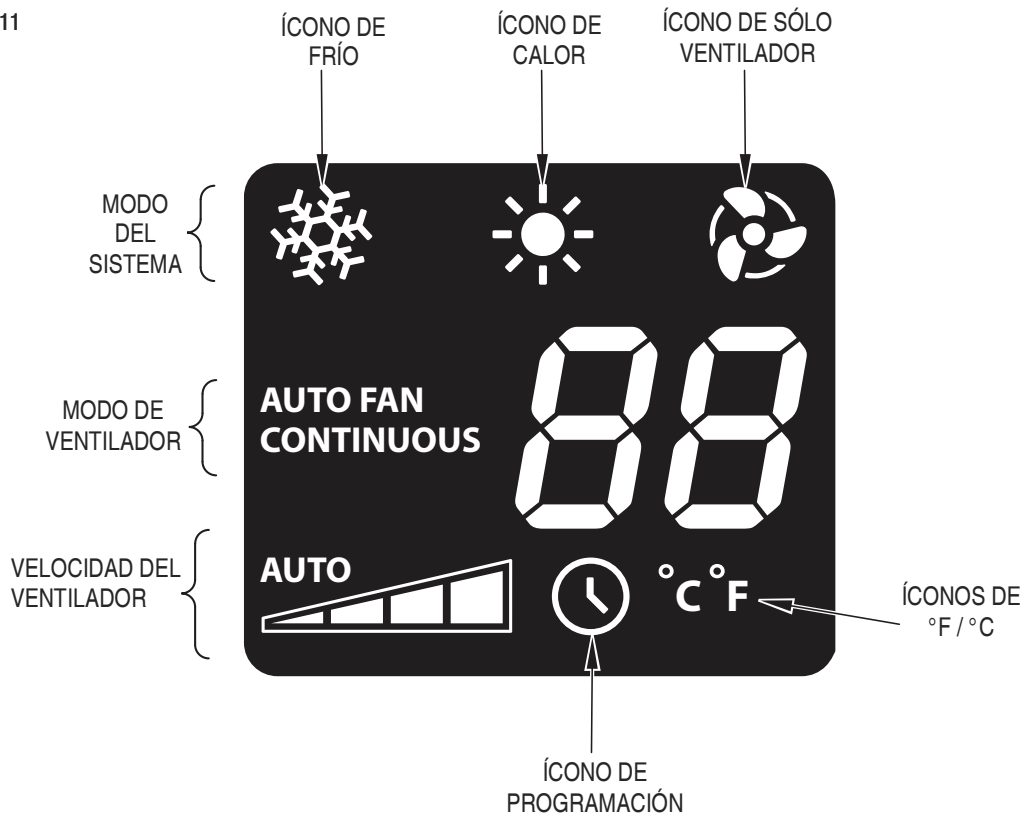


Diagrama 10



FRR081

Diagrama 11



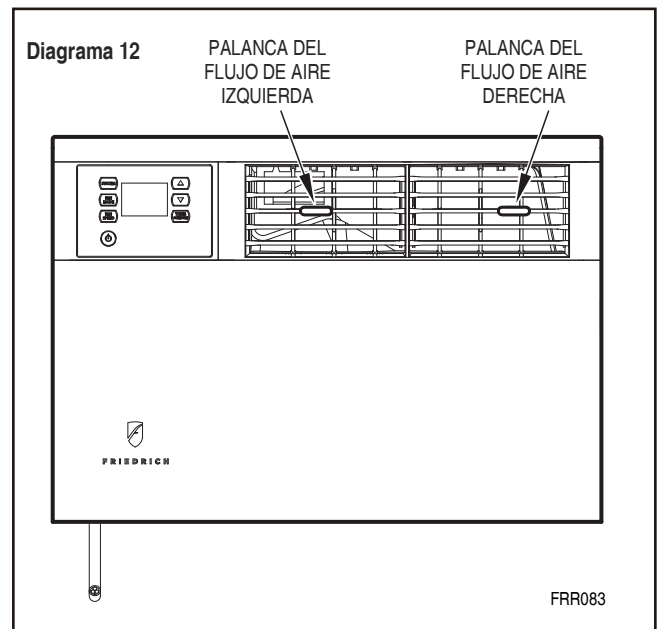
FRR082

## Selección y Ajuste del Flujo de Aire

### Ajuste de dirección del flujo de aire

La trayectoria del flujo de aire se puede ajustar para distribuir el aire de forma independiente desde el lado izquierdo o derecho de la abertura de descarga. Cada una de las hileras de persianas se pueden dirigir a la izquierda, derecha, arriba o abajo con el fin de lograr el posicionamiento del flujo de aire más óptimo.

Para ajustar la dirección del flujo de aire, tomar la palanca en el centro de la hilera de persianas y moverla en la dirección en la que a usted le gustaría que el aire se dirija. Tenga en cuenta que es normal que el flujo de aire pueda ser más fuerte de un lado de las persianas que del otro.



## Instrucciones de Instalación

**NOTA:** Esta sección incluye instrucciones de instalación para el montaje en ventanas y métodos de montaje a través de la pared. Las unidades Kaül de calor / frío están diseñadas para una instalación permanente a través de la pared. Montar la unidad en una ventana requerirá un conjunto de accesorios de ventana, disponible a través de su distribuidor Friedrich.

|  <b>ADVERTENCIA</b> |  |
|--|--|
|                     | <b>Peligro de Descarga Eléctrica</b>   |
|  | Asegurarse de que su enchufe eléctrico tenga la misma configuración que el enchufe de su aire acondicionado. Si es diferente, consultar a un electricista certificado.                     |
|  | No utilizar adaptadores de enchufe.<br>No utilizar un cable de extensión.<br>No quitar la clavija de tierra.   |
|  | Conectar siempre a una toma de corriente de 3 clavijas con conexión a tierra.<br>El incumplimiento de estas instrucciones puede ocasionar la muerte, un incendio o una descarga eléctrica. |

### ¡LEA ESTO PRIMERO! Requerimientos Eléctricos

**IMPORTANTE:** Antes de comenzar la instalación misma del aire acondicionado, asegúrese de que sus requerimientos eléctricos sean como se describen a continuación. Consulte a un electricista profesional si es necesario para asegurarse que el cableado de la vivienda está de acuerdo a los códigos eléctricos locales.

**PROTECCIÓN DE CIRCUITO** – Un circuito sobrecargado invariablemente provocará un mal funcionamiento o la descompostura de un aire acondicionado, por lo tanto, es necesario que la protección eléctrica sea la adecuada. Debido al alto requerimiento momentáneo de corriente cuando se inicia el aire acondicionado, utilice un fusible de "RETARDO" o un interruptor automático del circuito de tipo HACR. Consulte a su distribuidor o la compañía de energía en caso de duda.

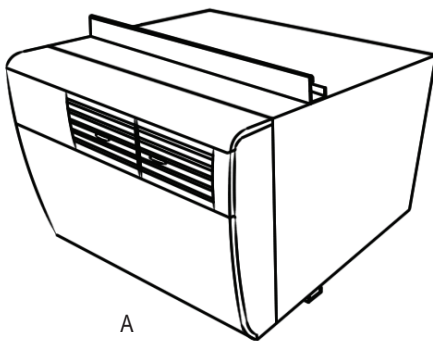
Su aire acondicionado debe estar conectado a una fuente de alimentación con el mismo voltaje de corriente alterna y Hertz como está indicado en la placa de identificación de la unidad. Sólo se puede utilizar corriente alterna (A.C., en inglés), no corriente directa (D.C., en inglés).

El cable de alimentación tiene un enchufe con una clavija de tierra del tipo aprobado y se requiere de una toma de corriente que coincida con el enchufe con conexión a tierra. Vea la página 6 para el tipo correcto de conexión de la toma de corriente para su modelo.

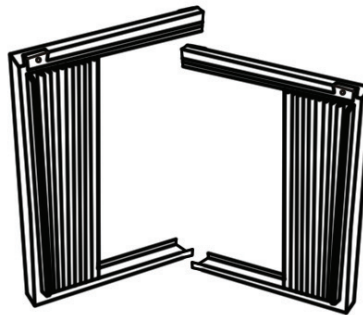
## Artículos necesarios para la instalación (incluidos únicamente en las unidades de enfriamiento directo)

| No ARTÍCULO | DESCRIPCIÓN  | CANT. |
|-------------|--|-------|
| A           | -UNIDAD KÜHL "Q"   | 1     |
| B           | -CORTINAS LATERALES Q<br>( INCLUYE 8 pines de empuje )                     | 2     |
| C           | -CINTA SELLADORA   | 1     |
| D           | -CINTA SELLADORA - ADHESIVO -ATRAS<br>Sólo para instalaciones de reemplazo | 1     |

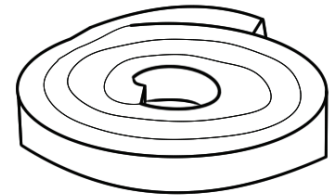
| No ARTÍCULO | DESCRIPCIÓN                         | CANT. |
|-------------|-------------------------------------|-------|
| E           | TORNILLO # 8 x ½ " ( BOLSA AZUL )   | 6     |
| F           | TORNILLO # 8 x 1 ¼ " ( BOLSA GRIS ) | 5     |
| G           | TACHUELAS DE REPUESTO               | 4     |



A



B



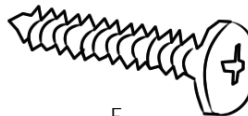
C



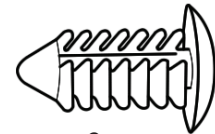
D



E



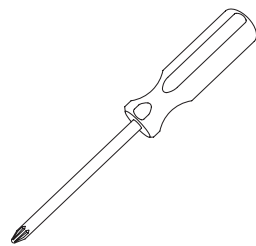
F



G

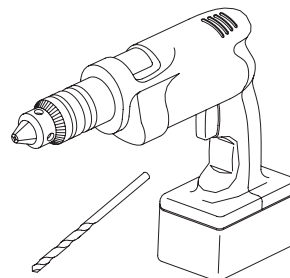
Herramientas recomendadas para la instalación : (no incluido )

Necesario para todas las instalaciones

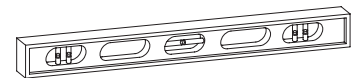


DESTORNILLADOR PHILLIPS

Recomendado para instalaciones de pared



TALADRO, ⅜ " BROCA



NIVELADOR

NOTA : Ropa de protección y equipo se deben usar durante la instalación de la unidad (por ejemplo: gafas de protección, guantes, botas, etc)

**PARA INSTALACIONES DE VENTANAS , PROCEDA A LA PÁGINA SIGUIENTE .  
PARA INSTALACIONES DE VENTATA, VAYA A LA PG 22 .**

# Instalación de Ventana Estándar

**IMPORTANTE :** Algunos municipios o jurisdicciones requieren que las unidades de ventana son instalados por contratistas con licencia . Consulte los códigos y ordenanzas locales antes de intentar la instalación .

## ADVERTENCIA

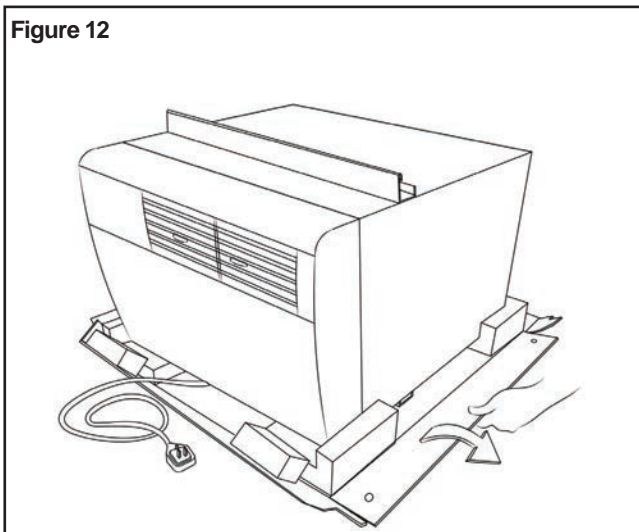


### Peligro por la Caída de Objetos

El no seguir las instrucciones de instalación para el montaje de su aire acondicionado puede resultar en daños a los bienes, en lesiones o en la muerte.

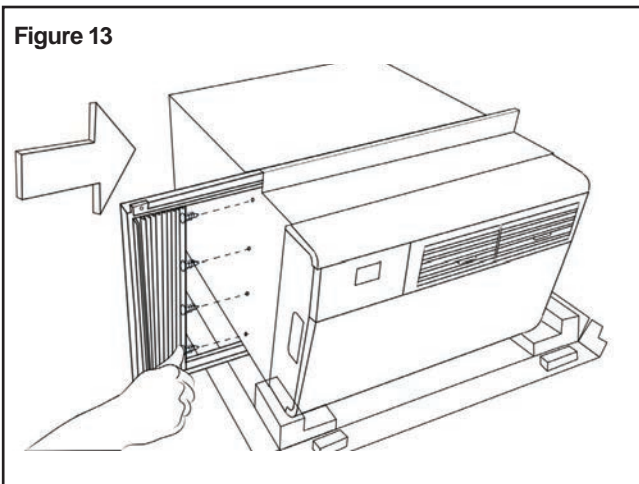
**PASO 1.** Doble hacia abajo de los lados de la bandeja inferior del cartón . ( Ver Figura 12 )

Figure 12



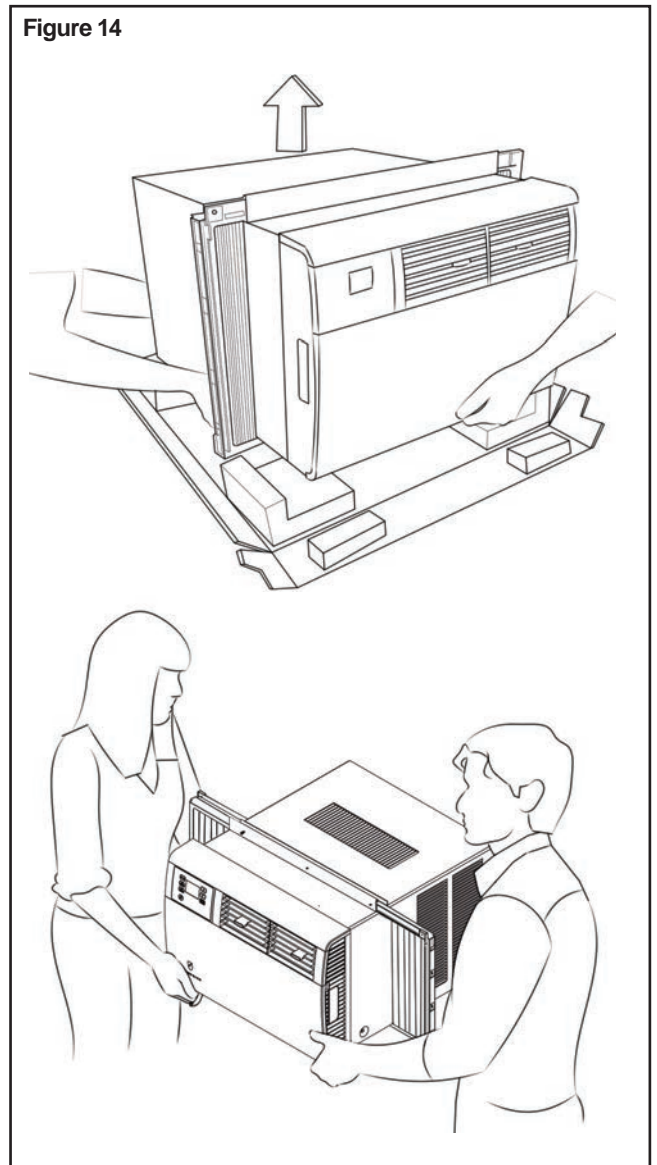
**PASO 2.** Instale las cortinas laterales (B en la lista de piezas ) en ambos lados de la unidad . Pulse en los pasadores de empuje adjuntos ( 4 en cada lado ) para asegurar cortinas a la cubierta . ( Ver Figura 13 )

Figure 13

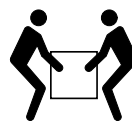


**PASO 3.** Una vez que se han instalado dos cortinas , deslice las manos debajo de la unidad para levantar y transportar a la ventana , como se muestra en la Figura 14. Obtener asistencia según sea necesario

Figure 14



## PRECAUCIÓN

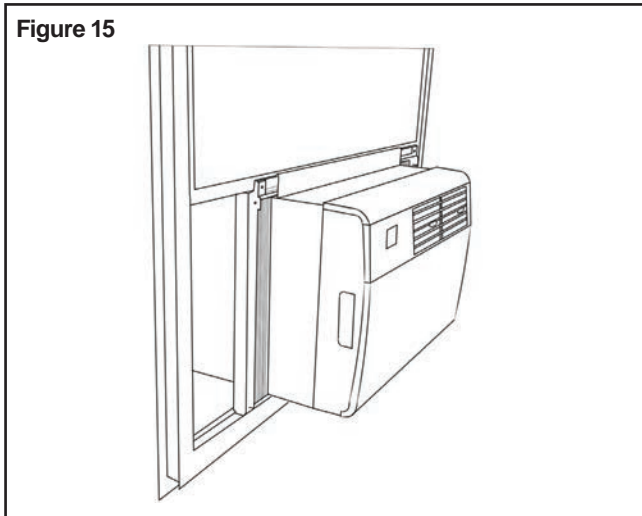


### Peligro de Peso Excesivo

Recurrir a dos o más personas durante la instalación del aire acondicionado. De no hacerlo puede resultar con lesiones en la espalda o de otro tipo.

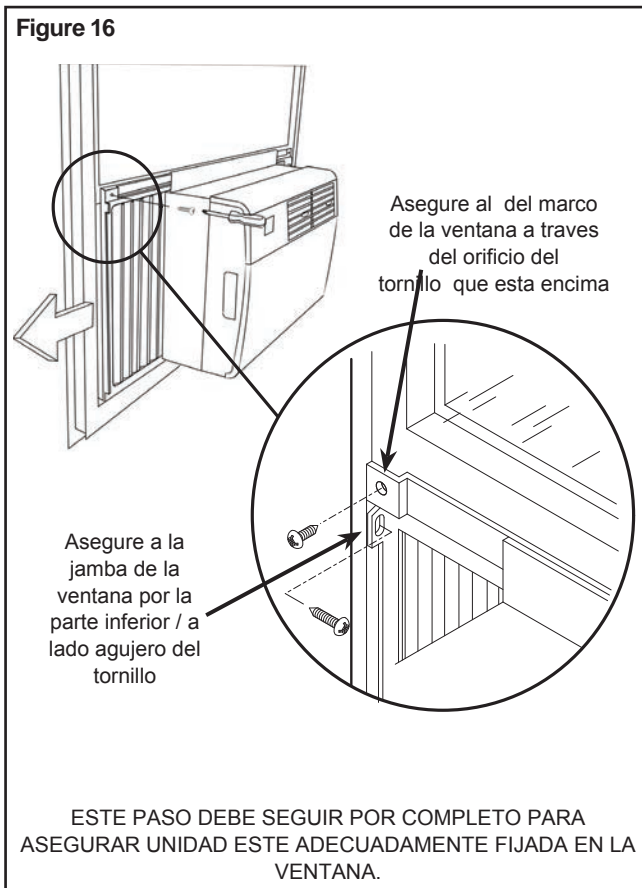
**Paso 5** Coloque la unidad en la ventana con el carril de soporte inferior contra el borde posterior de la repisa de la ventana. Centre y cierre el alféizar de ventana sobre el riel de soporte superior. La unidad debe estar al mismo nivel o ligeramente inclinada hacia fuera. ( Ver Figura 15 ) **NOTA :** Dependiendo del tipo de ventana , instale el bloqueo de seguridad apropiada según lo recomendado por el fabricante .

**Figure 15**



**PASO 5.** Extender cortinas laterales para llenar la ventana . Asegure la esquina superior externa de ambas cortinas (izquierda y derecha) a la jamba y marco de la ventana con los tornillos suministrados . 1/2 " tornillos ( artículo E en la lista de piezas ) y 1 1/4 " tornillos ( Punto F : en la lista de piezas ) se han previsto para dar cabida a diferentes tipos de ventanas . ( Véase la Figura 16 )

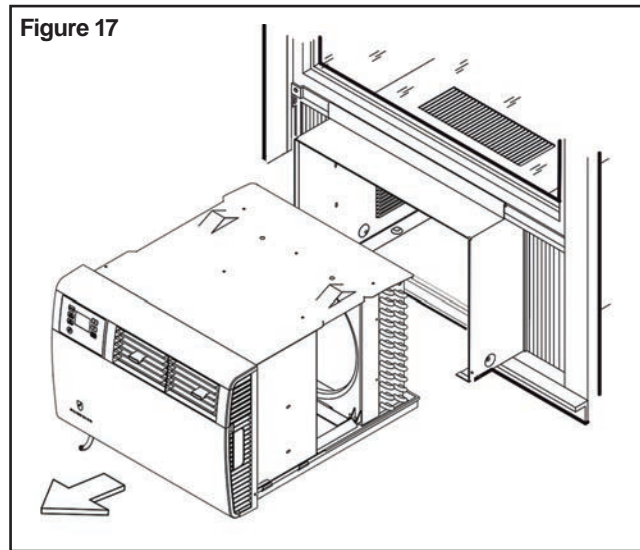
**Figure 16**



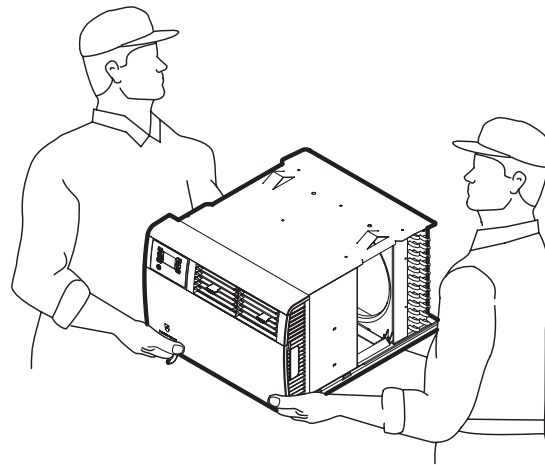
Si usted desea una instalación más permanente , puede asegurar las cortinas con los dos tornillos y la manga directamente en la repisa de la ventana inferior siguiendo los pasos 5.1 - 5.3 que se muestran a continuación. Si elige la instalación estándar ya cubiertos en los pasos 1 - 5 , entonces se puede proceder al Paso 6 que encuentra en la página 25 .

**STEP 5.1.** Saque La Unidad de la funda usando el lado manijas localizadas a cada lado de la parte frontal decorativo. Obtener asistencia según sea necesario. Coloque la unidad fuera del camino en una superficie plana y segura . ( Ver Figura 17 )

**Figure 17**



**CUANDO CARGA O MANIPULE LA UNIDAD, SOLICITE ASISTENCIA O AYUDA SI ES NECESARIO PARA SOSTENER LA UNIDAD DE LA PARTE INFERIOR (BANDEJA BASE), MANTENIÉNDOSE ALEJADO DE TODOS LOS OBSTÁCULOS.**



**⚠ PRECAUCIÓN**



**Cortar / Rebanar**

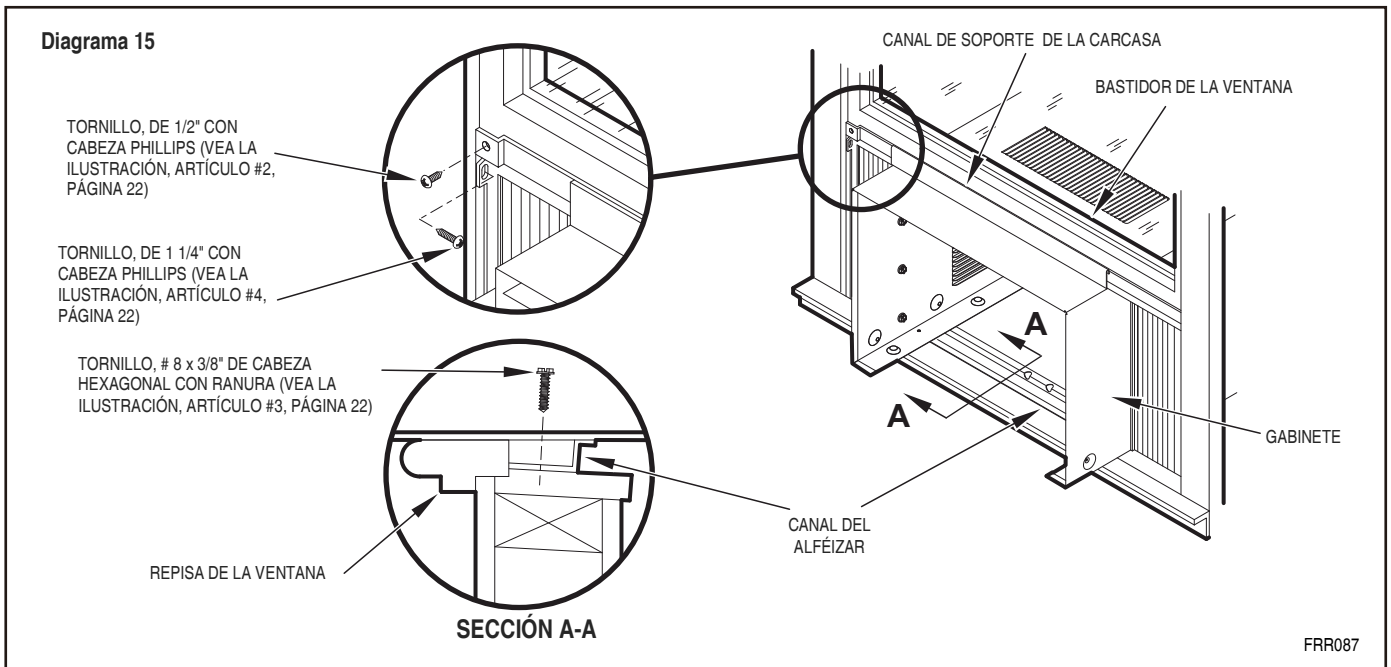
Aunque se ha tenido mucho cuidado para reducir al mínimo los bordes afilados en la fabricación de la unidad, utilizar guantes u otro tipo de protección para el manejo de la unidad.

De no hacerlo puede resultar con lesiones personales de menores a moderadas.

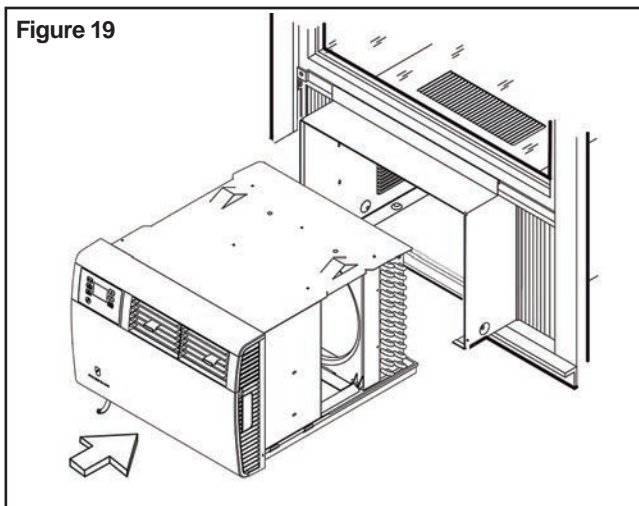
STEP 5.2. Una vez que la unidad se quita de la manga , manga seguro a alféizar de la ventana a través del agujero del tornillo en la parte inferior central de canal alféizar usando 1 suministra 1 ¼ " tornillo (F en la lista de piezas ) . ( Véa la Figura 18 A- A)

En el paso 5 , las cortinas de la ventana se fijan con 1 tornillo por cortina ( 2 tornillos en total). Para una aplicación más permanente , puede asegurar cada cortina con un tornillo adicional a través del orificio del tornillo restante , asegurando cada cortina de la ventana está fijado a jamba de la ventana y la banda con 2 tornillos cada uno (4 tornillos en total). Dos tamaños de tornillos ( E y F en la lista de piezas ) se han previsto para dar cabida a diferentes tipos de ventanas . ( Ver Figura 18 )

NOTA : Asegurar las cortinas con las dos tornillos de los orificios de los tornillos puede no funcionar en ciertos tipos de ventana . Para esas aplicaciones, usar sólo 1 tornillo por cortina e instalar la cerradura de seguridad apropiada según lo recomendado por el fabricante de la ventana.



STEP 5.3. Inspeccione la unidad antes de insertar de nuevo en la cubierta . Gire manualmente el ventilador para ver que gire correctamente . Verificar que el cable eléctrico esté colocado en la parte delantera de la unidad y fuera del camino cuando inserte de nuevo en la cubierta. Inserte la unidad de nuevo en la cubierta posicionando en los rieles inferiores de la cubierta y empujando de nuevo en su lugar. Obtener asistencia según sea necesario. ( Ver Figura 19 )

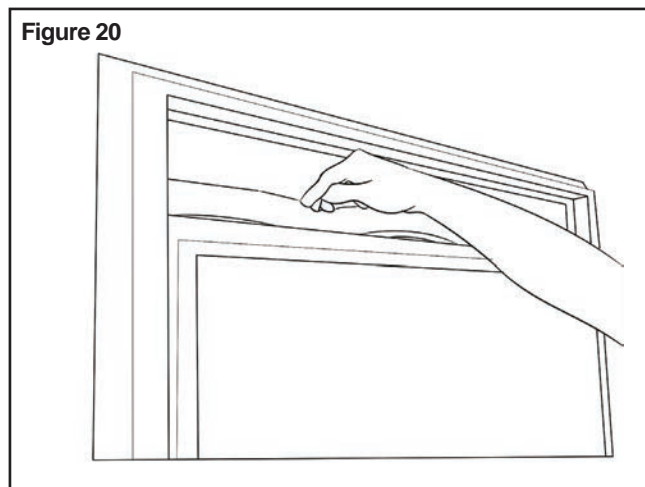


|                  |  |
|------------------|--|
| <b>⚠ CAUTION</b> |  |
|                  | <p><b>Excessive Weight Hazard</b><br/>Use two or more people when installing your air conditioner.</p> <p>Failure to do so can result in back or other injury.</p> |

NOTE: WHEN CARRYING OR HANDLING UNIT, OBTAIN ASSISTANCE OR HELP AS NECESSARY TO SUPPORT UNIT FROM BOTTOM (BASEPAN), MAINTAINING CLEARANCE FROM ALL OBSTACLES.



STEP 6. Cortar el sello de la ventana (C en la lista de piezas ) para que coincida con el ancho de la ventana e insertarle en la corredura de la ventana como se muestra en la figura 20.



STEP 7. **Conecte la unidad.**

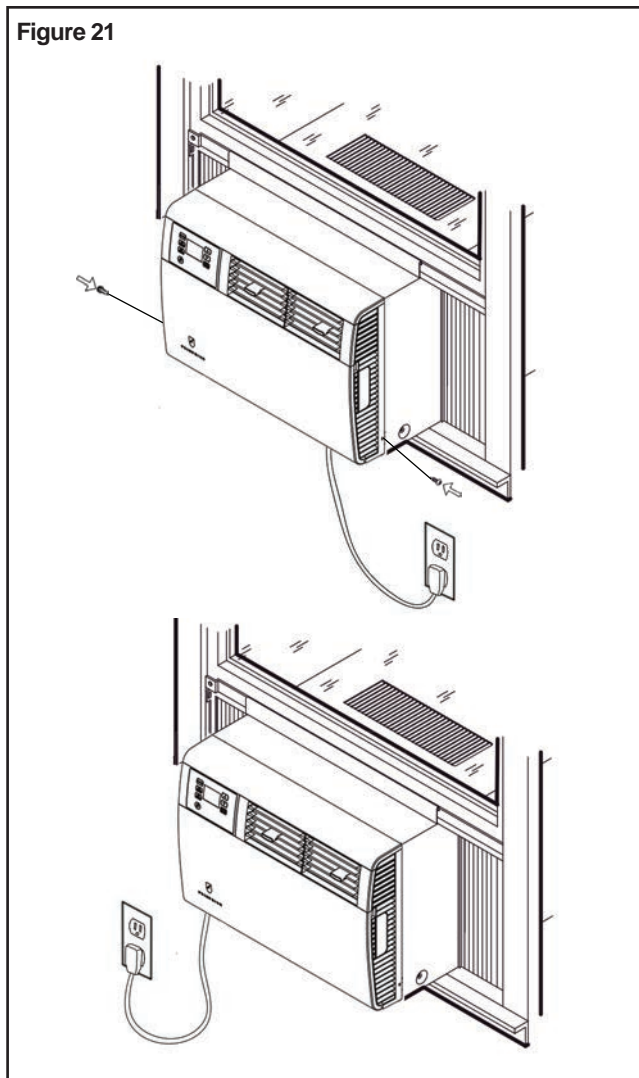
Ahora que la instalacion se ha completado, la unidad esta lista para funcionar ! Solo tiene que conectar el cable de conecion y siga los pasos de operacion descritas en este manual o en la Guia de inicio rapido .

Circuito de protección - Si el aire acondicionado está protegido cintra circuito por un fusible " TIEMPO DE RETARDO " o disyuntor tipo HACR debido a la alta demanda de corriente cuando se inicia su acondicionador de aire . Antes de utilizar la unidad , verificar el amperaje del fusible de retardo o un disyuntor que protege su unidad. El amperaje del fusible o disyuntor de retardo será de 15 amperios

## Opciones de cableado

Su unidad Kühl Q vendrá con el cable de alimentación ya instalado y enrutado hacia el lado izquierdo de la unidad .

Para mayor conveniencia y apariencia la dirección del cable de alimentación puede ser cambiado de izquierda a derecha , siguiendo el procedimiento de abajo. Seleccione la ubicación de salida de la izquierda o la derecha debido a su proximidad a la toma de corriente. ( Ver Figura 21 )



### **⚠ ADVERTENCIA**



**Peligro de descarga eléctrica**

Asegurarse de que su toma de corriente eléctrica tenga la misma configuración que el enchufe de su aire acondicionado. Si es diferente, consultar a un Electricista Certificado.

- No utilizar adaptadores de enchufe.
- No utilizar un cable de extensión.
- No quitar la clavija de tierra.

Conectar siempre a una toma de corriente de 3 clavijas con conexión a tierra.  
El incumplimiento de estas instrucciones puede ocasionar la muerte, un incendio o una descarga eléctrica.

### EntryGuard bloqueo de seguridad

Para mayor seguridad, su unidad está equipada con protección EntryGard™ , que ayuda a prevenir las patadas en las intrusiones . Para activar esta función , utilice 2 1/2 " tornillos (E en la lista de piezas ) para asegurar la cubierta frontal decorativa de la manga . (Ver imagen superior de la Figura 21 para ubicación de los orificios de tornillo) .

## Cambio de Enrutamiento del Cable

Desconecte la unidad.

**PASO 1.** Abrir la Cubierta Frontal Decorativa, y quitar los 4 tornillos.  
Guardarlos para volverlos a instalar más tarde.

**A.** Abra la cubierta frontal decorativa.

**B.** Localice y desconecte el arnés de cables electrónico.

### ⚠ ADVERTENCIA



Asegurarse de que su enchufe eléctrico tenga la misma configuración que el enchufe de su aire acondicionado. Si es diferente, consultar a un electricista certificado.

No utilizar adaptadores de enchufe.  
No utilizar un cable de extensión.  
No quitar la clavija de tierra.

Conectar siempre a una toma de corriente de 3 clavijas con conexión a tierra.

El incumplimiento de estas instrucciones puede ocasionar la muerte, un incendio o una descarga eléctrica.

Figure 22A

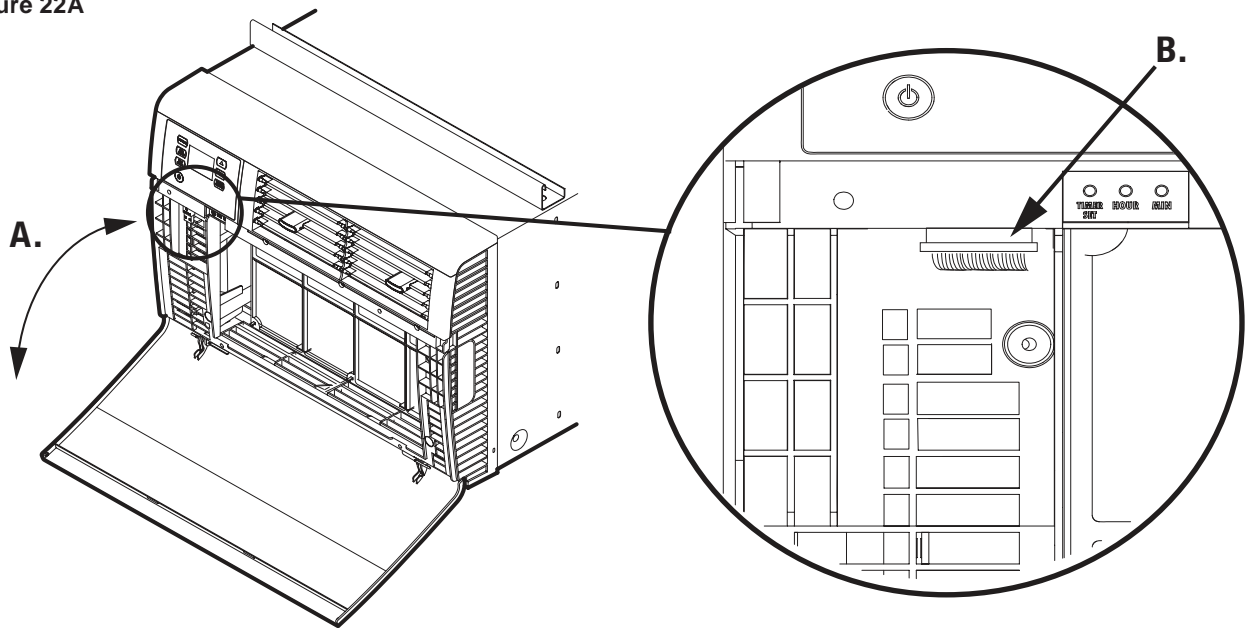
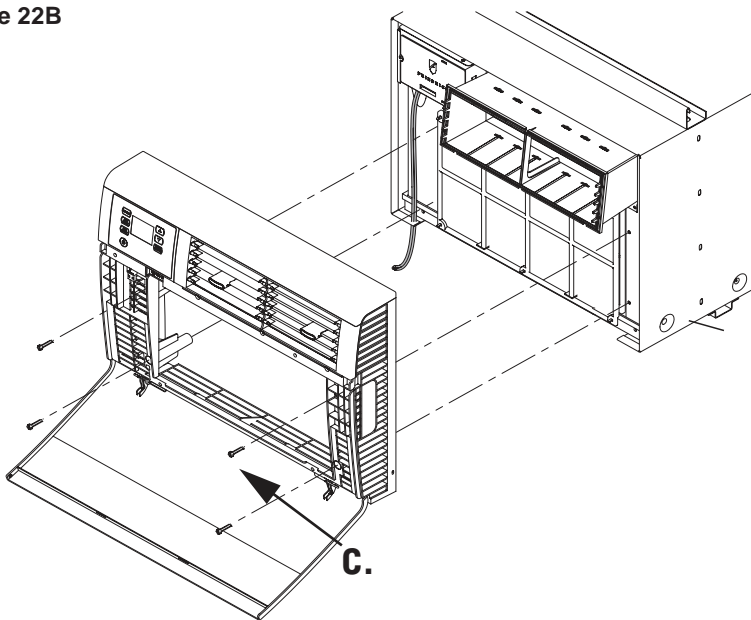


Figure 22B



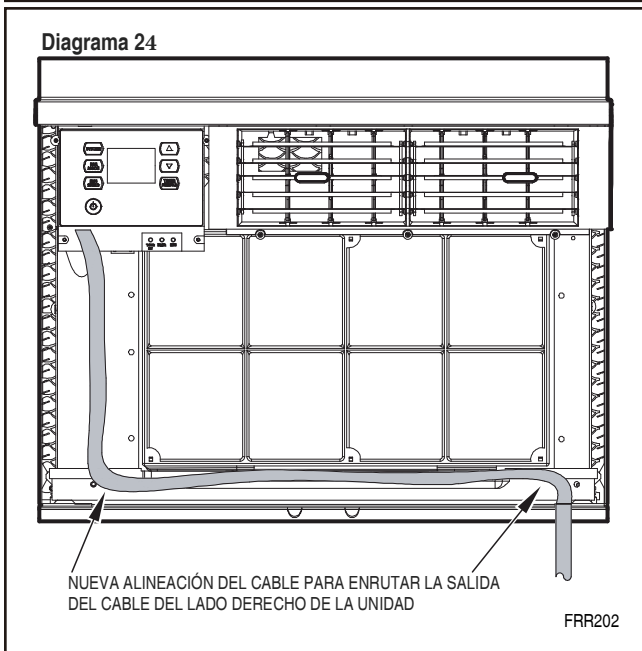
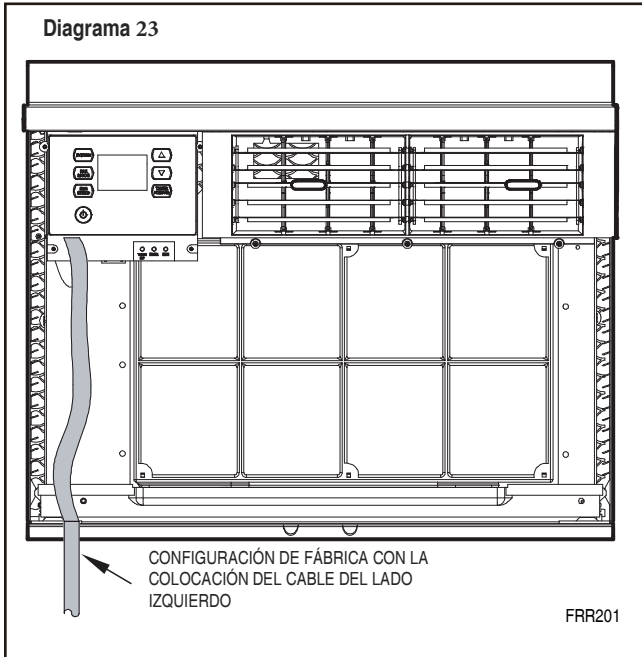
**C.** Retire los 4 tornillos que sujetan la cubierta frontal.

Guardarlos pra reinstalarlos despues.

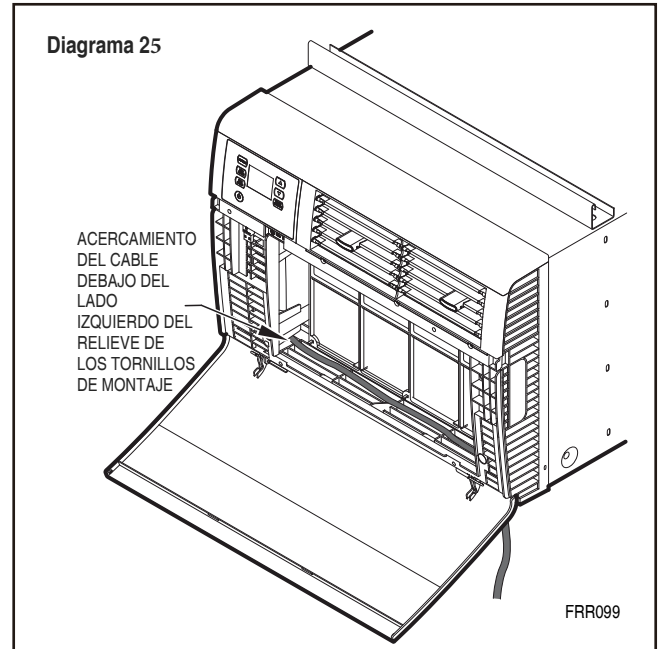
**D.** Remueva la cubierta frontal. Guardela para instalarla despues. (no imagen).



**PASO 2.** A fin de poner a recorrer el cable de alimentación a la derecha de la unidad, colocar el cable a lo largo dentro de la parte inferior de la unidad (Vea los Diagramas 23 y 24), debajo de la parte inferior izquierda del relieve de los tornillos de montaje (Vea el Diagrama 22) y sacar el cable a través de la abertura para el cable del lado derecho (Vea el Diagrama 22) de la cubierta frontal decorativa. La Cubierta Frontal Decorativa sostendrá el cordón en su lugar.



**PASO 3.** Reinstalar los 4 tornillos que se retiraron con anterioridad para asegurar la Cubierta Frontal Decorativa con la salida del cable de la parte inferior frontal de la unidad. (4 tornillos CONSERVADOS DEL PASO 1)



# Instalación a Través de la Pared

## ⚠ PRECAUCION



### Peligro por la Caída de Objetos

El no seguir las instrucciones de instalación para montaje de su aire acondicionado puede resultar en daños a los bienes, en lesiones o en la muerte.

**PASO 1.** Después de retirar la unidad de la caja, saque el chasis de la cubierta (Vea el Diagrama 26).

**PASO 2.** Retirar el canal de la carcasa de la parte superior del gabinete (Vea el Diagrama 15, página 24).

**PASO 3. ESQUEMA** - Cortar y enmarcar una abertura en la área de la pared deseada utilizando la ilustración como guía (Vea el Diagrama 28).

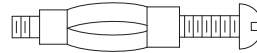
**PASO 4.** Colocar el gabinete en la abertura enmarcada.

**NOTA:** Medir y calzar los espacios vacíos entre los lados del gabinete y la estructura de madera antes de fijar a la pared.

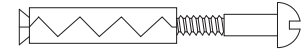
**PASO 5.** Colocar el borde frontal para extenderlo en el cuarto a un mínimo de 3/4" en la parte superior del gabinete y a un mínimo de 1" en la parte inferior (Vea el Diagrama 28).

**PASO 6.** Fijar cada lado del gabinete con los tornillos de cabeza hexagonales con ranura 1 1/4" (Letra F en la lista de partes) o con clavos a través de los orificios en los lados.

**NOTA:** Las abrazaderas alternas que se pueden utilizar para fijar el gabinete de la unidad a una pared, incluyendo muros de mampostería, no está suministradas (disponibles en las ferreterías locales).

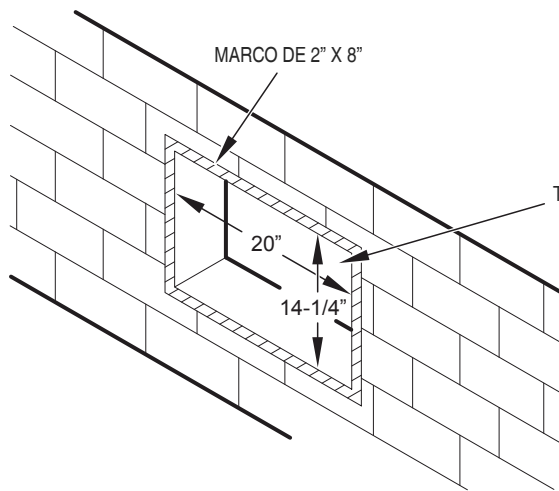


PERNO DE FIADOR O MOLLY



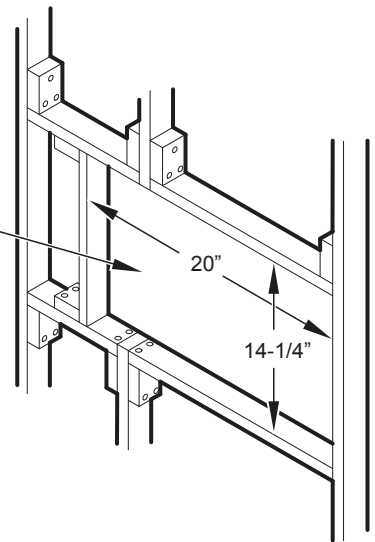
PERNO DE ANCLAJE DE EXPANSIÓN

Diagrama 23



CONSTRUCCIÓN DE BLOQUES DE CONCRETO

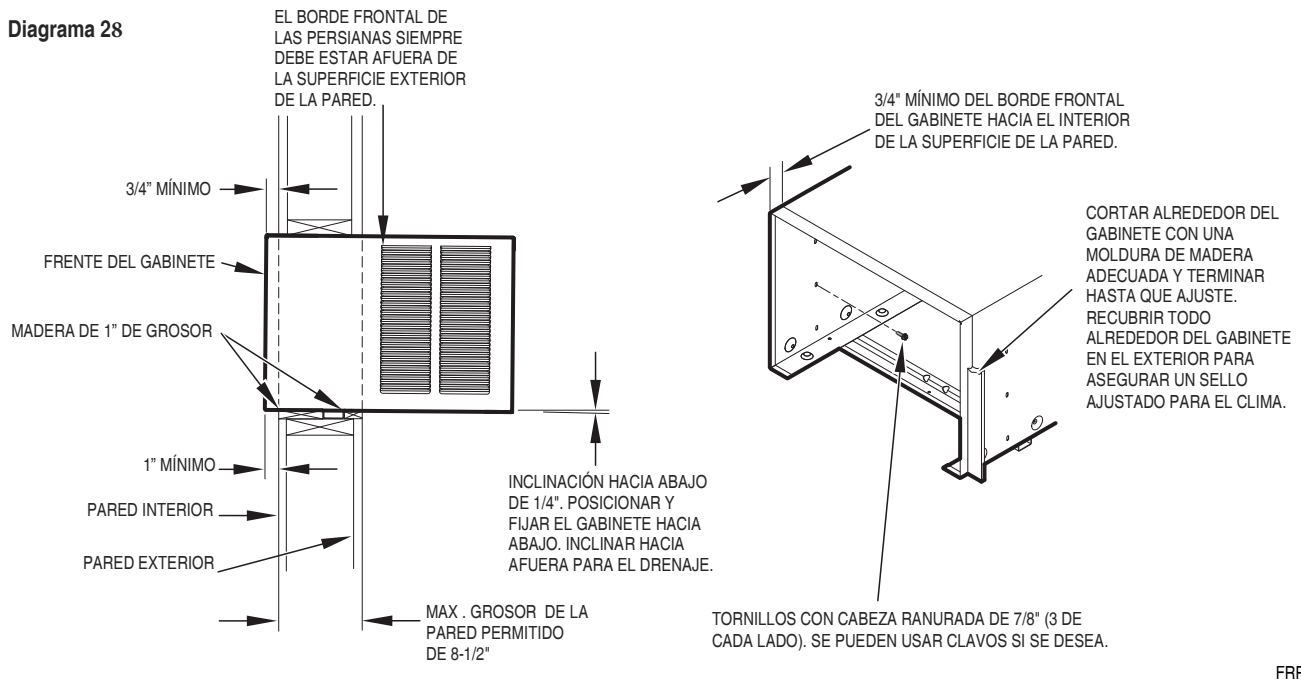
TAMAÑO DE ABERTURA FINAL



CONSTRUCCIÓN DEL MARCO

FRR091

Diagrama 28



FRR092

**PASO 7.** Cortar dos pedazos de 1" de madera estándar (proporcionada por el instalador) de la longitud y el ancho requerido. Colocar al frente y atrás del canal inferior del alféizar como se muestra en el Diagrama 24. Fijar con clavos (proporcionados por el instalador).

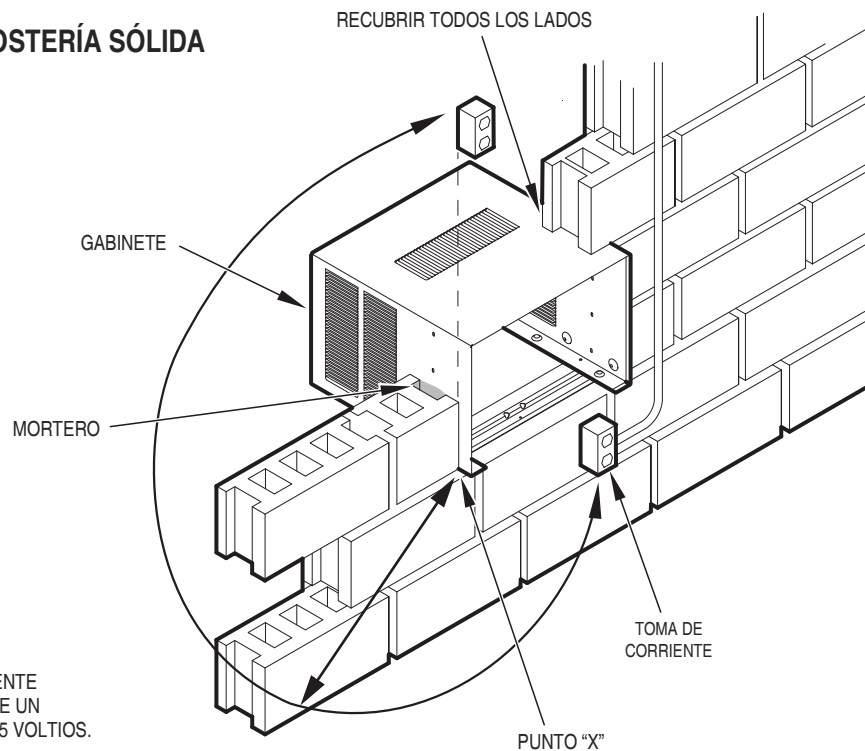
**PASO 8.** Sellar todos los orificios en el gabinete con un compuesto de recubrimiento (proporcionado por el instalador).

**PASO 9.** Finalizar la instalación siguiendo los PASOS 5.3 al 7 de la Instalación de la Ventana Estándar (Página 24). No será necesario el Empaque de Sellado de la Ventana mencionado en el PASO 6.

**IMPORTANTE:** Antes de operar su unidad, lea el PASO 7 de las Instrucciones de la Ventana Estándar.

Diagrama 29

### CONSTRUCCIÓN DE MAMPOSTERÍA SÓLIDA



**NOTA:** LA UBICACIÓN DE LA TOMA DE CORRIENTE DESDE EL PUNTO "X" DEBE ESTAR DENTRO DE UN RADIO MÁXIMO DE 69" PARA UNIDADES DE 115 VOLTIOS.

FRR093

---

## Inspección Final & Lista de Verificación de Arranque

- ◆ Revise y asegúrese de que todos los componentes y accesorios hayan sido instalados correctamente y que no hayan sufrido daños durante el progreso de la instalación.
  - ◆ Revise el drenaje(s) de agua condensada para garantizar que sea adecuado para la eliminación de agua condensada, y que cumple con la aprobación del usuario final.
  - ◆ Asegúrese de que se haya respetado todas las instrucciones de instalación relativas al espacio libre en torno a la unidad. Compruebe que el filtro de aire, bobina interior, y la bobina exterior de la unidad estén libres de cualquier obstrucción.
  - ◆ Asegúrese de que el interruptor(s) del circuito o el fusible(s) y el tamaño del cable del circuito de alimentación hayan sido medidos correctamente. Si la unidad fue suministrada con un cable de alimentación, asegúrese de que esté guardado correctamente.
  - ◆ Asegúrese de que toda la instalación cumpla con todos los códigos nacionales y locales y los estatutos que tengan jurisdicción.
  - ◆ Fije los componentes y accesorios, tales como la Cubierta Frontal Decorativa.
  - ◆ Arranque la unidad y verifique el funcionamiento correcto de todos los componentes en cada modo de funcionamiento.
  - ◆ Instruya al propietario u operador sobre el funcionamiento de las unidades, y el Mantenimiento de Rutina del fabricante.
- NOTA:** Se recomienda llevar un registro de las fechas de mantenimiento y/o servicio.
- ◆ Presentarle al propietario o al operador del equipo con el Manual de Instalación y Funcionamiento, todas las instrucciones de instalación de accesorios, y el nombre, dirección y número de teléfono de la Compañía de Servicios de Garantía Autorizada por Friedrich en la zona para futura referencia de ser necesario.


### Es un aparato de clima cálido

Su aire acondicionado está diseñado para enfriar en un clima cálido, cuando la temperatura exterior es superior a 60°F (15.6°C) e inferior a 115°F (46.1°C), por lo que no enfriará una habitación si ya está frío afuera.

### La condensación es normal

Los aires acondicionados de hecho bombean el calor y la humedad de su habitación hacia el exterior. La humedad se convierte en agua y el aire acondicionado utiliza la mayor parte del agua para mantener la bobina exterior fresca. Si hay exceso de humedad, puede haber un exceso de agua que goteará afuera. Este es un funcionamiento normal.

### Escarcha

Esto suele ocurrir debido a un flujo de aire insuficiente a través de las bobinas, un filtro sucio, clima húmedo y fresco, o a todos estos. Ajuste el modo de SISTEMA y a SÓLO VENTILADOR  y la escarcha desaparecerá. El ajustar el termostato un poco más tibio probablemente evitará que se repita la escarcha.

### Ruidos

Todas las unidades de aire acondicionado hacen algo de ruido. Las unidades Friedrich están diseñadas para operar lo más silenciosamente posible. Un aire acondicionado montado en una pared es más silencioso que uno montado en una ventana. Es importante asegurarse de que el empaque de sellado del chasis (Artículo 14) se haya instalado correctamente (Vea las instrucciones de instalación).

## Mantenimiento de Rutina

Para garantizar el funcionamiento adecuado de la unidad, los filtros de aire se deben limpiar al menos una vez al mes, y con mayor frecuencia si las condiciones lo ameritan. La unidad debe estar apagada antes de que se limpien los filtros.

### Para Quitar, Lavar y Reemplazar el Filtro

Panel frontal inferior (Vea el Diagrama 2). Utilice la manija del filtro para flexionar el filtro hacia arriba y hacia afuera del retenedor. Retire el filtro de la unidad (Ver el Diagrama 3). Limpie el filtro mensualmente o con mayor frecuencia si es necesario. Consulte la sección de accesorios para ver las opciones de filtro.

### Bobinas y Chasis

**NOTA:** No utilice un producto de limpieza cáustico en las bobinas o en la bandeja de la base. Utilice un producto de limpieza biodegradable y desengrasante. El uso de materiales de limpieza ásperos puede resultar en el deterioro de las aletas de aluminio o de las placas al extremo de la bobina.

La bobina interior y las bobinas exteriores y la bandeja de la base deben ser inspeccionadas periódicamente (anual o semestralmente) y limpiadas de todos los residuos (pelusa, polvo, hojas, papel, etc.) según sea necesario. Bajo condiciones extremas, se puede requerir una limpieza con mayor frecuencia. Limpie las bobinas y la bandeja de la base con un cepillo suave y aire comprimido o aspiradora. También se puede utilizar una lavadora a presión, sin embargo, hay que tener cuidado de no doblar el paquete de aletas de aluminio. Cuando limpie las bobinas a presión, utilice un movimiento de barrido hacia arriba y abajo en la dirección vertical del paquete de aletas de aluminio.

**NOTA:** Es extremadamente importante asegurarse que ninguna de las partes eléctricas y/o electrónicos de la unidad se mojen. Asegúrese de cubrir todos los componentes eléctricos para protegerlos del agua o el rocío.

### Frente Decorativo

La cubierta decorativa y la rejilla de descarga de aire se pueden limpiar con un jabón o detergente suave. No utilice solventes o limpiadores a base de hidrocarburos, tales como acetona, nafta, gasolina, benceno, etc., para limpiar el frente decorativo o las rejillas de descarga de aire.

Utilice un paño húmedo (no mojado) para limpiar el área del control para evitar que le entre agua a la unidad, y haya la posibilidad de dañar el control electrónico.

### Motor del Ventilador y Compresor

El motor del ventilador y el compresor están lubricados permanentemente, y no requieren lubricación adicional.

### Funda de la Pared

Inspeccione el interior de la funda de la pared y drenar el sistema de forma periódica (anual o semestralmente) y limpiar cuando sea necesario. Bajo condiciones extremas, se puede necesitar una limpieza más frecuente. Limpie ambas áreas con un limpiador antibacteriano y contra hongos. Enjuague ambos artículos con agua a fondo y asegúrese de que las salidas de drenaje estén funcionando correctamente. Revise el sellante alrededor de la funda y vuelva a sellar las áreas según sea necesario.

## Servicio y Asistencia

Antes de llamar al servicio técnico, por favor verifique la sección anterior de "Consejos para la Solución de Problemas". Esto le puede ayudar a encontrar la respuesta a su problema, evite las llamadas de servicio innecesarias y ahórrase el costo de una llamada de servicio, si el problema no se debe al producto en sí mismo.

Usted puede encontrar el nombre de su Proveedor de Servicio Local Autorizado, visitado nuestro sitio web en [www.friedrich.com](http://www.friedrich.com).

### Si necesita más ayuda

Usted puede llamar al Centro de Llamadas de Servicio al Cliente al **1-800-541-6645**.

Antes de llamar, asegúrese de tener disponible el modelo y número de serie completo y la fecha de compra de su equipo. Al proporcionarnos esta información, estaremos en mejores condiciones de ayudarle.

### Nuestros especialistas pueden ayudarle con:

- ◆ Especificaciones y Características de nuestro equipo.
- ◆ Remisiones a concesionarios y distribuidores.
- ◆ Información de Uso y Cuidado.
- ◆ Procedimientos de mantenimiento recomendados.
- ◆ Información de instalación.
- ◆ Remisiones a Proveedores de Servicio Autorizados y Tiendas de Refacciones.

## Accesorios Disponibles

### Paquetes de Filtros de Carbono

Cada paquete contiene tres (3) filtros.

**KWCFQ** – Paquete de filtro de carbono para los modelos de chasis "Q".

### Paquetes de Instalación de Ventana

(Estándar en los Modelos Kühl sin Calor)

**KWIKQA**

### Adaptador de Accesorio FriedrichLink™:

**KWIFI** – El Adaptador de Accesorio FriedrichLink™ para el control inalámbrico y opciones adicionales de programación

### Paquetes de Colores del Panel Frontal Decorativo

**KWBGEQA** - Cubierta Frontal Decorativa del Modelo Q en Beige Clásico

**KWBLKQA** - Cubierta Frontal Decorativa del Modelo Q en Negro Ónix

**KWBLUQA** - Cubierta Frontal Decorativa del Modelo Q en Azul Cobalto

**KWPNKQA** - Cubierta Frontal Decorativa del Modelo Q en Rosa Diamante

**KWREDQA** - Cubierta Frontal Decorativa del Modelo Q en Rojo Oscuro

**KWWHTQA** - Cubierta Frontal Decorativa del Modelo Q en Blanco de Diseñador

Ver [www.friedrich.com](http://www.friedrich.com) para accesorios adicionales para su unidad.

## Consejos Para Solucionar Problemas

| QUEJA  | CAUSA   | SOLUCIÓN   |
|--|---|--|
| La Unidad no funciona  | <ul style="list-style-type: none"> <li>La unidad se apaga, o el termostato se satisface.</li> </ul>   | <ul style="list-style-type: none"> <li>Encienda la unidad y suba o baje la temperatura (según corresponda) para activar el funcionamiento.</li> </ul>  |
|  | <ul style="list-style-type: none"> <li>El cable de alimentación LCDI está desconectado.</li> </ul>  | <ul style="list-style-type: none"> <li>Conecte a una toma de corriente de 3 clavijas. Ver "Cuadros de Clasificación Eléctrica" en la pág. 6 para el tipo adecuado de toma de corriente para su unidad.</li> </ul>  |
|  | <ul style="list-style-type: none"> <li>El cable de alimentación del LCDI se ha detonado (el botón de reinicio se ha botado).</li> </ul>   | <ul style="list-style-type: none"> <li>Oprima y suelte el botón RESET (escuche el chasquido, el botón RESET se traba y permanece adentro) para reanudar la operación.</li> </ul>   |
|  | <ul style="list-style-type: none"> <li>El interruptor se ha detonado o se ha fundido el fusible de alimentación del circuito.</li> </ul>  | <ul style="list-style-type: none"> <li>Restablezca el interruptor o reemplace el fusible, según corresponda. Si persiste el problema, póngase en contacto con un electricista certificado.</li> </ul>  |
|  | <ul style="list-style-type: none"> <li>Ha habido un corte de energía local.</li> </ul>  | <ul style="list-style-type: none"> <li>La unidad reanudará el funcionamiento normal una vez que la energía haya sido restaurada.</li> </ul>  |
| La unidad detona el interruptor automático o funde los fusibles.   | <ul style="list-style-type: none"> <li>Otros aparatos están siendo utilizados en el mismo circuito.</li> </ul>  | <ul style="list-style-type: none"> <li>La unidad requiere un circuito de alimentación exclusivo, no uno compartido con otros aparatos.</li> </ul>  |
|  | <ul style="list-style-type: none"> <li>Se está utilizando un cable de extensión.</li> </ul>   | <ul style="list-style-type: none"> <li>NO utilice un cable de extensión con éste o cualquier otro aparato de aire acondicionado.</li> </ul>  |
|  | <ul style="list-style-type: none"> <li>El interruptor o fusible de retardo no es del amperaje adecuado.</li> </ul>  | <ul style="list-style-type: none"> <li>Reemplace con un interruptor o un fusible de retardo con el amperaje adecuado. Vea los "Cuadros de Clasificación Eléctrica" en la pág. 6 para el interruptor/fusible adecuado para su unidad. Si el problema persiste, póngase en contacto con un electricista autorizado.</li> </ul> |
| El Cable de Alimentación del LCDI se Detona (el Botón de Reinicio se Bota).  | <ul style="list-style-type: none"> <li>El cable de alimentación del LCDI se puede detonar (El botón de reinicio se bota), debido a perturbaciones en la línea de alimentación.</li> </ul>                   | <ul style="list-style-type: none"> <li>Oprima y suelte el botón RESET (escuche el chasquido; el botón de reinicio se traba y permanece adentro) para reanudar el funcionamiento normal.</li> </ul>   |
|  | <ul style="list-style-type: none"> <li>La sobrecarga eléctrica, el sobre calentamiento, o un cable torcido puede detonar (el botón de reinicio se bota) el cable de alimentación del LCDI.</li> </ul>       | <ul style="list-style-type: none"> <li>Una vez que se haya determinado y corregido el problema, oprima y suelte el botón RESET (escuche el chasquido; el botón de Reinicio se traba y permanece adentro) para reanudar el funcionamiento</li> </ul>  |
|  | <ul style="list-style-type: none"> <li>NOTA: Un cable de alimentación dañado debe ser sustituido por un nuevo cable de alimentación obtenido del fabricante del producto y no debe ser reparado.</li> </ul> |  |
| La Unidad No Enfría/Calienta la Habitación lo Suficiente, o el Ciclo se Enciende y se Apaga con Demasiada Frecuencia | <ul style="list-style-type: none"> <li>La rejilla de retorno/descarga de aire se bloquea.</li> </ul>  | <ul style="list-style-type: none"> <li>Asegúrese de que las vías de retorno/descarga de aire no estén bloqueadas por cortinas, persianas, muebles, etc.</li> </ul>   |
|  | <ul style="list-style-type: none"> <li>Las ventanas o puertas al exterior están abiertas.</li> </ul>  | <ul style="list-style-type: none"> <li>Asegúrese de que todas las ventanas y las puertas estén cerradas.</li> </ul>  |
|  | <ul style="list-style-type: none"> <li>La temperatura no se ha fijado en una configuración lo suficientemente frío/tibia.</li> </ul>  | <ul style="list-style-type: none"> <li>Ajuste el control de temperatura a una configuración más fría o más tibia según sea necesario.</li> </ul>   |
|  | <ul style="list-style-type: none"> <li>El filtro está sucio u obstruido.</li> </ul>   | <ul style="list-style-type: none"> <li>Limpie el filtro, (Vea el Mantenimiento de Rutina), o elimine la obstrucción.</li> </ul>  |
|  | <ul style="list-style-type: none"> <li>La bobina interior o bobina exterior está sucia u obstruida.</li> </ul>  | <ul style="list-style-type: none"> <li>Limpie el filtro, (Vea el Mantenimiento de Rutina), o elimine la obstrucción.</li> </ul>  |
|  | <ul style="list-style-type: none"> <li>Hay demasiado calor o la humedad (cocina, duchas, etc.) en la habitación.</li> </ul>   | <ul style="list-style-type: none"> <li>Asegúrese de utilizar extractores de ventilación mientras cocina o se baña y, de ser posible, trate de no utilizar aparatos que produzcan calor durante las horas más calurosas del día.</li> </ul>   |
|  | <ul style="list-style-type: none"> <li>La temperatura de la habitación que está tratando de enfriar es extremadamente caliente.</li> </ul>  | <ul style="list-style-type: none"> <li>Permita tiempo adicional para que el aire acondicionado enfríe una habitación muy caliente.</li> </ul>  |

| QUEJA   | CAUSA  | SOLUCIÓN   |
|---|--|--|
| <p>La Unidad No Enfría/Calienta la Habitación lo Suficiente, o el Ciclo se Enciende y se Apaga con Demasiada Frecuencia (continuación).</p> | <ul style="list-style-type: none"> <li>La temperatura exterior es inferior a 60°F (16°C).</li> </ul>   | <ul style="list-style-type: none"> <li>No trate de hacer funcionar el aire acondicionado en el modo de enfriamiento cuando la temperatura exterior sea inferior a 60°F (16°C). La unidad no enfriará adecuadamente, y la unidad se puede dañar.</li> </ul>   |
|   | <ul style="list-style-type: none"> <li>El control digital está puesto en el modo de ventilador en ciclo.</li> </ul>  | <ul style="list-style-type: none"> <li>Puesto que en esta configuración el ventilador no hace circular el aire de la habitación de forma continua, el aire de la habitación no se mezcla tan bien y puede dar lugar a puntos de calor (o frío). Se recomienda usar la configuración de ventilador continuo para obtener los niveles óptimos de confort.</li> </ul>   |
|   | <ul style="list-style-type: none"> <li>El aire acondicionado no tiene suficiente capacidad de enfriamiento para compensar el aumento de calor en la habitación.</li> </ul>   | <ul style="list-style-type: none"> <li>Compruebe la capacidad de enfriamiento de la unidad para asegurarse que es del tamaño adecuado para la habitación en la que está instalado. Las unidades de aire acondicionado no están diseñadas para enfriar varias habitaciones.</li> </ul>  |
|   | <ul style="list-style-type: none"> <li>El aire acondicionado no tiene suficiente capacidad de calentamiento para compensar la pérdida de calor en la habitación.</li> </ul>  | <ul style="list-style-type: none"> <li>Compruebe la capacidad de calefacción de la unidad. Las unidades de aire acondicionado están dimensionadas para satisfacer la carga de enfriamiento, y después se selecciona el tamaño del calentador para satisfacer la carga de calefacción. En climas extremos del norte, las unidades de aire acondicionado pueden no ser capaces de ser utilizadas como una fuente primaria de calor.</li> </ul> |
| <p>La Unidad Corre Demasiado.</p>   | <ul style="list-style-type: none"> <li>Esto se puede deber a una carga de calor excesiva en la habitación.</li> </ul>  | <ul style="list-style-type: none"> <li>Si en la habitación hay aparatos encendidos que producen calor, o si la habitación está muy ocupada, la unidad tendrá que correr más para eliminar el calor adicional.</li> </ul>   |
|   | <ul style="list-style-type: none"> <li>También se puede deber a una unidad de tamaño inadecuado.</li> </ul>  | <ul style="list-style-type: none"> <li>Asegúrese de utilizar extractores de ventilación mientras cocina o se baña y si es posible, trate de no usar aparatos que produzcan calor durante las horas más calurosas del día.</li> </ul>   |
|   | <ul style="list-style-type: none"> <li>Esto puede ser normal para unidades de aire acondicionado de mayor eficiencia energética (EER).</li> </ul>  | <ul style="list-style-type: none"> <li>El uso de componentes de mayor eficiencia en su nueva unidad de aire acondicionado puede resultar en que la unidad corra por más tiempo de lo que usted siente que debería hacerlo. Esto puede ser más evidente, si se sustituyó un modelo antiguo y menos eficiente. El uso real de energía, sin embargo, será significativamente menor en comparación con los modelos más antiguos.</li> </ul>      |
|   | <ul style="list-style-type: none"> <li>Usted puede notar que la temperatura de descarga de aire de su nueva unidad de aire acondicionado puede no parecer tan frío a como usted puede estar acostumbrado en unidades más antiguas. Esto no indica, sin embargo, una reducción en la capacidad de enfriamiento de la unidad.</li> </ul> | <ul style="list-style-type: none"> <li>La proporción de eficiencia energética (EER, en inglés) y la clasificación de capacidad de enfriamiento (Btu/h) que figuran en la placa de la unidad están ambas certificadas por una agencia.</li> </ul>   |





---

**Friedrich Air Conditioning Company**  
**10001 Reunion Place, Suite 500**  
**San Antonio, TX 78216**  
**1-800-541-6645**  
**www.friedrich.com**

## **UNIDADES DE AIRE ACONDICIONADO**

### **GARANTÍA LIMITADA**

#### **PRIMER AÑO**

**CUALQUIERA DE LAS PARTES:** Si cualquiera de las partes suministradas por FRIEDRICH falla debido a un defecto de fabricación o de materiales dentro de los doce meses a partir de la fecha de compra original, FRIEDRICH reparará el producto sin ningún costo, siempre y cuando el aire acondicionado esté razonablemente accesible para el servicio. Cualquier costo de mano de obra adicional, extracción de partes inaccesibles y/o los costos por el millaje relacionado con el viaje por una Agencia de Servicios que exceda de 25 millas en una sola dirección correrá a cargo del propietario. Este recurso está expresamente acordado a ser el recurso exclusivo dentro de los doce meses a partir de la fecha de la compra original.

#### **SEGUNDO AL QUINTO AÑO**

**SISTEMA SELLADO DE REFRIGERACIÓN:** Si el Sistema de Sellado de Refrigeración (definido para este propósito como el compresor, bobina del condensador, bobina del evaporador, válvula de inversión, válvula de retención, capilar, secador de filtro, y toda la tubería de interconexión) suministrado por FRIEDRICH con su unidad de Aire Acondicionado falla debido a un defecto de fabricación o de materiales dentro de los sesenta meses a partir de la fecha de compra, FRIEDRICH pagará el costo de mano de obra y las piezas necesarias para reparar el Sistema Sellado de Refrigeración; EN EL ENTENDIDO QUE FRIEDRICH no pagará el costo del diagnóstico del problema, el retiro, los gastos de envío, y transporte de la unidad de aire acondicionado hacia y desde la Agencia de Servicios, y los gastos de reinstalación asociados con la reparación del Sistema Sellado de Refrigeración. Todos estos costos serán responsabilidad exclusiva del propietario. Este recurso está expresamente acordado a ser el recurso exclusivo dentro de los sesenta meses a partir de la fecha de compra original.

**APLICABILIDAD Y LIMITACIONES:** Esta garantía sólo es aplicable a unidades que permanezcan dentro de los Cincuenta Estados de los EE.UU., Distrito de Columbia y Canadá. Esta garantía no es aplicable a:

1. Filtros de aire o fusibles.
2. Productos en los que el modelo y número de serie haya sido eliminado.
3. Productos que tengan defectos o daños como consecuencia de una mala instalación, cableado, características de corriente eléctrica, o mantenimiento; u ocasionados por accidentes, mal uso o abuso, incendio, inundación, alteraciones y/o uso indebido del producto y/o unidades instaladas en un atmósfera corrosiva, incumplimiento o demora en el desempeño ocasionado por guerra, restricciones o limitaciones del gobierno, huelgas, escasez de materiales fuera del control de FRIEDRICH, o casos de causa mayor.

**HACIENDO VALER LA GARANTIA:** El servicio será proporcionado por el Distribuidor Autorizado o la Organización de Servicio FRIEDRICH en su zona. Están listados en las Páginas Amarillas. Si requiere ayuda en hacer valer la garantía, escríbale a: Gerente de Servicio de Unidades de Aire Acondicionado, Friedrich Air Conditioning Co.

**LIMITACIONES: ESTA GARANTÍA SE OTORGA EN LUGAR DE TODAS LAS DEMÁS GARANTÍAS.** Empero cualquier cosa en la garantía, CUALQUIER GARANTÍA IMPLÍCITA DE IDONEIDAD PARA UN PROPÓSITO EN PARTICULAR Y/O COMERCIALIZACIÓN SERÁ LIMITA A LA DURACIÓN DE ESTA GARANTÍA EXPRESA. EL FABRICANTE RENUNCIA EXPRESAMENTE Y SE EXCLUYE DE CUALQUIER RESPONSABILIDAD POR LOS DAÑOS INDIRECTOS O INCIDENTALES POR INCUMPLIMIENTO DE LAS GARANTÍAS EXPRESAS O IMPLÍCITAS.

**NOTA:** Algunos estados no permiten limitaciones en la duración de una garantía implícita, o no permiten la limitación o exclusión de daños indirectos o incidentales, por lo que las exclusiones y limitaciones anteriores pueden no aplicarle a usted.

**OTROS:** Esta garantía le otorga derechos legales específicos, y usted también puede tener otros derechos que varían de estado a estado.

**COMPROBANTE DE COMPRA:** El propietario debe presentar el comprobante de compra para poder recibir todos los servicios relacionados con la garantía.

Todas las llamadas al servicio técnico para explicar el funcionamiento de este producto será responsabilidad exclusiva del consumidor.

Todo servicio de garantía debe ser proporcionado por una Agencia Autorizada de Servicio FRIEDRICH, salvo autorización expresa de FRIEDRICH previo a las reparaciones que se estén por realizar.



## Kühl Q Chassis<sup>®</sup>

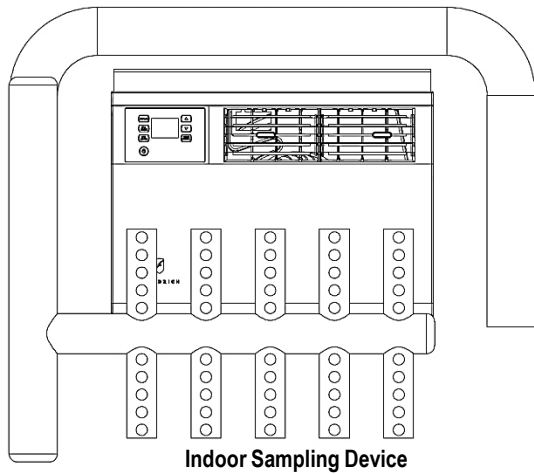
### Performance Testing Installation and Test Method

The following instructions only apply to laboratory test procedures and do not apply to actual product installation and operation.

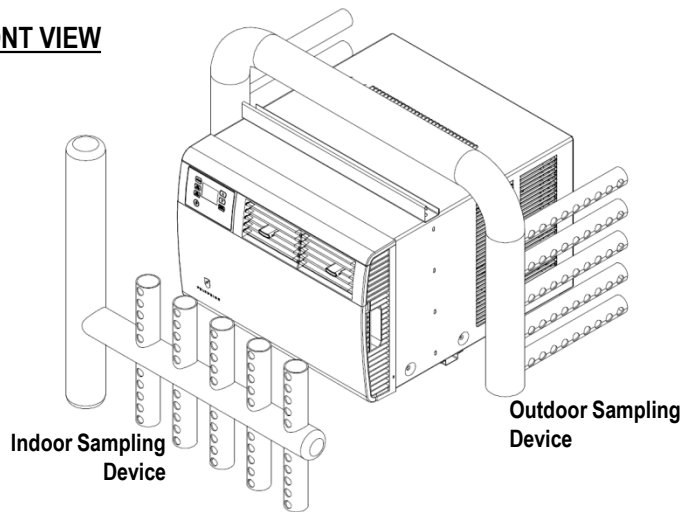
ANSI/ASHRAE Standard 16-1983 (RA 2009) Method of Testing for Rating Room Air Conditioners and Packaged Terminal Air Conditioners shall be adhered to when testing for obtaining cooling capacity and airflow quality for rating this room air conditioning unit.

Maximum cooling capacity must be achieved in accordance with the following instructions:  
For maximum capacity and efficiency, air shall be sampled 4 to 6 inches away from the intake of the unit. See images below:

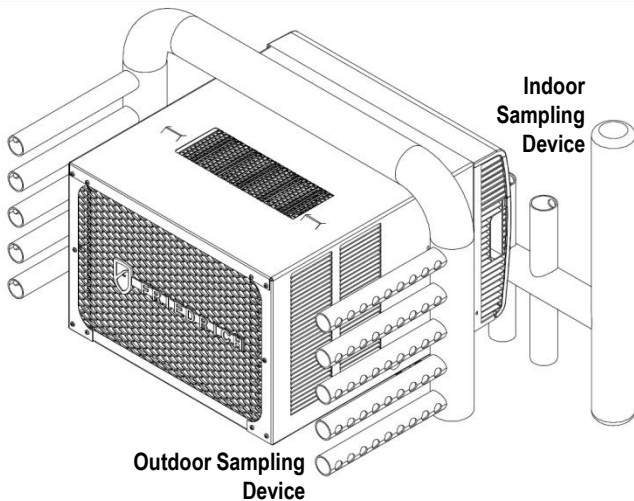
**FRONT VIEW**



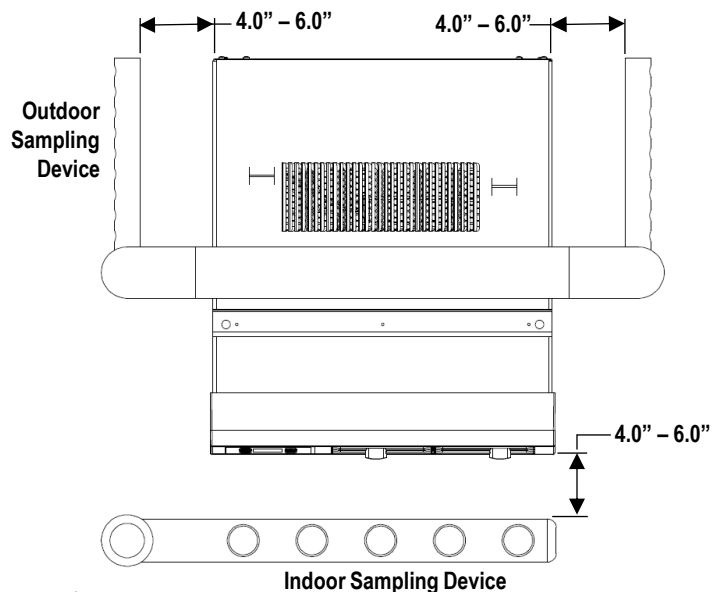
**FRONT VIEW**



**BACK VIEW**



**TOP VIEW**



The indoor and outdoor air sampling devices must comply with:  
ASHRAE 41.1-1986 (RA 2006) - Method for Temperature Measurement  
ASHRAE 41.6-1994 (RA 2006) - Method for Measurement of Moist Air Properties

*NOTE: Images of the sampler are for display purposes and not to scale*



## Kühl Q Chassis<sup>®</sup>

### Performance Testing Installation and Test Method *continued*

#### Test Unit Installation

As per ANSI/ASHRAE Standard 16-1983 (RA 2009), section 4.2.2, this air conditioner shall be installed per the instructions specified in this Installation & Operation Manual.

#### Test Unit Settings

Louver position:

- Louvers shall be kept in the recessed position (not extended)
- Louvers shall be centered (not directed left or right) and pointed upward.

Fan speed:

- Fan shall be set to the highest speed setting
  - HIGH 

System Operation:

- Unit shall be operating in "Cool" Mode



**Friedrich Air Conditioning Co.**  
**10001 Reunion Place, Suite 500 • San Antonio, Texas 78216**  
**1-800-541-6645**  
**[www.friedrich.com](http://www.friedrich.com)**

**Printed in the U.S.A.**