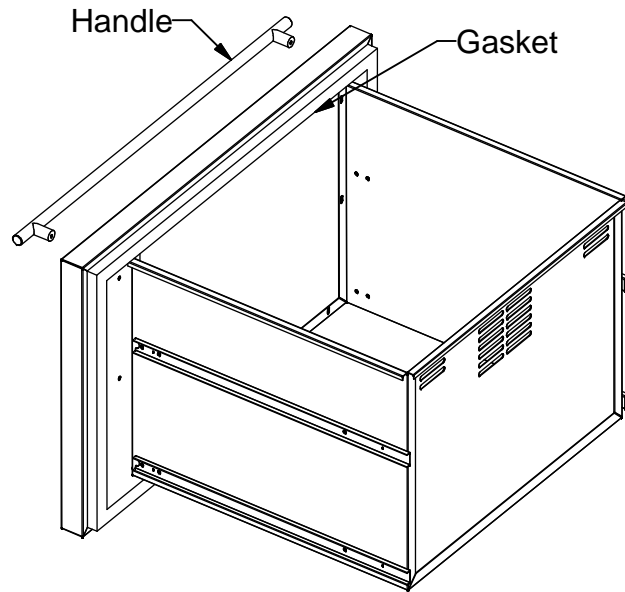


# Directions for Applying Overlay Panel



## **Materials Supplied:**

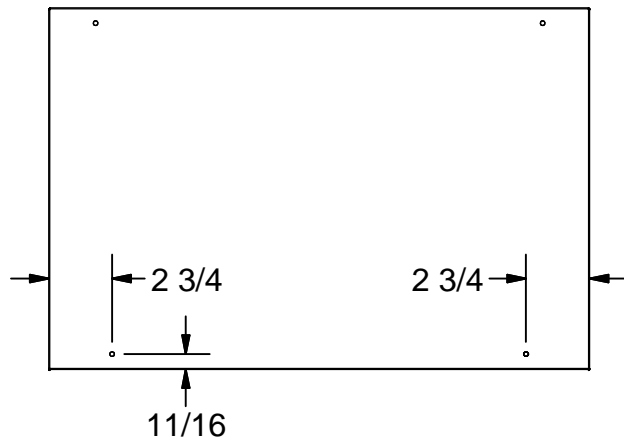
1 - Drill Bit 3/16"

4 - Screws M4 x 25 Flat Hd Phillips (For Handle)

8 - Screws #10 x 1.75 Type AB Phillips

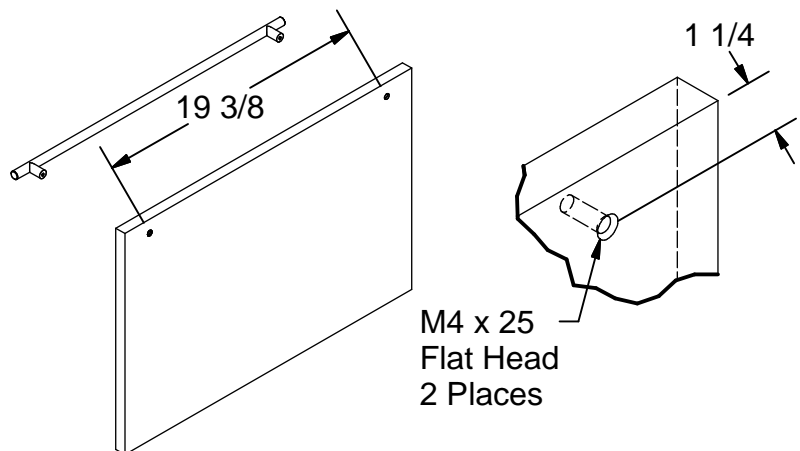
## Step 1

- 1) Remove both drawers from unit by opening drawers and pushing in black tabs on either side of the slides. You must hold in tabs to disengage slide.
- 2) Peel back gasket (Fig A) and remove 2 screws to remove handle.
- 3) Throw out the 2 screws that attach the handle.



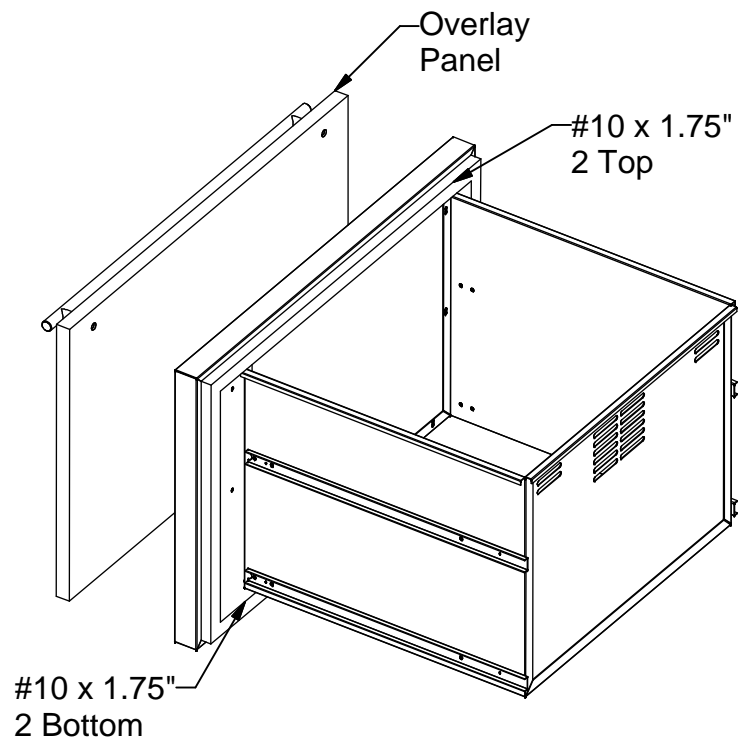
## Step 2

- 1) Drill the bottom 2 holes shown in the drawing using the supplied drill bit on the drawer front.
- 2) Cut overlay panels as follows:  
Top: 23-7/16 x 15-11/16  
Bottom: 23-7/16 x 12- 9/16



## Step 3

- 1) If reusing the handle that came with the unit, drill two holes 19 3/8" apart and a minimum of 1 1/4" from the top.
- 2) Screw handle on using the supplied screws. Drive screws flush with panel. Screws are designed for 3/4" overlay panel. If thickness other than this is used, customer will supply.



## Step 4

- 1) Peel back the gasket and attach the overlay panel to the drawer face using the 4 supplied screws and thru the 4 existing clearance holes.
- 2) Install both drawers back into unit.