

# SCR1841



34.25" x 17.75" x 23.5" (H x W x D)

18" wide commercial glass door beverage cooler for built-in or freestanding use, with digital controls and LED light

### Highlights:

Less than 18" wide for a perfect fit

Flexible design allows built-in or freestanding use under counters

Digital thermostat offers precise and convenient temperature control

Factory-installed lock provides security you can count on

### Product Features:

Built-in capable	Make the best use of space by installing your appliance under the counter
Fully finished black cabinet	Allows the unit to be used freestanding
Glass door with stainless steel trim	Provides a full display of stored contents with a heat-safe double tempered design
Factory installed lock	Keyed security on the door
Digital thermostat	Electronic controls for precise temperature management.
Digital display	Temperature readout can be shown in Celsius or Fahrenheit
LED lighting	Gentle illumination with an on/off switch
Automatic defrost	Reduced maintenance with the convenience of auto defrost
Adjustable chrome shelves	Rearrange interior space to accommodate all sizes or remove shelves for simple cleanup

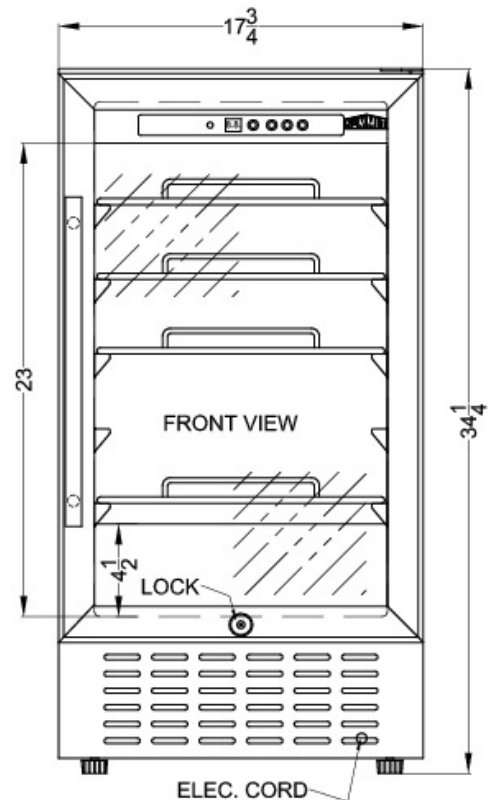
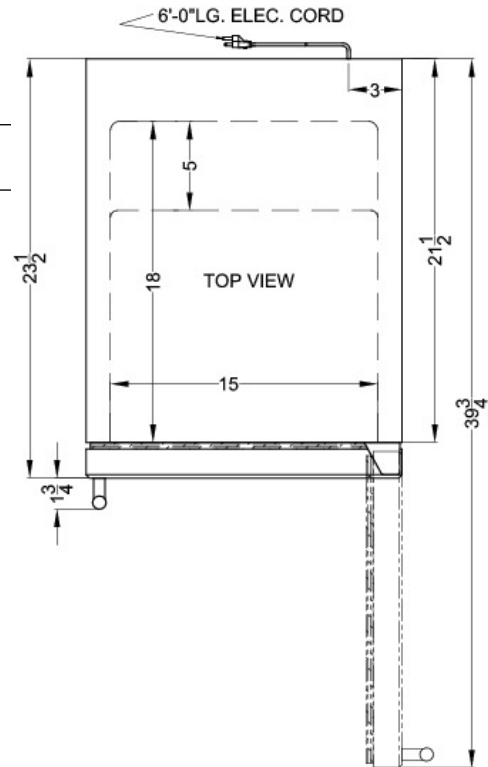


## SCR1841 Specifications:

Overview	
Height	34.25"
Width	17.75"
Depth	23.5"
Depth with Handle	25.25"
Depth with door at 90°	39.75"
Capacity	3.3 cu.ft.
Defrost Type	Automatic
Door	Glass
Cabinet	Black
US Electrical Safety	ETL
Canadian Electrical Safety	ETL-C
Sanitation	ETL-S
Amps	2.0
Voltage/Frequency	115 V AC/60 Hz
Weight	85.0 lbs.
Shipping Weight	95.0 lbs.
Parts & Labor Warranty	1 Year
Compressor Warranty	5 Years
Refrigerator Features	
Door Swing	RHD
Reversible	Yes
Shelf Type	Chrome
Shelf Qty	4
Thermostat Type	Digital
Fan Type	Interior and Exterior
Refrigerant Type	R134a
Refrigerant Amount	2.11
High Side PSI	270.0
Low Side PSI	103.0
Level Legs Qty	2
Interior Light	Yes
Dimensions	
Interior Height	23.0"
Interior Width	14.25"
Interior Depth	18.0"
Compressor Step Height	4.5"

Compressor Step Width

Compressor Step Depth



SUMMIT APPLIANCE DIVISION FELIX STORCH, INC.

770 Garrison Avenue, Bronx, NY 10474 USA TEL 718-893-3900 FAX 844-478-8799

info@summitappliance.com

www.summitappliance.com