

Gaggenau

Installation instructions.....2
Instructions d'installation.....17
Instrucciones de instalación.....33

VL 414 110 / AA 490 710

Downdraft ventilation
Aérateur de plan de cuisson
Extractor de superficie

Safety Definitions

 **WARNING**

This indicates that death or serious injuries may occur as a result of non-observance of this warning.

 **CAUTION**

This indicates that minor or moderate injuries may occur as a result of non-observance of this warning.

NOTICE: This indicates that damage to the appliance or property may occur as a result of non-compliance with this advisory.

Note: This alerts you to important information and/or tips.



IMPORTANT SAFETY INSTRUCTIONS

READ AND SAVE THESE INSTRUCTIONS

INSTALLER: LEAVE THESE INSTRUCTIONS WITH THE APPLIANCE AFTER INSTALLATION IS COMPLETE.

IMPORTANT: SAVE THESE INSTRUCTIONS FOR THE LOCAL ELECTRICAL INSPECTOR'S USE.

WARNING

If the information in this manual is not followed exactly, fire or shock may result causing property damage or personal injury.

WARNING

Do not repair, replace or remove any part of the appliance unless specifically recommended in the manuals. Improper installation, service or maintenance can cause injury or property damage. Refer to this manual for guidance. All other servicing should be done by a qualified technician.

WARNING

WARNING – TO REDUCE THE RISK OF FIRE, ELECTRIC SHOCK, OR INJURY TO PERSONS, OBSERVE THE FOLLOWING

- Installation work and electrical wiring must be done by qualified person(s) in accordance with all applicable codes and standards, including fire-rated construction.
 - Sufficient air is needed for proper combustion and exhausting of gases through the flue (chimney) of fuel burning equipment to prevent back drafting. Follow the heating equipment manufacturer's guideline and safety standards such as those published by the National Fire Protection Association (NFPA), and the American Society for Heating, Refrigeration and Air Conditioning Engineers (ASHRAE), and the local code authorities.
 - When cutting or drilling into wall or ceiling, do not damage electrical wiring and other hidden utilities.
 - Ducted fans must always be vented to the outdoors.
-

WARNING

Risk of fire

Grease deposits in the grease filter can catch fire. Never work with a naked flame near the appliance (e.g. flambéing). Install the unit near a heat-producing appliance for solid fuels (e.g. wood or coal) only if there is a closed, non-detachable cover. There must be no flying sparks.

WARNING

To reduce the risk of fire, use only metal ductwork.

IMPORTANT SAFETY INSTRUCTIONS

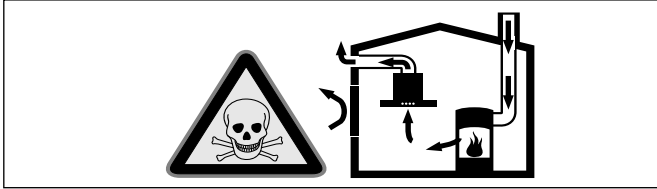
READ AND SAVE THESE INSTRUCTIONS

WARNING

Mortal danger

Back-aspirated combustion gases can cause poisoning.

Always ensure sufficient fresh air when the appliance is used in the air extraction mode at the same time as a room air-dependent heat-producing appliance.

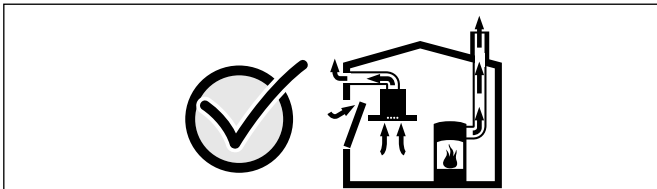


Room air-dependent heat-producing appliances (e.g. gas, oil, wood or coal-operated heaters, continuous flow heaters or water heaters) obtain combustion air from the room in which they are installed and discharge the exhaust gases into the open through an exhaust gas system (e.g. a chimney).

In combination with an activated vapor extraction hood, room air is extracted from the kitchen and neighboring rooms, and a partial vacuum is produced if not enough fresh air is supplied. Toxic gases from the chimney or the extraction shaft are sucked back into the living space.

- Adequate incoming air must therefore always be ensured.
- An incoming/exhaust air wall box alone will not ensure compliance with the limit.

Safe operation is possible only whenever the partial vacuum in the place where the hearth is installed does not exceed 4 Pa (0.04 mbar). This can be achieved whenever the air needed for combustion is able to enter through openings that cannot be sealed, for example in doors, windows, incoming/exhaust air wall boxes or by other technical means.



In any case, consult your responsible chimney sweep. He is able to assess the house's entire ventilation setup and will suggest the suitable ventilation measures to you.

Unrestricted operation is possible if the vapor extraction hood is operated exclusively in the recirculation mode.

Appliance Handling Safety

Hidden surfaces may have sharp edges. Use caution when reaching behind or under appliance.

Safety Codes and Standards

This appliance complies with one or more of the following Standards:

- **UL 858, The Standard for the Safety of Household Electric Ranges**
- **UL 923, The Standard for the Safety of Microwave Cooking Appliances**
- **UL 507, The Standard for the Safety of Electric Fans**
- **ANSI Z21.1, The American National Standard for Household Cooking Gas Appliances**
- **CAN/CSA-C22.2 No. 113-M1984 Fans and Ventilators**
- **CAN/CSA-C22.2 No. 61-M89 Household Cooking Ranges**

It is the responsibility of the owner and the installer to determine if additional requirements and/or standards apply to specific installations.

Electric Safety

GROUNDING INSTRUCTIONS

This appliance must be grounded. In the event of an electrical short circuit, grounding reduces the risk of electric shock by providing an escape wire for the electric current.

This appliance is equipped with a cord having a grounding wire with a grounding plug. The plug must be plugged into an outlet that is properly installed and grounded.

WARNING

WARNING

Improper grounding can result in a risk of electric shock. Consult a qualified electrician if the grounding instructions are not completely understood, or if doubt exists as to whether the appliance is properly grounded. Do not use an extension cord. If the power supply cord is too short, have a qualified electrician install an outlet near the appliance.



IMPORTANT SAFETY INSTRUCTIONS

READ AND SAVE THESE INSTRUCTIONS

WARNING

Before you plug in an electrical cord or turn on power supply, make sure all controls are in the OFF position.

For appliances equipped with a cord and plug, do not cut or remove the ground prong. It must be plugged into a matching grounding type receptacle to avoid electrical shock. If there is any doubt as to whether the wall receptacle is properly grounded, the customer should have it checked by a qualified electrician.

If required by the National Electrical Code (or Canadian Electrical Code), this appliance must be installed on a separate branch circuit.

WARNING

To reduce the risk of fire or electric shock, do not use this fan with any solid-statespeed control device.

Installer – show the owner the location of the circuit breaker or fuse. Mark it for easy reference.

Before installing, turn power OFF at the service panel. Lock service panel to prevent power from being turned ON accidentally.

WARNING

TO REDUCE THE RISK OF FIRE, ELECTRIC SHOCK, OR INJURY TO PERSONS, OBSERVE THE FOLLOWING:

- Use this unit only in the manner intended by the manufacturer. If you have questions, contact the manufacturer.
- Before servicing or cleaning unit, switch power off at service panel and lock the service disconnecting means to prevent power from being switched on accidentally.
When the service disconnecting means cannot be locked, securely fasten a prominent warning device, such as a tag, to the service panel.

Be sure your appliance is properly installed and grounded by a qualified technician. Installation, electrical connections and grounding must comply with all applicable codes.

WARNING

Risk of electric shock

Parts inside the appliance can have sharp edges. The connection cable can be damaged. Do not bend or pinch connection cables during installation.

Related Equipment Safety

Remove all tape and packaging before using the appliance. Destroy the packaging after unpacking the appliance. Never allow children to play with packaging material.

The appliance is only guaranteed safe to use if installed by a specialist in accordance with these installation instructions. The installer is liable for any damage resulting from incorrect installation.

Never modify or alter the construction of the appliance. For example, do not remove leveling legs, panels, wire covers or anti-tip brackets/screws.

State of California Proposition 65 Warnings

WARNING

This product contains chemicals known to the State of California to cause cancer, birth defects or other reproductive harm.

General notes

Exhaust air mode

Note: Ventilation may not exit through an already operational smoke or exhaust chimney, nor a duct used for ventilating furnace installation areas.

- If the ventilation is intended to pass through a smoke or exhaust that is not in operation, the responsible area heating inspector must give approval.
- If the ventilation passes through an external wall, use a telescope wall sleeve.

Ventilation line

Note: The manufacturer does not assume any warranty for complaints attributable to the pipe section.

- The device achieves its optimum performance by means of a short, straight exhaust air pipe and as large a pipe diameter as possible.
- The optimum extraction performance is not achieved and fan noise is increased if exhaust air pipes are long and rough and if there is a large number of pipe bends or diameters less than 5 ¹⁵/₁₆" (150 mm).
- The pipes or hoses for laying the exhaust air line must consist of non-combustible material.

Round pipes

An inner diameter of 5 ¹⁵/₁₆" (150 mm), but at least 4 ³/₄" (120 mm), is recommended.

Flat ducts

The inner cross-section must correspond to the diameter of the round pipes.

Ø 5 ¹⁵/₁₆" (150 mm) approx. 27 ½ sq in (177 cm²)

Ø 4 ³/₄" (120 mm) approx. 17 ½ sq in (113 cm²)

- Flat ducts should have no sharp deflections.
- Use sealing strip for deviating pipe diameters.

Electrical connection

WARNING

Risk of electric shock

Parts inside the appliance can have sharp edges. The connection cable can be damaged. Do not bend or pinch connection cables during installation.

Check your domestic installation before installing the appliance. Pay attention to suitable fusing of your domestic installation. The voltage and frequency of the appliance must agree with the electrical installation (see rating plate).

The appliance complies with protective class I and may only be operated with a PE conductor connection.

The installation must contain a disconnecter with a contact opening of at least 1/8" (3 mm) that isolates all poles from the mains. It must still be accessible after installation.

Only an electrical specialist may lay or replace the connecting lead, paying attention to the applicable regulations.

If the mains connecting lead of this appliance is damaged, it must be replaced with a special connecting lead, which is obtainable from the manufacturer or the manufacturer's after-sales service.

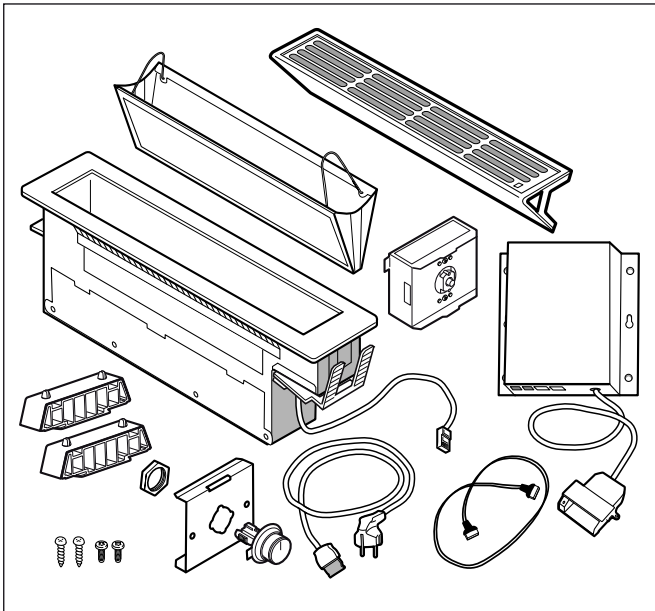
Before You Begin

Tools and Parts Needed

- Screwdriver Torx T20
- Pencil
- Drill with ¼" (6 mm) bit
- Jigsaw
- Tape Measure

Note: Additional materials may be necessary for installation in solid surface countertops. Contact the countertop manufacturer.

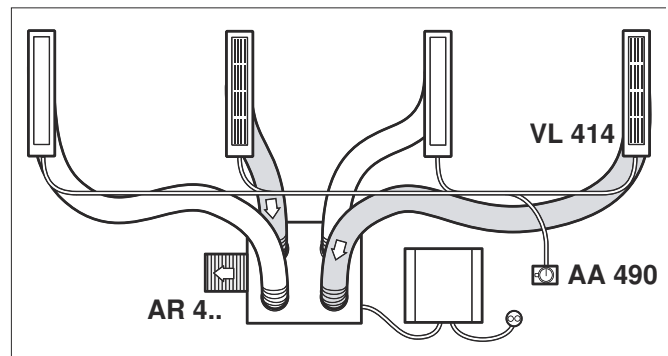
Parts Included



Installation accessories

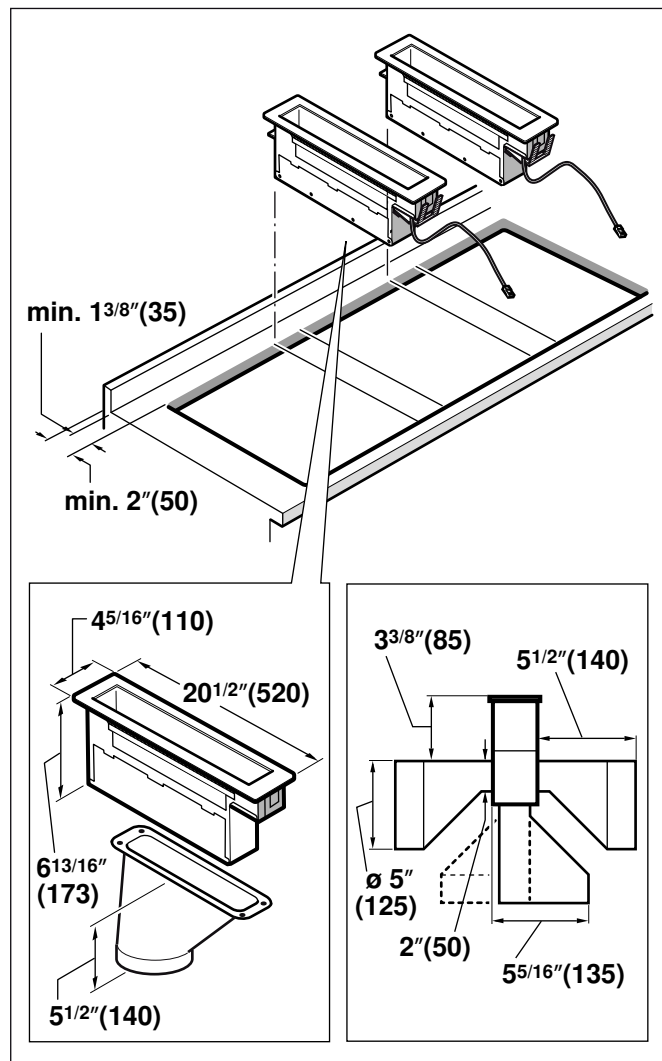
- VA 420 000 Connection strip for combination with other Vario appliances in the 400 series for flush installation
- VA 420 001 Connection strip for combination with other Vario appliances in the 400 series for flush installation with appliance cover/compensation strip
- VA 420 010 Connection strip for combination with other Vario appliances in the 400 series for surface-mounted installation
- VA 420 011 Connection strip for combination with other Vario appliances in the 400 series for surface-mounted installation with appliance cover/compensation strip
- VA 450 110 11 cm compensation strip for depth compensation when using several Vario appliances
- AD 724 040 Connection piece for round duct system DN 125 mm. For lateral connection to VL 414 the additional adaptor AD 724 041 is required.
- AD 724 041 Connection piece for round duct system NW 125 mm. Required for lateral connection to VL 414.
- AD 854 046 Connection piece for flat duct system with air guidance louvers, 1x DN 150 mm, flat
- AS 070 000 Connection piece for extension for installation next to VK or VF

Installation schematic



Appliance dimensions

To achieve optimum extraction performance, the maximum width of one single cooktop between two ventilation elements should be $23\frac{5}{8}$ " (60 cm).



Prepare Installation Space

The kitchen unit must be heat-resistant to at least 200°F (90°C). The stability of the unit must be maintained after producing the cut-out.

Produce the cut-out in the countertop for one or more Vario appliances as shown in the installation sketch. The angle between the cut surface and the countertop must be 90° .

The cut edges at the sides must be flat to ensure a good fit of the retaining springs on the appliance. In laminated worktops, it may be necessary to fit strips at the sides of the cut-out.

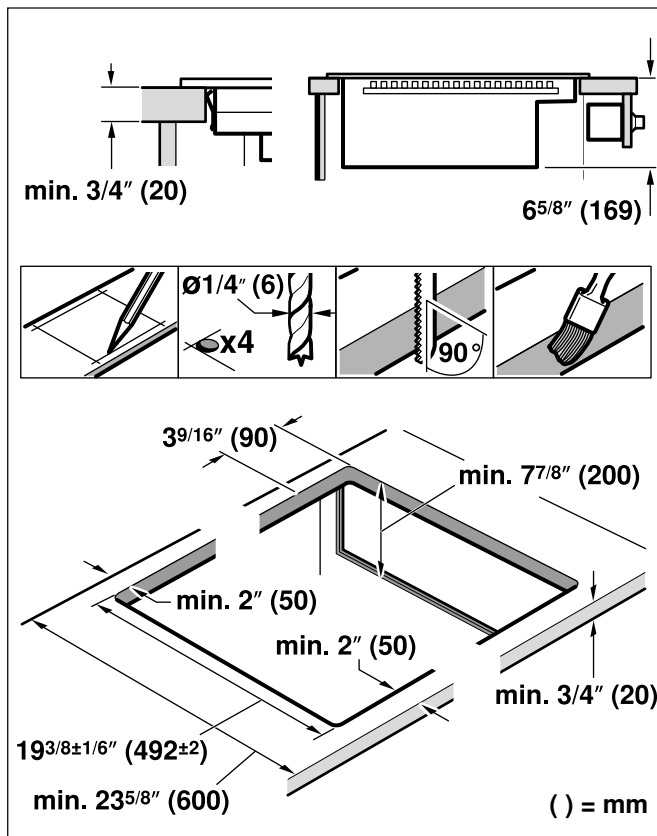
Remove shavings after cutting. Seal cut surfaces for resistance to heat and so they are watertight.

Pay attention to a minimum gap of $\frac{3}{8}$ " (10 mm) from the underside of the appliance to kitchen units.

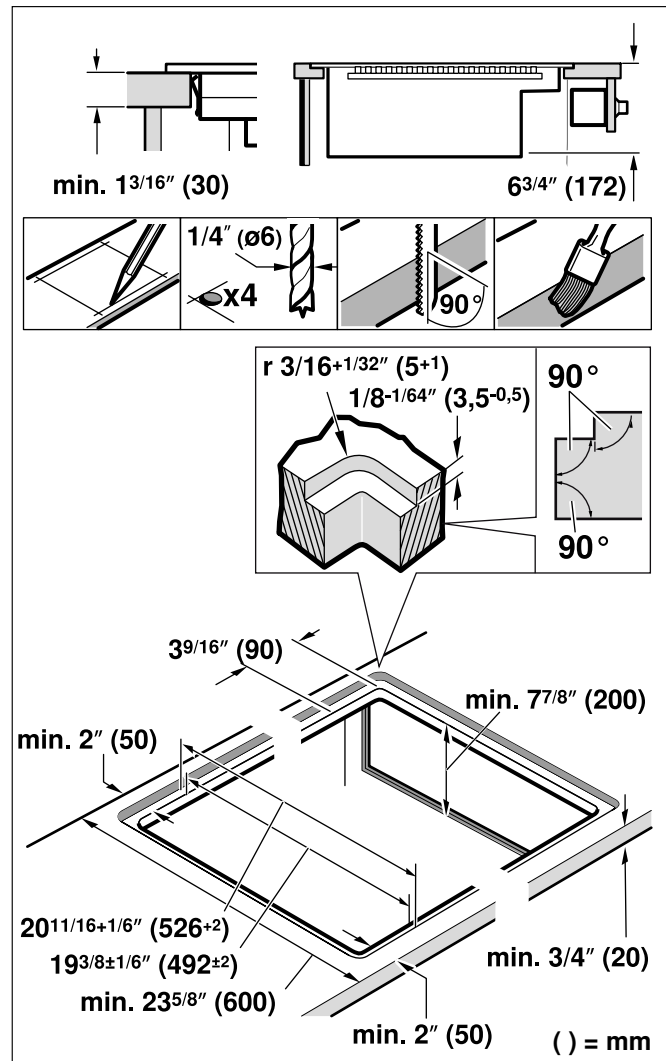
Use suitable base constructions to ensure load-carrying capacity and stability, especially in the case of thin countertops. Pay attention to the weight of the appliance, including any payload. Reinforcement material used must be resistant to heat and moisture.

Note: Wait until the appliance has been installed in the installation opening before checking that it is level.

Cutting out countertop



Flush mounting: Flush mounting into a countertop is possible.



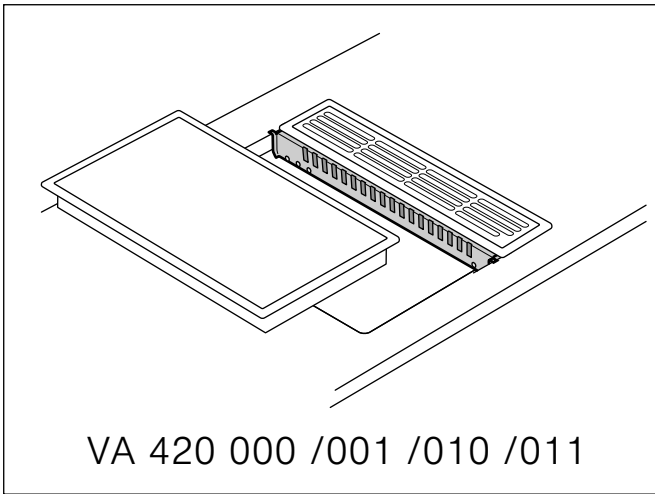
Flush installation: The appliance can be installed in the following temperature- and water-resistant countertops:

- Stone countertops
- Plastic countertops (such as Corian®)
- Solid wood countertops: Only in consultation with the manufacturer of the countertop (seal cut-out edges)
- Installation in other countertops only in consultation with the manufacturer of the countertop.

Installation in countertops made of particleboard is not possible.

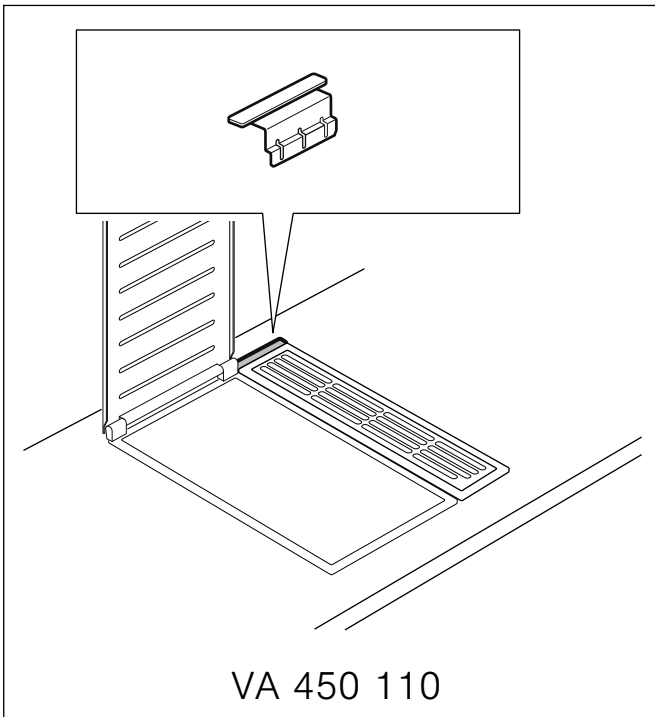
Note: Any cut-out work on the countertop must be performed in a workshop according to the installation diagram. The cut-out must be made cleanly and precisely since the cut-out edge is visible on the surface. Clean and degrease the cut-out edges with a suitable cleaning agent (bear in mind silicone manufacturer's processing instructions).

Combining several Vario devices: The connecting strip VA 420 000/001/010/011 is required for the combination of several Vario appliances. This is available separately as a special accessory. Consider additional space requirement for the connecting strip between the appliances when making the cut-out (see installation instructions VA 420 000/001/010/011).



Appliances can also be installed in individual cut-outs, bearing in mind a minimum distance between the devices of 2" (51 mm).

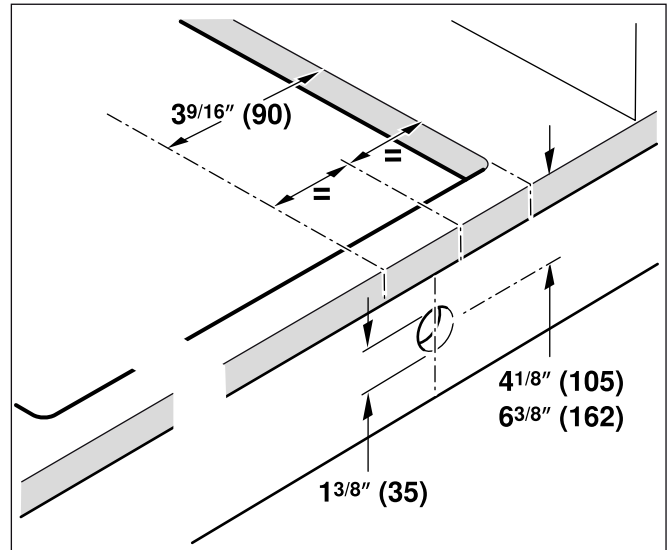
When combining several appliances with or without appliance cover, you can use the appliance extensions VA 450 110/-400/-600/-800/-900 (depending on appliance width) to balance out dimension differences.



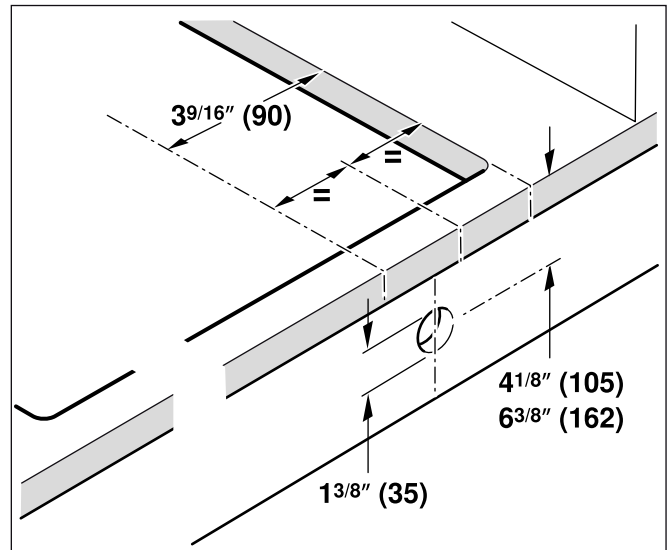
Hole for control knobs

The built-in control panel can be integrated in the bottom cupboard at drawer level. Panel thickness: $\frac{5}{8}$ " - 1" (16 - 26 mm)

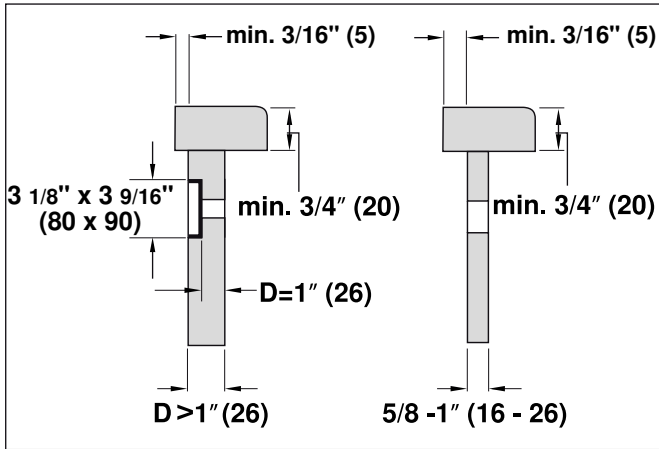
- 1 As shown in the figure, produce the $\text{Ø } 1 \frac{3}{8}$ " (35 mm) holes for fastening the control knobs in the front of the bottom cupboard. A drilling template is provided for exact positioning of the drill holes.



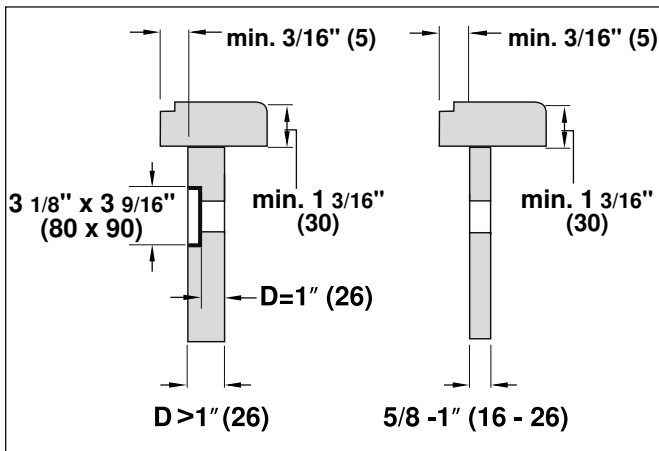
For flush installation:



- 2 If the front panel is more than 1" (26 mm) thick: mill out the rear of the front panel so that it is no thicker than 1" (26 mm). Choose the dimensions of the milled recess according to the control panel.



For flush installation:

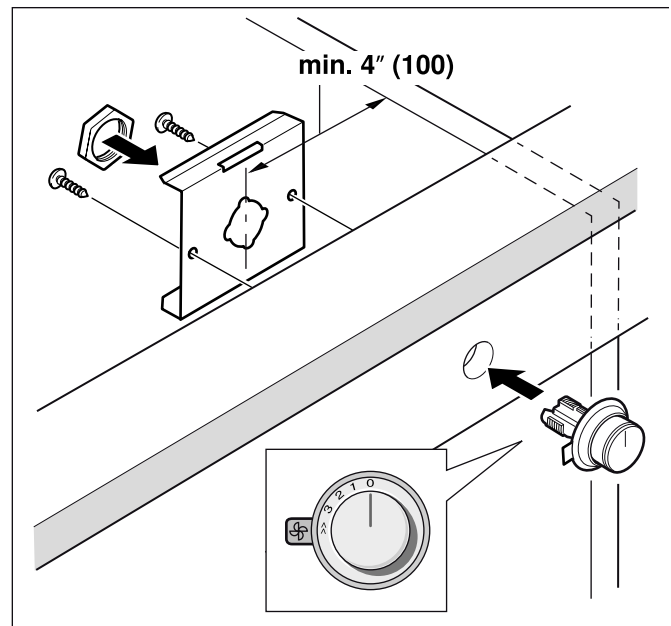


Installation Procedure

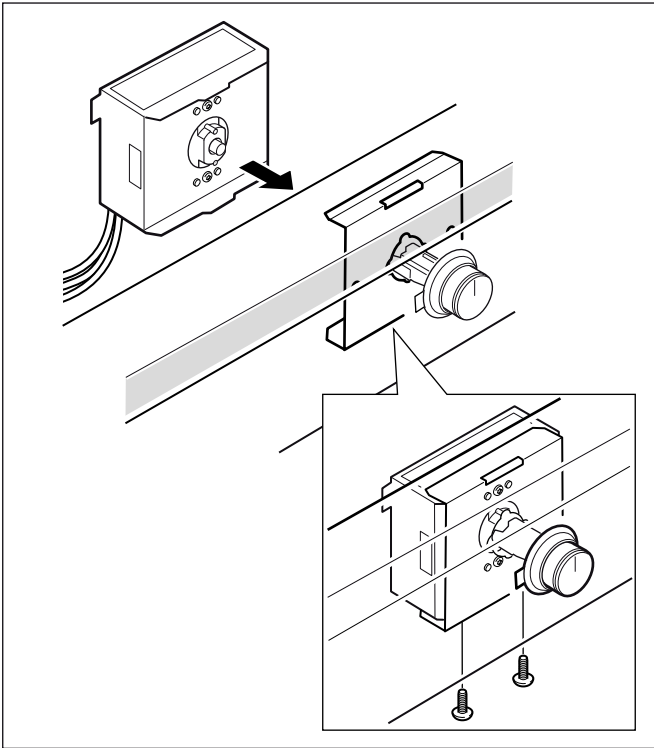
Installation of control console

Note: Only install the appliance in conjunction with the corresponding control console.

- 1 Remove the packaging of the control knobs and the protective film from the light rings.
- 2 Hold the bracket against the front panel from the rear. Insert the control knob in the holes from the front and screw it down from the rear with the nut.



- 3 Using the screws included, bolt down the control panel on the bracket.



CAUTION

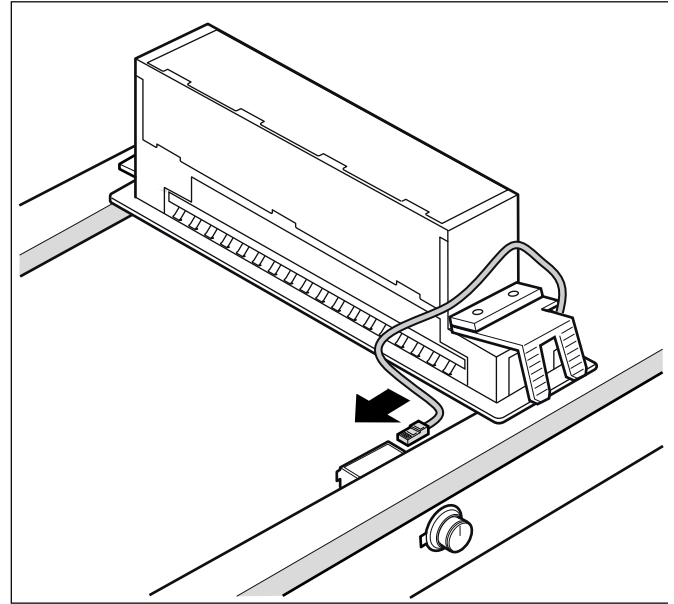
Appliance damage! Establish equipotential bonding. Before the control cables may be plugged onto the control panel, the stranded grounding wire from the control unit must be fitted on the control panel.

Install Appliance

WARNING

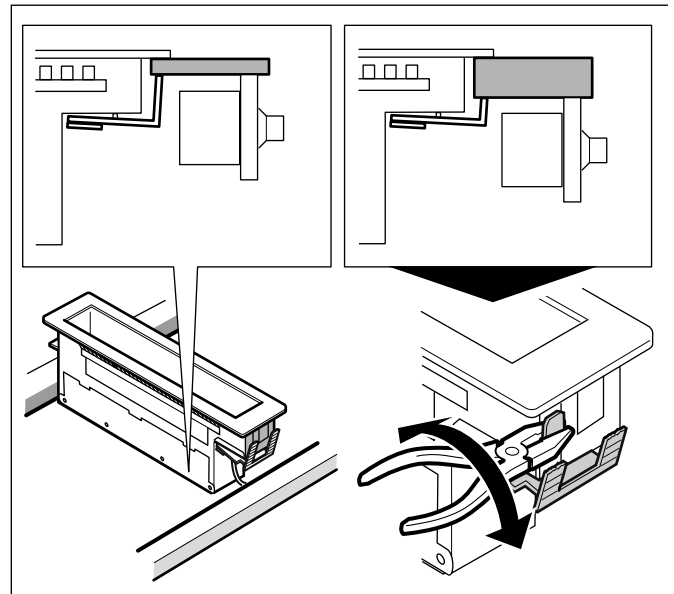
Before you plug in an electrical cord or turn on power supply, make sure all controls are in the OFF position.

- 1 Insert the control cable in the socket on the appliance. The plug must engage.



- 2 Shorten the front cooktop clamp according to the thickness of the worktop. Break off plates at the predetermined breaking point.

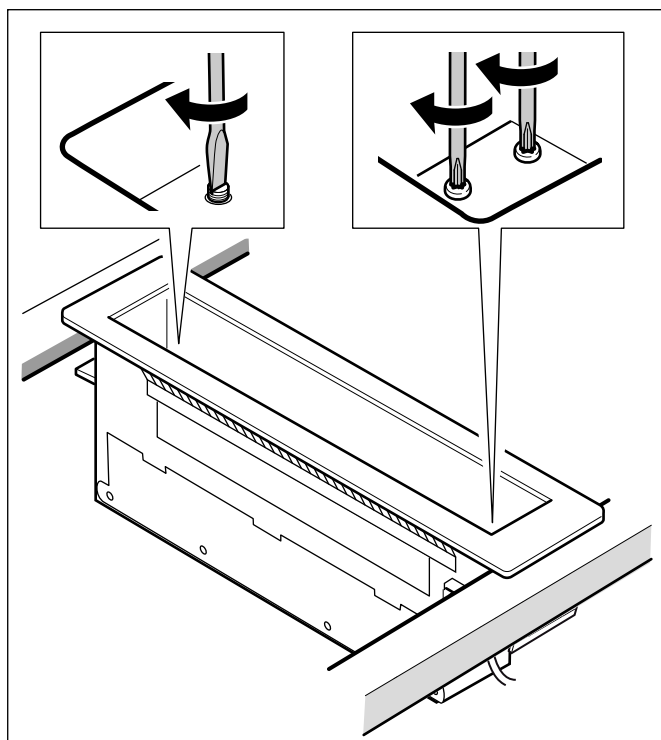
Note: Make sure you do not shorten too much. The clamping effect with respect to the worktop must be ensured.



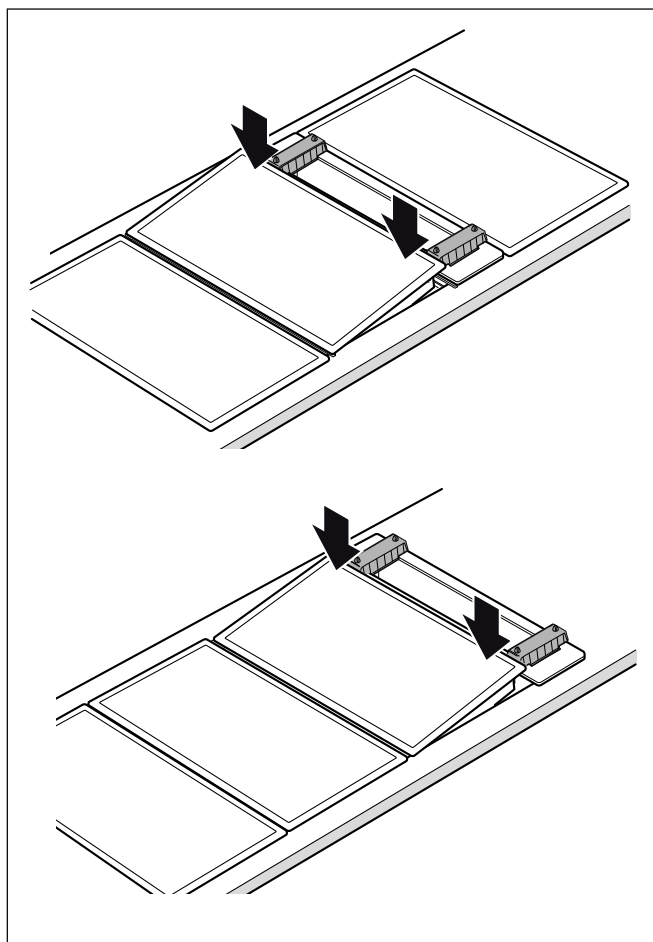
Horizontally insert the appliance in the recess and align it. Tighten the cooktop clamp with the screws in the interior of the appliance.

Notes

- Do not tighten the cooktop clamp too tightly, and pay attention to an even, all-round sealing gap.
- The rear cooktop clamp swivels out on its own when tightened.
- The appliance must not be adhered to the worktop with silicone.



- The installation aid protects the appliance edges from damage.

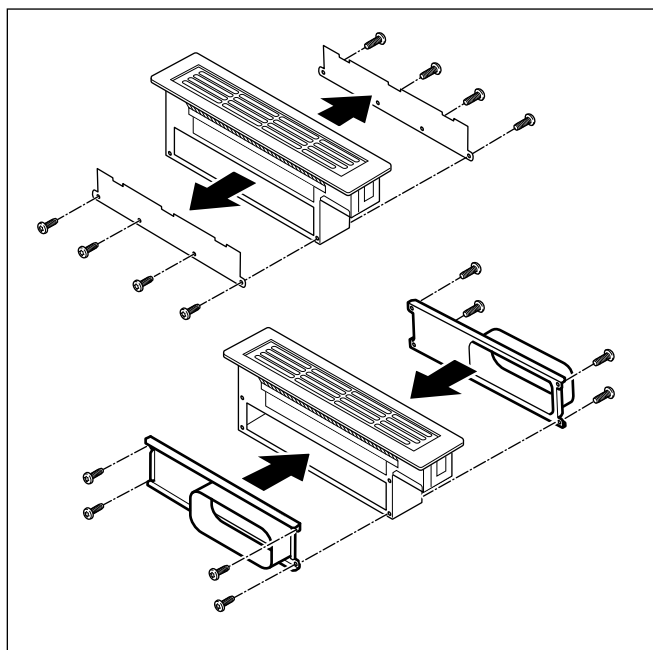


- 3** Use the installation aid. Horizontally insert the downdraft ventilation unit in the recess and align it. Remove the sealing element. Insert the installation aid at an angle into the ventilation recess and align it vertically to the appliance. Position the appliance at an angle in front of the downdraft ventilation unit and press it into the recess via the installation aid. Remove the installation aid. Fasten the downdraft ventilation unit as described above.

Notes

- You must use the included installation aid if the downdraft ventilation unit is in a combination with several Vario appliances in the last or last but one position.

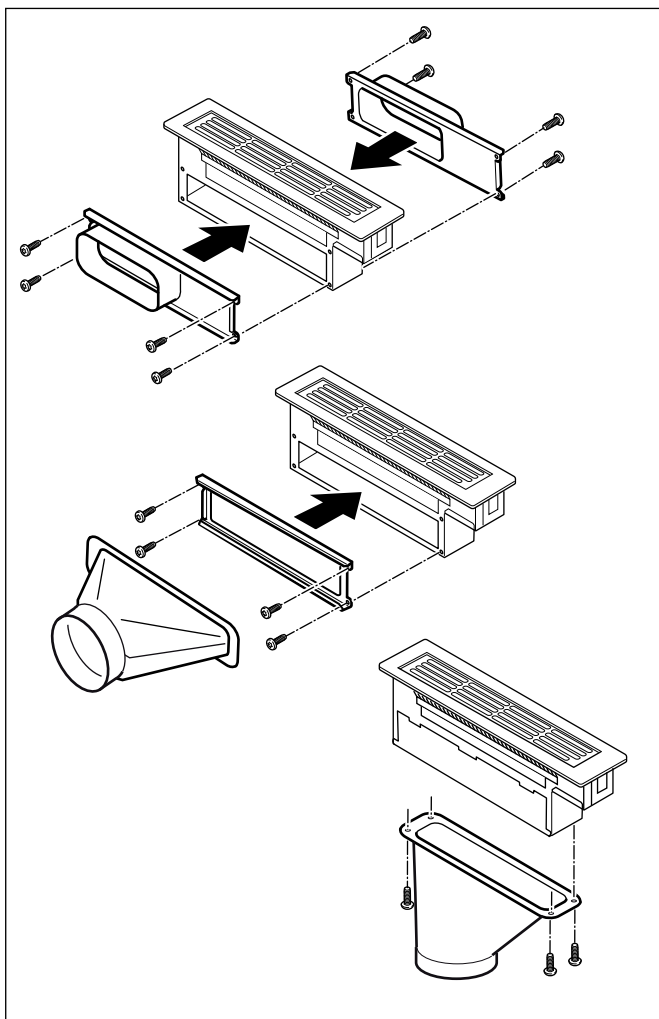
- 4** Fit the connection piece in the required position.



Notes

- The flat duct can only be connected underneath induction appliances.

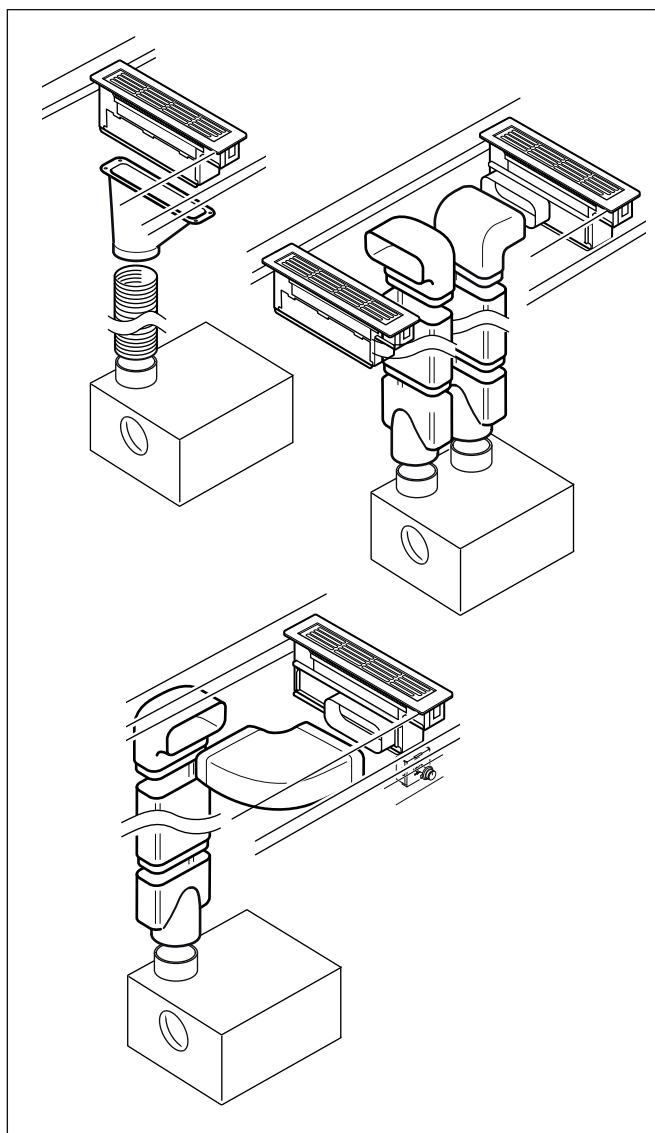
- Depending on the installation situation, the exhaust air can be guided in three different directions.
- Corresponding to the space conditions, the connection piece can be turned by 180°.
- For details of exhaust air guidance, also refer to the instructions for the remote fan unit.



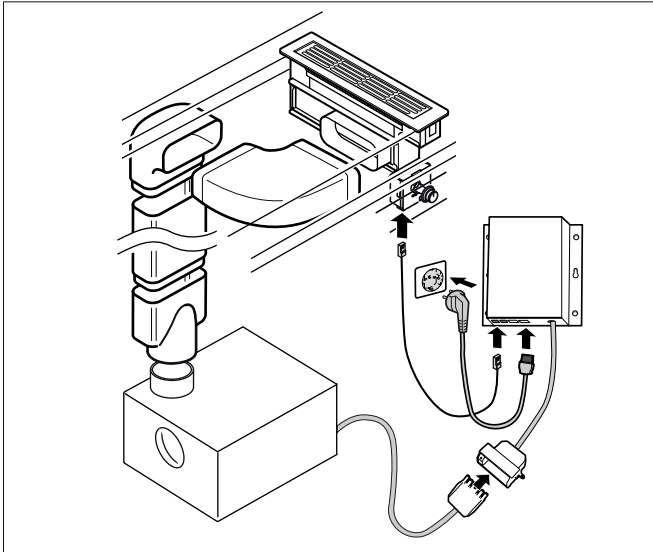
- 5 Secure the exhaust air pipe to the connecting pieces and seal appropriately..

Notes

- The extracted air from gas-fired appliances must not be guided through flat ducts. Due to the higher extracted air temperature, these may become deformed.
- When combined with gas-fired appliances, use aluminium pipes.
- If you use an aluminium pipe, smooth the connection area beforehand..



- 6 Insert the control cable from the control unit in the socket on the appliance. Plug together the supply cables of the control unit and of the remote fan unit. The plugs must engage. Connect the control unit to the mains and check that it is working. If the appliance is not working, check that the connecting cables are fitted correctly.



- 7 **Flush installation only: it is imperative to test functioning before jointing!** Joint the surrounding gap with a suitable, temperature-resistant silicone adhesive (such as OTTOSEAL® S 70). Smoothen the seal joint with smoothing agent recommended by the manufacturer. Observe the notes on processing the silicone adhesive. Do not operate the appliance until the silicone adhesive has dried completely (at least 24 hours, depending on room temperature).

NOTICE: Unsuitable silicone adhesive used on natural stone worktops will cause permanent discoloration.

Connect Electrical Supply

Refer to data plate for more information. See "Service" for data plate location.

The branch-circuit breakers ampacity, the wire sizes and the connections must be conform to the requirements of the National Electrical Code or Canadian Electrical Code and all local codes and ordinances.

Attach flexible conduit to the junction box. Connect the lead wires to the junction box supply wires in proper phase:

- black (L1) to black
- red (L2) to red
- green to ground

The mains connecting cable must at least correspond to the type SJTO 3x16 AWG 105°C. The mains connecting cable must only be purchased through and connected by an authorised specialist.

Connection with a plug

- Plug has to be conform with NEMA CONFIGURATIONS FOR PLUGS AND RECEPTACLES.
- The appliance must be properly grounded.
- Plug must be rated not less than type 6-20 P (2-pole 3-wire grounding).
- Only a qualified electrician should connect the plug.
- Install a socket outlet earthed in accordance with regulations approx. 27" (700 mm) above the floor behind the appliance. The socket outlet must still be accessible after installation.

Ventilation molding

If downdraft ventilation is used next to a gas appliance, a ventilation molding AA 414 010 must be fitted on the gas appliance during cooking. The ventilation molding improves extraction when using gas appliances. The ventilation molding prevents extinction of small flames due to the draft.

AA 414 010 Ventilation molding, for operation next to the VG 414/415/424/425 gas appliance

Removing appliance

Disconnect the appliance from the power supply. For flush-mounted appliances, remove the silicone joint. Push out the appliance from below.

CAUTION

Damage to appliance! Don't lever device out from above at the frame.


Customer service

If your appliance needs repairs, our customer service is there for you. We work hard to help solve problems quickly and without unnecessary service calls, getting your appliance back up and running correctly in the least amount of time possible.

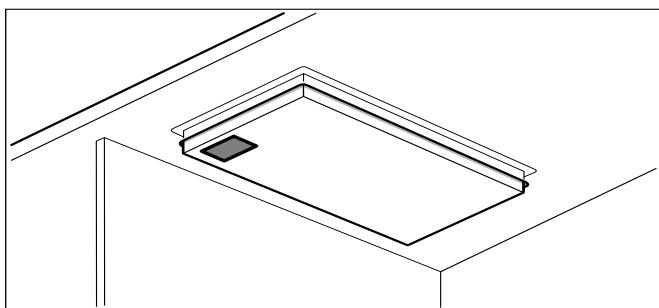
When you call, please indicate the product number (E-Nr.) and serial number (FD-Nr.) so that we can support you in a qualified manner. You will find the type plate with these numbers on the bottom of the appliance. To avoid having to search for a long time when you need it, you can enter your appliance data and the customer support telephone number here.

E-Nr.

FD-Nr.

Customer Service 

Please read the installation instructions and use and care instructions provided with your appliance. Failure to do so may result in an error in using the appliance. This could result in a service call that instead of fixing a mechanical issue is only needed for customer education. Such calls are not covered by the appliance warranty.



Please find the contact data of all countries in the enclosed customer service list.

To book an engineer visit and product advice

USA 877 442 4436
 toll-free

CANADA 800 828 9165

You can rely on the manufacturer's expertise. Rest assured that the repair will be handled by trained service technicians who have the original replacement parts for your appliance.

Définitions de Sécurité

AVERTISSEMENT

Le non-respect de cet avertissement peut entraîner la mort ou des blessures graves.

ATTENTION

Le non-respect de cet avertissement peut entraîner des blessures mineures ou modérées.

AVIS : Vous indique que des dommages à l'appareil ou aux biens peuvent survenir si vous ne respectez pas cet avertissement.

Remarque : Vous signale des informations importantes ou des conseils.



CONSIGNES DE SÉCURITÉ IMPORTANTES

LIRE ET CONSERVER CES INSTRUCTIONS

INSTALLATEUR : LAISSEZ CES INSTRUCTIONS
AVEC L'APPAREIL APRÈS UNE FOIS
L'INSTALLATION TERMINÉE.

IMPORTANT : CONSERVER CES INSTRUCTIONS
POUR L'USAGE DE L'INSPECTEUR ÉLECTRIQUE
LOCAL.

AVERTISSEMENT

Si l'information de ce guide n'est pas suivie
exactement, il peut en résulter un incendie ou un choc
électrique causant des dommages à la propriété, des
blessures ou la mort.

AVERTISSEMENT

Ne pas réparer ni remplacer toute pièce de l'appareil
à moins que cela ne soit expressément recommandé
dans ce manuel. Ne jamais modifier ni altérer la
configuration de l'appareil. Toute installation,
réparation ou maintenance inadéquate peut entraîner
des blessures ou des dommages matériels. Se
reporter à ce manuel pour obtenir des conseils sur la
façon de procéder. Toute réparation doit être
effectuée par un centre de réparation autorisé par
l'usine.

AVERTISSEMENT

ATTENTION – AFIN DE RÉDUIRE LES RISQUES
D'INCENDIE, DE CHOC ÉLECTRIQUE OU DE
BLESSURES CORPORELLES, VEUILLEZ SUIVRE
LES INSTRUCTIONS SUIVANTES :

- Les travaux d'installation et de raccordement
électrique doivent être effectués par une
personne qualifiée, conformément aux codes et
standards de construction, y compris ceux
concernant le feu.
 - Assurez-vous que l'aération est suffisante pour
permettre la combustion et l'évacuation des gaz
par le conduit de cheminée d'un appareil à
combustible afin de prévenir le refoulement d'air.
Respectez les instructions du fabricant de
l'appareil de chauffage et les normes de sécurité,
comme celles publiées par la National Fire
Protection Association (NFPA) et par la American
Society for Heating, Refrigeration and Air
Conditioning Engineers (ASHRAE), ainsi que par
les autorités locales.
 - Lorsque vous faites une ouverture dans un mur ou
un plafond, veillez à ne pas endommager les fils
électriques ou les conduites qui y sont
dissimulés.
 - Les soufflantes canalisées doivent donner sur
l'extérieur.
-

AVERTISSEMENT

Risque d'incendie

Les dépôts se trouvant dans le filtre à graisse peuvent
s'enflammer. Ne jamais cuisiner à proximité de
l'appareil avec une flamme ouverte (par exemple pour
faire flamber). Installer l'appareil près d'un foyer pour
combustibles solides (bois ou charbon par exemple)
seulement s'il y a un couvercle fermé et non amovible.
Il ne faut pas qu'il se produise de projection
d'étincelles.

AVERTISSEMENT

Pour réduire les risques de feu, utiliser uniquement
des gaines en métal.

CONSIGNES DE SÉCURITÉ IMPORTANTES

LIRE ET CONSERVER CES INSTRUCTIONS

AVERTISSEMENT

Danger de mort

Les gaz de combustion réaspirés peuvent provoquer des intoxications.

Toujours assurer un apport d'air frais suffisant lorsque l'appareil est utilisé en même temps qu'un foyer consommant de l'air ambiant.

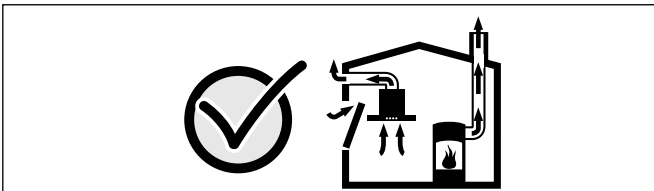


Les foyers à air ambiant (par exemples les chauffages à gaz, à bois, à fioul ou à charbon, les chauffe-eau instantanés, les ballons d'eau chaude) prennent l'air de combustion dans la pièce où ils sont installés et rejettent les gaz de fumée à l'air libre par un dispositif spécifique (cheminée par exemple).

Lorsqu'une hotte aspirante est en marche, elle prélève dans la cuisine et les pièces voisines de l'air ambiant, ce qui peut entraîner une dépression si l'apport d'air frais est insuffisant. Des gaz toxiques sont alors réaspirés dans la cheminée ou l'évacuation de la hotte et restitués aux pièces d'habitation.

- Il faut donc toujours s'assurer que l'apport d'air frais est suffisant.
- Un caisson mural d'entrée et de sortie d'air ne suffit pas à assurer la valeur minimale nécessaire.

Pour garantir un fonctionnement sans risques, la dépression ne doit pas dépasser 4 Pa (0,04 mbar) dans la pièce où est installé le foyer. Pour y parvenir, il faut que l'air nécessaire à la combustion puisse entrer par des ouvertures non obturables (dans des portes ou fenêtres), associées à des caissons muraux d'entrée et sortie d'air, ou bien avoir recours à d'autres moyens techniques.



Demandez toujours conseil au maître ramoneur compétent qui pourra évaluer l'ensemble du réseau de ventilation de la maison et vous proposer le moyen le mieux adapté pour l'aération.

Si la hotte aspirante marche exclusivement en mode recyclage, aucune restriction de fonctionnement n'est à prendre en compte.

Sécurité de manipulation de l'appareil

Certaines surfaces peuvent avoir des bords tranchants. Faire attention en étendant le bras derrière l'appareil ou en dessous.

Codes et normes de sécurité

Cet appareil est conforme à une ou plusieurs des normes suivantes :

- **UL 858, norme pour la sécurité des cuisinières électriques domestiques**
- **UL 923, norme pour la sécurité des appareils de cuisson à micro-ondes**
- **UL 507, norme pour la sécurité des ventilateurs électriques**
- **ANSI Z21.1, norme nationale américaine pour les appareils de cuisson à gaz domestiques**
- **CAN/CSA-C22.2 No. 113-M1984, Ventilateurs et soufflantes**
- **CAN/CSA-C22.2 No. 61-M89, Cuisinières pour usage ménager**

Il incombe au propriétaire et à l'installateur de déterminer si des exigences additionnelles et/ou normes s'appliquent pour des installations spécifiques.

Sécurité électrique

INSTRUCTIONS DE MISE À LA TERRE

L'appareil doit être mis à la terre. En cas de court-circuit électrique, la mise à la terre réduit le risque de choc électrique en permettant au courant de s'échapper.

Cet appareil est équipé d'un cordon comportant un conducteur de terre et une fiche de terre. La fiche doit être branchée dans une prise installée et mise à la terre de manière conforme.



CONSIGNES DE SÉCURITÉ IMPORTANTES

LIRE ET CONSERVER CES INSTRUCTIONS

AVERTISSEMENT

ATTENTION

Si la mise à la terre n'est pas faite de manière conforme, il existe un risque de choc électrique. Consulter un électricien qualifié dans le cas où les instructions de mise à la terre ne sont pas comprises ou s'il existe un doute sur la conformité de la mise à la terre de l'appareil. Ne pas utiliser de cordon prolongateur. Si le cordon d'alimentation électrique est trop court, demander à un électricien qualifié d'installer une prise près de l'appareil.

AVERTISSEMENT

Avant de brancher un cordon électrique ou de mettre l'appareil sous tension, s'assurer que les commandes sont en position d'ARRÊT.

Pour les appareils dotés d'un cordon et d'une fiche, ne pas couper ou enlever la broche de mise à la terre. Le cordon doit être branché dans une prise de courant adaptée de type mise à la terre pour éviter tout risque d'électrocution. S'il y a un doute en ce qui concerne la mise à la terre de la prise murale, le client devra s'adresser à un électricien qualifié.

S'il y a lieu, conformément au Code national de l'électricité (ou au Code canadien de l'électricité), cet appareil doit être installé sur un circuit de dérivation séparé.

AVERTISSEMENT

Pour réduire le risque de feu ou de choc électrique, ne pas utiliser cet aérateur avec un variateur de vitesse à semi-conducteur.

Installateur – Indiquer au propriétaire l'emplacement du disjoncteur ou du fusible. Identifier sa position pour pouvoir le retrouver facilement.

Avant l'installation, mettre l'appareil hors service au panneau de service. Verrouiller le panneau d'entrée d'électricité pour éviter que le courant ne soit accidentellement rétabli.

AVERTISSEMENT

AFIN DE RÉDUIRE LES RISQUES D'INCENDIE, DE CHOC ÉLECTRIQUE OU DE BLESSURES CORPORELLES, VEUILLEZ SUIVRE LES INSTRUCTIONS SUIVANTES :

- Utilisez cet appareil seulement de manière conforme à l'usage prévu par le fabricant. Si vous avez des questions, contactez le fabricant.
- Avant le nettoyage ou l'entretien de l'appareil, mettez-le hors tension sur le tableau électrique et verrouillez les dispositifs de sectionnement afin d'empêcher toute remise sous tension accidentelle.
S'il est impossible de verrouiller les dispositifs de sectionnement, fixez de manière sûre au tableau électrique un dispositif d'alerte bien visible, par exemple une étiquette.

S'assurer que l'appareil est installé et mis à la terre par un technicien qualifié. L'installation, les connexions électriques et la mise à la terre doivent être conformes à tous les codes applicables.

AVERTISSEMENT

Risque de choc électrique

Les pièces se trouvant dans l'appareil peuvent présenter des arêtes vives. Le cordon de branchement peut être endommagé. Ne pas couder ni coincer le cordon de branchement pendant la pose.

Sécurité apparentée concernant l'équipement

Enlever le ruban adhésif et l'emballage avant d'utiliser l'appareil. Détruire l'emballage après avoir déballé l'appareil. Ne jamais laisser les enfants jouer avec les matériaux de conditionnement.

L'utilisation sécuritaire n'est garantie que si l'installation de la table de cuisson se fait par un spécialiste conformément à ces instructions. L'installateur est responsable de tout dommage résultant d'une installation incorrecte.

Ne jamais modifier ni altérer la configuration de l'appareil. Par exemple, ne pas retirer les pieds de nivellement, les panneaux, les couvercles de câblage ou les fixations/vis antibasculement.



CONSIGNES DE SÉCURITÉ IMPORTANTES

LIRE ET CONSERVER CES INSTRUCTIONS

Avertissements de la Proposition 65 de l'État de la Californie

AVERTISSEMENT

Ce produit contient des produits chimiques connus de l'État de la Californie pour causer le cancer, des anomalies congénitales ou d'autres problèmes de reproduction.

Instructions générales

Mode évacuation

Remarque : Il ne faut pas rejeter l'air usé dans une cheminée d'évacuation en service, ni dans un conduit servant à la ventilation de pièces où sont installés des foyers.

- Pour rejeter l'air dans un conduit de fumées qui n'est pas en service, il faut demander l'accord du maître ramoneur compétent.
- Si l'air est évacué à travers le mur extérieur de l'habitation, il faut utiliser un caisson mural télescopique.

Conduit d'évacuation

Remarque : Le fabricant de l'appareil n'assume aucune garantie pour les problèmes dus à la tuyauterie.

- L'appareil atteint sa puissance maximale si le tuyau d'évacuation est court et droit et a un diamètre le plus grand possible.
- L'emploi de tuyaux d'évacuation longs et à surface rugueuse, comportant de nombreux coudes ou ayant un diamètre inférieur à 150 mm (5 ¹⁵/₁₆"), empêche l'appareil d'atteindre sa puissance d'aspiration maximale et le bruit de fonctionnement est plus fort.
- Les tuyaux rigides et souples utilisés pour le conduit d'évacuation doivent être fabriqués dans un matériau non inflammable.

Tuyaux ronds

Un diamètre intérieur de 150 mm (5 ¹⁵/₁₆") est préconisé, avec un minimum de 120 mm (4 ³/₄").

Conduits plats

La section intérieure doit être conforme au diamètre des tuyaux ronds.

Ø 150 mm (5 ¹⁵/₁₆"), environ 177 cm² (27 ¹/₂ sq in)

Ø 120 mm (4 ³/₄"), environ 113 cm² (17 ¹/₂ sq in)

- Les conduits plats ne doivent pas présenter de coudes trop serrés.
- Si les tuyaux utilisés n'ont pas tous le même diamètre, utiliser des bandes d'étanchéité.

Branchement électrique

⚠ AVERTISSEMENT

Risque de choc électrique

Les pièces se trouvant dans l'appareil peuvent présenter des arêtes vives. Le cordon de branchement peut être endommagé. Ne pas couder ni coincer le cordon de branchement pendant la pose.

Avant de procéder au branchement électrique, vérifier l'installation du logement. S'assurer que l'installation électrique du logement est suffisamment protégée. La tension et la fréquence de l'appareil doivent correspondre à celles de l'installation électrique (voir la plaquette d'identification).

L'appareil est de la classe de protection I et doit obligatoirement être raccordé à une prise avec terre.

Il faut prévoir dans l'installation un disjoncteur multipolaire ayant une distance d'ouverture des contacts d'au moins 3 mm (¹/₈") et restant accessible après la pose.

Seul un électricien qualifié est habilité à poser ou à remplacer le cordon d'alimentation électrique, dans le respect des règles et normes en vigueur.

Si le cordon d'alimentation électrique de cet appareil est endommagé, il faut le remplacer par un cordon spécial disponible auprès du fabricant ou de son service après-vente.

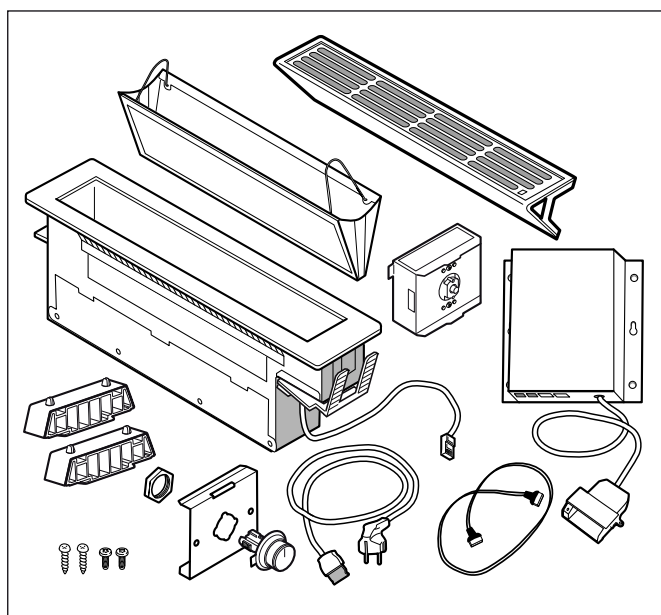
Avant de commencer

Outils et pièces nécessaires

- Tournevis à empreinte Torx T20
- Crayon
- Perceuse avec mèche 1/4" po (6 mm)
- Scie sauteuse
- Ruban à mesurer

Remarque : Des matériaux supplémentaires peuvent être nécessaires pour installer les plans de travail à surface solide. Contacter le fabricant du plan de travail.

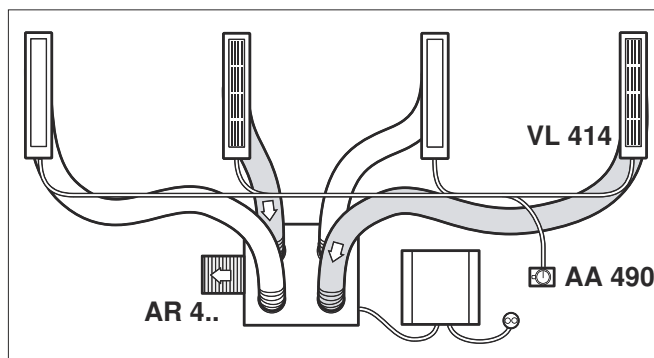
Pièces comprises



Accessoires d'installation

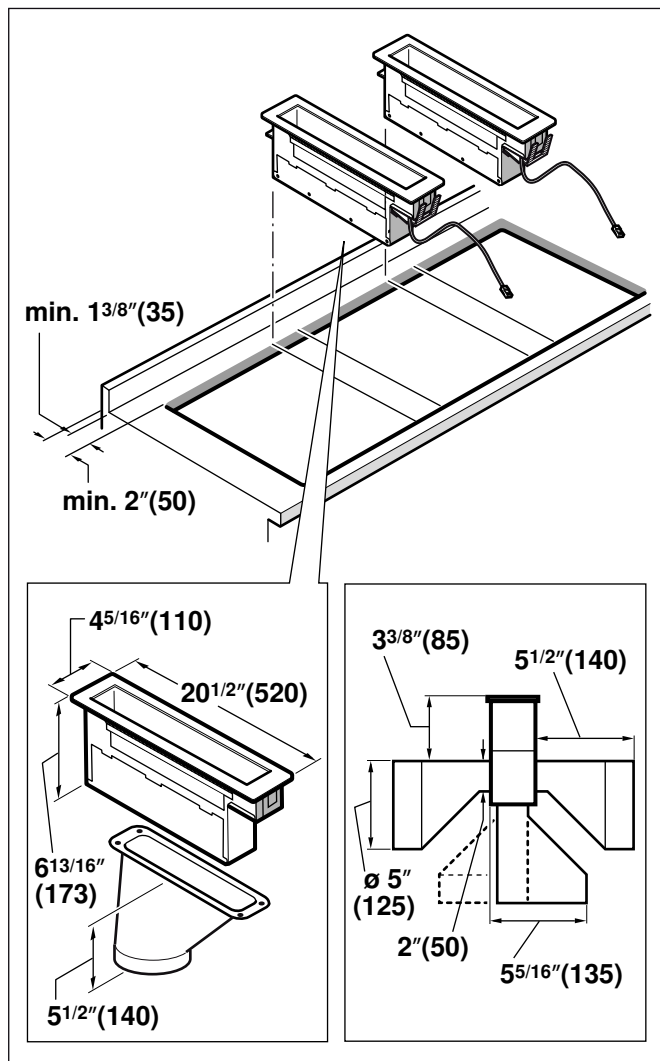
- VA 420 000 Réglette de jonction pour associer d'autres appareils Vario de la série 400 à montage en affleurement
- VA 420 001 Réglette de jonction pour associer d'autres appareils Vario de la série 400 à montage en affleurement, avec couvercle et réglette de rattrapage
- VA 420 010 Réglette de jonction pour associer d'autres appareils Vario de la série 400 à montage en saillie
- VA 420 011 Réglette de jonction pour associer d'autres appareils Vario de la série 400 à montage en saillie, avec couvercle et réglette de rattrapage
- VA 450 110 Réglette de rattrapage de 11 cm pour compenser la différence de hauteur entre plusieurs appareils Vario
- AD 724 040 Tubulure de raccordement pour système à gaine ronde DN 125 mm. Pour raccordement latéral à VL 414 l'adaptateur supplémentaire AD 724 041 est requis.
- AD 724 041 Tubulure de raccordement pour système à gaine ronde DN 125 mm. Pour raccordement latéral à VL 414.
- AD 854 046 Tubulure de raccordement pour système à gaine plate et lamelles déflectrices 1x DN 150 mm plat
- AS 070 000 Tubulure de raccordement pour prolongateur en cas de montage près d'un VK ou d'un VF

Schéma d'installation



Cotes de l'appareil

Pour obtenir une puissance d'aspiration maximale, la largeur maximale d'un foyer unique entre deux éléments d'aération doit être de $23\frac{5}{8}$ " (60 cm).



Préparation des meubles

Le meuble où la table de cuisson est encastrée doit résister à la chaleur jusqu'à une température de 200°F (90°C). La stabilité du meuble doit rester garantie après les opérations de découpe.

Réaliser la découpe dans le plan de travail pour un ou plusieurs appareils Vario, conformément au schéma de pose. Le plan de coupe doit faire un angle de 90° avec le plan de travail.

Les bords de coupe latéraux doivent être plans afin de garantir la fixation des ressorts de maintien sur l'appareil. Dans le cas de plans de travail multicouches, fixer éventuellement des baguettes sur les côtés de la découpe.

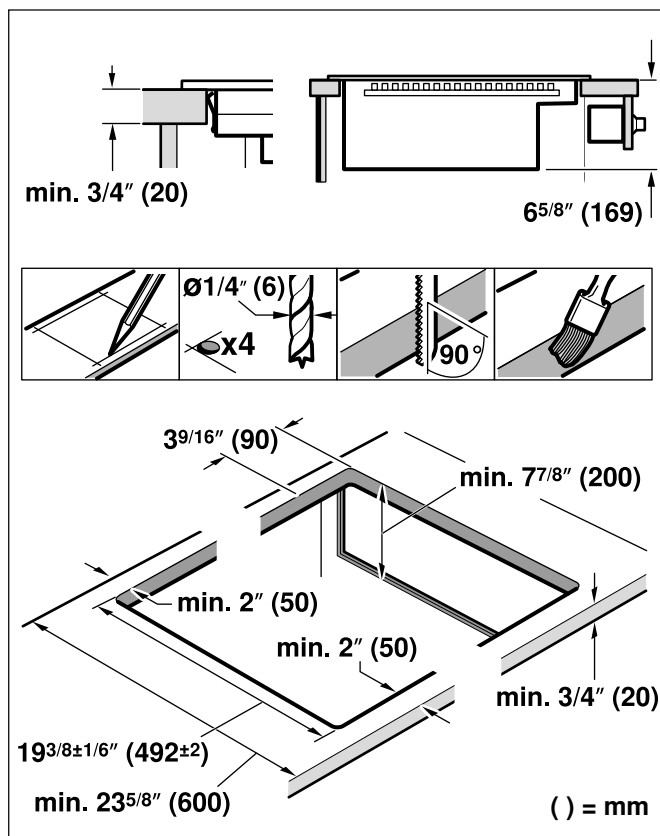
Après les opérations de découpe, éliminer les copeaux. Sceller les plans de coupe de façon qu'ils résistent à la chaleur et soient étanches à l'eau.

Respecter une distance minimale de $\frac{3}{8}$ " (10 mm) entre le dessous de l'appareil et les éléments du meuble.

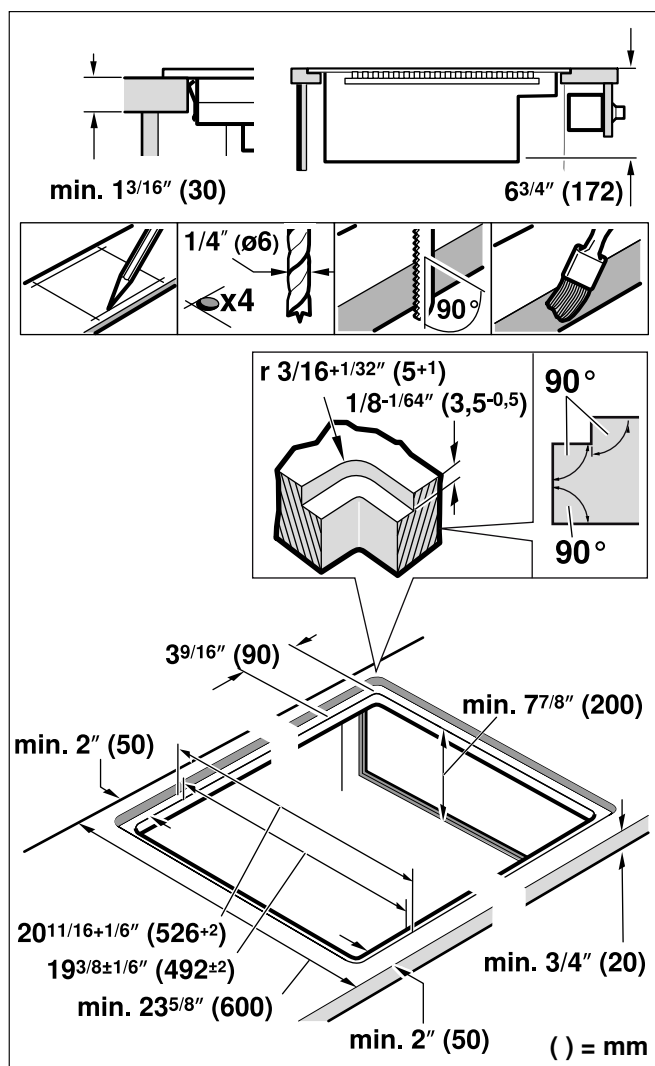
En particulier si le plan de travail est peu épais, assurer sa capacité de résistance et sa stabilité en le renforçant au moyen de structures adaptées. Tenir compte du poids des appareils, sans oublier leur contenu et leurs accessoires. Le matériau utilisé pour le renforcement doit résister à la chaleur et à l'humidité.

Remarque : Vérifier l'aplomb de l'appareil seulement après l'avoir installé dans la découpe.

Découper le plan de travail



Pose en affleurement: L'appareil peut être posé en affleurement dans un plan de travail.



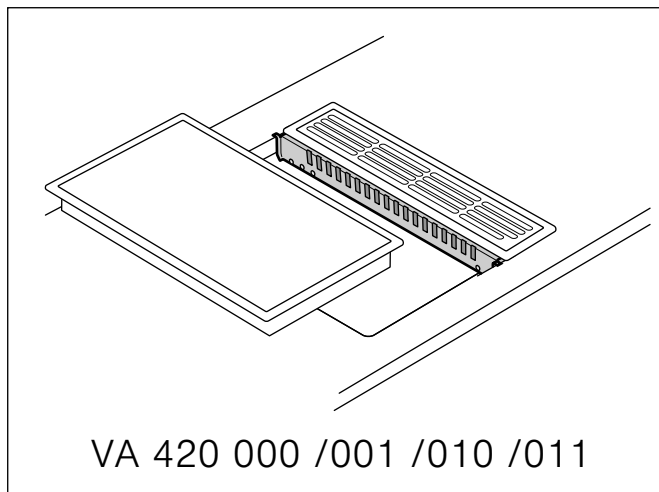
Pose en affleurement: L'appareil peut être encastré dans des plans de travail résistant à la chaleur et à l'eau, fabriqués dans les matériaux suivants :

- pierre
- matière plastique ou Corian®
- bois massif : seulement avec l'accord avec le fabricant du plan de travail (sceller les bords de coupe)
- La pose dans d'autres types de plan de travail : seulement avec l'accord avec le fabricant du plan de travail.

La pose dans de plan de travail de panneaux de particules n'est pas autorisée.

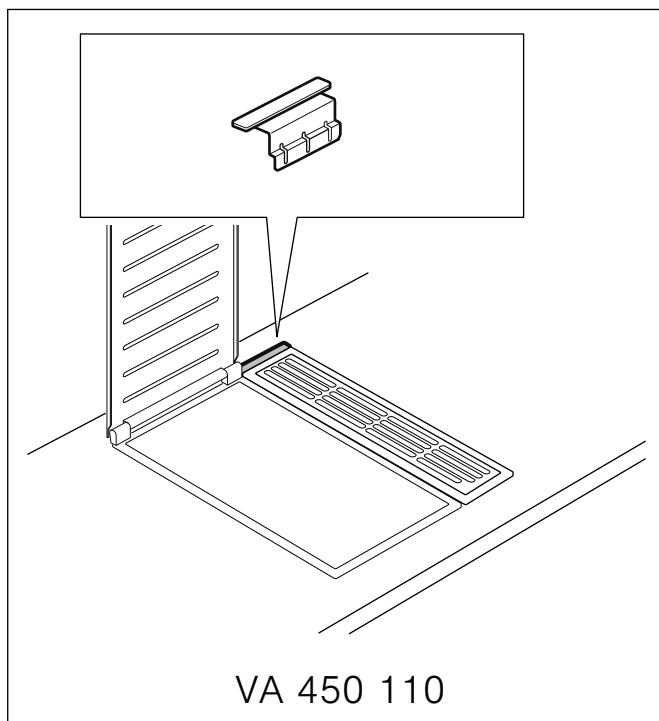
Remarque : Toutes les découpes du plan de travail doivent être faits dans un atelier spécialisé, conformément au schéma de pose. La découpe doit être nette et précise, car le bord de coupe est visible en surface. Nettoyer et dégraisser les bords de coupe avec un produit de nettoyage adéquat (respecter les instructions d'application du fabricant du silicone).

Association de plusieurs appareils Vario : Pour combiner plusieurs appareils Vario, il faut utiliser la barrette de jonction VA 420 000/001/010/011. Elle est disponible comme accessoire en option. Lors de la découpe, tenir compte de l'espace supplémentaire qui est nécessaire pour la barrette de jonction entre les appareils (voir la notice de montage VA 420 000/001/010/011).



Les appareils peuvent aussi être posés dans des découpes séparées, en respectant une distance minimale entre eux, soit 2" (51 mm).

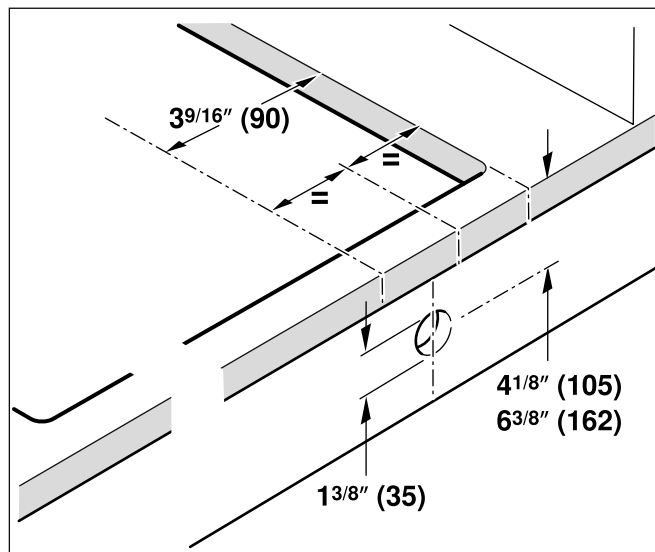
Pour associer des appareils avec et sans couvercle, il faut compenser les différences de longueur en utilisant la rallonge VA 450 110/-400/-600/-800/-900 (selon la largeur de l'appareil).



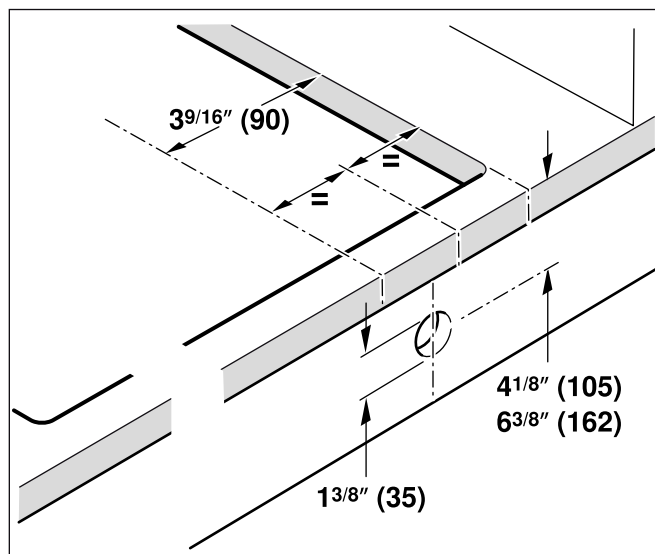
Trous pour manettes de commande

Le pupitre de commande peut être intégré dans le meuble bas, à hauteur de tiroir. Épaisseur du bandeau : $\frac{5}{8}$ " - 1" (16 - 26 mm)

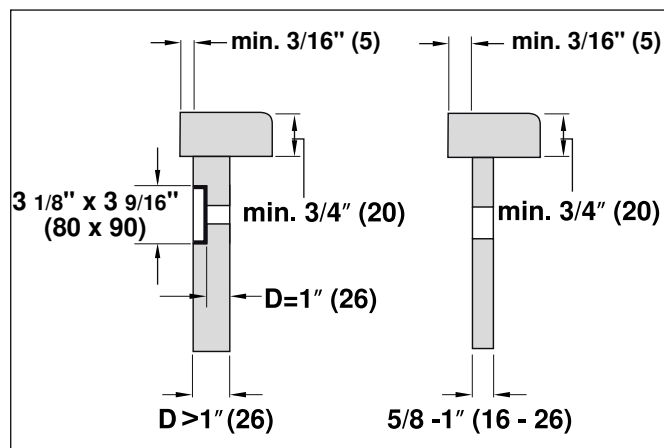
- 1 Comme indiqué sur la figure, percer des trous $\text{Ø } 1 \frac{3}{8}$ " (35 mm) pour fixer les manettes de commande en façade du meuble bas. Pour le positionnement précis des trous, utiliser le gabarit de perçage fourni.



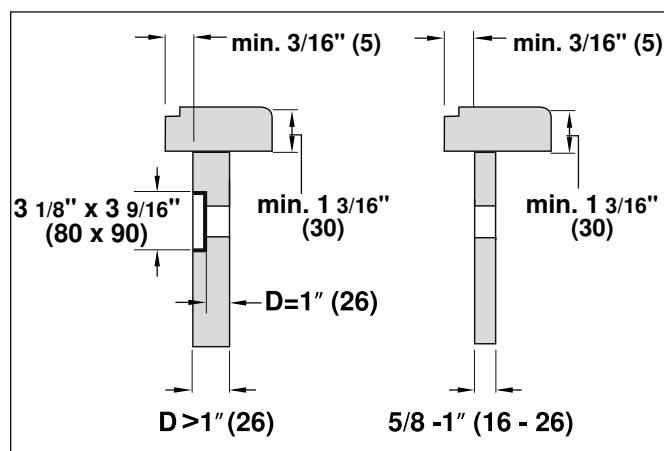
Pour une pose en affleurement :



- 2 Si l'épaisseur du bandeau est supérieure à 1" (26 mm) : fraiser l'arrière du bandeau de façon que son épaisseur ne soit pas supérieure à 1" (26 mm). Dimensionner le fraisage selon le pupitre de commande.



Pour une pose en affleurement :

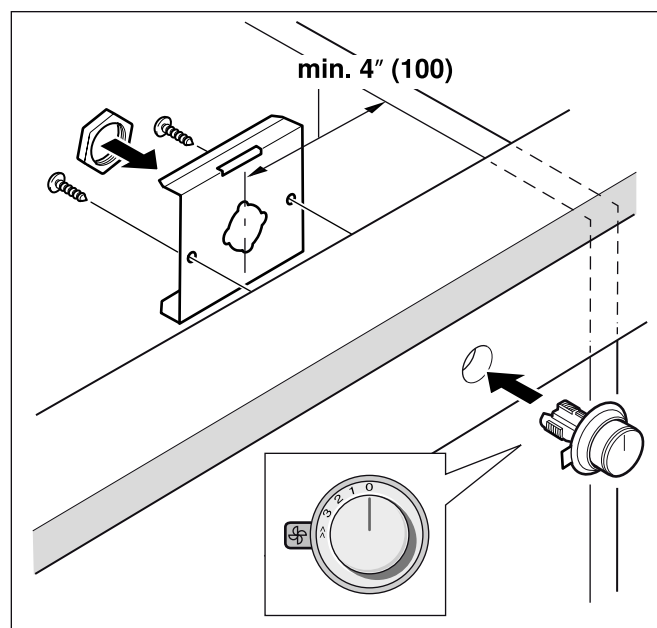


Procédure d'installation

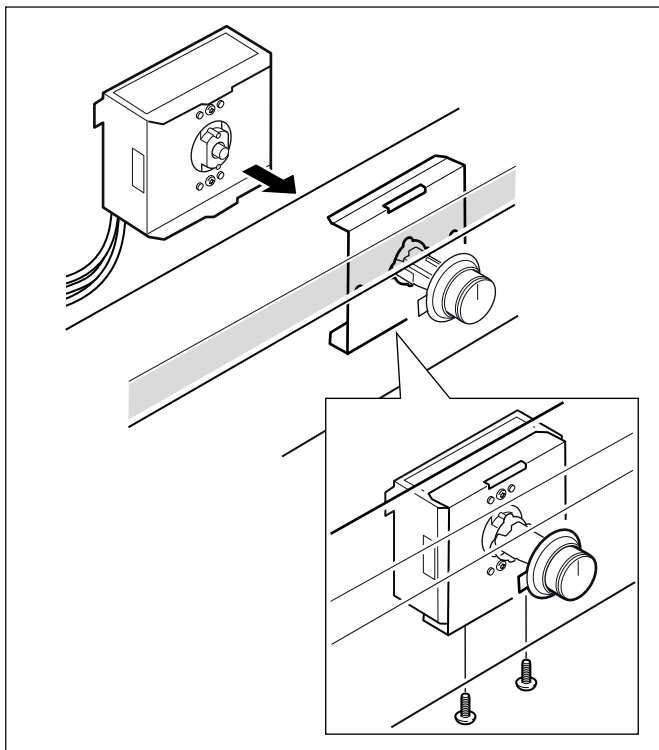
Pose du pupitre de commande

Remarque : Installer l'appareil uniquement avec son pupitre de commande.

- 1 Enlever l'emballage de la manette de commande et retirer le film de protection situé derrière les anneaux lumineux.
- 2 Maintenir la plaque métallique par l'arrière contre le bandeau avant. Emboîter les manettes par devant dans les trous, et serrer par l'arrière au moyen de l'écrou.



- 3 Visser le pupitre de commande à la plaque de maintien au moyen des vis fournies.



⚠ ATTENTION

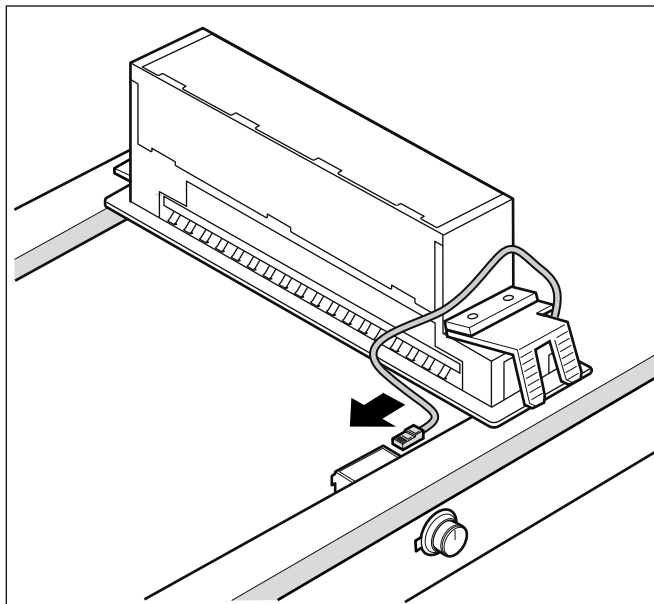
Endommagement de l'appareil ! Établir l'équipotentialité. Avant de brancher les câbles de commande au pupitre, il faut positionner le toron de terre de l'unité de commande sur le pupitre.

Pose de l'appareil

⚠ AVERTISSEMENT

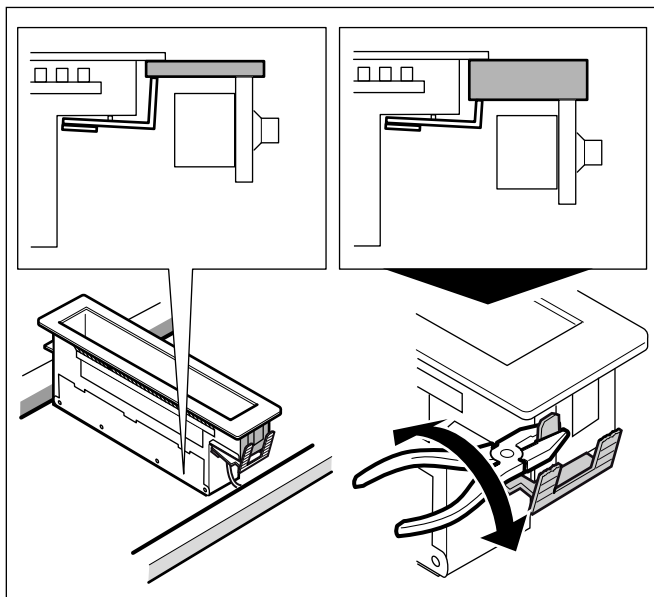
Avant de brancher un cordon électrique ou de mettre l'appareil sous tension, s'assurer que les commandes sont en position d'ARRÊT.

- 1 Brancher le câble de commande dans la prise du pupitre de commande. Le connecteur doit se verrouiller.



- 2 Raccourcir le tendeur avant en fonction de l'épaisseur du plan de travail. Casser les plaques sur la ligne de rupture.

Remarque : Veiller à ne pas trop raccourcir, car l'effet de serrage avec le plan de travail doit être garanti.

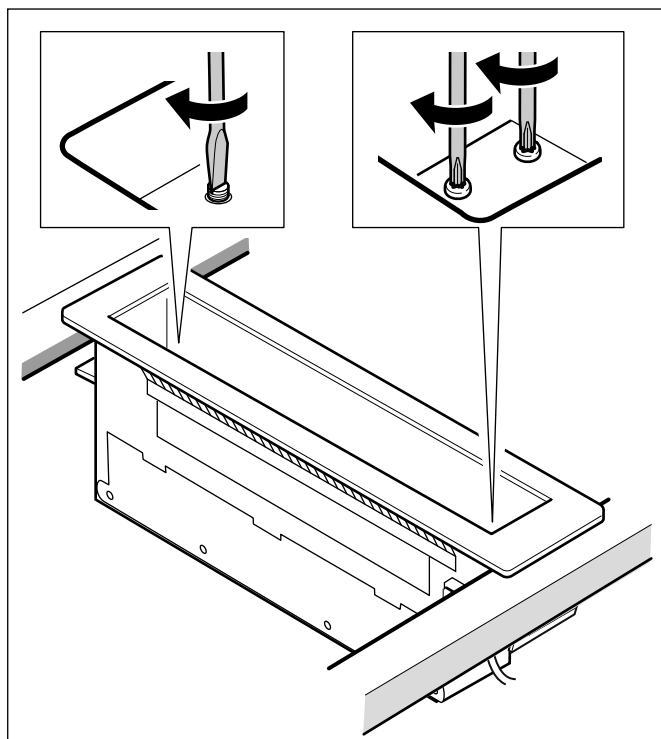


Insérer horizontalement l'appareil dans la découpe et ajuster. Serrer les tendeurs avec les vis situées à l'intérieur de l'appareil.

Remarques

- Ne pas serrer trop fort les tendeurs, veiller à ce que le joint périphérique soit régulier.
- Au moment du serrage, le tendeur arrière pivote de lui-même.

- Ne pas coller l'appareil au plan de travail avec du silicone.

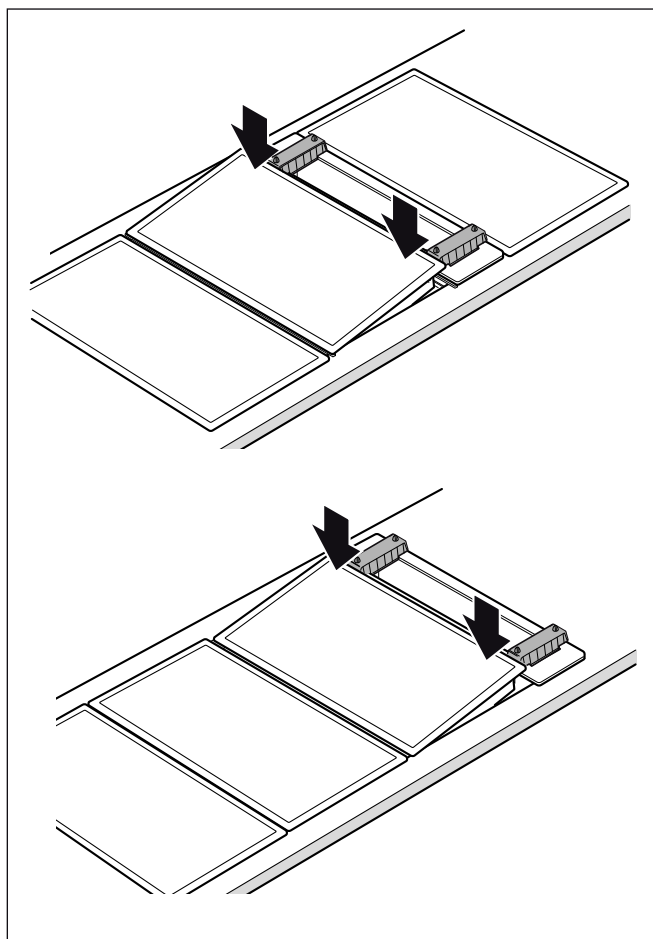


- 3** Utiliser l'aide au montage. Insérer horizontalement l'aérateur dans la découpe et ajuster. Enlever l'élément obturateur. Insérer l'aide au montage en position oblique dans la découpe et l'ajuster perpendiculairement à l'appareil. Présenter l'appareil incliné devant l'aérateur de table et le pousser dans la découpe au moyen de l'aide au montage. Retirer l'aide au montage. Fixer l'aérateur de table de cuisson conformément à la description ci-dessus.

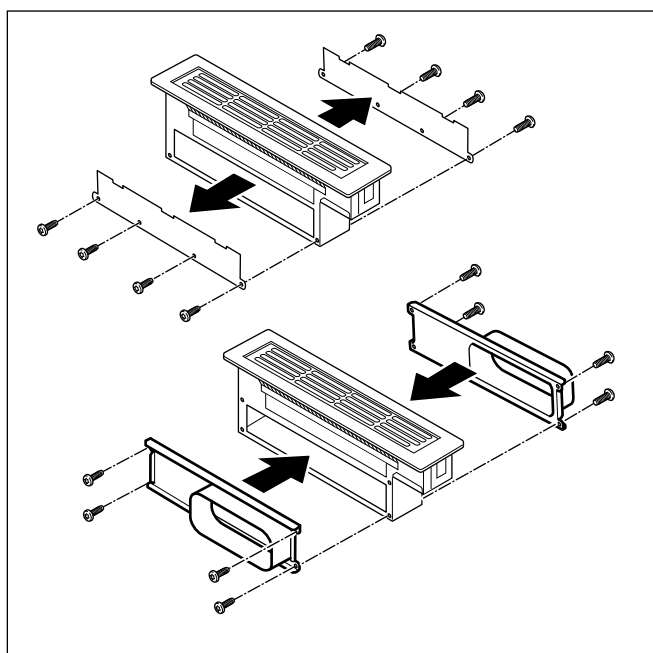
Remarques

- Si l'aérateur est en première ou en dernière position d'un groupe de plusieurs appareils Vario, il faut utiliser l'aide au montage fournie.

- L'aide au montage protège les bords de l'appareil.



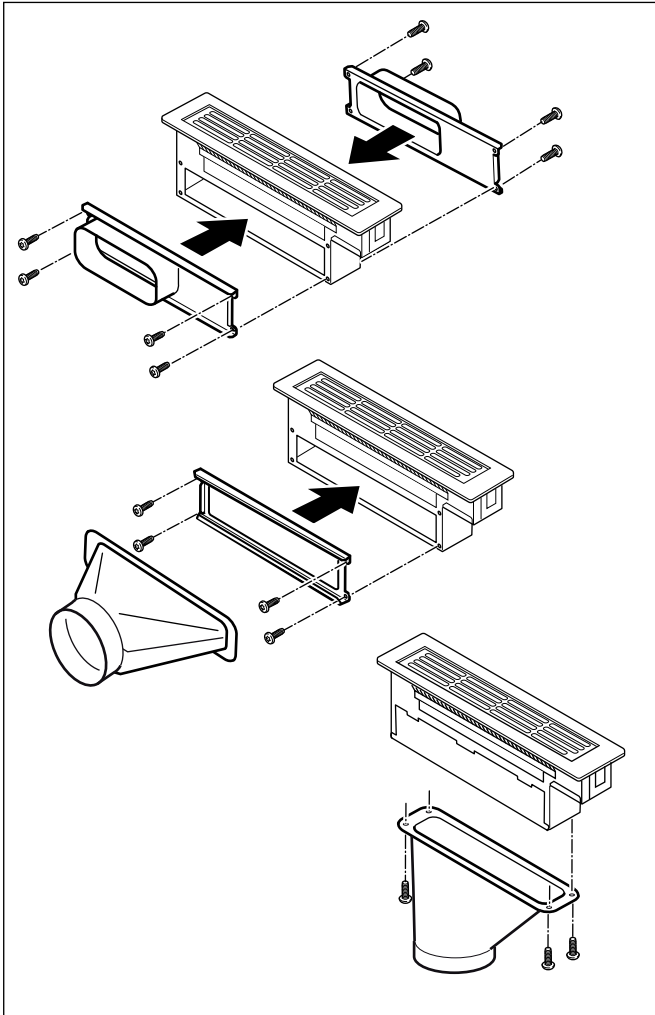
- 4** Monter la tubulure de raccordement dans la position voulue.



Remarques

- Le conduit plat ne peut être branché que sous les appareils à induction.

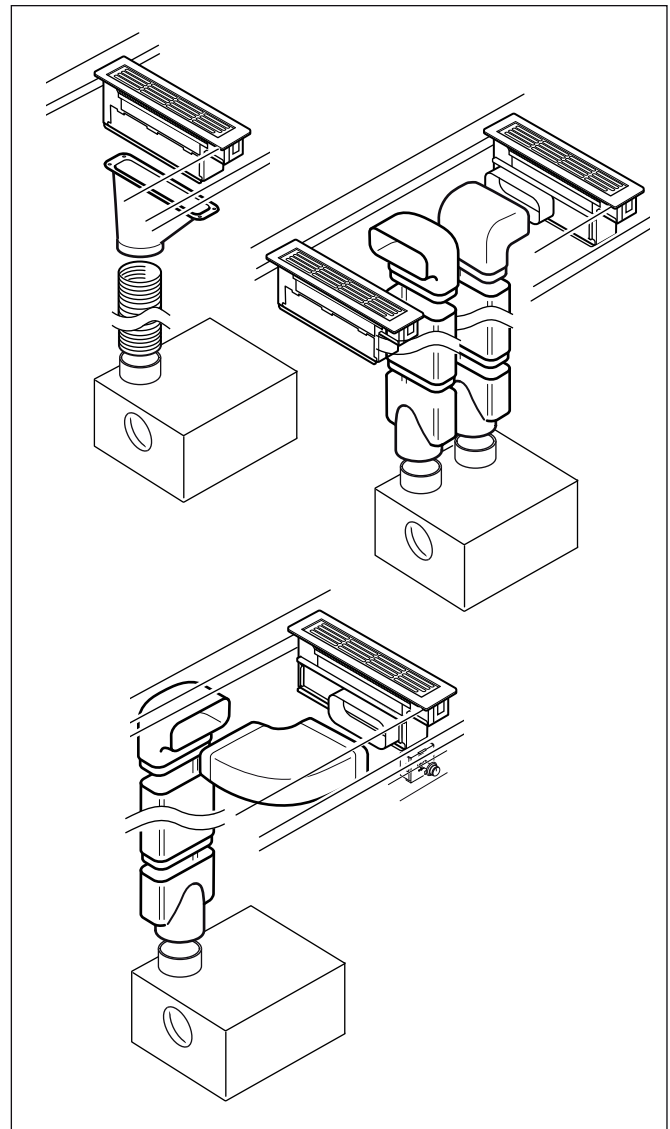
- Selon la configuration, le conduit d'évacuation peut prendre trois directions différentes.
- Selon les caractéristiques de la pièce, il est possible de tourner de 180° la tubulure de raccordement.
- Pour l'évacuation, respecter aussi la notice du groupe extracteur.



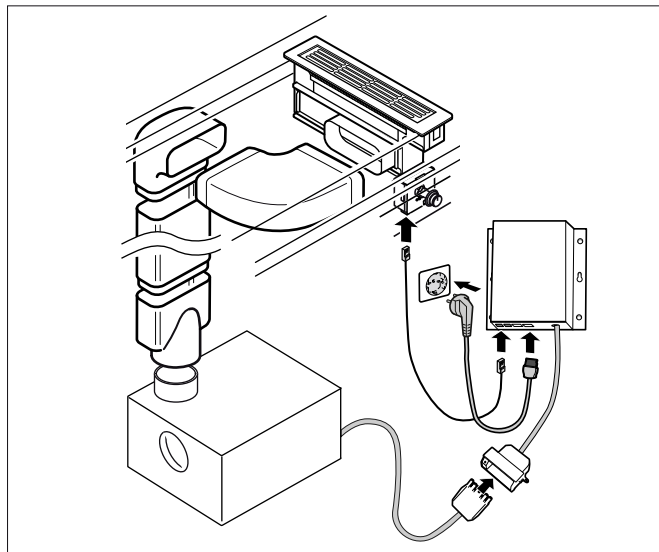
- 5 Fixer le tuyau d'évacuation à la tubulure et étanchéifier de manière appropriée.

Remarques

- Pour l'évacuation d'appareils à gaz, ne pas utiliser de conduits plats. En effet, ils pourraient se déformer en raison de la température élevée de l'air évacué.
- Pour les appareils à gaz, utiliser des tuyaux en aluminium.
- Avant de poser un tuyau en aluminium, lisser la zone de raccordement.



- 6 Brancher dans la prise située sur le pupitre de commande le câble de l'unité de commande. Raccorder ensemble le câble d'alimentation de l'unité de commande et celui de l'extracteur. Les connecteurs doivent être verrouillés. Brancher l'unité de commande au secteur et vérifier le fonctionnement. Si l'appareil ne fonctionne pas, vérifier que les câbles de jonction sont bien en place !



- 7 **Uniquement en cas de montage en affleurement : il faut impérativement effectuer un essai de fonctionnement avant de faire le joint !** Garnir le joint périphérique de mastic silicone résistant à la température (exemple : OTTOSEAL® S 70). Lisser le joint au moyen du produit de lissage préconisé par le fabricant. Respecter les instructions de mise en œuvre du mastic silicone. Attendre le séchage complet du mastic silicone (au moins 24 heures, selon la température ambiante) avant de mettre l'appareil en service.

AVIS : L'utilisation d'un mastic silicone non adapté provoque des décolorations durables des plans de travail en pierre naturelle.

Brancher l'alimentation électrique

Consulter la plaque signalétique pour en savoir plus. Pour savoir où se trouve la plaque signalétique, se reporter à la rubrique "Service après-vente".

Le courant admissible des disjoncteurs divisionnaires, la taille des câbles et les connexions doivent être conformes aux exigences du Code électrique national ou du Code électrique canadien ainsi qu'à tous les codes et règlements locaux.

Brancher le conduit souple à la boîte de jonction. Brancher les fils de sortie aux fils d'alimentation de la boîte de jonction en respectant les phases :

- noir (L1) avec noir
- rouge (L2) avec rouge
- vert avec la terre

Le câble principal doit être au moins du type SJTO 3x16 AWG 105°C. Le câble principal doit être acheté auprès d'un spécialiste agréé et raccordé par un spécialiste agréé.

Branchement avec une fiche

- La fiche doit être conforme aux normes NEMA pour fiches et prises de courant.
- L'appareil doit être correctement mis à la terre.
- La fiche d'alimentation doit être au minimum du type 6-20 P (2 broches, 3 fils avec terre).
- Le branchement de la fiche doit être fait exclusivement par un électricien qualifié.
- Poser une prise de courant avec terre conformément à la réglementation, à environ 27" (700 mm) au-dessus du sol derrière l'appareil. La prise de courant doit rester accessible après la pose de l'appareil.

Défecteur

Si l'aérateur de plan de cuisson est installé près d'un appareil à gaz, il faut monter sur ce dernier un déflecteur AA 414 010 pendant la cuisson. Le déflecteur améliore la capacité d'aspiration. Il évite que le flux d'air n'éteigne les petites flammes.

AA 414 010 Défecteur pour l'utilisation à côté d'appareils à gaz VG 414/415/424/425

Dépose de l'appareil

Mettre l'appareil hors tension. Si les appareils sont posés en affleurement, enlever le joint en silicone. Faire sortir l'appareil en le soulevant par-dessus.

⚠ ATTENTION

Risque de détérioration ! Ne pas extraire l'appareil par le haut en faisant levier sur le cadre.

Service après-vente

Si votre appareil doit être réparé, notre service après-vente est à votre disposition. Nous trouvons toujours une solution adaptée, y compris pour éviter les visites inutiles de techniciens.

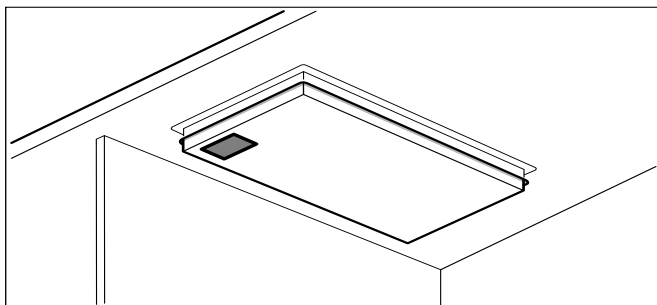
Lors de votre appel, indiquez le numéro du produit (n° E) et le numéro de série (n° FD) afin que nous puissions vous donner une réponse précise. La plaquette d'identification comportant ces numéros se trouve sur le dessous de l'appareil. Pour ne pas avoir à chercher longtemps en cas de besoin, vous pouvez inscrire ici les références de l'appareil et le numéro de téléphone du service après-vente.

N° E

N° FD

Service après-vente ☎

N'oubliez pas qu'en cas de fausse manœuvre, la visite d'un technicien d'après-vente n'est pas gratuite, même pendant la garantie.



Vous trouverez les données de contact pour tous les pays dans l'annuaire ci-joint du service après-vente.

Demande de réparation et conseils en cas de dysfonctionnement

CA 800 828 9165

Faites confiance à la compétence du fabricant. Ainsi vous êtes assurés que la réparation sera effectuée par des techniciens formés qui possèdent les pièces de rechange d'origine pour votre appareil.

Definiciones de Seguridad

ADVERTENCIA

Esto indica que se pueden producir lesiones graves o la muerte si no se cumple con esta advertencia.

ATENCION

Esto indica que pueden producirse lesiones leves o moderadas si no se cumple con esta advertencia.

AVISO: esto indica que puede producirse un daño al electrodoméstico o a la propiedad como resultado de la falta de cumplimiento de este aviso.

Nota: Esto lo alerta sobre información y/o consejos importantes.



INSTRUCCIONES DE SEGURIDAD IMPORTANTES

LEA Y CONSERVE ESTAS INSTRUCCIONES

INSTALADOR: DEJE ESTAS INSTRUCCIONES CON EL ELECTRODOMÉSTICO CUANDO HAYA FINALIZADO LA INSTALACIÓN.

IMPORTANTE: CONSERVE ESTAS INSTRUCCIONES PARA USO DEL INSPECTOR DE ELECTRICIDAD LOCAL.

ADVERTENCIA

Si no sigue la información de este manual exactamente, se puede ocasionar un incendio o una descarga eléctrica que puede causar daños materiales o lesiones personales.

ADVERTENCIA

No repare ni reemplace ninguna parte del electrodoméstico, a menos que esté específicamente recomendado en este manual. Nunca modifique ni altere la construcción del electrodoméstico. La instalación, servicio técnico o mantenimiento incorrectos pueden causar lesiones o daños materiales. Consulte este manual para su orientación. Remita todas las reparaciones a un centro de servicio técnico autorizado por la fábrica.

ADVERTENCIA

ADVERTENCIA – PARA REDUCIR EL RIESGO DE INCENDIO, CHOQUE ELÉCTRICO O LESIONES A LAS PERSONAS, OBSERVE LAS SIGUIENTES RECOMENDACIONES

- El trabajo de instalación y el cableado eléctrico deben realizarse por personal calificado conforme a todos los códigos y estándares aplicables, incluyendo construcción contra incendios.
 - Se requiere suficiente aire para la combustión y escape adecuado de gases por el conducto (chimenea) del equipo que quema combustible para evitar la contracorriente. Siga la directriz y las normas de seguridad del fabricante de equipos de calefacción, como las publicadas por La Asociación Nacional para la Protección contra Incendios (NFPA, por sus siglas en inglés) y la Sociedad Americana de Ingenieros en Calefacción, Refrigeración y Aire Acondicionado (ASHRAE, por sus siglas en inglés) y las autoridades locales correspondientes.
 - Al cortar o perforar la pared o el techo, no dañe el cableado eléctrico u otras instalaciones ocultas.
 - Los ventiladores entubados siempre deben ser ventilados hacia el exterior.
-

ADVERTENCIA

Peligro de incendio

Los depósitos de grasa en el filtro de grasa se pueden incendiar. Nunca trabaje con flama abierta cerca del equipo (por ejemplo con platillos flameados). Solamente instale el equipo cerca de un fogón para sustancias sólidas (p. ej. madera o carbón) si está disponible una cubierta cerrada que no se pueda quitar. No deben volar las chispas.

ADVERTENCIA

A fin de reducir el riesgo de incendio, utilizar únicamente conducciones de metal.

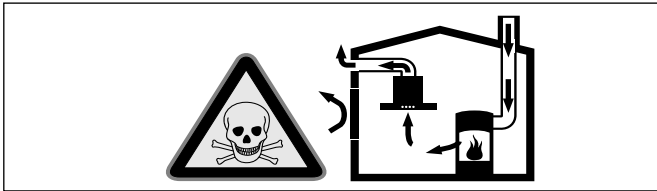
⚠ INSTRUCCIONES DE SEGURIDAD IMPORTANTES

LEA Y CONSERVE ESTAS INSTRUCCIONES

ADVERTENCIA

Peligro de muerte

Los gases de combustión que se vuelven a aspirar pueden causar envenenamientos. Siempre procure que haya suficiente corriente de aire fresco si el equipo es usado en el modo de funcionamiento de extracción de gases simultáneamente con un fuego que dependa del aire de la habitación.

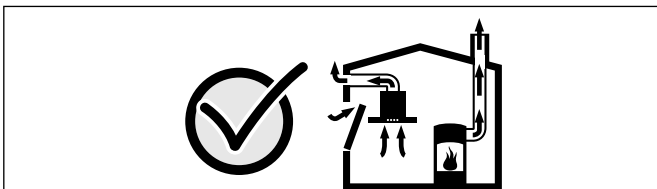


Los equipos con fuego dependiente del aire de la habitación (p. ej. calefactores de gas, aceite, madera o carbón, calentadores de paso, equipos para preparar agua caliente) toman el aire para la combustión de la habitación donde están colocados, y canalizan hacia afuera los gases por una instalación al efecto (p. ej., una chimenea).

En combinación con una campana de extracción de humos conectada, se les extrae el aire a la cocina y a las habitaciones vecinas: sin un aprovisionamiento suficiente de aire del exterior, se forma una zona de baja presión. Los gases venenosos de la chimenea o el tubo del extractor se vuelven a aspirar hacia las habitaciones.

- Por eso siempre debe haber suficiente aire entrando del exterior.
- Una caja de bloqueo de las emisiones de gases por sí sola no asegura que se mantenga el valor límite.

Solamente es posible un funcionamiento sin peligros si la presión negativa en el cuarto donde se encuentra el equipo con fuego no es mayor de 4 Pa (0.04 mbar). Esto se puede alcanzar si puede tener acceso el aire que se requiere para la combustión a través de aberturas que no se pueden cerrar, como por ejemplo puertas o ventanas, en combinación con una caja de bloqueo de las emisiones, o con otras medidas técnicas.



En todo caso, tome en cuenta la opinión del especialista en chimeneas, que es quien puede evaluar todo el sistema de circulación de aire de la casa, y le puede proponer la medida adecuada para lograr una correcta ventilación.

Si la campana de extracción de humos se utiliza exclusivamente en el modo de funcionamiento de circulación interna del aire, es posible el funcionamiento sin limitaciones.

Seguridad con el manejo del electrodoméstico

Las superficies ocultas pueden tener bordes filosos. Proceda con cuidado al intentar tomar el electrodoméstico por la parte trasera o desde abajo.

Códigos y normas de seguridad

Este electrodoméstico cumple con una o más de las siguientes normas:

- **UL 858, Norma de seguridad para estufas eléctricas de uso doméstico (Standard for the Safety of Household Electric Ranges)**
- **UL 923, Norma de seguridad para electrodomésticos de cocción por microondas (Standard for the Safety of Microwave Cooking Appliances)**
- **UL 507, Norma de seguridad para ventiladores eléctricos (Standard for the Safety of Electric Fans)**
- **ANSI Z21.1, Norma nacional estadounidense para electrodomésticos de gas para cocinar de uso doméstico (American National Standard for Household Cooking Gas Appliances)**
- **CAN/CSA-C22.2 N.º 113-M1984, Ventiladores (Fans and Ventilators)**
- **CAN/CSA-C22.2 N.º 61-M89, Estufas de uso doméstico (Household Cooking Ranges)**

Es responsabilidad del propietario y del instalador determinar si se aplican otros requisitos y/o normas en instalaciones específicas.



INSTRUCCIONES DE SEGURIDAD IMPORTANTES

LEA Y CONSERVE ESTAS INSTRUCCIONES

Seguridad con la electricidad

INSTRUCCIONES DE CONEXIÓN A TIERRA

Este aparato debe ser conectado a tierra. En el caso de corto circuito, la puesta a tierra reduce el riesgo de descarga eléctrica proporcionando un cable de escape para la corriente eléctrica.

Este aparato está equipado con un cable de tierra con un enchufe de conexión a tierra. El enchufe debe enchufarse a un tomacorriente que esté correctamente instalado y conectado a tierra.

ADVERTENCIA

ADVERTENCIA

Una conexión a tierra incorrecta puede resultar en un riesgo de descarga eléctrica. Consulte a un electricista calificado si no se entienden por completo las instrucciones de conexión a tierra, o si existe alguna duda sobre si el aparato está correctamente conectado a tierra. No utilice un cable de extensión. Si el cable de alimentación es demasiado corto, pídale a un electricista calificado que instale un contacto cerca del aparato.

ADVERTENCIA

Antes de enchufar un cable eléctrico o apagar la fuente de alimentación eléctrica, asegúrese de que todos los controles se encuentren en la posición OFF (Apagado).

Para los electrodomésticos equipados con cable y enchufe, no corte ni retire la espiga de conexión a tierra. Debe enchufarse en un receptáculo de conexión a tierra compatible para evitar descargas eléctricas. Si tiene alguna duda respecto de si el receptáculo de pared está correctamente conectado a tierra, el cliente debe solicitar la verificación de un electricista calificado.

Si el Código Nacional Eléctrico (o el Código Eléctrico Canadiense) así lo requiere, este electrodoméstico debe instalarse en un circuito derivado por separado.

ADVERTENCIA

Para reducir el riesgo de choque eléctrico, no use este ventilador con ningún dispositivo de control de velocidad de estado sólido.

El instalador debe mostrar al propietario la ubicación del disyuntor o el fusible. Márquela para recordarla más fácilmente.

Antes de realizar la instalación, apague la alimentación eléctrica en el panel de servicio. Trabe el panel de servicio para impedir que se encienda accidentalmente la alimentación eléctrica.

ADVERTENCIA

PARA REDUCIR EL RIESGO DE INCENDIO, CHOQUE ELÉCTRICO O LESIONES A LAS PERSONAS, OBSERVE LAS SIGUIENTES RECOMENDACIONES:

- Utilice esta unidad sólo de la manera indicada por el fabricante. Si tiene preguntas, póngase en contacto con el fabricante.
- Antes de reparar o limpiar la unidad, desconecte el suministro eléctrico en el panel de servicio y bloquee el servicio desconectando las conexiones para evitar que se encienda accidentalmente. Cuando no pueda bloquearse la desconexión del servicio, coloque un aviso prominente de advertencia, como un letrero, en el panel de servicio.

Asegúrese de que el electrodoméstico sea correctamente instalado y conectado a tierra por un técnico calificado. La instalación, las conexiones eléctricas y la conexión a tierra deben cumplir con todos los códigos correspondientes.

ADVERTENCIA

Peligro de descarga eléctrica

Los componentes dentro del equipo pueden tener bordes filosos. Puede dañarse el cable de conexión. No retorcer ni constreñir el cable durante la instalación.



INSTRUCCIONES DE SEGURIDAD IMPORTANTES

LEA Y CONSERVE ESTAS INSTRUCCIONES

Seguridad relacionada con los equipos

Retire toda la cinta y el embalaje antes de usar el electrodoméstico. Destruya el embalaje después de desembalar el electrodoméstico. Nunca deje que los niños jueguen con el material de embalaje.

Se garantiza la seguridad de uso de la placa solamente si es instalada por un especialista de acuerdo con estas instrucciones de instalación. El instalador es responsable de cualquier daño que se produzca debido a la instalación incorrecta.

Nunca modifique ni altere la construcción del electrodoméstico. Por ejemplo, no retire las patas niveladoras, paneles, cubiertas para cables ni soportes/tornillos antivuelco.

Advertencias en virtud de la Proposición 65 del estado de California

ADVERTENCIA

Este producto contiene una o más sustancias químicas que el estado de California sabe que provocan cáncer, defectos congénitos, u otro daño reproductivo.

Funcionamiento con extracción de aire

Nota: La emisión de los gases no se debe canalizar hacia una chimenea de humo o de gases de escape que esté en funcionamiento, ni hacia un tiro que sirva para sacar el aire de las habitaciones donde haya equipos con fuego.

- Si los gases de escape se van a canalizar hacia una chimenea de humo o de gases de escape que no esté en funcionamiento, se tiene que conseguir la aprobación del especialista en chimeneas correspondiente.
- Si las emisiones de gases se canalizan a través del muro externo, se tiene que utilizar una caja telescópica para muros.

Conducto de escape

Nota: El fabricante no asume ninguna garantía por las reclamaciones debidas a la tubería.

- El equipo consigue su mejor funcionamiento con un tubo de escape corto, recto y con el diámetro del tubo lo más grande posible.
- Con tubos de escape largos, ásperos, con muchos dobleces, o tubería de diámetro menor a 5 15/16" (150 mm) no se alcanza la potencia de succión óptima y el ruido del ventilador es más alto.
- Las tuberías o los tubos para el tendido de la línea de escape deben hacerse de material no combustible.

Tubos redondos

Se recomienda un diámetro interior de 5 15/16" (150 mm), pero por lo menos de 4 3/4" (120 mm).

Canales planos

La sección transversal Interior debe coincidir con el diámetro de los tubos redondos.

Ø 5 15/16" (150 mm) aprox. 27 1/2 sq in (177 cm²)

Ø 4 3/4" (120 mm) aprox. 17 1/2 sq in (113 cm²)

- Los canales planos no deben tener curvas pronunciadas.
- Con diámetros de tubo diferentes utilice tiras de sellado.

Conexión eléctrica

⚠ ADVERTENCIA

Peligro de descarga eléctrica

Los componentes dentro del equipo pueden tener bordes filosos. Puede dañarse el cable de conexión. No retorcer ni constreñir el cable durante la instalación.

Compruebe la instalación principal antes de conectar la unidad. Preste atención a una adecuada protección de la instalación de la casa. Voltaje y frecuencia del dispositivo deben coincidir con la instalación eléctrica (véase placa de características).

El aparato cumple con la clase de protección I y debe utilizarse únicamente con una conexión a tierra de protección.

En la instalación debe estar presente un interruptor omnipolar con apertura de contactos de al menos 1/8" (3 mm). Éste debe ser todavía accesible después de la instalación.

La instalación o el reemplazo del cable deben llevarse a cabo sólo por personal cualificado, teniendo en cuenta las disposiciones pertinentes.

Si se daña el cable de alimentación de este aparato, sustitúyalo por un cable especial que está disponible con el fabricante o su servicio al cliente.

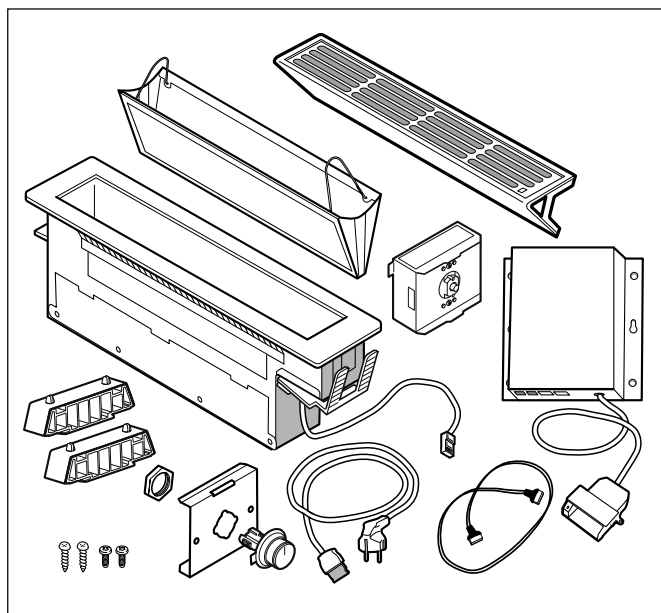
Antes de empezar

Herramientas y piezas necesarias

- Destornillador con cabeza Torx T20
- Lápiz
- Taladro con broca de 1/4" (6 mm)
- Sierra caladora
- Cinta métrica

Nota: Es posible que se necesiten otros materiales para la instalación en superficies de trabajo sólidas. Comuníquese con el fabricante de la superficie de trabajo.

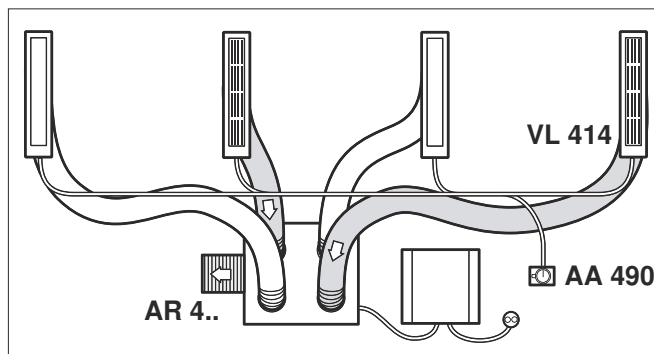
Piezas incluidas



Accesorios para la instalación

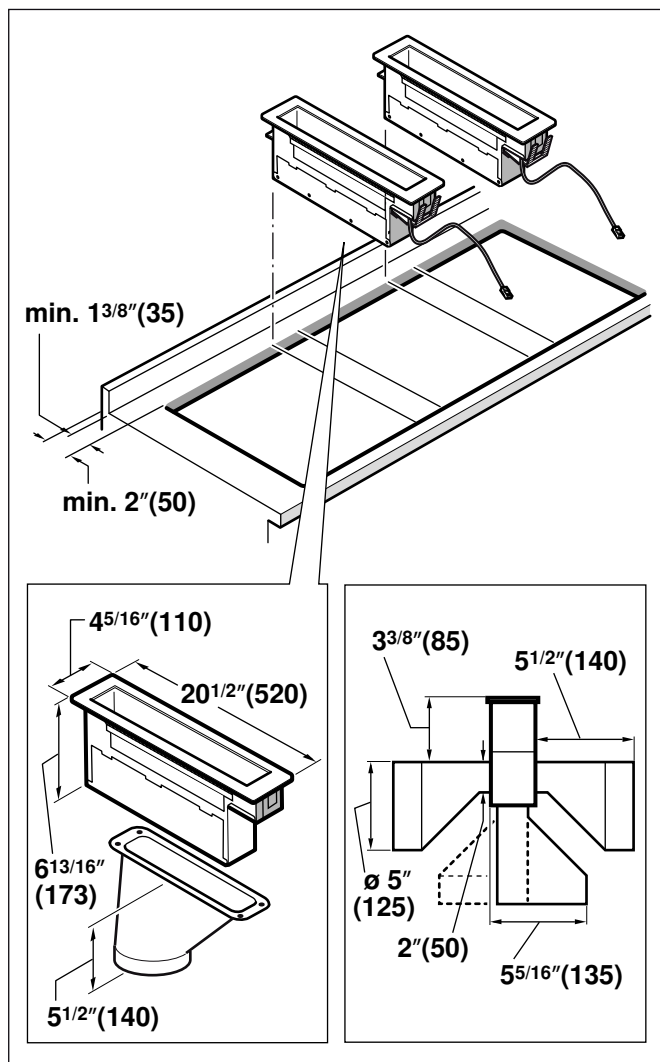
- VA 420 000 Barra de conexión para combinar con otros equipos Vario de la serie 400 al instalarlos uno al lado del otro con superficie corrida
- VA 420 001 Barra de conexión para combinar con otros equipos Vario de la serie 400 al instalarlos uno al lado del otro con cubierta de equipo/barra de compensación
- VA 420 010 Barra de conexión para combinar con otros equipos Vario de la serie 400 al instalarlos de forma superpuesta
- VA 420 011 Barra de conexión para combinar con otros equipos Vario de la serie 400 al instalarlos de forma superpuesta con cubierta de equipo/barra de compensación
- VA 450 110 Listón de compensación de 11 cm para compensar la altura con varios equipos Vario
- AD 724 040 Empalmes para sistema de canal rondo NW 125 mm. Para el empalme lateral con VL 414 se necesita el adaptador adicional AD 724 041.
- AD 724 041 Empalmes para sistema de canal rondo NW 125 mm. Necesario para el empalme lateral con VL 414.
- AD 854 046 Empalmes para sistema de canal plano con pestañas conductoras de aire 1x NW 150 mm planas
- AS 070 000 Empalmes de extensión para el montaje al lado del VK o VF

Diagrama de instalación



Dimensiones del equipo

Para lograr el rendimiento óptimo de la succión, la anchura máxima de una sola zona de cocción entre dos elementos de ventilación debe ser de $23\frac{5}{8}$ " (60 cm).



Preparación de los muebles de montaje

El mueble de empotrado tiene que resistir una temperatura de hasta 200°F (90°C). La estabilidad del mueble de empotrado tiene que quedar garantizada también después de los trabajos de corte para realizar un hueco.

Realice el hueco para uno o varios equipos Vario en la placa de trabajo, de acuerdo con los planos de montaje. El ángulo de la superficie de corte respecto a la placa de trabajo tiene que ser de 90° .

Los cantos laterales del corte tienen que ser planos, para garantizar una buena fijación de los resortes de sujeción en el equipo. En el caso de las placas de trabajo de varias capas, de ser necesario fije unos listones de madera a los lados del hueco.

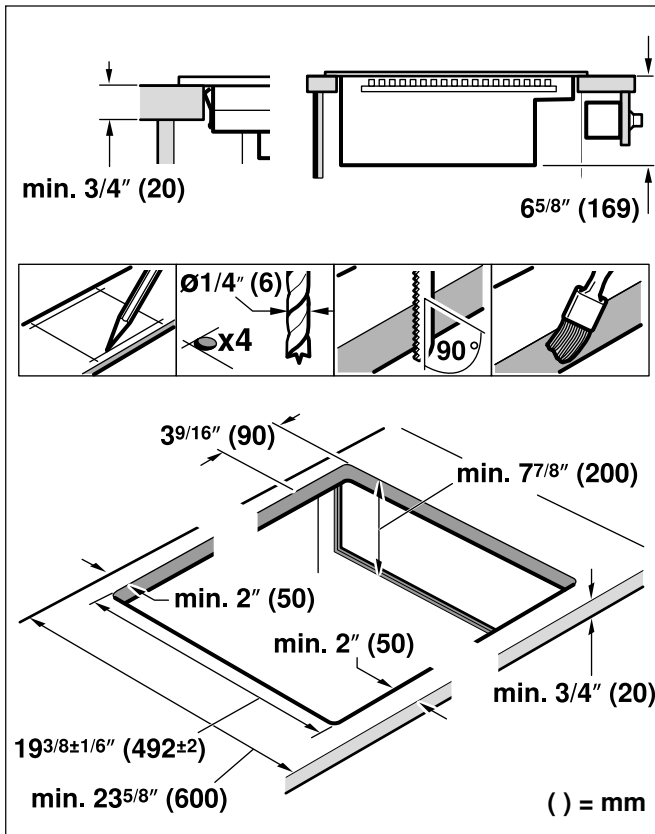
Después de los trabajos de corte, retire las virutas. Selle las superficies de corte de forma que resistan el calor y sean herméticas contra el agua.

Respete la distancia mínima de $\frac{3}{8}$ " (10 mm) de la parte inferior del equipo respecto a las partes del mueble.

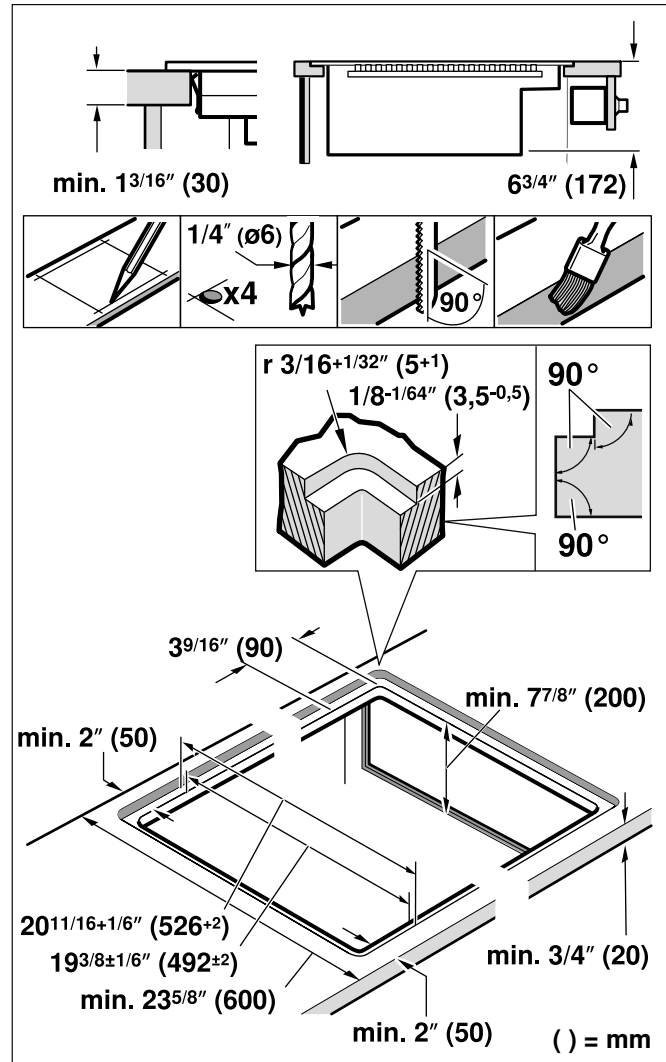
Es necesario asegurar la capacidad de carga y estabilidad a través de estructuras inferiores de apoyo adecuado, especialmente en placas de trabajo delgadas. Tome en cuenta el peso del equipo, incluyendo la carga adicional. El material de refuerzo utilizado debe ser resistente al calor y resistente a la humedad.

Nota: Verifique que el equipo está colocado de forma plana solamente después de instalarlo en el orificio de montaje.

Recortar la encimera



Montaje a ras de superficie: se puede realizar un montaje a ras de superficie de la encimera.



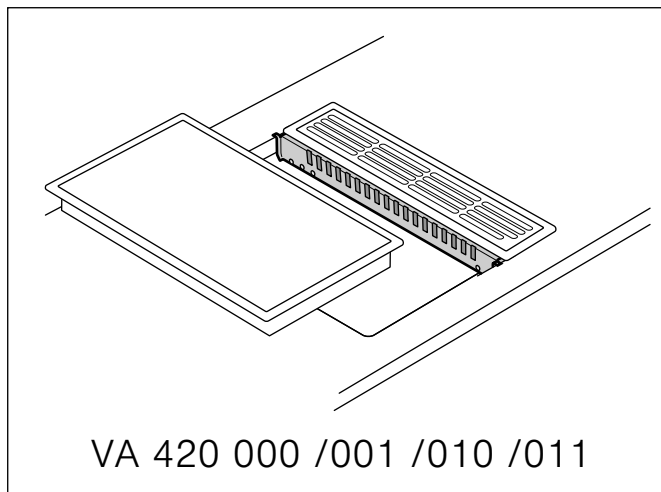
Montaje a ras de superficie: El aparato se puede montar en las siguientes encimeras resistentes a la temperatura y al agua:

- Encimeras de mármol
- Encimeras de plástico o Corian®
- Encimeras de madera maciza: Solo de acuerdo con el fabricante de la encimera (sellado de los bordes de recorte)
- Montaje en otro tipo de encimeras: solo de acuerdo con el fabricante de la encimera

No se puede realizar el montaje en encimeras de madera aglomerada.

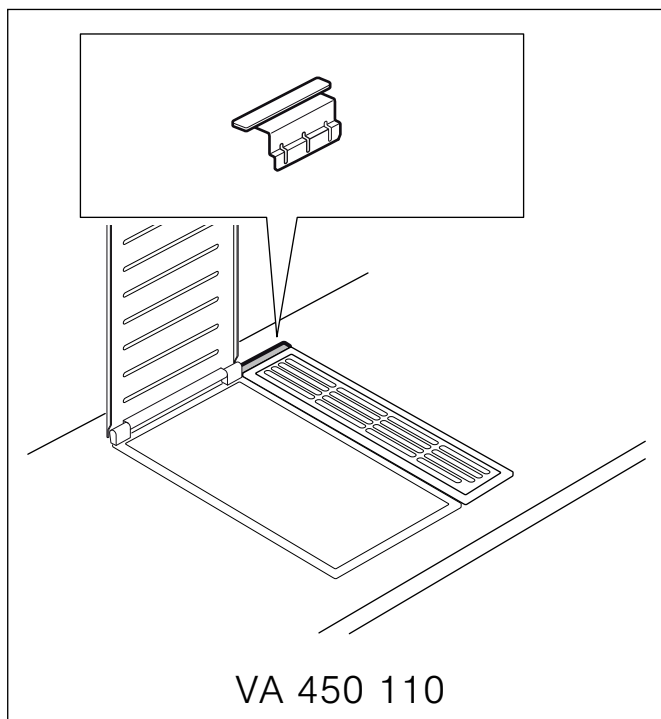
Nota: Todos los trabajos de recorte de la encimera deben ser realizados por un servicio especializado de acuerdo con el croquis de montaje. El recorte debe ser limpio y preciso, puesto que el borde cortado se ve en la superficie. Limpie y desengrase los bordes de recorte utilizando un producto de limpieza adecuado (consulte las indicaciones del fabricante de la silicona).

Combinar varios aparatos Vario: Para combinar varios aparatos Vario se requiere la barra de conexión VA 420 000/001/010/011. Esta está disponible por separado como accesorio especial. Considerar la necesidad adicional de espacio para la barra de conexión entre los aparatos al elaborar el corte (ver las Instrucciones de instalación VA 420 000/001/010/011).



Los equipos se pueden instalar también en huecos individuales, manteniendo una distancia mínima de separación entre los equipo de 2" (51 mm).

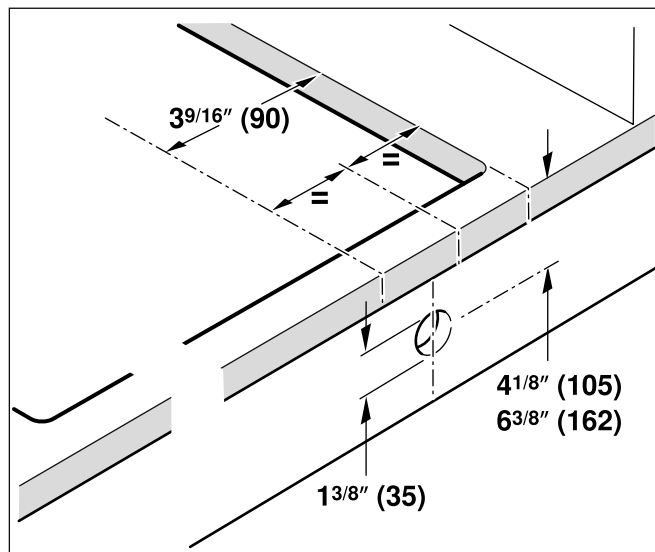
Para la combinación de aparatos con o sin cubierta de aparatos, se pueden compensar las diferencias de medidas mediante la prolongación de aparatos VA 450 110/-400/-600/-800/-900 (según el ancho del aparato).



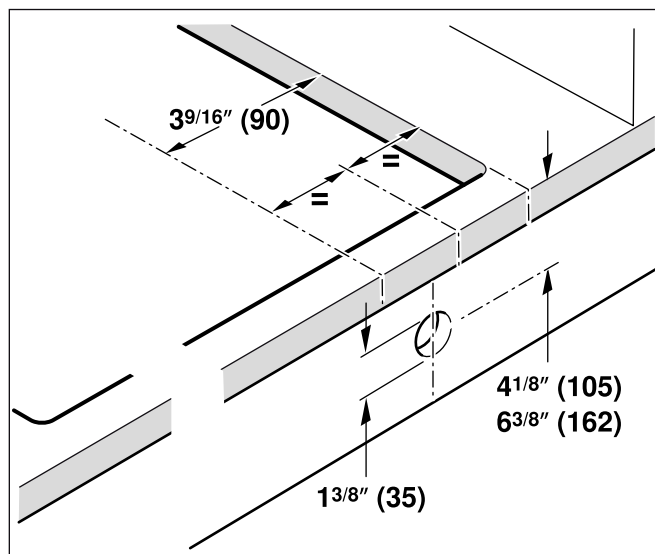
Perforación para la perilla de mando

El tablero de mandos incorporado está integrado en el gabinete a la altura del cajón. Grueso del panel: $\frac{5}{8}$ " - 1" (16 - 26 mm)

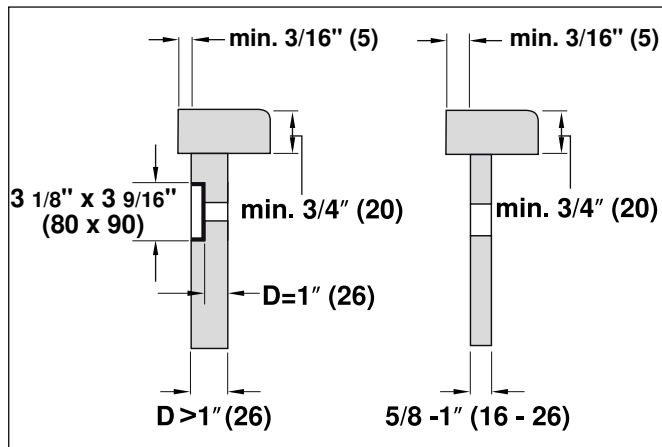
- 1 Realice las perforaciones de acuerdo a la figura $\text{Ø } 1 \frac{3}{8}$ " (35 mm) para fijar la perilla de mando en la parte frontal del gabinete. Una plantilla de perforación se adjunta para el posicionamiento exacto de los agujeros de taladro.



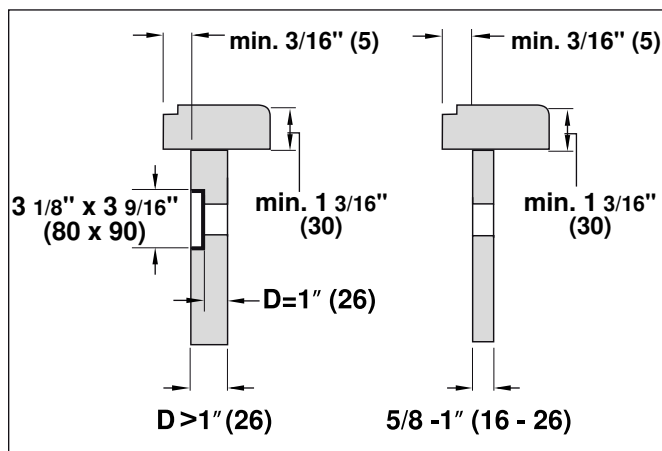
Para la instalación al ras:



- 2 Si el panel frontal tiene un espesor superior a 1" (26 mm): Realice un fresado en la parte posterior del panel frontal, de manera que el espesor no sea mayor a 1" (26 mm). Realice las dimensiones del fresado de manera correspondiente al tablero de mandos.



Para la instalación al ras:

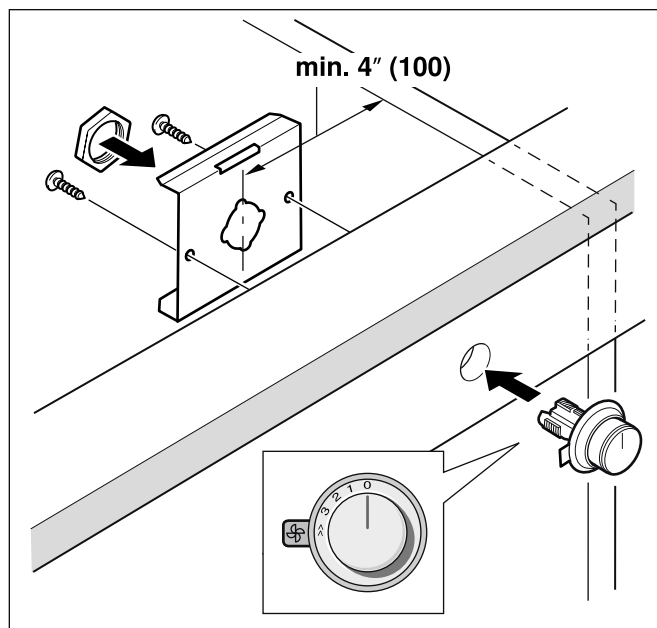


Procedimiento de instalación

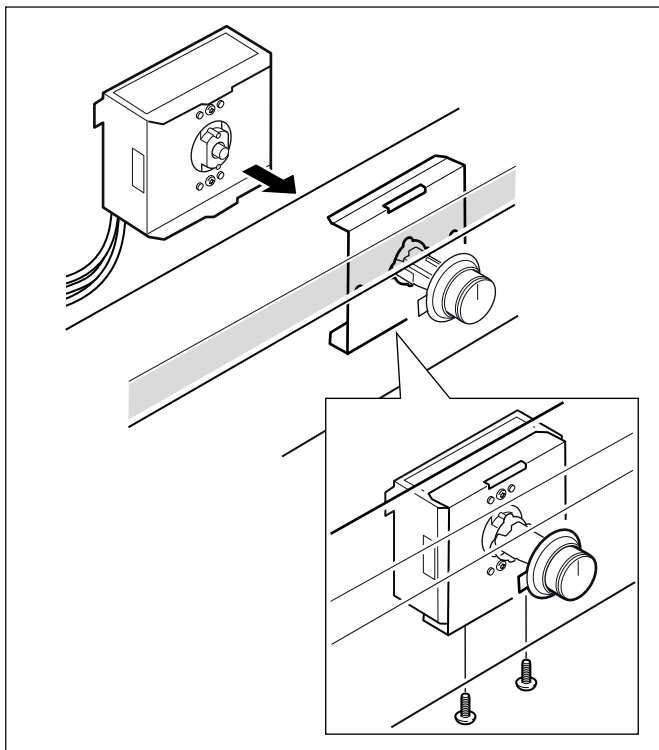
Montar el panel de mandos

Nota: El aparato únicamente se debe montar con el panel de mandos correcto.

- 1 Retire el embalaje de los módulos de mando y extraiga la lámina de protección de los anillos luminosos.
- 2 Sostenga la lámina de sostén desde atrás contra la pantalla frontal. Introduzca la perilla de mando desde adelante en las perforaciones, y fijela por detrás con la tuerca.



- 3 Atornille el panel de control a la placa de montaje con los tornillos incluidos.



⚠ ATENCION

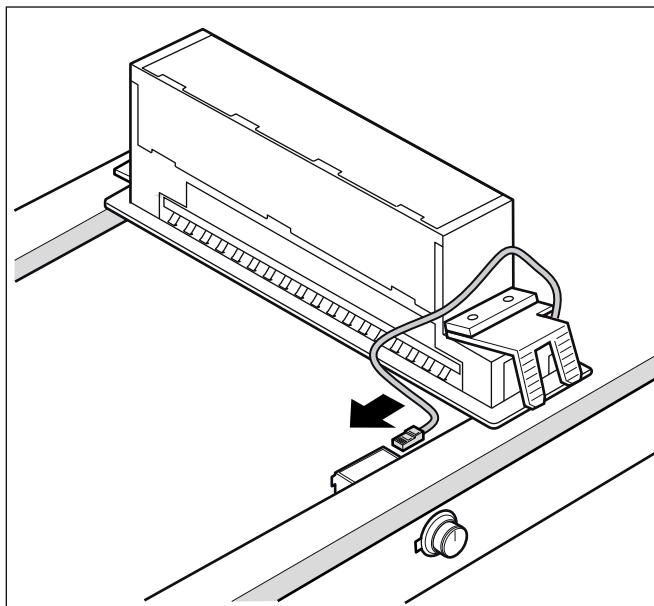
¡Daños al equipo! Conecte la conexión equipotencial. Antes de poder conectar el cable de control del tablero de mandos, debe aplicarse el cable a tierra de la unidad de control al tablero de mandos.

Montaje del aparato

⚠ ADVERTENCIA

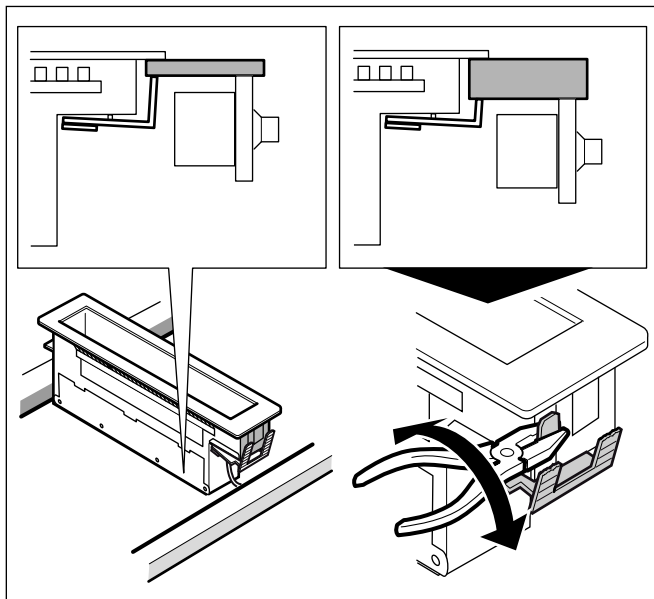
Antes de enchufar un cable eléctrico o apagar la fuente de alimentación eléctrica, asegúrese de que todos los controles se encuentren en la posición OFF (Apagado).

- 1 Conecte el cable de control en el contacto del equipo. El enchufe tiene que encajar.



- 2 Acorte el soporte frontal de la tina de acuerdo con el grosor de la placa de trabajo. Corte la placa en el punto de rotura designado.

Nota: Asegúrese de que no quede excesivamente reducido, debe garantizarse la fuerza de sujeción a la superficie de trabajo.

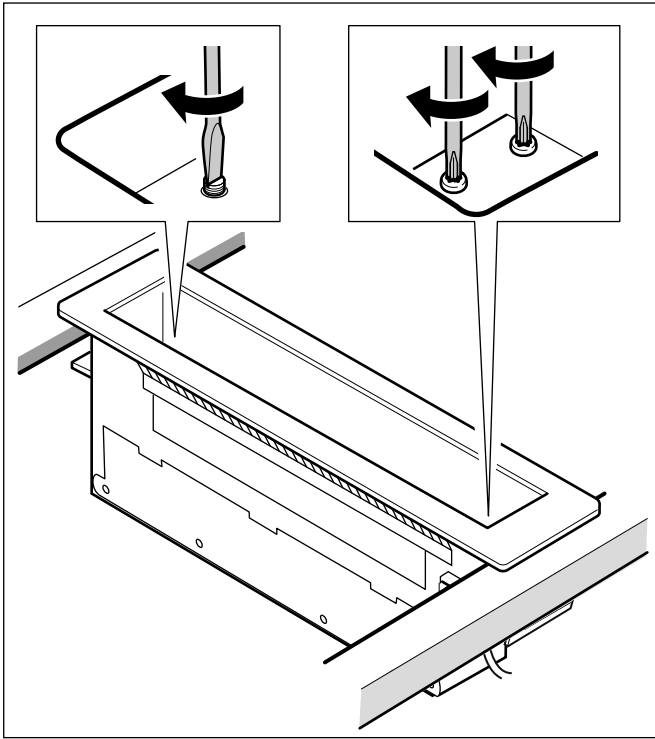


Insertar el dispositivo horizontalmente en el hueco y alinearlos. Apriete el soporte de la tina con los tornillos en el interior de la unidad.

Notas

- No apriete demasiado el soporte de la tina, tenga cuidado de conservar una ranura de sellado uniforme alrededor de todo el borde.
- Al apretar, el soporte trasero se sale por sí mismo.

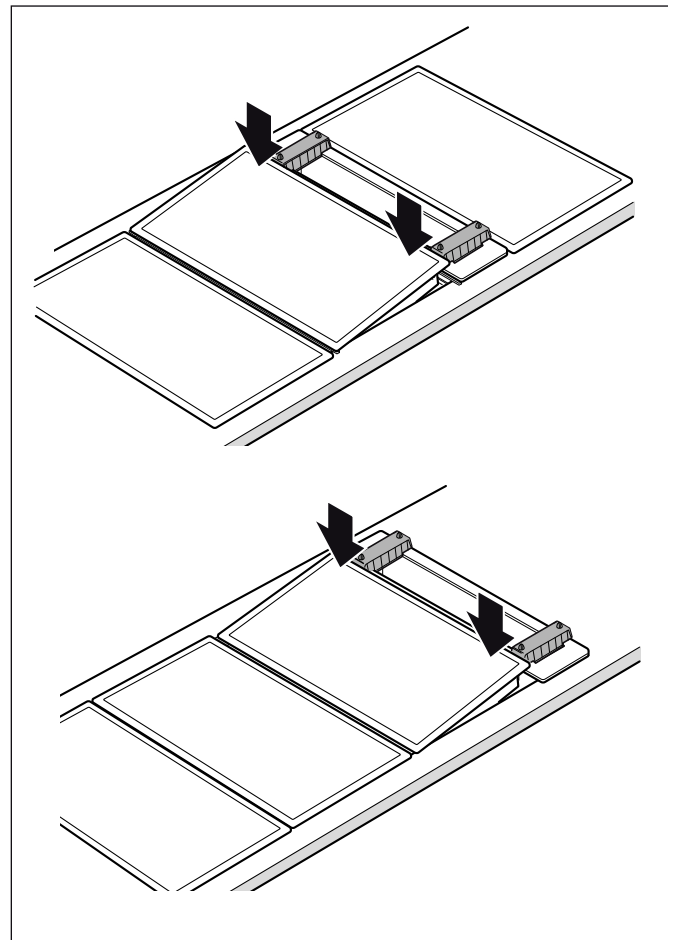
- El dispositivo no debe ser pegado con silicona sobre el mostrador.



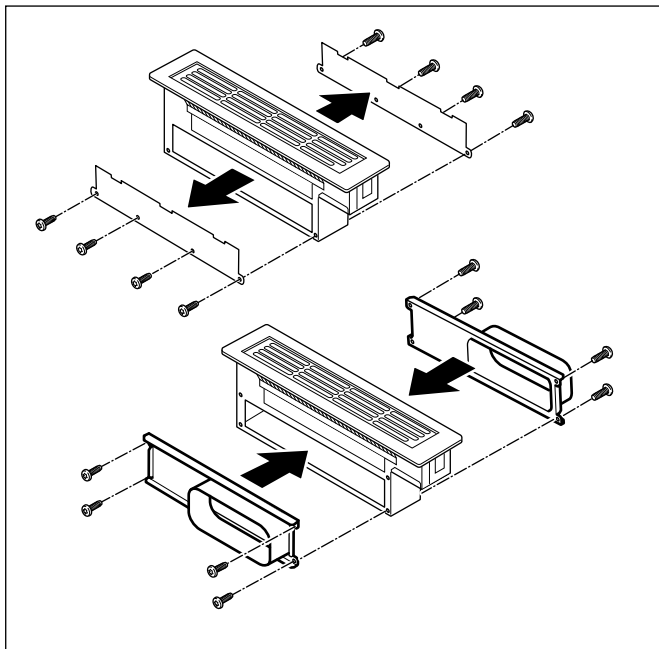
- 3 Usar la ayuda de montaje. Introducir y alinear la ventilación de la tina en el hueco correspondiente. Quitar el elemento de cierre. Colocar la ayuda de montaje en diagonal en el hueco de ventilación y alinearla de forma vertical al equipo. Coloque el equipo en diagonal frente a la ventilación de la tina y presiónelo para introducirlo en el hueco con la ayuda de montaje. Retire la ayuda de montaje. Fijar la ventilación como se describió anteriormente.

Notas

- Si la ventilación de la tina se encuentra en una combinación con varios equipos Vario en el penúltimo o último lugar, se tiene que utilizar la ayuda de montaje incluida.
- La ayuda de montaje protege los bordes del dispositivo contra daños.

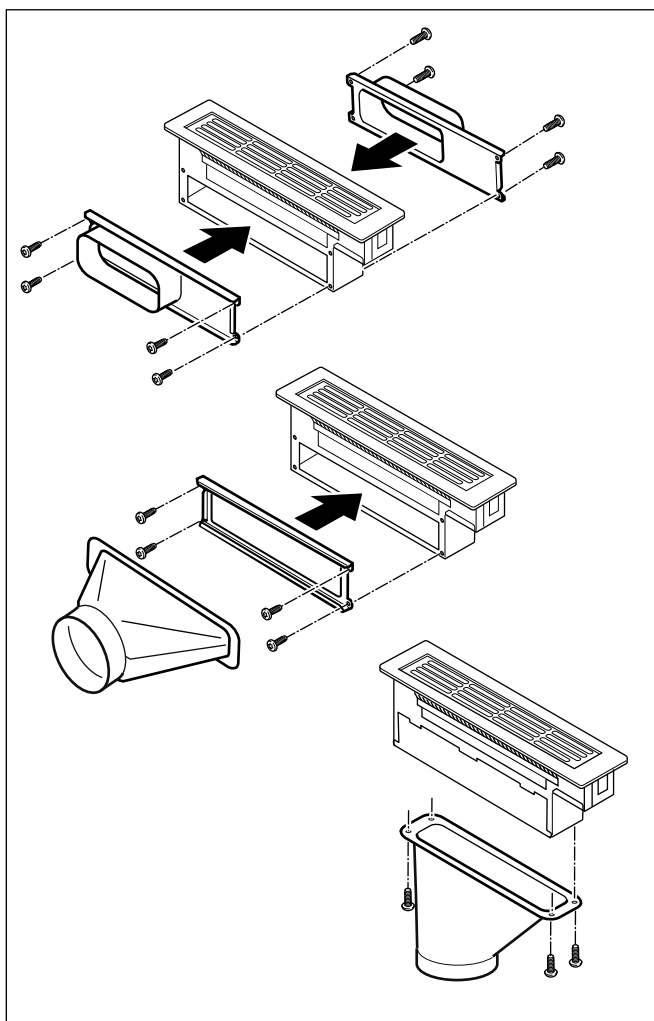


4 Monte los empalmes en la posición deseada.



Notas

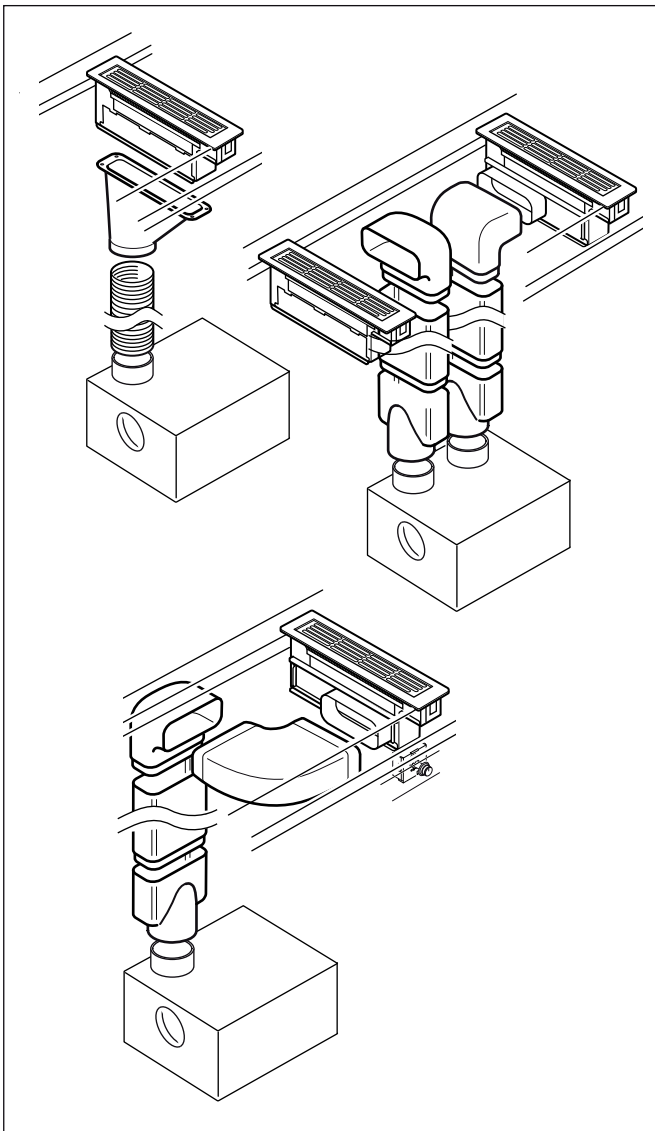
- El canal plano solamente se puede conectar debajo de los dispositivos de inducción.
- Según la situación de la instalación, el conducto de escape puede ir en tres diferentes direcciones.
- Según las condiciones del espacio, el empalme se puede girar 180°.
- Con respecto al conducto de escape, tome en cuenta también el instructivo del componente del ventilador.



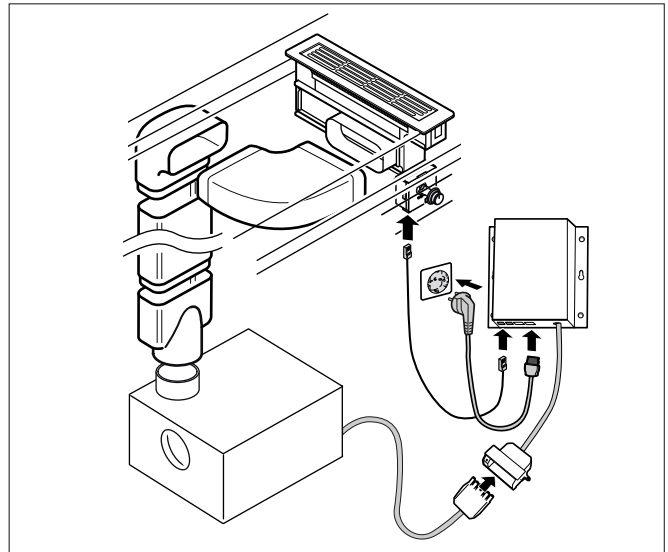
- 5 Fije el tubo de escape en el empalme y séllelo adecuadamente.

Notas

- El escape de los aparatos de gas no se puede enviar a través de canales planos. Debido a las altas temperaturas del escape, éstos pueden deformarse.
- En combinación con los aparatos de gas se deben utilizar tubos de aluminio.
- Si se utiliza un tubo de aluminio, aplane antes la sección de conexión.



- 6 Conecte el cable de control de la unidad de control en el contacto del panel de control. Conecte el cable de alimentación de la unidad de control y el módulo de ventilador. Los enchufes tienen que encajar. Conecte la unidad de control a la red y compruebe el funcionamiento. Si el dispositivo no funciona, compruebe el ajuste correcto del cable de conexión



- 7 **Sólo para modelos con diseño empotrado a nivel:** ¡Antes de cubrir las rendijas, lleve a cabo sin falta una prueba de funcionamiento! La rendija circundante se debe cubrir con un pegamento de silicón adecuado, resistente a altas temperaturas (p. ej. OTTOSEAL® p. 70). Aplane la rendija de cierre hermético con el medio de aplanado recomendado por el fabricante. Tome en cuenta las indicaciones de trabajo del pegamento de silicón. Ponga el equipo en funcionamiento solamente hasta que el pegamento de silicón se haya secado totalmente (por lo menos 24 horas, según la temperatura ambiente).

AVISO: El pegamento de silicón inadecuado produce decoloraciones permanentes en las placas de trabajo de piedra natural.

Conexión de la alimentación eléctrica

Para más información, véase la placa de características. Véase la ubicación de la placa de características en "Servicio".

El amperaje máximo de los disyuntores derivados, la sección de los cables y las conexiones deben ser conformes con los requisitos del Reglamento electrotécnico nacional o el Reglamento eléctrico canadiense, así como con todos los demás reglamentos y disposiciones locales.

Conectar un conducto flexible a la caja de conexión. Conectar los cables a la fase correcta de los cables de alimentación de la caja de conexión:

- Negro (L1) a negro
- Rojo (L2) a rojo
- Verde a masa

El cable de red debe corresponderse, como mínimo, con el tipo SJTO 3x16 AWG 105°C. La compra y la conexión del cable de red deben realizarse únicamente por medio de un especialista autorizado.

Conexión con un enchufe

- El enchufe debe ser conforme con las CONFIGURACIONES NEMA PARA ENCHUFES Y CAJAS.
- El aparato debe estar debidamente conectado a tierra.
- El enchufe debe ser, como mínimo, de tipo 6-20 P (puesta a tierra de 2 polos y 3 conductores).
- La conexión del enchufe debe ser realizada únicamente por un técnico electricista cualificado.
- Instalar una base de enchufe aprox. 27" (700 mm) por encima del suelo y detrás del aparato de acuerdo con la normativa. Debe garantizarse el acceso a la base de enchufe después de su instalación.

Guía conductora de aire

Si la ventilación de la cubeta se opera al lado de un aparato de gas, al cocinar se tiene que poner una guía conductora del aire AA 414 010 sobre el aparato de gas. La guía conductora del aire mejora la acción absorbente en los aparatos de gas. La guía conductora de aire evita que las llamas pequeñas se apaguen por la corriente de aire.

AA 414 010 Guía conductora de aire, para usarse junto al equipo de gas VG 414/415/424/425

Desmontaje del aparato

Desconecte el aparato de la corriente. En los aparatos montados a ras de superficie, retire la junta de silicona. Extraiga el aparato presionando desde abajo.

ATENCION

¡Daños en el aparato! No intente extraer el aparato haciendo palanca desde arriba.

Servicio de atención al cliente

Si su aparato necesita una reparación, nuestro servicio de atención al cliente estará encantado de ayudarle. Siempre encontramos la solución adecuada, incluso para evitar visitas innecesarias de los técnicos.

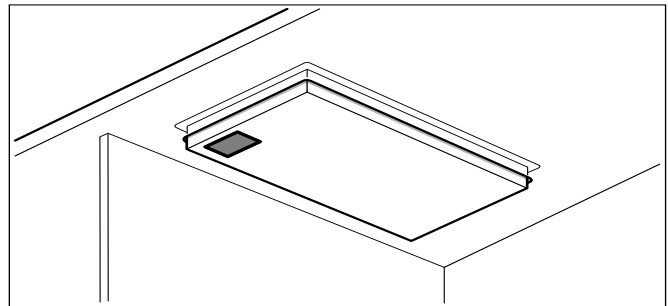
Cuando llame por teléfono, indique la referencia del producto (Nº E) y el número de fabricación (Nº FD) para que podamos ofrecerle un servicio cualificado. La placa de identificación con los números correspondientes los encontrará en la parte inferior del aparato. Para evitar tener que buscar los datos de su aparato cuando los precise, es aconsejable anotarlos aquí conjuntamente con el número de teléfono del Servicio de atención al cliente.

Nº E.

Nº FD.

Servicio de atención al cliente 

Tenga en cuenta que la visita del técnico del servicio de atención al cliente no es gratuito en caso de que el mal funcionamiento sea debido a un manejo incorrecto del aparato.



Las señas de las delegaciones internacionales figuran en la lista adjunta de centros y delegaciones del Servicio de Asistencia Técnica Oficial.

Solicitud de reparación y asesoramiento en caso de averías

US 877 442 4436
toll-free

Confíe en la competencia del fabricante. De esa forma se asegura de que la reparación se lleva a cabo por personal técnico debidamente instruido, equipado con las piezas originales y de repuesto necesarias para su aparato.

Gaggenau

BSH Home Appliances Ltd.
1901 Main Street, Suite 600
Irvine, CA 92614
+1.877.442.4436
USA
www.gaggenau-usa.com

Gaggenau Hausgeräte GmbH

Carl-Wery-Straße 34
81739 München
GERMANY

GAGGENAU

