



Color Variants
 VL414110
 Stainless Steel
 Ventilation element.

VL414110
Vario downdraft ventilation 400 series
Stainless Steel
 Ventilation element.
 Air extraction/recirculation with remote fan unit AR 400/401/413
 Comes without blower and AA 490 control knob.

Highly efficient ventilation system at cooktop level
 Up to 4 ventilation elements can be connected to one blower, operated by one AA 490 control knob. Control knob has to be ordered separately. Flexible power distribution, precise extraction of cooking vapors only at the open ventilation element.
 Precision crafting of 1/8-inch stainless steel
 For surface mount installation with a visible edge or for flush installation
 Can be perfectly combined with other Vario products of the 400 series
 Minimal planning and easy installation for air recirculation

Output
 Maximum air output in combination with AR inline blower/ remote blower or recirculation kit. For CFM info, refer to the Models & Dimensions, Edition 2013. Noise level depends on the built-in situation.

Features
 Ventilation flaps will open when manually pushed down.
 Closing element made of stainless steel, dishwasher-safe.
 Metal grease filter with grease dripping tray, dishwasher-safe.
 Sensor-controlled operation of the AR blower if at least one VL 414 downdraft unit is open.
 No duct connection pieces are included. Must order AD724040 transition to 5" round duct to vent downwards/to left or to the right side and AD724041 adaptor if venting to left or right side of VL 414 downdraft.

Planning notes
 Depending on the type of installation - surface-/ or flush-mounted, with or without cover - the specific location of the control knob positions may vary. When using the appliance cover VA 440 or adjustment strip VA 450 additional space for cut-out depth needs to be considered.
 In a combination of Vario cooktops with at least one appliance cover, the adjustment strip VA 450 is required. In a combination of several Vario 400 series cooktops a connection strip must be used. Depending on the type of installation - surface-/ or flush-mounted, with or without cover - the respective VA 420 connecting strip must be used.
 For flush installation the edge height in the cut-out needs to be at least 1/2" and for surface-mount 3/8". Ensure a continuous cut surface of 90°.
 The weight capacity and stability, especially in case of thin countertops, must be supported using suitable substructures. Take the appliance weight and additional loads into account.
 Flush installation is possible in countertops made of stone, synthetics or solid wood. Heat resistance and watertight sealing of the edges must be observed. For other materials, please consult with your countertop manufacturer.

Product Features
Operating Mode
 Convertable: Ducted / Recirculating
Number of speed settings
Delay Shut off modes
Silence level (dBA)
 68
Required accessories
Optional accessories
 AA414010
Number of lights
Type of lamps used
Total power of the lamps (W)
Grease filter material
 Washable stainless steel
Grease filter type
 Multilayer cassette
Clean filter reminders

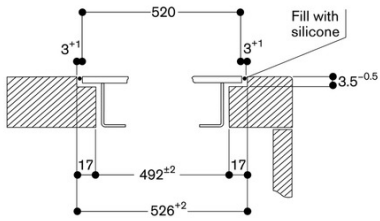
Consumption and connection features
UPC code
 825225901440
Material
 Stainless steel
Watts (W)
Current (A)
 10
Volts (V)
Frequency (Hz)
 60; 50
Approval certificates
 CE, VDE
Power Cord Length
Plug type
Overall appliance dimensions (HxWxD) (in)
 / x 4 5/16 x 20 15/32
Product packaging dimensions (HxWxD) (in)
 6.69 x 15.35 x 23.22
Height of the chimney (in)
Vertical rise height
Required distance above cooktop/ ranges
Net weight (lbs)
 9
Gross weight (lbs)
 15
Adjustable feet
Motor location
 without motor
Maximum CFM
Diameter of air duct (in) top
Diameter of air duct (in) back
Discharge direction
 downward
No-return airflow flap
 No
2016-12-30
Page 1

The groove must be continuous and even, so that uniform placing of the appliance on the gasket is ensured. Do not use discontinuous lining.
 The joint width may vary due to size tolerances of the combinations and of the countertop cut-out.
 If installing several Vario products in individual cut-outs allow for a minimum distance of 2" inbetween the cooktops. Air extraction operation in combination with AR 400/401 remote/inline blower or recirculation mode with AR 413. Please refer to page xxx for recommended configurations of downdraft ventilations and remote fan units and the needed ducting elements. Maximum cooktop width between two VL downdraft elements is 24".
 If used next to gas cooktops, the air deflector AA414010 is recommended to ensure maximum performance of the cooktop.
 No duct connection pieces are included, they must be ordered separately. Either AD724040 transition to 5" round duct to connect to bottom/left/right side of VL and AD724041 transition if connecting duct to left or right side of VL downdraft.
 When connecting 2 VL downdrafts, 2x 5" round ducts are required to connect to one of the AR blowers. Note: when connecting 2 VL downdrafts with AR 401 740 remote blower, an Y-adaptor is required (can be purchased at local hardware store).
 When connecting 3 or 4 VL downdrafts, only AR400740 inline blower can be used.
 Please ensure when installing the exhaust air ducting that no sharp bends are caused and that the cross-section of the ducting is not constricted in any way. This can have an impact on the blower performance.
 Appliance can be snapped into the countertop from above. Additional fixing by clamps that are accessible from the top, clamping range from 1 3/16" to 1 15/16".

Rating
 Plan for a 6.6' connection cable between VL 414 downdraft and AA 490 control knob.

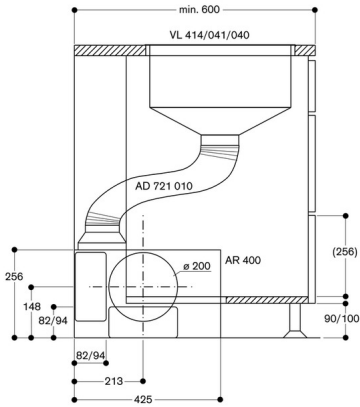
VL414110
 Vario downdraft ventilation 400 series
 Stainless Steel
 Vaentilation element.
 Air extraction/recirculation with remote fan unit AR 400/401/413
 Comes without blower and AA 490 control knob.
 2016-12-30
 Page 2

Cross-section

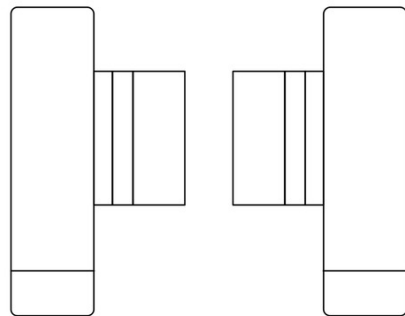
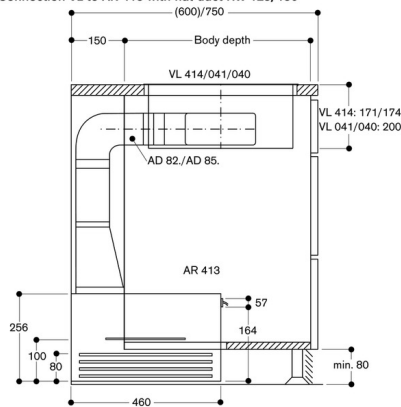


During installation with appliance cover or compensating strip, pay attention to the deeper cutout and the groove width in front and back.

Connection VL to AR 400 with alu flex tube NW 125

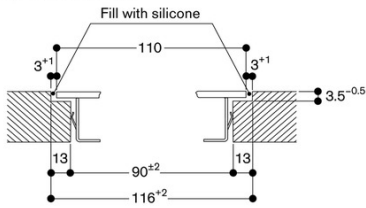


Connection VL to AR 413 with flat duct NW 125/150

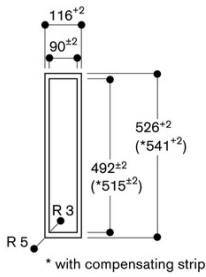


VL414110
 Vario downdraft ventilation 400 series
 Stainless Steel
 Vaentilation element.
 Air extraction/recirculation with remote fan unit AR 400/401/413
 Comes without blower and AA 490 control knob.
 2016-12-30
 Page 3

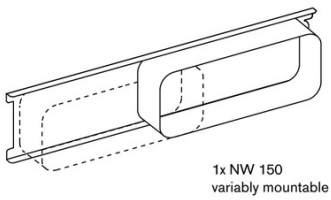
Longitudinal section



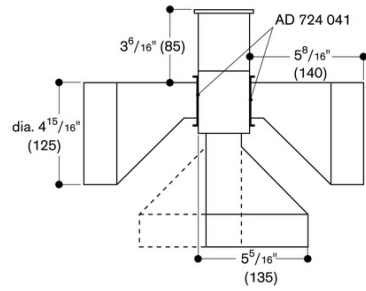
View from above



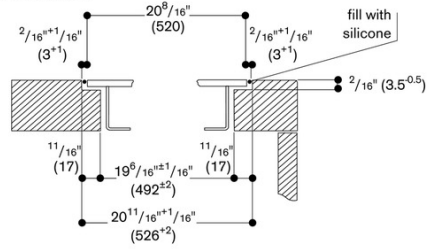
AD 854 046



VL 414 with AD 724 040/041

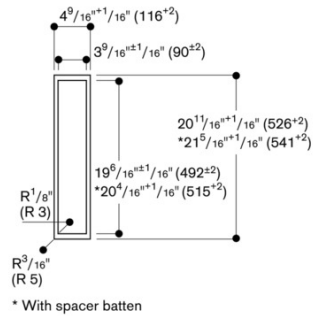


Cross-section



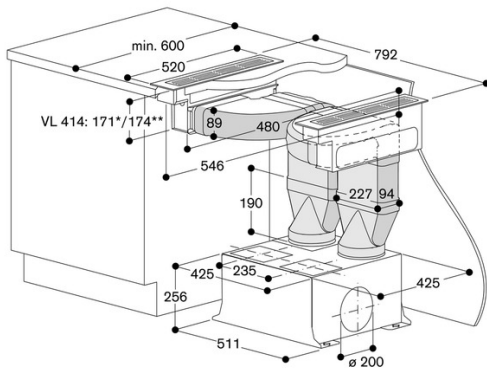
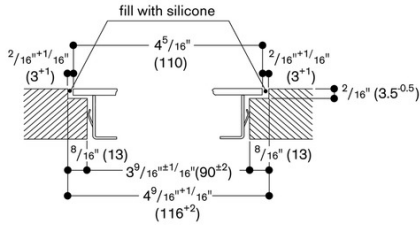
When installing with appliance cover or spacer batten, pay attention to the deeper cut-out and the front and rear groove width.

View from above

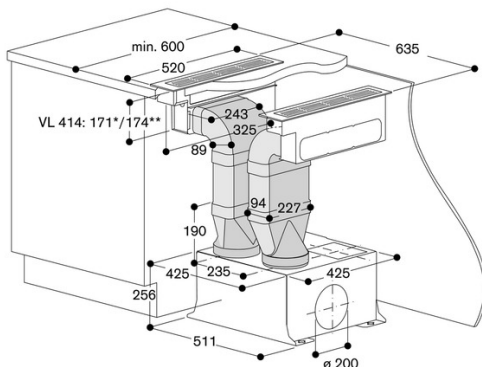


VL414110
 Vario downdraft ventilation 400 series
 Stainless Steel
 Vaentilation element.
 Air extraction/recirculation with remote fan unit AR 400/401/413
 Comes without blower and AA 490 control knob.
 2016-12-30
 Page 4

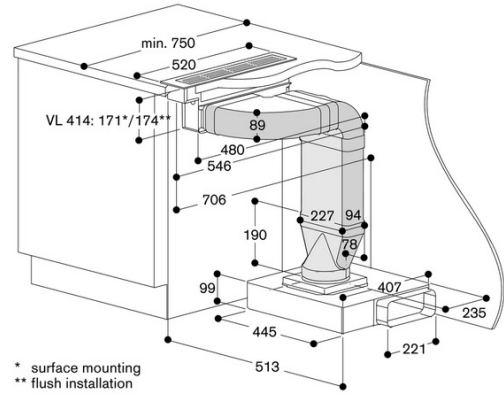
Longitudinal section



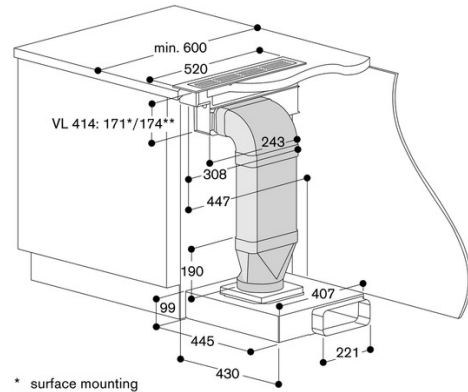
* surface mounting
 ** flush installation



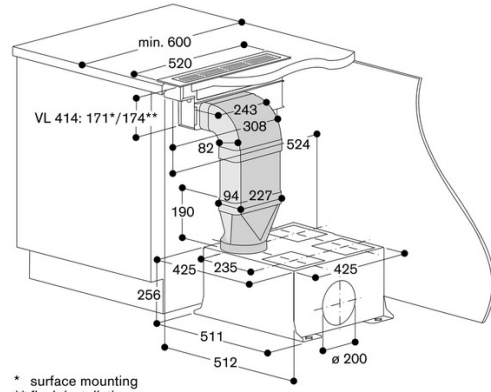
* surface mounting
 ** flush installation



* surface mounting
 ** flush installation

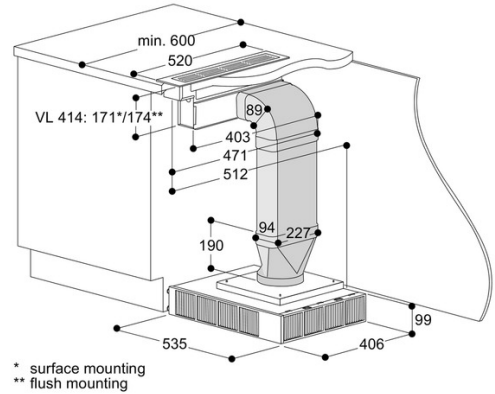
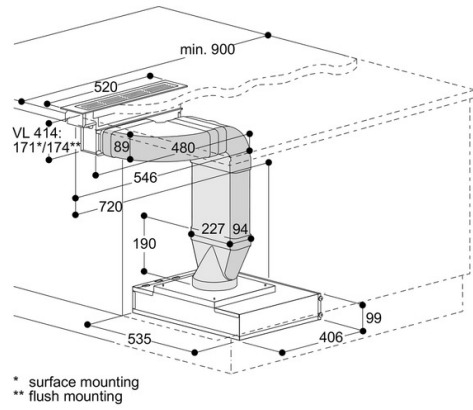
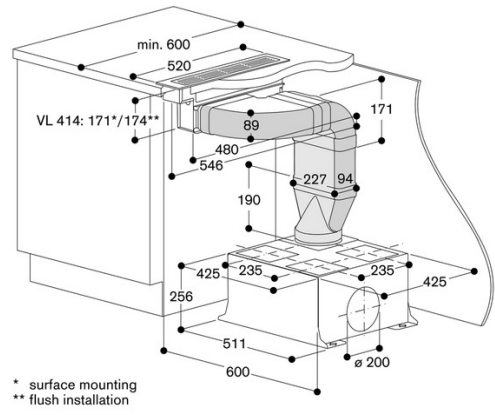
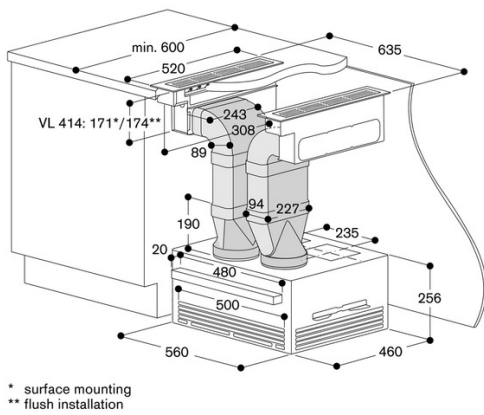
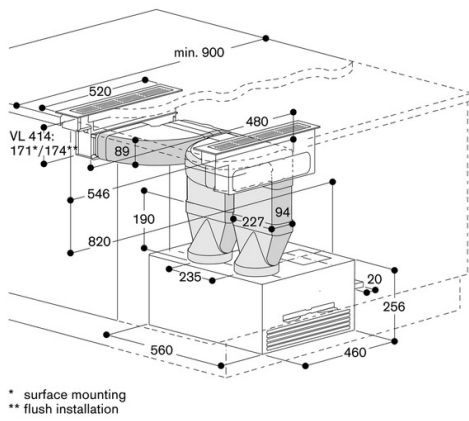
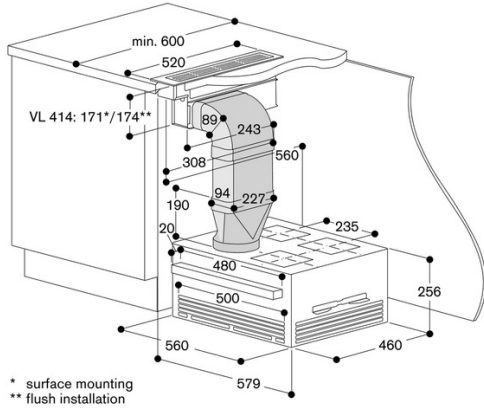


* surface mounting
 ** flush installation



* surface mounting
 ** flush installation

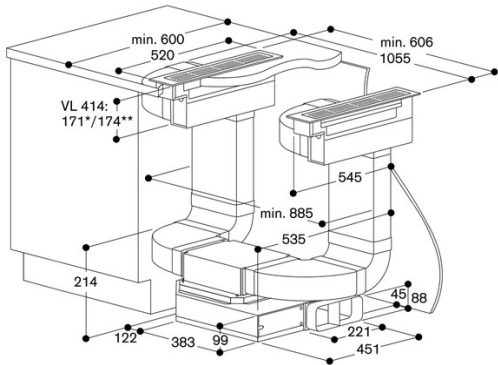
VL414110
 Vario downdraft ventilation 400 series
 Stainless Steel
 Vaentilation element.
 Air extraction/recirculation with remote fan unit AR 400/401/413
 Comes without blower and AA 490 control knob.
 2016-12-30
 Page 5



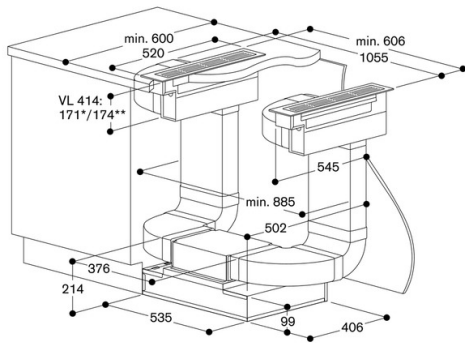
VL414110
Vario downdraft ventilation 400 series
Stainless Steel

Vaentilation element.
Air extraction/recirculation with remote fan unit AR 400/401/413
Comes without blower and AA 490 control knob.

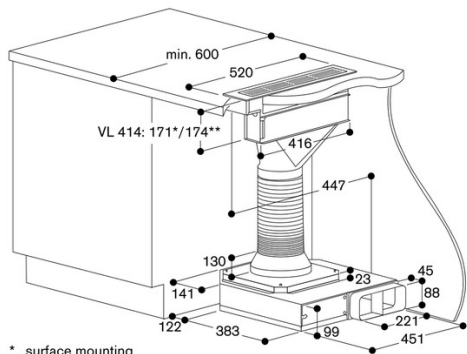
2016-12-30
 Page 6



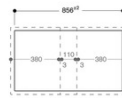
* surface mounting
 ** flush mounting



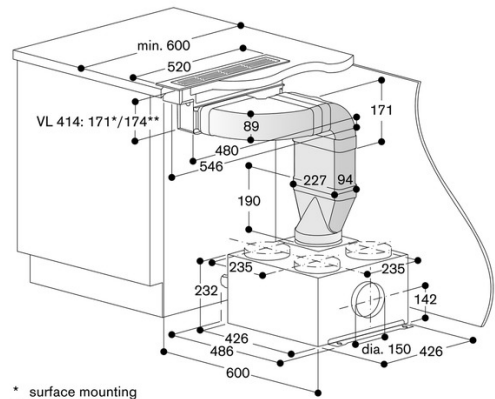
* surface mounting
 ** flush mounting



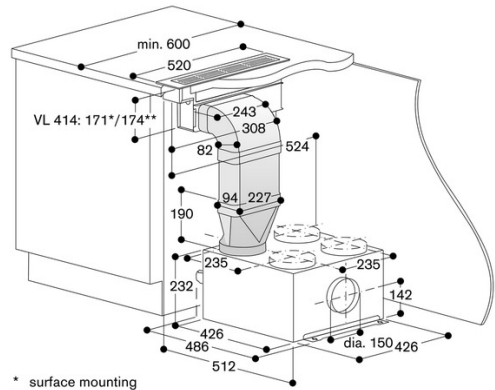
* surface mounting
 ** flush installation



380	Appliance
3	Connection bar
110	CB
3	Connection bar
380	Appliance
876	Appliance
3	Quantity
856	Output



* surface mounting
 ** flush installation



* surface mounting
 ** flush mounting

