



**400 series two-door bottom freezer**  
**RB 492**

- Stainless steel interior
- Generous LED lighting concept
- Solid aluminum door bins
- Net volume 19.7 cu.ft.
- Integrated automatic ice maker with fixed water connection in the freezer drawer
- One motorized glass shelf, adjustable when fully loaded
- One asymmetrically split glass shelf
- Fully extendable freezer drawer with practical divider
- ENERGY STAR® certified
- Star-K certified

**Operation**

Electronic precision temperature control with digital temperature display.

**Technical features**

Dynamic cool air distribution with Multi-Flow Air System.  
Automatic defrosting with defrost water evaporation.  
Activated charcoal air filter.  
Energy-saving vacation mode.  
Open-door and malfunction warning system.

**Cooling compartment**

Net volume 14.3 cu.ft.  
No-frost technology with fast cooling. Temperature adjustable from 35°F to 46°F (+2°C to +8°C).  
2 safety glass shelves, 1 of which is motorized.  
1 asymmetrically split safety glass shelf, manually adjustable.  
2 fully extendable drawers with transparent front.  
Bright interior lighting with LED sidewall pillars.  
2 height adjustable door bins, one large gallon door bin.  
1 door bin with transparent front flap.

**Temperature controlled drawer**

Net volume 0.9 cu.ft.  
No-frost technology.  
1 continuous, fully extendable temperature controlled drawer close to 32°F with transparent front, manually controllable.

**Freezer compartment**

Net volume 5.8 cu.ft.  
No-frost technology with fast freezing. Temperature adjustable from 7°F to -9°F (-14°C to -25°C).  
2 fully extendable drawers.  
Interior lighting with two spot lights.  
Freezing capacity 51 lbs./24h.  
Storage time after malfunction 22h.

**Ice dispenser**

Integrated automatic ice maker in the freezer compartment, with fixed water connection.  
Ice maker can be switched off independently.  
Ice cube production approx. 3.1 lbs. (1.4 kg)/24 h.  
Removable ice storage bin with approx. 4.4 lbs. (2 kg) capacity.

**RB 492 701**

Two-door bottom freezer with integrated ice maker  
Fully integrated  
Width: 36"

**Included accessories**

- 1 ice scoop
- 1 egg holder with lid

**Required installation accessories**

**RA 460 000**

Installation kit for side-by-side installation (for connecting any two columns) Side-by-side kit comes already attached to all RF freezers and RW wine units.

**RA 460 010**

Heating kit if columns are not attached (in separate niches) and less than 6" apart.

**Installation accessories**

**RA 425 110**

Long stainless steel handle for fresh food door, length 44 1/2", with three brackets, drilling distance between each mount 21 1/16".

**RA 425 910**

Short stainless steel handle for freezer drawer, length 31 3/8", with two brackets, drilling distance between the mounts 31".

**RA 460 030**

Connecting element for vertically split appliance fronts (for bottom freezer combination).

**RA 421 910**

Stainless steel door panels with handles  
Panel thickness 3/4".

**RA 461 910**

Ventilation grill  
Stainless steel.



**Planning notes**

Flat hinge.  
Door hinge right, reversible.  
Door opening angle of 115°, optional 90° door stop.  
Max. door panel weight: Door 77 lbs.  
Drawer 22 lbs.  
Requires custom toe-kick.  
Shut-off valve for water connection must be planned next to the appliance and always be accessible.  
If the water pressure exceeds 116 psi, connect pressure relief valve between water tap and hose set.  
Cold water connection required.  
Electrical location 6" above ground in lower left corner of unit.  
Water pressure 29 to 116 psi.

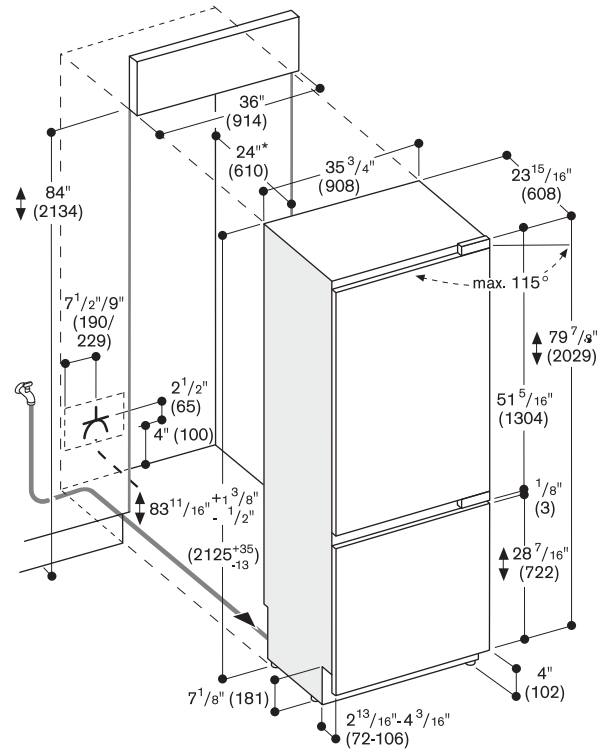
For details, please refer to the refrigeration planning guide on pages 195-211.

**Consumption data**

Energy consumption 1.619 kWh/24 h.; annually: 591 kWh  
Noise level 41 dBA.

**Rating**

Total rating 0.588 kW.  
Total Amps: 15 A.  
120 V / 60 Hz  
Connecting cable 78 3/4" with plug.  
Supply hose 118" with 3/4" connection.



The door face dimensions are designed for a maximum gap of 1/8" (3 mm).  
\* For a flush-mounted appearance, the minimum cut-out depth must be 25".  
See more details on pages 198 and 205.

Numbers indicated inside parenthesis ( ) = mm