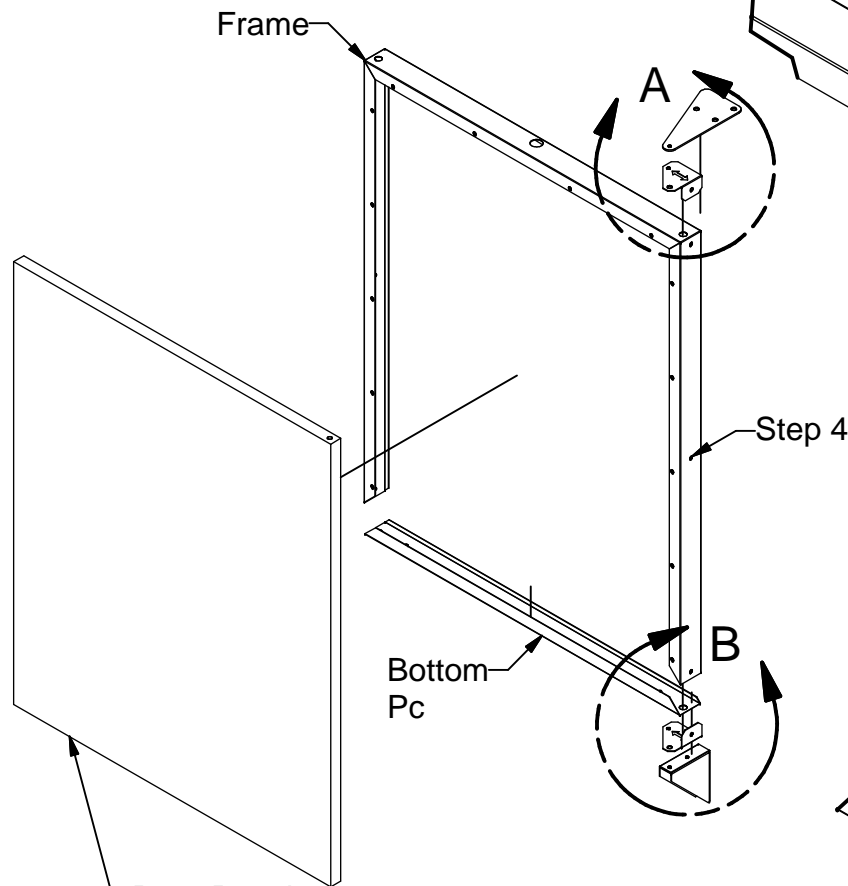


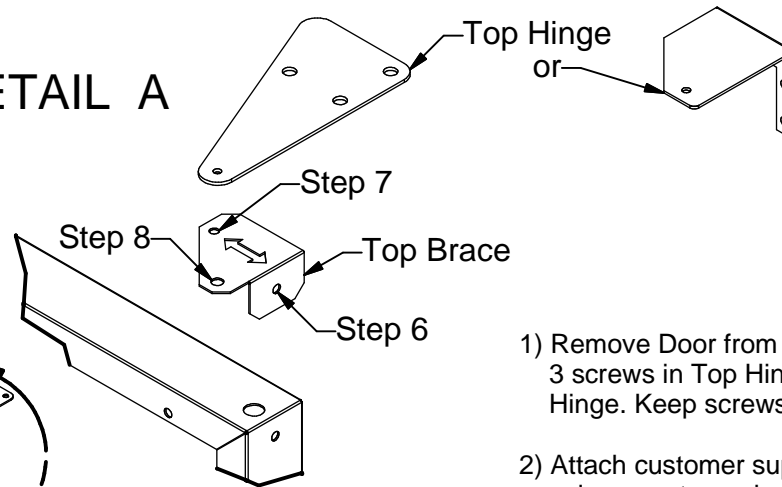
# Instructions for Integrated Frame (Built-In Application)



Door Panel  
23 5/16" x 28 1/4" FF7  
19 1/2" x 31 1/2" FF511  
14 5/8" x 30" SCR1536B  
SWC1535B

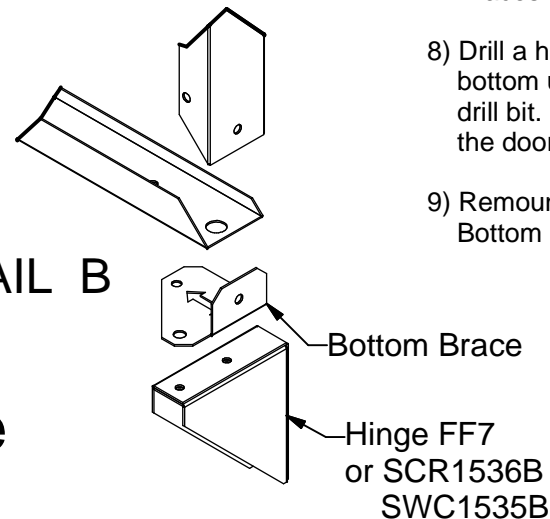
**Summit Appliance**  
1-718-893-3900

## DETAIL A



Step 4

## DETAIL B



- 1) Remove Door from Chassis by unscrewing 3 screws in Top Hinge and 2 screws in Bottom Hinge. Keep screws, discard hinges.
- 2) Attach customer supplied handle to Door Panel using countersunk screws.
- 3) Screw Door panel to Frame using 14 screws.
- 4) Slide Frame over Refrigerator door and attach with 1 screw on each side, center of door.
- 5) Screw Bottom Pc to Door with 2 screws.
- 6) Attach Top Brace to Frame with 1 screw on side. Attach Bottom Brace in the same manner.
- 7) Drill a hole thru the Top and Bottom Frame using the Braces as a guide with a 5/32" drill bit. Install screws to finish attaching the Top and Bottom Braces securely to the Frame.
- 8) Drill a hole into the Door Panel from the top and bottom using the Braces as a guide with a 1/4" drill bit. Do not exceed 5/8". This is the hole that the door will pivot on.
- 9) Remount the door using the supplied Top and Bottom Hinges.

