

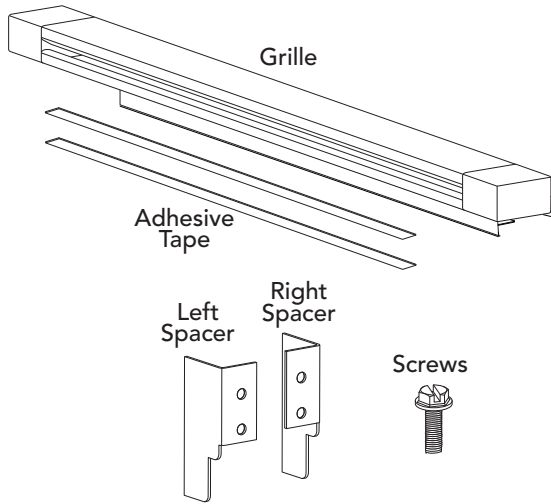
Installation GUIDE

3 SERIES

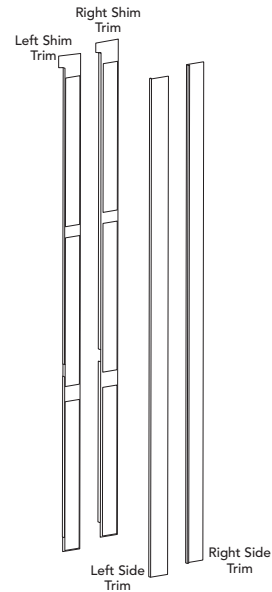
French Door Refrigeration (RVRF336 Series)
Side Trim and Top Grille Kit

*GKRVPFSS
STKRVRFSS*

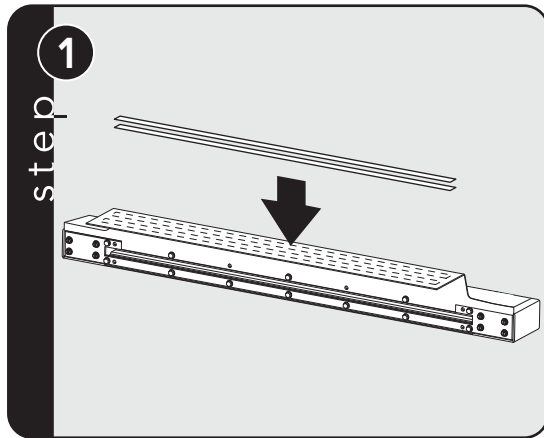
Parts included in GKRVERFSS Top Grille Kit



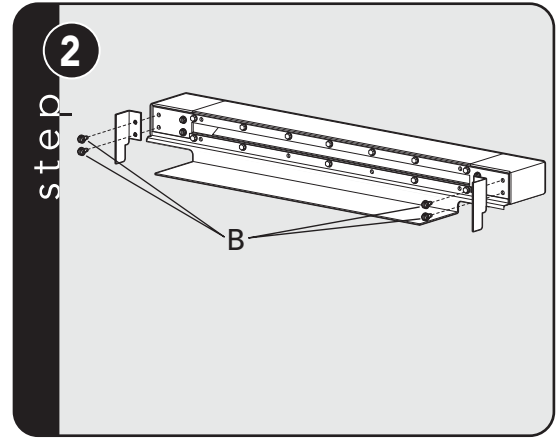
Parts included in STKRVERFSS Side Trim Kit



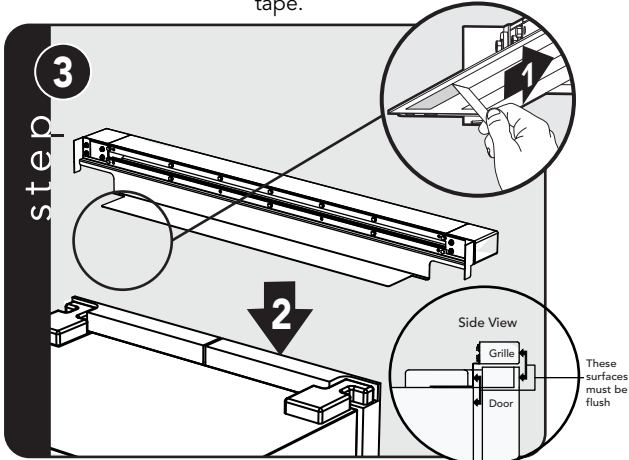
Installation - GKRVERFSS (Top Grille without side trim)



Apply adhesive tape to grille assembly. Trim excess tape.

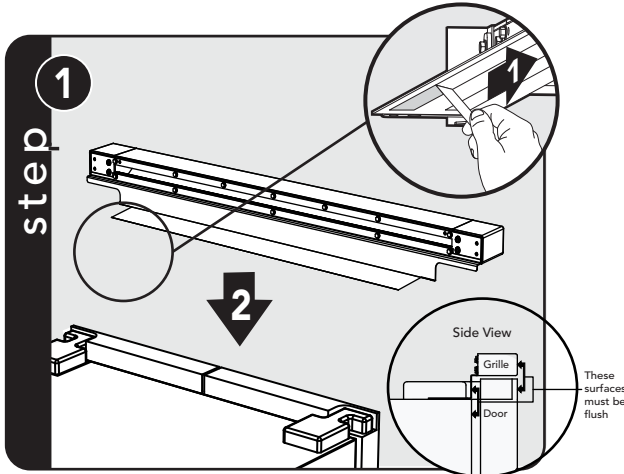


Attach spacers, included in the kit, to the grille assembly with four screws.

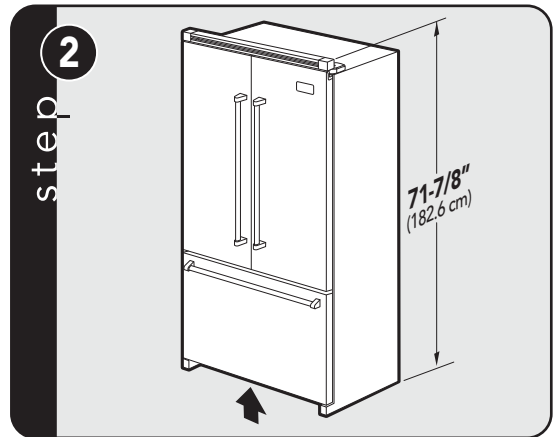


Remove adhesive backing. Align and position grille on top of unit so that the face of the grille and the face of the door are flush. Firmly press the grille assembly down so the adhesive adheres to the cabinet.

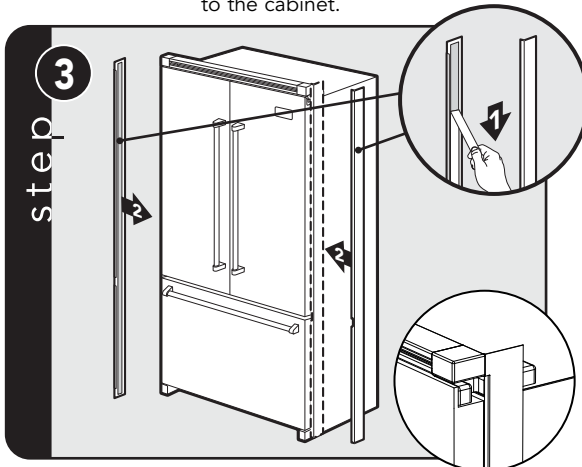
Installation - GKRVRFSS and STKRVRFSS (Top Grille with Side Trims)



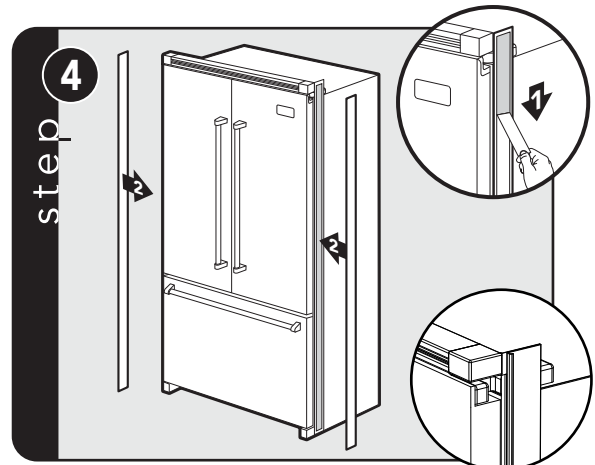
Apply tape to grille assembly. Do not attach spacers. Remove adhesive backing. Align and position grille on top of unit so that the face of the grille and the face of the door are flush. Firmly press the grille assembly down so the adhesive adheres to the cabinet.



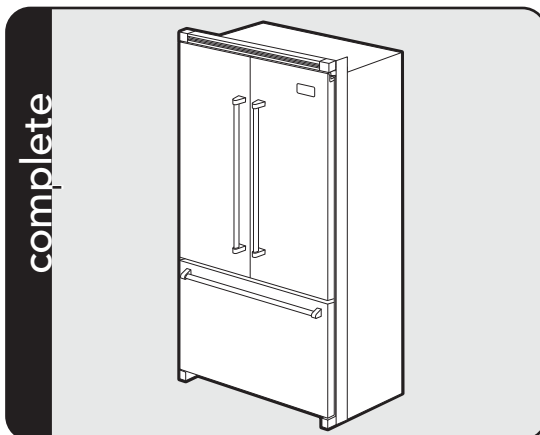
Raise the unit up until the measurement from the floor to the top of the grille assembly is 71-7/8 inches.



Shim trim has adhesive backing on both sides. Remove adhesive backing on refrigerator side only. Fit the shim trim to the front of the unit first. With center hinge, the shim trim will have a cutout. Use the cutout to locate the height of the shim trim.



Remove adhesive backing for the side trim. Locate the top of the side trim with the top of the grille assembly. Press the side trim into the refrigerator cabinet at the center location.



Specifications

Freestanding Refrigerators	
Description	RVRF336
Overall height with grille	71-7/8" (18.6 cm)
Cutout height with grille	72" (182.9 cm)

Viking Range, LLC
111 Front Street
Greenwood, Mississippi 38930 USA
(662) 455-1200

For product information,
call 1-888-(845-4641)
or visit our web site at vikingrange.com in the US
or brigade.ca in Canada