



INDOOR & OUTDOOR REFRIGERATORS with DRAWERS
RÉFRIGÉRATEURS INTÉRIEURS et EXTÉRIEURS avec TIROIRS

Models*/Modèles*:

SP6DS Series/série

- | | |
|--------------------|-----------------|
| SP6DS2D7 | SP6DS7 |
| SP6DS2DOS7 | SP6DSOS7 |
| SP6DS2DSSTB7 | SP6DSSTB7 |
| SP6DS2DSSTBOS7 | SP6DSSTBOS7 |
| SP6DS2DSSTB7THIN | SP6DSSTB7THIN |
| SP6DS2DSSTBOS7THIN | SP6DSSTBOS7THIN |

* Model numbers may include “ADA”, meaning the height of the unit is restricted to 32”.
* Les numéros de modèles peuvent inclure «ADA», ce qui signifie que la hauteur de l'appareil est limitée à 32 ”.



Owner's Manual / Manuel d'utilisation

BEFORE USE, PLEASE READ AND FOLLOW ALL SAFETY RULES AND OPERATING INSTRUCTIONS.
AVANT UTILISATION, S'IL VOUS PLAÎT LIRE ET SUIVRE LES RÈGLES DE SÉCURITÉ ET MODE D'EMPLOI.

Write Model & Serial Nos. (on back of unit) here:
*Écrire numéros de modèle et série
(à l'arrière de l'appareil) ici:*

Felix Storch, Inc.
770 Garrison Avenue
Bronx, NY 10474
www.summitappliance.com

TABLE OF CONTENTS

Appliance Safety	3
Important Safeguards	3 - 4
Installation Instructions	5 - 6
Before Using Your Appliance	5
Installation of Your Appliance	5
Anti-Tip Bracket	5
Electrical Connection	6
Extension Cord	6
Operating Your Appliance	7
Setting the Temperature Control	
Drawers	
Care and Maintenance	8
Cleaning Your Appliance	
Power Failure	
Vacation Time	
Moving Your Appliance	
Energy Saving Tips	
Defrost	
Troubleshooting	9
Limited Warranty	10

APPLIANCE SAFETY

Your safety and the safety of others are very important.

We have provided many important safety messages in this manual and on your appliance. Always read and obey all safety messages.



This is the Safety Alert Symbol. The symbol alerts you to potential hazards that can kill or injure you and others. All safety messages will follow the Safety Alert Symbol and either the words **DANGER** or **WARNING**.



DANGER means that failure to heed this safety statement may result in severe personal injury or death.



WARNING means that failure to heed this safety statement may result in extensive product damage, serious personal injury, or death.

All safety messages will alert you about the potential hazard, tell you how to reduce the chance of injury, and let you know what can happen if the instructions are not followed.

IMPORTANT SAFEGUARDS



Before the appliance is used, it must be properly positioned and installed as described in this manual, so read the manual carefully. To reduce the risk of fire, electrical shock or injury when using the appliance, follow basic precautions, including the following:



- Plug into a grounded 3-prong outlet, do not remove grounding prong, do not use an adapter, and do not use an extension cord.
- Replace all panels before operating.
- It is recommended that a separate circuit serving only your appliance be provided. Use receptacles that cannot be turned off by a switch or pull chain.
- Never clean appliance parts with flammable fluids. These fumes can create a fire hazard or explosion. And do not store or use gasoline or other flammable vapors and liquids in the vicinity of this or any other appliance. The fumes can create a fire hazard or explosion.
- Before proceeding with cleaning and maintenance operations, make sure the power line of the unit is disconnected.
- Do not connect or disconnect the electric plug when your hands are wet.
- Unplug the appliance or disconnect power before cleaning or servicing. Failure to do so can result in electrical shock or death.

- Do not attempt to repair or replace any part of your appliance unless it is specifically recommended in this manual. All other servicing should be referred to a qualified technician.

WARNING

FOLLOW WARNING CALLOUTS BELOW ONLY WHEN APPLICABLE TO YOUR MODEL

- Use two or more people to move and install appliance. Failure to do so can result in back or other injury.
- To ensure proper ventilation for your appliance, the front of the unit must be completely unobstructed. Choose a well-ventilated area with temperatures above 44°F (7°C) and below 106°F (41°C).
- The appliance should not be located next to ovens, grills or other sources of high heat.
- The appliance must be installed with all electrical, water and drain connections in accordance with state and local codes. A standard electrical supply (115 V AC only, 60 Hz), properly grounded in accordance with the National Electrical Code and local codes and ordinances, is required.
- Do not kink or pinch the power supply cord of the appliance.
- The size of the fuse (or circuit breaker) should be 15 amperes.
- It is important that the appliance be leveled in order to work properly. You may need to make several adjustments to level it.
- All installations must be in accordance with local plumbing code requirements.
- Make certain that the pipes are not pinched, kinked or damaged during installation.
- Check for leaks after connection.
- Never allow children to operate, play with or crawl inside the appliance.
- Do not use solvent-based cleaning agents or abrasives on the interior. These cleaners may damage or discolor the interior.
- Use this appliance only for its intended purpose as described in this *Owner's Manual*.

DANGER

Risk of child entrapment!

Child entrapment and suffocation are not problems of the past. Junked or abandoned appliances are still dangerous, even if they will “just sit in the garage a few days”.

- **Before you throw away your old refrigerator:** Take off the doors. Leave the shelves in place so that children may not easily climb inside.
- Never allow children to operate, play with, or crawl inside the refrigerator.

- SAVE THESE INSTRUCTIONS -

INSTALLATION INSTRUCTIONS

NOTE: Refrigerators whose model numbers contain "OS" in their suffix can be used in outdoor settings. They have special insulation and a weather-resistant stainless steel body wrap. Also, a GFCI (Ground Fault Circuit Interrupter) is built into the line cord. In the event the refrigerator is not operating, first check to see if the GFCI has tripped. If so, press the RESET button.

BEFORE USING YOUR APPLIANCE

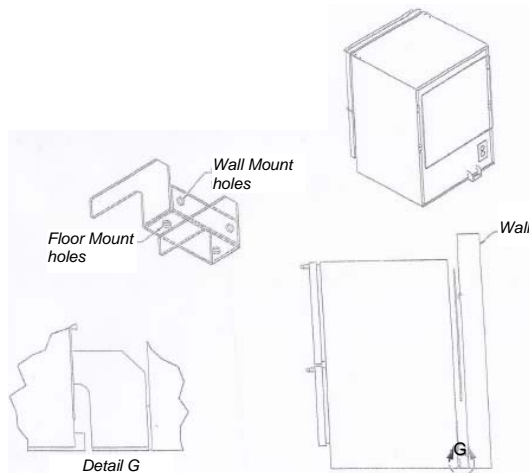
- Remove the exterior and interior packing.
- Before connecting the appliance to the power source, let it stand upright for approximately 2 hours. This will reduce the possibility of a malfunction in the cooling system from handling during transportation.
- Clean the interior surface with lukewarm water using a soft cloth.

INSTALLATION OF YOUR APPLIANCE

- The appliance is designed for built-in or recessed or free standing installation for indoor or outdoor use.
- **CAUTION:** This appliance is not designed for the storage of medicine or other medical products.
- Place your appliance on a floor that is strong enough to support it when it is fully loaded. To level the unit, adjust the front leveling legs.
- For free standing installation, 5 inches (127mm) of space between the back and sides of the unit and 4" at the top are suggested, which allows the proper air circulation to cool the compressor and condenser. Even for built-in installation, it is a must to keep ¼" (6.35mm) space on each side and at the top, as well as 2" at the back. Take care that the air vent at the front of the appliance is never covered or blocked in any way.
- **NOTE:** It is recommended that you do not install the appliance near an oven, radiator or other heating source. Direct sunlight may affect the acrylic coating and heat sources may increase electrical consumption. Don't install in a location where the temperature will fall below 44°F (7°C). For best performance, do not install the appliance behind a cabinet door or block the base grille.
- Avoid locating the unit in moist areas.
- Plug the appliance into an exclusive, properly grounded wall outlet. Do not under any circumstances cut or remove the third (ground) prong from the power cord. Any questions concerning power and/or grounding should be directed toward a certified electrician or an authorized service center.

ANTI-TIP BRACKET

Your refrigerator is supplied with an anti-tip bracket that should be installed at the back of the unit to prevent the refrigerator from tipping forward accidentally. Mount the bracket to either the floor or the wall, depending on the height of the unit off the floor. Secure the bracket with fasteners (not included) to a suitable foundation, either wood studs or joists. **DO NOT SCREW INTO SHEETROCK!**



ELECTRICAL CONNECTION



WARNING

Improper use of the grounded plug can result in the risk of electrical shock. If the power cord is damaged, have it replaced by a qualified electrician or an authorized service center.

This appliance should be properly grounded for your safety. The power cord of this appliance is equipped with a three-prong plug which mates with standard three-prong wall outlets to minimize the possibility of electrical shock.

Do not under any circumstances cut or remove the third (ground) prong from the power cord supplied. For personal safety, this appliance must be properly grounded.

This appliance requires a standard 115/120 Volt AC ~ 60Hz three-prong grounded electrical outlet. Have the wall outlet and circuit checked by a qualified electrician to make sure the outlet is properly grounded. When a standard 2-prong wall outlet is encountered, it is your responsibility and obligation to have it replaced with a properly grounded 3-prong wall outlet.

To prevent accidental injury, the cord should be secured behind the appliance and not left exposed or dangling.

The appliance should always be plugged into its own individual electrical outlet which has a voltage rating that matches the rating label on the appliance. This provides the best performance and also prevents overloading house wiring circuits that could cause a fire hazard from overheating. Never unplug the appliance by pulling on the power cord. Always grip the plug firmly and pull straight out from the receptacle. Repair or replace immediately all power cords that have become frayed or otherwise damaged. Do not use a cord that shows cracks or abrasion damage along its length or at either end. When moving the appliance, be careful not to damage the power cord.

EXTENSION CORD

Because of potential safety hazards under certain conditions, it is strongly recommended that you do not use an extension cord with this appliance. However, if you must use an extension cord it is absolutely necessary that it be a UL/CUL-Listed, 3-wire grounding type appliance extension cord having a grounding type plug and outlet and that the electrical rating of the cord be 115 volts and at least 10 amperes.

OPERATING YOUR APPLIANCE

It is recommended that you install the appliance in a place where the ambient temperature is between 44° and 90°F (7° to 32°C). If the ambient temperature is above or below the recommended temperatures, the performance of the unit may be affected. For example, placing your unit in extremely cold or hot conditions may cause interior temperatures to fluctuate.

Notes:

- If the unit is unplugged, or power is lost or turned off, you must wait 3 to 5 minutes before restarting the unit. If you attempt to restart before this time delay, the unit will not start.

SETTING THE TEMPERATURE CONTROL

- The refrigerator is controlled with a thermostat knob located inside the unit, on the upper portion of the right-hand corner. Turn the knob clockwise from the **STOP (0)** position toward the higher numbers for colder temperatures.
- **Temperature Control:** Higher settings on the knob (higher numbers) mean lower temperatures (colder) in all compartments of the appliance. At the coldest settings, temperatures in some spots of the interior of the appliance may even drop below 32°F. Use higher thermostat settings only when required or recommended. When the ambient temperature is normal, we recommend the medium setting.
- Changes in the ambient temperature affect temperature in the interior of the appliance so keep this in mind when choosing the setting of the thermostat knob.
- In the **STOP (0)** position the appliance does not operate (the cooling system is switched off), yet power supply is not interrupted.
- The temperature in the refrigerator compartment also depends on how often you open the drawer.
- In all small refrigerators without interior fans, temperatures are coldest near the bottom, and occasionally near the rear. Place contents accordingly. It is best not to operate these units mostly empty. If temperatures are erratic, try putting some water bottles inside to create a load for the compressor.

DRAWERS

Removal / Replacing of the Drawers

To remove the drawers from the refrigerator, these directions need to be followed:

1. Pull the drawer out towards you completely.
2. On both sides of the drawer there are stainless steel slides.
3. On each slide there is a black lever.
4. The left lever should be pulled up.
5. The right lever should be pulled down. Both levers should be pulled at the same time while continuing to pull the drawer.

To re-install the drawers on the appliance:

Simply line up the hinges on the drawer and the hinges on the appliance and gently push the drawer in. Once lined up, close the drawer completely, then open again to make sure the drawer is on track.

CARE AND MAINTENANCE

CLEANING YOUR APPLIANCE

- Turn off the power, unplug the appliance, and remove all items, including drawers.
- Wash the cabinet and drawer surfaces with warm water and mild liquid detergent. Rinse well and wipe dry with a clean soft cloth. Alternately, use an approved stainless steel cleaner to clean the drawers, handle and cabinet. Do not use steel wool or a steel brush on the stainless steel.
- Wring excess water out of the sponge or cloth when cleaning the area where the controls are located, or any electrical parts.

CAUTION:

Failure to unplug the appliance during cleaning could result in electrical shock or other personal injury.

POWER FAILURE

Most power failures are corrected within a few hours and should not affect the temperature of your appliance if you minimize the number of times the drawers are opened. If the power is going to be off for a longer period of time, you need to take the proper steps to protect the contents.

VACATION TIME

- **Short vacations:** Leave the appliance operating during vacations of less than three weeks.
- **Long vacations:** If the appliance will not be used for several months, remove all items and turn off the appliance. Clean and dry the interior thoroughly. To prevent odor and mold growth, leave the drawers open slightly, blocking them open if necessary.

MOVING YOUR APPLIANCE

1. Remove all stored contents.
2. Securely tape down all loose items inside your appliance.
3. Turn the adjustable legs up to the base to avoid damage.
4. Tape the drawers shut.
5. Be sure the appliance stays secure in the upright position during transportation. Also, protect the outside of the appliance with a blanket or similar item.

ENERGY SAVING TIPS

- The appliance should be located in the coolest area of the room or outdoor location, away from heat-producing appliances and out of direct sunlight.
- Ensure that the unit is adequately ventilated. Never cover air vents.
- Do not keep the drawers open any longer than necessary.
- Let hot foods cool to room temperature before placing in the unit. Overloading the unit forces the compressor to run longer.
- Be sure to wrap foods properly, and wipe containers dry before placing them in the unit. This cuts down on frost build-up inside the unit.
- Unit drawers and storage bins should not be lined with aluminum foil, wax paper, or paper toweling. Liners interfere with cold air circulation, making the unit less efficient.
- Organize and label food to reduce drawer openings and extended searches. Remove as many items as needed at one time, and close the drawer as soon as possible.

DEFROST

Defrosting takes place automatically.

TROUBLESHOOTING

You can solve many common problems easily, saving you the cost of a possible service call. Try the suggestions below to see if you can solve the problem before calling a service technician.

PROBLEM	POSSIBLE CAUSE
The unit does not operate.	Not plugged in. The appliance is turned off. Tripped circuit breaker or blown fuse.
The unit is not cold enough.	Check the temperature control setting. External environment may require a higher setting. The drawers are opened too often. The drawers are not closed completely. The drawer gaskets do not seal properly.
Turns on and off frequently.	The ambient temperature is warmer than normal. A large amount of contents has been added to the unit. The drawers are opened too often. The drawers are not closed completely. The temperature control is not set correctly. The drawer gaskets do not seal properly.
Vibrations	Check to be sure the appliance is level.
The unit seems to make too much noise.	A rattling noise may come from the flow of the refrigerant, which is normal. As each cycle ends, you may hear gurgling sounds caused by the flow of refrigerant in your unit. Contraction and expansion of the inside walls may cause popping and crackling noises. The appliance is not level.
The drawer will not close properly.	The appliance is not level. The gasket is dirty. The drawer is not installed correctly.

If you've checked the table above and find that you still need help with your appliance, call our Customer Service facility at **800-932-4267** between 9:00AM and 5:00PM ET. We will do our best to answer your questions.

LIMITED WARRANTY

ONE-YEAR LIMITED WARRANTY

Within the 48 contiguous United States, for one year from the date of purchase, when this appliance is operated and maintained according to instructions attached to or furnished with the product, warrantor will pay for factory-specified parts and repair labor to correct defects in materials or workmanship. Service must be provided by a designated service company. Outside the 48 states, all parts are warranted for one year from manufacturing defects. Plastic parts, drawers and cabinets are warranted to be manufactured to commercially acceptable standards, and are not covered from damage during handling or breakage.

5-YEAR COMPRESSOR WARRANTY

1. The compressor is covered for 5 years.
2. Replacement does not include labor.

ITEMS WARRANTOR WILL NOT PAY FOR:

1. Service calls to correct the installation of your appliance, to instruct you how to use your appliance, to replace or repair fuses or to correct wiring or plumbing.
2. Service calls to repair or replace appliance broken drawers. Consumable parts (such as filters) are excluded from warranty coverage.
3. Damage resulting from accident, alteration, misuse, abuse, fire, flood, acts of God, improper installation, installation not in accordance with electrical or plumbing codes, or use of products not approved by warrantor.
4. Replacement parts or repair labor costs for units operated outside the United States.
5. Repairs to parts or systems resulting from unauthorized modifications made to the appliance.
6. Expenses for travel and transportation for product service in remote locations.
7. The removal and reinstallation of your appliance if it is installed in an inaccessible location or is not installed in accordance with published installation instructions.

DISCLAIMER OF IMPLIED WARRANTIES; LIMITATION OF REMEDIES

CUSTOMER'S SOLE AND EXCLUSIVE REMEDY UNDER THIS LIMITED WARRANTY SHALL BE PRODUCT REPAIR AS PROVIDED HEREIN. IMPLIED WARRANTIES, INCLUDING WARRANTIES OF MERCHANTABILITY OR FITNESS FOR A PARTICULAR PURPOSE, ARE LIMITED TO ONE YEAR. WARRANTOR SHALL NOT BE LIABLE FOR INCIDENTAL OR CONSEQUENTIAL DAMAGES. SOME STATES DO NOT ALLOW THE EXCLUSION OR LIMITATION OF INCIDENTAL OR CONSEQUENTIAL DAMAGES, OR LIMITATIONS ON THE DURATION OF IMPLIED WARRANTIES OF MERCHANTABILITY OR FITNESS, SO THESE EXCLUSIONS OR LIMITATIONS MAY NOT APPLY TO YOU. THIS WARRANTY GIVES YOU SPECIFIC LEGAL RIGHTS AND YOU MAY ALSO HAVE OTHER RIGHTS, WHICH VARY FROM STATE TO STATE.

WARNING! This product may contain chemicals known to the state of California to cause cancer or birth defects or other reproductive harm. For more information, visit: www.summitappliance.com/prop65

Chemicals known by the manufacturer to be present in this product in concentrations higher than threshold limits: NONE.

FELIX STORCH, INC.
770 Garrison Avenue
Bronx, NY 10474
Phone: (718) 893-3900
Fax: (844) 478-8799
www.summitappliance.com



For parts and accessory ordering,
troubleshooting and helpful hints, visit:
www.summitapplianceparts.com

TABLE DES MATIÈRES

Mises en garde importantes	12 - 13
Emplacements des pièces	14
Instructions pour l'installation	14 - 15
Avant d'utiliser votre appareil	14
Installation de votre appareil	14
Équerre antibasculant	14 - 15
Raccordement électrique	15
Rallonge	15
Utilisation de votre appareil	16
Régler le contrôle de température	
Des tiroirs	
Entretien et maintenance	17
Nettoyage de votre appareil	
Panne de courant	
Périodes de vacances	
Déplacement de votre appareil	
Conseils d'économie d'énergie	
Dégivrage	
Dépannage	18
Garantie limitée	20

CONSIGNES DE SÉCURITÉ

Votre sécurité et celle des autres est très importante.



Nous avons fourni de nombreux messages de sécurité importants sur votre appareil dans ce manuel. Toujours lire et respecter les consignes de sécurité.

 **DANGER** 

DANGER est le symbole d'alerte de sécurité. Ce symbole vous signale les dangers potentiels qui pourraient tuer ou blesser vous et les autres. Tous les messages de sécurité suivront le symbole d'alerte de sécurité, soit après le mot "DANGER" ou "AVERTISSEMENT".

 **AVERTISSEMENT**

Le symbole AVERTISSEMENT signifie que le non-respect de ce message de sécurité peut entraîner des dommages importants au produit, des blessures graves ou la mort.

Tous les messages de sécurité vous alertent au danger potentiel et vous expliquent comment réduire le risque de blessure et les conséquences qui peuvent se produire si les instructions ne sont pas suivies.

MISES EN GARDE IMPORTANTES



Avant d'utiliser l'appareil, il doit être positionné correctement et installé comme décrit dans ce manuel. Lisez le manuel attentivement. Pour réduire le risque d'incendie, de choc électrique ou de blessure lors de l'utilisation de l'appareil, suivez les précautions de base, y compris ce qui suit:

 **DANGER** 

- Branchez sur une prise à 3 broches de sortie, ne retirez pas la broche de terre, ne pas utiliser un adaptateur, et ne pas utiliser une rallonge.
- Remplacez tous les panneaux avant de faire fonctionner l'appareil.
- Il est recommandé d'utiliser un circuit distinct afin d'alimenter votre appareil uniquement. Utilisez des réceptacles qui ne peuvent pas être désactivés par un interrupteur ou une chaîne de traction.
- Ne jamais nettoyer des pièces d'appareils avec des liquides inflammables. Les émanations peuvent provoquer un incendie ou une explosion. Ne pas stocker ni utiliser d'essence ou autres vapeurs et liquides inflammables à proximité de cet appareil ou de tout autre. Les vapeurs peuvent créer un risque d'incendie ou d'explosion.
- Avant de procéder à des opérations de nettoyage et d'entretien, assurez-vous que la ligne d'alimentation de l'appareil soit débranchée.
- Ne pas brancher ou débrancher la prise électrique lorsque vos mains sont mouillées.
- Débranchez l'appareil ou coupez le courant avant de le nettoyer ou de le réparer. Le non-respect de cette consigne peut entraîner un choc électrique ou la mort.

- Ne tentez pas de réparer ou de remplacer une partie quelconque de votre appareil à moins qu'il ne soit spécifiquement recommandé de le faire dans ce manuel. Toute autre réparation doit être confiée à un technicien qualifié.



AVERTISSEMENT

Suivez la légende des consignes d' AVERTISSEMENT ci-dessous lorsque applicables à votre modèle.

- Il est important qu'au moins deux personnes déplacent et installent l'appareil. Le non-respect de cette consigne peut entraîner des blessures au dos ou autres lésions.
- Pour assurer une bonne ventilation de votre appareil, le devant de l'unité doit être complètement dégagé. Choisissez un endroit bien aéré, avec des températures supérieures à 60°F (16°C) et au-dessous de 90°F (32°C). Cet appareil doit être installé dans une zone protégée contre les éléments, comme le vent, la pluie, les éclaboussures et les gouttes d'eau.
- L'appareil ne doit pas être situé à proximité de fours, grilles chauffantes ou d'autres sources de chaleur élevée.
- L'appareil doit être installé avec toutes les connexions électriques, d'eau et de vidange conformément aux codes nationaux et locaux. Une alimentation électrique standard (115 V CA seulement, 60 Hz), correctement mise à terre en conformité avec le National Electrical Code et les codes et ordonnances locaux, est requise.
- Ne pas plier ou pincer le cordon d'alimentation de l'appareil.
- L'intensité du fusible (ou disjoncteur) doit être de 15 ampères.
- Il est important que l'appareil soit mis à niveau afin de fonctionner correctement. Vous devrez peut-être faire plusieurs ajustements pour y arriver.
- Toutes les installations doivent être conformes aux exigences du code de plomberie local.
- Assurez-vous que les tuyaux ne soient pas pincés, noués ou endommagés lors de l'installation.
- Vérifier les fuites après la connexion.
- Ne jamais laisser les enfants utiliser, jouer ou ramper à l'intérieur de l'appareil.
- Ne pas utiliser de produits nettoyants à base de solvants ou de produits abrasifs à l'intérieur. Ces produits peuvent endommager ou décolorer l'intérieur.
- Utilisez cet appareil uniquement pour son usage, tel que décrit dans ce *Manuel d'emploi*.
- Gardez les doigts hors des zones de "pinçage". Le dégagement entre les tiroirs et le placard est toujours étroit. Surveillez la fermeture des tiroirs soigneusement lorsque les enfants se trouvent dans les alentours.

DANGER!

Risque d'emprisonnement pour les enfants!

Des enfants pris au piège et suffoqués n'est pas un scénario du passé. Les appareils jetés ou abandonnés sont encore dangereux, même si ils sont "simplement entreposés dans le garage pendant quelques jours".

Avant de jeter votre vieux réfrigérateur:

- *Enlever les portes*
- *Laissez les étagères en place afin que les enfants ne peuvent pas y pénétrer facilement.*

- CONSERVER CES INSTRUCTIONS -

INSTRUCTIONS POUR L'INSTALLATION

REMARQUE: Les réfrigérateurs dont les numéros du modèle contiennent "OS" dans leur suffixe peuvent être utilisés dans des environnements de plein air. Ils bénéficient d'une isolation spéciale et d'un enveloppement en acier inoxydable résistant aux intempéries. En outre, un GFCI (disjoncteur différentiel) est intégré dans le cordon. Dans le cas où le réfrigérateur ne fonctionne pas, vérifiez d'abord pour voir si le disjoncteur s'est déclenché. Si c'est le cas, appuyez sur le bouton RESET.

AVANT D'UTILISER VOTRE APPAREIL

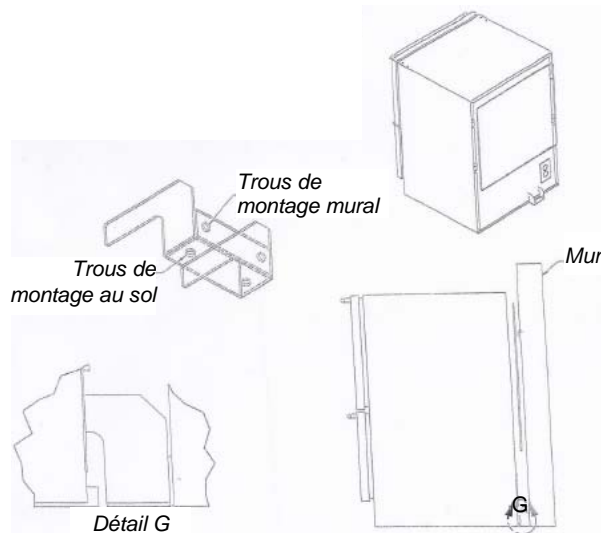
- Retirez le emballage extérieur et intérieur.
- Avant de raccorder l'appareil à la source d'alimentation, le laisser en position verticale pendant environ 2 heures. Cela permettra de réduire la possibilité d'un dysfonctionnement dans le système de refroidissement en raison de la manipulation pendant le transport.
- Nettoyer la surface intérieure avec de l'eau tiède avec un chiffon doux.

INSTALLATION DE VOTRE APPAREIL

- L'appareil est conçu pour être intégré ou encastré ou installé de façon autonome pour une utilisation intérieure ou extérieure.
- **ATTENTION:** Cet appareil n'est pas conçu pour le stockage de médicaments ou d'autres produits médicaux.
- Placez votre appareil sur un sol qui est assez solide pour supporter quand il est complètement chargé. Pour mettre à niveau l'appareil, réglez les pieds de nivellement avant.
- Pour installations amovibles, 5 pouces (127mm) d'espace entre l'arrière et les côtés de l'appareil et 4" au sommet sont proposés, ce qui permet la circulation de l'air pour refroidir le compresseur et le condenseur. Même pour une installation encastrée, il est essentiel pour conserver ¼ " (6,35mm) de chaque côté et au sommet, ainsi que 2" (51mm) à l'arrière. Veillez à ce que la prise d'air à l'avant de l'appareil n'est jamais couverte ou bloquée en aucune façon.
- REMARQUE: Il est recommandé de ne pas installer l'appareil près d'un four, radiateur ou autre source de chauffage. La lumière directe du soleil peut affecter le revêtement et des sources de chaleur peut augmenter la consommation électrique. Ne pas installer dans un endroit où la température baissera au-dessous de 44°F (7°C). Pour la performance optimale, n'installer pas l'appareil derrière une porte d'armoire ni bloquer la grille de la base.
- Évitez de placer l'appareil dans des endroits humides.
- Branchez l'appareil sur une prise murale de terre murale exclusive. Ne pas en aucun cas couper ou enlever la troisième broche (terre) du cordon d'alimentation. Toute question concernant le pouvoir et / ou de mise à la terre doit être adressée à un électricien certifié ou à un centre de service agréé.

ÉQUERRE ANTIBASCULEMENT

Votre réfrigérateur est fourni avec une équerre anti-renversement qui doit être installée à l'arrière de l'appareil pour éviter que le réfrigérateur se renverse accidentellement. Monter le support soit au sol ou au mur, en fonction de la hauteur de l'appareil sur le sol. Fixez le support à l'aide des éléments de fixation (non inclus) à une fondation appropriée, soit des montants de bois ou les solives. **NE PAS VISSER DANS SHEETROCK!** Voir les illustrations à la page suivante.



RACCORDEMENT ÉLECTRIQUE



AVERTISSEMENT

Une utilisation incorrecte de la prise de terre peut entraîner un risque de choc électrique. Si le cordon d'alimentation est endommagé, le faire remplacer par un électricien qualifié ou un centre de service agréé.

Cet appareil doit être correctement mis à la terre pour votre sécurité. Le cordon d'alimentation de cet appareil est équipé d'une fiche à trois broches qui s'accouple avec des prises murales normalisées à trois broches pour minimiser le risque de choc électrique.

Ne pas en aucun cas couper ou enlever la troisième broche (terre) du cordon d'alimentation fourni. Pour votre sécurité, cet appareil doit être correctement mis à la terre.

Cet appareil nécessite une tension de 115/120 AC ~ 60Hz avec une prise électrique standard à la terre à trois broches. Faites vérifier la prise murale et le circuit par un électricien qualifié pour s'assurer que la prise est correctement mise à la terre. Quand une prise murale standard à 2 broches est rencontrée, il est votre responsabilité et obligation de la faire remplacer par une prise à 3 broches mise à la terre.

Pour éviter toute blessure accidentelle, le câble doit être fixé derrière l'appareil et ne pas être exposé ni ballant.

L'appareil doit toujours être branché dans sa propre prise de courant, dont la tension nominale correspond à l'étiquette apposée sur l'appareil. Cette offre la meilleure performance et évite une surcharge des circuits électriques qui pourrait provoquer un risque d'incendie par surchauffe. Ne jamais débrancher l'appareil en tirant sur le cordon d'alimentation. Toujours saisir fermement la fiche et retirez-la de la prise. Réparez ou remplacez immédiatement tous les cordons d'alimentation qui sont devenus usés ou endommagés. Ne pas utiliser un cordon qui présente des fissures ou une usure sur sa longueur ou à chaque extrémité. Lorsque vous déplacez l'appareil, veillez à ne pas endommager le cordon d'alimentation.

RALLONGE

En raison des risques potentiels dans certaines conditions, il est fortement recommandé que vous n'utilisez pas de rallonge avec cet appareil. Toutefois, si vous devez utiliser une rallonge, il est absolument nécessaire que ce soit une rallonge d'appareil approuvée de UL / CUL, de type 3 fils mise à la terre ayant une fiche et une sortie de mise à la terre et que les caractéristiques électriques du cordon soient de 115 volts et au moins 10 ampères.

UTILISATION DE VOTRE APPAREIL

Il est recommandé d'installer l'appareil dans un endroit où la température ambiante se situe entre 44° et 90°F (7° - 32°C). Si la température ambiante est au-dessus ou au-dessous les températures recommandées, la performance de l'appareil peut être affectée. Par exemple, en plaçant l'appareil dans des conditions extrêmement froides ou chaudes peut entraîner des températures intérieures qui fluctuent.

Remarques:

- Si l'appareil est débranché ou la puissance est perdue ou hors tension, vous devez attendre 3 à 5 minutes avant de redémarrer l'appareil. Si vous essayez de redémarrer avant cette temporisation, l'unité ne démarre pas.

RÉGLER LE CONTRÔLE DE TEMPÉRATURE

- Le réfrigérateur est contrôlé avec un thermostat situé à l'intérieur de l'appareil, sur la partie supérieure du coin droit. Tournez le bouton vers la droite à partir de la position d'arrêt (**0**) vers les chiffres plus élevés pour les températures plus froides.
- **Contrôle de la température:** Les positions élevées sur le bouton (un plus grand nombre) indiquent des températures inférieures (plus froides) dans tous les compartiments de l'appareil. Avec les réglages les plus froids, les températures dans certains endroits de l'intérieur de l'appareil peuvent même descendre en dessous de 32°F. Utiliser les réglages du thermostat plus élevés seulement lorsque ceux sont nécessaires ou recommandés. Lorsque la température ambiante est normale, nous vous recommandons le réglage moyen.
- Les changements dans la température ambiante affectent la température à l'intérieur de l'appareil, donc gardez cela à l'esprit lorsque vous choisissez le réglage du thermostat.
- En la position d'arrêt (**0**) l'appareil ne fonctionne pas (le système de refroidissement est éteint), mais l'alimentation n'est pas interrompue.
- La température dans le réfrigérateur dépend aussi de combien de fois que vous ouvrez la porte.
- Dans tous les petits réfrigérateurs sans ventilateurs intérieurs, les températures sont plus froides près du fond, et parfois près de l'arrière. Placer le contenu en conséquence. Il est préférable de ne pas utiliser ces unités presque vides. Si les températures sont erratiques, essayez de mettre quelques bouteilles d'eau à l'intérieur pour créer une charge pour le compresseur.

DES TIROIRS

Retrait / remplacement des tiroirs

Pour retirer les tiroirs du réfrigérateur, ces indications doivent être suivies:

1. Tirez le tiroir vers vous complètement.
2. Sur les deux côtés du tiroir il y a glissières en inox.
3. Sur chaque glissière, il y a un levier noir.
4. Le levier gauche doit être tiré vers le haut.
5. Le levier droit doit être tiré vers le bas. Deux leviers doivent être tirés en même temps tout en continuant à tirer le tiroir.

Pour réinstaller les tiroirs de l'appareil:

Il suffit aligner les charnières sur le tiroir et les charnières de l'appareil et poussez doucement le tiroir. Une fois aligné, fermez complètement le tiroir, puis ouvrez à nouveau pour s'assurer que le tiroir est sur la bonne voie.

ENTRETIEN ET MAINTENANCE

NETTOYAGE DE VOTRE APPAREIL

- Coupez l'alimentation, débranchez l'appareil, et enlevez tous les articles, y compris les tiroirs.
- Lavez toutes les surfaces de l'armoire et des tiroirs avec de l'eau chaude et du détergent liquide doux. Rincez bien et séchez avec un chiffon doux et propre.
- Alternativement, utilisez un nettoyant pour acier inoxydable approuvé pour nettoyer la poignée, l'armoire et les tiroirs. Ne pas utiliser de laine d'acier ou une brosse en acier sur l'acier inoxydable.
- Essorez l'éponge ou un chiffon pour nettoyer la zone où les contrôles sont situés, ou des pièces électriques.

ATTENTION: Ne pas débrancher l'appareil avant le nettoyage pourrait entraîner un choc électrique ou d'autres blessures.

PANNE DE COURANT

La plupart des coupures de courant sont corrigées en quelques heures et ne devraient pas affecter la température de votre appareil si vous réduisez le nombre de fois où les tiroirs sont ouverts. Si l'alimentation va être coupée pour une plus longue période de temps, vous devez prendre les mesures appropriées pour protéger le contenu.

PÉRIODES DE VACANCES

- **Vacances de courte durée:** Laisser l'appareil fonctionner pendant des congés de moins de trois semaines.
- **Vacances longues:** Si l'appareil ne sera pas utilisé pendant plusieurs mois, enlever tous les articles et éteindre l'appareil. Nettoyez et séchez soigneusement l'intérieur. Pour éviter les odeurs et la croissance des moisissures, laissez les tiroirs entrouverts et bloquez-les ouverts si nécessaire.

DÉPLACEMENT DE VOTRE APPAREIL

1. Retirez tous les articles.
2. Fixez solidement toutes les pièces libres à l'intérieur de votre appareil et recollez les tiroirs avec du scotch®.
3. Tourner les pieds réglables à la base pour éviter tout dommage.
4. Assurez-vous que l'appareil reste bloqué en position verticale pendant le transport. Protégez également l'extérieur de l'appareil avec une couverture ou un objet similaire.

CONSEILS D'ÉCONOMIE D'ÉNERGIE

- L'appareil doit être situé dans le quartier le plus frais de la salle ou de l'emplacement en plein air, loin des appareils qui produisent de la chaleur et des rayons du soleil.
- Assurez-vous que l'unité est correctement ventilée. Ne jamais couvrir les bouches d'aération.
- Ne laissez pas les tiroirs ouverts plus longtemps que nécessaire.
- Laissez les aliments chauds refroidir à température ambiante avant de les placer dans l'appareil. Surcharge de l'appareil oblige que le compresseur fonctionne plus longtemps.
- Assurez-vous de bien emballer les aliments et essuyer les contenants avant de les placer dans l'appareil. Cela permet de réduire le givre à l'intérieur de l'appareil.
- Tiroirs et bacs de stockage ne doivent pas être recouverts de papier aluminium, de papier ciré ou de papier absorbant. Ces revêtements entravent la circulation de l'air froid, ce qui rend l'appareil moins performant.
- Organiser et étiqueter les aliments pour réduire les ouvertures des tiroirs et les recherches prolongées. Retirez autant d'articles comme nécessaire à un moment donné, et fermez les tiroirs dès que possible.

DÉGIVRAGE

Le dégivrage s'effectue automatiquement.

DÉPANNAGE

Vous pouvez résoudre de nombreux problèmes communs facilement, que vous épargne le coût d'un appel de service possible. Essayez les suggestions ci-dessous pour voir si vous pouvez résoudre le problème avant d'appeler un technicien de service.

PROBLÈME	CAUSE POSSIBLE
L'unité ne fonctionne pas.	L'unité n'est pas branchée. L'appareil est éteint. Problème avec le disjoncteur ou fusible grillé.
L'unité n'est pas assez froid.	Vérifiez le réglage du contrôle de la température. Environnement extérieur nécessite un réglage plus élevé. Les tiroirs sont ouverts trop souvent. Les tiroirs ne sont pas complètement fermés. Les joints des tiroirs ne se referment pas correctement.
L'appareil s'allume et s'éteint fréquemment.	La température ambiante est plus chaude que la normale. Une grande quantité de contenu a été ajoutée. Les tiroirs sont ouverts trop souvent. Les tiroirs ne sont pas complètement fermés. Le contrôle de la température n'est pas réglé correctement. Les joints des tiroirs ne se referment pas correctement.
Vibrations	Vérifier pour s'assurer que l'appareil est de niveau.
L'unité semble faire beaucoup de bruit.	Le bruit de crécelle peut provenir l'écoulement de fluide frigorigène, ce qui est normal. Comme chaque cycle se termine, vous pouvez entendre glossements causés par le débit de réfrigérant dan l'unité. Contraction et dilatation des parois internes peuvent produire des claquements et craquements. L'appareil n'est pas à niveau.
Les tiroirs ne se ferment pas correctement.	L'appareil n'est pas à niveau. Les tiroirs ne sont pas correctement installés. Les joints sont sales.

Si vous avez vérifié le tableau ci-dessus et constatez que vous avez encore besoin d'aide avec votre appareil, appelez notre centre de service à la clientèle au 800-932-4267 09:00-à-17:00 HE. Nous ferons de notre mieux pour répondre à vos questions.

NOTES

GARANTIE LIMITÉE

UN AN DE GARANTIE LIMITÉE

Dans les 48 États américains contigus, pendant un an à partir de la date d'achat, lorsque cet appareil est utilisé et entretenu conformément aux instructions jointes à ou fournies avec le produit, le garant paiera pour les pièces spécifiées en usine et la main-d'œuvre pour corriger les vices de matériaux ou de fabrication. Le service doit être fourni par une compagnie de service désignée. En dehors des 48 États, toutes les pièces sont garanties pendant un an pour les défauts de fabrication. Les pièces en plastique, tiroirs et armoires sont garanties avoir été fabriquées conformément aux normes acceptées dans le commerce et ne sont pas couvertes contre les dommages pendant la manipulation ou la rupture.

GARANTIE DE 5 ANS DU COMPRESSEUR

1. Le compresseur est couvert pendant 5 ans.
2. Le remplacement n'inclut pas la main-d'œuvre.

LE GARANT NE SERA PAS DÉDOMMAGÉ POUR LES POINTS SUIVANTS:

1. Les appels de service pour rectifier l'installation de votre appareil, pour vous indiquer comment utiliser votre appareil, remplacer ou réparer des fusibles ou rectifier le câblage ou la plomberie.
2. Les appels de service pour réparer ou remplacer des tiroirs cassés. Les pièces consommables (tels que des filtres) sont exclues de la couverture de la garantie.
3. Les dommages résultant d'un accident, modification, usage impropre ou abusif, incendie, inondation, actes de Dieu, mauvaise installation, une installation non-conforme aux codes d'électricité ou de plomberie, ou l'utilisation de produits non approuvés par le garant.
4. Les pièces de rechange ou les frais de réparation pour les appareils utilisés hors des États-Unis.
5. Les réparations aux pièces ou systèmes résultant de modifications non autorisées apportées à l'appareil.
6. Les frais de déplacement et de transport pour le service produit dans des endroits hors des zones approuvées.
7. La livraison et la réinstallation de votre appareil s'il est installé dans un endroit inaccessible ou n'est pas installé conformément aux instructions d'installation.

EXCLUSION DE GARANTIES IMPLICITES - LIMITATION DES RECOURS

LE SEUL ET UNIQUE RECOURS DU CLIENT EN VERTU DE CETTE GARANTIE LIMITÉE EST LA RÉPARATION DU PRODUIT COMME PRÉSENTÉE. GARANTIE IMPLICITE, Y COMPRIS LES GARANTIES DE QUALITÉ MARCHANDE OU D'ADEQUATION À UN USAGE PARTICULIER, SONT LIMITÉES À UN AN. LE GARANT NE SERA PAS RESPONSABLE DES DOMMAGES DIRECTS OU INDIRECTS. CERTAINS ÉTATS NE PERMETTENT PAS L'EXCLUSION OU LA LIMITATION DES DOMMAGES DIRECTS OU INDIRECTS, OU LA LIMITATION DE LA DURÉE DES GARANTIES DE QUALITÉ MARCHANDE OU D'ADAPTATION, DE SORTE QUE CES EXCLUSIONS OU LIMITATIONS PEUVENT NE PAS VOUS TOUCHER. CETTE GARANTIE VOUS DONNE DES DROITS SPÉCIFIQUES ET VOUS POUVEZ AUSSI AVOIR D'AUTRES DROITS QUI PEUVENT VARIER D'UN ÉTAT À L'AUTRE.

ATTENTION! Ce produit peut contenir des produits chimiques reconnus par l'État de la Californie pour causer le cancer ou des défauts de naissance et d'autres dangers pour la reproduction. Pour plus d'informations, visitez le site: www.summitappliance.com/prop65

Produits chimiques reconnus par le fabricant qui sont présents dans ce produit en concentrations supérieures aux limites permises: AUCUNS.

FELIX STORCH, INC.
770 Garrison Avenue
Bronx, NY 10474
Téléphone: (718) 893-3900
Fax: (844) 478-8799
www.summitappliance.com

SUMMIT
COMMERCIAL

Pour les pièces et la commande d'accessoires, le dépannage et des conseils de service, visitez le site:
www.summitappliance.com/support