

CRISTAL SS UNDER CABINET RANGE HOOD



POWERFUL, PRACTICAL, EFFICIENT UNDER CABINET RANGE HOOD. For a streamlined look in the kitchen, the Cristal SS slide out hood is your integrated choice with a Stainless Steel pull-out visor which slides in, neatly tucking the hood away. For total integration, the front strip can be replaced with material to match your cabinets.



AVAILABLE MODELS

Model #	Size / Color	Motor Class (CFM)	Sound Levels (sones)
CRIS30SSH	30 SS	600	3.5 - 6.5
CRIS36SSH	36 SS	600	3.5 - 6.5
CRIS30SSH300	30 SS	300	2.0 - 5.0
CRIS36SSH300	36 SS	300	2.0 - 5.0

KEY FEATURES



Auto on/off with pull out visor
Lights and Fan turn on automatically when you slide the hood visor out.



Top and Rear Direct Venting
Easy kitchen integration with top and direct rear venting and recirculation options.



Dish Washer Safe Filters
Market leader with 2 Full width dishwasher safe mesh filters for full ventilation coverage.



Fully Customizable Front Trim
Front visor trim can easily be integrated into your kitchen decor with accessory kit panels or fully customize for your own kitchen.

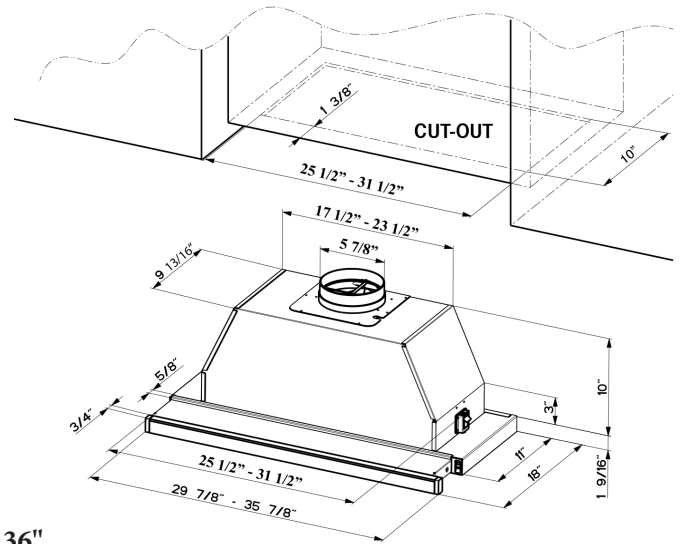
CRISTAL SS UNDER CABINET RANGE HOOD



SPECIFICATIONS

cabinet cut out	25 1/2" or 31 1/2" (W) x 10" (D)
convertible to ductless / recirculating	yes - sold separately, need air return back into the kitchen out of the cabinet
controls	3 speed slider
lighting	2 x 20 (w) halogen
ducting direct rear vent	6" round
ducting top	6" round
grease filters	4 dishwasher safe mesh filters
auto on/off	yes - fan/lights turn on when pulled out
stainless steel front panel	yes
make up air compliant	yes - 300 cfm version option or CFM reducer kit
built in mounting hardware	yes -easy snap mounting clips
power cord included	yes
AC input/AC power	120V-60z / max 370 W at 3.1 A

DIMENSIONS



30,36"
Front View

PERFORMANCE (600 CFM motor shown)

SPEED	1	2	3
CFM	335	450	560
Sones	2.3	4.0	7.0

ACCESSORIES

FILTER1 – Charcoal Filter Kit

High quality charcoal filter for use when recirculating the air back into the kitchen. Filters out odor and should be replaced every 6 months

CFMRED – CFM Reducer Kit

For use in make up air areas where an under 300 cfm hood is required. This kit reduces the ducting to 5" round and reduces the cfm to under 300

MUDAMPER6 / MUDAMPER8 – Universal Make-Up Air Damper

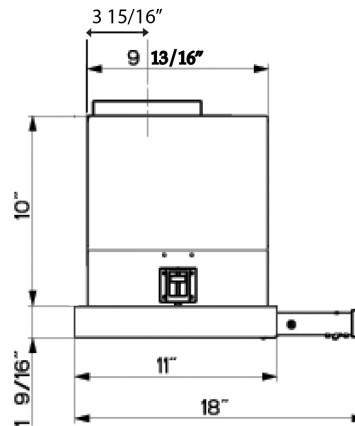
Satisfies make-up air requirements, this kit uses an air switch to activate the make-up air damper to open and bring fresh air into the home when the hood fan is on. It then closes tightly when the hood is off. The CFM level is not reduced with this accessory.

- # CRTRIM30WH – (30" white)
- # CRTRIM30BK – (30" black)
- # CRTRIM36WH – (30" white)
- # CRTRIM36BK – (30" black)

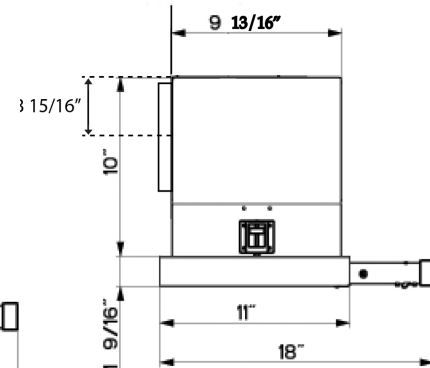
Front Trim Kit

Replace the stainless trim on the slide out hood with a black or white trim.

CRISTAL HC SIDE DIMENSIONS (TOP VENT - STANDARD)

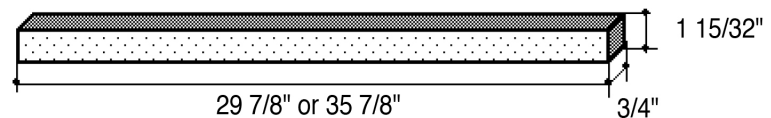


CRISTAL HC SIDE DIMENSIONS (DIRECT REAR VENT OPTION)



Side View Top and Direct Rear Vent - 30, 36"

CUSTOM FRONT TRIM DIMENSIONS



WARNING! Product specifications are subject to change without notification. Consult the installation instructions before you begin installing this range hood

