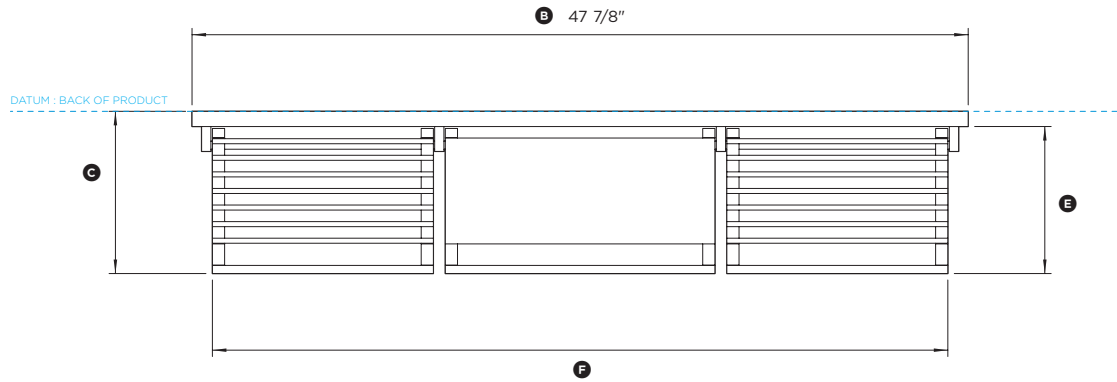
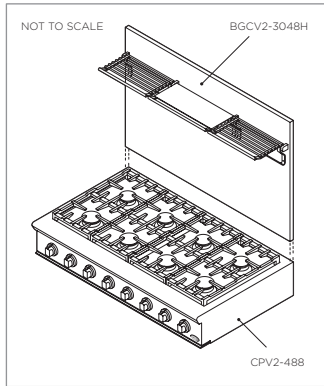
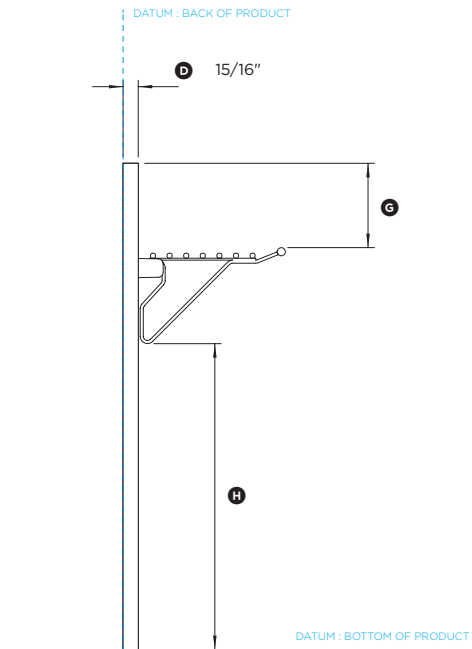


# Data Sheet

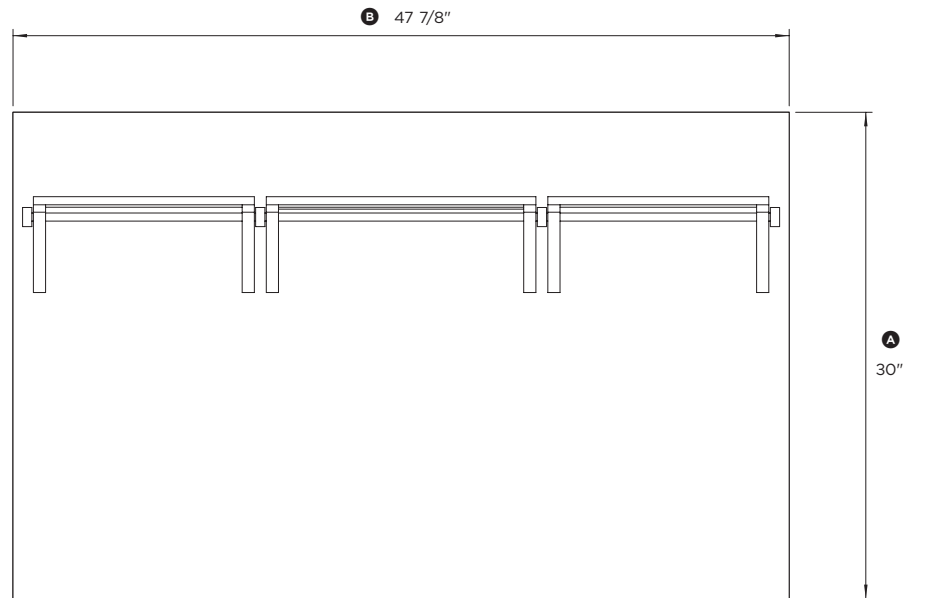
# 48" Professional Cooktop Backguard



PLAN VIEW



PROFILE VIEW



FRONT VIEW

Model no:

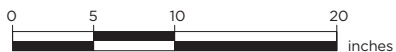
**BGCV2-3048H** (refer page 2 for metric measurements)

Product Dimensions	in
Ⓐ Overall height of backguard	30"
Ⓑ Overall width of backguard	47 7/8"
Ⓒ Overall depth of backguard and racks	10"
Ⓓ Depth of backguard	15/16"
Ⓔ Depth of racks	9 1/16"
Ⓕ Width of racks	45 3/8"
Ⓖ Distance from top of backguard to top of racks	5 3/8"
Ⓗ Distance from bottom of backguard to bottom of racks	18 7/8"

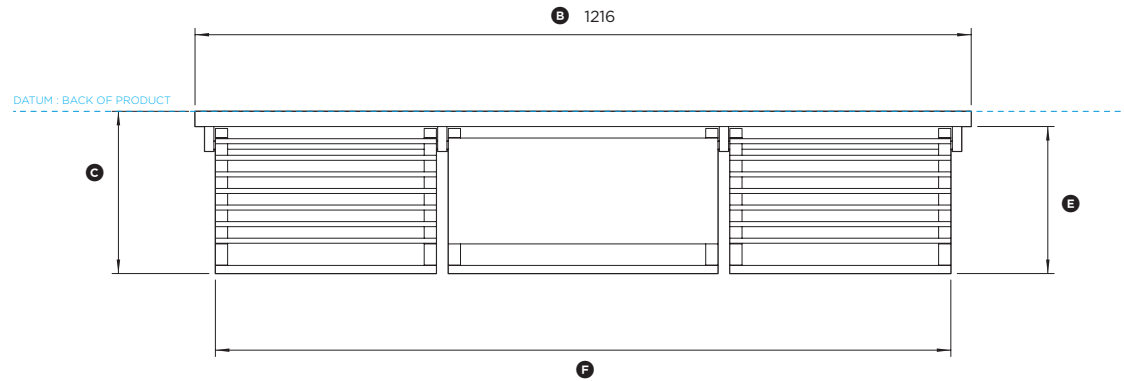
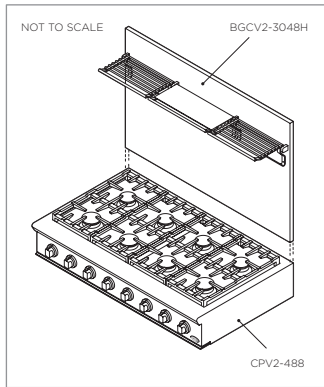
INDICATES PRODUCT DATUM -----

DATE: **05.05.2016**

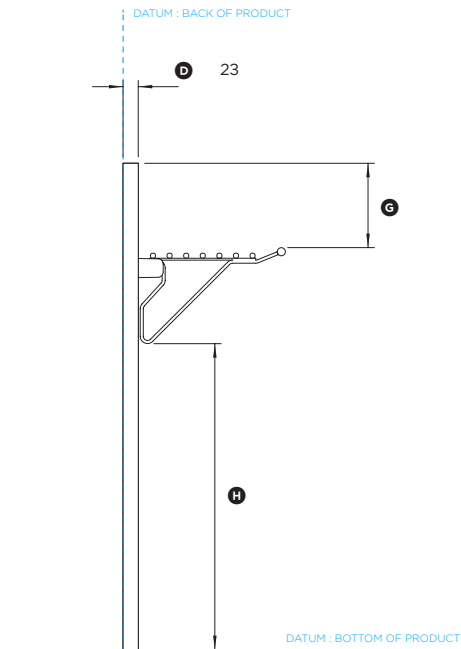
IMPORTANT NOTE: Throughout this guide, dimensions may vary by ±2mm (3/32"). Please read the installation manual for detailed information on installing the product. For full installation instructions & specifications visit [dcsappliances.com](http://dcsappliances.com)



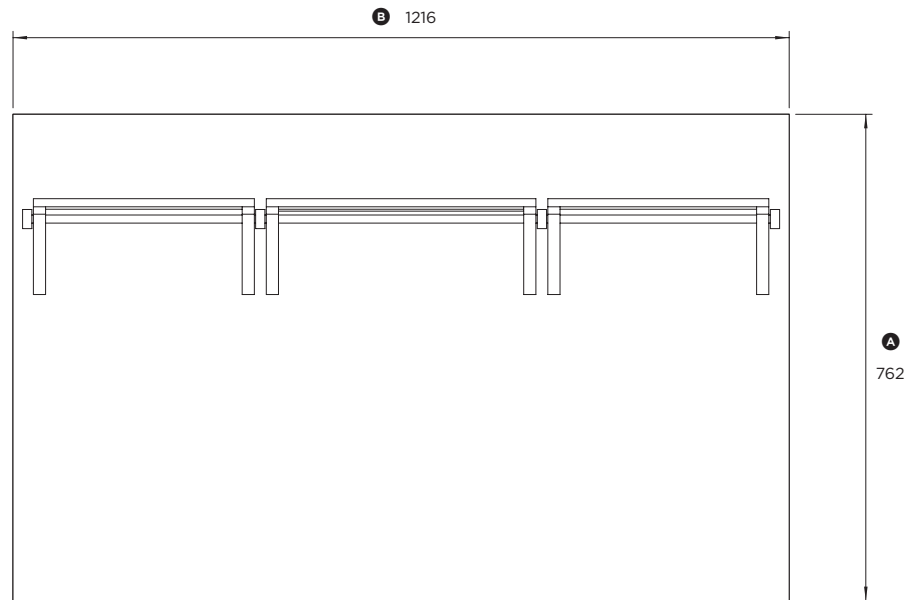
## Data Sheet



PLAN VIEW



PROFILE VIEW



FRONT VIEW

## 48" Professional Cooktop Backguard

Model no:

**BGCV2-3048H** (refer page 1 for imperial measurements)

Product Dimensions	mm
Ⓐ Overall height of backguard	762
Ⓑ Overall width of backguard	1216
Ⓒ Overall depth of backguard and racks	254
Ⓓ Depth of backguard	23
Ⓔ Depth of racks	230
Ⓕ Width of racks	1152
Ⓖ Distance from top of backguard to top of racks	136
Ⓗ Distance from bottom of backguard to bottom of racks	479

INDICATES PRODUCT DATUM

DATE: 05.05.2016

IMPORTANT NOTE: Throughout this guide, dimensions may vary by  $\pm 2\text{mm}$  ( $3/32''$ ). Please read the installation manual for detailed information on installing the product. For full installation instructions & specifications visit [dcsappliances.com](http://dcsappliances.com)

