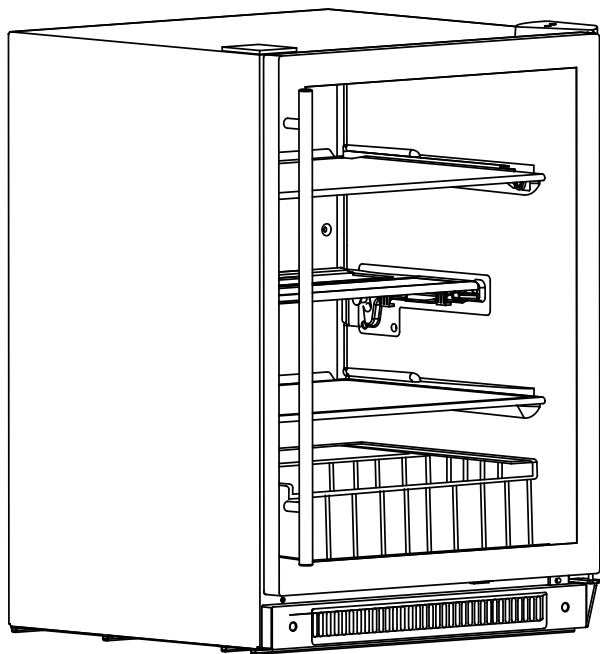


**Beverage Center**  
**Centre de boisson**  
**Centro de la bebida**

**User Manual**  
**Guide de l'Utilisateur**  
**Manual del Usuario Modelo**  
**BC100GS**



**Haier®**

SMARTER LIFE

BETTER PLANET

# IMPORTANT SAFEGUARDS

**When using this appliance, always exercise basic safety precautions, including the following:**

- 1) Read all of the instructions before using this appliance.
- 2) Use this appliance only for its intended purposes as described in this use and care guide.
- 3) This appliance must be properly installed in accordance with the installation instruction before it is used. See grounding instructions in the installation section.
- 4) Never unplug your beverage center by pulling on the power cord. Always grasp the plug firmly and pull straight out from the outlet.
- 5) Unplug your beverage center before cleaning or before making any repairs. **Note:** If for any reason this product requires service, we strongly recommend that a certified technician performs the service.
- 6) Repair or replace immediately, all electric power cords that have become frayed or otherwise damaged. Do not use a cord that shows cracks or abrasion damage along its length, the plug or the connector end.
- 7) This appliance is designed built-in use only in an enclosed cabinet.
- 8) If your old beverage center is not being used, we recommend that you remove the door and leave the shelves in place. This will reduce possibility of danger to children.
- 9) Do not operate your beverage center in the presence of explosive fumes.
- 10) Do not store foods in beverage center as interior temperature may not be cool enough to prevent spoilage or may cause bacteria growth.
- 11) Cabinet edges along stamp/cut-out areas may be sharp. Please avoid placing hands, fingers, or other appendages near these areas.
- 12) This appliance is not intended for use by young children or infirm persons without supervision. Young children should be supervised to ensure they do not play with the appliance.

**NOTE:** Ambient operating temperature is between 55°-90°F.

## SAVE THESE INSTRUCTIONS DANGER

**Risk of child entrapment. Before you throw away your old beverage center, take off the doors. Leave the shelves in place so that children may not easily climb inside.**

# TABLE OF CONTENTS

PAGE

<b>IMPORTANT SAFEGUARDS</b> .....	1
<b>PARTS AND FEATURES</b> .....	3
<b>INSTALLING YOUR BEVERAGE CENTER</b> .....	4-7
Unpacking your Beverage Center.....	4
Leveling your Beverage Center.....	4
Installation Limitations.....	4
Unit Dimensions.....	5
Electrical Requirements.....	5
Use of Extension Cords.....	5
Anti-tip Bracket Installation.....	6
Door Reversal.....	7-8
<b>BEVERAGE CENTER FEATURES AND USE</b> .....	9-10
Initial Set up.....	9
Temperature Adjustment.....	9
Sabbath Mode.....	9
Alarm System.....	9
Capacity.....	9
Shelving.....	10
°F/°C Conversion.....	10
Interior Light.....	10
Power Button.....	10
Normal Operating Sounds.....	10
<b>PROPER BEVERAGE CENTER CARE AND CLEANING</b> .....	11
Cleaning and Maintenance.....	11
Power interruptions.....	11
Vacation & Moving care.....	12
<b>TROUBLESHOOTING</b> .....	12
<b>WARRANTY</b> .....	13

Thank you for using our product.  
This easy-to-use manual will guide  
you in getting the best use of your  
beverage center.

Remember to record the model and  
serial number. They are on a label  
in back of the beverage center.

---

 Model Number

---

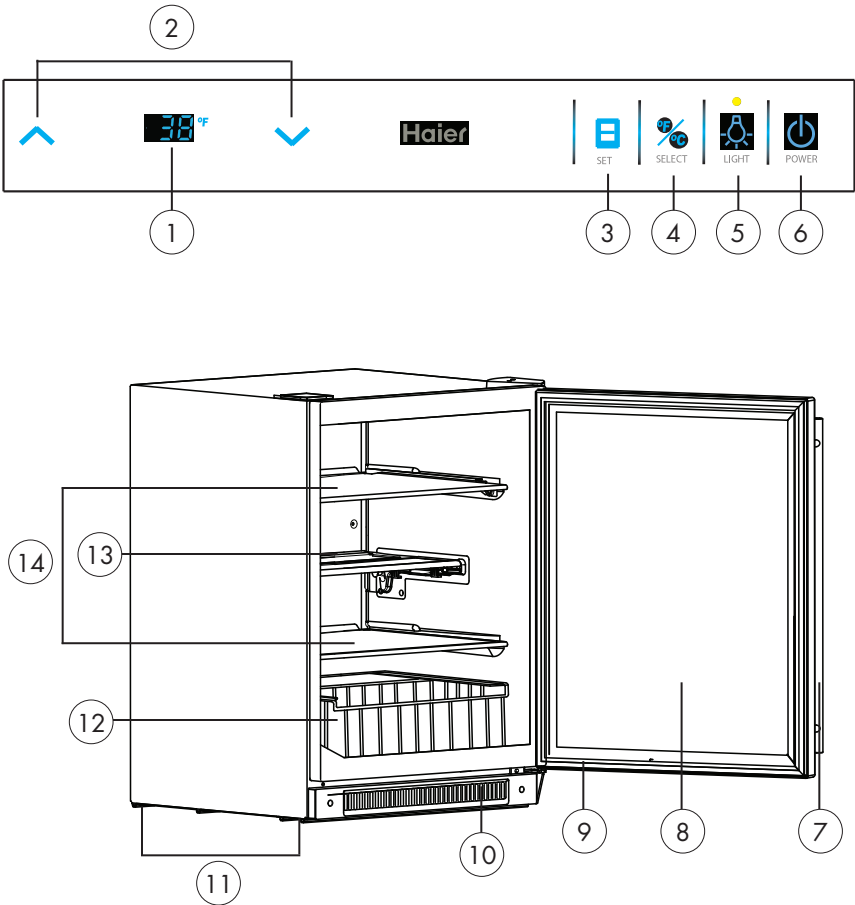
 Serial Number

---

 Date of Purchase

**Staple your receipt to your manual.  
You will need it to obtain warranty service.**

# Parts And Features



1. LED Temperature Display
2. Temperature Adjustment (up/down)
3. Temperature Set Button
4. °C and °F Conversion
5. Interior Light Button
6. Power Button
7. Door Handle

8. Glass Door
9. Light Switch
10. Front Cover (Toe Kick)
11. Adjustable Leveling Leg
12. Bottom Rack
13. Fold Away Shelf
14. Glass Shelf

# Installing Your Beverage Center

## Unpacking Your Beverage Center

1. Remove all packaging material. This includes the foam base and all adhesive tape holding the beverage center accessories inside and outside.
2. Inspect and remove any remains of packing, tape or printed materials before powering on the beverage center.

## Leveling Your Beverage Center

- Your beverage center has four leveling legs which are located in the front and rear corners. After properly placing your beverage center in its final position, you can level it.
- Leveling legs can be adjusted by turning them clockwise to raise your beverage center or by turning them counterclockwise to lower your beverage center. The beverage center door will close easier when the leveling legs are extended.

**Note:** If your beverage center has been tilted for any reason, wait 24 hours before plugging it in.

## Install Limitations

- Do not install your beverage center in any location not properly insulated or heated e.g. garage etc. Your beverage center was not designed to operate in temperature settings below 55° Fahrenheit.
- Select a suitable location for the beverage center on a hard, even surface away from direct sunlight or heat source e.g. radiators, baseboard heaters, cooking appliances etc. Any floor unevenness should be corrected with the leveling legs located on the front and rear bottom corners of the beverage center.
- Built-in beverage center need to be ventilated from the front. This feature allows the unit to be built-in in an enclosed area. The bottom front grill should be clear of all obstructions. This is absolutely necessary for the air to circulate and for the unit to operate efficiently. The dimensions for installation are as follows (WxDxH).

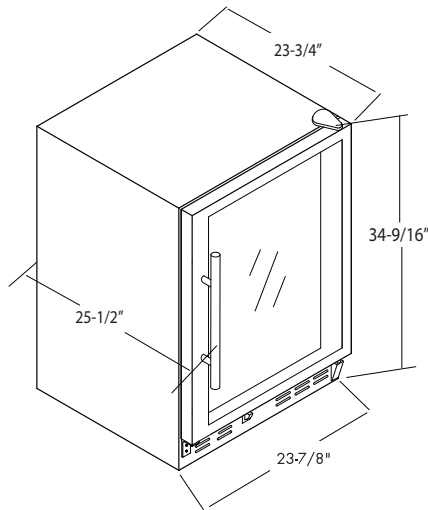
**Note:** Remove the upper hinge cover before built-in the beverage center.

## Unit Dimensions

Model	W	D	H
BC100GS	23-7/8"	23-3/4"	34-9/16"

## Opening Dimensions

Model	W	D	H
BC100GS	24"	24"	35"



## Electrical Requirement

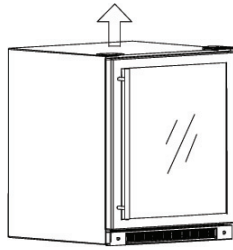
- Make sure there is a suitable power outlet (115 volts, 15 amps outlet) with proper grounding to power the beverage center.
- Avoid the use of three plug adapters or cutting off the third grounding prong in order to accommodate a two prong outlet. This is a dangerous practice since it provides no effective grounding for the beverage center and may result in shock hazard.

## Use of Extension Cords

- Avoid the use of an extension cord because of potential safety hazards under certain conditions. If it is necessary to use an extension cord, use only a 3-wire extension cord that has a 3-blade grounding plug and a 3-slot outlet that will accept the plug. The marked rating of the extension cord must be equal to or greater than the electrical rating of the appliance.

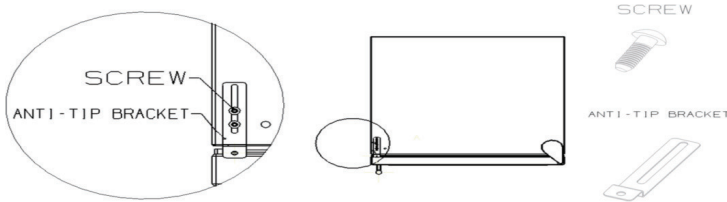
### Anti-tip bracket Installation

1. Take off upper hinge cover with upwards motion. Refer to illustrations below:

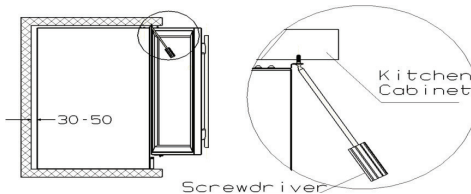


2. Take the anti-tip bracket and screws from the accessory bag. Tighten the anti-tip bracket on the top of the product with screws as follows in the illustration.

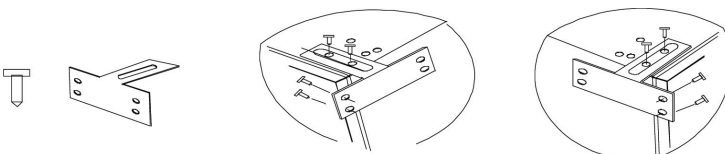
**Note:** Follow instructions properly or you may do damage to product.



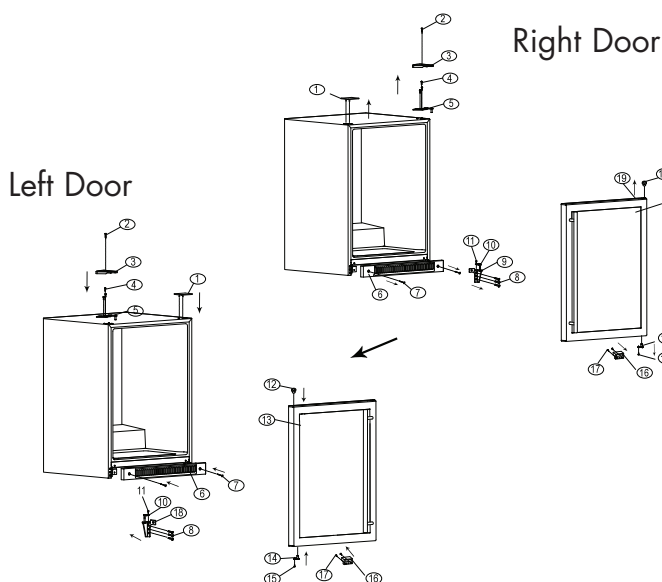
3. Pull glass door open and attach the anti-tip bracket to counter by screw as seen below. Adjustment of the leveling legs under the unit may be necessary for a proper fit in the cabinet opening. Start with the rear legs (if necessary) before you slide the unit fully into the opening –rise or lower the rear legs to make the unit fit properly. Then carefully slide the unit into opening as not to damage accidentally cabinetry or the floor. Then perform the same adjustments to the front leveling legs to bring the front of unit to the proper level to install the anti-tip bracket and fit evenly under the counter.



4. Another set of anti-tip brackets for side installation is provided as option when the counter top is granite and hard to fix by screw. This set of brackets include one bracket and four screws for installation on left side if the cabinet when the door is left-open or on the right side of the cabinet when the door is right-open. Below draft illustrates the installation procedure.



## Door Reversal



- |                                 |                                   |
|---------------------------------|-----------------------------------|
| 1. Upper hinge hole's cover     | 11. Door stop spacer              |
| 2. Hinge cover's plug and screw | 12. Upper door hole spacer        |
| 3. Upper hinge's cover          | 13. Glass door                    |
| 4. Upper hinge's screw          | 14. Door closer                   |
| 5. Upper hinge                  | 15. Screw                         |
| 6. Front cover (toe kick)       | 16. Magnetic switch's screw       |
| 7. Front cover's screw          | 17. Magnetic switch               |
| 8. Lower hinge's screw          | 18. Lower left hinge (spare part) |
| 9. Lower right hinge            | 19. Screw hole cap                |
| 10. Door stop spacer            |                                   |



## Steps to Door Reversal

1. Remove lower toe kick (Front cover)
2. Remove plastic plug in the center if hinge cover (#3)
3. Remove screw from center of hinge cover (#2)
4. Remove hinge cover (#3)
5. Remove Square cover on left (#1)
6. Loosen and remove all 3 screws from upper door hinge (#4 and #5)  
**NOTE:** Hold door while loosening and removing upper hinge to prevent fall and Damaging door as well as bodily injury
7. Lift door and lay door flat on the door
8. Loosen and remove the screws that hold the plastic door closer attached on the door in place (#14 and #15)
9. Remove upper right hole plastic door spacer (#12)
10. Remove the small screw hole cap in place (#19)
11. Loosen and remove door magnet switch from bottom center of door (#16 and #17) and reattach it to the top center of door.
12. Loosen and remove the 4 screws that hold the bottom right door hinge in Place
13. Remove bottom right door hinge
14. Loosen and remove the screw that hold the plastic door closer attached to the bottom right door hinge (#10 and #11)
15. Attach and tighten plastic door closer removed in step 13 to the bottom left door hinge provided in the accessory bag inside unit
16. Attach and tighten the bottom left door hinge to the unit with the screws removed in step 8
17. Take door so handle is now on the right side as it is placed in front of you and lay flat on floor
18. Insert plastic door spacer removed in step 9 into top left hole of door
19. Attach the plastic door closer to the door removed in step 8
20. Align the bottom left hole on the door with the pin on the bottom left door hinge
21. Slide into place gently
22. Take upper door hinge removed in step 6
23. Align pin of upper door hinge with hole on the upper left if door
24. Take the 3 screws removed step 6 and attach them to the screw holes on the unit and tighten **Note:** Do not fully tighten yet
25. Make sure top of door is level with top of cabinet
26. Once level, fully tighten screws that hold upper door hinge in place
27. Replace upper hinge cover removed in step 4
28. Tighten hinge cover to unit with screw removed in step 3
29. Replace screw cover plug removed in step 2
30. Replace square cover removed in step 5 to top cover right screw holes
31. Replace the small screw hole cap removed in step 10
32. Attach and tighten toe kick (Front cover) to the unit with the screws removed in step 1

## Beverage Center Features and Use

### Initial Setup

Once you have plugged the unit into an electrical outlet, let the unit run for at least 30 minutes to acclimate itself before making any adjustments. The LED display will show the current internal temperature.

### Temperature Adjustments:

- The beverage center can be set to any temperature between 39° and 62°F to accommodate your storage requirements. To set the temperature hold the "Set" button for about 3 seconds. You will notice the temperature display blink.

Fig.#1



### Sabbath Mode

- Press and hold "^" and "v" at the same time for 3 seconds, buzzer will ring once, display panel will flash 5 times and stop. This indicates that the unit has entered Sabbath mode. In this mode, normal cooling operations still take place (compressor, magnetic valve, fan) but all luminous equipment including display panel and LED bulb will shut off no matter if the door is opening or closing. Press and hold "^" and "v" at the same time for 3 seconds, after display panel flashes 5 times, you can exit from Sabbath mode.

### Alarm System

**Door Ajar Alarm-** If the door of the unit is kept open for long time and affect temperature so much , the system will give an alarm, if you want to stop it, press "SET" button.

### Capacity

The capacity of beverage center is 150 cans. The quantity may vary if the type or the size of the beverage center & can change.

## Shelving

- The shelves are designed for appearance and easy cleaning.
- There are 3 glass shelves for easy storage and removal of your beverage.
- The middle glass shelf is foldable, has three variable shapes to accommodate different sizes of beverage bottles. Below chart illustrates the recommended storage ways.



## "°F/°C" Conversion

Press and hold "°F/°C" for 3 seconds, the displayed temperature in Fahrenheit degree and °F character will convert to temperature in Celsius degree and "°C" character. Press and hold "°F/°C" for 3 seconds again, the temperature in Celsius degree and "°C" character will convert to temperature in Fahrenheit degree and "°F" character.

## Interior Light

- To complement the look of your collection, a soft light has been built into the beverage center. Simply push the "Light" button and the light comes on, push again for off. For maximum energy efficiency, leave light off when not viewing your collection.
- When door is open the light will go on. Upon closing the door, the light will go off.

## Power Button

- You can shut the power of the beverage center when you don't need it to work by pressing the "Power" button for 3 seconds. It will shut off the compressor, electromagnetism valve and the display panel. It can also be turned on again by pressing the "Power" button quickly. The light inside the beverage center will turn on if you open the door when the power shutting off in order to access the conveniently.

## Normal Operating Sounds You May Hear

- Boiling water, gurgling sounds or slight vibrations that are the result of the refrigerant circulating through the cooling coils.
- The thermostat control will click when it cycles on and off.

## Proper Beverage Center Care and Cleaning

### Cleaning and Maintenance

#### **WARNING:**



**To avoid electric shock, always unplug your Beverage Center before cleaning. Ignoring this warning may result in death or injury.**

#### **CAUTION:**



**Before using cleaning products, always read and follow manufacturer's instructions and warnings to avoid personal injury or product damage.**

#### **General:**

- Prepare a cleaning solution of 3-4 tablespoons of baking soda mixed with warm water. Use sponge or soft cloth, dampened with the cleaning solution, to wipe down your beverage center.
- Rinse with clean warm water and dry with a soft cloth.
- Do not use harsh chemicals, abrasives, ammonia, chlorine bleach, concentrated detergents, solvents or metal scouring pads. Some of these chemicals may dissolve, damage and/or discolor your beverage center.

#### **Door Gaskets:**

Clean door gaskets every three months according to general instructions. Gaskets must be kept clean and pliable to assure a proper seal

- Petroleum jelly applied lightly on the hinge side of gaskets will keep the gasket pliable and ensure a good seal.

## Power Interruptions

- Occasionally there may be power interruptions due to thunderstorms or other causes. Remove the power cord from AC outlet when a power outage occurs. When power has been restored, replug power cord to AC outlet.

## Vacation and Moving Care

- For long vacations or absences, empty food from beverage center and clean the beverage center and door gaskets according to "General Cleaning" section. Leave doors open, so air can circulate inside.
- When moving always move the beverage center vertically. Do not move with the unit lying down, as possible damage to the sealed system could occur.

Note: After moving, wait for 24 hours before plugging in the beverage center.

# Troubleshooting

## **Beverage Center does not operate:**

- Check if beverage center is plugged in.
- Check if there is power at the AC outlet, by checking the circuit breaker.

## **Food temperature appears too warm:**

- Frequent door openings.
- Allow time for recently added product to reach desired temperature.
- Check gaskets for proper seal.
- Clean front cover.
- Adjust temperature control to colder setting.

## **Beverage Center is too cold:**

- If temperature control setting is too cold, adjust to a warmer setting.

## **Beverage Center cellar runs too frequently:**

- This may be normal to maintain constant temperature during high temperature and humid days.
- Doors may have been opened frequently or for an extended period of time.
- Clean front cover.
- Check gasket for proper seal.
- Check to see if doors are completely closed.

## **Moisture build up on interior or exterior of the beverage center:**

- This is normal during high humidity periods.
- Prolonged or frequent door openings.
- Check door gaskets for proper seal.

## **Beverage Center door does not shut properly:**

- Level the beverage center .
- Check for blockages, e.g. beverages.

# Limited Warranty

## What is covered and for how long?

This warranty covers all defects in workmanship or materials for a period of:

- 1 year parts (In Home)**
- 1 year labor (In Home)**
- 5 years sealed system**

The warranty commences on the date the item was purchased and the original purchase receipt must be presented to the authorized service center before warranty repairs are rendered.

### **EXCEPTION: Commercial or Rental Use Warranty**

- 90 days labor (In Home)**
- 90 days parts (In Home)**
- No other warranty applies**

## What is covered.

1. The mechanical and electrical parts, which serve as a functional, purpose of this appliance for a period of 1 year. This includes all parts except finish, and trim.
2. The components of the sealed system e.g. hermetic compressor, condenser and evaporator from manufacturing defects for a period of 5 years from the date of purchase. Any damages to such components caused by mechanical abuse or improper handling or shipping will not be covered.

## What will be done?

1. We will repair or replace, at our discretion any mechanical or electrical part which proves to be defective in normal usage during the warranty period so specified.
2. There will be no charge to the purchaser for parts and labor on any covered items during the initial 1 year period. Beyond this period only parts are covered in the remaining warranty. Labor is not provided and must be paid by the customer.

3. Contact customer service:  
1-877-337-3639.

## **THIS WARRANTY COVERS APPLIANCES WITHIN THE CONTINENTAL UNITED STATES, PUERTO RICO AND CANADA. IT DOES NOT COVER THE FOLLOWING:**

- Damages from improper installation.
  - Damages in shipping.
  - Defects other than manufacturing.
  - Damage from misuse, abuse, accident, alteration, lack of proper care and maintenance or incorrect current or voltage.
  - Damage from other than household use.
  - Damage from service by other than an authorized dealer or service center.
  - Decorative trims or replaceable light bulbs.
  - Transportation and shipping.
  - Labor (after the initial 1 year).
- THIS LIMITED WARRANTY IS GIVEN IN LIEU OF ALL OTHER WARRANTIES, EXPRESSED OR, INCLUDING THE WARRANTIES OF MERCHANTABILITY AND FITNESS FOR A PARTICULAR PURPOSE**
- The remedy provided in this warranty is exclusive and is granted in lieu of all other remedies.
- This warranty does not cover incidental or consequential damages, so the above limitations may not apply to you. Some States do not allow limitations on how long an implied warranty lasts, so the above limitations may not apply to you.

This warranty gives you specific legal rights, and you may have other rights, which vary, from state to state.

Haier America  
New York, NY 10018

# MESURES DE PROTECTION IMPORTANTES

Lors de l'utilisation de cet appareil, des consignes de sécurité de base doivent être respectées, y compris ce qui suit :

- 1) Lisez toutes les instructions avant d'utiliser cet appareil.
- 2) N'utilisez cet appareil qu'aux fins prévues, telles qu'elles sont décrites dans ce guide d'utilisation et d'entretien.
- 3) Cet appareil doit être installé conformément aux instructions d'installation avant d'être utilisé. Consultez les instructions de mise à la terre dans la section traitant de l'installation.
- 4) Ne débranchez jamais votre refroidisseur de boissons en tirant sur le cordon d'alimentation. Saisissez toujours la fiche fermement et tirez-la en ligne droite pour la sortir de la prise de courant.
- 5) Débranchez votre refroidisseur de boissons avant de le nettoyer ou de procéder à des réparations. **Remarque** : Si pour une raison ou une autre ce produit nécessite un entretien, nous vous recommandons fortement de faire appel aux services d'un technicien agréé.
- 6) Réparez ou remplacez immédiatement tous les cordons d'alimentation électrique qui s'effilochent ou étant autrement endommagés. N'utilisez pas de cordon si celui-ci, la fiche ou l'embout du connecteur présente des fissures ou d'autres dommages causés par l'abrasion.
- 7) Cet appareil est conçu en tant qu'unité encastrable devant être uniquement installé dans une armoire.
- 8) Si votre refroidisseur de boissons n'est pas utilisé, nous recommandons d'en retirer la porte et de laisser les étagères en place. Cela réduira les risques pour les enfants.
- 9) Ne faites pas fonctionner votre refroidisseur de boissons en présence de vapeurs explosives.
- 10) Ne placez pas d'aliments dans le refroidisseur de boissons puisque la température interne peut ne pas être suffisamment froide pour éviter une détérioration ou le développement de bactéries.
- 11) Les rebords de l'armoire peuvent être coupants le long des zones de découpage. Évitez de mettre les mains, les doigts ou d'autres parties du corps près de ces zones.
- 12) Cet appareil n'est pas conçu pour une utilisation par de jeunes enfants ou des personnes déficientes sans supervision. Les jeunes enfants doivent être surveillés afin de s'assurer qu'ils ne jouent pas avec cet appareil.

## CONSERVEZ CES INSTRUCTIONS DANGER

**Risque qu'un enfant soit enrhumé. Enlevez la porte de votre vieux refroidisseur de boissons avant de le mettre au rebut. Laissez les étagères en place pour rendre l'accès plus difficile aux enfants.**

# ÍNDICE

PAGE

<b>MESURES DE PROTECTION IMPORTANTES</b> .....	1
<b>PIÈCES ET CARACTÉRISTIQUES</b> .....	3
<b>INSTALLATION DE VOTRE REFROIDISSEUR DE BOISSONS</b> .....	4-7
Déballage de votre refroidisseur de boissons .....	4
Nivelage de votre refroidisseur de boissons .....	4
Limites d'installation .....	4
Dimensions de l'appareil .....	5
Exigences en matière d'électricité .....	5
Utilisation de rallonges .....	5
Installation du support antibasculement .....	6
Inversion de la porte .....	7-8
<b>CARACTÉRISTIQUES ET UTILISATION DU REFROIDISSEUR DE BOISSONS</b> .....	9-10
Réglage initial .....	9
Réglage de la température .....	9
Mode Sabbat .....	9
Système d'alarme .....	9
Capacité .....	9
Étagères .....	10
Conversion °F/°C .....	10
Lumière intérieure .....	10
Bouton d'alimentation .....	10
Bruits normaux pendant le fonctionnement .....	10
<b>ENTRETIEN ET NETTOYAGE APPROPRIÉS DU REFROIDISSEUR DE BOISSONS</b> .....	11
Nettoyage et entretien .....	11
Pannes de courant .....	11
Conseils pour les vacances et le déménagement .....	12
<b>DÉPANNAGE</b> .....	12
<b>GARANTIE</b> .....	13

Merci d'utiliser ce produit.

Ce manuel convivial vous indiquera comment tirer le maximum de votre refroidisseur de boissons.

Rappelez-vous de prendre en note les numéros de modèle et de série. Ces numéros se trouvent sur une étiquette apposée au dos de l'appareil.

---

 Numéro de modèle

---

 Numéro de série

---

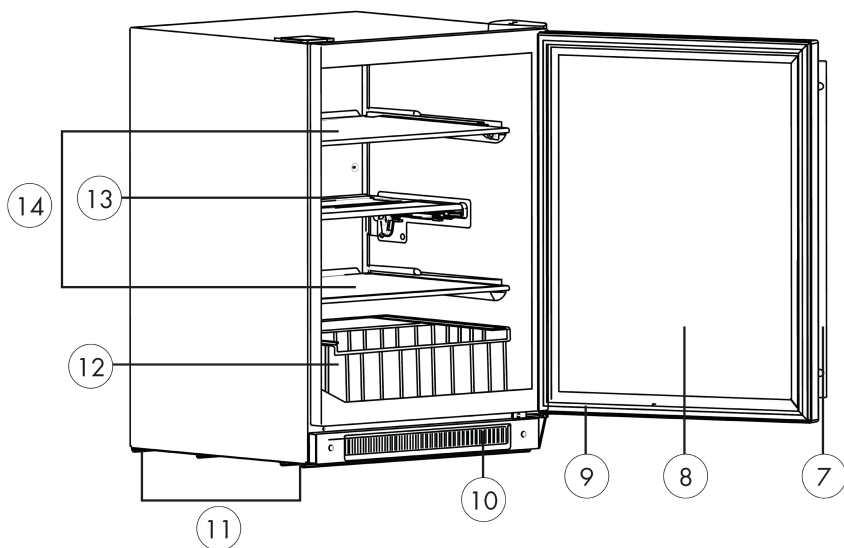
 Date d'achat

**Brochez votre reçu de caisse à votre guide.**

**Vous en aurez besoin pour obtenir du service en vertu de la garantie.**



# Pièces et caractéristiques



- |   |   |
|---|---|
| 1. Affichage à DEL de température       | 8. Porte en verre   |
| 2. Réglage de la température (haut/bas) | 9. Interrupteur de l'éclairage                              |
| 3. Bouton de réglage de la température  | 10. Couverture avant (protection contre les coups de pieds) |
| 4. Conversion °F et °C                  | 11. Patte de nivellement réglable                           |
| 5. Bouton de la lumière intérieure      | 12. Grille du bas   |
| 6. Bouton d'alimentation                | 13. Étagère escamotable                                     |
| 7. Poignée de porte                     | 14. Étagère en verre  |

# Installation de votre refroidisseur de boissons

## Déballage de votre refroidisseur de boissons

1. Retirez tous les matériaux d'emballage. Cela comprend la base en styromousse et tous les rubans adhésifs retenant des accessoires à l'intérieur et à l'extérieur du refroidisseur de boissons.
2. Inspectez l'appareil et enlevez tout résidu d'emballage, de ruban adhésif ou de matériel imprimé avant de le mettre en marche.

## Nivelage de votre refroidisseur de boissons

- Votre refroidisseur de boissons comporte quatre pattes de nivellement, situées aux coins avant et arrière. Après avoir correctement positionné votre refroidisseur de boissons dans sa position finale, vous pouvez procéder au nivelage.
- Pour ajuster les pattes de nivellement, tournez-les dans le sens des aiguilles d'une montre pour relever l'appareil ou dans le sens inverse des aiguilles d'une montre pour l'abaisser. La porte du refroidisseur de boissons est plus facile à fermer lorsque les pattes de nivellement avant sont prolongées.

**Remarque :** Si votre refroidisseur de boissons a été incliné, pour quelque raison que ce soit, attendez 24 heures avant de le brancher.

## Limites d'installation

- N'installez pas votre refroidisseur de boissons dans un endroit qui n'est pas adéquatement isolé et chauffé, tel qu'un garage. L'appareil n'est pas conçu pour fonctionner à des températures inférieures à 55 °F/13 °C.
- Choisissez un emplacement qui convient à l'appareil, sur une surface plane et dure, à l'abri du rayonnement direct du soleil et des sources de chaleur (p. ex., les radiateurs, plinthes chauffantes, appareils de cuisson, etc.). Toute inégalité du plancher devrait être compensée au moyen des pattes de nivellement installées sous l'appareil.
- Le refroidisseur de boissons encastré doit être ventilé par l'avant. Cette caractéristique permet à l'appareil d'être encastré dans un espace fermé. La grille à l'avant au bas doit être libre d'obstruction. Cela est absolument nécessaire pour que l'air circule et que l'appareil fonctionne efficacement. Voici les dimensions pour l'installation (L x l x H).

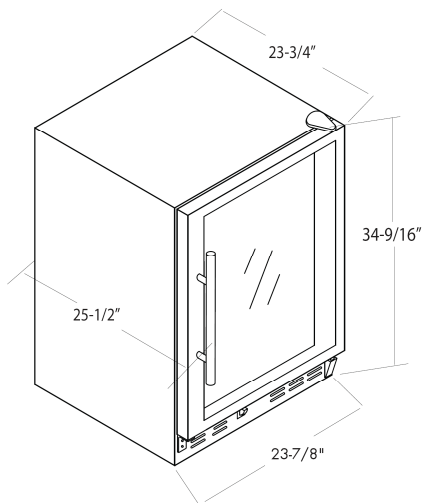
**Remarque :** Retirez le couvercle de la charnière supérieure avant d'encaster le refroidisseur de boissons.

## Dimensions de l'appareil

Modèle	L	I	H
BC100GS	23-7/8"	23-3/4"	34-9/16"

## Dimensions d'ouverture

Modèle	L	I	H
BC100GS	24"	24"	35"



## Alimentation électrique

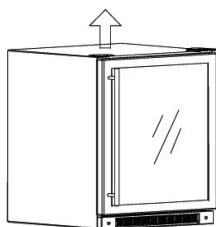
- Veillez à ce qu'il y ait une prise de courant convenable (sortie de 115 volts, 15 ampères) et correctement mise à la terre pour alimenter le refroidisseur de boissons.
- Évitez d'utiliser les adaptateurs tripolaires ou de couper la broche de mise à la terre pour brancher l'appareil à une prise bipolaire. Cette pratique est dangereuse puisqu'elle ne fournit aucune mise à la terre au refroidisseur de boissons et peut entraîner un risque d'électrocution.

## Utilisation de rallonges

- Évitez d'utiliser une rallonge électrique en raison des risques pour la sécurité dans certaines conditions. En cas de nécessité absolue, n'utilisez qu'une rallonge tripolaire munie d'une fiche à trois broches, dont une de mise à la terre, et une prise tripolaire pouvant loger la fiche. La capacité nominale indiquée sur la rallonge doit être égale ou supérieure à la capacité nominale de l'appareil.

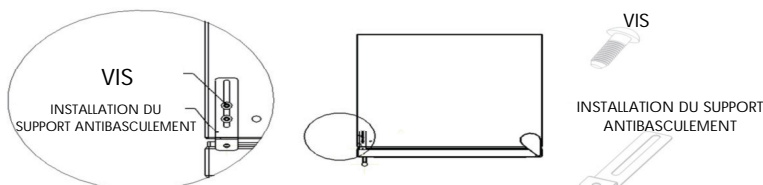
## Installation du support antibasculement

1. Retirez le couvercle de la charnière supérieure en le soulevant. Consultez l'illustration ci-dessous :

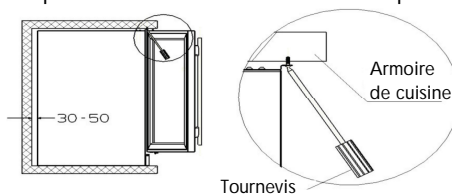


2. Sortez le support antibasculement et les vis du sac d'accessoires. Serrez le support antibasculement sur le dessus du produit avec les vis comme suit, tel que montré dans l'illustration.

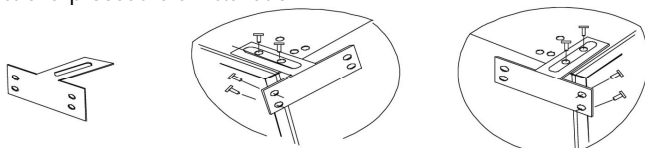
**Remarque :** Suivez les instructions à la lettre car sinon vous risquez d'endommager le produit.



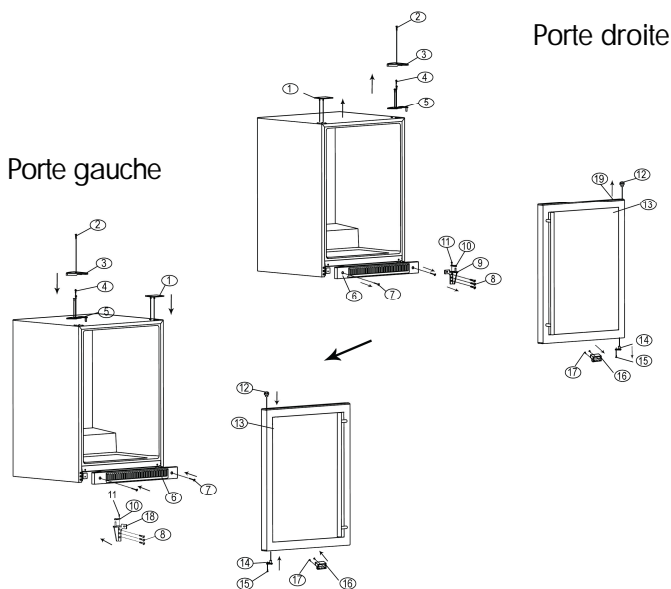
3. Ouvrez la porte en verre en la tirant et fixez le support antibasculement au comptoir à l'aide d'une vis, tel que montré ci-dessous. Il peut être nécessaire d'ajuster les pattes de nivellement sous l'appareil pour qu'il s'adapte correctement dans l'ouverture d'armoire. Commencez par les pattes arrière (si nécessaire) avant de glisser l'appareil entièrement dans l'ouverture; soulevez ou abaissez les pattes arrière de sorte que l'appareil s'adapte correctement à l'ouverture. Puis, glissez délicatement l'appareil dans l'ouverture en prenant garde de ne pas endommager accidentellement les armoires ou le plancher. Effectuez ensuite les mêmes ajustements aux pattes de nivellement avant de sorte que la partie avant de l'appareil soit au niveau approprié pour installer le support antibasculement et s'adapte correctement en-dessous du comptoir.



4. Un autre ensemble de supports antibasculement est fourni pour l'installation latérale en tant qu'option lorsque le comptoir est en granite et que la fixation à l'aide de vis peut être difficile. Cet ensemble de supports comprend un support et quatre vis pour l'installation du côté gauche de l'armoire lorsque la porte est ouverte par la gauche ou du côté droit de l'armoire lorsque la porte est ouverte du côté droit. Le schéma ci-dessous illustre la procédure d'installation.



## Inversion de la porte



- |   |   |
|---|---|
| 1. Couvercle supérieur des trous de la charnière          | 11. Espaceur de butée de porte                      |
| 2. Capuchon et vis du couvercle de la charnière           | 12. Espaceur de trou supérieur de porte             |
| 3. Couvercle supérieur de la charnière                    | 13. Porte en verre                                  |
| 4. Vis de la charnière supérieure                         | 14. Ferme-porte                                     |
| 5. Charnière supérieure                                   | 15. Vis   |
| 6. Couvercle avant (protection contre les coups de pieds) | 16. Vis de l'interrupteur magnétique                |
| 7. Vis du couvercle avant                                 | 17. Interrupteur magnétique                         |
| 8. Vis de la charnière inférieure                         | 18. Charnière inférieure gauche (pièce de rechange) |
| 9. Charnière inférieure droite                            | 19. Bouchon de trou de vis                          |
| 10. Espaceur de butée de porte                            |   |

## Procédure pour l'inversion de la porte

1. Retirez la protection contre les coups de pieds (couvercle avant).
2. Retirez le capuchon de plastique du centre du couvercle de la charnière (3).
3. Retirez la vis du centre du couvercle de la charnière (2).
4. Retirez le couvercle de la charnière (3).
5. Retirez le couvercle carré à la gauche (1).
6. Desserrez et retirez les 3 vis de la charnière supérieure de la porte (4 et 5).  
**REMARQUE** : Maintenez la porte pendant que vous desserrez et retirez la charnière supérieure afin d'éviter une chute et l'endommagement de la porte ainsi que des blessures.
7. Soulevez la porte et placez-la à plat sur le plancher.
8. Desserrez et retirez les vis qui retiennent le ferme-porte en plastique fixé sur la porte (14 et 15).
9. Retirez l'espaceur de porte en plastique du trou supérieur droit (12).
10. Retirez le petit capuchon de trou de vis (19).
11. Desserrez et retirez l'interrupteur magnétique de porte au centre de la partie inférieure de la porte (16 et 17) et placez-le au centre de la partie supérieure de la porte.
12. Desserrez et retirez les 4 vis qui retiennent la charnière inférieure droite de la porte.
13. Retirez la charnière inférieure droite de la porte.
14. Desserrez et retirez la vis qui retient le ferme-porte en plastique fixé sur la charnière inférieure droite de la porte (10 et 11).
15. Installez et serrez le ferme-porte en plastique enlevé à l'étape 13 à la charnière supérieure gauche de la porte, fourni dans le sac d'accessoires à l'intérieur de l'appareil.
16. Installez et serrez la charnière inférieure gauche de la porte à l'appareil à l'aide des vis retirées à l'étape 8.
17. Placez la porte de sorte que la poignée soit maintenant du côté droit tel qu'elle paraît devant vous et à plat sur le plancher.
18. Insérez l'espaceur de porte en plastique retiré à l'étape 9 dans le trou supérieur gauche de la porte.
19. Fixez le ferme-porte en plastique retiré à l'étape 8 à la porte.
20. Alignez le trou inférieur gauche de la porte à l'axe de la charnière inférieure gauche.
21. Faites glisser soigneusement en place.
22. Saisissez la charnière supérieure de porte retirée à l'étape 6.
23. Alignez l'axe de la charnière supérieure de la porte au trou supérieur gauche de la porte.
24. Placez les 3 vis retirées à l'étape 6 dans les trous de vis de l'appareil et serrez.  
**Remarque** : Ne serrez pas complètement pour le moment.
25. Assurez-vous que la partie supérieure de la porte est de niveau par rapport à la partie supérieure de l'armoire.
26. Lorsque le niveau est bon, serrez complètement les vis qui retiennent la charnière supérieure de la porte.
27. Remplacez le couvercle de la charnière supérieure de porte retiré à l'étape 4.
28. Serrez le couvercle de la charnière à l'appareil à l'aide de la vis retirée à l'étape 3.
29. Remplacez le capuchon du couvercle de la charnière retiré à l'étape 2.
30. Remplacez le capuchon carré retiré à l'étape 5 sur les trous de vis de droite du couvercle supérieur.
31. Remplacez le petit capuchon de trou de vis retiré à l'étape 10.
32. Installez et serrez la protection contre les coups de pieds (couvercle avant) à l'appareil à l'aide des vis retirées à l'étape 1.

## Caractéristiques et utilisation du refroidisseur de boissons

### Réglage initial

Une fois que l'appareil est branché à une prise murale, laissez-le fonctionner au moins 30 minutes pour qu'il s'acclimate avant d'effectuer des réglages. L'affichage à DEL montrera la température interne actuelle.

### Réglage de la température :

- Le refroidisseur de boissons peut être réglé à une température entre 39 ° et 62 °F selon vos besoins. Pour régler la température, maintenez le bouton de réglage (Set) pendant environ 3 secondes. Vous verrez alors clignoter l'affichage de la température.

Fig. 1



### Mode Sabbat

- Appuyez sur les touches « ^ » et « v » en même temps et maintenez-les enfoncées pendant 3 secondes. L'appareil émettra alors un son, le panneau d'affichage clignotera 5 fois et arrêtera. Cela indique que l'appareil est passé au mode Sabbat. Dans ce mode, les opérations normales de refroidissement ont toujours lieu (compresseur, vanne électromagnétique, ventilateur), mais tout l'équipement lumineux, incluant le panneau d'affichage et l'ampoule à DEL, est fermé, que la porte soit ouverte ou fermée. Appuyez sur les touches « ^ » et « v » en même temps et maintenez-les enfoncées pendant 3 secondes. Lorsque le panneau d'affichage clignote 5 fois, cela signifie que vous quittez le mode Sabbath.

### Système d'alarme

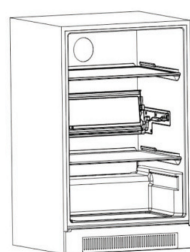
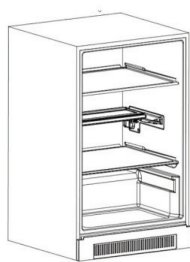
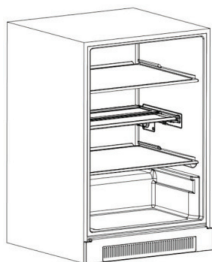
**Alarme de porte ouverte-** Si la porte de l'appareil demeure ouverte pendant un long moment et si cela a un effet sur la température, le système émet une alarme sonore. Appuyez sur le bouton de réglage (Set) pour arrêter l'alarme.

### Capacité

La capacité du refroidisseur de boissons est de 150 cannettes. La quantité peut varier en fonction du type et de la taille du refroidisseur de boissons et des cannettes.

## Étagères

- Les étagères sont conçues en fonction de l'apparence et de la facilité de nettoyage.
- Trois étagères en verre permettent un rangement et un retrait faciles de vos boissons.
- L'étagère en verre du centre est escamotable. Elle offre trois formes différentes pour accommoder les formats de bouteilles de boisson. Le tableau ci-dessous illustre les types d'entreposage recommandés.



## Conversion °F/°C

Maintenez le bouton °F/°C enfoncé pendant 3 secondes, la température affichée en degré Fahrenheit et le caractère °F changera à la température en degré Celsius et au caractère °C. Maintenez le bouton °F/°C enfoncé pendant 3 secondes, la température affichée en degré Fahrenheit et le caractère °F changera à la température en degré Celsius et au caractère °C.

## Lumière intérieure

- Pour ajouter à l'apparence de votre collection, une lumière douce a été intégrée à votre refroidisseur de boissons. Appuyez simplement sur le bouton de la lumière pour l'allumer et appuyez de nouveau pour l'éteindre. Pour obtenir un rendement énergétique maximum, fermez la lumière lorsque vous ne voulez pas regarder votre collection.
- La lumière s'allume lorsque la porte s'ouvre. Elle s'éteint lorsque la porte est fermée.

## Bouton d'alimentation

- Vous pouvez arrêter le refroidisseur de boissons lorsque vous n'en avez pas besoin. Il suffit d'appuyer sur le bouton d'alimentation (Power) pendant 3 secondes. Le compresseur, la soupape d'électromagnétisme et le panneau d'affichage seront alors éteints. Vous pouvez aussi le remettre en marche en appuyant un court moment sur le bouton d'alimentation (Power). La lumière à l'intérieur du refroidisseur de boissons s'allume lorsque vous ouvrez la porte lors de la mise à l'arrêt pour vous faciliter l'accès.

## Bruits normaux que vous pourriez entendre durant le fonctionnement

- De l'eau en ébullition, des gargouillements ou de légères vibrations causées par la circulation du liquide frigorigène dans le serpentin de refroidissement.
- Le contrôle du thermostat clique lorsque le cycle se met en marche et à l'arrêt.



# Entretien et nettoyage appropriés du refroidisseur de boissons

## Nettoyage et entretien

### AVERTISSEMENT :



débranchez toujours le refroidisseur de boissons avant de le nettoyer afin d'éviter tout risque de choc électrique. Ignorer cet avertissement peut entraîner la mort ou une blessure.

### MISE EN GARDE :



Avant d'utiliser des produits nettoyants, lisez et respectez toujours les instructions et avertissements du fabricant pour éviter de vous blesser ou d'endommager le produit.

### Généralité :

- Préparez une solution nettoyante avec 3 ou 4 cuillerées à table de bicarbonate de soude dissoutes dans de l'eau chaude. Utilisez une éponge ou un linge doux, humidifié avec la solution nettoyante, pour nettoyer votre refroidisseur de boissons.
- Rincez avec de l'eau propre et chaude, puis séchez avec un linge doux.
- N'utilisez pas de substances chimiques fortes, d'abrasifs, d'ammoniaque, d'agent chloré de blanchiment, de détergents concentrés, de solvants ou de tampons à récurer métalliques. Certaines de ces substances chimiques peuvent dissoudre, endommager ou décolorer la surface de votre refroidisseur de boissons.

### Joint d'étanchéité de la porte :

Nettoyez les joints d'étanchéité tous les trois mois conformément aux instructions générales. Les joints d'étanchéité doivent demeurer propres et flexibles afin d'assurer une bonne étanchéité.

- La gelée de pétrole appliquée en petite quantité sur le côté des charnières des joints d'étanchéité préservera la flexibilité du joint et assurera une bonne étanchéité.

## Pannes de courant

- À l'occasion, des pannes de courant dues à un orage ou à une cause différente peuvent survenir. Débranchez le cordon d'alimentation de la prise secteur quand une interruption de courant se produit. Quand le courant est rétabli, rebranchez le cordon d'alimentation dans la prise secteur.

## Conseils pour les vacances et le déménagement

- Si vous prévoyez de longues vacances ou une longue absence, enlevez les aliments du refroidisseur de boissons et nettoyez-le ainsi que ses joints d'étanchéité, conformément à la section « Nettoyage général ». Laissez la porte ouverte afin que l'air puisse circuler à l'intérieur.
- Lorsque vous déménagez, déplacez toujours le refroidisseur de boissons verticalement. Ne déplacez pas l'appareil horizontalement. Cela pourrait causer des dommages au système hermétique.

Remarque : Après le déplacement de l'appareil, attendez 24 heures avant de le brancher.

# Dépannage

## **Le refroidisseur de boissons ne fonctionne pas :**

- Vérifiez si le refroidisseur de boissons est branché.
- Vérifiez s'il y a du courant dans la prise CA en inspectant le disjoncteur.

## **La température des aliments semble trop élevée :**

- Ouvertures fréquentes de la porte.
- Laissez le temps aux produits récemment ajoutés d'atteindre la température souhaitée.
- Vérifiez si les joints sont suffisamment étanches.
- Nettoyez le couvercle avant.
- Ajustez la température à un réglage plus froid.

## **Le refroidisseur de boissons est trop froid :**

- Si la température est trop froide, ajustez-la à un réglage plus chaud.

## **Si le refroidisseur de boissons se met en marche trop souvent :**

- Cela peut être normal pour maintenir une température constante lors des journées très chaudes et humides.
- La porte a peut-être été ouverte trop souvent ou pour de longues périodes.
- Nettoyez le couvercle avant.
- Vérifiez si le joint est suffisamment étanche.
- Vérifiez si la porte est complètement fermée.

## **L'humidité s'accumule à l'intérieur ou l'extérieur du refroidisseur de boissons :**

- Cela est normal lors des périodes d'humidité élevée.
- Ouvertures fréquentes ou prolongées de la porte.
- Vérifiez si les joints de la porte sont suffisamment étanches.

## **La porte du refroidisseur de boissons ne se referme pas correctement :**

- Nivelez votre refroidisseur de boissons.
- Vérifiez s'il y a des obstructions causées par des contenants de boisson par exemple.

# Garantie limitée

## Couverture et durée de la garantie

Cette garantie couvre tous les vices de fabrication ou de matériaux pour une période de :

**1 an sur les pièces (en atelier seulement)**

**1 an sur la main-d'œuvre (en atelier seulement)**

**5 ans sur le système hermétique (en atelier seulement)**

La garantie prend effet à la date originale d'achat et le reçu d'achat original doit être présenté au dépositaire autorisé pour que des réparations soient effectuées en vertu de la garantie.

## **EXCEPTION : Garantie d'usage commercial ou locatif**

**90 jours sur la main-d'œuvre (en atelier seulement)**

**90 jours sur les pièces**

**Aucune autre garantie ne s'applique**

## **Éléments couverts**

1. Les organes mécaniques et électriques, qui agissent comme élément fonctionnel de l'appareil, sont garantis pour une durée d'un (1) an. Cela englobe toutes les pièces, à l'exception de la finition extérieure du caisson et des joints d'étanchéité.
2. Les organes du système hermétique (p. ex. le motocompresseur hermétique, le condensateur et l'évaporateur) sont garantis contre tous vices de fabrication pour une durée de cinq (5) ans suivant la date d'achat. Tout dommage à ces composantes causé par un abus mécanique ou une manipulation inadéquate n'est pas couvert par cette garantie.

## **Services couverts**

1. Nous réparerons ou remplacerons, à notre discrétion, tout organe mécanique ou électrique qui s'avère défectueux dans le cadre d'un usage normale durant la période de garantie précisée aux présentes.
2. Les pièces et la main-d'œuvre seront fournies sans frais à l'acheteur au cours de la période initiale d'un (1) an. Au-delà de cette période, seules les pièces sont couvertes pour le reste de la période de garantie. La main-d'œuvre ne sera plus fournie et doit être défrayée par le client.

3. Communiquez avec le service à la clientèle : 1-866-927-4833.

## **LA PRÉSENTE GARANTIE COUVRE LES APPAREILS DANS LES LIMITES DES ÉTATS CONTINENTAUX DES ÉTATS-UNIS, DE PORTO RICO ET DU CANADA. ELLE NE COUVRE PAS LES ÉLÉMENTS SUIVANTS :**

- Les dommages imputables à une installation inadéquate.
- Les dommages subis par l'appareil pendant l'expédition.
- Les défauts autres que de fabrication.
- Les dommages causés par l'emploi incorrect ou abusif, les accidents, les modifications, l'entretien et le soin inadéquat de l'appareil, ou encore un voltage incorrect.
- Les dommages subis ailleurs que dans le cadre d'une utilisation domestique.
- Les dommages découlant d'un entretien effectué ailleurs que chez un détaillant ou un dépositaire autorisé.
- Les bordures décoratives ou les ampoules remplaçables.
- Les dommages subis pendant le transport et l'expédition.
- La main-d'œuvre (après la période initiale d'un an).

**CETTE GARANTIE LIMITÉE EST DONNÉE EN GUISE ET LIEU DE TOUTE AUTRE GARANTIE, EXPRESSE OU COMPRENANT LES GARANTIES DE VALEUR MARCHANDE ET DE CONVENANCE PRÉCISE.**

Le recours fourni par cette garantie est exclusif et accordé en en remplacement de tout autre recours.

La garantie ne couvre pas les dommages accessoires ou indirects. Par conséquent, les limitations précédentes peuvent ne pas s'appliquer à vous. Certains états américains ne permettent aucunes limitations sur la durée d'une garantie implicite. Par conséquent, les limitations précédentes peuvent ne pas vous concerner.

Cette garantie vous confère des droits particuliers reconnus par la Loi, et vous pourriez avoir d'autres droits pouvant varier d'un état à l'autre.

New York, NY 10018

# MEDIDAS DE SEGURIDAD IMPORTANTES

**Cuando utilice este aparato, siempre tome las precauciones básicas de seguridad, incluidas las siguientes:**

- 1) Lea todas las instrucciones antes de usar este aparato.
- 2) Utilice este aparato solamente para lo que fue diseñado, según se describe en esta guía de uso y cuidado.
- 3) Antes de utilizar este aparato, debe instalarse adecuadamente de conformidad con las instrucciones de instalación. Consulte las instrucciones de conexión a tierra en la sección de instalación.
- 4) Nunca jale el cable de suministro eléctrico para desconectar el enfriador de bebidas. Siempre tome la clavija con firmeza y júlela en línea recta del tomacorriente.
- 5) Desconecte el enfriador de bebidas antes de limpiarlo o hacer cualquier reparación. **Nota:** Si por algún motivo este producto requiere servicio, le recomendamos ampliamente que un técnico certificado lo realice.
- 6) Repare o sustituya de inmediato todos los cables de suministro eléctrico que estén desgastados o dañados de alguna otra manera. No utilice un cable que tenga fisuras o abrasiones a lo largo del cable mismo, en la clavija o en el extremo conector.
- 7) Este aparato está diseñado únicamente para empotrarlo en un gabinete cerrado.
- 8) Si su enfriador de bebidas antiguo ya no está en uso, le recomendamos quitarle la puerta y dejar los estantes colocados. Esto reducirá la posibilidad de que represente un peligro para los niños.
- 9) No ponga en funcionamiento el enfriador de bebidas en presencia de vapores explosivos.
- 10) No almacene alimentos en el enfriador de bebidas pues es posible que la temperatura del interior no sea lo suficientemente fría como para evitar que se pudran o podrían formarse bacterias.
- 11) Los bordes del gabinete a lo largo de las áreas con estampado o recortadas pueden estar filosos. Evite colocar las manos, los dedos u otras extremidades cerca de estas áreas.
- 12) Este aparato no está diseñado para que lo usen niños pequeños ni personas discapacitadas sin supervisión. Los niños pequeños deben ser supervisados para asegurarse de que no jueguen con el aparato.

## GUARDE ESTAS INSTRUCCIONES PELIGRO

**Existe el riesgo de que los niños queden atrapados. Antes de desechar su enfriador de bebidas viejo, quítele la puerta.**

**Mantenga las repisas colocadas de modo que los niños no puedan meterse fácilmente.**

# ÍNDICE

PÁGINA

<b>MEDIDAS DE SEGURIDAD IMPORTANTES</b> .....	1
<b>PARTES Y CARACTERÍSTICAS</b> .....	3
<b>CÓMO INSTALAR EL ENFRIADOR DE BEBIDAS</b> .....	4-7
Cómo desempacar el enfriador de bebidas .....	4
Cómo nivelar el enfriador de bebidas .....	4
Limitaciones para la instalación .....	4
Dimensiones de la unidad .....	5
Requisitos eléctricos .....	5
Uso de cables de extensión .....	5
Instalación del soporte antivuelco .....	6
Cambio del sentido de la puerta .....	7-8
<b>CARACTERÍSTICAS Y USO DEL ENFRIADOR DE BEBIDAS</b> .....	9-10
Configuración inicial .....	9
Ajuste de temperatura .....	9
Modo Sabbat .....	9
Sistema de alarma .....	9
Capacidad .....	9
Repisas .....	10
Conversión de °F a °C .....	10
Luz interior .....	10
Botón de encendido .....	10
Sonidos normales de funcionamiento .....	10
<b>CUIDADO Y LIMPIEZA ADECUADOS DEL ENFRIADOR DE BEBIDAS</b> .....	11
Limpieza y mantenimiento .....	11
Interrupciones del suministro eléctrico .....	11
Cuidado en vacaciones y mudanzas .....	12
<b>SOLUCIÓN DE PROBLEMAS</b> .....	12
<b>GARANTÍA</b> .....	13

Gracias por usar nuestro producto.

Este manual de fácil uso lo guiará para que aproveche al máximo su enfriador de bebidas.

---

Número de modelo

Recuerde registrar el modelo y número de serie, que se encuentran en una etiqueta en la parte posterior del enfriador de bebidas.

---

Número de serie

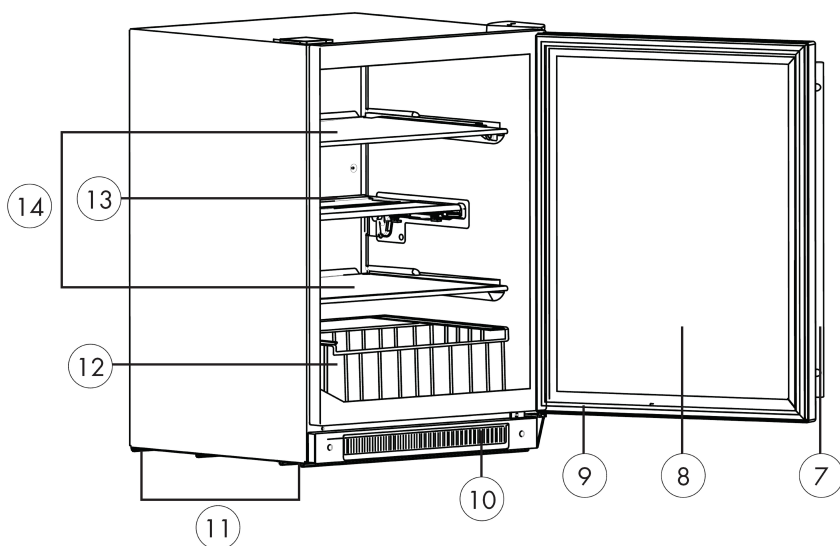
---

Fecha de compra

**Engrape el recibo al manual.**

**Lo necesitará para recibir el servicio cubierto por la garantía.**

# Partes y características



- |   |                                  |
|---|----------------------------------|
| 1. Pantalla de LED de temperatura                       | 8. Puerta de vidrio              |
| 2. Ajuste de temperatura<br>(para subirla/para bajarla) | 9. Interruptor de luz            |
| 3. Botón de configuración de temperatura                | 10. Cubierta frontal (zócalo)    |
| 4. Conversión a °C y °F                                 | 11. Patas niveladoras ajustables |
| 5. Botón de luz interior                                | 12. Anaquel inferior             |
| 6. Botón de encendido                                   | 13. Repisa abatible              |
| 7. Manija de la puerta                                  | 14. Repisa de vidrio             |

# Cómo instalar el enfriador de bebidas

## Cómo desempacar el enfriador de bebidas

1. Quite todos los materiales de empaque, esto incluye la base de espuma y toda la cinta adhesiva que sostiene los accesorios del enfriador de bebidas por dentro y por fuera.
2. Inspeccione y quite cualquier resto de empaque, cinta o material impreso antes de poner en funcionamiento el enfriador de bebidas.

## Cómo nivelar el enfriador de bebidas

- El enfriador de bebidas cuenta con cuatro patas niveladoras ubicadas en las esquinas frontales y traseras. Después de colocar correctamente el enfriador de bebidas en la posición final, puede nivelarlo.
- Las patas niveladoras se pueden ajustar girándolas hacia la derecha para elevar el enfriador de bebidas o hacia la izquierda para bajarlo. La puerta del enfriador de bebidas se cerrará con mayor facilidad si las patas niveladoras quedan extendidas.

**Nota:** Si el enfriador de bebidas se ha inclinado por algún motivo, espere 24 horas antes de enchufarlo.

## Limitaciones para la instalación

- No instale el enfriador de bebidas en un lugar que no esté correctamente aislado o que tenga calefacción, por ejemplo, en la cochera, entre otros lugares. El enfriador de bebidas no fue diseñado para funcionar en ambientes con temperaturas por debajo de los 55 °F (12.77 °C).
- Seleccione un lugar adecuado para el enfriador de bebidas en una superficie firme y nivelada lejos de la luz directa del sol o una fuente de calor; por ejemplo, radiadores, calentadores de zóclo, electrodomésticos para cocinar, entre otros. Si el piso está desnivelado, corrija el problema con las patas niveladoras que se localizan en las esquinas frontales y traseras del enfriador de bebidas.
- El enfriador de bebidas empotrado requiere ventilación por la parte frontal. Esta característica permite que la unidad pueda estar empotrada en un área cerrada. La rejilla frontal inferior nunca debe estar obstruida. Esto es indispensable para que el aire circule y la unidad pueda funcionar de manera eficaz. Las dimensiones para la instalación son las siguientes (anchura x profundidad x altura).

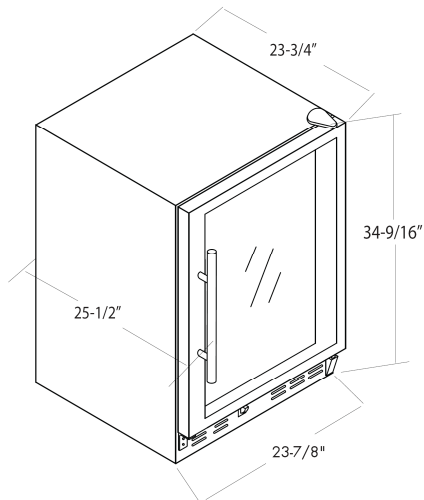
Nota: Quite la cubierta de la bisagra superior antes de empotrar el enfriador de bebidas.

## Dimensiones de la unidad

Modelo	ANCHURA	PROFUNDIDAD	ALTURA
BC100GS	23-7/8" (60.6 cm)	23-3/4" (60.3 cm)	34-9/16" (87.7 cm)

## Dimensiones del espacio

Modelo	ANCHURA	PROFUNDIDAD	ALTURA
BC100GS	24" (61 cm)	24" (61 cm)	35" (89 cm)



## Requisitos eléctricos

- Asegúrese de tener un tomacorriente adecuado (tomacorriente de 115 voltios, 15 amperios) con conexión a tierra apropiada para poner en funcionamiento el enfriador de bebidas.
- Evite usar adaptadores de tres clavijas o cortar la tercera clavija de conexión a tierra para adaptar a un tomacorriente de dos clavijas. Hacer esto es peligroso, ya que el enfriador de bebidas no cuenta con una conexión a tierra eficaz y puede producirse un riesgo de descarga.

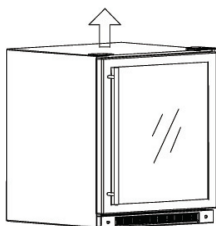
## Uso de cables de extensión

- Evite usar un cable de extensión debido a los posibles riesgos de seguridad que se producen en determinadas condiciones. Si necesita usar un cable de extensión, utilice sólo un cable de extensión de 3 hilos que tenga un enchufe de tres clavijas con conexión a tierra y un tomacorriente de tres clavijas que admita el enchufe. El valor nominal marcado en el cable de extensión debe ser igual o mayor al valor nominal eléctrico del aparato.

## Instalación del soporte antivuelco

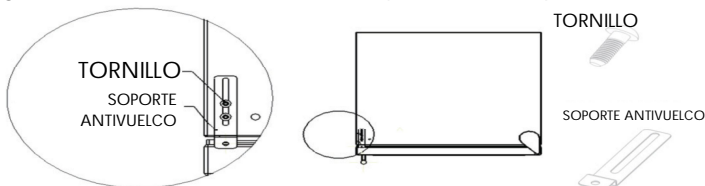


1. Quite la cubierta de la bisagra superior con un movimiento hacia arriba. Véase las siguientes ilustraciones:



2. Saque el soporte antivuelco y los tornillos de la bolsa de accesorios. Fije el soporte antivuelco en la parte superior del producto con los tornillos y apriételo, como se muestra en la imagen.

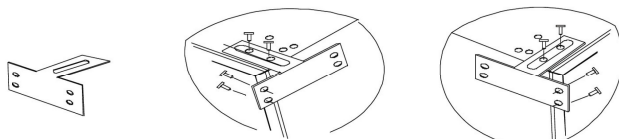
**Nota:** Siga las instrucciones adecuadamente o puede dañar el producto.



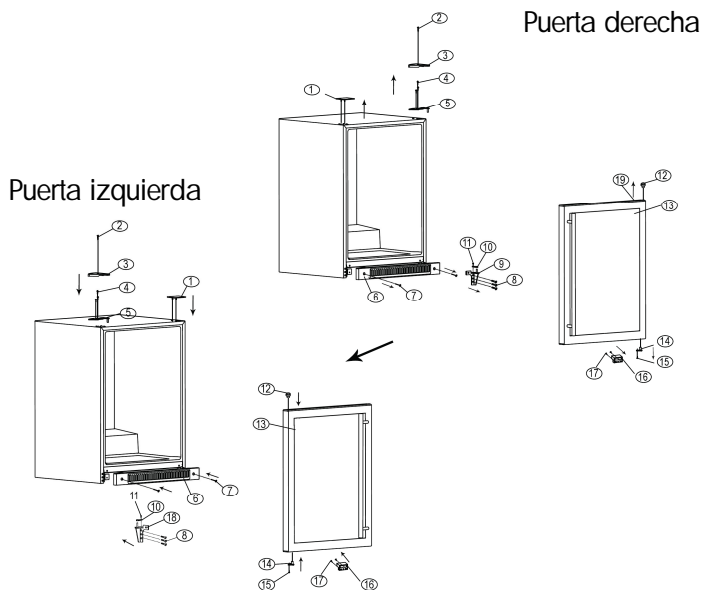
3. Abra la puerta de vidrio y fije el soporte antivuelco a la repisa con tornillos como se muestra abajo. Es probable que sea necesario ajustar las patas niveladoras debajo de la unidad para que ajuste adecuadamente en el espacio del gabinete. Comience por las patas traseras (si es necesario). Antes de deslizar la unidad completamente dentro de la abertura, suba o baje las patas traseras para que la unidad entre de manera correcta. Después, con cuidado deslice la unidad en la abertura de modo que no se dañe el gabinete o el piso por accidente. Enseguida, realice el mismo ajuste a las patas niveladoras frontales para que la parte delantera de la unidad quede al nivel adecuado a fin de instalar el soporte antivuelco y que pueda entrar debajo de la repisa uniformemente.



4. Se incluye otro conjunto de soportes antivuelco para la instalación lateral, que pueden usarse opcionalmente cuando la superficie de la repisa es de granito y se vuelve difícil la fijación con tornillos. Este conjunto de soportes incluye un soporte y cuatro tornillos de instalación para el lado izquierdo del gabinete cuando la puerta se abre hacia la izquierda o para el lado derecho del gabinete cuando la puerta se abre hacia la derecha. El siguiente diagrama muestra el procedimiento de instalación.



## Cambio del sentido de la puerta



- |  |  |
|--|--|
| 1. Cubierta del orificio de la bisagra superior    | 11. Separador de tope de la puerta                 |
| 2. Clavija y tornillo de la cubierta de la bisagra | 12. Separador del orificio superior de la puerta   |
| 3. Cubierta de la bisagra superior                 | 13. Puerta de vidrio                               |
| 4. Tornillo de la bisagra superior                 | 14. Cierrapuertas                                  |
| 5. Bisagra superior                                | 15. Tornillo                                       |
| 6. Cubierta frontal (zócalo)                       | 16. Tornillo del interruptor magnético             |
| 7. Tornillo de la cubierta frontal                 | 17. Interruptor magnético                          |
| 8. Tornillo de la bisagra inferior                 | 18. Bisagra inferior izquierda (pieza de repuesto) |
| 9. Bisagra inferior derecha                        | 19. Tapa del orificio del tornillo                 |
| 10. Separador de tope de la puerta                 |  |

## Pasos para cambiar de sentido la puerta

1. Quite el zócalo (cubierta frontal)
2. Quite el taquete de plástico del centro de la cubierta de la bisagra (n.º 3).
3. Quite el tornillo del centro de la cubierta de la bisagra (n.º 2).
4. Quite la cubierta de la bisagra (n.º 3).
5. Quite la cubierta cuadrada del lado izquierdo (n.º 1).
6. Afloje y quite los 3 tornillos de la bisagra superior de la puerta (n.º 4 y n.º 5).  
**NOTA:** Sostenga la puerta mientras afloja y quita la bisagra superior, para evitar que se caiga y se dañe, así como para evitar daño corporal.
7. Levante la puerta y recuéstela en el piso.
8. Afloje y quite los tornillos que mantienen el cierrapuertas de plástico fijo en la puerta (n.º 14 y n.º 15).
9. Quite el separador de plástico de la puerta del orificio superior derecho (n.º 12).
10. Quite la tapa del orificio del tornillo pequeño que se encuentra colocada (n.º 19).
11. Afloje y quite el interruptor magnético de la parte inferior central de la puerta (n.º 16 y n.º 17) y vuelva a colocarlo en la parte superior central de la puerta.
12. Afloje y quite los 4 tornillos que sostienen la bisagra inferior derecha de la puerta.
13. Quite la bisagra inferior derecha de la puerta.
14. Afloje y quite el tornillo que mantiene el cierrapuertas de plástico unido a la bisagra inferior derecha de la puerta (n.º 10 y n.º 11).
15. Fije y apriete el cierrapuertas de plástico que se quitó en el paso 13 a la bisagra inferior izquierda de la puerta incluida en la bolsa de accesorios que se encuentra dentro de la unidad.
16. Fije y apriete la bisagra inferior izquierda de la puerta a la unidad, con los tornillos que se quitaron en el paso 8.
17. Tome la puerta de manera que la manija ahora quede del lado derecho frente a usted y recuéstela sobre el piso.
18. Inserte el separador de plástico de la puerta que se quitó en el paso 9 en el orificio superior izquierdo de la puerta.
19. Fije en la puerta el cierrapuertas de plástico que se quitó en el paso 8.
20. Alinee el orificio inferior izquierdo de la puerta con el perno de la bisagra inferior izquierda de la puerta.
21. Deslícelo suavemente hasta que quede colocado.
22. Tome la bisagra superior de la puerta que se quitó en el paso 6.
23. Alinee el perno de la bisagra superior de la puerta con el orificio superior izquierdo de la puerta.
24. Tome los 3 tornillos que se quitaron en el paso 6, colóquelos en los orificios de la unidad y apriételes. **Nota:** Aún no los apriete completamente.
25. Asegúrese de que la parte superior de la puerta esté nivelada con la parte superior del gabinete.
26. Una vez nivelada, apriete completamente los tornillos que mantienen la bisagra superior de la puerta colocada.
27. Vuelva a colocar la cubierta de la bisagra superior que se quitó en el paso 4.
28. Apriete la cubierta de la bisagra a la unidad con el tornillo que se quitó en el paso 3.
29. Vuelva a colocar el taquete de la cubierta del tornillo que se quitó en el paso 2.
30. Vuelva a colocar la cubierta cuadrada que se quitó en el paso 5 en los orificios para tornillo en el lado derecho de la cubierta superior.
31. Vuelva a colocar la tapa del orificio del tornillo pequeño que se quitó en el paso 10.
32. Fije y apriete el zócalo (cubierta frontal) en la unidad con los tornillos que se quitaron en el paso 1

## Características y uso del enfriador de bebidas

### Configuración inicial

Una vez que haya conectado la unidad en un tomacorriente eléctrico, déjela funcionando durante al menos 30 minutos para que se aclimate antes de realizar cualquier ajuste. La pantalla de LED mostrará la temperatura interna actual.

### Ajustes de temperatura:

- El enfriador de bebidas puede configurarse a cualquier temperatura entre 3.8 y 16.6 °C (39 y 62 °F), para ajustarse sus requisitos de almacenamiento. Para configurar la temperatura, mantenga oprimido el botón "Set" (configurar) durante 3 segundos aproximadamente. Observará que la pantalla de temperatura parpadea.

Fig. 1



### Modo Sabbat

- Oprima los botones "^" y "v" al mismo tiempo durante 3 segundos, la alarma sonará una vez y el panel de pantalla parpadeará 5 veces y se detendrá. Esto indica que la unidad ha entrado en modo Sabbat. En este modo, las funciones de enfriamiento normales siguen operando (compresor, válvula magnética, ventilador), pero todo el equipo de iluminación, incluido el panel de la pantalla y el LED, se apagará sin importar si la puerta está abierta o cerrada. Oprima "^" y "v" al mismo tiempo durante 3 segundos, después de que el panel de pantalla haya parpadearado 5 veces, puede salir del modo Sabbat.

### Sistema de alarma

**Alarma por puerta entreabierta:** Si la puerta de la unidad se deja entreabierta mucho tiempo, tanto que afecte demasiado la temperatura, el sistema emitirá una alarma. Si desea detenerla, oprima el botón "SET".

### Capacidad

La capacidad del enfriador de bebidas es de 150 latas. La cantidad puede variar según el tipo o el tamaño del enfriador de bebidas y de las latas.

## Repisas

- Las repisas están diseñadas con fines estéticos y para facilitar la limpieza.
- Las repisas de vidrio son 3, para guardar y sacar fácilmente las bebidas.
- La repisa de vidrio intermedia puede plegarse y colocarse de tres formas distintas, a fin de ajustarse a los diferentes tamaños de las botellas de bebidas. El siguiente diagrama ilustra las formas de almacenamiento recomendadas.



## Conversión de °F a °C

Oprima "°F/°C" y manténgalo oprimido durante 3 segundos, la temperatura mostrada en grados Fahrenheit y el símbolo de °F cambiarán a la temperatura en grados Celsius y al símbolo de "°C". Oprima "°F/°C" y manténgalo oprimido durante 3 segundos de nuevo; la temperatura mostrada en grados Celsius y el símbolo de "°C" cambiarán a la temperatura en grados Fahrenheit y al símbolo de °F.

## Luz interior

- Para contribuir a la apariencia de su colección, se ha integrado una luz tenue en el enfriador de bebidas. Sólo presione el botón "Light" (luz) y la luz se encenderá; presione de nuevo para apagarla. Para obtener el mejor rendimiento energético, mantenga la luz apagada cuando no esté viendo la colección.
- Cuando la puerta está abierta, la luz se encenderá. Tras cerrar la puerta, la luz se apagará.

## Botón de encendido

- Puede apagar el enfriador de bebidas cuando no necesite tenerlo en funcionamiento. Para hacerlo, oprima el botón "Power" (encendido) durante 3 segundos. Esto apagará el compresor, la válvula de electromagnetismo y el panel de pantalla. También se puede encender de nuevo oprimiendo el botón "Power" rápidamente. La luz interior del enfriador de bebidas se encenderá si abre la puerta aún cuando esté apagado, a fin de que pueda acceder a las bebidas más fácilmente.

## Sonidos normales del funcionamiento que puede llegar a escuchar

- Sonidos de agua hirviendo, borboteos o vibraciones leves que se producen debido a la circulación del refrigerante a través de las bobinas de enfriamiento.
- El control del termostato hará clic cuando inicie o finalice el ciclo.

# Cuidado y limpieza adecuados del enfriador de bebidas

## Limpieza y mantenimiento

### ADVERTENCIA:



Para evitar una descarga eléctrica, siempre desconecte el enfriador de bebidas antes de limpiarlo. Ignorar esta advertencia puede producir la muerte o lesiones.

### PRECAUCIÓN:



Antes de usar productos de limpieza, lea y siga siempre las instrucciones y advertencias del fabricante a fin de evitar lesiones personales o daño del producto.

### General:

- Prepare una solución limpiadora de 3 a 4 cucharadas de bicarbonato de sodio mezclado con agua tibia. Limpie el enfriador de bebidas con una esponja o un paño suave humedecido con la solución limpiadora.
- Enjuague con agua tibia limpia y seque con un paño suave.
- No utilice sustancias químicas fuertes, abrasivos, amoníaco, blanqueador a base de cloro, detergentes concentrados, solventes o fibras metálicas. Algunas de estas sustancias químicas pueden deshacer, dañar y/o cambiar el color del enfriador de bebidas.

### Empaques de la puerta:

- Limpie los empaques de la puerta cada tres meses de acuerdo con las instrucciones generales. Los empaques deben mantenerse limpios y flexibles para asegurar que sellen correctamente.
- Aplique gel de petróleo ligeramente en el lado del empaque de las bisagras para mantener el empaque flexible y asegurar que selle correctamente.

## Interrupciones del suministro eléctrico

- En ocasiones, puede haber interrupciones del suministro eléctrico debido a tormentas u otros motivos. Retire el cable de suministro eléctrico del tomacorriente de CA cuando ocurra un apagón. Cuando la corriente se haya restablecido, vuelva a enchufarlo.

## Cuidado en vacaciones y mudanzas

- En caso de vacaciones o ausencias largas, saque los alimentos del enfriador de bebidas y límpielo, incluidos los empaques de la puerta, de acuerdo con lo mencionado en la sección "Limpieza general". Deje la puerta abierta, para que pueda circular aire adentro.
- Durante las mudanzas, traslade el enfriador de bebidas siempre en posición vertical. No lo mueva con la unidad boca abajo, ya que esto podría dañar el sistema de sellado.

Nota: Después de mover el enfriador de bebidas, espere 24 horas antes de enchufarlo.

# Solución de problemas

## **El enfriador de bebidas no funciona:**

- Verifique que el enfriador de bebidas esté conectado.
- Compruebe que haya energía en el tomacorriente de CA, verificando el interruptor de carga.

## **La temperatura de los alimentos parece estar demasiado templada:**

- La puerta se abre con frecuencia.
- Concédale tiempo al producto que acaba de meter para que alcance la temperatura deseada.
- Verifique que los empaques sellen correctamente.
- Limpie la cubierta frontal.
- Ajuste el control de la temperatura a un nivel más frío.

## **El enfriador de bebidas enfría demasiado:**

- Si el nivel del control de la temperatura es demasiado frío, ajústelo a uno más templado.

## **Si el enfriador de bebidas funciona con demasiada frecuencia:**

- Esto puede ser normal para mantener la temperatura constante durante los días húmedos y con alta temperatura.
- La puerta pueden haberse abierto con frecuencia o durante un período de tiempo prolongado.
- Limpie la cubierta frontal.
- Verifique que los empaques sellen correctamente.
- Verifique que la puerta esté completamente cerrada.

## **Se acumula humedad en el interior o exterior del enfriador de bebidas:**

- Esto es normal durante períodos de mucha humedad.
- La puerta se abre con frecuencia o durante períodos prolongados.
- Verifique que los empaques de la puerta sellen correctamente.

## **La puerta del enfriador de bebidas no cierra correctamente:**

- Nivele el enfriador de bebidas.
- Verifique que no haya alguna obstrucción, por ejemplo, a causa de las bebidas.

# Garantía limitada

## ¿Qué cubre y por cuánto tiempo?

Esta garantía cubre todos los defectos de fabricación o de materiales durante un período de:

**1 año en partes (únicamente en el taller)**

**1 año en mano de obra (únicamente en el taller)**

**5 años en el sistema sellado (únicamente en el taller)**

La garantía entra en vigor en la fecha en que se compró el producto y el recibo original de compra debe presentarse en el centro de servicio autorizado antes de que se lleven a cabo las reparaciones de garantía.

## EXCEPCIONES: Garantía de uso comercial o de renta

**90 días en mano de obra**

**(únicamente en el taller)**

**90 días en partes**

**No aplica ninguna otra garantía.**

## ¿Qué cubre?

1. Las partes mecánicas y eléctricas cuyo objetivo es poner en funcionamiento este aparato, por un período de 1 año. Esto incluye todas las partes, excepto la terminación y el acabado.
2. Los componentes del sistema sellado, por ejemplo, el compresor hermético, el condensador y el evaporador por defectos de fabricación, por un período de 5 años a partir de la fecha de compra. No se cubrirá ningún daño a dichos componentes producido por maltrato mecánico, manipulación o transporte inadecuados.

## ¿Qué se hará?

1. Repararemos o reemplazaremos, a nuestro criterio, cualquier parte mecánica o eléctrica que resulte estar defectuosa por uso normal durante el período de garantía especificado.
2. No se le cobrará al comprador las partes y la mano de obra de ningún artículo cubierto durante el período inicial de 1 año. Después de dicho período, la garantía restante sólo cubre las partes. No

incluye la mano de obra y el cliente deberá pagarla.

3. Comuníquese con el servicio de atención a clientes: 1-866-927-4833.

## ESTA GARANTÍA CUBRE APARATOS DENTRO DE ESTADOS UNIDOS CONTINENTAL, PUERTO RICO Y CANADÁ. NO CUBRE LO SIGUIENTE:

Daños por instalación inadecuada.

Daños producidos en el envío.

Defectos distintos a los de fabricación.

Daño por uso incorrecto, maltrato, accidente, alteración, falta de cuidado y mantenimiento adecuados, o corriente o voltaje incorrectos.

Daño por uso distinto al doméstico.

Daño por un servicio brindado por alguien distinto a un distribuidor o centro de servicio autorizado.

Acabados decorativos o bombillas reemplazables.

Transporte y envío.

Mano de obra (después del primer año).

**ESTA GARANTÍA LIMITADA SE OTORGA EN LUGAR DE CUALQUIER OTRA GARANTÍA, EXPRESA O, INCLUSO LAS GARANTÍAS DE COMERCIALIZACIÓN E IDONEIDAD PARA UN FIN PARTICULAR.**

La solución ofrecida en esta garantía es exclusiva y se otorga en lugar de cualquier otra solución.

Esta garantía no cubre daños incidentales o derivados, de modo que es posible que las limitaciones anteriores no apliquen en su caso. Algunos estados no permiten limitaciones sobre la duración de una garantía implícita, de modo que es posible que las limitaciones anteriores no apliquen en su caso.

Esta garantía le otorga derechos legales específicos; usted puede tener otros derechos, que varían en cada estado.

New York, NY 10018





# IMPORTANT

## Do Not Return This Product To The Store

If you have a problem with this product, please contact the "Haier Customer Satisfaction Center" at 877.337.3639.  
DATED PROOF OF PURCHASE REQUIRED FOR WARRANTY SERVICE

# IMPORTANT

## Ne pas Réexpédier ce Produit au Magasin

Pour tout problème concernant ce produit, veuillez contacter le service des consommateurs "Haier Customer Satisfaction Center" au 1-877-337-3639.  
UNE PREUVE D'ACHAT DATEE EST REQUISE POUR BENEFICIER DE LA GARANTIE

# IMPORTANTE

## No regrese este producto a la tienda

Si tiene algún problema con este producto, por favor contacte el "Centro de Servicio al Consumidor de Haier" al 1-877-337-3639 (Válido solo en E.U.A).  
NECESITA UNA PRUEBA DE COMPRA FECHADA PARA EL SERVICIO DE LA GARANTIA

[www.HaierAmerica.com](http://www.HaierAmerica.com)

Model # BC100GS  
Issued Date: December 2011  
Printed in China

115 V, 60 Hz  
Made in China  
Fabriqué en Chine  
Hecho en China

Haier America  
New York, NY 10018  
©2011 Haier America Trading, LLC.