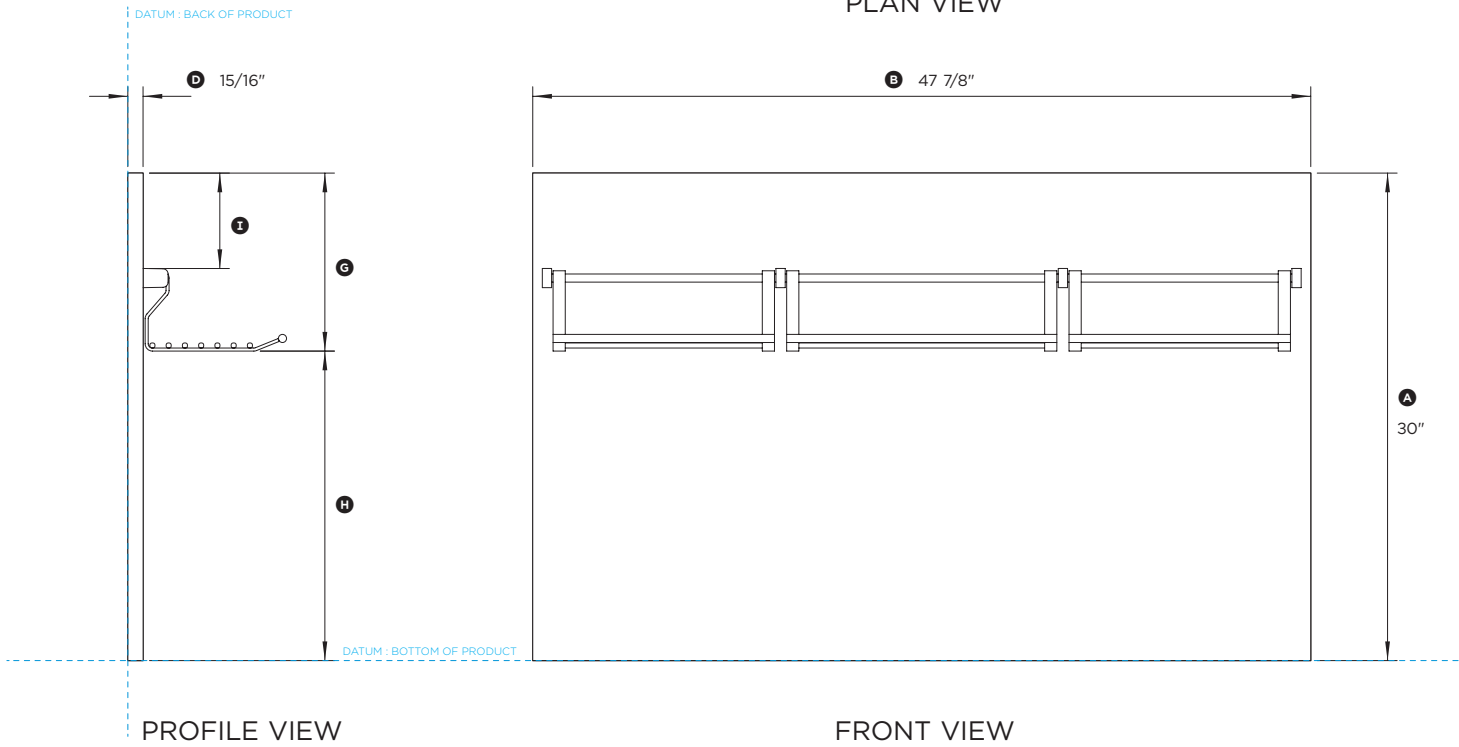
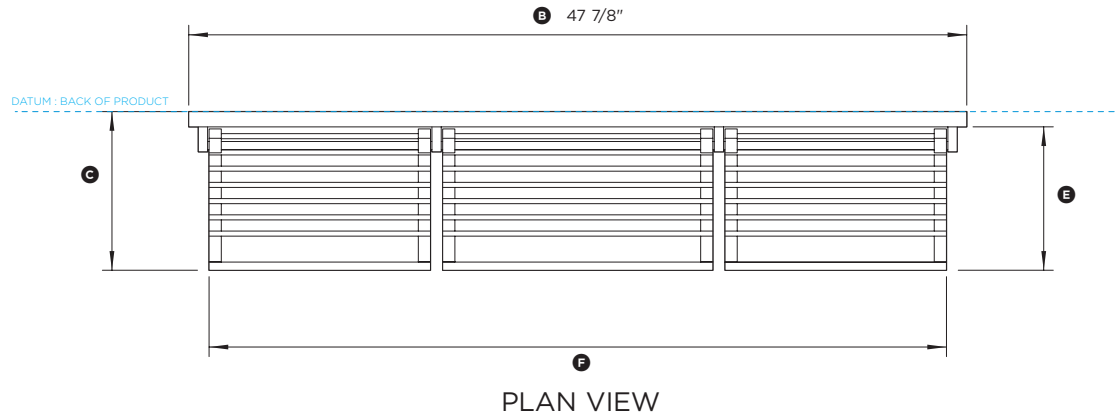
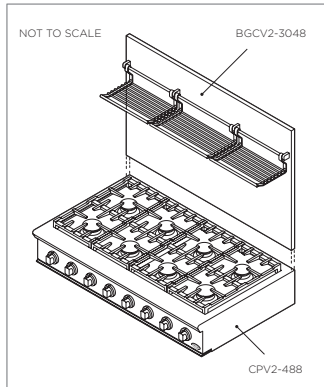


Data Sheet

48" Professional Cooktop Backguard



Model no:

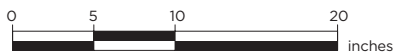
BGCV2-3048 (refer page 2 for metric measurements)

Product Dimensions	in
Ⓐ Overall height of backguard	30"
Ⓑ Overall width of backguard	47 7/8"
Ⓒ Overall depth of backguard and racks	9 3/4"
Ⓓ Depth of backguard	15/16"
Ⓔ Depth of racks	8 13/16"
Ⓕ Width of racks	45 3/8"
Ⓖ Distance from top of backguard to bottom of racks	10 15/16"
Ⓗ Distance from bottom of backguard to bottom of racks	19 1/16"
Ⓙ Distance from top of backguard to top of brackets	5 7/8"

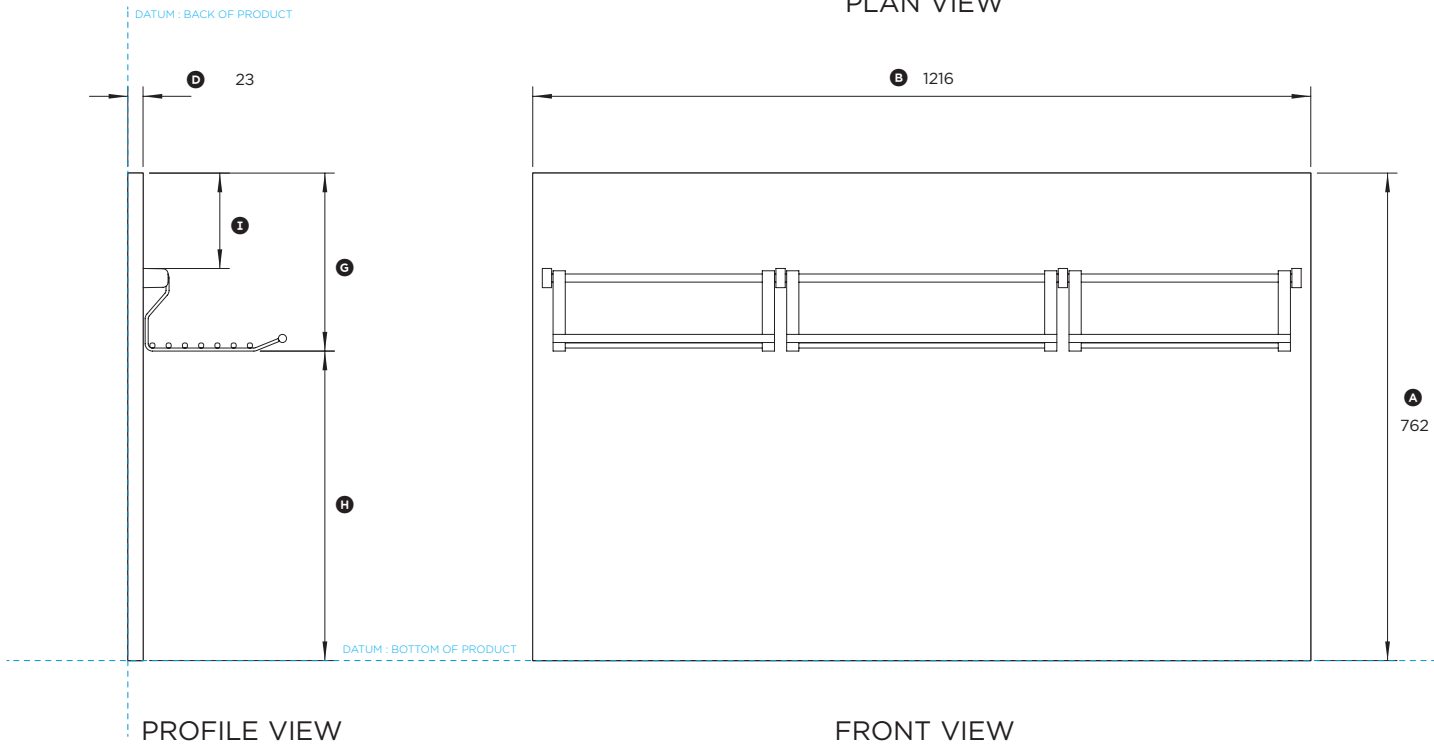
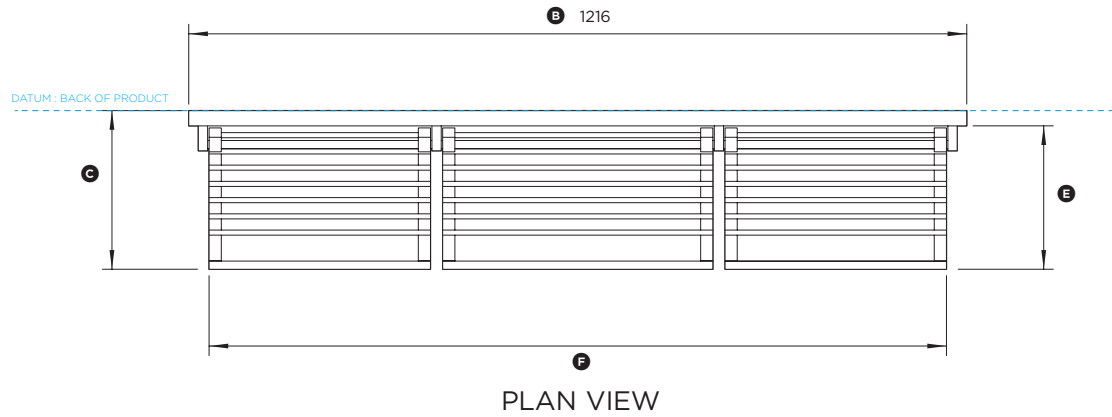
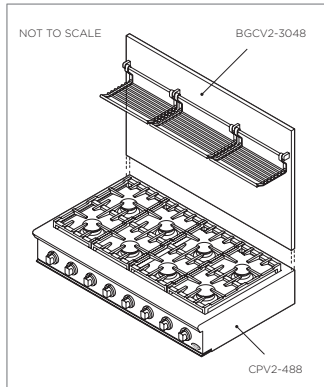
INDICATES PRODUCT DATUM

DATE: 05.05.2016

IMPORTANT NOTE: Throughout this guide, dimensions may vary by ±2mm (3/32"). Please read the installation manual for detailed information on installing the product. For full installation instructions & specifications visit dcsappliances.com



Data Sheet



48" Professional Cooktop Backguard

Model no:

BGCV2-3048 (refer page 1 for imperial measurements)

Product Dimensions	mm
Ⓐ Overall height of backguard	762
Ⓑ Overall width of backguard	1216
Ⓒ Overall depth of backguard and racks	248
Ⓓ Depth of backguard	23
Ⓔ Depth of racks	224
Ⓕ Width of racks	1153
Ⓖ Distance from top of backguard to bottom of racks	278
Ⓗ Distance from bottom of backguard to bottom of racks	484
Ⓘ Distance from top of backguard to top of brackets	150

INDICATES PRODUCT DATUM -----

DATE: **05.05.2016**

IMPORTANT NOTE: Throughout this guide, dimensions may vary by $\pm 2\text{mm}$ ($3/32''$). Please read the installation manual for detailed information on installing the product. For full installation instructions & specifications visit dcsappliances.com

