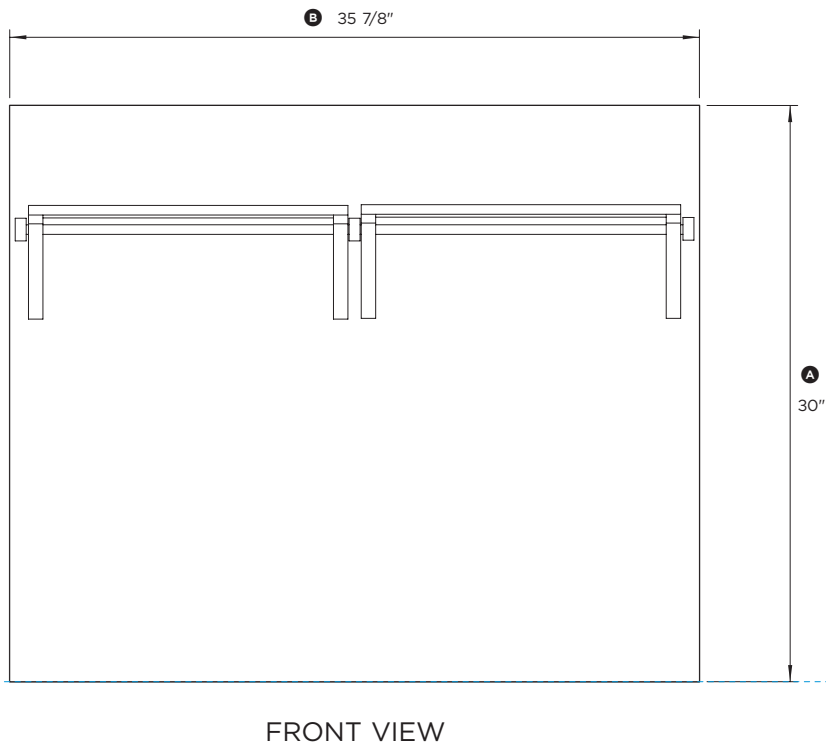
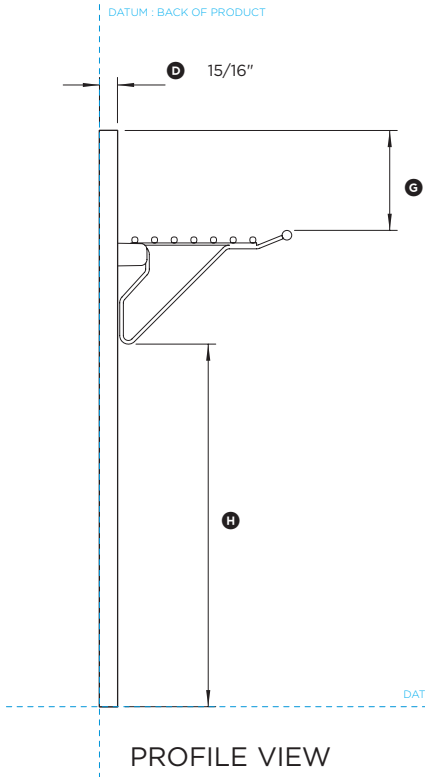
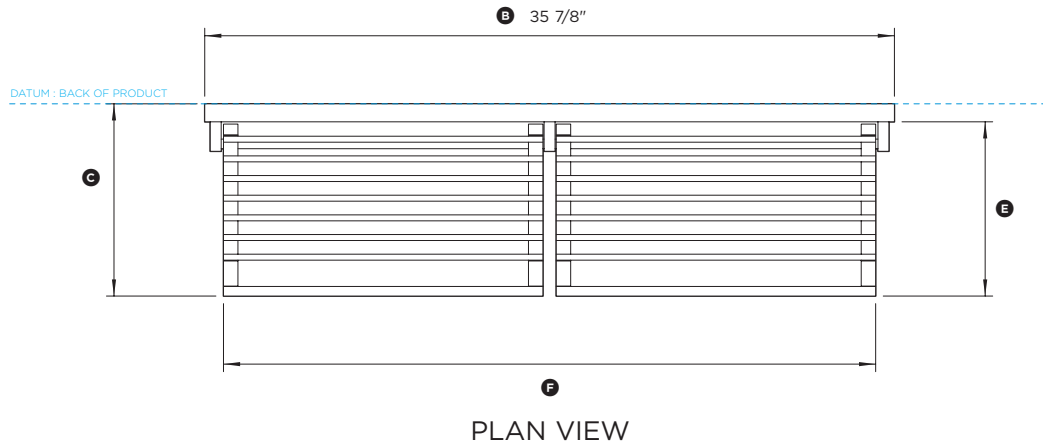
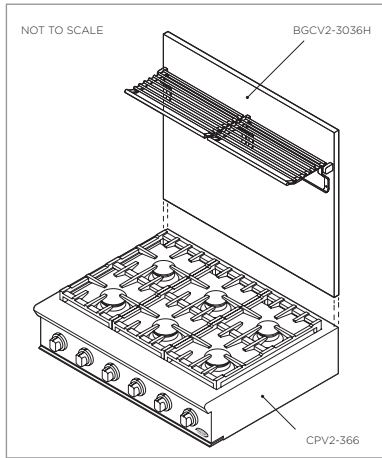


## Data Sheet



## 36" Professional Cooktop Backguard

Model no:

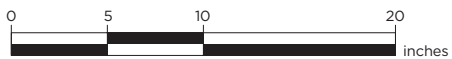
**BGCV2-3036H** (refer page 2 for metric measurements)

Product Dimensions	in
Ⓐ Overall height of backguard	30"
Ⓑ Overall width of backguard	35 7/8"
Ⓒ Overall depth of backguard and racks	10"
Ⓓ Depth of backguard	15/16"
Ⓔ Depth of racks	9 1/16"
Ⓕ Width of racks	33 15/16"
Ⓖ Distance from top of backguard to top of racks	5 3/8"
Ⓗ Distance from bottom of backguard to bottom of racks	18 7/8"

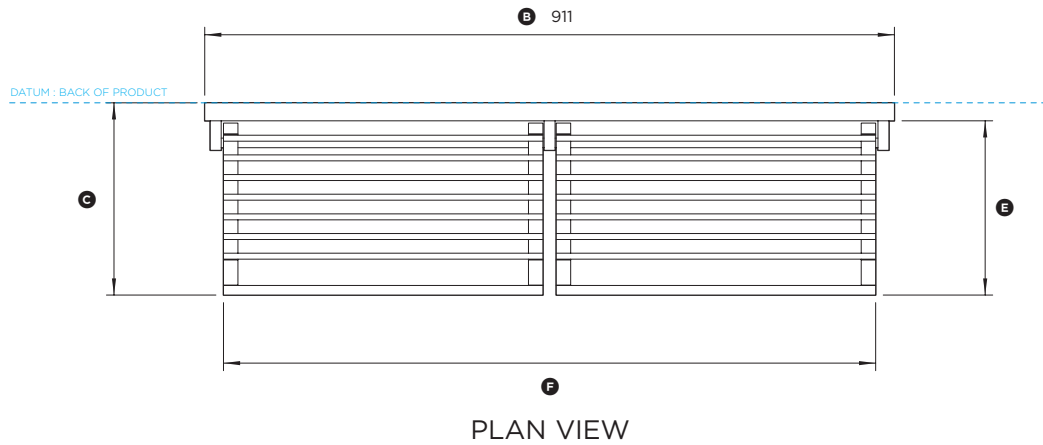
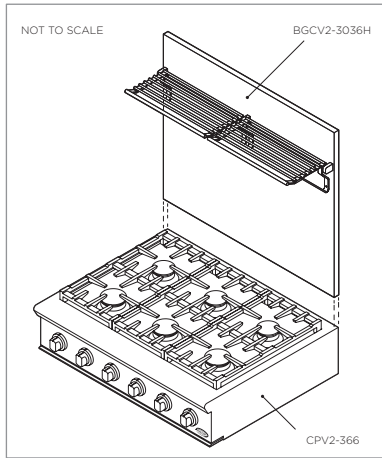
INDICATES PRODUCT DATUM -----

DATE: **04.05.2016**

IMPORTANT NOTE: Throughout this guide, dimensions may vary by  $\pm 2\text{mm}$  ( $3/32"$ ). Please read the installation manual for detailed information on installing the product. For full installation instructions & specifications visit [dcsappliances.com](http://dcsappliances.com)



## Data Sheet

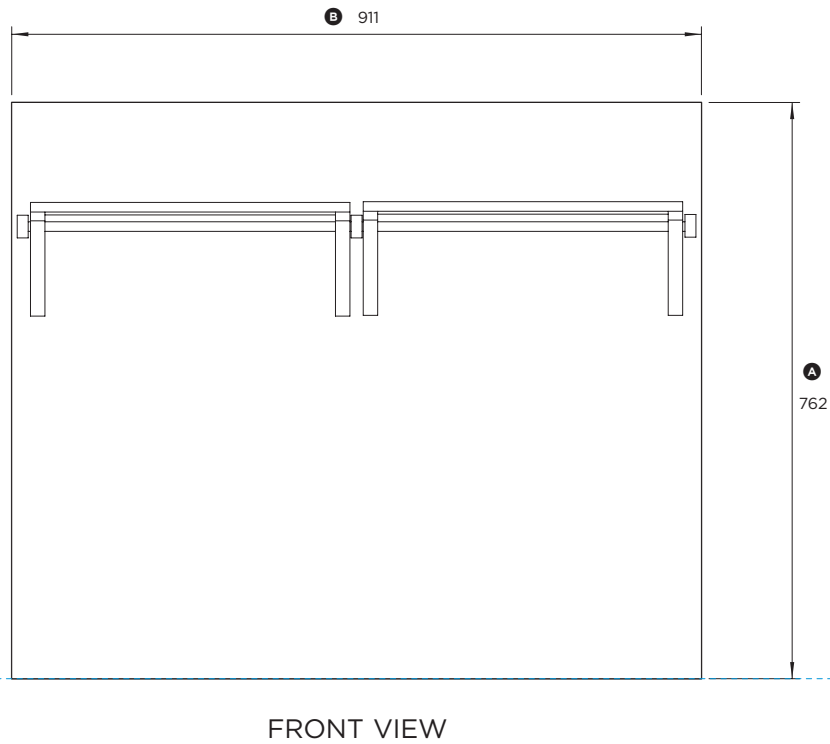
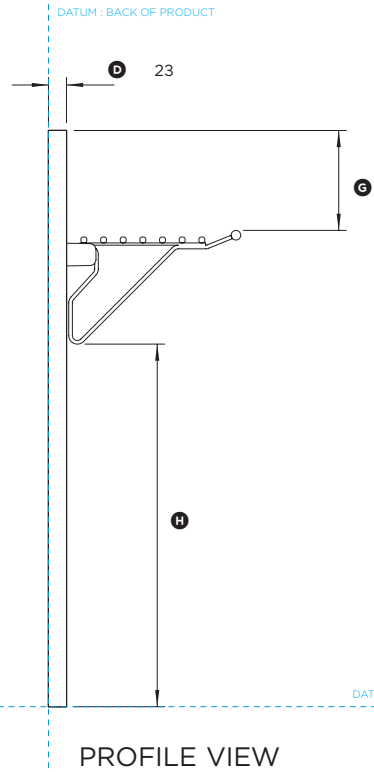


## 36" Professional Cooktop Backguard

Model no:

**BGCV2-3036H** (refer page 1 for imperial measurements)

Product Dimensions	mm
Ⓐ Overall height of backguard	762
Ⓑ Overall width of backguard	911
Ⓒ Overall depth of backguard and racks	254
Ⓓ Depth of backguard	23
Ⓔ Depth of racks	230
Ⓕ Width of racks	862
Ⓖ Distance from top of backguard to top of racks	136
Ⓗ Distance from bottom of backguard to bottom of racks	480



INDICATES PRODUCT DATUM -----

DATE: **04.05.2016**

IMPORTANT NOTE: Throughout this guide, dimensions may vary by  $\pm 2$ mm (3/32"). Please read the installation manual for detailed information on installing the product. For full installation instructions & specifications visit [dcsappliances.com](http://dcsappliances.com)

