

FF41ESADA

32.0" x 18.75" x 20.25" (H x W x D)

Compact refrigerator-freezer with ADA compliant counter height; auto defrost and white exterior

Highlights:

32 inches high to meet ADA guidelines for lower counter height

Door storage provides ample room for large bottles

Made in North America

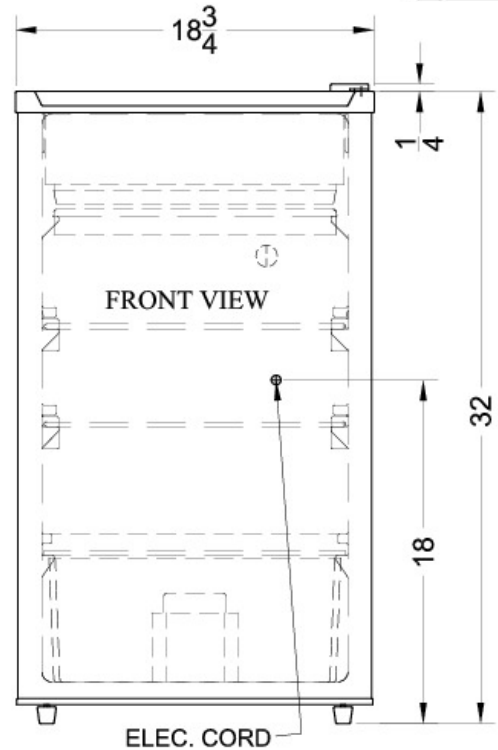
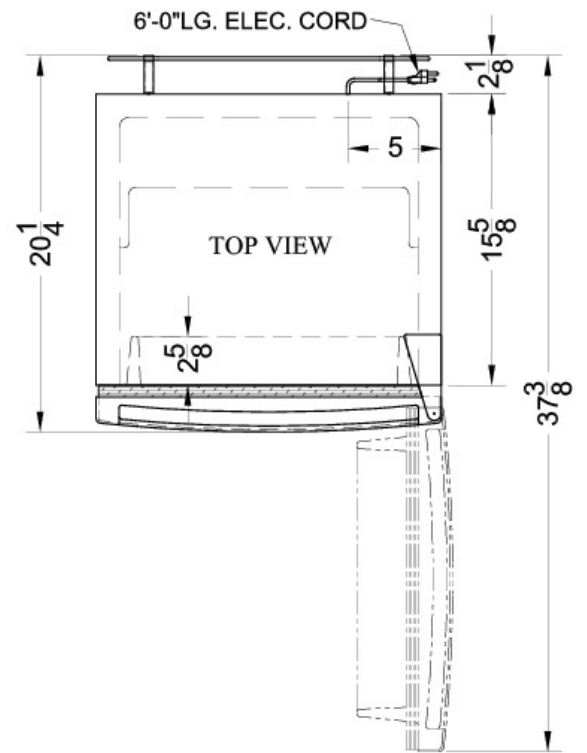
Save time and energy with automatic defrost



ADA Compliant	32 inch height is designed to meet ADA guidelines for lower counter height
Automatic defrost	No-frost system simplifies maintenance in both refrigerator and freezer
Fully finished white cabinet	Allows the unit to be used freestanding
Reversible door	Keep your options flexible with a reversible door that is easy to switch when your arrangement changes
Adjustable thermostat	Manage the temperature with ease and accuracy
Crisper drawer	Get the longest life and best taste out of produce by storing greens in lower slide drawer
Adjustable shelves	Rearrange the refrigerator space to fit any sized item or remove shelves for simple cleanup
Door shelves	Store large bottles right on the door for easy access
Slim counter height dimensions	Less than 19 inches wide for easy placement in tight locations
100% CFC free	Environmentally friendly design does not contain ozone-damaging chemicals

Specifications:

Height	32.0"
Width	18.75"
Depth	20.25"
Capacity	3.6 cu.ft.
Ext Depth with Handle	20.25"
Shipping Weight	95.0 lbs.
Energy Usage/Year	310.0 kWh/year
Amps	0.8
Voltage/Frequency	115 V AC/60 Hz
US Electrical Safety	UL
Canadian Electrical Safety	ULC
Reversible	Yes
Door Swing	RHD
Crisper Quantity	1
Shelf Quantity	2
Adjustable Shelf	true
Shelf Type	Wire
Crisper Cover Type	Glass
Crisper Finish	Transparent
Full Door Shelf Quantity	3
Defrost Type	Automatic
Height to Hinge Cap	32.5"
Depth with door at 90°	37.38"
Thermostat Type	Dial
Level Legs Quantity	2
High Side PSI	235.0
Low Side PSI	140.0
Refrigerant Type	R134a
Parts/Labor Warranty	1 Year
Compressor Warranty	5 Years



Summit Appliances Division, Felix Storch, Inc.
 770 Garrison Ave • Bronx, NY 10474
 Phone: 718-893-3900 • Fax: 718-842-3093
 Email: info@summitappliance.com