



MODELS SHOWN: T24UR800DP DOUBLE DRAWER REFRIGERATORS, T24UW800RP WINE RESERVE, MD24JS DRAWER MICROWAVE AND T36IT800NP FRENCH DOOR REFRIGERATORS

REFRIGERATION UNDER-COUNTER

The Thermador® under-counter refrigeration collection brings complete freedom to the culinary enthusiast. The collection offers a wine reserve and a double drawer refrigerator.

Our fully flush models integrate seamlessly into 24" depth cabinetry and feature exclusive SoftClose® hinges and slides. Choose from Professional or Masterpiece® stainless steel options or design your own custom panel. This innovative collection extends the range of design possibilities inside the kitchen and out.



ALL UNDER-COUNTER REFRIGERATION UNITS INCLUDE THESE FEATURES

★ SOFTCLOSE® DOORS AND DRAWERS

The exclusive, innovative hinge and advanced slide provide a new level of luxury with a gentle, automatic close.

LED LIGHTING

Brighter, whiter, LED lighting illuminates stored items—so that all food can be seen—and nothing remains overlooked or forgotten.

TOUCH ELECTRONIC CONTROLS

The full-width touch control panel offers precision temperature control and elegant aesthetics. A digital display and LED's clearly showcase the selected functions.



WINE RESERVE WITH GLASS DOOR FEATURE HIGHLIGHTS

FULL-EXTENSION WINE RACKS

Removable and cantilevered for adjustability, full-extension racks enhance the experience of pulling out your favorite vintage. Capped with aluminum fronts of the highest grade, the wenge hardwood racks are the ultimate luxury.

DUAL ZONE WINE STORAGE

Two adjustable zones, perfect for keeping wine at the appropriate temperatures for serving or aging.

★ SOFTCLOSE® DOORS

The exclusive, innovative door hinges provide a new level of luxury with a gentle, automatic close. Robust and versatile, the hinge allows for a 115° door opening and can be positioned to stop at a 90° angle.

UV RESISTANT GLASS

Tinted to match the Thermador® family of products and tempered for strength, this special door suppresses dangerous ultraviolet rays that can prematurely age fine wine.

DOOR OPEN ALARM

When the door is left ajar and the temperature drops below the preferred setting, the alarm will alert you of a status change from the original setting.

★ THERMADOR EXCLUSIVE

DOUBLE DRAWER REFRIGERATOR FEATURE HIGHLIGHTS

CUSTOMIZABLE COOLING MODES

Drawers feature three easy, customizable cooling modes. A mode for every-day refrigerator items, a warmer pantry or cellar mode and a bar mode for super-chilled beverages.

CUSTOMIZABLE DRAWER DIVIDERS & SHELVING

Removable and completely customizable, robust aluminum dividers keep drawer contents neatly tucked in place. They can also be reconfigured to create custom shelving which provides two levels of drawer storage and room for platters. When using the unit as an extension to your refrigeration entertainment needs, configure the dividers to hold wine or beverage bottles for your guests.

QUICK CHILL

Crucial for optimal freshness, quick chill rapidly cools new items and helps minimize temperature fluctuations—keeping food crisp and delicious.

REMOVABLE DRAWER MAT

Each drawer includes a flexible and durable mat to ensure bottles and other delicate items do not slide when the drawer is opened and closed. This specially designed mat is removable for easy cleaning.

★ SOFTCLOSE® DRAWERS

The exclusive, innovative drawer slides provide a new level of luxury with a gentle, automatic close.



T24UW820LS / T24UW820RS

UNDER-COUNTER WINE RESERVE WITH GLASS DOOR

PROFESSIONAL SERIES HANDLE



Also Available:

- T24UW810LS - Left Hand Door Swing with Masterpiece® Series Handle
- T24UW810RS - Right Hand Door Swing with Masterpiece® Series Handle
- T24UW800LP - Right Hand Door Swing, Custom Panel Ready
- T24UW800RP - Left Hand Door Swing, Custom Panel-Ready

FEATURES & BENEFITS

- Dual zone wine storage with adjustable temperature zones
- Full-extension wine racks
- UV resistant tempered glass door
- ★ - SoftClose® door hinges for ultra-smooth closing of the door
- LED theater lighting
- Touch electronic controls for precise temperature management

GENERAL PROPERTIES

Panel Ready	N/A
UV Resistant Glass Door	Yes
Reversible Door Swing	Left and Right Available
SoftClose® Door Hinges	Yes
Lighting	Adjustable LED Lighting
Full Width Shelves	6
Shelf Material	Wenge Hardwood w/ Aluminum Front Caps
Full Extension Wine Racks	Yes
Dual Zone Wine Storage	Yes
Door Open Alarm	Yes
Touch Electronic Controls	Yes

CAPACITY

Number of Bottles	41
-------------------	----

TEMPERATURE RANGES

Upper Zone	40°F (3°C) to 52°F (10°C)
Lower Zone	52°F (11°C) to 64°F (18°C)

TECHNICAL DETAILS

Watts (W)	149.5 W
Current (A)	15 or 20 Amp
Volts (V)	115 V
Frequency (Hz)	60 Hz
Power Cord Length (in.)	50"
Plug Type	120V 3-Wire

DIMENSIONS & WEIGHT

Appliance Dimensions (H x W x D) (in.)	34 1/2"* x 23 7/8" x 23 7/8"
Required Cutout Size (H x W x D) (in.)	34-35" x 24" x 24"
Net / Gross Weight (lbs)	192 / 205 lbs

EFFICIENCY

Annual Energy Consumption	227 kWh
---------------------------	---------

WARRANTY

Limited, Entire Appliance, Parts and Labor on Any Part of the Refrigerator that Fails Because of a Manufacturing Defect	2 Year
Limited Warranty for Sealed Refrigeration System**; Parts and Labor	3rd to 6th Year
Limited Warranty for Sealed Refrigeration System*; Parts Only	7th to 12th Year

*Height Adjustable + / -1/2" (+ / -13 mm)

**Sealed refrigeration system includes compressor, evaporator, condenser, dryer / strainer and connection tubing

T24UW810LS / T24UW810RS

UNDER-COUNTER WINE RESERVE WITH GLASS DOOR

MASTERPIECE® SERIES HANDLE



Also Available:

- T24UW820LS - Left Hand Door Swing with Professional Series Handle
- T24UW820RS - Right Hand Door Swing with Professional Series Handle
- T24UW800LP - Right Hand Door Swing, Custom Panel Ready
- T24UW800RP - Left Hand Door Swing, Custom Panel-Ready

FEATURES & BENEFITS

- Dual zone wine storage with adjustable temperature zones
- Full-extension wine racks
- UV resistant tempered glass door
- ★ - SoftClose® door hinges for ultra-smooth closing of the door
- LED theater lighting
- Touch electronic controls for precise temperature management

GENERAL PROPERTIES

Panel Ready	N/A
UV Resistant Glass Door	Yes
Reversible Door Swing	Left and Right Available
SoftClose® Door Hinges	Yes
Lighting	Adjustable LED Lighting
Full Width Shelves	6
Shelf Material	Wenge Hardwood w/ Aluminum Front Caps
Full Extension Wine Racks	Yes
Dual Zone Wine Storage	Yes
Door Open Alarm	Yes
Touch Electronic Controls	Yes

CAPACITY

Number of Bottles	41
-------------------	----

TEMPERATURE RANGES

Upper Zone	40°F (3°C) to 52°F (10°C)
Lower Zone	52°F (11°C) to 64°F (18°C)

TECHNICAL DETAILS

Watts (W)	149.5 W
Current (A)	15 or 20 Amp
Volts (V)	115 V
Frequency (Hz)	60 Hz
Power Cord Length (in.)	50"
Plug Type	120V 3-Wire

DIMENSIONS & WEIGHT

Appliance Dimensions (H x W x D) (in.)	34 1/2"* x 23 7/8" x 23 7/8"
Required Cutout Size (H x W x D) (in.)	34-35" x 24" x 24"
Net / Gross Weight (lbs)	192 / 205 lbs

EFFICIENCY

Annual Energy Consumption	227 kWh
---------------------------	---------

WARRANTY

Limited, Entire Appliance, Parts and Labor on Any Part of the Refrigerator that Fails Because of a Manufacturing Defect	2 Year
Limited Warranty for Sealed Refrigeration System**; Parts and Labor	3rd to 6th Year
Limited Warranty for Sealed Refrigeration System*; Parts Only	7th to 12th Year

*Height Adjustable + / -1/2" (+ / -13 mm)

**Sealed refrigeration system includes compressor, evaporator, condenser, dryer / strainer and connection tubing

T24UW800LP / T24UW800RP

UNDER-COUNTER WINE RESERVE WITH GLASS DOOR

CUSTOM PANEL-READY



Also Available:

T24UW820LS - Left Hand Door Swing with Professional Series Handle

T24UW820RS - Right Hand Door Swing with Professional Series Handle

T24UW810LS - Left Hand Door Swing with Masterpiece® Series Handle

T24UW810RS - Right Hand Door Swing with Masterpiece® Series Handle

FEATURES & BENEFITS

- Dual zone wine storage with adjustable temperature zones
- Full-extension wine racks
- UV resistant tempered glass door
- ★ - SoftClose® door hinges for ultra-smooth closing of the door
- LED theater lighting
- Touch electronic controls for precise temperature management

GENERAL PROPERTIES

Panel Ready	Yes
UV Resistant Glass Door	Yes
Reversible Door Swing	Left and Right Available
SoftClose® Door Hinges	Yes
Lighting	Adjustable LED Lighting
Full Width Shelves	6
Shelf Material	Wenge Hardwood w/ Aluminum Front Caps
Full Extension Wine Racks	Yes
Dual Zone Wine Storage	Yes
Door Open Alarm	Yes
Touch Electronic Controls	Yes

CAPACITY

Number of Bottles	41
-------------------	----

TEMPERATURE RANGES

Upper Zone	40°F (3°C) to 52°F (10°C)
Lower Zone	52°F (11°C) to 64°F (18°C)

TECHNICAL DETAILS

Watts (W)	149.5 W
Current (A)	15 or 20 Amp
Volts (V)	115 V
Frequency (Hz)	60 Hz
Power Cord Length (in.)	50"
Plug Type	120V 3-Wire

DIMENSIONS & WEIGHT

Appliance Dimensions (H x W x D) (in.)	34 1/2"* x 23 7/8" x 23 7/8"
Required Cutout Size (H x W x D) (in.)	34-35" x 24" x 24"
Net / Gross Weight (lbs)	192 / 205 lbs

EFFICIENCY

Annual Energy Consumption	227 kWh
---------------------------	---------

WARRANTY

Limited, Entire Appliance, Parts and Labor on Any Part of the Refrigerator that Fails Because of a Manufacturing Defect	2 Year
Limited Warranty for Sealed Refrigeration System**; Parts and Labor	3rd to 6th Year
Limited Warranty for Sealed Refrigeration System*; Parts Only	7th to 12th Year

*Height Adjustable + / -1/2" (+ / -13 mm)

**Sealed refrigeration system includes compressor, evaporator, condenser, dryer / strainer and connection tubing

T24UR820DS

UNDER-COUNTER DOUBLE DRAWER REFRIGERATOR

PROFESSIONAL SERIES HANDLE



Also Available:

- T24UR810DS - with Masterpiece® Series Handle
- T24UR800DP - Custom Panel-Ready

FEATURES & BENEFITS

- Customizable cooling modes—Fridge, Pantry and Bar
- ★ - SoftClose® drawers for ultra-smooth closing
- Customizable drawer dividers and shelving
- Quick Chill
- LED Lighting
- Drawer mats keep items from sliding and remove for easy cleaning
- Touch electronic controls for precise temperature management

GENERAL PROPERTIES

Panel Ready	N/A
SoftClose® Drawers	Yes
Lighting	LED Lighting
Customizable Aluminum Dividers / Shelving	Yes
Removable Drawer Mats	Yes
Full Extension Drawers	Yes
Drawer Open Alarm	Yes
Quick Chill	Yes
Touch Electronic Controls	Yes

CAPACITY

Total Unit Gross Capacity (cu. ft.) - AHAM	5 cu. ft.
--	-----------

TEMPERATURE RANGES

Refrigerator	33°F (0.5°C) to 58°F (14.5°C)
Pre-Set Cooling Modes	Refrigerator 37°F (3°C) Pantry 53°F (12°C) Bar 34°F (1°C)
Quick Chill	Yes

TECHNICAL DETAILS

Watts (W)	149.5 W
Current (A)	15 or 20 Amp
Volts (V)	115 V
Frequency (Hz)	60 Hz
Power Cord Length (in.)	50"
Plug Type	120V 3-Wire

DIMENSIONS & WEIGHT

Appliance Dimensions (H x W x D) (in.)	34 1/2"* x 23 7/8" x 23 7/8"
Required Cutout Size (H x W x D) (in.)	34-35" x 24" x 24"
Net / Gross Weight (lbs)	149 / 162 lbs

EFFICIENCY

ENERGY STAR® Qualified	No
Annual Energy Consumption	256 kWh

WARRANTY

Limited, Entire Appliance, Parts and Labor on Any Part of the Refrigerator that Fails Because of a Manufacturing Defect	2 Year
Limited Warranty for Sealed Refrigeration System*; Parts and Labor	7th to 12th Year
Limited Warranty for Sealed Refrigeration System*; Parts Only	7th to 12th Year

*Height Adjustable + / -1/2" (+ / -13 mm)

**Sealed refrigeration system includes compressor, evaporator, condenser, dryer / strainer and connection tubing

T24UR810DS

UNDER-COUNTER DOUBLE DRAWER REFRIGERATOR

MASTERPIECE® SERIES HANDLE



Also Available:
 T24UR820DS - with Professional Series Handle
 T24UR800DP - Custom Panel-Ready

FEATURES & BENEFITS

- Customizable cooling modes—Fridge, Pantry and Bar
- ★ - SoftClose® drawers for ultra-smooth closing
- Customizable drawer dividers and shelving
- Quick Chill
- LED Lighting
- Drawer mats keep items from sliding and remove for easy cleaning
- Touch electronic controls for precise temperature management

GENERAL PROPERTIES

Panel Ready	N/A
SoftClose® Drawers	Yes
Lighting	LED Lighting
Customizable Aluminum Dividers / Shelving	Yes
Removable Drawer Mats	Yes
Full Extension Drawers	Yes
Drawer Open Alarm	Yes
Quick Chill	Yes
Touch Electronic Controls	Yes

CAPACITY

Total Unit Gross Capacity (cu. ft.) - AHAM	5 cu. ft.
--	-----------

TEMPERATURE RANGES

Refrigerator	33°F (0.5°C) to 58°F (14.5°C)
Pre-Set Cooling Modes	Refrigerator 37°F (3°C) Pantry 53°F (12°C) Bar 34°F (1°C)
Quick Chill	Yes

TECHNICAL DETAILS

Watts (W)	149.5 W
Current (A)	15 or 20 Amp
Volts (V)	115 V
Frequency (Hz)	60 Hz
Power Cord Length (in.)	50"
Plug Type	120V 3-Wire

DIMENSIONS & WEIGHT

Appliance Dimensions (H x W x D) (in.)	34 1/2"* x 23 7/8" x 23 7/8"
Required Cutout Size (H x W x D) (in.)	34-35" x 24" x 24"
Net / Gross Weight (lbs)	149 / 162 lbs

EFFICIENCY

ENERGY STAR® Qualified	No
Annual Energy Consumption	256 kWh

WARRANTY

Limited, Entire Appliance, Parts and Labor on Any Part of the Refrigerator that Fails Because of a Manufacturing Defect	2 Year
Limited Warranty for Sealed Refrigeration System*; Parts and Labor	7th to 12th Year
Limited Warranty for Sealed Refrigeration System*; Parts Only	7th to 12th Year

*Height Adjustable + / -1/2" (+ / -13 mm)

**Sealed refrigeration system includes compressor, evaporator, condenser, dryer / strainer and connection tubing

T24UR800DP UNDER-COUNTER DOUBLE DRAWER REFRIGERATOR

CUSTOM PANEL-READY



Also Available:

- T24UR820DS - with Professional Series Handle
- T24UR810DS - with Masterpiece® Series Handle

FEATURES & BENEFITS

- Customizable cooling modes—Fridge, Pantry and Bar
- ★ - SoftClose® drawers for ultra-smooth closing
- Customizable drawer dividers and shelving
- Quick Chill
- LED Lighting
- Drawer mats keep items from sliding and remove for easy cleaning
- Touch electronic controls for precise temperature management

GENERAL PROPERTIES

Panel Ready	Yes
SoftClose® Drawers	Yes
Lighting	LED Lighting
Customizable Aluminum Dividers / Shelving	Yes
Removable Drawer Mats	Yes
Full Extension Drawers	Yes
Drawer Open Alarm	Yes
Quick Chill	Yes
Touch Electronic Controls	Yes

CAPACITY

Total Unit Gross Capacity (cu. ft.) - AHAM	5 cu. ft.
--	-----------

TEMPERATURE RANGES

Refrigerator	33°F (0.5°C) to 58°F (14.5°C)
Pre-Set Cooling Modes	Refrigerator 37°F (3°C) Pantry 53°F (12°C) Bar 34°F (1°C)
Quick Chill	Yes

TECHNICAL DETAILS

Watts (W)	149.5 W
Current (A)	15 or 20 Amp
Volts (V)	115 V
Frequency (Hz)	60 Hz
Power Cord Length (in.)	50"
Plug Type	120V 3-Wire

DIMENSIONS & WEIGHT

Appliance Dimensions (H x W x D) (in.)	34 1/2"* x 23 7/8" x 23 7/8"
Required Cutout Size (H x W x D) (in.)	34-35" x 24" x 24"
Net / Gross Weight (lbs)	149 / 162 lbs

EFFICIENCY

ENERGY STAR® Qualified	No
Annual Energy Consumption	256 kWh

WARRANTY

Limited, Entire Appliance, Parts and Labor on Any Part of the Refrigerator that Fails Because of a Manufacturing Defect	2 Year
Limited Warranty for Sealed Refrigeration System*; Parts and Labor	7th to 12th Year
Limited Warranty for Sealed Refrigeration System*; Parts Only	7th to 12th Year

*Height Adjustable + / -1/2" (+ / -13 mm)
**Sealed refrigeration system includes compressor, evaporator, condenser, dryer / strainer and connection tubing

UNDER-COUNTER REFRIGERATION

PLANNING INFORMATION

MODEL OPTIONS

The under-counter refrigeration series includes a glass door wine reserve (available with a right or left door swing) and a double refrigerator drawer unit. All units install fully flush to be seamlessly integrated into 24" depth cabinetry. Each unit is available custom-panel ready or in stainless steel with a Masterpiece® or Professional Handle to complement the entire collection of Thermador appliances.

INSTALLATION CONSIDERATIONS

LOCATION

The appliance should be installed in a dry, ventilated room. It may not be installed outdoors. The ambient temperature of the room should stay between 55°F (13°C) and 110°F (43°C).

The appliance should not be exposed to excessive heat. If installation next to a heat source, such as an oven, radiator, etc. is unavoidable, use a suitable insulating plate or observe the following minimum distances from the heat source:

- 1 1/4" (30 mm) from an electric cooking appliance,
- 11 13/16" (300 mm) from an oil or solid-fuel cooking appliance.

Ensure that the exterior air vent is not blocked by cabinetry or other elements.

ELECTRICAL SPECIFICATIONS

The appliance comes with a 3-wire power supply cord, UL-listed in the USA and requires a 3-wire receptacle that is fitted with a 15- or 20-Amp fuse.

The cord length is 50" (1270 mm).

GROUNDING INSTRUCTION

This appliance must be grounded. In the event of a malfunction or breakdown, grounding will reduce the risk of electric shock by providing a path of least resistance for the electric current.

ADDITIONAL GROUNDING PROCEDURE

Some local regulations may require a separate ground. In such cases, the required accessory ground wire, clamp and screw must be purchased separately. Never ground the appliance to plastic plumbing lines, gas lines or water pipes.

A 4-conductor cord shall be used when the appliance is installed in an area where local codes do not permit grounding through the neutral. Power supply cord must be replaced by a licensed electrician only.

WARNING

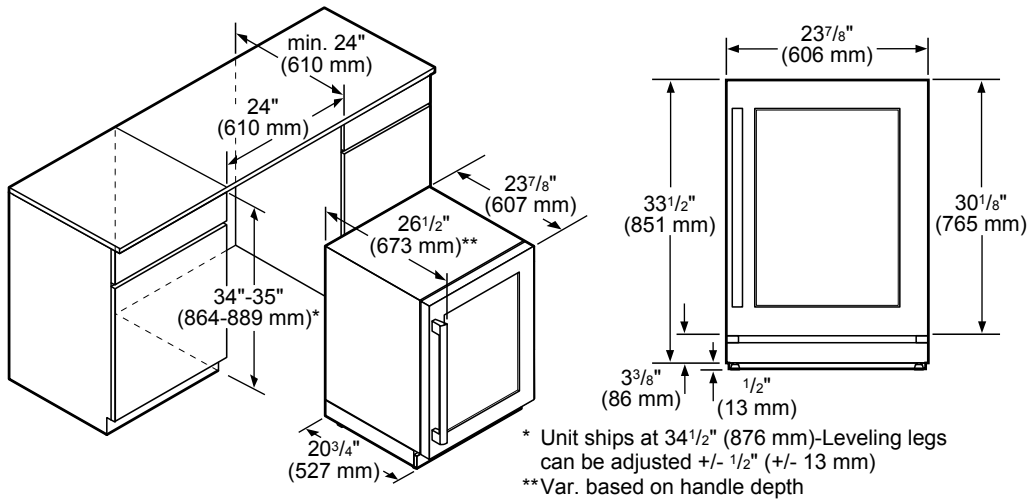
Improper connection of the equipment grounding conductor may result in electric shock. Have the appliance checked by a qualified electrician or service technician if you are in doubt as to whether the appliance has been properly grounded.

ELECTRICAL LOCATION

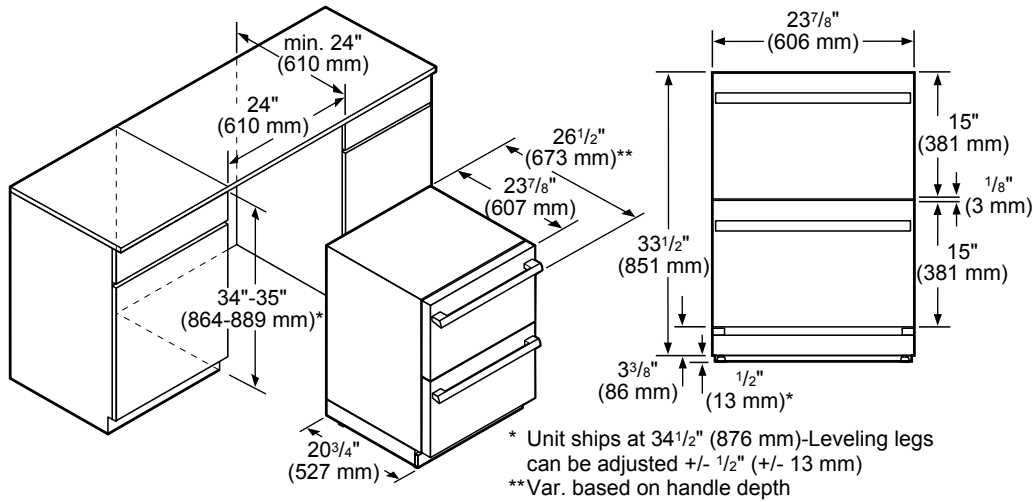
For standard 24" (610 mm) depth cutouts, the receptacle should be recessed in the rear wall or located to either side of the cutout. For deeper—25" (635 mm) or greater—cutouts, the receptacle may be located on the rear wall, however, the recommended location for any depth cutout is to the right or left side of the cutout. If receptacle is placed outside of the cutout, a 2 1/2" (63 mm) diameter access hole is recommended to accommodate the 3-wire power supply cord.

UNDER-COUNTER REFRIGERATION INSTALLATION

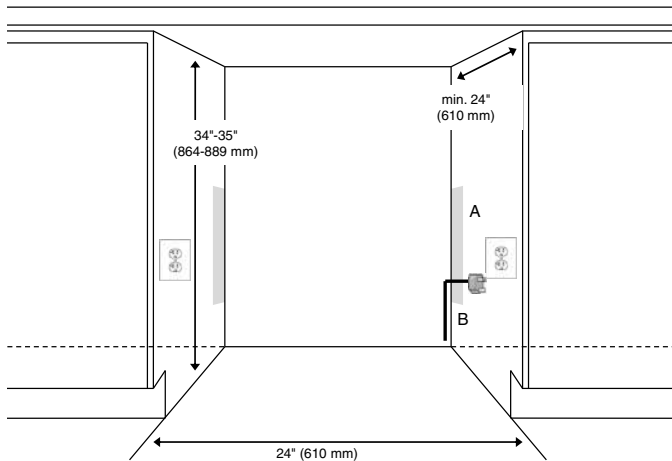
GLASS DOOR WINE RESERVE AND CUTOUT DIMENSIONS



DOUBLE DRAWER REFRIGERATOR AND CUTOUT DIMENSIONS



ELECTRICAL INSTALLATION









A: Recommended area for installation of power connection – a 2 1/2" (63 mm) diameter hole is recommended
B: Location of power cord – approximately 15" (381 mm) from base of appliance

EXPERIENCE THERMADOR®

Thermador is committed to giving you an enjoyable, creative and rewarding cooking experience. Whether you would like to research our products, watch a video of our chef searing the perfect scallop, or have questions on the use and care of your product, simply browse our online resource library at thermador.com.



CONNECT WITH US

-  thermador.com/blog
-  pinterest.com/thermador
-  instagram.com/thermadorhome
-  facebook.com
-  youtube.com/thermadorhome
-  twitter.com/thermador

VISIT THE ABOVE SITES TO SHARE PHOTOS OF YOUR NEW KITCHEN AND CREATIVE DISHES.

TAKE US WITH YOU

Visit the App Store™ or Google Play™ to download our Innovations app, including the Thermador Kitchen Ideas & Lookbook and the Thermador Kitchen Design and Planning Guide.



CUSTOMER SERVICE

For dedicated customer service on any Thermador product, please call: 1-800-735-4328 or contact us at thermador.com

PRODUCT WARRANTY

PROFESSIONAL RANGES

Limited warranty, entire appliance, parts and labor (2 year)

PROFESSIONAL RANGETOPS

Limited warranty, entire appliance, parts and labor (2 year)

BUILT-IN OVENS

Limited warranty parts and labor (2 year)

INDUCTION COOKTOPS

Limited warranty, entire appliance, parts and labor (2 year)

Limited warranty for glass ceramic surface/electronic elements and switches; parts only (3rd to 5th year)

GAS COOKTOPS

Limited warranty, entire appliance, parts and labor (2 year)

ELECTRIC COOKTOPS

Limited warranty, entire appliance, parts and labor (2 year)

Limited warranty for glass ceramic surface/electronic elements and switches; parts only (3rd to 5th year)

VENTILATION

Limited warranty, entire appliance, parts and labor (2 year)

WARMING DRAWERS

Limited warranty, entire appliance, parts and labor (2 year)

BUILT-IN MICROWAVES

Limited warranty, entire appliance, parts and labor (2 year)

REFRIGERATION

Limited two-year warranty, entire appliance, parts and labor on any part of the refrigerator that fails because of a manufacturing defect

Limited warranty for sealed refrigeration system*; parts and labor (3rd to 6th year)

Limited warranty for sealed refrigeration system*; parts only (7th to 12th year)

*Sealed refrigeration system includes compressor, evaporator, condenser, dryer/strainer and connection tubing

DISHWASHERS

Full warranty, entire appliance, parts and labor (2 year)

Limited warranty for microprocessor or printed circuit board; parts only (3rd to 5th year)

Limited warranty for racks (does not include rack components); parts only (3rd to 5th year)

Limited warranty for rust-through on inner tub liner; parts only (Lifetime)

BUILT-IN COFFEE MACHINES

Limited warranty, entire appliance, parts and labor (2 year)



These warranties give you specific legal rights and you may have other rights that vary from state to state. Limited Warranty from Date of Purchase. For complete warranty details, refer to your Use & Care manual, or ask your dealer.

Specifications are for planning purposes only. Refer to installation instructions and consult your countertop supplier prior to making counter opening. Consult with a heating and ventilation engineer for your specific ventilation requirements. For the most detailed information, refer to installation instructions accompanying product or write to Thermador® indicating the model number. Specifications are correct at time of printing. Thermador reserves the right to change product specifications or design without notice. Some models are certified for use in Canada. Thermador is not responsible for products that are transported from the U.S. for use in Canada.

©2015 BSH Home Appliances Corporation.



Thermador★

1 800 735 4328

USA THERMADOR.COM
CANADA THERMADOR.CA

©2015 BSH HOME APPLIANCES CORPORATION. ALL RIGHTS RESERVED.
#13-THD-0250 MG 10/15