

1224RSOD • 24" Outdoor Refrigerator • Outdoor Series

FEATURES & BENEFITS



STAINLESS SOLID



STAINLESS SOLID (LOCK)

PERFORMANCE	<ul style="list-style-type: none"> • Overall volume of 5.2 cu ft holds up to 123 bottles (12 oz) or 185 cans (12 oz) • Digital Touch Pad Control is conveniently located on upper face of unit • Temperature range: 34°F - 45°F • Passive cooling system
INTERIOR/EXTERIOR	<ul style="list-style-type: none"> • White interior is illuminated with LED lighting • Three removable tempered glass shelves • Stainless steel handle • Full stainless steel cabinet and door are deemed suitable for outdoor use by UL • Door swing is field reversible, and is shipped right-hand hinged • Door lock model available
INTEGRATION	<ul style="list-style-type: none"> • Unit is designed to be built-in or can be freestanding with the freestanding accessory kit • Four independently adjustable leveling legs provide a precise undercounter fit

MODEL DETAILS

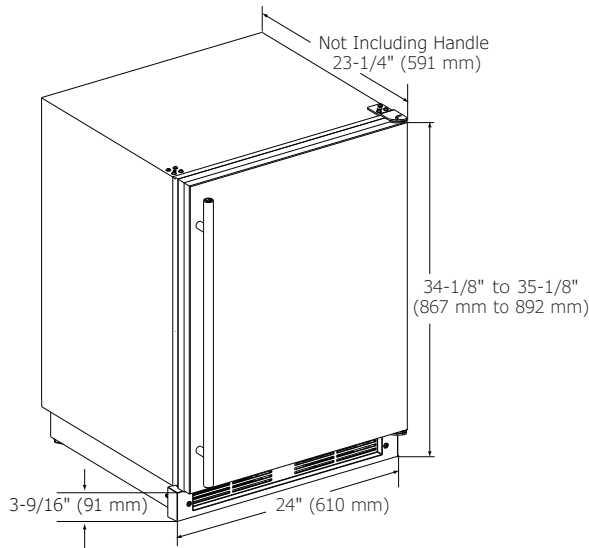
Model	Voltage/Hz	Door Swing	Finish	Shipping Weight
U-1224RSOD-00B	115 / 60	Field Reversible	Stainless Solid	109 lb
U-1224RSOD-13A	115 / 60	Field Reversible	Stainless Solid (Lock)	109 lb

ACCESSORIES

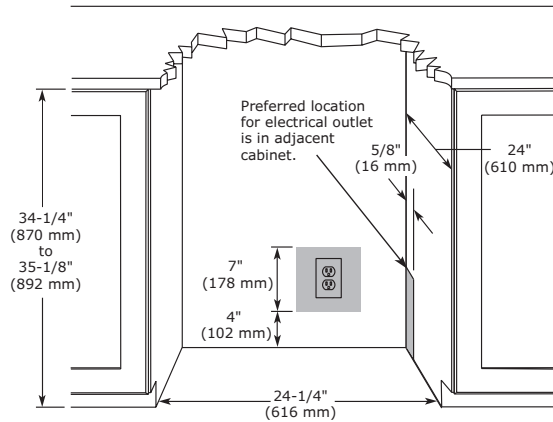
Model	Description	Finish	Shipping Weight
U-FSK-S	Freestanding Kit	Stainless	3 lb

Outdoor Series • 24" Outdoor Refrigerator • **1224RSOD**

DIMENSIONS



CABINET CUT-OUT



INSTALLATION NOTES

- When installing adjacent to wall, ensure 2-1/2" clearance on hinged side for 90° door opening, allowing ample room for door handle.
- Cutout includes the additional 1/4" width overall to ensure proper installation.
- No additional clearance around sides, top or rear of unit is needed for ventilation.
- Do not obstruct front grille air flow.

SPECIFICATIONS

Model	1224RSOD
Amps: Running	1.2
Capacity: Bottle (12 oz)	123
Capacity: Can (12 oz)	185
Capacity: Volume (cu ft)	5.2
Control Type	Digital Touch Pad
Dimensions: Depth	23 1/4" / 591 mm
Dimensions: Height	34 1/8" / 867 mm
Dimensions: Width	24" / 610 mm
Energy Consumption: Avg. Per Year	240 kWh
ENERGY STAR	ENERGY STAR / Tier 3
Product Weight: Max	99 lb
Refrigerant Type	R600a
Sabbath (Star K Certified)	Yes
Temperature Range	34°F - 45°F

COOLING SYSTEM



ELECTRICAL REQUIREMENTS

This unit requires a grounded, polarized 115 VAC, 60 Hz, 15 A power supply (normal household current).



Please visit u-line.com to view this model's User Guide & Service Manual. All Specifications are subject to change without notice.

Deemed suitable for outdoor use by UL.