



# MB34L



22" x 15.88" x 19.25" (H x W x D)

Silent absorption minibar for hotel use, in gray finish with front lock

### Highlights:

Absorption technology ensures silent operation

Slim width under 16" to fit narrow spaces

Minimum maintenance with automatic defrost

Perfect for hotel rooms and suites

### Product Features:

Thin-line design	Our unique 16" wide models offer full capacity in a slim fit
Silent operation	Non-compressor technology for noiseless performance
Front lock	Keyed lock for a secure interior
Automatic defrost operation	Reduced user maintenance with auto defrost system
Adjustable metal shelf	Rearrange your minibar space to accommodate all shapes and sizes or remove shelves for a simple clean-up
Door storage	Store large bottles right on the door for easy access
100% CFC free	Environmentally friendly design without ozone-damaging chemicals



SUMMIT APPLIANCE DIVISION FELIX STORCH, INC.

770 Garrison Avenue, Bronx, NY 10474 USA TEL 718-893-3900 FAX 844-478-8799

info@summitappliance.com

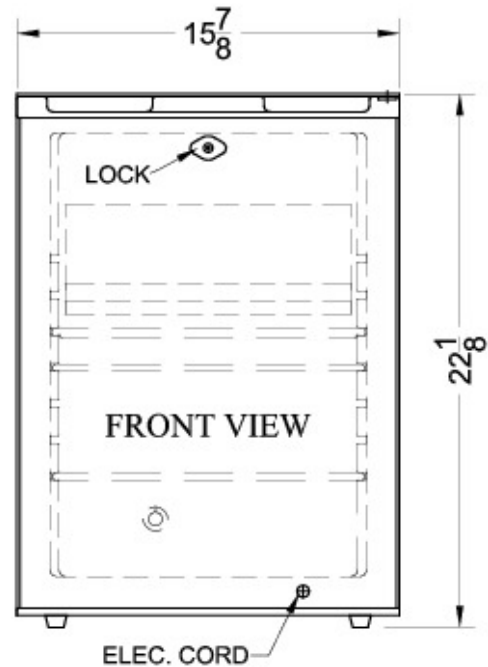
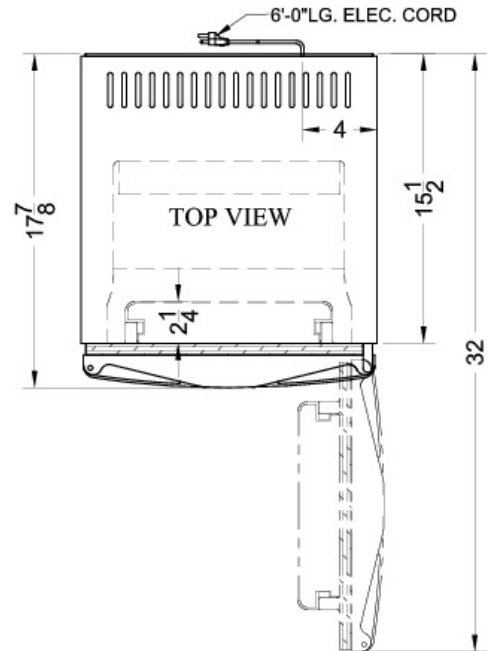


www.summitappliance.com



## MB34L Specifications:

Overview	
Height	22.0"
Height to Hinge Cap	22.13"
Width	15.88"
Depth	19.25"
Depth with Handle	17.88"
Depth with door at 90°	32.0"
Capacity	1.4 cu.ft.
Defrost Type	Automatic
Door	Gray
Cabinet	Charcoal
US Electrical Safety	UL
Shipping Weight	60.0 lbs.
Parts & Labor Warranty	1 Year
Refrigerator Features	
Door Swing	RHD
Reversible	Yes
Shelf Type	Chrome
Shelf Qty	2
Full Door Shelf Qty	2
Adjustable Shelves	Yes
Thermostat Type	Dial
Dimensions	
Interior Height	18.0"
Interior Width	13.13"
Interior Depth	9.75"



SUMMIT APPLIANCE DIVISION FELIX STORCH, INC.

770 Garrison Avenue, Bronx, NY 10474 USA TEL 718-893-3900 FAX 844-478-8799

info@summitappliance.com

www.summitappliance.com