

INSTALLATION GUIDE

L Series Built-In Ovens



Contents

| | |
|--|----|
| Wolf L Series Built-In Ovens | 3 |
| L Series Oven Specifications | 4 |
| L Series Oven Installation | 11 |
| Service Information | 15 |

Features and specifications are subject to change at any time without notice. Visit wolfappliance.com/specs for the most up-to-date information.

IMPORTANT NOTE: Throughout this guide, dimensions in parentheses are millimeters unless otherwise specified.

Important Note

To ensure the safe and efficient use of Wolf equipment, please take note of the following types of highlighted information throughout this guide:

IMPORTANT NOTE highlights information that is especially important.

CAUTION signals a situation where minor injury or product damage may occur if instructions are not followed.

WARNING states a hazard that may cause serious injury or death if precautions are not followed.



L Series Oven Installation

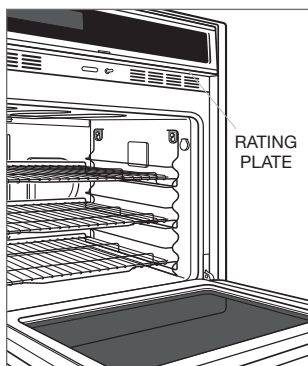
IMPORTANT NOTE: This installation must be completed by a qualified installer or Wolf authorized service center technician.

Read this entire installation guide prior to installation and save for the local inspector's reference. The homeowner should keep this installation guide for future reference.

This appliance must be installed in accordance with National Electrical Codes, as well as all state, municipal and local codes. The correct voltage, frequency and amperage must be supplied to the appliance from a dedicated, grounded circuit which is protected by a properly sized circuit breaker or time delay fuse. The proper voltage, frequency and amperage ratings are listed on the product rating plate.

Record the model and serial numbers before installing the L series oven. Both numbers are listed on the product rating plate located below the control panel. The oven door must be open to view the rating plate. Refer to the illustration below.

| Wolf L Series Oven |
|--------------------|
| Model Number |
| Serial Number |

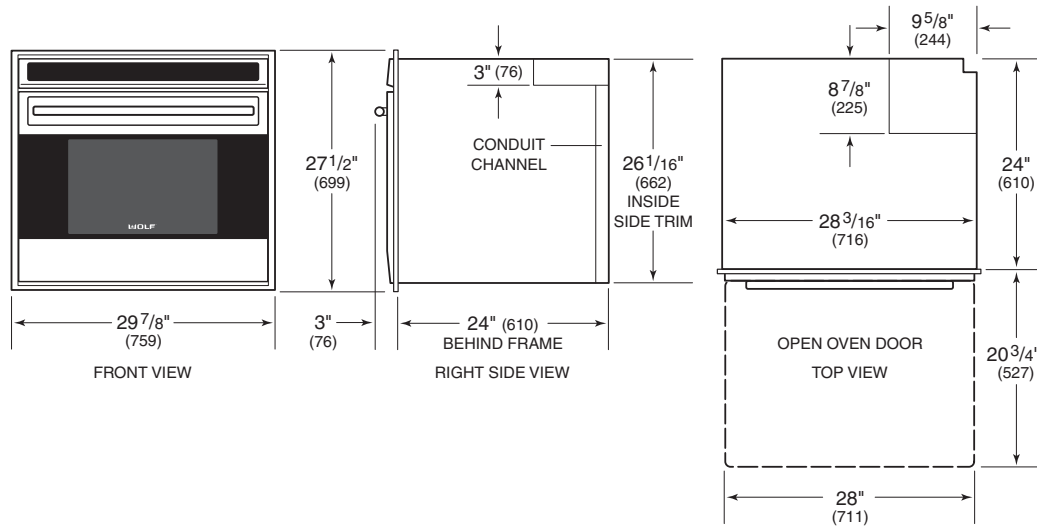


Location of rating plate.

Overall Dimensions

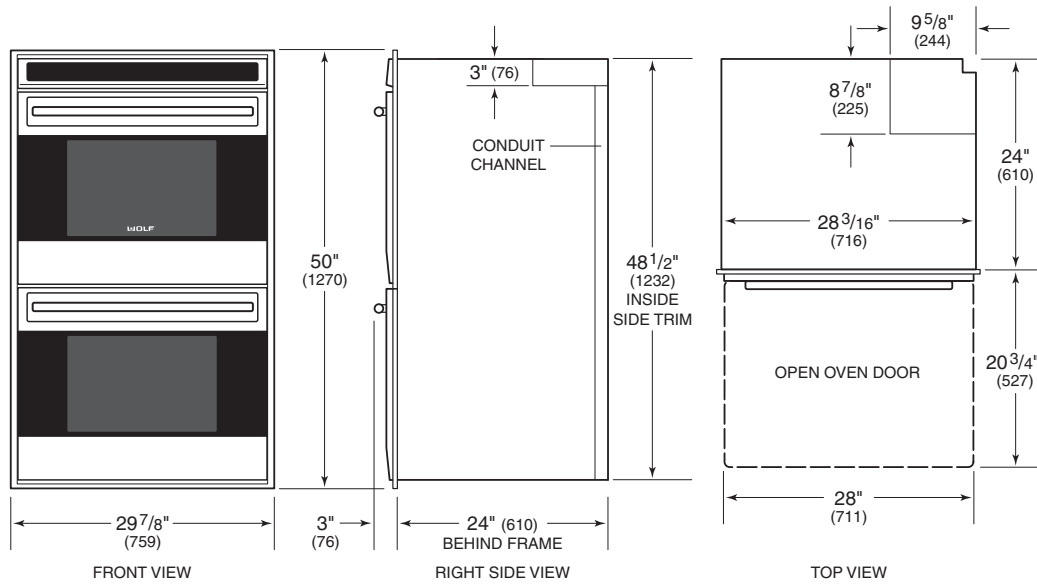
30" (762) L SERIES SINGLE OVEN

Model SO30U/S shown



30" (762) L SERIES DOUBLE OVEN

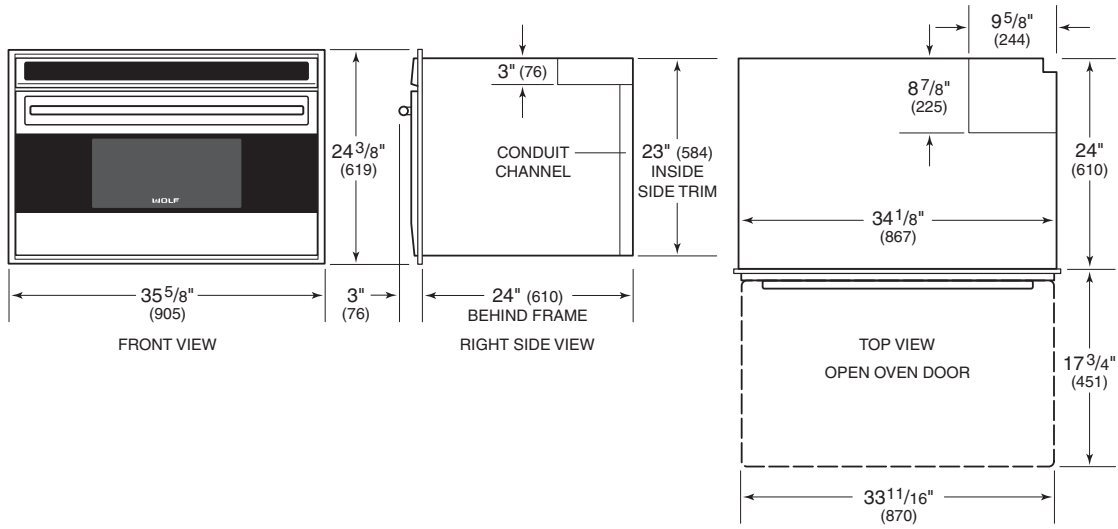
Model DO30U/S shown



Overall Dimensions

36" (914) L SERIES SINGLE OVEN

Model SO36U/S shown



L Series Built-In Ovens

For ease of installation, Wolf recommends using 33" (838) wide cabinets with 30" (762) ovens and 39" (991) wide cabinets with the 36" (914) L series oven. The installation opening must have a flat, level base platform to support the oven. Single ovens require a minimum base support of 250 lbs (115 kg). The double oven requires a minimum base support of 400 lbs (180 kg).

IMPORTANT NOTE: A minimum 24" (610) of usable cabinet depth is required or the back panel of the cabinet may need to be removed for proper installation. The electrical box must be flush with the back panel of the cabinet.

The L series oven is installed by inserting into cabinetry from the front. The oven has a face trim on all four sides and will overlap stiles and rails. The trim overlaps $\frac{3}{16}$ " (5) on the top, $\frac{1}{8}$ " (3) on the bottom and $\frac{3}{4}$ " (19) on each side.

COMBINATION INSTALLATIONS

Wolf built-in ovens are designed and agency approved for installation with Wolf cooktops, microwaves and warming drawers only. The nominal width of the built-in oven should match the nominal width of the cooktop. A built-in oven cannot be installed below a Wolf rangetop.

A single oven may be installed next to another L series single oven. You must allow for a $2\frac{1}{2}$ " (64) space between the oven rough openings. Also, a separate inner wall is required for each oven between openings.

Electrical Requirements

IMPORTANT NOTE: Unless you are using cabinets deeper than 24" (610) for a standard installation or 25" (635) for a flush inset installation, it is recommended that the electrical supply for the oven be placed in an adjacent cabinet within reach of the conduit. Choose the electrical location shown in the illustrations on the following pages that best suits your installation.

L SERIES SINGLE OVENS

- Power supply: 240/208 V AC, 60 Hz with 30 amp service.
- Maximum connected load: 5.1 kW.
- Total amps: 21 amps.
- Supply wire minimum size: L1, L2 and ground—10 AWG.

L SERIES DOUBLE OVEN

- Power supply: 240/208 V AC, 60 Hz with 50 amp service.
- Maximum connected load: 8.9 kW.
- Total amps: 37 amps.
- Supply wire minimum size: L1, L2 and ground—10 AWG.

IMPORTANT NOTE: You must follow all National Electrical Code regulations. In addition, be aware of local codes and ordinances when installing your service.

IMPORTANT NOTE: Performance may be compromised if the electrical supply is less than 240 volts.

The L series oven is provided with a conduit consisting of two insulated hot lead conductors, one insulated neutral conductor, and one uninsulated ground conductor. The wiring diagram covering the control circuit is located on the top of the L series oven in a sealed plastic bag.

UL installations: Attach the conductors to the residence wiring in accordance with National Electrical Codes and all state, municipal and local codes.

CSA installations: Attach the conductors to the electrical box provided. Then connect the residence wiring to the electrical box in accordance with all national, provincial and local codes.

▲ WARNING

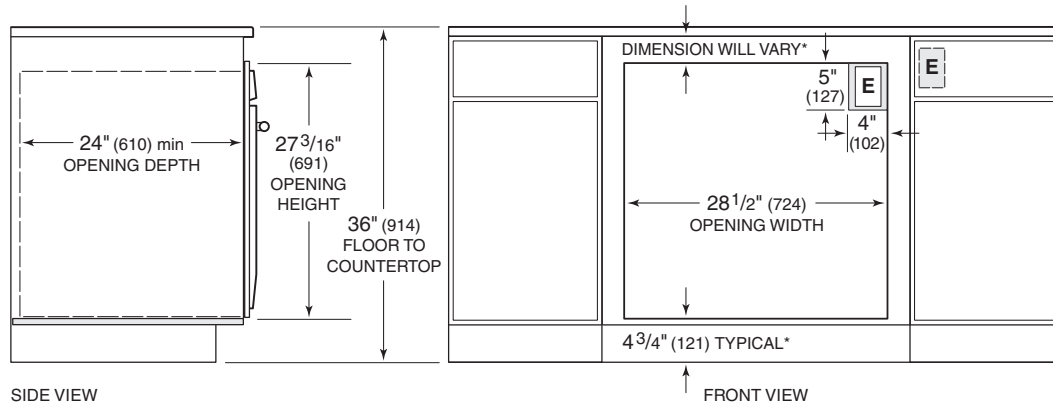
The complete appliance must be properly grounded at all times when electrical power is applied.

Grounding through the neutral conductor is prohibited for new branch-circuit installations (1996 NEC); mobile homes and recreational vehicles, or where local codes prohibit grounding through the neutral conductor.

If aluminum house supply wiring is utilized, splice the appliance copper wire to the aluminum house wiring using special connectors design and agency certified for joining copper and aluminum. Follow the connector manufacturer's recommended procedure carefully. Improper connection can result in a fire hazard.

30" (762) L Series Single Oven

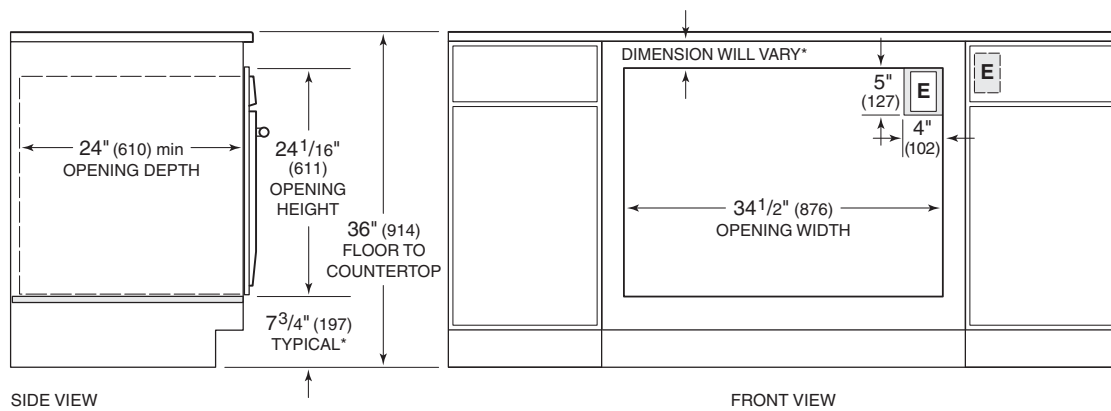
STANDARD INSTALLATION



*Dimension must accommodate height of oven trim.
 NOTES: Location of electrical supply within opening may require additional cabinet depth.
 Dashed line represents profile of unit.

36" (914) L Series Single Oven

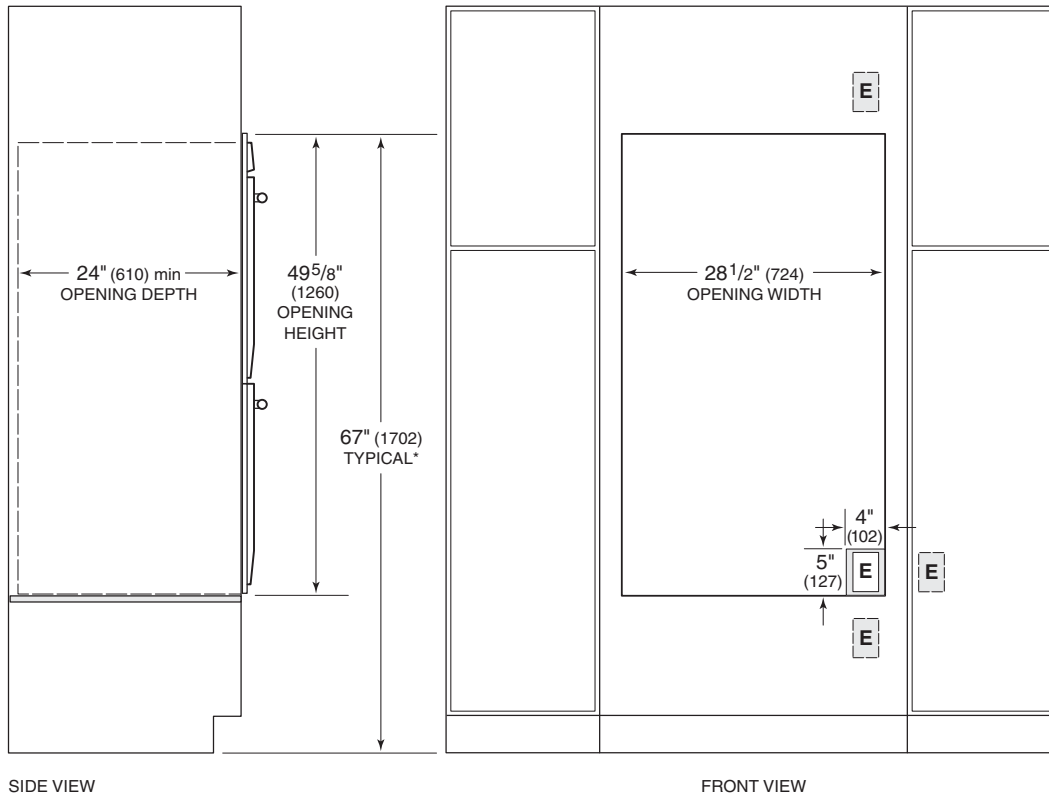
STANDARD INSTALLATION



*Dimension must accommodate height of oven trim.
 NOTES: Location of electrical supply within oven opening may require additional cabinet depth.
 Dashed line represents profile of unit.

30" (762) L Series Double Oven

STANDARD INSTALLATION



SIDE VIEW

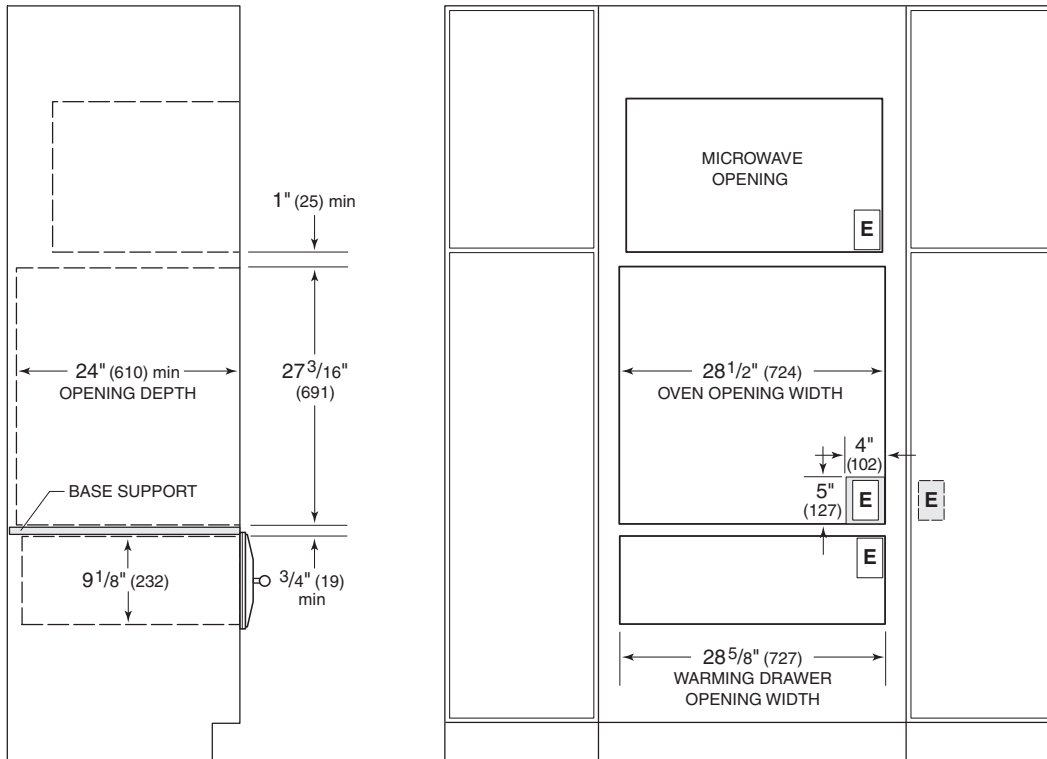
FRONT VIEW

*Dimension must accommodate height of oven trim.

NOTES: Location of electrical supply within opening may require additional cabinet depth.
Dashed line represents profile of unit.

30" (762) L Series Single Oven

STANDARD INSTALLATION WITH MICROWAVE AND WARMING DRAWER



SIDE VIEW

FRONT VIEW

NOTES: Minimum base support for oven 250 lbs (113 kg).
 Location of electrical supply within opening may require additional cabinet depth.
 Dashed line represents profile of unit.

Install the Oven

IMPORTANT NOTE: Before moving the oven, protect any finished flooring to avoid damage to the floor.

Move the oven into position near the installation opening. Remove and discard packing materials. Remove the box containing oven components found in each oven cavity.

⚠ CAUTION

The oven is very heavy—use caution when lifting. Do not lift the oven by the door handle. This will damage the oven door and hinges.

To reduce the weight of the oven, it may be necessary to remove the oven door. If so, pins will need to be inserted into the spring-loaded hinges to prevent them from snapping closed. The hinge pins can be found taped to the inside of the oven door.

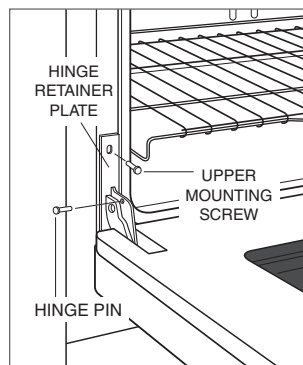
IMPORTANT NOTE: Door removal should be done only by a qualified service technician or installer. Door removal and reinstallation may cause damage to the porcelain oven interior.

OVEN DOOR REMOVAL

- 1) Open the oven door. Remove both upper and lower mounting screws of the hinge retainer plate. The oven gasket may have to be moved slightly to access the bottom screw.
- 2) Move the hinge retainer plate forward slightly. It will remain on the hinge assembly after the mounting screws have been removed.
- 3) Insert the door hinge pins through the hole in each hinge arm. Refer to the illustration below.
- 4) Carefully close the oven door to about a 60° angle from horizontal and lift the door away from the oven. A slight rocking motion may be required for removal.

⚠ CAUTION

Failure to insert the hinge pins will cause damage to the oven. Do not lift or carry the oven door by the door handle.



Oven door hinge.

Install the Oven

ELECTRICAL CONNECTIONS

⚠ WARNING

Verify that power is disconnected from the electrical box before proceeding.

With the oven positioned directly in front of the installation opening, feed the conduit through the opening in the cabinet platform (if applicable). Depending on local codes, connect the oven to the electrical supply following steps for either a three-wire or four-wire electrical system.

THREE-WIRE ELECTRICAL SYSTEM

- 1) Where local codes permit, connect the ground appliance wire to the neutral (white) supply wire.
- 2) Connect the ground and white appliance wires to the neutral (white) supply wire in the electrical box.
- 3) Connect the black appliance wire to the black (L1) power supply wire in the electrical box.
- 4) Connect the red appliance wire to the red (L2) power supply wire in the electrical box.

FOUR-WIRE ELECTRICAL SYSTEM

- 1) Separate the ground and white appliance wires.
- 2) Connect the white appliance wire to the neutral (white) supply wire in the electrical box.
- 3) Connect the black appliance wire to the black (L1) power supply wire in the electrical box.
- 4) Connect the red appliance wire to the red (L2) power supply wire in the electrical box.
- 5) Connect the ground appliance wire to the green/ground house grounding wire in the electrical box.

POSITION THE OVEN

Carefully lift the oven up to the opening. Resting the oven on the cabinet base platform, slide the oven into the opening until it is approximately 6" (152) from full insertion. Make sure the conduit slides through the opening in the platform as the oven is moved into place.

IMPORTANT NOTE: The conduit must fit into the recessed area along the right rear edge of the oven. Make sure it is not trapped between the oven and cabinet wall.

IMPORTANT NOTE: To avoid interference, a 90° door stop may be required for any appliance or cabinet door installed next to an L series oven.

⚠ CAUTION

Do not block the exhaust vent located at the bottom of the oven. It must remain clear for proper ventilation.

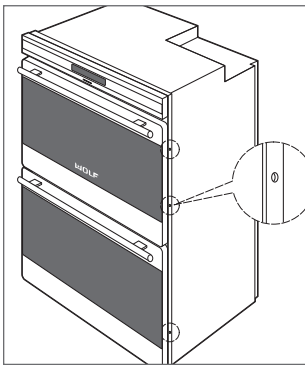
Install the Oven

MOUNT OVEN TO CABINETRY

Once the oven is fully inserted into the opening, locate the mounting holes on the oven side trim. There are four mounting holes for a single oven and six for a double oven. Refer to the illustration below. Use a $\frac{1}{16}$ " drill bit to drill pilot holes into the cabinet. Using the wood screws provided, secure the oven to the cabinet.

⚠ WARNING

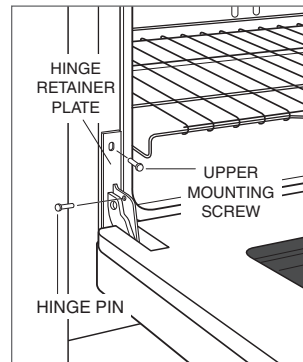
Failure to install the mounting screws may cause the oven to tip forward during use.



Location of mounting holes.

OVEN DOOR REINSTALLATION

- 1) Hold the oven door on both sides and position it with door hinges aligned with openings in the oven frame.
- 2) Holding the oven door at an approximate 30° angle from vertical, slide the hinges into the openings until the bottom hinge arms drop fully into the hinge receptacles.
- 3) Open the oven door to its fully opened position. Remove the hinge pins from each hinge. Refer to the illustration below.
- 4) Reinstall the hinge retainer plate with upper and lower mounting screws.
- 5) Open and close the door completely to ensure that it is properly installed.



Oven door reinstallation.

Verify Oven Operation

Unpack the box containing the oven components found in each oven cavity. Install the oven rack guides onto the shoulder screws located on the interior side walls of the oven. Slide the oven racks onto the rack guides and place the broiler pan in the oven.

Before operating the oven, be sure to read the entire use & care guide included with the oven for important safety, operating and warranty information.

Turn on the electrical supply to the oven. Set the time of day by pressing the CLOCK touch pad, input the time by using the number pads, then touch ENTER.

Select any of the ten cooking modes on the control panel. Verify that the oven is coming up to temperature. For the double oven, be sure to verify operation of both ovens.

IMPORTANT NOTE: A small amount of smoke and odor may be noticed during the initial break-in period. Refer to the L series built-in ovens use & care guide for additional information.

Troubleshooting

IMPORTANT NOTE: If the L series oven does not operate properly, follow these troubleshooting steps:

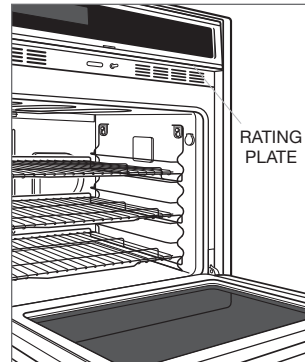
- Verify that electrical power is being supplied to the oven.
- Check the electrical connections to ensure that the installation has been completed correctly.
- Refer to the troubleshooting guide in the L series built-in ovens use & care guide.
- If the oven still does not operate properly, contact Wolf factory certified service. Do not attempt to repair the oven yourself. Wolf is not responsible for service required to correct a faulty installation.

Service Information

If service is necessary, maintain the quality built into your L series oven by contacting Wolf factory certified service.

For the name and number of Wolf factory certified service nearest you, check the contact & support section of our website, wolfappliance.com or call Wolf customer care at 800-222-7820.

When calling for service, you will need the model and serial numbers of the L series oven. Both numbers are listed on the product rating plate located below the control panel. The oven door must be open to view the rating plate. Refer to the illustration.



Location of rating plate.





WOLF APPLIANCE, INC. P. O. BOX 44848 MADISON, WI 53744 WOLFAPPLIANCE.COM 800.222.7820

816987 REV-B

2/2012

