

Haier

Installation and User Manual
Instructions d'installation et
Guide de l'utilisateur
Instrucciones de instalación y
Manual del usuario
DD410RS

Undercounter Dual-Drawer Refrigerator Réfrigérateur à deux tiroirs Refrigerador de doble cajón



TABLE OF CONTENTS

DUAL-DRAWER REFRIGERATOR SAFETY	4
Proper Disposal of Your Old Refrigerated Appliance	5
PARTS AND FEATURES	6
INSTALLATION REQUIREMENTS	7
Tools Needed	7
Parts Supplied	7
Location Requirements	7
Connecting Electricity	8
INSTALLATION INSTRUCTIONS	9
Step 1 - Unpack Dual-Drawer Refrigerator	9
Step 2 - Prepare Dual-Drawer Refrigerator	10
Step 3 - Install Dual-Drawer Refrigerator	10
Step 4 - Complete Installation	12
DUAL-DRAWER REFRIGERATOR USE	13
Control Panel	13
Features	14
Crisper	14
Adjustable Divider	15
Lights	15
DUAL-DRAWER REFRIGERATOR CARE	16
Cleaning	16
Vacation and Moving	18
Reinstalling/Using Dual-Drawer Refrigerator Again	19
TROUBLESHOOTING	20
LIMITED WARRANTY	22
RECORD KEEPING	24

DUAL-DRAWER REFRIGERATOR SAFETY

IMPORTANT SAFETY INSTRUCTIONS

▲ WARNING To reduce the risk of fire, explosions, electrical shock, injury to persons, or damage when using the dual-drawer refrigerator, follow basic precautions, including the following:

- Use this appliance only for its intended purpose as described in this user manual.
- This appliance must be properly installed in accordance with the installation instructions before it is used. See grounding instructions in the installation section.
- Plug into a grounded 3 prong outlet.
- Do not remove ground prong.
- Do not use an adapter or extension cord.
- Do not repair or replace any part of the appliance unless specifically recommended in the manual. All other servicing should be referred to a qualified technician.
- Disconnect power before servicing.
- Replace all parts and panels before operating.
- Use nonflammable cleaner.
- Do not store or use gasoline or other flammable vapors and liquids in the vicinity of this or any other appliance.
- Do not store explosive substances such as aerosol cans with a flammable propellant in this appliance.
- Before discarding or removing from service, remove the door. This will reduce the possibility of danger to children.
- To avoid serious injury or death, children should not stand on, or play in or with the appliance.
- Children and persons with reduced physical, sensory or mental capabilities or lack of experience and knowledge can use this appliance only if they are supervised or have been given instructions on safe use and understand the hazards involved.
- This appliance is intended to be used in household and similar applications such as: staff kitchen areas in shops, offices and other working environments; farm houses; by clients in hotels, motels, bed & breakfast and other residential environments; catering and similar non-retail applications.

▲ CAUTION To reduce the risk of injury when using your dual-drawer refrigerator, follow these basic safety precautions.

- Keep fingers out of the “pinch point” areas; clearances between the door and cabinet are necessarily small. Be careful closing door when children are in the area.

DUAL-DRAWER REFRIGERATOR SAFETY

STATE OF CALIFORNIA PROPOSITION 65 WARNINGS:

▲ WARNING This product contains one or more chemicals known to the State of California to cause cancer and birth defects or other reproductive harm.

PROPER DISPOSAL OF YOUR OLD APPLIANCE

▲ WARNING SUFFOCATION AND ENTRAPMENT HAZARD

Failure to follow these disposal instructions can result in death or serious injury.

IMPORTANT: Child entrapment and suffocation are not problems of the past. Junked or abandoned appliances are still dangerous even if they will sit for “just a few days.” If you are getting rid of your old appliance, please follow the instructions below to help prevent accidents.

Before You Throw Away Your Old Appliance:

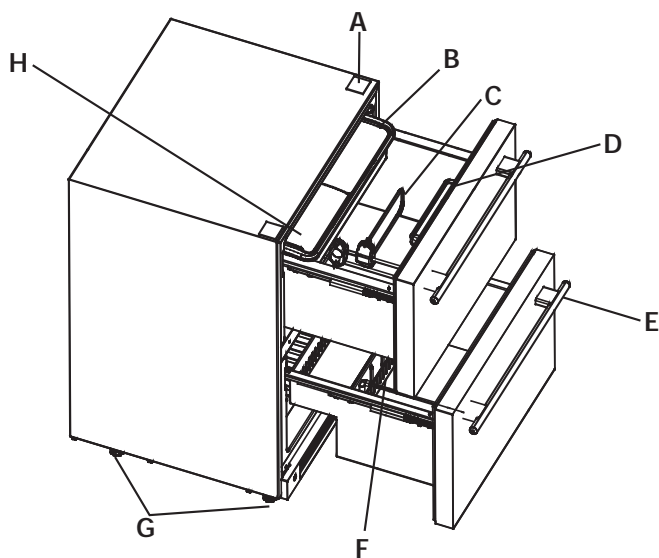
- Take off the door.
- Leave the drawers in place so that children may not easily climb inside.

Refrigerant and Foam Disposal:

Dispose of dual-drawer refrigerator in accordance with Federal and Local Regulations. Flammable refrigerant and insulation material used require special disposal procedures. Contact your local authorities for the environmentally safe disposal of your refrigerator.

READ AND SAVE THESE INSTRUCTIONS

PARTS AND FEATURES



- A. Hole Cover
- B. Crisper
- C. Upper Drawer Divider
- D. Control Panel
- E. Handle
- F. Lower Drawer Divider
- G. Leveling Legs
- H. Accessory Package
(Anti-tip brackets and screws)

INSTALLATION REQUIREMENTS

TOOLS NEEDED

- Phillips Screwdriver
- Measuring Tape
- Carpenter's Level

PARTS SUPPLIED

- Anti-tip Brackets
- Screws

LOCATION REQUIREMENTS

⚠ WARNING **EXPLOSION HAZARD and FIRE HAZARD**

Keep flammable materials and vapors, such as gasoline, away from appliance.

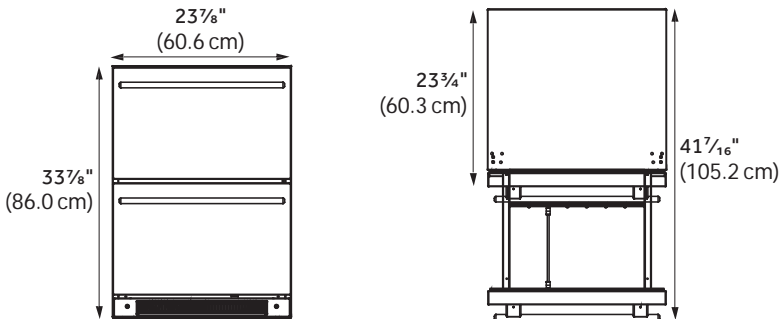
Failure to do so can result in death, explosion or fire.

IMPORTANT: This dual-drawer refrigerator is designed for built-in use only. Before use, this dual-drawer refrigerator must be installed properly.

NOTE: Allow the dual drawer to sit upright on its base for at least one hour before installation.

- Do not install the dual-drawer refrigerator where the temperature will go below 55°F (13°C) because it will not run often enough to maintain proper temperatures.
- Do not install the dual-drawer refrigerator where the temperature will go above 110°F (43°C) because it will not perform properly.
- Install it on a floor strong enough to support it fully loaded.
- Do not install the dual-drawer refrigerator in a location exposed to water (rain, etc.) or direct sunlight.

DUAL-DRAWER REFRIGERATOR DIMENSIONS



INSTALLATION REQUIREMENTS

CONNECTING ELECTRICITY

⚠ WARNING



ELECTRICAL SHOCK HAZARD

Plug into a grounded 3-prong outlet.

Do not remove the ground prong.

Do not use an adapter.

Do not use an extension cord.

Failure to follow these instructions can result in death, fire, or electrical shock.

Do not, under any circumstances, cut or remove the third (ground) prong from the power cord. For personal safety, this appliance must be properly grounded.

The power cord of this appliance is equipped with a 3-prong (grounding) plug which mates with a standard 3-prong (grounding) wall outlet to minimize the possibility of electric shock hazard from this appliance.

Have the wall outlet and circuit checked by a qualified electrician to make sure the outlet is properly grounded.

Where a standard 2-prong wall outlet is encountered, it is your personal responsibility and obligation to have it replaced with a properly grounded 3-prong wall outlet.

The dual-drawer refrigerator should always be plugged into its own individual electrical outlet which has a voltage rating that matches the rating plate.

A 115 Volt AC, 60 Hz, 15- or 20-amp fused, grounded electrical supply is required. This provides the best performance and also prevents overloading house wiring circuits which could cause a fire hazard from overheated wires.

Never unplug your dual-drawer refrigerator by pulling on the power cord. Always grip plug firmly and pull straight out from the outlet.

Immediately discontinue use of a damaged supply cord. If the supply cord is damaged, it must be replaced by a qualified service professional with an authorized service part from the manufacturer.

When moving the dual-drawer refrigerator away from the wall, be careful not to roll over or damage the power cord.

NOTE: Before performing any type of installation or cleaning, disconnect the dual-drawer refrigerator from the electrical source. When you are finished, reconnect the dual-drawer refrigerator to the electrical source and reset the temperature controls to the desired setting.

INSTALLATION INSTRUCTIONS

STEP 1 - UNPACK DUAL-DRAWER REFRIGERATOR

⚠ WARNING EXCESS WEIGHT HAZARD

Use two or more people to move and install dual-drawer refrigerator. Failure to do so can result in back or other injury.

⚠ WARNING  CUT HAZARD

Cabinet edges along stamp/cut-out areas may be sharp. Avoid placing hands, fingers or other appendages near these areas. Failure to do so can result in cuts.

IMPORTANT: Handle with care when moving dual-drawer refrigerator to avoid either damaging the refrigerant tubing or increasing the risk of a leak.

IMPORTANT: When moving the dual-drawer refrigerator, never tilt it more than a 45° angle. This could damage the compressor and the sealed system. If the dual-drawer refrigerator has been placed in a horizontal position for any period of time, wait 30 minutes before plugging in the refrigerator to allow the refrigerant to settle.

REMOVE PACKAGING

- Remove tape and glue residue from surfaces before turning on the dual-drawer refrigerator. Rub a small amount of liquid dish soap over the adhesive with your fingers. Wipe with warm water and dry.

NOTE: Do not use sharp instruments, rubbing alcohol, flammable fluids, or abrasive cleaners to remove tape or glue. These products can damage the surface of your dual-drawer refrigerator. For more information, see “Dual-Drawer Refrigerator Safety.”

- Dispose of/recycle all packaging materials.

CLEAN BEFORE USING

After you remove all of the packaging materials, clean the inside of the dual-drawer refrigerator before using it. See the cleaning instructions in “Dual-Drawer Refrigerator Care.”

INSTALLATION INSTRUCTIONS

STEP 2 - PREPARE DUAL-DRAWER REFRIGERATOR

1. Pull open the upper drawer. Remove the crisper bins and set aside.
2. Using two hands, lift up on the metal drawer divider rod to remove it from the slots in the front and rear of the drawer.
3. Once the drawer divider rod is out of the slots, turn the rod so that it is at an angle to the front of the drawer. Lift the rod slowly out of the drawer to avoid bumping into the control panel, and then set aside the divider assembly.
4. Close the upper drawer to avoid damage during installation.

STEP 3 - INSTALL DUAL-DRAWER REFRIGERATOR

Depending on the material of your countertop, use either Method 1 - Install to Countertop or Method 2- Install to Adjacent Cabinet to secure your dual-drawer refrigerator.

⚠ WARNING



Tip Over Hazard

Do not use dual-drawer refrigerator until completely installed.

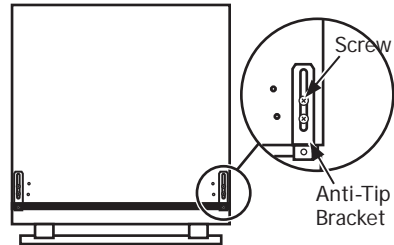
Do not push down on open drawer.

Failure to follow these instructions can result in serious injury or cuts.

METHOD 1 - INSTALL TO COUNTERTOP

Attach the Anti-Tip Brackets

1. Pry hole covers from the top of the refrigerator cabinet to reveal the holes used to install the anti-tip brackets.
2. Open the upper drawer and leave it open to install the anti-tip brackets.
3. Remove the anti-tip brackets and screws from the accessory bag.
4. With the screws provided, fasten the anti-tip brackets to both sides of the top of the cabinet.



INSTALLATION INSTRUCTIONS

STEP 3 - INSTALL DUAL-DRAWER REFRIGERATOR (Cont.)

METHOD 1 - INSTALL TO COUNTERTOP (Cont.)

Level the dual-drawer refrigerator

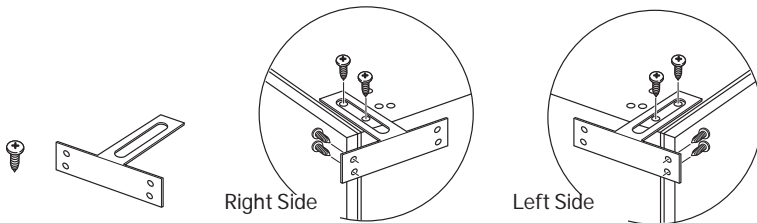
Adjustment of the leveling legs under the dual-drawer may be necessary for a proper fit in the cabinet opening.

1. Adjust the height of the rear of the dual-drawer by raising or lowering the rear leveling legs, and then begin to slide the dual-drawer into the under counter opening.
2. Adjust the front of the dual-drawer, by raising or lowering the leveling legs, until it fits under the countertop, with enough space to install the anti-tip bracket to the underside of the countertop.
3. Raise the front leveling legs until the anti-tip bracket is flush with the underside of the countertop.
4. Using a screw provided, install dual-drawer refrigerator to countertop.

METHOD 2 - INSTALL TO ADJACENT CABINETS

Attach the Anti-Tip Brackets

1. Pry hole covers from the top of the refrigerator cabinet to reveal the holes used to install the anti-tip brackets.
2. Open the upper drawer and leave it open to install the anti-tip brackets.
3. Remove the anti-tip brackets and screws from the accessory bag.
4. With the screws provided, fasten an anti-tip bracket to each side of the top of the cabinet.



Level the dual-drawer refrigerator

Adjustment of the leveling legs under the dual-drawer refrigerator may be necessary for a proper fit in the cabinet opening.

1. Adjust the height of the rear of the dual-drawer by raising or lowering the rear leveling legs, and then begin to slide the dual-drawer into the under counter opening.
2. Adjust the front of the dual-drawer, by raising or lowering the leveling legs, until it fits under the countertop.
3. Install dual-drawer refrigerator to cabinets.

INSTALLATION INSTRUCTIONS

STEP 4 - COMPLETE INSTALLATION

⚠ WARNING



Electrical Shock Hazard

Plug into a grounded 3 prong outlet.

Do not remove the ground prong from the power cord plug.

Do not use an adapter.

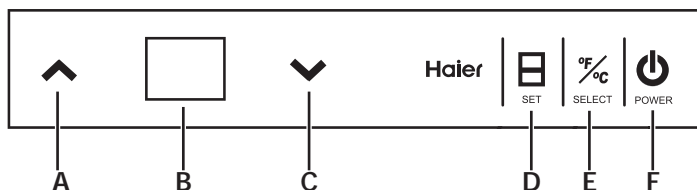
Do not use an extension cord.

Failure to do so can result in death, fire or electrical shock.

- Plug into a grounded 3 prong outlet.

DUAL-DRAWER REFRIGERATOR USE

CONTROL PANEL



- | | |
|---------------------|---------------------|
| A. Temperature Up | D. Control Lock/Set |
| B. LED Screen | E. C°/F° Conversion |
| C. Temperature Down | F. Power Switch |

TEMPERATURE SETTING

The temperature range of the dual-drawer refrigerator is 34°F to 45°F (1.1°C to 7.2°C).

If you want to change temperature, press SET for 3 seconds. The control will beep, and the temperature will flash in control panel. Adjust the temperature using the ▲ and ▼ buttons. When the desired temperature appears in the display, press SET to confirm. The control will beep, and the temperature will no longer flash.

°C AND °F CONVERSION

Press and hold SELECT for 3 seconds. The Temperature display will change from degrees Fahrenheit to degrees Celsius. The control will beep once.

Press and hold SELECT for 3 seconds. The Temperature display will change from degrees Celsius to degrees Fahrenheit. The control will beep once.

TURN ON/OFF COOLING

- Press and hold POWER for 3 seconds to turn off cooling. This does not disconnect power to the dual-drawer refrigerator.

To turn off the dual-drawer for an extended period of time:

- Turn off dual drawer, and unplug from outlet.
- Remove food, and clean dual-drawer.
- Leave drawers ajar to prevent odors.

DUAL-DRAWER REFRIGERATOR USE

CONTROL PANEL (Cont.)

SABBATH MODE

This feature is available for the observance of certain religious holidays. In Sabbath mode, the dual-drawer refrigerator continues to operate (compressor, magnetic valve, fan, heater strip), but all lights, including the display panel and the LEDs, will be off whether or not the door is open.

Press and hold the **▲** and **▼** buttons at the same time for 3 seconds. The control will beep once, and the display panel will flash 5 times and then stop, to indicate that the dual-drawer has entered Sabbath mode.

Press and hold the **▲** and **▼** buttons at the same time for 3 seconds to turn off the Sabbath Mode feature. The display panel flashes 5 times, to indicate the exit from Sabbath mode.

DOOR ADJAR ALARM

If a drawer is ajar for more than 3 minutes, the control panel will beep. If you want to stop the alarm without closing the drawer, press SET.

FEATURES

The dual-drawer refrigerator is designed to hold up to 88.2 lbs (40 kg) total or 44.1 lbs (20 kg) per drawer. The upper drawer will hold items that are up to 12" (30.5 cm) in height. The lower drawer is divided by a step. Items with a height greater than 12" (30.5 cm) can be stored in the section without the step.

CRISPER

- The crisper is a convenient location to store fresh vegetables.
- A crisper with cover is located in the upper drawer.
- The crisper is removable when not in use.

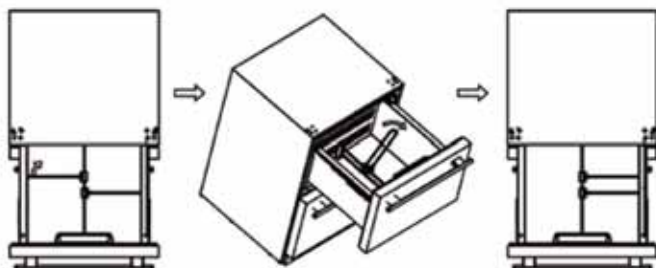
DUAL-DRAWER REFRIGERATOR USE

ADJUSTABLE DIVIDER

There is a divider in each drawer. For flexibility in food storage, you can adjust or remove the dividers.

Adjust the Divider in the Upper Compartment:

The upper drawer is separated by dividers fastened to the bin cradle. The two dividers can be adjusted from either left to right, or back to front, as shown.



For ease in cleaning the drawer, you can remove the divider(s). See “Prepare Dual-Drawer Refrigerator.”

Adjust the divider in lower compartment:

For storage flexibility, the divider in the lower drawer can be inserted between any of the ridges in the front and back walls of the drawer.

LIGHTS

IMPORTANT: Your dual-drawer refrigerator is equipped with LED lighting. These lights are designed to last for the life of your dual-drawer refrigerator. However, if the lights stop operating, contact a qualified technician for replacement.

An LED is located at the top of both the upper and lower drawers. The LED lights are controlled by drawer openings and closings. When a drawer is open, the LED is on. When the drawer is closed the LED is off.

IMPORTANT: There are magnets attached to the interior, left-hand side of the upper drawer, and to the bottom of lower drawer door. Do not remove the magnets because they are required for proper functioning of the light system.

DUAL-DRAWER REFRIGERATOR CARE

CLEANING

The dual-drawer refrigerator defrosts automatically. The water on back wall drains into the water tank and is evaporated by the condenser.

IMPORTANT: Do not use harsh chemicals, ammonia, chlorine bleach, concentrated detergent, solvents, abrasives or metal scouring pads to clean your product inside or out. They can damage and/or discolor the finish.

⚠ WARNING



Electrical Shock Hazard

Unplug your appliance or disconnect power before cleaning.

Failure to do so can result in death, electric shock or personal injury.

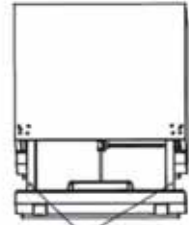
General

1. Unplug or disconnect power.
2. Wash interior surfaces, accessories, and outer frame with a solution of warm water mixed with 3 - 4 tablespoons of baking soda.
NOTE: Before using cleaning products, always read and follow manufacturer's instructions and warnings to avoid personal injury or product damage.
3. Rinse with clean, warm water.
4. Dry thoroughly with a soft cloth.
5. Plug in or reconnect power.
6. Clean the drain hole using a small, soft material such as a cotton swab. To access the drain hole, you must first remove the lower drawer.

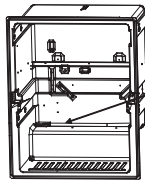
DUAL-DRAWER REFRIGERATOR CARE

To remove the lower drawer:

1. Slide out the lower drawer completely.
2. Using a screwdriver, remove the 2 screws fastening the lower drawer to the drawer glides.
3. Remove the lower drawer.
4. Clean the drain hole illustrated below with a soft material such as cotton swab, then install the lower drawer according to the reverse procedure as above.



Location of screws



Location of drain hole

Door Gaskets

Gaskets must be kept clean and pliable to ensure a proper seal.

- Clean door gaskets every 3 months with solution of baking soda and warm water.
- Petroleum jelly applied lightly to the hinge-side gasket will keep the gasket pliable and ensure a good seal.

DUAL-DRAWER REFRIGERATOR CARE

VACATION AND MOVING

Vacation

If you will be away for an extended period of time and do not want to leave the appliance on while you are gone, prepare it for your absence.

1. Remove all items.
2. Press and hold POWER on the control panel for 3 seconds to turn off cooling.
3. Unplug or disconnect power.
4. Clean the interior. See “Cleaning.”
5. Clean lid/door gaskets. See “Cleaning.”
6. Prop drawers open, so air can circulate inside.

Moving

If you are moving your dual-drawer refrigerator to a new home, prepare the appliance for the move.

IMPORTANT:

- Handle with care when moving to avoid either damaging the refrigerant tubing or increasing the risk of a leak.
 - When moving the refrigerator, never tilt it more than a 45° angle. This could damage the compressor and the sealed system.
1. Complete vacation preparation steps 1 through 5. See “Vacation.”
 2. Take out all removable parts, wrap them well, and tape them together so they don't shift and rattle during the move.
 3. Tape the drawers closed and tape the power cord to the back of the refrigerator.

DUAL-DRAWER REFRIGERATOR CARE

REINSTALLING/USING DUAL-DRAWER REFRIGERATOR AGAIN

IMPORTANT: If the dual-drawer refrigerator has been placed in a horizontal or tilted position for any period of time, wait 30 minutes before plugging in the dual-drawer refrigerator to allow the refrigerant to settle.

1. Clean dual-drawer refrigerator. See Cleaning.
2. Place refrigerator in desired location and level. See Installation Instructions.

⚠ WARNING



Electrical Shock Hazard

Plug into a grounded 3 prong outlet.

Do not remove the ground prong from the power cord plug.

Do not use an adapter.

Do not use an extension cord.

Failure to do so can result in death, fire or electrical shock.

3. Plug into a grounded 3 prong outlet.

TROUBLESHOOTING

First try the solutions suggested here to possibly avoid the cost of a service call.

PROBLEM	POSSIBLE CAUSE(S)	SOLUTION
<i>Dual-drawer refrigerator does not run</i>	Dual-drawer Refrigerator is unplugged.	Plug power cord into power source.
	Breaker is tripped or turned off/Fuse is blown.	Reset/Turn on breaker or replace fuse.
<i>Dual-drawer refrigerator compressor runs frequently or for long periods of time</i>	Normal when first plugged in	Allow 24 hours for the dual-drawer refrigerator to cool completely
	Warm or large amounts of food added	This is normal
	Door is left ajar	Ensure that door is not being held open by an item
	Hot weather or frequent openings	This is normal to maintain constant temperature during hot and humid days
	Gasket is not sealing properly	Clean the gasket
<i>Dual-drawer refrigerator has an odor</i>	Food is not sealed or packaged properly	Reseal packaging. Place an opened box of baking soda in the dual-drawer refrigerator, replace every 3 months
	Interior needs to be cleaned	Clean the interior. See "Cleaning."
	Food stored too long	Dispose of spoiled food.
<i>Light does not come on</i>	Dual-drawer refrigerator is unplugged.	Plug into power source.
	LED light is burned out.	Contact a qualified technician to replace the burned out LED.
<i>Drawers do not close properly</i>	Dual-drawer refrigerator is not level	See "Leveling."
	Something is obstructing door closure	Check for and remove obstructions eg. bottles, food, spills, etc.
<i>Vibration or rattling</i>	Dual-drawer refrigerator is not resting firmly on floor	See "Leveling."

TROUBLESHOOTING

First try the solutions suggested here to possibly avoid the cost of a service call.

PROBLEM	POSSIBLE CAUSE(S)	SOLUTION
<i>Normal Sounds</i>	It sounds like water is flowing from the dual-drawer refrigerator	Refrigerant flowing in the lines will make this sound when the compressor starts and stops. The dual-drawer refrigerator has an automatic defrosting system. The defrosted water will make this sound.
	Humming or buzzing sounds	The compressor and fans for cold air circulation can make this sound. If the dual-drawer refrigerator is not level, the sound will be louder.
	Cracking or clicking sounds	The interior parts will make this sound as they contract and expand in response to temperature changes.
TEMPERATURE AND MOISTURE		
<i>Dual-drawer refrigerator is too warm</i>	Temperature control is not set low enough	Adjust the temperature to a colder setting; allow 24 hours for the temperature to adjust
	Doors opened frequently or left open	Keep door closed / Check that a package is not preventing door from closing
	Warm food added recently	Allow time for food and dual-drawer refrigerator to cool
	Gasket is not sealing properly.	Clean the gasket
<i>Dual-drawer refrigerator is too cold</i>	Temperature control is set too low	Adjust temperature in the compartment to the next warmer setting; allow 24 hours to adjust
<i>Moisture on exterior/ interior of the dual-drawer refrigerator</i>	High humidity	This is normal. Dry surface and adjust temperature to slightly colder setting
	Doors opened frequently or left open	Keep door closed. Check that a package is not preventing door from closing
	Gasket is not sealing properly	Clean the gasket

FOR MORE HELP, VISIT HAIERAMERICA.COM OR CALL THE CONSUMER HELP LINE AT 1-877-337-3639.

LIMITED WARRANTY

12 Months on Parts and Labor

For 12 months from the date of original retail purchase, GE Appliances will replace any part of the refrigerator that fails due to a defect in materials or workmanship. GE Appliances will choose, at its discretion, to replace or service the defective unit. Should GE Appliances decide to service the unit, GE Appliances will provide any part which fails due to a defect in materials or workmanship free of charge, along with any labor and related service costs to replace the defective part. During this period, should GE Appliances choose to replace the unit, it may do so by providing you with a certificate redeemable at a retailer for a replacement product.

Product must be accessible, without encumbrance and installed properly to receive warranty repair service.

NOTE: This warranty commences on the date the item was purchased, and the original purchase receipt must be presented to the authorized service representative before warranty repairs are rendered.

FOR WARRANTY SERVICE

For US Customers, all warranty service must be performed by our Factory Service centers or an authorized Customer Care Technician. To schedule service, call 1-877-337-3639.

Please have serial number and model number available when calling for service.

In Canada, call 1.877.470.9174.

What is not covered by this warranty:

- Service trips to your home to teach you how to use the product.
- Improper installation, delivery, or maintenance.
- Failure of the product if it is abused, misused, or used for other than the intended purpose or used commercially.
- Loss of food due to spoilage.
- Damage caused after delivery.
- Replacement of house fuses or resetting of circuit breakers.
- Replacement of the light bulbs.
- Damage to the product caused by accident, fire, floods or acts of God.
- Incidental or consequential damage caused by possible defects in this appliance.
- Product not accessible to provide required service.
- Associated costs when GE Appliances chooses to issue the consumer a certificate as a form of product replacement.

EXCLUSION OF IMPLIED WARRANTIES - Your sole and exclusive remedy is product repair as provided in this Limited Warranty. Any implied warranties, including the implied warranties of merchantability or fitness for a particular purpose, are limited to one year or the shortest period allowed by law.

LIMITED WARRANTY

For US Customers: This warranty is extended to the original purchaser and any succeeding owner for products purchased for home use within the USA. If the product is located in an area where service by a GE Appliances Authorized Servicer is not available, you may be responsible for a trip charge or you may be required to bring the product to an Authorized GE Appliances Service location for service. In Alaska, the warranty excludes the cost of shipping or service calls to your home.

Some states do not allow the exclusion or limitation of incidental or consequential damages. This warranty gives you specific legal rights, and you may also have other rights which vary from state to state. To know what your legal rights are, consult your local or state consumer affairs office or your state's Attorney General.

Warrantor US:
GE Appliances, a Haier company

For Customers in Canada: This warranty is

extended to the original purchaser and any succeeding owner for products purchased in Canada for home use within Canada. In-home warranty service will be provided in areas where it is available and deemed reasonable by Mabe to provide.

Warrantor Canada:
MC Commercial, Burlington, Ontario,
L7R 5B6

RECORD KEEPING

Thank you for purchasing this Haier product. This user manual will help you get the best performance from your new dual-drawer refrigerator.

For future reference, record the model number, serial number, and the date of purchase. The model/serial number plate is located on the outer, left-hand side of the upper drawer.

Staple your proof of purchase to this manual to aid in obtaining warranty service if needed.

Model number

Serial number

Date of purchase

TABLE DES MATIÈRES

SÉCURITÉ DU RÉFRIGÉRATEUR À DEUX TIROIRS	26
Mise au rebut de votre vieil appareil réfrigéré	27
PIÈCES ET CARACTÉRISTIQUES	28
EXIGENCES D'INSTALLATION	29
Outils nécessaires	29
Pièces fournies	29
Exigences d'emplacement	29
Spécifications électriques	30
INSTRUCTIONS D'INSTALLATION	31
Étape 1 - Déballer le réfrigérateur à deux tiroirs	31
Étape 2 - Préparer le réfrigérateur à deux tiroirs	32
Étape 3 - Installer le réfrigérateur à deux tiroirs	32
Étape 4 - Fin de l'installation	34
UTILISATION DU RÉFRIGÉRATEUR À DEUX TIROIRS	35
Panneau de commande	35
Caractéristiques	36
Bac à légumes	36
Séparateur réglable	37
Éclairage	37
ENTRETIEN DU RÉFRIGÉRATEUR À DEUX TIROIRS	16
Nettoyage	16
Vacances ou le déménagement	18
Réinstallation/réutilisation du réfrigérateur à deux tiroirs	19
DÉPANNAGE	20
GARANTIE LIMITÉE	22
DOCUMENTS À CONSERVER	24

IMPORTANTES INSTRUCTIONS DE SÉCURITÉ

⚠ AVERTISSEMENT

An de réduire le risque d'incendie, de explosion, de choc électrique, de blessures corporelles ou de dommage lors de l'utilisation du réfrigérateur à deux tiroirs, il convient d'observer certaines précautions fondamentales, notamment :

- Utiliser cet appareil uniquement dans le but auquel il est destiné et tel que décrit dans le présent manuel d'utilisation.
- Avant utilisation, cette centre de boissons doit être correctement installée conformément aux instructions d'installation. Voir les instructions de mise à la terre incluses dans les instructions d'installation.
- Brancher sur une prise à 3 alvéoles reliée à la terre.
- Ne pas enlever la prise de liaison à la terre.
- Ne pas utiliser d'adaptateur ou de rallonge.
- Ne réparer ni remplacer aucune pièce de l'appareil sans recommandation spécifique du manuel. Toutes les autres tâches d'entretien doivent être effectuées par un technicien qualifié.
- Déconnecter la source de courant électrique avant l'entretien.
- Replacer pièces et panneaux avant de faire la mise en marche.
- Utiliser un produit de nettoyage ininflammable.
- Abstenez-vous d'entreposer ou d'utiliser de l'essence ou d'autres vapeurs et liquides inflammables aux alentours de cet électroménager ou d'autres appareils.
- N'entreposez pas dans cet électroménager des substances explosives telles que des bombes aérosols qui contiennent un gaz propulseur.
- Avant de jeter l'appareil ou de le rendre inutilisable, retirer la porte. Cela réduira la possibilité de danger pour les enfants.
- Afin de prévenir les accidents graves ou la mort, les enfants ne doivent pas se tenir ni jouer dans ou sur l'électroménager.
- Les enfants et les personnes dont les capacités sont réduites sur le plan physique, sensoriel ou mental, ou qui manquent d'expérience ou de connaissances, peuvent utiliser cet électroménager seulement si elles sont surveillées ou ont reçues des consignes de sécurité sur son usage et les risques y sont associés.
- Cet électroménager est conçu pour une utilisation domestique et applications similaires : salle du personnel dans une usine, un bureau ou d'autres lieux de travail; maison de ferme; clients dans un hôtel, un motel, un gîte touristique et d'autres lieux résidentiels; approvisionnement et applications similaires non reliées au commerce de détail..

⚠ ATTENTION

Pour réduire le risque de blessures lorsque vous utilisez votre réfrigérateur, veuillez suivre les consignes de sécurité suivantes :

- Éloignez les doigts des parties du réfrigérateur où l'on peut facilement se pincer : les espaces entre le porte et la cuve sont toujours étroits. Soyez prudent lorsque vous fermez la porte en présence d'enfants.

SÉCURITÉ DU RÉFRIGÉRATEUR À DEUX TIROIRS

AVERTISSEMENTS DE LA PROPOSITION 65 DE L'ÉTAT DE LA CALIFORNIE:

▲ AVERTISSEMENT

Ce produit contient une ou plusieurs substances chimiques reconnues par l'État de Californie pour causer le cancer et des anomalies congénitales ou d'autres problèmes liés à la reproduction.

MISE AU REBUT DE VOTRE VIEIL APPAREIL

▲ AVERTISSEMENT

RISQUE DE SUFFOQUER OU D'Y ÊTRE EMPRISONNÉ

Le non-respect de ces instructions d'élimination peut entraîner la mort ou des blessures graves.

IMPORTANT: Les enfants pris au piège ou morts d'asphyxie sont toujours d'actualité. Les appareils électroménagers abandonnés sont toujours aussi dangereux, même si on n'attend que «quelques jours» pour s'en débarrasser. Si vous ne gardez pas votre ancien appareils électroménagers, veuillez suivre les directives ci-dessous afin de prévenir les accidents.

Avant de vous débarrasser de votre ancien appareil

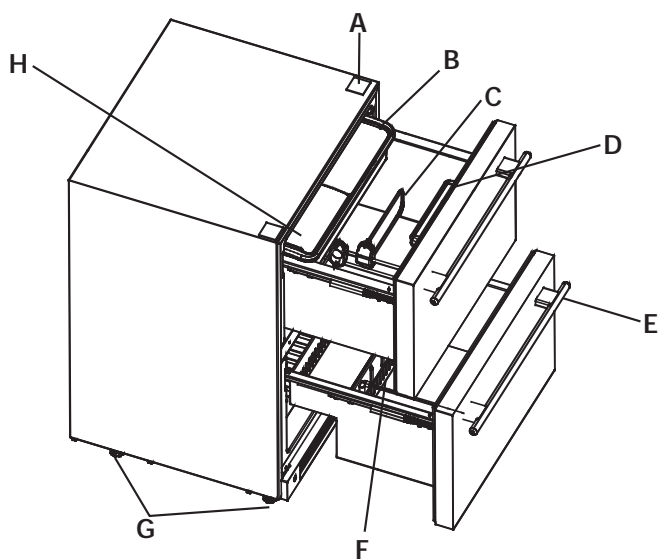
- Ôter les porte.
- Laisser les tiroirs en place de sorte que les enfants ne puissent pas y pénétrer facilement.

Mise au rebut des produits réfrigérants et en mousse

Mettez l'électroménager au rebut conformément à la réglementation fédérale et locale. Le fluide frigorigène inflammable et le matériel isolant utilisés nécessitent des procédures de mise au rebut spéciales. Communiquez avec les autorités locales pour connaître la façon de mettre votre électroménager au rebut qui soit respectueuse de l'environnement.

LIRE ET CONSERVER CES INSTRUCTIONS

PIÈCES ET CARACTÉRISTIQUES



- A. Cache-trou
- B. Bac à légumes
- C. Séparateur du tiroir supérieur
- D. Panneau de commande
- E. Poignée
- F. Séparateur du tiroir inférieur
- G. Pieds de nivellement
- H. Trousse d'accessoires (brides antibasculement et vis)

INSTRUCTIONS D'INSTALLATION

OUTILS NÉCESSAIRES

- Tournevis Phillips
- Mètre ruban
- Niveau

PIÈCES FOURNIES

- Brides antibasculement
- Vis

EXIGENCES D'EMPLACEMENT

⚠ AVERTISSEMENT



Risque d'explosion ou Incendie

Garder les matériaux et les vapeurs inflammables, telles que l'essence, loin de l'appareil.

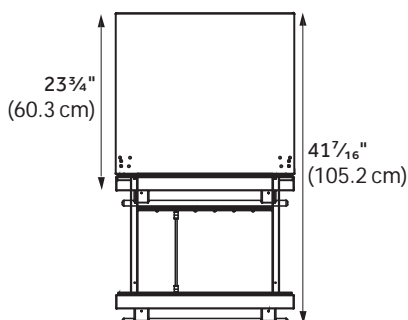
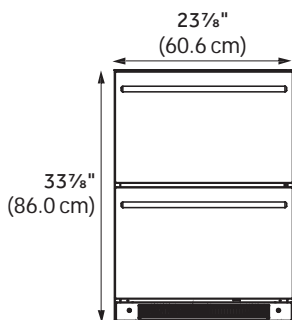
Le non-respect de cette instruction peut causer un décès, une explosion ou un incendie.

IMPORTANT: Ce réfrigérateur à deux tiroirs est prévu pour une utilisation encastrée uniquement. Avant utilisation, ce réfrigérateur à deux tiroirs doit être correctement installé.

REMARQUE : Laisser le réfrigérateur à deux tiroirs debout sur son socle pendant au moins une heure avant installation.

- N'installez pas le réfrigérateur à deux tiroirs dans une pièce où les températures descendent en-dessous de 55 °F (13 °C) parce qu'il serait difficile d'y maintenir une température correcte.
- N'installez pas le réfrigérateur à deux tiroirs dans un endroit où la température ambiante sera supérieure à 110 °F (43 °C). Il ne fonctionnera pas correctement.
- Il doit être installé sur une surface suffisamment solide pour supporter le poids d'un réfrigérateur à deux tiroirs rempli.
- N'installez pas le réfrigérateur à deux tiroirs dans un endroit exposé à l'eau (pluie, etc.) ou directement aux rayons solaires.

DIMENSIONS DU RÉFRIGÉRATEUR À DEUX TIROIRS



EXIGENCES D'INSTALLATION

BRANCHEMENTS ÉLECTRIQUES

⚠ AVERTISSEMENT



RISQUE DE CHOC ÉLECTRIQUE

Branchez l'appareil dans une prise triple avec terre.

Ne retirez pas la broche de terre.

N'utilisez pas d'adaptateur.

N'utilisez pas un cordon de rallonge.

Le non-respect de ces instructions peut entraîner des risques d'incendies, des chocs électriques ou la mort.

Ne coupez pas ou n'enlevez pas, sous aucun prétexte, la troisième broche de mise à la terre du cordon d'alimentation. Pour des raisons de sécurité, cet appareil doit être correctement mis à la terre.

Le cordon d'alimentation de cet appareil est équipé d'une fiche à trois broches (pour une mise à la terre) qui s'adapte à la prise de courant standard à 3 broches (pour une mise à la terre) pour minimiser les risques de chocs électriques par cet appareil.

Faites vérifier la prise murale et le circuit électrique par un électricien qualifié pour s'assurer que le système est correctement mis à la terre.

Dans le cas d'une prise biphasée, l'installateur a la responsabilité et l'obligation de la remplacer par une prise triphasée correctement mise à la terre. N'utilisez pas d'adaptateur.

Le réfrigérateur à deux tiroirs doit toujours être branché à sa propre prise électrique d'une tension nominale correspondant à celle indiquée sur sa plaque signalétique.

Une alimentation électrique à 115 volts CA, 60 Hz, avec un fusible de 15 ou 20 ampères et une mise à la terre est nécessaire. Ceci permet d'obtenir un meilleur rendement et évite de surcharger les circuits électriques du domicile qui risque d'occasionner un incendie en surchauffant.

Ne débranchez jamais le réfrigérateur à deux tiroirs en tirant sur le cordon d'alimentation. Prenez toujours fermement la fiche en main et tirez pour la sortir de la prise.

Cessez immédiatement d'utiliser un cordon électrique endommagé. Si le cordon électrique est endommagé, son remplacement doit être effectué par un technicien en réparation qualifié au moyen d'un cordon de rechange autorisé par le fabricant.

Lorsque vous éloignez votre réfrigérateur à deux tiroirs du mur, faites attention à ne pas le faire rouler sur le cordon d'alimentation afin de ne pas l'endommager.

REMARQUE : Avant d'effectuer tout type d'installation ou de nettoyage, déconnecter le réfrigérateur à deux tiroirs de la source de courant électrique. Une fois l'opération terminée, reconnecter le réfrigérateur à deux tiroirs à la source de courant électrique et remettre la commande de température au réglage désiré.

INSTRUCTIONS D'INSTALLATION

ÉTAPE 1 - DÉBALLER LE RÉFRIGÉRATEUR À DEUX TIROIRS

⚠ AVERTISSEMENT RISQUE DU POIDS EXCESSIF

Utiliser au moins deux personnes pour déplacer et installer le réfrigérateur à deux tiroirs.

Le non-respect de cette instruction peut causer une blessure au dos ou d'autre blessure.

⚠ AVERTISSEMENT RISQUE DE COUPURE

Les bords de la caisse et les zones comportant un code d'identification ou des découpes peuvent être tranchants. Garder les mains, les doigts ou autres appendices éloignés de ces zones.

Le non-respect de cette instruction peut causer des coupures.

IMPORTANT : Manipuler le réfrigérateur à deux tiroirs avec précautions lorsqu'il est déplacé soit pour éviter d'endommager le circuit frigorigène, soit pour diminuer le risque de fuites.

IMPORTANT : Lorsque le réfrigérateur à deux tiroirs est déplacé, ne jamais l'incliner à plus de 45°. Cela pourrait endommager le compresseur et le système scellé. Si le réfrigérateur à deux tiroirs a été placé en position horizontale pendant un moment, attendre 30 minutes avant de brancher le réfrigérateur à deux tiroirs pour que le réfrigérant se remette en place.

RETRAIT DES MATÉRIAUX D'EMBALLAGE

- Enlever tout résidu de ruban adhésif et de colle des surfaces du réfrigérateur à deux tiroirs avant de le mettre en marche. Frotter une petite quantité de savon liquide à vaisselle sur l'adhésif avec les doigts. Rincer à l'eau tiède et sécher.

REMARQUE : Ne pas utiliser d'instruments coupants, d'alcool à friction, de liquides inflammables ou de nettoyeurs abrasifs pour enlever le ruban adhésif ou la colle. Ces produits peuvent endommager la surface du réfrigérateur à deux tiroirs. Pour plus de renseignements, voir "Sécurité du réfrigérateur à deux tiroirs".

- Jeter/recycler tous les matériaux d'emballage.

NETTOYAGE AVANT UTILISATION

Après avoir enlevé tous les matériaux d'emballage, nettoyer l'intérieur du réfrigérateur à deux tiroirs avant de l'utiliser. Voir les instructions de nettoyage dans "Entretien du réfrigérateur à deux tiroirs".

INSTRUCTIONS D'INSTALLATION

ÉTAPE 2 - PRÉPARER LE RÉFRIGÉRATEUR À DEUX TIROIRS

1. Ouvrir le tiroir supérieur en le tirant. Ôter les bacs à légumes et les mettre de côté.
2. Dégager des deux mains la tige métallique à l'avant et à l'arrière du tiroir. À deux mains, soulever la tige métallique du séparateur du tiroir et la dégager des encoches situées à l'avant et à l'arrière du tiroir.
3. Une fois que la tige du séparateur du tiroir est dégagée des encoches, tourner la tige pour former un angle à l'avant du tiroir. Soulever lentement la tige du tiroir pour éviter de la cogner sur le panneau de commande, puis mettre de côté le séparateur.
4. Fermer le tiroir supérieur pour éviter de l'endommager durant l'installation.

ÉTAPE 3 - INSTALLER LE RÉFRIGÉRATEUR À DEUX TIROIRS

En fonction du matériau de votre plan de travail, utiliser soit la méthode 1 Installation dans un plan de travail, soit la méthode 2 - Installation dans un placard adjacent pour fixer solidement le réfrigérateur à deux tiroirs.

⚠ AVERTISSEMENT



Risque de basculement

Ne pas utiliser le réfrigérateur à deux tiroirs si l'installation n'est pas terminée.

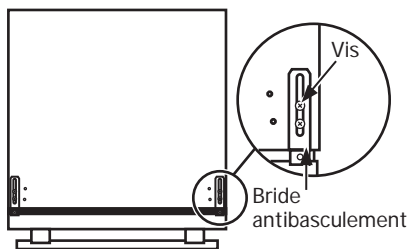
Ne pas appuyer sur un tiroir ouvert.

Le non-respect de ces instructions peut causer une blessure grave ou des coupures.

MÉTHODE 1 - INSTALLATION DANS UN PLAN DE TRAVAIL

Fixer les brides basculement

1. Soulever les cache-trous du sommet de la caisse pour dévoiler les trous destinés à installer les brides antibasculement.
2. Ouvrir le tiroir supérieur et le laisser ouvert pour installer la brides antibasculement.
3. Ôter les brides antibasculement et les vis du sachet d'accessoires.
4. À l'aide des vis fournies, poser les brides antibasculement sur le dessus de la caisse, des deux côtés.



INSTRUCTIONS D'INSTALLATION

ÉTAPE 3 - INSTALLER LE RÉFRIGÉRATEUR À DEUX TIROIRS (Suite)

MÉTHODE 1 - INSTALLATION DANS UN PLAN DE TRAVAIL (Suite)

Régler l'aplomb du réfrigérateur à deux tiroirs

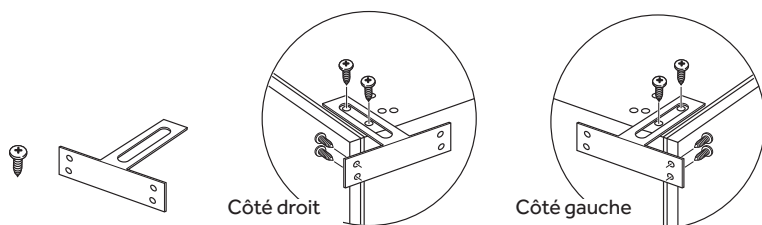
Il peut être nécessaire de régler les pieds de nivellement sous le réfrigérateur à deux tiroirs pour bien l'installer dans l'ouverture du placard.

1. Régler la hauteur de l'arrière du réfrigérateur à deux tiroirs en relevant ou en abaissant les pieds de nivellement arrière, puis en commençant à faire coulisser le réfrigérateur à deux tiroirs dans l'ouverture sous le plan de travail.
2. Régler l'avant du réfrigérateur à deux tiroirs, en relevant ou en abaissant les pieds de nivellement jusqu'à ce qu'il rentre sous le plan de travail, en laissant suffisamment d'espace pour installer la bride antibasculement sur le dessous du plan de travail.
3. Relever les pieds de nivellement avant jusqu'à ce que la bride antibasculement soit en affleurement avec le dessous du plan de travail.
4. Installer le réfrigérateur à deux tiroirs sous le plan de travail.

MÉTHODE 2 - INSTALLATION DANS UN PLACARD ADJACENT

Fixer les brides antibasculement

1. Soulever le cache-trous du sommet de la caisse pour dévoiler les trous destinés à installer les brides antibasculement.
2. Ouvrir le tiroir supérieur et le laisser ouvert pour installer les brides antibasculement.
3. Ôter les brides antibasculement et les vis du sachet d'accessoires.
4. Fixer les brides antibasculement sur chaque côté du sommet de la caisse à l'aide des vis fournies.



Régler l'aplomb du réfrigérateur à deux tiroirs

Il peut être nécessaire de régler les pieds de nivellement sous le réfrigérateur à deux tiroirs pour bien l'installer dans l'ouverture du placard.

1. Régler la hauteur de l'arrière du réfrigérateur à deux tiroirs en relevant ou en abaissant les pieds de nivellement arrière, puis commencer à faire coulisser le réfrigérateur à deux tiroirs dans l'ouverture sous le plan de travail.
2. Régler l'avant du réfrigérateur à deux tiroirs en relevant ou en abaissant les pieds de nivellement, jusqu'à ce que le réfrigérateur rentre sous le plan de travail.
3. Installer le réfrigérateur à deux tiroirs dans le placard.

INSTRUCTIONS D'INSTALLATION

ÉTAPE 4- FIN DE L'INSTALLATION

⚠ AVERTISSEMENT



Risque de choc électrique

Brancher sur une prise à 3 alvéoles reliée à la terre.

Ne pas enlever la broche de liaison à la terre du cordon d'alimentation.

Ne pas utiliser un adaptateur.

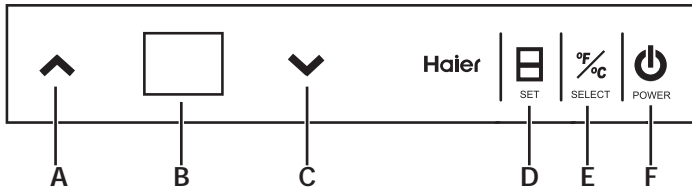
Ne pas utiliser un câble de rallonge.

Le non-respect de cette instruction pourrait causer un décès, un incendie ou un choc électrique.

- Brancher sur une prise de courant à 3 alvéoles, reliée à la terre.

UTILISATION DU RÉFRIGÉRATEUR À DEUX TIROIRS

PANNEAU DE COMMANDE



- | | |
|-----------------------------|---------------------------------------|
| A. Augmenter la température | D. Verrouillage/Réglage des commandes |
| B. Écran à DEL | E. Conversion °C/°F |
| C. Diminuer la température | F. Interrupteur d'alimentation |

RÉGLAGE DE TEMPÉRATURE

La gamme de températures pour le modèle de réfrigérateur à deux tiroirs s'étend de 34 °F à 45 °F (1,1 °C et 7,2 °C).

Si l'on souhaite modifier la température, appuyer sur SET (réglage) pendant 3 secondes. La commande émet un signal sonore et la température clignote sur le panneau de commande. Régler la température à l'aide des boutons et .

Lorsque la température souhaitée apparaît sur l'affichage, appuyer sur SET (réglage) pour confirmer. La commande émet un signal sonore et la température s'arrête de clignoter.

CONVERSION ENTRE °C ET °F

Appuyer sur la touche SELECT (sélectionner) pendant 3 secondes. L'affichage de la température passe des degrés Fahrenheit aux degrés Celsius. La commande émet un signal sonore.

Appuyer sur la touche SELECT (sélectionner) pendant 3 secondes. L'affichage de la température passe des degrés Celsius aux degrés Fahrenheit. La commande émet un signal sonore.

ALLUMER/ÉTEINDRE LE RÉFRIGÉRATEUR À DEUX TIROIRS

- Appuyer sur POWER (mise en route) pendant 3 secondes pour allumer et éteindre le réfrigérateur.

Pour éteindre le réfrigérateur à deux tiroirs pendant une période prolongée :

- Éteindre le réfrigérateur à deux tiroirs et le débrancher de la prise.
- Ôter les aliments et nettoyer le réfrigérateur à deux tiroirs.
- Laisser les tiroirs entrouverts pour éviter les odeurs.

UTILISATION DU RÉFRIGÉRATEUR À DEUX TIROIRS

PANNEAU DE COMMANDE (Suite)

MODE SABBAT

Cette caractéristique est disponible pour le respect de certaines fêtes religieuses. En mode Sabbat, le réfrigérateur à deux tiroirs continue de fonctionner (compresseur, électrovanne, ventilateur, circuit de l'élément chauffant) mais toutes les lumières, notamment celle du panneau de commande et les DEL sont éteintes, que la porte soit ouverte ou fermée.

Appuyer simultanément sur les boutons et pendant 3 secondes. La commande émet un signal sonore et le panneau d'affichage clignote 5 fois puis s'arrête pour indiquer que le réfrigérateur à deux tiroirs est entré en mode Sabbat.

Appuyer simultanément sur les boutons et pendant 3 secondes pour désactiver le mode Sabbat. Le panneau d'affichage clignote 5 fois pour indiquer la sortie du mode Sabbat.

ALARME DE PORTE ENTROUVERTE

Si un tiroir est entrouvert pendant plus de 3 minutes, le panneau de commande émet un signal sonore. Pour arrêter l'alarme sans fermer le tiroir, appuyer sur SET (réglage).

CARACTÉRISTIQUES DES TIROIRS

Le réfrigérateur à deux tiroirs est conçu pour contenir des charges allant jusqu'à 88,2 lb (40 kg) au total, ou 44,1 lb (20 kg) par tiroir. Le tiroir supérieur peut contenir des articles d'une hauteur maximum de 12" (30,5 cm). Le tiroir inférieur est divisé par une cloison. Les articles d'une hauteur supérieure à 12" (30,5 cm) peuvent être rangés dans la section sans cloison.

BAC À LÉGUMES

- Le bac à légumes est un endroit pratique pour ranger les légumes frais.
- Un bac à légumes avec couvercle se trouve dans le tiroir supérieur.
- Le bac à légumes peut être retiré lorsqu'il n'est pas utilisé.

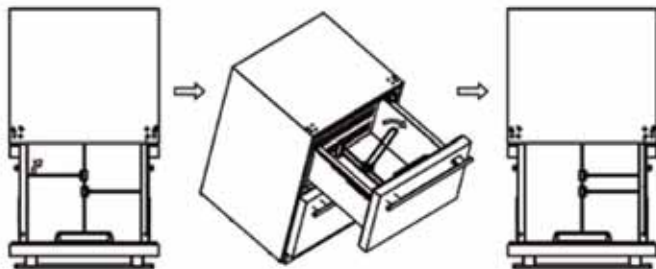
UTILISATION DU RÉFRIGÉRATEUR À DEUX TIROIRS

SÉPARATEUR RÉGLABLE

Chaque tiroir est équipé d'un séparateur. Pour ranger les aliments plus librement, les séparateurs peuvent être réglés ou retirés.

Réglage du séparateur du compartiment supérieur :

Le tiroir supérieur est divisé par des séparateurs attachés au support du bac. Les deux séparateurs peuvent être réglés soit de gauche à droite, soit de l'arrière vers l'avant comme illustré.



Pour faciliter le nettoyage, les séparateurs peuvent être retirés. Voir "Préparation du réfrigérateur à deux tiroirs".

Réglage du séparateur du compartiment inférieur :

Pour ranger les aliments plus librement, le séparateur du tiroir inférieur peut être inséré entre n'importe laquelle des encoches des parois avant et arrière du tiroir.

ÉCLAIRAGE

IMPORTANT : Le réfrigérateur à deux tiroirs est équipé d'un éclairage DEL. Cet éclairage est conçu pour durer toute la durée de vie du réfrigérateur à deux tiroirs. Toutefois, si l'éclairage s'arrête de fonctionner, contacter un technicien qualifié pour effectuer le remplacement.

Une DEL se situe en haut des tiroirs supérieur et inférieur. L'éclairage DEL est contrôlé par l'ouverture et la fermeture des tiroirs. Lorsqu'un tiroir est ouvert, la DEL est allumée. Lorsque le tiroir est fermé, la DEL est éteinte.

IMPORTANT : Des aimants sont fixés sur la partie intérieure gauche du tiroir supérieur et au bas de la porte du tiroir inférieur. Ne pas retirer les aimants, car ceux-ci sont nécessaires au bon fonctionnement du système d'éclairage.

ENTRETIEN DU RÉFRIGÉRATEUR À DEUX TIROIRS

NETTOYAGE

Le réfrigérateur à deux tiroirs se dégivre automatiquement. L'eau sur la paroi arrière se vidange dans le réservoir d'eau et s'évapore par le condensateur.

IMPORTANT : Ne pas utiliser de produits chimiques corrosifs, d'ammoniaque, d'agent de blanchiment, de détergents concentrés, de solvant ou de tampons à récurer métalliques ou abrasifs pour nettoyer l'intérieur ou l'extérieur du produit. Ceux-ci peuvent endommager et/ou décolorer le ni.

⚠ AVERTISSEMENT



Risque de choc électrique

Débrancher votre appareil ou déconnecter la source de courant électrique avant de le nettoyer.

Le non-respect de cette instruction peut causer un décès, un choc électrique ou blessures.

Renseignements Généraux

1. Débrancher ou déconnecter la source de courant électrique.
2. Laver les surfaces intérieures, les accessoires et le cadre extérieur avec une solution d'eau tiède mélangée à 3-4 cuillères à soupe de bicarbonate de soude.

REMARQUE : Avant d'utiliser des produits de nettoyage, toujours lire et suivre les instructions et avertissements du fabricant an d'éviter toute blessure ou dommage du produit.

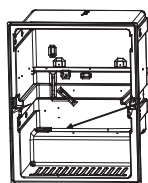
3. Rincer à l'eau tiède propre.
4. Sécher soigneusement avec un chiffon doux.
5. Brancher l'appareil ou reconnecter la source de courant électrique.

ENTRETIEN DU RÉFRIGÉRATEUR À DEUX TIROIRS

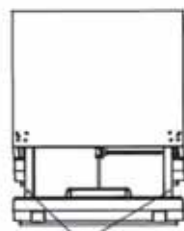
6. Nettoyer le trou d'écoulement à l'aide d'un petit ustensile doux comme par exemple un coton-tige. Pour accéder au trou d'écoulement, il faut au préalable ôter le tiroir inférieur.

Pour retirer le tiroir inférieur :

1. Sortir complètement le tiroir en le faisant coulisser.
2. À l'aide d'un tournevis, retirer les 2 vis fixant le tiroir inférieur aux rails du tiroir.
3. Ôter le tiroir inférieur.
4. Nettoyer le trou d'écoulement comme illustré ci-dessous à l'aide d'un ustensile doux comme par exemple un coton-tige, puis installer le tiroir inférieur en suivant les étapes ci-dessus en sens inverse.



Emplacement
du trou
d'écoulement



Emplacement des vis

Joint d'étanchéité de la porte

Les joints doivent être maintenus propres et souples pour assurer une étanchéité convenable.

- Nettoyer les joints d'étanchéité de la porte tous les 3 mois avec une solution de bicarbonate de soude et d'eau chaude.
- Un peu de vaseline appliquée sur les joints côté charnière maintiendra la souplesse du joint et garantira une bonne étanchéité.

VACANCES OU LE DÉMÉNAGEMENT

Vacances

Si l'on prévoit de s'absenter pendant une longue période et que l'on ne souhaite pas laisser l'appareil en marche pendant tout ce temps, il faut alors le préparer pour cette absence.

1. Retirer les aliments du congélateur.
2. Maintenir enfoncé le bouton POWER du panneau de commande durant 3 secondes pour désactiver le refroidissement.
3. Débrancher ou déconnecter la source de courant électrique.
4. Nettoyer l'intérieur. Voir "Nettoyage".
5. Nettoyer les joints du couvercle/de la porte. Voir la section "Nettoyage".
6. Maintenez les tiroirs ouvertes afin que l'air puisse circuler à l'intérieur.

Déménagement

En cas de déménagement et de déplacement du réfrigérateur dans une nouvelle habitation, suivre ces étapes pour préparer le déménagement.

IMPORTANT:

- Manipuler avec précaution lors du déplacement pour éviter soit d'endommager le circuit frigorigène, soit d'augmenter le risque de fuites.
 - Lorsque le réfrigérateur est déplacé, ne jamais l'incliner à plus de 45°. Cela pourrait endommager le compresseur et le système scellé.
1. Procéder à la préparation en effectuant les étapes 1 à 5. Voir la section "Vacances".
 2. Retirer toutes les pièces amovibles, bien les envelopper et les attacher ensemble avec du ruban adhésif pour qu'elles ne bougent ou ne s'entrechoquent pas durant le déménagement.
 3. Utiliser du ruban adhésif pour maintenir les tiroirs fermés et fixer le cordon d'alimentation sur l'arrière du réfrigérateur.

RÉINSTALLATION/RÉUTILISATION DU RÉFRIGÉRATEUR À DEUX TIROIRS

IMPORTANT : Si le réfrigérateur a été placé en position horizontale ou incliné pendant un moment, attendre 30 minutes avant de le brancher pour que le réfrigérant se remette en place.

1. Nettoyer le réfrigérateur. Voir "Nettoyage".
2. Placer le réfrigérateur à l'emplacement souhaité et régler son aplomb. Voir "Instructions d'installation".

⚠ AVERTISSEMENT



Risque de choc électrique

Brancher sur une prise à 3 alvéoles reliée à la terre.

Ne pas enlever la broche de liaison à la terre du cordon d'alimentation.

Ne pas utiliser un adaptateur.

Ne pas utiliser un câble de rallonge.

Le non-respect de cette instruction pourrait causer un décès, un incendie ou un choc électrique.

3. Brancher sur une prise à 3 alvéoles reliée à la terre.

DÉPANNAGE

Essayez tout d'abord les solutions suggérées ici et évitez les coûts pour le service de réparation.

PROBLÈME	CAUSE(S) POSSIBLE(S)	SOLUTION
<i>Le réfrigérateur à deux tiroirs ne se met pas en route</i>	Le réfrigérateur à deux tiroirs est débranché	Brancher le cordon d'alimentation électrique dans la prise de courant.
	Le disjoncteur est ouvert ou déclenché/un fusible est grillé	Réenclencher le disjoncteur ou remplacer le fusible
<i>Le compresseur du réfrigérateur à deux tiroirs se met en route souvent ou pendant des périodes prolongées</i>	Ceci est normal lorsque le réfrigérateur est branché pour la première fois	Accorder 24 heures pour que le réfrigérateur à deux tiroirs se refroidisse complètement
	Des aliments chauds ou de grosses quantités d'aliments ont été ajoutés	Ceci est normal
	La porte a été laissée entrouverte	S'assurer qu'un article ne bloque pas la fermeture de la porte
	Temps chaud ou ouvertures fréquentes	Ceci est normal pour maintenir une température constante lorsqu'il fait chaud et humide
	Le joint n'est pas hermétique	Nettoyer le joint
<i>Il y a une odeur dans le réfrigérateur à deux tiroirs</i>	Les emballages alimentaires ne sont pas étanches ou les aliments ne sont pas emballés correctement	Refermer hermétiquement les emballages. Placer une boîte ouverte de bicarbonate de soude dans le réfrigérateur à deux tiroirs, la remplacer tous les 3 mois
	L'intérieur a besoin d'être nettoyé	Nettoyer l'intérieur. Voir "Nettoyage"
	Les aliments ont été conservés trop longtemps	Jeter les aliments gâtés
<i>La lumière ne s'allume pas</i>	Le réfrigérateur à deux tiroirs est débranché	Le brancher à la source de courant électrique
	L'ampoule DEL est grillée.	Contacteur un technicien qualifié pour remplacer la DEL grillée
<i>Les tiroirs ne ferment pas correctement</i>	Le réfrigérateur à deux tiroirs n'est pas d'aplomb	Voir "Réglage de l'aplomb"
	Quelque chose bloque la fermeture de la porte	Vérifier si la porte rencontre une obstruction (p. ex. bouteilles, aliments, renversements, etc.) et la retirer
<i>Vibration ou cliquetis</i>	Le réfrigérateur à deux tiroirs n'est pas en contact ferme avec le plancher	Voir "Réglage de l'aplomb"

DÉPANNAGE

PROBLÈME	CAUSE(S) POSSIBLE(S)	SOLUTION
<i>Sons normaux</i>	Son donnant l'impression que de l'eau s'écoule du réfrigérateur à deux tiroirs	<p>Ce son est émis par le réfrigérant qui s'écoule dans les canalisations lorsque le compresseur se met en marche et s'arrête</p> <p>Le réfrigérateur à deux tiroirs est équipé d'un système de dégivrage automatique. Ce son est émis par l'eau dégivrée</p>
	Ronflement ou bourdonnement	Ce son peut être émis par le compresseur et les ventilateurs servant à la circulation de l'air froid. Si le réfrigérateur n'est pas d'aplomb, le son sera plus fort
	Craquement ou cliquetis	Ce son est émis par les parties intérieures lorsqu'elles se contractent ou se dilatent en réponse à des changements de température
TEMPÉRATURE ET HUMIDITÉ		
<i>Le réfrigérateur à deux tiroirs est trop chaud</i>	La commande de température n'a pas été réglée à un point assez bas	Régler la température à un point plus froid; attendre 24 heures que la température s'ajuste
	Porte ouverte souvent ou laissée ouverte	Maintenir la porte fermée / Vérifier qu'un emballage ne bloque pas la fermeture de la porte
	Des aliments tièdes ont été ajoutés récemment	Attendre que les aliments et le réfrigérateur à deux tiroirs aient refroidi
	Le joint n'est pas hermétique	Nettoyer le joint
<i>Le réfrigérateur à deux tiroirs est trop froid</i>	La commande de température a été réglée à un point trop bas	Augmenter la température du compartiment au prochain palier; attendre 24 heures que la température s'ajuste
<i>Humidité sur l'extérieur/ l'intérieur du réfrigérateur à deux compartiments</i>	Forte présence d'humidité	Ceci est normal. Sécher la surface et régler la température à un point légèrement plus froid
	Porte ouverte souvent ou laissée ouverte	Garder la porte fermée. Vérifier qu'un emballage ne bloque pas la fermeture de la porte
	Le joint n'est pas hermétique	Nettoyer le joint

POUR OBTENIR DE L'AIDE SUPPLÉMENTAIRE, VISITER HAIERAMERICA.COM OU CONTACTER LA LIGNE D'ASSISTANCE À LA CLIENTÈLE AU 1-877-337-3639.

GARANTIE LIMITÉE

12 mois sur les pièces et la main-d'œuvre

Durant les 12 mois suivant la date d'achat d'origine au détail, GE Appliances remplacera toute pièce du réfrigérateur présentant une déféctuosité en raison d'un vice de matière ou de fabrication. Le choix entre le remplacement ou la réparation de l'appareil défectueux sera à la discrétion de GE Appliances. Dans le cas où GE Appliances déciderait de réparer l'appareil défectueux, GE Appliances fournira toute pièce défectueuse en raison d'un vice de matière ou de fabrication, et assumera les frais de main-d'œuvre et de service associés à réparation de la pièce. Advenant une décision de remplacer l'appareil durant cette période, GE Appliances pourrait procéder en vous fournissant un certificat échangeable auprès d'un détaillant contre un produit de remplacement.

Le produit doit être accessible, dégagé et installé correctement pour bénéficier du service de réparation sous garantie.

REMARQUE : Cette garantie prend effet à la date à laquelle l'article a été acheté et le reçu de l'achat d'origine doit être présenté au représentant de dépannage autorisé avant qu'une quelconque réparation sous garantie ne soit effectuée.

SERVICE AU TITRE DE LA GARANTIE

Aux États-Unis, toutes les réparations sous garantie doivent être réalisées par nos Factory Service Centers ou un technicien Customer Care autorisé. Composez le 1.877.337.3639 pour prévoir un rendez-vous

Veuillez avoir votre numéro de série et votre numéro de modèle à portée de main lorsque vous appelez pour obtenir un service.

Au Canada, composez le 1.877.337.3639.

EXCLUSION DES GARANTIES TACITES : Votre recours exclusif est l'échange du produit suivant les modalités de la Garantie Limitée. Toutes garanties tacites, y compris les **garanties de valeurs marchandes ou d'adéquation à des fins particulières, sont limitées à une durée d'un an ou à la durée la plus courte autorisée par la loi.**

Cette garantie ne couvre pas :

Toute visite à votre domicile pour vous expliquer le fonctionnement de l'appareil.

Mauvaise installation, livraison ou entretien.

Toute déféctuosité du produit lorsqu'il est utilisé de façon abusive, ou à des fins commerciales ou à toute autre fin que celle pour laquelle il a été conçu.

Perte des aliments due à la détérioration.

Dommage subi après la livraison.

Remplacement des ampoules de lampe.

Le remplacement des fusibles ou le réenclenchement des disjoncteurs.

Tout dommage au produit attribuable à un accident, un incendie, une inondation ou un cas de force majeure.

Tout dommage direct ou indirect attribuable à une déféctuosité éventuelle de l'appareil.

Le service s'il est impossible d'avoir accès au produit pour ce faire.

Les coûts associés lorsque GE Appliances choisit d'émettre un certificat échangeable contre un produit de remplacement

GARANTIE LIMITÉE

Pour les clients des États-Unis : Cette garantie est étendue à l'acheteur d'origine et aux propriétaires suivants pour tout produit acheté pour une utilisation domestique aux États-Unis. Si le produit est installé dans une région où ne se trouve aucun réparateur autorisé GE Appliances, vous devrez peut-être assumer les frais de transport ou apporter l'appareil à un centre de service autorisé GE Appliances. En Alaska, cette garantie exclut le coût d'expédition ou de dépannage à votre domicile.

Certains états n'acceptent pas d'exclusion ou de limites aux dommages indirects consécutifs. Certains droits particuliers vous sont dévolus en vertu de la présente garantie et peuvent s'accompagner d'autres droits qui varient selon votre lieu de résidence. Pour connaître vos droits juridiques, veuillez consulter le bureau local ou le bureau d'état des affaires aux consommateurs ou le Procureur Général de votre état.

Garant : GE Appliances, *a Haier company*

Pour les clients des Canada : Cette garantie est étendue à l'acheteur d'origine et aux propriétaires suivants pour tout produit acheté aux Canada pour une utilisation domestique aux Canada. Le service à domicile en vertu de la garantie sera fourni dans les régions où il est disponible et où Mabe estime raisonnable de le fournir.

Garant Canada:
MC Commercial, Burlington, Ontario,
L7R 5B6

DOCUMENTS À CONSERVER

Merci d'avoir acheté ce produit Haier. Ce manuel d'utilisation vous aidera à obtenir la meilleure performance possible de votre nouvelle cuisinière.

Pour référence ultérieure, inscrire le numéro de plaque signalétique situé sur le cadre à l'intérieur de la cuisinière, et la date d'achat.

Pour faciliter l'obtention d'un service sous garantie, agraffer la preuve de la date d'achat à ce manuel.

Numéro de modèle

Numéro de série

Date d'achat

ÍNDICE

SEGURIDAD DEL REFRIGERADOR DE DOBLE CAJÓN	48
Cómo deshacerse adecuadamente de su aparato refrigerador viejo	49
PIEZAS Y CARACTERÍSTICAS	50
REQUISITOS DE INSTALACIÓN	51
Herramientas necesarias	51
Piezas suministradas	51
Requisitos de ubicación	51
Conexión de la electricidad	52
INSTRUCCIONES DE INSTALACIÓN	53
Paso 1 - Cómo desempacar el refrigerador de doble cajón	53
Paso 2 - Preparación del refrigerador de doble cajón	54
Paso 3 - Instalación del refrigerador de doble cajón	54
Paso 4 - Complete la instalación	56
USO DEL DOBLE CAJÓN	57
Control	57
Características	58
Cajón para verduras	58
Divisor regulable	59
Luces	59
CUIDADO DEL DOBLE CAJÓN	60
Limpieza	60
Vacaciones y mudanzas	62
Reinstalling/Using Dual-Drawer Refrigerator Again	63
SOLUCIÓN DE PROBLEMAS	64
GARANTÍA LIMITADA	66
INFORMACIÓN A TENER EN CUENTA	67

INSTRUCCIONES IMPORTANTES DE SEGURIDAD

⚠️ ADVERTENCIA

Para reducir el riesgo de incendio, explosión, choque eléctrico, lesiones a personas o daños al utilizar el refrigerador de doble cajón, siga precauciones básicas, incluyendo las siguientes:

- Use este aparato solamente para el propósito que fue diseñado, como se describe en este manual para el usuario.
- Esta centro de la bebida debe instalarse correctamente de acuerdo con las instrucciones de instalación antes de que se use. Vea las instrucciones de conexión a tierra en la sección de instalación.
- Conecte a un contacto de pared de conexión a tierra de 3 terminales.
- No quite el terminal de conexión a tierra.
- No use un adaptador o un cable eléctrico de extensión.
- No repare ni reemplace ningún componente del aparato a menos que se recomiende específicamente en el manual. Todas las demás tareas de mantenimiento deben ser realizadas por un técnico calificado.
- Desconecte el suministro de energía antes de darle servicio técnico.
- Vuelva a colocar todas las piezas y paneles antes de ponerlo en funcionamiento.
- Use un limpiador no inflamable.
- No guarde ni use gasolina u otros vapores inflamables y líquidos cerca de este ni de otro electrodoméstico.
- No guarde sustancias explosivas tales como latas de aerosoles con propelentes inflamables en este electrodoméstico.
- Antes de desechar o dejar de utilizar el aparato, quítele la puerta. Esto evitará que los niños se lastimen.
- Para evitar lesiones graves o la muerte, los niños no se deberán parar sobre ni jugar en o con el electrodoméstico.
- Los niños y las personas con capacidad física, sensorial o mental reducida o con falta de experiencia y conocimiento podrán usar este electrodoméstico sólo si son supervisados o les fueron dadas instrucciones sobre un uso seguro y entienden los riesgos involucrados.
- Este electrodoméstico fue diseñado para uso hogareño y para aplicaciones similares tales como: áreas de personal de cocina en tiendas, oficinas y otros espacios laborales; casas de campo; por clientes en hoteles, moteles, hostales y otros espacios residenciales, catering y aplicaciones no minoristas similares.

⚠️ PRECAUCIÓN

Para reducir el riesgo de lesiones al usar el refrigerador, siga estas precauciones básicas.

- Mantenga los dedos fuera de las áreas de "pellizco"; Los espacios libres entre la puerta y el gabinete son necesariamente pequeños. Tenga cuidado al cerrar la puerta cuando los niños están en el área.

SEGURIDAD DEL REFRIGERADOR DE DOBLE CAJÓN

ADVERTENCIAS DE LA PROPOSICIÓN 65 DEL ESTADO DE CALIFORNIA

▲ ADVERTENCIA Este producto contiene uno o más químicos que el Estado de California entiende que producen cáncer y defectos en el nacimiento u otros daños reproductivos.

DISPOSICIÓN APROPIADA DE SU ANTIGUO APARATO

▲ ADVERTENCIA PELIGRO DE ATRAPAMIENTO Y ASFIXIA

El incumplimiento de estas instrucciones de eliminación puede causar la muerte o lesiones graves.

IMPORTANTE: El atrapamiento y asfixia de niños no es un problema del pasado. Un aparato refrigerador desechado y abandonado es un peligro, aún si va a quedar ahí "por unos pocos días". Si usted está por deshacerse de su aparato refrigerador viejo, siga las instrucciones a continuación para evitar accidentes.

Antes de descartar su aparato refrigerador viejo:

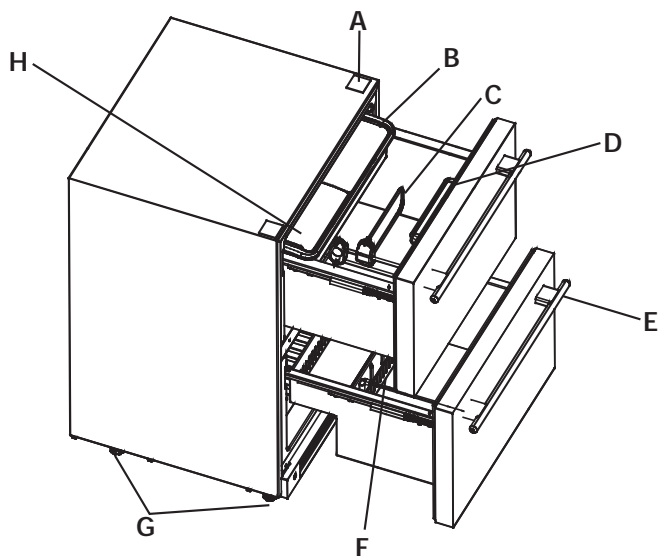
- Quite la puerta.
- Deje los cajones en su lugar así los niños no pueden meterse adentro con facilidad.

Cómo Eliminar Refrigerantes y Gomaespumas:

Descarte el electrodoméstico de acuerdo con las Regulaciones Federales y Locales. El refrigerante inflamable y el material aislante inflamable usados requieren procedimientos de descarte especiales. Comuníquese con las autoridades locales para descartar su electrodoméstico de forma ambientalmente segura

LEA Y GUARDE ESTAS INSTRUCCIONES

PIEZAS Y CARACTERÍSTICAS



- A. Cubierta del orificio
- B. Cajón para verduras
- C. Divisor del cajón superior
- D. Panel de control
- E. Manija
- F. Divisor del cajón inferior
- G. Patas niveladoras
- H. Paquete de accesorios (Soportes antivuelco y tornillos)

REQUISITOS DE INSTALACIÓN

HERRAMIENTAS NECESARIAS PIEZAS SUMINISTRADAS

- Destornillador Phillips
- Cinta de medir
- Nivel de carpintero
- Soportes antivuelco
- Tornillos

REQUISITOS DE UBICACIÓN

⚠ ADVERTENCIA Peligro de Explosión o Incendio

Mantenga los materiales y vapores inflamables, tales como gasolina, alejados del aparato.

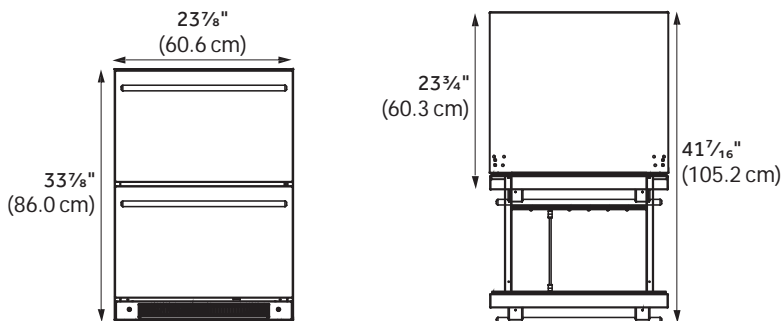
No seguir esta instrucción puede ocasionar la muerte, explosión, o incendio.

IMPORTANTE: Este refrigerador de doble cajón solo se debe utilizar empotrado. Antes de usarlo, deberá estar correctamente instalado.

NOTA: Deje que el refrigerador de doble cajón esté de pie sobre su base durante, al menos, una hora antes de la instalación.

- No instale el refrigerador de doble cajón donde la temperatura llegue a ser inferior a los 55 °F (13 °C), ya que no se activará con la frecuencia necesaria para mantener las temperaturas apropiadas.
- No instale el refrigerador de doble cajón donde la temperatura sea superior a los 110 °F (43 °C), ya que no funcionará de forma correcta.
- Instale el mismo en un piso lo suficientemente fuerte como para soportarlo completamente cargado.
- No instale el refrigerador de doble cajón en una ubicación expuesta al agua (lluvia, etc.) o en contacto directo con la luz solar.

DIMENSIONES DEL REFRIGERADOR DE DOBLE CAJÓN



REQUISITOS DE INSTALACIÓN

CONEXIÓN DE LA ELECTRICIDAD

▲ ADVERTENCIA



RIESGO DE DESCARGA ELÉCTRICA

Enchufe en un tomacorriente con conexión a tierra de 3 cables.

No elimine el cable de conexión a tierra.

No use un adaptador.

No use un prolongador.

Si no se siguen estas instrucciones se podrá producir la muerte, incendios o descargas eléctricas.

Nunca, bajo ninguna circunstancia, corte o elimine el tercer cable (tierra) del cable de corriente. Para su seguridad personal, este electrodoméstico debe estar adecuadamente conectado a tierra.

El cable de corriente de este electrodoméstico cuenta con un enchufe de 3 cables (conexión a tierra) que se conecta a un tomacorriente de pared estándar de 3 cables (conexión a tierra) para minimizar la posibilidad de riesgos de descargas eléctricas por parte del mismo.

Contrate a un electricista calificado para que controle el tomacorriente y el circuito eléctrico, a fin de asegurar que el enchufe esté correctamente conectado a tierra.

En caso de contar con un tomacorriente de pared de 2 cables, es su responsabilidad y obligación reemplazarlo por un tomacorriente de pared de 3 cables correctamente conectado a tierra. No use un adaptador.

El refrigerador de doble cajón deberá estar siempre conectado a un enchufe específico con un índice de voltaje equivalente al que figura en la placa de calificación.

Se requiere un suministro eléctrico con fusible y conexión a tierra de 115 voltios de CA, 60 Hz, 15 o 20 amperes. Esto garantiza el mejor funcionamiento y además previene la sobrecarga de los circuitos del hogar, lo cual podría ocasionar riesgos de incendio debido al recalentamiento de cables.

Nunca desenchufe el refrigerador de doble cajón tirando del cable de corriente. Siempre tome su enchufe firmemente y empuje el mismo hacia fuera para retirarlo.

Inmediatamente interrumpa el uso de un cable de suministro de corriente dañado. Si el cable de corriente se encuentra dañado, su reemplazo deberá ser realizado por un profesional calificado del servicio técnico, utilizando una pieza del servicio técnico autorizada por el fabricante.

Al alejar el refrigerador de doble cajón de la pared, se deberá tener cuidado de que no ruede sobre ni dañe el cable de corriente.

NOTA: Antes de realizar cualquier tipo de instalación o limpieza, desconecte el refrigerador de doble cajón de la fuente de energía eléctrica. Cuando haya terminado, reconecte el refrigerador de doble cajón a la fuente de energía eléctrica y vuelva a fijar los controles de temperatura en el ajuste deseado.

INSTRUCCIONES DE INSTALACIÓN

PASO 1 - DESEMPAQUE EL REFRIGERADOR DE DOBLE CAJÓN

⚠ ADVERTENCIA Peligro de Peso Excesivo

Con la ayuda de dos o más personas, mueva e instale el refrigerador de doble cajón.

No seguir esta instrucción puede ocasionar una lesión en la espalda u otro tipo de lesiones.

⚠ ADVERTENCIA Peligro de Cortaduras

Los bordes del armario a lo largo de las áreas de estampado/recortes podrían tenerlo. Evite colocar las manos, los dedos u otras partes del cuerpo cerca de estas áreas.

No seguir esta instrucción puede ocasionar cortaduras.

IMPORTANTE: Tenga cuidado al mover el refrigerador de doble cajón para evitar dañar el tubo refrigerante o aumentar el riesgo de fuga.

IMPORTANTE: Cuando lo mueva, nunca incline el refrigerador de doble cajón en un ángulo superior a los 45°. Esto podría dañar el compresor y el sistema sellado. Si el refrigerador de doble cajón ha sido colocado en posición horizontal durante algún período de tiempo, espere 30 minutos antes de enchufarlo para permitir que el refrigerante se asiente.

CÓMO QUITAR EL EMPAQUE

- Quite los restos de cinta y goma de las superficies de su refrigerador de doble cajón antes de encenderlo. Frote un poco de detergente líquido para vajilla sobre el adhesivo con los dedos. Limpie con agua tibia y seque.

NOTA: No use instrumentos filosos, alcohol isopropílico, líquidos inflamables o productos de limpieza abrasivos para eliminar los restos de cinta o goma. Estos productos pueden dañar la superficie de su refrigerador de doble cajón. Para obtener más información, vea “Seguridad del refrigerador de doble cajón”.

- Deshágase de todos los materiales de empaque o reciclelos.

LIMPIEZA ANTES DEL USO

Una vez que usted haya quitado todos los materiales de empaque, limpie el interior del refrigerador de doble cajón antes de usarlo. Vea las instrucciones de limpieza en “Cuidado del refrigerador de doble cajón”.

INSTRUCCIONES DE INSTALACIÓN

PASO 2 - PREPARACIÓN DEL REFRIGERADOR DE DOBLE CAJÓN

1. Jale el cajón superior para abrirlo. Quite los cajones para verduras y déjelos a un lado.
2. Con las dos manos, levante la varilla divisora de metal del cajón para quitarla de las ranuras en la parte frontal y trasera del cajón.
3. Cuando haya quitado la varilla divisora de las ranuras, gire la varilla para colocarla a un ángulo frente al cajón. Levante la varilla lentamente y quitela del cajón para evitar golpear el panel de control y, luego, deje a un lado el ensamblaje del divisor.
4. Cierre el cajón superior para evitar daños durante la instalación.

PASO 3 - INSTALACIÓN DEL REFRIGERADOR DE DOBLE CAJÓN

Según el material del mostrador, utilice el Método 1: Instalación en el mostrador, o el Método 2: Instalación en el armario adyacente, para asegurar el refrigerador de doble cajón.

⚠ ADVERTENCIA



Peligro de Vuelco

No utilice el refrigerador de doble cajón hasta que esté instalado por completo.

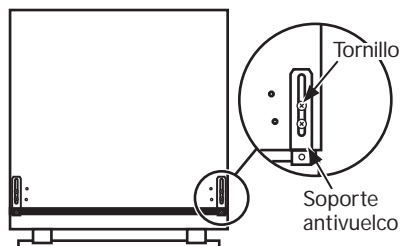
No se apoye en un cajón abierto.

No seguir estas instrucciones puede ocasionar herida seria o cortaduras.

MÉTODO 1: INSTALACIÓN EN EL MOSTRADOR

Coloque los soportes antivuelco

1. Quite las cubiertas de los orificios de la parte superior del armario para dejar al descubierto los orificios que utilizará para instalar los soportes antivuelco.
2. Abra el cajón superior y déjelo abierto para instalar el soportes antivuelco.
3. Quite los soportes antivuelco y los tornillos de la bolsa de accesorios.
4. Con los tornillos provistos, ajuste los soportes anti volcaduras a ambos lados de la parte superior del gabinete.



INSTRUCCIONES DE INSTALACIÓN

PASO 3 - INSTALACIÓN DEL REFRIGERADOR DE DOBLE CAJÓN (Cont.)

MÉTODO 1: INSTALACIÓN EN EL MOSTRADOR (Cont.)

Nivele el refrigerador de doble cajón

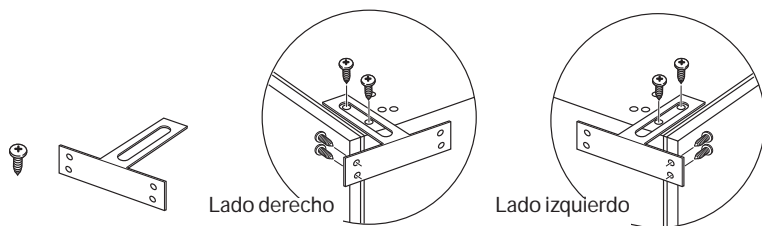
Podría ser necesario ajustar las patas niveladoras debajo del doble cajón para que encajen correctamente en la abertura del armario.

1. Suba o baje las patas niveladoras traseras para ajustar la altura de la parte posterior del doble cajón y, luego, comience a deslizar el doble cajón en la abertura debajo del mostrador.
2. Levante o baje las patas niveladoras para ajustar el frente del doble cajón hasta que encaje debajo del mostrador, con espacio suficiente para instalar el soporte antivuelco en el lado de abajo del mostrador.
3. Levante las patas niveladoras delanteras hasta que el soporte antivuelco esté alineado con el lado de abajo del mostrador.
4. Instale el refrigerador de doble cajón en el mostrador.

MÉTODO 2: INSTALACIÓN EN LOS ARMARIOS ADYACENTES

Coloque los soportes antivuelco

1. Quite las cubiertas de los orificios de la parte superior del armario para dejar al descubierto los orificios que utilizará para instalar los soportes antivuelco.
2. Abra el cajón superior y déjelo abierto para instalar los soportes antivuelco.
3. Quite los soportes antivuelco y los tornillos de la bolsa de accesorios.
4. Con los tornillos provistos, sujete el soporte antivuelco a cada lado de la parte superior del armario.



Nivele el refrigerador de doble cajón

Podría ser necesario ajustar las patas niveladoras debajo del doble cajón para que encajen correctamente en la abertura del armario.

1. Suba o baje las patas niveladoras traseras para ajustar la altura de la parte posterior del doble cajón y, luego, comience a deslizar el doble cajón en la abertura debajo del mostrador.
2. Levante o baje las patas niveladoras para ajustar el frente del doble cajón hasta que encaje debajo del mostrador.
3. Instale el refrigerador de doble cajón en los armarios.

INSTRUCCIONES DE INSTALACIÓN

PASO 4 - COMPLETE LA INSTALACIÓN

⚠ ADVERTENCIA



Peligro de Choque Eléctrico

Conecte a un contacto de pared de conexión a tierra de 3 terminales.

No quite el terminal de conexión a tierra del cable de alimentación.

No use un adaptador.

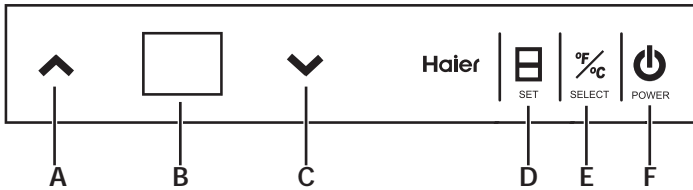
No use un cable eléctrico de extensión.

No seguir estas instrucciones puede ocasionar la muerte, incendio o choque eléctrico.

- Conecte a un contacto de pared de conexión a tierra de 3 terminales.

USO DEL REFRIGERADOR DE DOBLE CAJÓN

PANEL DE CONTROL



- | | |
|----------------------|---------------------------------|
| A. Subir temperatura | D. Bloqueo/fijación del control |
| B. Pantalla LED | E. Conversión a °C/°F |
| C. Bajar temperatura | F. Interruptor de encendido |

AJUSTE DE TEMPERATURA

El rango de temperatura del refrigerador de doble cajón es de 34 °F a 45 °F (1,1 °C a 7,2 °C).

Si desea cambiar la temperatura, presione SET (Fijar) durante 3 segundos. El control emitirá un pitido y la temperatura destellará en el panel de control. Ajuste la temperatura con los botones **A** y **C**. Cuando aparezca la temperatura deseada en la pantalla, presione SET (Fijar) para confirmar. El control emitirá un pitido y la temperatura ya no destellará.

CONVERSIÓN A °C Y °F

Mantenga presionado SELECT (Seleccionar) durante 3 segundos. La pantalla de la temperatura cambiará de grados Fahrenheit a grados Celsius. El control emitirá un pitido una vez.

Mantenga presionado SELECT (Seleccionar) durante 3 segundos. La pantalla de la temperatura cambiará de grados Celsius a grados Fahrenheit. El control emitirá un pitido una vez.

ENCENDIDO/APAGADO DEL REFRIGERADOR DE DOBLE CAJÓN

- Mantenga presionado POWER (Encendido) durante 3 segundos para encender y apagar.

Apagado del doble cajón durante un largo período de tiempo:

- Apague el doble cajón y desenchúfelo del tomacorriente.
- Quite los alimentos y limpie el doble cajón.
- Deje los cajones entreabiertos para evitar olores.

USO DEL REFRIGERADOR DE DOBLE CAJÓN

PANEL DE CONTROL (Cont.)

MODO SABBATH (DÍA DE DESCANSO)

Esta función está disponible para cumplir con determinadas fiestas religiosas. En el modo Sabbath (Día de descanso), el refrigerador de doble cajón continúa funcionando (compresor, válvula magnética, ventilador, calentador), pero todas las luces, incluso la pantalla y las luces LED, estarán apagadas independientemente de si la puerta está abierta o cerrada.

Mantenga presionados los botones **A** y **V** al mismo tiempo durante 3 segundos. El control emitirá un pitido y, luego, la pantalla destellará 5 veces y se apagará para indicar que el doble cajón está en modo Sabbath (Día de descanso).

Mantenga presionados los botones **A** y **V** a la vez durante 3 segundos para apagar la función Modo Sabbath (Día de descanso). La pantalla destellará 5 veces para indicar la salida del modo Sabbath (Día de descanso).

ALARMA DE PUERTA ENTREABIERTA

Si un cajón queda entreabierto durante más de 3 minutos, el panel de control emitirá un pitido. Si desea detener la alarma sin cerrar el cajón, presione SET (Fijar).

CAJÓN PARA VERDURAS

El refrigerador de doble cajón está diseñado para contener hasta 88,2 libras (40 kg) en total o 44,1 libras (20 kg) por cajón. El cajón superior guardará artículos de hasta 12" (30,5 cm) de altura. El cajón inferior está dividido por un escalón. Los artículos cuya altura supere las 12" (30,5 cm) se pueden guardar en esa parte sin escalón.

CAJÓN PARA VERDURAS

- El cajón para verduras es un lugar práctico para guardar verduras frescas.
- El cajón superior tiene un cajón para verduras con tapa.
- El cajón para verduras se puede quitar cuando no está en uso.

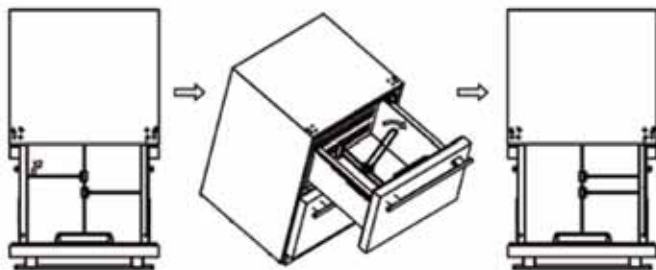
USO DEL REFRIGERADOR DE DOBLE CAJÓN

DIVISOR REGULABLE

Hay un divisor en cada cajón. Para mayor flexibilidad en el almacenamiento de los alimentos, puede regular o quitar los divisores.

Regulación del divisor en el compartimiento superior:

El cajón superior está separado por divisores sujetos al soporte del canasto. Los dos divisores se pueden regular de izquierda a derecha, o de la parte posterior hasta el frente como se muestra en la imagen.



Para limpiar el cajón con facilidad, puede quitar los divisores. Vea “Preparación del refrigerador de doble cajón”.

Regulación del divisor en el compartimiento inferior:

Para flexibilidad de almacenamiento, el divisor del cajón inferior se puede insertar entre cualquiera de las salientes de los paneles frontales y posteriores del cajón.

LUCES

IMPORTANTE: El refrigerador de doble cajón está equipado con luces LED. Estas luces se diseñaron para durar toda la vida útil de su refrigerador de doble cajón. Sin embargo, si las luces dejan de funcionar, llame a un técnico calificado para su reemplazo.

Hay una luz LED en la parte superior de los cajones superior e inferior. Las luces LED están controladas según la apertura o cierre del cajón. Cuando se abre un cajón, se enciende la luz LED. Cuando se cierra un cajón, se apaga la luz LED.

IMPORTANTE: Hay imanes colocados en el interior, sobre el lado izquierdo del cajón superior y en la base de la puerta del cajón inferior. No quite los imanes ya que son necesarios para el funcionamiento adecuado del sistema de luces.

CUIDADO DEL DOBLE CAJÓN

LIMPIEZA

El refrigerador de doble cajón se descongela automáticamente. El agua de la pared posterior drena en el tanque de agua y es evaporada por el condensador.

IMPORTANTE: No use productos químicos fuertes, amoníaco, blanqueador con cloro, detergente concentrado, solventes o estropajos de metal o abrasivos para limpiar su producto por dentro o por fuera. Estos pueden dañar o decolorar el acabado.

⚠ ADVERTENCIA



Peligro de choque eléctrico

Desenchufe el aparato o desconecte el suministro de energía antes de limpiarlo.

No seguir esta instrucción puede ocasionar la muerte, choque eléctrico o daños personales.

General

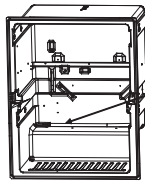
1. Desenchufe o desconecte el suministro de energía.
2. Lave las superficies interiores, los accesorios y el marco exterior con una solución de agua tibia mezclada con 3 a 4 cucharadas de bicarbonato de sodio.
NOTA: Antes de usar productos de limpieza, siempre lea y siga las instrucciones del fabricante y las advertencias para evitar lesiones físicas o daños al producto.
3. Enjuague con agua tibia limpia.
4. Seque bien con un paño suave.
5. Enchufe o vuelva a conectar el suministro de energía.

CUIDADO DEL DOBLE CAJÓN

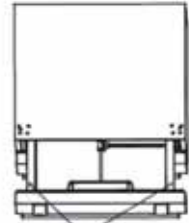
6. Limpie el orificio de drenaje con un material pequeño y suave, como un hisopo de algodón. Para acceder al orificio de drenaje, primero debe quitar el cajón inferior.

Para quitar el cajón inferior:

1. Deslice el cajón inferior por completo hacia fuera.
2. Utilice un destornillador para quitar los 2 tornillos que sujetan el cajón inferior a las guías.
3. Quite el cajón inferior.
4. Limpie el orificio de drenaje ilustrado a continuación con un material suave como un hisopo de algodón y, luego, coloque el cajón inferior según el procedimiento inverso que se describe anteriormente.



Ubicación del orificio de drenaje



Ubicación de los tornillos

Juntas de la puerta

Las juntas deben mantenerse limpias y flexibles para asegurar un sellado adecuado.

- Limpie las juntas de la puerta cada 3 meses con una solución de bicarbonato de sodio y agua tibia.
- El petrolato ligeramente aplicado en el lado de las bisagras de las juntas mantendrá la junta flexible y asegurará un buen sellado.

VACACIONES Y MUDANZAS

Vacaciones

Si se ausentará durante un periodo largo de tiempo y no desea dejar el aparato encendido mientras no está, prepárelo para el lapso de su ausencia.

1. Retire los alimentos del congelador.
2. Mantenga presionada la tecla POWER (Encendido) sobre el panel de control durante 3 segundos para apagar la refrigeración.
3. Desenchufe o desconecte el suministro de energía.
4. Limpie el interior. Vea "Limpieza".
5. Limpie las juntas de la tapa/la puerta. Vea la sección "Limpieza".
6. Mantenga las cajón abiertas para que pueda circular aire adentro.

Mudanza

Si Ud. muda su refrigerador de doble cajón a una casa nueva, siga estos pasos para prepararse para la mudanza.

IMPORTANTE:

- Tenga cuidado al moverlo para evitar dañar el tubo refrigerante o aumentar el riesgo de fuga.
 - Cuando lo mueva, nunca incline el refrigerador de doble cajón en un ángulo superior a los 45°. Esto podría dañar el compresor y el sistema sellado.
1. Complete los pasos del 1 al 5 para prepararlo para las vacaciones. Vea "Vacaciones".
 2. Saque todas las piezas removibles, envuélvalas bien y asegúrelas con cinta adhesiva para que no se muevan ni se sacudan durante la mudanza.
 3. Pegue los cajones con cinta de modo que queden cerrados y pegue con cinta el cable de corriente en la parte trasera del refrigerador.

CUIDADO DEL DOBLE CAJÓN

CÓMO VOLVER A INSTALAR O USAR EL REFRIGERADOR DE DOBLE CAJÓN NUEVAMENTE

IMPORTANTE: Si el refrigerador de doble cajón ha sido colocado en posición horizontal o se ha inclinado durante algún período de tiempo, espere 30 minutos antes de enchufarlo para permitir que el refrigerante se asiente.

1. Limpie el refrigerador de doble cajón. Vea "Limpieza".
2. Coloque el refrigerador de doble cajón en la ubicación deseada y nivélelo. Vea "Instrucciones de instalación".

⚠ ADVERTENCIA



Peligro de Choque Eléctrico

Conecte a un contacto de pared de conexión a tierra de 3 terminales.

No quite el terminal de conexión a tierra del cable de alimentación.

No use un adaptador.

No use un cable eléctrico de extensión.

No seguir estas instrucciones puede ocasionar la muerte, incendio o choque eléctrico

3. Conecte a un contacto de pared de conexión a tierra de 3 terminales.

SOLUCIÓN DE PROBLEMAS

Pruebe las soluciones sugeridas aquí y posiblemente se evite el gasto de una visita de servicio técnico.

Problema	Causa posible	Solución
<i>El refrigerador de doble cajón no funciona.</i>	El refrigerador de doble cajón está desenchufado.	Enchufe el cable de suministro de energía en la fuente de energía.
	Se ha disparado o e ha apagado el cortacircuitos/ Se ha quemado un fusible.	Reemplace/Encienda el cortacircuitos o cambie el fusible.
<i>El compresor del refrigerador de doble cajón funciona con frecuencia o durante largos periodos de tiempo.</i>	Es normal cuando se enchufa por primera vez.	Deje transcurrir 24 horas para que el refrigerador de doble cajón se enfríe por completo.
	Se han agregado alimentos tibios o una gran cantidad de alimentos.	Esto es normal.
	La puerta queda entreabierta.	Asegúrese de que la puerta no queda abierta a causa de un artículo.
	Hace calor o se abre con frecuencia.	Esto es normal para mantener la temperatura constante en los días calurosos y húmedos.
	La junta no sella correctamente.	Limpie la junta.
<i>El refrigerador de doble cajón tiene olor.</i>	Los alimentos no están sellados o envasados correctamente.	Vuelva a sellar los envases. Coloque una caja abierta con bicarbonato de sodio en el refrigerador de doble cajón y cámbielo cada 3 meses.
	Debe limpiar el interior.	Limpie el interior. Vea "Limpieza".
	Se han guardado los alimentos por mucho tiempo.	Deseche los alimentos que se han echado a perder.
<i>La luz no se enciende.</i>	El refrigerador de doble cajón está desenchufado.	Enchúfelo en la fuente de energía.
	La luz LED está quemada.	Llame a un técnico calificado para cambiar la luz LED quemada.
<i>Los cajones no cierran correctamente</i>	El refrigerador de doble cajón no está nivelado.	Vea "Nivelación".
	Algo está obstruyendo el cierre de la puerta.	Verifique y quite las obstrucciones, por ejemplo, botellas, alimentos, derrames, etc.
<i>Vibración o traqueteo.</i>	El refrigerador de doble cajón no está apoyado firmemente en el suelo.	Vea "Nivelación".

SOLUCIÓN DE PROBLEMAS

Pruebe las soluciones sugeridas aquí y posiblemente se evite el gasto de una visita de servicio técnico.

Problema	Causa posible	Solución
<i>Sonidos normales.</i>	Se escucha un sonido como si fluyera agua del refrigerador de doble cajón.	El refrigerante que fluye por las líneas hace este sonido cuando se enciende y se apaga el compresor. un sistema de descongelación automático. El sonido es ocasionado por el agua descongelada.
	Zumbidos o chirridos.	Este sonido es ocasionado por el compresor y los ventiladores de circulación de aire frío. Si el refrigerador de doble cajón no está nivelado, el sonido será más fuerte.
	Crujidos o chasquidos.	Este sonido es ocasionado por las piezas interiores cuando se contraen y se expanden en respuesta a los cambios de temperatura.
TEMPERATURA Y HUMEDAD		
<i>El refrigerador de doble cajón está demasiado caliente.</i>	El control de temperatura no está en un ajuste suficientemente bajo.	Fije la temperatura a un ajuste más frío; espere 24 horas para que se ajuste la temperatura.
	Las puertas se abren con frecuencia o quedan abiertas.	Fije la temperatura a un ajuste más frío; espere 24 horas para que se ajuste la temperatura.
	Se agregaron alimentos calientes recientemente.	Deje transcurrir un rato para que se enfrien los alimentos y el refrigerador de doble cajón.
	La junta no sella correctamente.	Limpie la junta.
<i>El refrigerador de doble cajón está demasiado frío.</i>	El control de temperatura se fijó en un ajuste demasiado bajo.	Fije la temperatura en el compartimiento en el próximo ajuste más cálido; espere 24 horas para que se ajuste.
<i>Humedad en el exterior/ interior del refrigerador de doble cajón.</i>	Humedad elevada.	Esto es normal. Seque la superficie y fije la temperatura en un ajuste ligeramente más frío.
	Las puertas se abren con frecuencia o quedan abiertas.	Mantenga la puerta cerrada. Verifique que no haya un paquete que evite que se cierre la puerta.
	La junta no sella correctamente.	Limpie la junta.

SI NECESITA MÁS AYUDA, VISITE HAIER.COM O COMUNÍQUESE CON LA LÍNEA DE AYUDA AL CONSUMIDOR LLAMANDO AL 1-877-337-3639.

GARANTÍA LIMITADA

12 meses por piezas y mano de obra

Durante 12 meses desde la fecha de compra minorista original, GE Appliances reemplazará cualquier pieza del refrigerador de doble cajón que falle debido a un defecto en los materiales o la fabricación. GE Appliances podrá, a su criterio, reemplazar o realizar la reparación de la unidad defectuosa. En caso de que GE Appliances decida realizar el servicio técnico sobre la unidad, GE Appliances brindará sin costo cualquier pieza que falle debido a un defecto en los materiales o la fabricación, junto con cualquier trabajo o costos relacionados con el servicio para reemplazar la pieza defectuosa. Durante este período, si GE Appliances decide reemplazar la unidad, podrá hacerlo brindándole a usted un certificado canjeable en un minorista, el cual podrá ser usado para un producto de reemplazo.

NOTA: Esta garantía comienza en la fecha de compra de este producto, y el recibo original deberá presentarse al representante autorizado de servicio antes de hacerse las reparaciones bajo la garantía.

PARA OBTENER SERVICIO BAJO LA GARANTÍA

Para los clientes de EE.UU., todo el servicio de garantía deberá ser provisto por nuestros Centros de Servicio de Fabricación, o por un técnico autorizado del Servicio al Cliente. Para programar una visita del servicio técnico, llame al 1.877.337.3639.

Cuando llame para solicitar el servicio, tenga los números de serie y modelo disponibles.

En Canadá, llame al 1.877.470.9174.

EXCLUSIÓN DE GARANTÍAS IMPLÍCITAS - Su única y exclusiva alternativa es la reparación del producto, como se indica en la Garantía Limitada. Las garantías implícitas, incluyendo garantías implícitas de comerciabilidad o conveniencia sobre un propósito particular, se limitan a un año o al período más corto permitido por la ley.

Lo que no está cubierto bajo esta garantía:

- Viajes del técnico del servicio a su hogar para enseñarle sobre cómo usar el producto.
- Instalación inadecuada, entrega o mantenimiento.
- Fallas del producto en caso de abuso, mal uso, o uso para propósitos diferentes al original o uso comercial.
- Pérdida de alimentos por mal estado.
- Daño causado después de la entrega.
- Reemplazo de fusibles de la casa o reinicio de disyuntores.
- Reemplazo de las bombillas de luz.
- Daños ocasionados sobre el producto por accidente, incendio, inundaciones o catástrofes naturales.
- Daños consecuentes o incidentales causados por posibles defectos de este producto.
- Producto no accesible para brindar el servicio requerido.
- Costos asociados cuando GE Appliances decide entregar al consumidor un certificado como forma de reemplazo del producto.

GARANTÍA LIMITADA

Para los clientes de los EEUU: Esta garantía se extiende al comprador original y a cualquier dueño subsiguiente de productos comprados para uso hogareño dentro de EE.UU. Si el producto está en un área donde no se encuentra disponible un Proveedor Autorizado del Servicio Técnico de GE Appliances, usted será responsable por el costo de un viaje o se podrá requerir que traiga el producto a una ubicación del Servicio Técnico de GE Appliances Autorizado para recibir el servicio. En Alaska, la garantía excluye el costo de envío o llamadas del servicio a su hogar.

Algunos estados no permiten la exclusión o limitación de daños fortuitos o consecuentes. Esta garantía le da derechos legales específicos y es posible que tenga otros derechos legales que varían entre un estado y otro. Para conocer cuáles son sus derechos legales, consulte a la oficina de asuntos del consumidor local o estatal o al Fiscal de su estado.

Garante US:
GE Appliances, a Haier company

Para Clientes en Canadá: Esta garantía se extiende al comprador original y a cualquier dueño subsiguiente de productos comprados para uso hogareño dentro de Canadá. El servicio técnico hogareño de la garantía será brindado en áreas donde Mabe se encuentre disponible y lo considere apropiado.

Garante Canada:
MC Commercial, Burlington, Ontario, L7R 5B6

INFORMACIÓN A TENER EN CUENTA

Le agradecemos la compra de este producto de marca Haier. Este manual para el usuario lo ayudará a obtener el mejor funcionamiento de su nuevo refrigerador de doble cajón.

Para referencia futura, anote el número de modelo y de serie y la fecha de compra. La placa con el número de modelo o de serie está ubicada en una etiqueta dentro del refrigerador de doble cajón.

Engrape la prueba de compra a este manual para asistirle cuando necesite obtener servicio bajo la garantía.

Número de modelo

Número de serie

Fecha de compra

IMPORTANT

Do Not Return This Product To The Store

If you have a problem with this product, please call 1-877-337-3639 for the name and telephone number of the nearest authorized service center.

DATED PROOF OF PURCHASE REQUIRED FOR WARRANTY SERVICE

IMPORTANT

Ne pas Réexpédier ce Produit au Magasin

En cas de problème avec ce produit, veuillez composer le 1-877-337-3639 pour connaître le nom et le numéro de téléphone du centre de service autorisé le plus proche.

**PREUVE D'ACHAT DATÉE, NUMÉRO DE MODÈLE ET LE NUMÉRO DE SÉRIE REQUIS
POUR LE SERVICE DE GARANTIE**

IMPORTANTE

No regrese este producto a la tienda

Si tiene un problema con este producto, por favor comuníquese al 1-877-337-3639 para solicitar el nombre y número telefónico del centro de servicio al cliente autorizado más cercano.

**NECESITA UNA PRUEBA DE COMPRA FECHADA, NÚMERO DE MODELO
Y DE SERIE PARA EL SERVICIO DE LA GARANTÍA**