

# STILO ISOLA ISLAND RANGE HOOD



**CLASSIC EUROPEAN DESIGN.** The Stilo Isola balances great performance and style to provide a stunning addition to any kitchen. With advanced controls and quiet performance, this hood delivers beyond expectations.



## AVAILABLE MODELS

Model #	Size / Color	Motor Class (CFM)	Sound Levels (sones)
STILIS36SS	36 Stainless	600 CFM	3.5 - 6.5 sones
STILIS48SS	48 Stainless	600 CFM	3.5 - 6.5 sones

## KEY FEATURES



### Electronic Controls

4 Speed digital electronic controls with LED indicator to show the current speed. Includes two level lighting, 30 minute auto shut off, and 10 minute intensive speed.



### Easy Island Mounting System

Island mounting to the ceiling & adjustments made easy with the easy mount system.



### Pro Motor

The motor in this hood is surrounded in metal with all metal impellers for top performance



### Baffle Grease Filters

Dishwasher safe SS metal filters capture grease and allow for easy clean up in the dishwasher



# STILO ISOLA ISLAND RANGE HOOD

## SPECIFICATIONS

min / max ceiling height	7' 10 3/8" - 8' 11 3/8"
convertible to ductless / recirculating	yes - kit sold separately
canopy depth / height	26 5/8" d   2 3/8" h
high ceiling kit	yes - reaches up to 10' 8 3/8" ceilings
controls	4 speed LED digital control
lighting	4 X 20 (W) Halogen + Dimmer
ducting top	6" round
grease filters	dishwasher safe baffle filters
pro motor (metal impellers)	yes
quick island mounting	yes
30 minute auto shut off	yes
silent kit	yes
10 minute intensive speed	yes
AC input / AC Power	120 V - 60 hz / Max 410 W at 3.5 A

## PERFORMANCE

SPEED	1	2	3	BOOST
CFM	150	350	450	560
Sones	2.5	3.5	4.5	6.5

## ACCESSORIES

# FILTER2 -

### Charcoal Filter Kit

High quality charcoal filter for use when recirculating the air back into the kitchen. Filters out odor and should be replaced every 6 months.

# HIGH2 -

### High Ceiling Chimney Kit

Extends the island chimney for high ceilings.

# DUCT2 -

### Ductless Conversion Kit

Includes: Lower chimney with holes for ducting, ductless diverter assembly, vent grates and charcoal filter.

# CFMRED -

### CFM Reducer Kit

For use in make up air areas where an under 300 cfm hood is required. This kit reduces the ducting to 5" round and reduces the cfm to under 300.

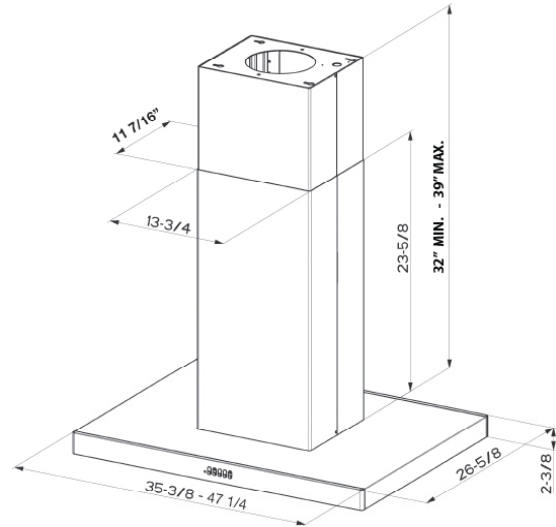
# MUDAMPER6 / MUDAMPER8 -

### Universal Make-Up Air Damper

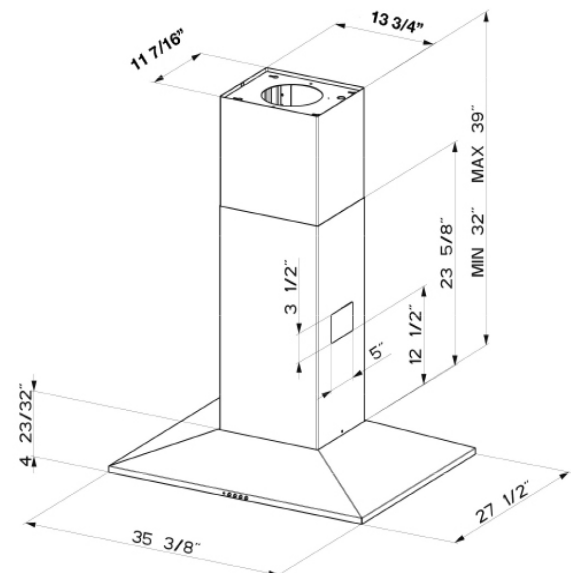
Satisfies make-up air requirements, this kit uses an air switch to activate the make-up air damper to open and bring fresh air into the home when the hood fan is on. It then closes tightly when the hood is off. The CFM level is not reduced with this accessory.

## DIMENSIONS

### Ducted



### Ductless



WARNING! Product specifications are subject to change without notification. Consult the installation instructions before you begin installing this range hood

