



MODELS SHOWN: HPCB48NS 48-INCH PROFESSIONAL SERIES CHIMNEY WALL HOOD AND PRD486JDGU 48-INCH PROFESSIONAL SERIES PRO GRAND® DUAL-FUEL RANGE

VENTILATION PROFESSIONAL & MASTERPIECE® SERIES

No need to worry about lingering odors or smoke with our elegant, powerful ventilation systems, featuring design accents that complement our Professional Series or our Masterpiece® Collection. These sophisticated ventilation systems remove smoke, grease and unhealthy airborne contaminants. From standard wall to specialty hoods, downdrafts, island and custom inserts, each model has one thing in common: legendary Thermador performance. These powerful, quiet systems tackle unwanted smoke, grease, heat and odors—quietly and efficiently—with ventilation power ranging from 600 to 1,300 CFM.



WALL HOODS

- Create a bold, modern statement with a distinctive stainless steel wall hood
- Deep enclosure area for excellent capture
- Recirculation option at 600 CFM for Masterpiece® Collection



CHIMNEY WALL HOODS

- A chimney design offers a more contemporary feel
- Adjustable chimney heights suit a range of ceilings



ISLAND HOODS

- Island hoods float in the kitchen, creating a dramatic focal point
- Slim and sleek design that does not obstruct the views beyond your kitchen
- All stainless steel or stainless steel with elegant glass canopy design



CUSTOM INSERTS

- Create a seamless design that blends with your cabinetry
- Available options for all types of cooking surfaces
- User-friendly ventilation controls or remote control options
- Wall or island applications



DOWNDRAFTS

- The only hood that retreats out of sight for a sleek look with unobstructed kitchen views
- Over 13-inch intake
- Ideal in island applications
- 600 CFM recirculation kit option with integrated blower is available for difficult-to-duct situations

RANGE, RANGETOP AND VENTILATION SELECTION GUIDE

PROFESSIONAL SERIES

✓ = PERFECT FIT ✓ = VIABLE OPTION



36-INCH
PRO GRAND®









48-INCH
PRO GRAND



60-INCH
PRO GRAND







27-INCH DEPTH

 27-INCH DEPTH, 18-INCH TALL WALL HOODS	36" PH36GS	✓		
	42" PH42GS	✓		
	48" PH48GS		✓	
	54" PH54GS		✓	
	60" PH60GS			✓
 24-INCH DEPTH, 18-INCH TALL WALL HOODS	30" PH30HS			
	36" PH36HS	✓		
	48" PH48HS		✓	
 24-INCH DEPTH, 11-INCH TALL WALL HOODS	30" HPWB30FS			
	36" HPWB36FS	✓		
	48" HPWB48FS		✓	
 24-INCH DEPTH CHIMNEY WALL HOODS	36" HPCN36NS / HPCB36NS	✓		
	48" HPCN48NS / HPCB48NS		✓	
 ISLAND HOODS	42" HPIN42HS	✓		
	48" HPIN48HS		✓	
 CUSTOM INSERTS	36" VCIN36JP / 36" VCIB36JP	✓		
	48" VCIN48JP / 48" VCIB48JP		✓	
	54" VCIN54JP / 54" VCIB54JP		✓	
	60" VCIN60RP			✓

For optimal performance, the width of the hood should equal that of the cooktop or rangetop or exceed it by 3 inches on either side. Install these hoods only with Thermador Blowers.

RANGE, RANGETOP AND VENTILATION SELECTION GUIDE

PROFESSIONAL SERIES

 30-INCH PRO HARMONY			 36-INCH PRO HARMONY			 48-INCH PRO HARMONY		
 30-INCH RANGETOP			 36-INCH RANGETOP			 48-INCH RANGETOP		
24-INCH DEPTH			24-INCH DEPTH					
✓	✓		✓	✓				
	✓			✓				
		✓					✓	
		✓					✓	
✓			✓					
✓	✓		✓	✓				
		✓					✓	
✓			✓					
✓	✓		✓	✓				
		✓					✓	
	✓			✓				
		✓					✓	
✓	✓		✓	✓				
		✓					✓	
		✓					✓	

COOKTOP AND VENTILATION SELECTION GUIDE

MASTERPIECE® SERIES

					
✓ = PERFECT FIT ✓ = VIABLE OPTION		30-INCH INDUCTION	36-INCH INDUCTION / FREEDOM® INDUCTION	30-INCH GAS COOKTOP	36-INCH GAS COOKTOP
 WALL HOODS	30" HMWN30FS	✓		✓	
	48" HMWN48FS				✓
 WALL HOODS WITH BLOWER	30" HMWB30FS	✓		✓	
	36" HMWB36FS	✓	✓	✓	✓
 CHIMNEY WALL HOODS	36" HMCN36FS	✓	✓	✓	✓
	42" HMCN42FS		✓		✓
 CHIMNEY WALL HOODS WITH BLOWER	36" HMCB36FS	✓	✓	✓	✓
	42" HMCB42FS		✓		✓
 ISLAND HOODS WITH BLOWER	40" HMIB40HS	✓	✓	✓	✓
	42" HPIB42HS	✓	✓	✓	✓
	48" HPIB48HS*		✓		✓
 DRAWER HOOD WITH BLOWER	36" HDDW36FS	✓	✓	✓	✓
 CUSTOM INSERTS	30" VCI230DS†	✓		✓	
	36" VCI236DS†	✓	✓	✓	✓
	48" VCI248DS†		✓		✓
 DOWNDRAFTS	30" UCVM30FS	✓		✓	
	36" UCVM36FS		✓		✓

For optimal performance, the width of the hood should equal that of the cooktop or rangetop or exceed it by 3 inches on either side. Install these hoods only with Thermador Blowers.

*Compatible with cooktops of widths up to 42" †Also compatible with Pro Grand Ranges, Pro Harmony Ranges and Professional Rangetops.

COOKTOP AND VENTILATION SELECTION GUIDE

MASTERPIECE® SERIES

			
30-INCH ELECTRIC COOKTOP	30-INCH SENSOR ELECTRIC COOKTOP	36-INCH ELECTRIC COOKTOP	36-INCH SENSOR ELECTRIC COOKTOP
✓	✓		
		✓	✓
✓	✓		
✓	✓	✓	✓
✓	✓	✓	✓
		✓	✓
✓	✓	✓	✓
		✓	✓
✓	✓	✓	✓
✓	✓	✓	✓
		✓	✓
✓	✓	✓	✓
✓	✓		
✓	✓	✓	✓
		✓	✓
✓	✓		
		✓	✓

VENTILATION

PLANNING INFORMATION

INSTALLATION CONSIDERATIONS

HOOD WIDTH

The hood width should be no less than the width of the cooking surface. Where space is not restricted, a wider hood can be used to increase your capture area.

DISTANCE FROM COOKING SURFACE

Proper mounting height is very important. If a hood is mounted too low, it may be difficult to cook and be unsafe. If a hood is mounted too high, performance may be compromised. For optimal performance, the distance from the cooking surface to the bottom of the hood should be a minimum of 30", unless otherwise noted. Please refer to the installation manual for each hood and cooktop / range model for proper hood mounting heights.

AVAILABLE CEILING HEIGHT

The standard ceiling height can vary from region to region and in homes built in different eras. Ceiling heights, even in the same room, can sometimes vary by as much as several inches. Kitchen ceiling heights can vary between 7'6" (or 90") to over 10' (or 120").

Before selecting a Thermador Hood, check the available installation space and any extra space that may remain after proper installation of a hood and cooktop or range. This extra space can be filled using Thermador stainless steel duct cover accessories or integrated with kitchen cabinetry. The space can also be adjusted by raising or lowering your hood within the recommended range (typically 30" to 36" above the cooking surface).

CHOOSING THE CORRECT BLOWER

A variety of interior and exterior blower options (Remote, Inline or Integrated) are available for Thermador Professional and Masterpiece® Series Hoods. If the unit you have selected does not have a blower, one can be purchased separately. Blower selection will vary based on the volume of air that needs to be moved and the length and location of the duct run. For long duct runs with multiple turns and bends, consider using a more powerful blower. For the most efficient air flow exhaust, use a straight run or as few elbows as possible.

Remote Blowers (VTR Series)

Depending on your preference and ducting situation, these blowers can be mounted on the roof or exterior wall of your home. An exterior installation may be more appealing to reduce noise in the kitchen.

Inline Blowers (VTI series)

To minimize noise in the kitchen, these blowers are mounted along the duct line anywhere between the kitchen and the exterior wall. If you have easy access to your duct line (in an attic, for example), this may be an appealing option.

Integrated Blowers (VTN series)

These blowers are purchased separately and integrated into the hood or onto the downdraft unit at the time of installation. This option allows you to select your ideal hood with the exact power you require. Integrated blowers are included with HPWB30FS, HPWB36FS and HPWB48FS.

SPECIAL NOTE: Always allow access to the blower for serviceability, should it be needed.

CHOOSING THE RIGHT CFM

The power of the cooktop or range, measured in BTU, is perhaps the most important factor in determining CFM needs for a hood.

You should also consider the cooking space and cooking style of your client.

- More demanding cooks usually require more exhaust capacity to handle moisture generated by boiling large pots of water or the grease and smoke resulting from grilling or frying. This cooking style could require a hood or downdraft system with airflow of 600 to 1,300 CFM.
- For those who are used to preparing quick meals in a relatively small kitchen, a hood with 600 CFM may be adequate ventilation for the cooking space.
- If the cooking surface is in a peninsula or island, a larger capacity hood can provide better capture when there are cross currents and when the hood needs to be mounted higher. Downdraft ventilation systems are also a good alternative.
- High heat cooking or aromatic foods may require additional CFM. Increasing capture area by 3" on each side is also a recommended way to address this issue.

LENGTH AND SIZE OF DUCTWORK

Do not use flexible duct; it creates back pressure / air turbulence and reduces performance.

Straight runs and gradual turns are best. Use the shortest route with the fewest turns possible.

Proper performance is dependent upon proper ducting. Use a qualified and trained installer. Local building codes may require the use of make-up air systems when using ducted ventilation systems greater than specified CFM of air movement. The specified CFM varies from locale to locale. Consult your HVAC professional for specific requirements in your area.

If using a 10" duct, Thermador recommends not exceeding 50 feet of duct. Transitions, elbows and wall or roof caps are all factors that will add more static pressure, therefore increasing your equivalent duct run.

BLOWER AND DUCT SELECTION GUIDE

PLANNING INFORMATION

WALL HOODS

	BLOWER INFORMATION						HOOD INFORMATION		
	Type	Model #	CFM	Total Amps (120V, 60Hz)	Roofplate Required	Duct Size at Blower	Transition w/Backdraft Damper	Duct Size at Discharge	Discharge Direction
PROFESSIONAL SERIES									
PH_GS 36" / 42" / 48" / 54" / 60"	Remote (Use Roof Jack RJ310)	VTR630P	600	12.1	RFPLT600P	6-Inch	Included	10-Inch	Vertical, Horizontal
		VTR1030P	1000	14.0	RFPLT1000P	10-Inch			
		VTR1330P	1300	17.5	RFPLT1000P	10-Inch			
	Inline (Use Wall Cap WC10)	VTI610P	600	12.1	—	6-Inch			
		VTI1010P	1000	14.0	—	10-Inch			
PH_GS 36" / 42" / 48" / 54"	Integrated (Use Wall Cap WC10)	VTN630N	600	10.3	—	10-Inch	Included	10-Inch	Vertical, Horizontal
		VTN1030N	1000	13.6	—	10-Inch			
PH60GS 60" (Integrated Blower Option Coming Soon)	Integrated								
PH_HS 30" / 36" / 48"	Remote (Use Roof Jack RJ310)	VTR630P	600	6.9	RFPLT600P	6-Inch	Included	10-Inch	Horizontal
		VTR1030P	1000	8.8	RFPLT1000P	10-Inch			
		VTR1330P	1300	12.3	RFPLT1000P	10-Inch			
	Inline	VTI610P	600	6.9	—	6-Inch			
		VTI1010P	1000	8.8	—	10-Inch			
	Integrated (Use Wall Cap WC10)	VTN630N	600	5.0	—	10-Inch			
		VTN1030N	1000	8.4	—	10-Inch			
HPWB30FS 30" (Use Recirculation Kit RECIRC30FS)	Integrated	Included	600	3.4	—	10-Inch	Included	10-Inch	Vertical
HPWB_FS 36" / 48"	Integrated	Included	1000	10.2	—	10-Inch	Included	10-Inch	Vertical
MASTERPIECE® SERIES									
HMWN30FS 30" (Use Recirculation Kit RECIRC30FS)	Remote (Use Roof Jack RJ310)	VTR630P	600	4.3	RFPLT600P	6-Inch	Included	10-Inch	Vertical
		VTR1030P	1000	7.8	RFPLT1000P	10-Inch			
		VTR1330P	1300	12.3	RFPLT1000P	10-Inch			
	Inline	VTI610P	600	5.8	—	6-Inch			
		VTI1010P	1000	7.6	—	10-Inch			
	Integrated	VTN600N	600	4.6	—	10-Inch			
HMWN_FS 36" / 48" (Use Recirculation Kit RECIRC36FS for 36" only)	Remote (Use Roof Jack RJ310)	VTR630P	600	4.3	RFPLT600P	6-Inch	Included	10-Inch	Vertical
		VTR1030P	1000	7.8	RFPLT1000P	10-Inch			
		VTR1330P	1300	9.2	RFPLT1000P	10-Inch			
	Inline	VTI610P	600	5.8	—	6-Inch			
		VTI1010P	1000	7.6	—	10-Inch			
	Integrated	VTN600N	600	4.6	—	10-Inch			
		VTN1000N	1000	8.8	—	10-Inch			
HMWB_FS 30" / 36" (Use Recirculation Kit RECIRC30FS or RECIRC36FS)	Integrated	Included	600	3.4	—	10-Inch	Included	10-Inch	Vertical

BLOWER CONNECTOR CABLE

- 25 ft. Blower Connector Cable for use with the following Inline and Remote blowers: VTR630P, VTR1030P, VTR1330P, VTI610P VTI1010P*

EXTNCB25

*Cannot be used with HMWN30FS or HMWN48FS

BLOWER AND DUCT SELECTION GUIDE

PLANNING INFORMATION

CHIMNEY WALL HOODS

	BLOWER INFORMATION						HOOD INFORMATION		
	Type	Model #	CFM	Total Amps (120V, 60Hz)	Roofplate Required	Duct Size at Blower	Transition w/Backdraft Damper	Duct Size at Discharge	Discharge Direction
PROFESSIONAL SERIES									
HPCN__NS 36" / 48"	Remote (Use Roof Jack RJ310)	VTR630P	600	6.7	RFPLT600P	6-Inch	Required*	8-Inch	Vertical
		VTR1030P	1000	7.8	RFPLT1000P	10-Inch			
		VTR1330P	1300	9.2	RFPLT1000P	10-Inch			
	Inline	VTI610P	600	5.8	—	6-Inch			
		VTI1010P	1000	7.6	—	10-Inch			
	Integrated	VTN1080N	1000	5.0	—	8-Inch			
HPCB__NS 36" / 48"	Integrated	Included	1000	10.2	—	10-Inch	Included	10-Inch	Vertical
MASTERPIECE® SERIES									
HMCN__FS 36" / 42"	Remote (Use Roof Jack RJ310)	VTR630P	600	6.7	RFPLT600P	6-Inch	Required*	8-Inch	Vertical
		VTR1030P	1000	7.8	RFPLT1000P	10-Inch			
		VTR1330P	1300	9.2	RFPLT1000P	10-Inch			
	Inline	VTI610P	600	5.8	—	6-Inch			
		VTI1010P	1000	7.6	—	10-Inch			
	Integrated	VTN1080N	1000	5.0	—	8-Inch			
HMCB__FS 36" / 42"	Integrated	Included	600	4.9	—	6-Inch	Included	6-Inch	Vertical
HDDW36FS 36"	Integrated	Included	600	4.9	—	6-Inch	Included	6-Inch	Vertical

*Purchase separately at most hardware stores, unless otherwise indicated with a Thermador model number.

ISLAND HOODS

	BLOWER INFORMATION						HOOD INFORMATION		
	Type	Model #	CFM	Total Amps (120V, 60Hz)	Roofplate Required	Duct Size at Blower	Transition w/Backdraft Damper	Duct Size at Discharge	Discharge Direction
PROFESSIONAL SERIES									
HPIN__HS 42" / 48"	Remote (Use Roof Jack RJ310)	VTR630P	600	Max 10	RFPLT600P	6-Inch	Required*	6-Inch	Vertical
		VTR1030P	1000		RFPLT1000P	10-Inch			
		VTR1330P	1300		RFPLT1000P	10-Inch			
	Inline	VTI610P	600		—	6-Inch	Included		
		VTI1010P	1000		—	10-Inch			
	MASTERPIECE® SERIES								
HPIB__HS 42" / 48" (Use Recirculation Kit RECIRISL)	Integrated	Included	600	5.2	—	6-Inch	Included	6-Inch	Vertical
HMIB40HS 40" (Use Recirculation Kit RECIRISL)	Integrated	Included	600	4.9	—	6-Inch	Included		

*Purchase separately at most hardware stores, unless otherwise indicated with a Thermador model number.

BLOWER CONNECTOR CABLE

- 25 ft. Blower Connector Cable for use with the following Inline and Remote blowers: VTR630P, VTR1030P, VTR1330P, VTI610P VTI1010P**
EXTNCB25

**Cannot be used with HPCB36NS, HPCB48NS, HMCN36F, or HMCN42FS

BLOWER AND DUCT SELECTION GUIDE

PLANNING INFORMATION

CUSTOM INSERTS

	BLOWER INFORMATION						HOOD INFORMATION		
	Type	Model #	CFM	Total Amps (120V, 60Hz)	Roofplate Required	Duct Size at Blower	Transition w/Backdraft Damper	Duct Size at Discharge	Discharge Direction
PROFESSIONAL SERIES									
VCIN__JP 36" / 48" / 54" VCIN60RP – 60"	Remote (Use Roof Jack RJ310)	VTR630P	600	6.9	RFPLT600P	6-Inch	Required*	10-Inch	Vertical
		VTR1030P	1000	8.8	RFPLT1000P	10-Inch			
		VTR1330P	1300	12.3	RFPLT1000P	10-Inch			
	Inline	VTI610P	600	6.9	—	6-Inch			
		VTI1010P	1000	8.8	—	10-Inch			
VCIN__JP 36" / 48" / 54" VCIN60RP – 60"	Integrated	VTN630N	600	10.3	—	10-Inch	Included	10-Inch	Vertical, Horizontal
		VTN1030N	1000	13.6	—				
VCIN60RP – 60"	Integrated	VTN1090R	1000	5.0	—	8-Inch	Included	10-Inch	Vertical
VCIB__JP 36" / 48" / 54"	Integrated	Included	1000	12.7	—	10-Inch	Included	10-Inch	Vertical
MASTERPIECE® SERIES									
VCI2_DS 30" / 36" / 48"	Remote (Use Roof Jack RJ310)	VTR630P	600	5.2	RFPLT600P	6-Inch	Required*	10-Inch	Vertical
		VTR1030P	1000	7.8	RFPLT1000P	10-Inch			
		VTR1330P	1300	9.5	RFPLT1000P	10-Inch			
	Inline	VTI610P	600	6.9	—	6-Inch			
		VTI1010P	1000	8.8	—	10-Inch			
	Integrated (Inline blower can be used for an Integrated solution)	VTI1010P	1000	7.6	—	10-Inch			

*Purchase separately at most hardware stores, unless otherwise indicated with a Thermador model number.

DOWNDRAFTS

	BLOWER INFORMATION						HOOD INFORMATION		
	Type	Model #	CFM	Total Amps (120V, 60Hz)	Roofplate Required	Duct Size at Blower	Transition w/Backdraft Damper	Duct Size at Discharge	Discharge Direction
MASTERPIECE® SERIES									
UCVM_FS 30" / 36" (Use Recirculation Kit RECIRC36DF for blower VTN600CV2C only)	Remote	VTR630P	600	6.7	RFPLT600P	6-Inch	CV2T6 Required*	6-Inch	Side, Down
		VTR1030P	1000	10.2	RFPLT1000P	10-Inch	CV2T10 Required*		
	Inline	VTI610P	600	5.8	—	6-Inch	CV2T6 Required*		
		VTI1010P	1000	7.6	—	10-Inch	CV2T10 Required*		
	Integrated	VTN600CV2C	600	6.7	—	6-Inch	Required*		

*Purchase separately at most hardware stores, unless otherwise indicated with a Thermador model number.

BLOWER CONNECTOR CABLE

- 25 ft. Blower Connector Cable for use with the following Inline and Remote blowers: VTR630P, VTR1030P, VTR1330P, VTI610P, VTI1010P

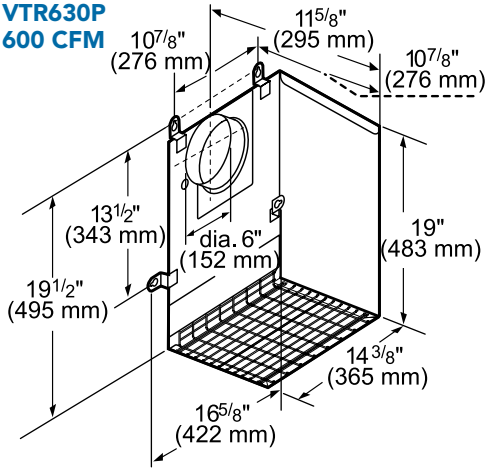
EXTNCB25

BLOWER DIMENSIONS

PLANNING INFORMATION

REMOTE BLOWERS (MOUNTED TO ROOF OR EXTERNAL WALL)

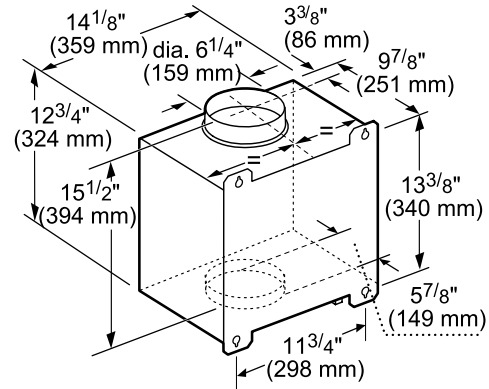
VTR630P 600 CFM



measurements in inches and mm

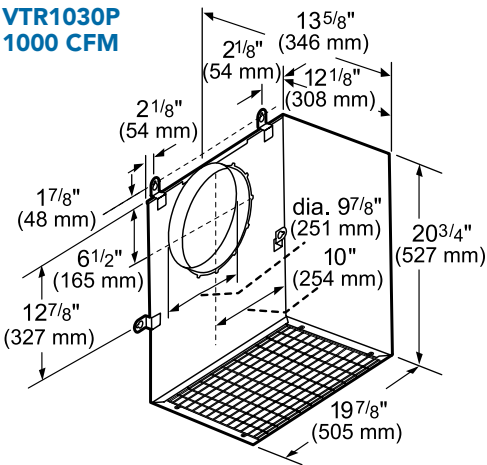
INLINE BLOWERS (MOUNTED BETWEEN KITCHEN AND EXTERNAL WALL)

VTI610P – 600 CFM



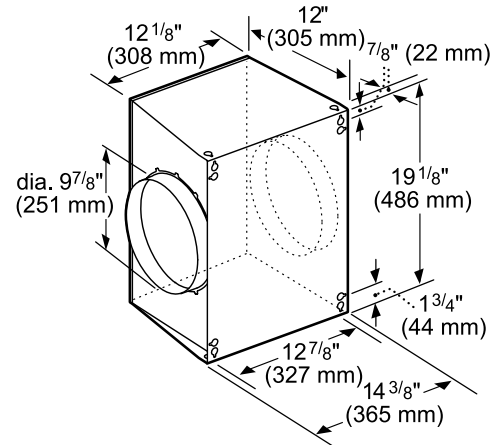
measurements in inches and mm

VTR1030P 1000 CFM



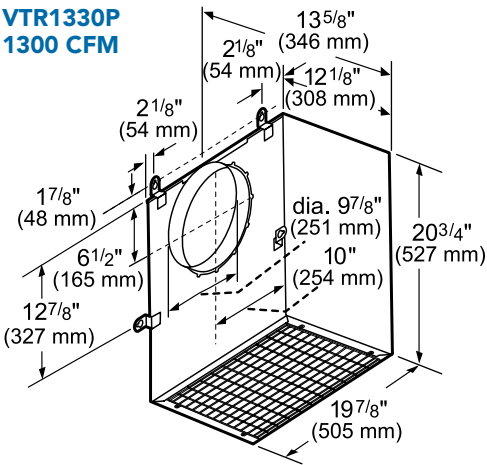
measurements in inches and mm

VTI1010P – 1000 CFM



measurements in inches and mm

VTR1330P 1300 CFM

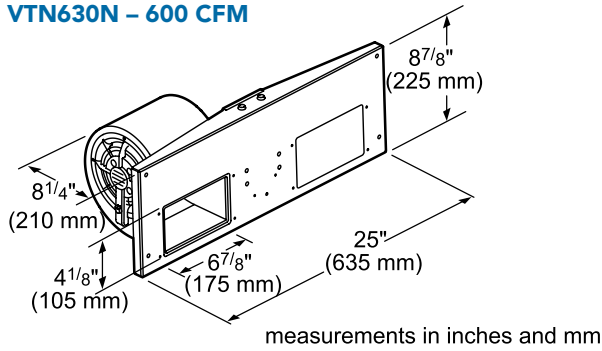


measurements in inches and mm

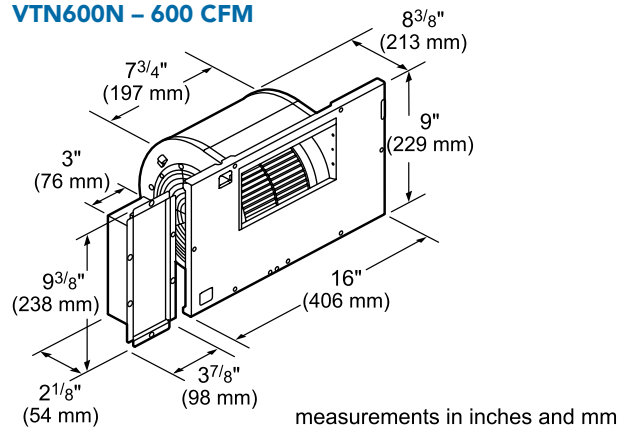
BLOWER DIMENSIONS PLANNING INFORMATION

INTEGRATED BLOWERS (MOUNTED IN HOOD)

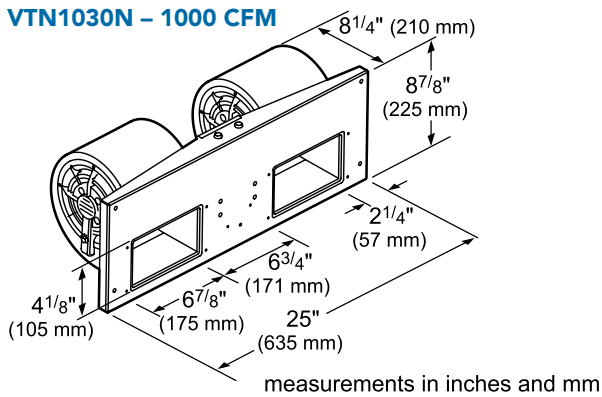
VTN630N – 600 CFM



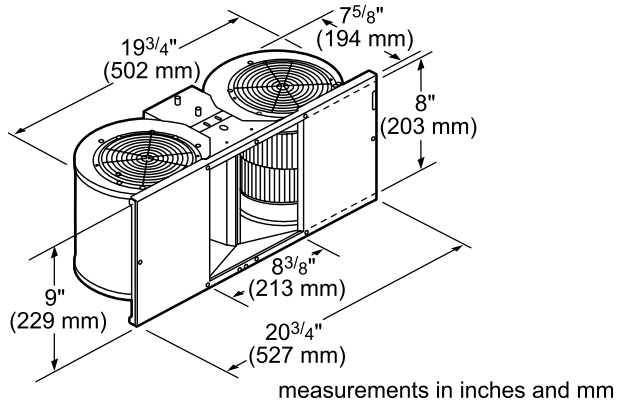
VTN600N – 600 CFM



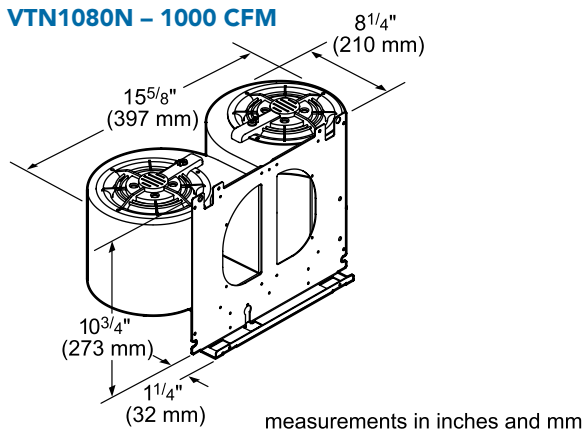
VTN1030N – 1000 CFM



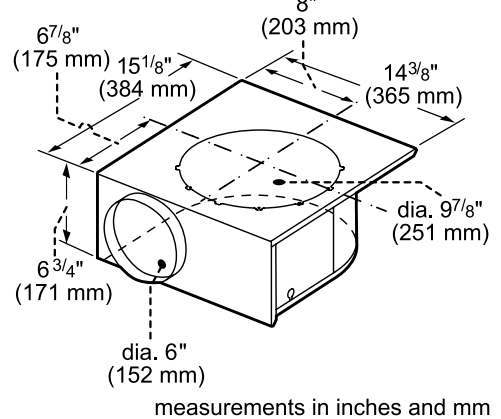
VTN1000N – 1000 CFM



VTN1080N – 1000 CFM



VTN600CV2C – 600 CFM



VTN1090R – 1000 CFM

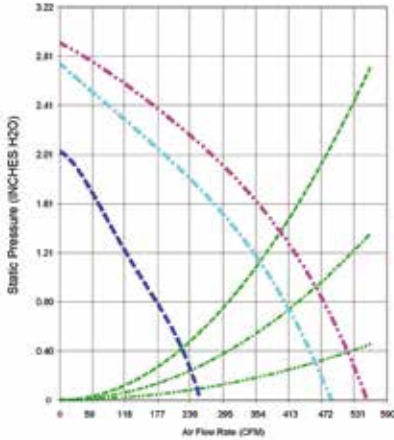
COMING SOON

go to Thermador.com for
the latest specifications

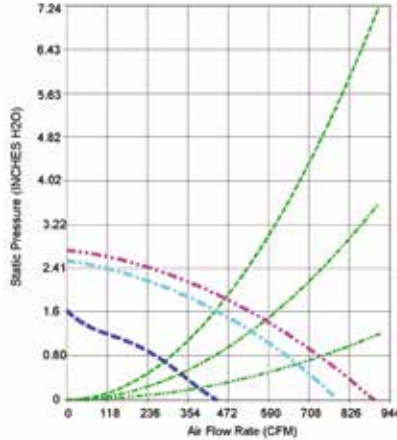
BLOWER OPTIONS AND PRESSURE CURVES PLANNING INFORMATION

REMOTE (MOUNTED TO ROOF OR EXTERNAL WALL)

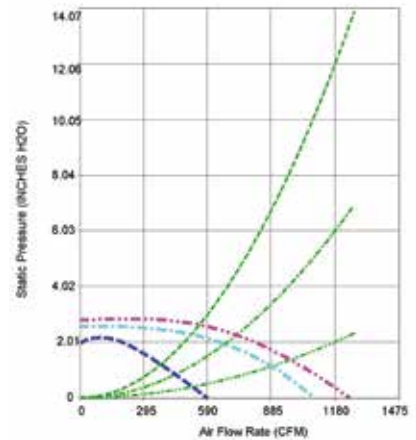
VTR630P – 600 CFM



VTR1030P – 1000 CFM

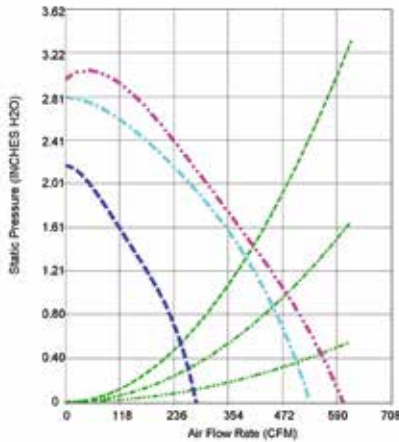


VTR1330P – 1300 CFM

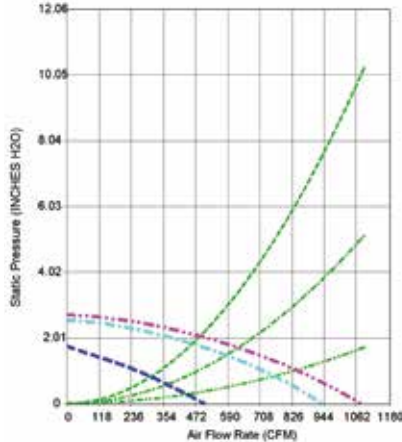


INLINE (MOUNTED BETWEEN KITCHEN AND EXTERNAL WALL)

VTI610P – 600 CFM



VTI1010P – 1000 CFM



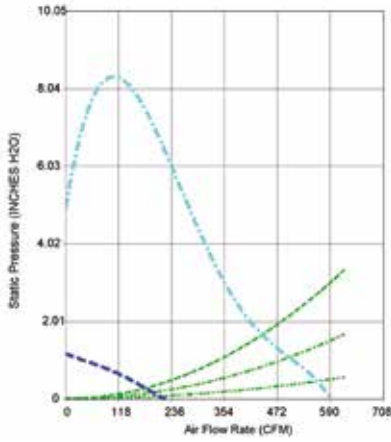
- Speed 1
- Speed 3
- Speed 4
- Ø 4"
- - - Ø 5"
- · · Ø 6"

NOTE: All measurements are made with 3 ft. straight duct, 90° bend followed by 1 ft. straight duct. These are NOT free blowing measurements.

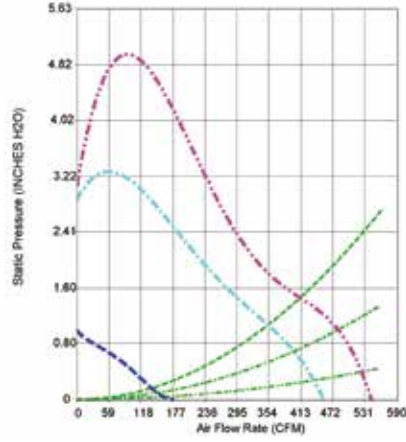
BLOWER OPTIONS AND PRESSURE CURVES PLANNING INFORMATION

INTEGRATED (MOUNTED IN HOOD)

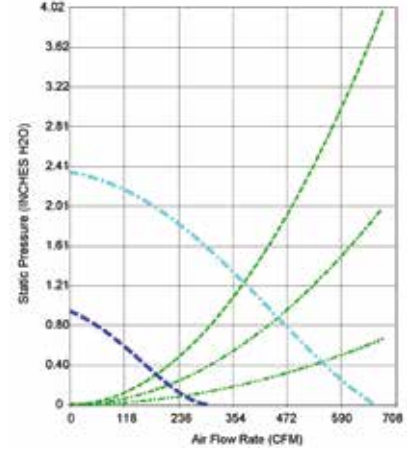
VTN600CV2C – 600 CFM



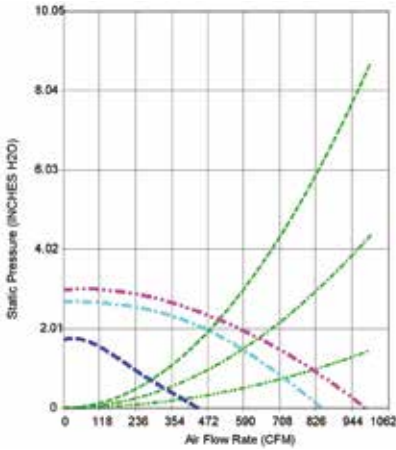
VTN600N – 600 CFM



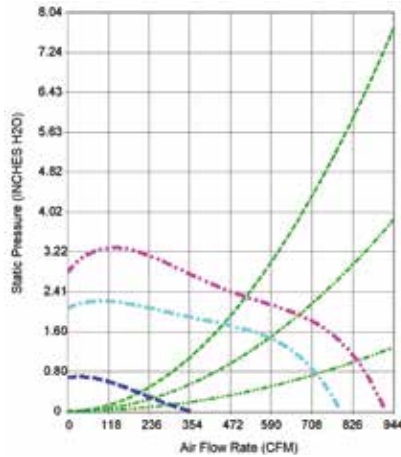
VTN630N – 600 CFM



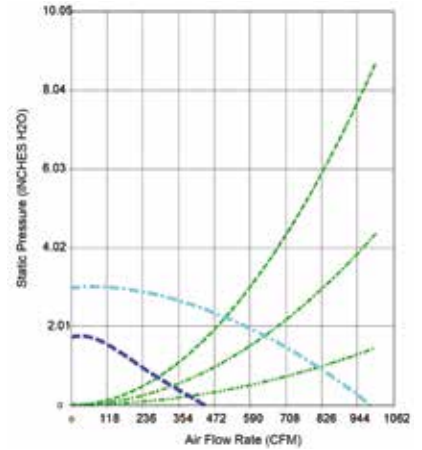
VTN1080N – 1000 CFM



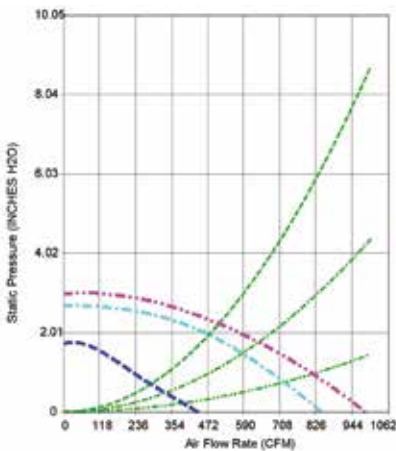
VTN1000N – 1000 CFM



VTN1030N – 1000 CFM



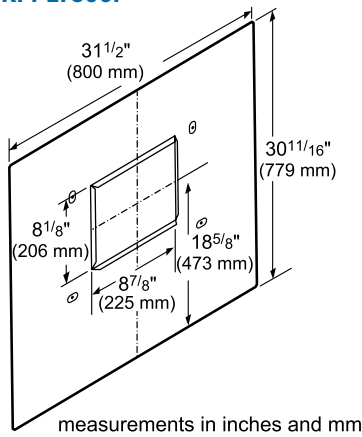
VTN1090R – 1000 CFM



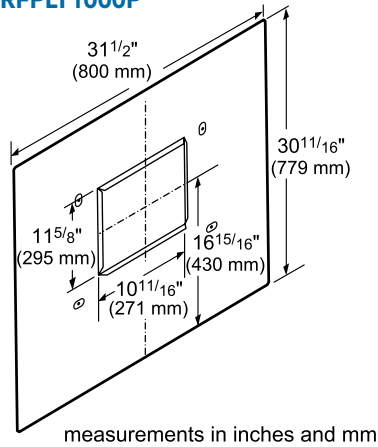
OPTIONAL BLOWER ACCESSORIES

PLANNING INFORMATION

ROOFPLATE RFPLT600P



ROOFPLATE RFPLT1000P



Combinations

Roofplate	Remote Blower
RFPLT600P	VTR630P
RFPLT1000P	VTR1030P, VTR1330P

EXTNCB25

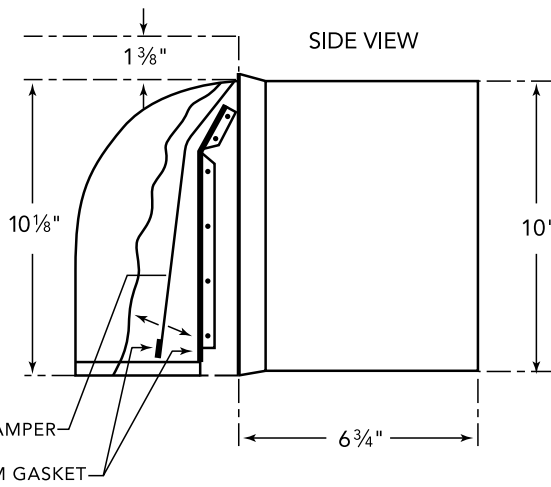
- 25 ft. Blower Connector Cable for use with the following Inline and Remote blowers: VTR630P, VTR1030P, VTR1330P, VTI610P, VTI1010P*

*Cannot be used with HMCN36F, HMCN42FS, HMWN30FS or HMWN48FS

WALL CAPS

WC10

- 10" wall cap

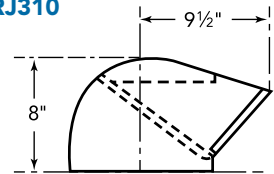


1/16" THICK ALUMINUM DAMPER
1/8" x 1/2" FOAM GASKET

ROOF JACK & TRANSITION

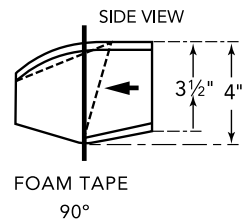
ROOF JACK - RJ310

- 3 1/4" x 10"



WC310

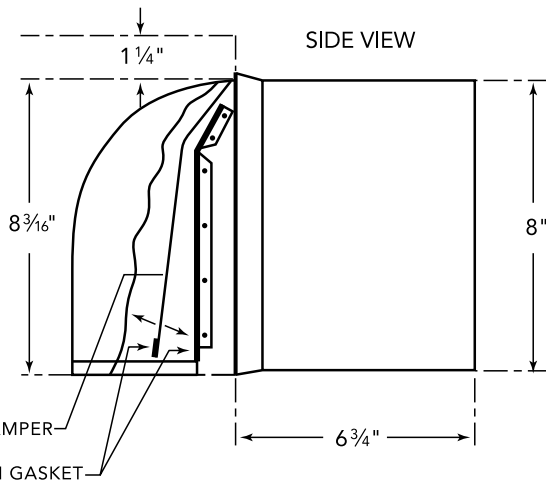
- 3 1/4" x 10" wall cap



FOAM TAPE
90°

WC8


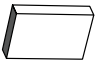

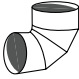
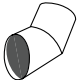
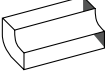
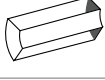

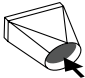
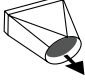
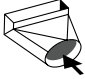
- 8" wall cap

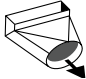
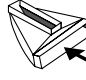
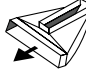
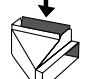
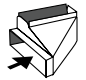
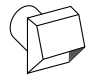

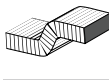
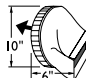
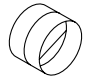



1/16" THICK ALUMINUM DAMPER
1/8" x 1/2" FOAM GASKET

EQUIVALENT DUCT LENGTHS FOR COMMONLY USED TRANSITIONS

PLANNING INFORMATION

DUCT PIECE	SIZE OF DUCT PIECE (IN.)	EQUIVALENT LENGTH (FT.)
 Smooth Straight	6	1.2
	7	0.95
	8	0.7
	10	0.6
 3 1/4" x 10" Straight	N/A	1
 3 1/4" x 14" Straight	N/A	0.7
 90° Elbow Round	6	12
	7	8
	8	6
 45° Elbow Round	6	5
	7	4
	8	3
 3 1/4" x 10" 90° Elbow Round	N/A	5
 3 1/4" x 10" 45° Elbow Round	N/A	15
 3 1/4" x 10" Flat Elbow	N/A	20
 Round to 3 1/4" x 10"	6	1
	7	1
 3 1/4" x 10" to Round	6	5
	7	3
 Round to 3 1/4" x 10" 90° Elbow	6	10
	7	8

DUCT PIECE	SIZE OF DUCT PIECE (IN.)	EQUIVALENT LENGTH (FT.)
 3 1/4" x 10" to Round 90° Elbow	6	10
	7	5
 3 1/4" x 10" Center Reverse Elbow Left	N/A	15
 3 1/4" x 10" Center Reverse Elbow Right	N/A	25
 3 1/4" x 10" Left Reverse Elbow	N/A	15
 3 1/4" x 10" Right Reverse Elbow	N/A	25
 Round Wall Cap	6	2
	7	2
	8	2
	10	2
 Round Roof Cap	6	2
	7	2
	8	2
 2' Long 3 1/4" x 10" Flex	N/A	20
 3 1/4" x 10" to Round	10	1
 7" Inline Backdraft Damper	7	
 3 1/4" x 10" Roof Jack and Shutter	N/A	

NOTE: These commonly used installation parts can be purchased at a local hardware store. Thermador does not manufacture all these parts.

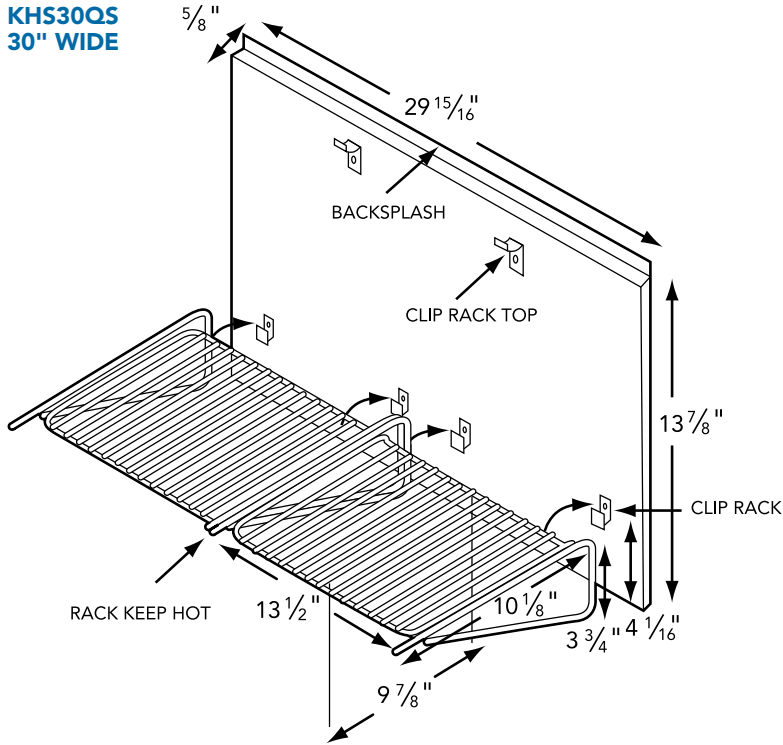
WALL HOODS

OPTIONAL ACCESSORIES

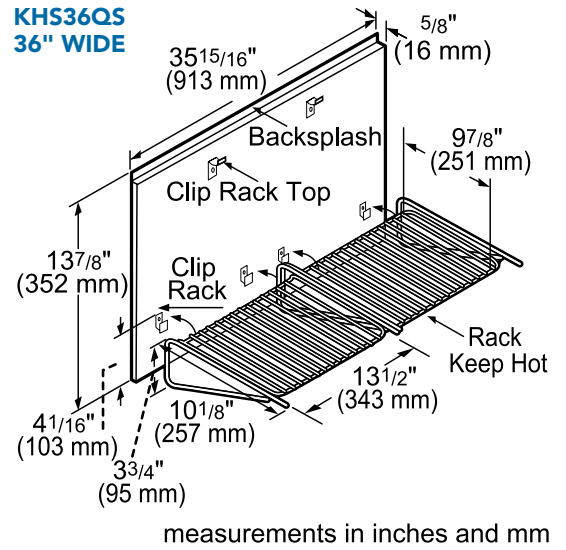
KEEP-HOT SHELF

- For use with PH__GS and PH__HS
- Stainless steel finish
- Convenient shelf allows dishes to keep hot at serving temperature
- Includes stainless steel backguard and two shelves

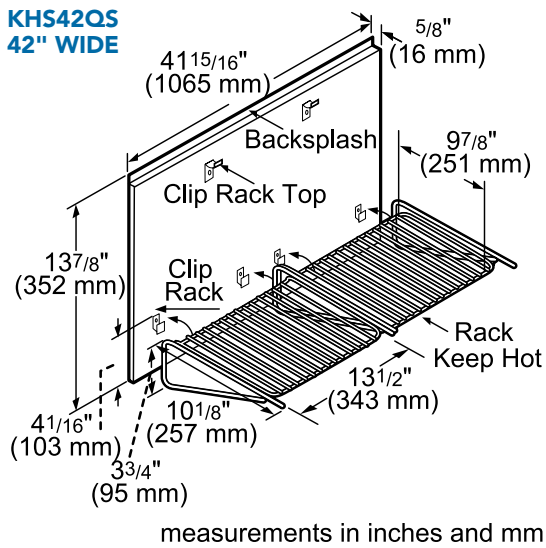
KHS30QS 30" WIDE



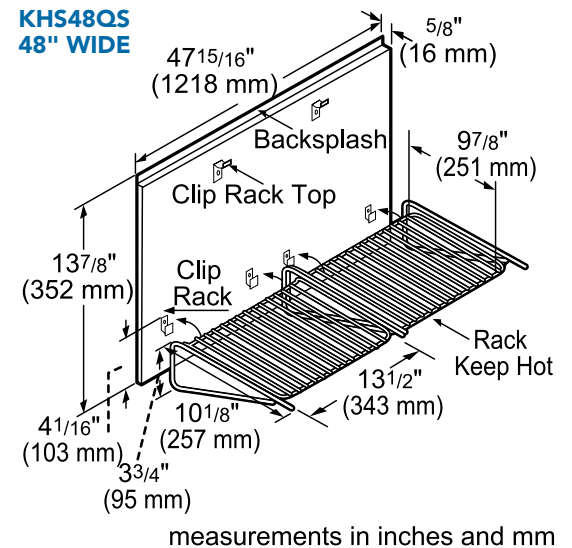
KHS36QS 36" WIDE



KHS42QS 42" WIDE



KHS48QS 48" WIDE

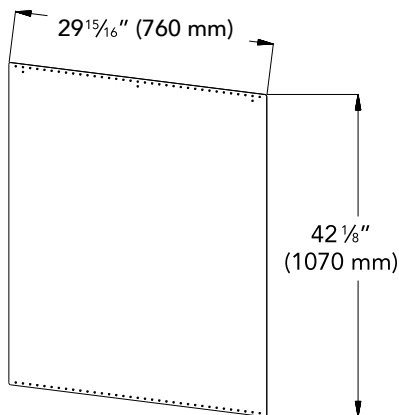


WALL HOODS OPTIONAL ACCESSORIES

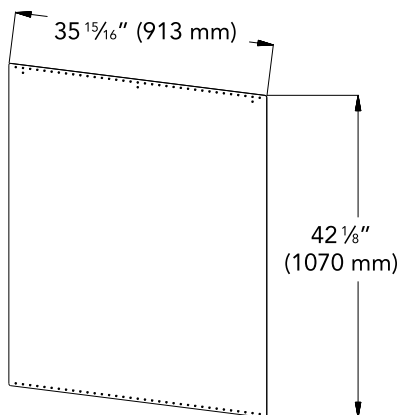
STAINLESS STEEL BACKSPLASH

– For use with all Thermador® Wall Hoods

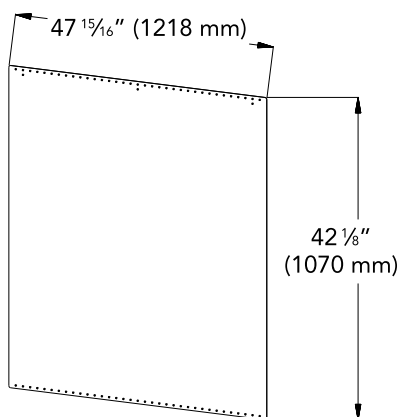
PA30JBS 30" WIDE



PA36JBS 36" WIDE

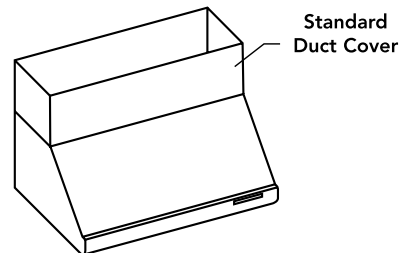


PA48JBS 48" WIDE



DUCT COVER

- For use with PH__GS, PH__HS, HPWB__FS, HMWN__FS and HMWB__FS
- Stainless steel duct cover for wall hood applications

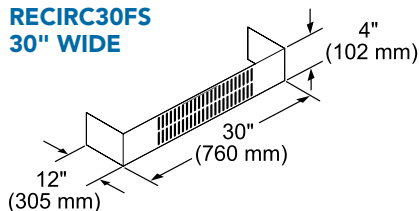


WIDTH	6-INCH HIGH	12-INCH HIGH
30-Inch	DC30US	DCT30US
36-Inch	DC36US	DCT36US
42-Inch	N/A	DCT42US
48-Inch	DC48US	DCT48US

RECIRCULATION KIT

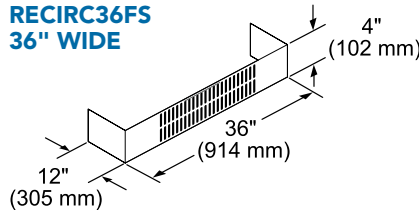
- For use with HPWB30FS, HMWN30FS, and HMWB__FS
- Stainless steel finish
- Perfect for hard to duct installations
- Use with 600 CFM blowers only

RECIRC30FS 30" WIDE



measurements in inches and mm

RECIRC36FS 36" WIDE



measurements in inches and mm

REPLACEMENT CHARCOAL FILTERS

CHFILT3036

- For use with Recirculation Kit RECIRC_FS

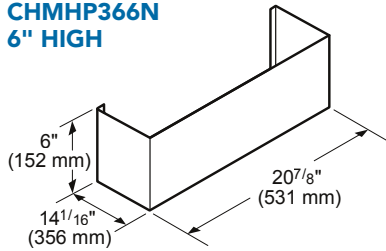
CHIMNEY WALL HOODS

OPTIONAL ACCESSORIES

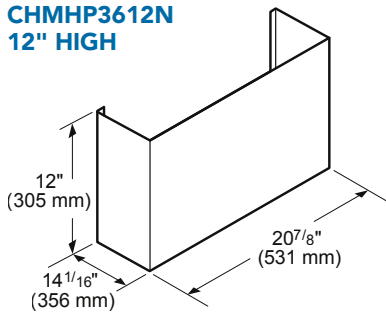
36-INCH DUCT COVER

- For use with HPCN_NS / HPCB_NS
- Stainless Steel Duct Covers in three different configurations

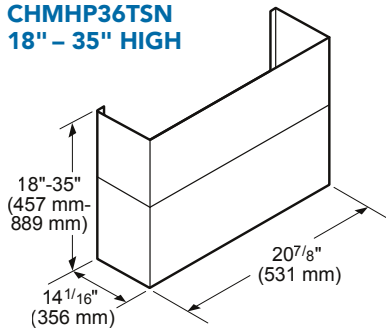
CHMHP366N 6" HIGH



CHMHP3612N 12" HIGH



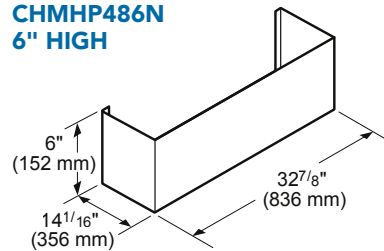
CHMHP36TSN 18" - 35" HIGH



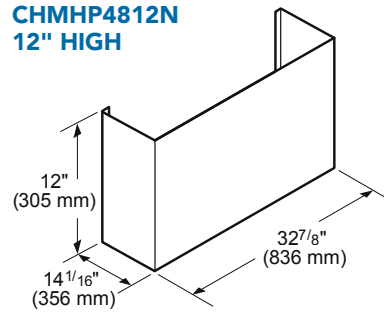
48-INCH DUCT COVER

- For use with HPCN_NS / HPCB_NS
- Stainless Steel Duct Covers in three different configurations

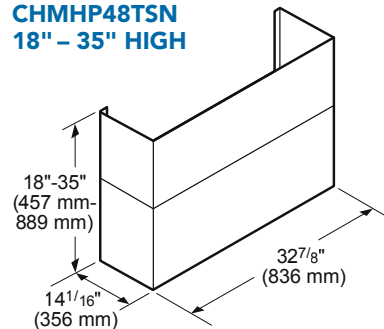
CHMHP486N 6" HIGH



CHMHP4812N 12" HIGH



CHMHP48TSN 18" - 35" HIGH

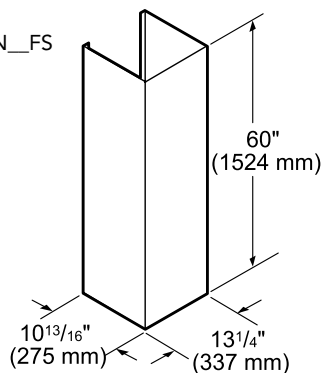


CHIMNEY EXTENSION

- Stainless steel chimney hood extension for up to 11-foot ceiling applications
- Extension replaces upper section of standard chimney extension
- May require fabrication to reduce height

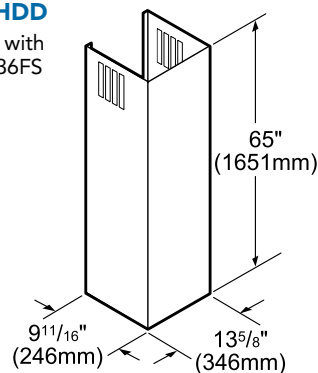
CHIMXHMC

- For use with HMCN_FS and HMCB_FS



CHIMXHDD

- For use with HDDW36FS



measurements in inches and mm

measurements in inches and mm

ISLAND HOODS OPTIONAL ACCESSORIES

RECIRCULATION KIT

RECIRISL

- For use with HPIB_HS and HMIB40HS
- Stainless steel finish
- Perfect for hard to duct installations
- Use with 600 CFM blowers only



REPLACEMENT CHARCOAL FILTERS

CHFISL

- For use with Recirculation Kit RECIRISL

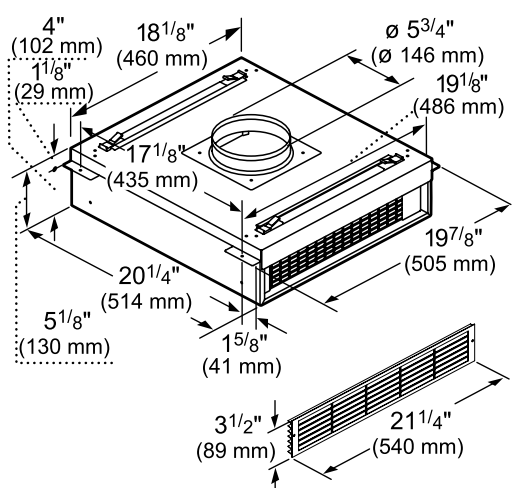


DOWNDRAFT OPTIONAL ACCESSORIES

RECIRCULATION KIT

RECIRC36DF

- Comes complete with 2 charcoal filters, 2 venting grids, and ducting to transition to integrated blower (blower sold separately)
- For toekick heights of 4" or taller
- Wall or island applications
- Easily mounts to integrated blower (VTN600CV2C) under cooktop
- Toekick / socket can be vented in any direction
- Mounts to base of cabinet; recesses into toekick
- To be used only with Thermador Downdraft and Integrated Blower
- Replacement filters are ordered as a service item
- Filters should be replaced twice a year



measurements in inches and mm

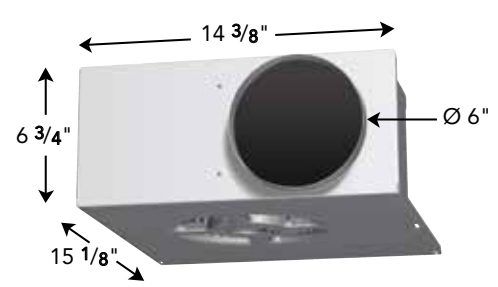
REPLACEMENT CHARCOAL FILTERS

- Sold separately as service item #291108 (For use with recirculation module)

TRANSITIONS

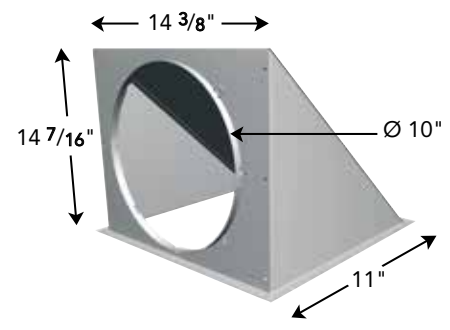
CV2T6

- Transition piece required for installation of 600 CFM Inline and Remote Blowers with 6" duct connections — downdraft applications only



CV2T10

- Transition piece required for installation of 1000 CFM Inline and Remote Blowers with 10" duct connections - downdraft applications only



CUSTOM INSERTS

OPTIONAL ACCESSORIES

CUSTOM HOOD LINER

LINER236 – For 36-Inch Insert VCIN36JP

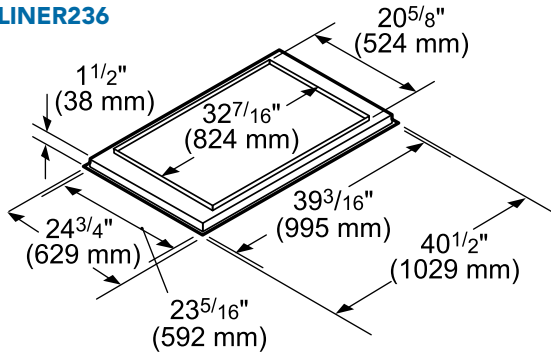
LINER248 – For 48-Inch Insert VCIN48JP

LINER254 – For 54-Inch Insert VCIN54JP

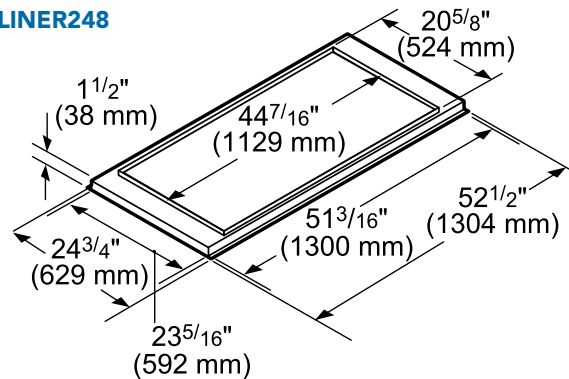
– For use with VCIN__JP

– Stainless steel custom hood liners to protect the exterior base of custom insert

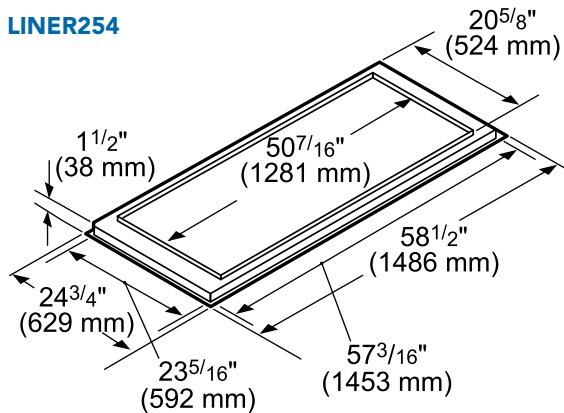
LINER236



LINER248



LINER254



CUSTOM HOOD INSTALLATION TRIM

TRIMS236 – For 36-Inch Inserts

TRIMS248 – For 48-Inch Inserts

TRIMS254 – For 54-Inch Inserts

– For use with VCIB__JP series

– Stainless steel custom insert hood trims prevent heat and moisture build up inside the canopy

– Custom hood trim completes custom insert installation without using a liner

– Wipes clean easily

CUSTOM HOOD LINER

LINER30 – For 30-Inch Insert VCI230DS

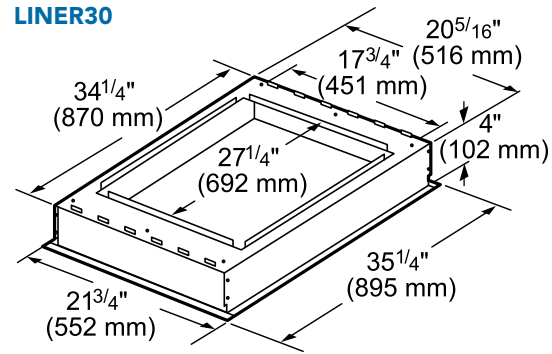
LINER36 – For 36-Inch Insert VCI236DS

LINER48 – For 48-Inch Insert VCI248DS

– For use with VCI2__DS

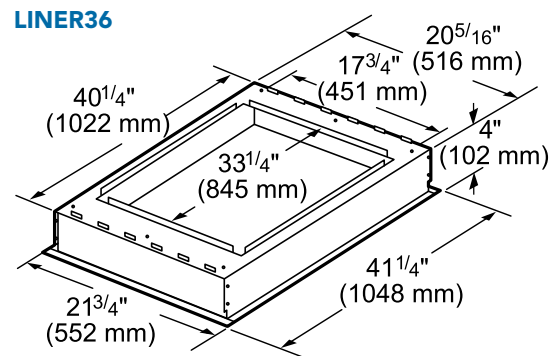
– Stainless steel custom hood liners to protect the exterior base of custom insert

LINER30



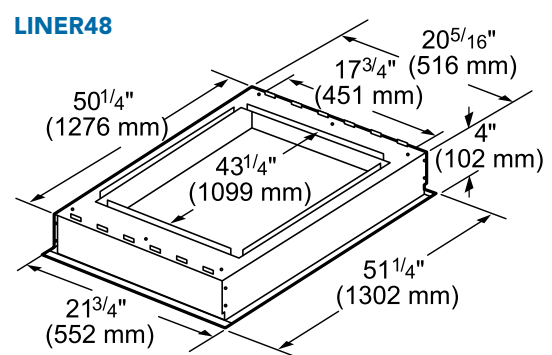
measurements in inches and mm

LINER36



measurements in inches and mm

LINER48



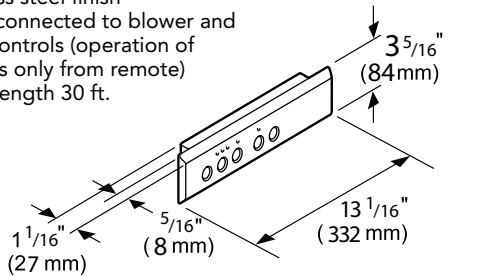
measurements in inches and mm

CUSTOM INSERTS OPTIONAL ACCESSORIES

REMOTE CONTROL PANEL

VC12REMKS

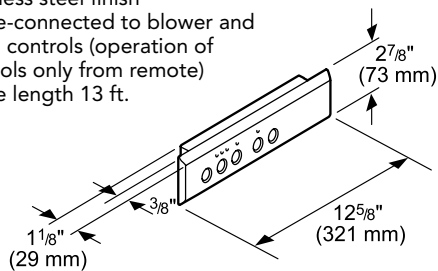
- For use with VCIN__JP and VCIB__JP
- Stainless steel finish
- Cable-connected to blower and hood controls (operation of controls only from remote)
- Cable length 30 ft.



measurements in inches and mm

VC12REMFS

- For use with VC12_DS
- Stainless steel finish
- Cable-connected to blower and hood controls (operation of controls only from remote)
- Cable length 13 ft.

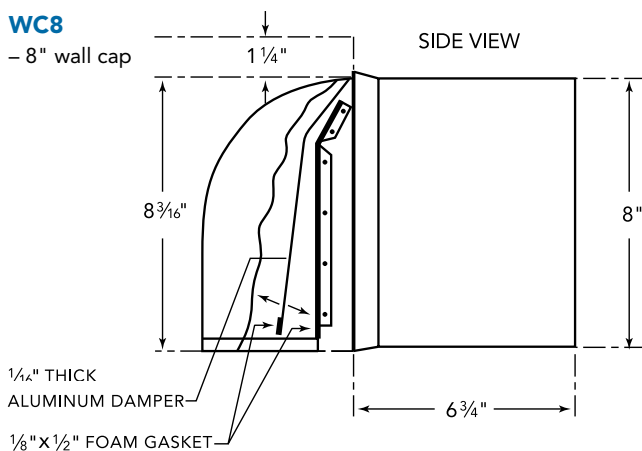


measurements in inches and mm

WALL CAPS

WC8

- 8" wall cap

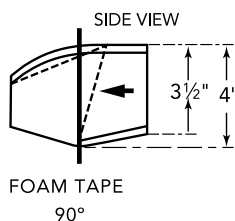


1/4" THICK ALUMINUM DAMPER

1/8" x 1/2" FOAM GASKET

WC310

- 3 1/4" x 10" wall cap



FOAM TAPE
90°

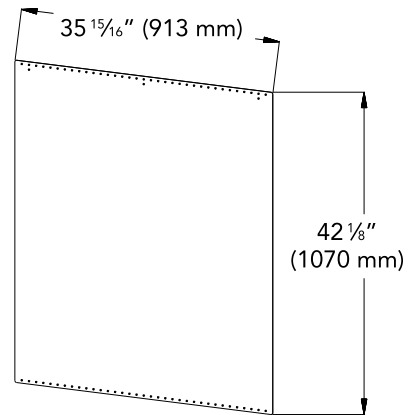
BAFFLE FILTER

- BAFFLT30 - 30-Inch wide
- BAFFLT36 - 36-Inch wide
- BAFFLT48 - 48-Inch wide
- For use with VC12_DS
- Stainless steel finish
- Unique low profile design maximizes grease capture
- Dishwasher-safe for easy cleanup

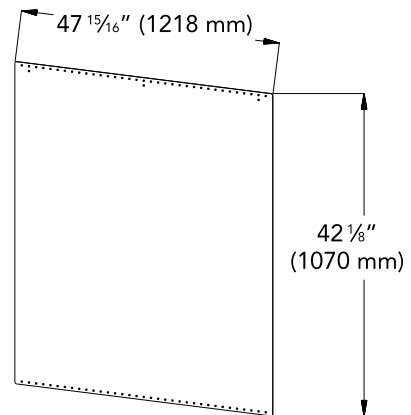
STAINLESS STEEL BACKSLASH

- For use with all VCIN__JP and VCIB__JP

PA36JBS 36" WIDE



PA48JBS 48" WIDE



LIGHTING OPTIONAL ACCESSORIES

SKU	Included	Bulb Type
PH__GS, PH__HS	Yes	120 V, 20 W - G9 Base
HPWB__FS, HMWN__FS, HMWB__FS	No	120 V, 50 W - G10 Base
HPCN__NS, HPCB__NS, HDDW36FS, HPIN__HS, HPIB__HS, HMIB40HS, VCIN__JP, VCIB__JP, VC12_DS	Yes	120 V, Halogen
HMCN__FS, HMCB__FS	Yes	110 V, Halogen

VENTILATION WALL HOODS



WALL HOODS VENTILATION

Thermador® Wall Hoods put the finishing touch on your cooking system, with deep capture areas for the best overall efficiency in drawing away smoke, moisture and heat. These elegant hoods combine style with vigorous performance, generating ventilation power from 600 to 1,300 CFM. Available in a variety of heights, widths and depths, they accommodate your individual venting needs. All models include brilliant halogen lighting for enhanced visibility and convenient speed controls. For ultra-simple cleanup, the removable filters and grease collection trays fit easily in your dishwasher.

POWERFUL VENTILATION

Breathe deeply with the air-freshening power of up to 1,300 CFM. Several models now have the blower included for ease of installation.

EXTERIOR CONTROLS

Easy-to-clean, easy-to-use push-button controls put accuracy at your fingertips.

DELAYED SHUT-OFF

For the greatest efficiency, our Professional ventilation models include delayed shut-off to tackle lingering odors. (Except HMWB30FS, HMWB36FS)

TIME-TO-CLEAN-FILTER LIGHT

Easy cleanup: all Thermador ventilation filters are dishwasher-safe, and many hoods feature a built-in Time-to-Clean-Filter reminder light. (Except HMWB30FS, HMWB36FS)

KEEP-HOT SHELF

Hold dishes at serving temperature on our optional Keep-Hot Shelf.

BAFFLE FILTERS

Unique low-profile, commercial-style baffle filters maximize grease capture without affecting flow, and they're dishwasher-safe for easy cleanup.

HALOGEN LIGHTS

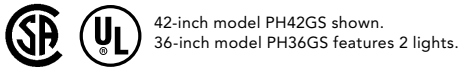
Bright halogen lighting spotlights your best recipes.



PH36GS

27-INCH DEPTH WALL HOOD (36-INCH WIDTH)

PROFESSIONAL SERIES



42-inch model PH42GS shown.
36-inch model PH36GS features 2 lights.

FEATURES & BENEFITS

- Three fan speeds
- Auto function senses heat from the cooking surface and adjusts fan speeds
- Powerfully Quiet ventilation systems
- Extended capture area ensures removal of smoke and odor
- Built-in 'Clean Filter' reminder light illuminates after 40 hours of operation
- 27" depth hood is a perfect companion to the Pro Grand Professional Range

ACCESSORIES (OPTIONAL)

25 ft. Blower Connector Cable - EXTNCB25	
For use with the following Inline and Remote Blowers: VTR630P, VTR1030P, VTR1330P, VTI610P, VTI1010P	
Roofplates	
RFPLT600P - For use with 600 CFM Remote Blower VTR630P	
RFPLT1000P - For use with 1000 CFM Remote Blower VTR1030P and 1300 CFM Blower VTR1330P	
36" W Keep-Hot Shelf	KHS36QS
36" W, 6" H Stainless Steel Duct Cover	DC36US
36" W, 12" H Stainless Steel Duct Cover	DCT36US
36" W Stainless Steel Backsplash	PA36JBS
Roof Jack and Transition	RJ310
10" Wall Cap	WC10

See page 220-221 for accessories.

GENERAL PROPERTIES

Operating Mode	Ducted
Maximum CFM	N/A
Number of Speed Settings	3-Stage
Motor Location	Blower (Sold Separately)
Number Of Lights	2
Bulb Type	40 W - G9 Base
Total Power Of The Lamps (W)	80 W
Damper Included	Yes
Grease Filter Material	Washable Stainless Steel
Grease Filter Type	Commercial-Style Baffle

TECHNICAL DETAILS

Watts (W)	N/A
Current (A)	15; 20 A
Volts (V)	120 V
Frequency (Hz)	60 HZ
Plug Type	120V-3 Prong

DIMENSIONS & WEIGHT

Overall Appliance Dimensions (Width Of Canopy Included) (HxWxD) (in)	18" x 35 15/16" x 27"
Required Distance Above Cooktop / Range Cooking Surface	30" / 30"
Diameter of Air Duct (in) Top	10"
Diameter of Air Duct (in) Back	10"
Net Weight (lbs)	80 lbs

ACCESSORIES (REQUIRED)

Blower (Sold Separately)

BLOWER OPTIONS

Remote Blower (Mounted to Roof or External Wall)	VTR630P - 600 CFM
	VTR1030P - 1000 CFM
	VTR1330P - 1300 CFM
Inline Blower (Mounted Between Kitchen and External Wall)	VTI610P - 600 CFM
	VTI1010P - 1000 CFM
Integrated Blower (Mounted in Hood)	VTN630N - 600 CFM
	VTN1030N - 1000 CFM

WARRANTY

Limited Warranty Parts And Labor	2 Year
----------------------------------	--------

PH42GS 27-INCH DEPTH WALL HOOD (42-INCH WIDTH)

PROFESSIONAL SERIES



FEATURES & BENEFITS

- Three fan speeds
- Auto function senses heat from the cooking surface and adjusts fan speeds
- Powerfully Quiet ventilation systems
- Extended capture area ensures removal of smoke and odor
- Built-in 'Clean Filter' reminder light illuminates after 40 hours of operation
- 27" depth hood is a perfect companion to the Pro Grand Professional Range

ACCESSORIES (OPTIONAL)

25 ft. Blower Connector Cable - EXTNCB25

For use with the following Inline and Remote Blowers: VTR630P, VTR1030P, VTR1330P, VTI610P, VTI1010P

Roofplates

RFPLT600P - For use with 600 CFM Remote Blower VTR630P

RFPLT1000P - For use with 1000 CFM Remote Blower VTR1030P and 1300 CFM Blower VTR1330P

42" W Keep-Hot Shelf	KHS42QS
42" W, 12" H Stainless Steel Duct Cover	DCT42US
Roof Jack and Transition	RJ310
10" Wall Cap	WC10

See page 220-221 for accessories.

GENERAL PROPERTIES

Operating Mode	Ducted
Maximum CFM	N/A
Number of Speed Settings	3-Stage
Motor Location	Blower (Sold Separately)
Number Of Lights	4
Bulb Type	40 W - G9 Base
Total Power Of The Lamps (W)	160 W
Damper Included	Yes
Grease Filter Material	Washable Stainless Steel
Grease Filter Type	Commercial-Style Baffle

TECHNICAL DETAILS

Watts (W)	N/A
Current (A)	15; 20 A
Volts (V)	120 V
Frequency (Hz)	60 HZ
Plug Type	120V-3 Prong

DIMENSIONS & WEIGHT

Overall Appliance Dimensions (Width Of Canopy Included) (HxWxD) (in)	18" x 41 15/16" x 27"
Required Distance Above Cooktop / Range Cooking Surface	30" / 30"
Diameter of Air Duct (in) Top	10"
Diameter of Air Duct (in) Back	10"
Net Weight (lbs)	85 lbs

ACCESSORIES (REQUIRED)

Blower (Sold Separately)

BLOWER OPTIONS

Remote Blower (Mounted to Roof or External Wall)	VTR630P - 600 CFM
	VTR1030P - 1000 CFM
	VTR1330P - 1300 CFM
Inline Blower (Mounted Between Kitchen and External Wall)	VTI610P - 600 CFM
	VTI1010P - 1000 CFM
Integrated Blower (Mounted in Hood)	VTN630N - 600 CFM
	VTN1030N - 1000 CFM

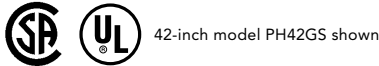
WARRANTY

Limited Warranty Parts And Labor	2 Year
----------------------------------	--------

PH48GS

27-INCH DEPTH WALL HOOD (48-INCH WIDTH)

PROFESSIONAL SERIES



FEATURES & BENEFITS

- Three fan speeds
- Auto function senses heat from the cooking surface and adjusts fan speeds
- Powerfully Quiet ventilation systems
- Extended capture area ensures removal of smoke and odor
- Built-in 'Clean Filter' reminder light illuminates after 40 hours of operation
- 27" depth hood is a perfect companion to the Pro Grand Professional Range

ACCESSORIES (OPTIONAL)

25 ft. Blower Connector Cable - EXTNCB25

For use with the following Inline and Remote Blowers: VTR630P, VTR1030P, VTR1330P, VT1610P, VT11010P

Roofplates

RFPLT600P - For use with 600 CFM Remote Blower VTR630P

RFPLT1000P - For use with 1000 CFM Remote Blower VTR1030P and 1300 CFM Blower VTR1330P

48" W Keep-Hot Shelf	KHS48QS
48" W, 6" H Stainless Steel Duct Cover	DC48US
48" W, 12" H Stainless Steel Duct Cover	DCT48US
48" W Stainless Steel Backsplash	PA48JBS
Roof Jack and Transition	RJ310
10" Wall Cap	WC10

See page 220-221 for accessories.

GENERAL PROPERTIES

Operating Mode	Ducted
Maximum CFM	N/A
Number of Speed Settings	3-Stage
Motor Location	Blower (Sold Separately)
Number Of Lights	4
Bulb Type	40 W - G9 Base
Total Power Of The Lamps (W)	160 W
Damper Included	Yes
Grease Filter Material	Washable Stainless Steel
Grease Filter Type	Commercial-Style Baffle

TECHNICAL DETAILS

Watts (W)	N/A
Current (A)	15; 20 A
Volts (V)	120 V
Frequency (Hz)	60 HZ
Plug Type	120V-3 Prong

DIMENSIONS & WEIGHT

Overall Appliance Dimensions (Width Of Canopy Included) (HxWxD) (in)	18" x 47 15/16" x 27"
Required Distance Above Cooktop / Range Cooking Surface	30" / 30"
Diameter of Air Duct (in) Top	10"
Diameter of Air Duct (in) Back	10"
Net Weight (lbs)	98 lbs

ACCESSORIES (REQUIRED)

Blower (Sold Separately)

BLOWER OPTIONS

Remote Blower (Mounted to Roof or External Wall)	VTR630P - 600 CFM
	VTR1030P - 1000 CFM
	VTR1330P - 1300 CFM
Inline Blower (Mounted Between Kitchen and External Wall)	VT1610P - 600 CFM
	VT11010P - 1000 CFM
Integrated Blower (Mounted in Hood)	VTN630N - 600 CFM
	VTN1030N - 1000 CFM

WARRANTY

Limited Warranty Parts And Labor	2 Year
----------------------------------	--------

PH54GS 27-INCH DEPTH WALL HOOD (54-INCH WIDTH)

PROFESSIONAL SERIES



42-inch model PH42GS shown

FEATURES & BENEFITS

- Three fan speeds
- Auto function senses heat from the cooking surface and adjusts fan speeds
- Powerfully Quiet ventilation systems
- Extended capture area ensures removal of smoke and odor
- Built-in 'Clean Filter' reminder light illuminates after 40 hours of operation
- 27" depth hood is a perfect companion to the Pro Grand Professional Range

ACCESSORIES (OPTIONAL)

25 ft. Blower Connector Cable - EXTNCB25

For use with the following Inline and Remote Blowers: VTR630P, VTR1030P, VTR1330P, VT1610P, VT11010P

Roofplates

RFPLT600P - For use with 600 CFM Remote Blower VTR630P

RFPLT1000P - For use with 1000 CFM Remote Blower VTR1030P and 1300 CFM Blower VTR1330P

Roof Jack and Transition	RJ310
10" Wall Cap	WC10

See page 220-221 for accessories.

GENERAL PROPERTIES

Operating Mode	Ducted
Maximum CFM	N/A
Number of Speed Settings	3-Stage
Motor Location	Blower (Sold Separately)
Number Of Lights	4
Bulb Type	40 W - G9 Base
Total Power Of The Lamps (W)	160 W
Damper Included	Yes
Grease Filter Material	Washable Stainless Steel
Grease Filter Type	Commercial-Style Baffle

TECHNICAL DETAILS

Watts (W)	N/A
Current (A)	15; 20 A
Volts (V)	120 V
Frequency (Hz)	60 HZ
Plug Type	120V-3 Prong

DIMENSIONS & WEIGHT

Overall Appliance Dimensions (Width Of Canopy Included) (HxWxD) (in)	18" x 54" x 27"
Required Distance Above Cooktop / Range Cooking Surface	30" / 30"
Diameter of Air Duct (in) Top	10"
Diameter of Air Duct (in) Back	10"
Net Weight (lbs)	111 lbs

ACCESSORIES (REQUIRED)

Blower (Sold Separately)

BLOWER OPTIONS

Remote Blower (Mounted to Roof or External Wall)	VTR630P - 600 CFM
	VTR1030P - 1000 CFM
	VTR1330P - 1300 CFM
Inline Blower (Mounted Between Kitchen and External Wall)	VT1610P - 600 CFM
	VT11010P - 1000 CFM
Integrated Blower (Mounted in Hood)	VTN630N - 600 CFM
	VTN1030N - 1000 CFM

WARRANTY

Limited Warranty Parts And Labor	2 Year
----------------------------------	--------

PH60GS 27-INCH DEPTH WALL HOOD (60-INCH WIDTH)

PROFESSIONAL SERIES



42-inch model PH42GS shown

FEATURES & BENEFITS

- Three fan speeds
- Auto function senses heat from the cooking surface and adjusts fan speeds
- Powerfully Quiet ventilation systems
- Extended capture area ensures removal of smoke and odor
- Built-in 'Clean Filter' reminder light illuminates after 40 hours of operation
- 27" depth hood is a perfect companion to the Pro Grand Professional Range

ACCESSORIES (OPTIONAL)

25 ft. Blower Connector Cable - EXTNCB25

For use with the following Inline and Remote Blowers: VTR630P, VTR1030P, VTR1330P, VTI610P, VTI1010P

Roofplates

RFPLT600P - For use with 600 CFM Remote Blower VTR630P

RFPLT1000P - For use with 1000 CFM Remote Blower VTR1030P and 1300 CFM Blower VTR1330P

Roof Jack and Transition	RJ310
10" Wall Cap	WC10

See page 220-221 for accessories.

AVAILABLE SUMMER 2016

GENERAL PROPERTIES

Operating Mode	Ducted
Maximum CFM	N/A
Number of Speed Settings	3-Stage
Motor Location	Blower (Sold Separately)
Number Of Lights	4
Bulb Type	40 W - G9 Base
Total Power Of The Lamps (W)	160 W
Damper Included	Yes
Grease Filter Material	Washable Stainless Steel
Grease Filter Type	Commercial-Style Baffle

TECHNICAL DETAILS

Watts (W)	N/A
Current (A)	15; 20 A
Volts (V)	120 V
Frequency (Hz)	60 HZ
Plug Type	120V-3 Prong

DIMENSIONS & WEIGHT

Overall Appliance Dimensions (Width Of Canopy Included) (HxWxD) (in)	18" x 60" x 27"
Required Distance Above Cooktop / Range Cooking Surface	30" / 30"
Diameter of Air Duct (in) Top	10"
Diameter of Air Duct (in) Back	10"
Net Weight (lbs)	Coming Soon

ACCESSORIES (REQUIRED)

Blower (Sold Separately)

BLOWER OPTIONS

Remote Blower (Mounted to Roof or External Wall)	VTR630P - 600 CFM
	VTR1030P - 1000 CFM
	VTR1330P - 1300 CFM
Inline Blower (Mounted Between Kitchen and External Wall)	VTI610P - 600 CFM
	VTI1010P - 1000 CFM
Integrated Blower (Mounted in Hood)	Coming Soon

WARRANTY

Limited Warranty Parts And Labor	2 Year
----------------------------------	--------

PH30HS 24-INCH DEPTH WALL HOOD (30-INCH WIDTH)

PROFESSIONAL SERIES



FEATURES & BENEFITS

- Three fan speeds
- Delayed shut-off tackles lingering odors for up to 10 minutes
- Built-in 'Clean Filter' reminder light illuminates after 40 hours of operation
- Filter systems are highly efficient at capturing grease
- Dishwasher-safe grease collection trays are easily removed
- 24" depth hood is 18" tall and a perfect companion with Pro Harmony Ranges and Rangetops

ACCESSORIES (OPTIONAL)

25 ft. Blower Connector Cable - EXTNCB25

For use with the following Inline and Remote Blowers: VTR630P, VTR1030P, VTR1330P, VT1610P, VT11010P

Roofplates

RFPLT600P - For use with 600 CFM Remote Blower VTR630P

RFPLT1000P - For use with 1000 CFM Remote Blower VTR1030P and 1300 CFM Blower VTR1330P

30" W Keep-Hot Shelf	KHS30QS
30" W, 6" H Stainless Steel Duct Cover	DC30US
30" W, 12" H Stainless Steel Duct Cover	DCT30US
30" W Stainless Steel Backsplash	PA30JBS
Roof Jack and Transition	RJ310
10" Wall Cap	WC10

See page 220-221 for accessories.

GENERAL PROPERTIES

Operating Mode	Ducted
Maximum CFM	N/A
Number of Speed Settings	3-Stage
Motor Location	Blower (Sold Separately)
Number Of Lights	2
Bulb Type	40 W - G9 Base
Total Power Of The Lamps (W)	80 W
Damper Included	Yes
Grease Filter Material	Washable Stainless Steel
Grease Filter Type	Commercial-Style Baffle

TECHNICAL DETAILS

Watts (W)	N/A
Current (A)	15; 20 A
Volts (V)	120 V
Frequency (Hz)	60 HZ
Plug Type	120V-3 Prong

DIMENSIONS & WEIGHT

Overall Appliance Dimensions (Width Of Canopy Included) (HxWxD) (in)	18" x 29 15/16" x 24"
Required Distance Above Cooktop / Range Cooking Surface	30" / 30"
Diameter of Air Duct (in) Top	10"
Diameter of Air Duct (in) Back	10"
Net Weight (lbs)	70 lbs

ACCESSORIES (REQUIRED)

Blower (Sold Separately)

BLOWER OPTIONS

Remote Blower (Mounted to Roof or External Wall)	VTR630P - 600 CFM
	VTR1030P - 1000 CFM
	VTR1330P - 1300 CFM
Inline Blower (Mounted Between Kitchen and External Wall)	VT1610P - 600 CFM
	VT11010P - 1000 CFM
Integrated Blower (Mounted in Hood)	VTN630N - 600 CFM
	VTN1030N - 1000 CFM

WARRANTY

Limited Warranty Parts And Labor	2 Year
----------------------------------	--------

PH36HS 24-INCH DEPTH WALL HOOD (36-INCH WIDTH)

PROFESSIONAL SERIES



FEATURES & BENEFITS

- Three fan speeds
- Delayed shut-off tackles lingering odors for up to 10 minutes
- Built-in 'Clean Filter' reminder light illuminates after 40 hours of operation
- Filter systems are highly efficient at capturing grease
- Dishwasher-safe grease collection trays are easily removed
- 24" depth hood is 18" tall and a perfect companion with Pro Harmony Ranges and Rangetops

ACCESSORIES (OPTIONAL)

25 ft. Blower Connector Cable - EXTNCB25

For use with the following Inline and Remote Blowers: VTR630P, VTR1030P, VTR1330P, VTI610P, VT11010P

Roofplates

RFPLT600P - For use with 600 CFM Remote Blower VTR630P

RFPLT1000P - For use with 1000 CFM Remote Blower VTR1030P and 1300 CFM Blower VTR1330P

36" W Keep-Hot Shelf	KHS36QS
36" W, 6" H Stainless Steel Duct Cover	DC36US
36" W, 12" H Stainless Steel Duct Cover	DCT36US
36" W Stainless Steel Backsplash	PA36JBS
Roof Jack and Transition	RJ310
10" Wall Cap	WC10

See page 220-221 for accessories.

GENERAL PROPERTIES

Operating Mode	Ducted
Maximum CFM	N/A
Number of Speed Settings	3-Stage
Motor Location	Blower (Sold Separately)
Number Of Lights	2
Bulb Type	40 W - G9 Base
Total Power Of The Lamps (W)	80 W
Damper Included	Yes
Grease Filter Material	Washable Stainless Steel
Grease Filter Type	Commercial-Style Baffle

TECHNICAL DETAILS

Watts (W)	N/A
Current (A)	15; 20 A
Volts (V)	120 V
Frequency (Hz)	60 HZ
Plug Type	120V-3 Prong

DIMENSIONS & WEIGHT

Overall Appliance Dimensions (Width Of Canopy Included) (HxWxD) (in)	18" x 35 15/16" x 24"
Required Distance Above Cooktop / Range Cooking Surface	30" / 30"
Diameter of Air Duct (in) Top	10"
Diameter of Air Duct (in) Back	10"
Net Weight (lbs)	75 lbs

ACCESSORIES (REQUIRED)

Blower (Sold Separately)

BLOWER OPTIONS

Remote Blower (Mounted to Roof or External Wall)	VTR630P - 600 CFM
	VTR1030P - 1000 CFM
	VTR1330P - 1300 CFM
Inline Blower (Mounted Between Kitchen and External Wall)	VTI610P - 600 CFM
	VT11010P - 1000 CFM
Integrated Blower (Mounted in Hood)	VTN630N - 600 CFM
	VTN1030N - 1000 CFM

WARRANTY

Limited Warranty Parts And Labor	2 Year
----------------------------------	--------

PH48HS 24-INCH DEPTH WALL HOOD (48-INCH WIDTH)

PROFESSIONAL SERIES



FEATURES & BENEFITS

- Three fan speeds
- Delayed shut-off tackles lingering odors for up to 10 minutes
- Built-in 'Clean Filter' reminder light illuminates after 40 hours of operation
- Filter systems are highly efficient at capturing grease
- Dishwasher-safe grease collection trays are easily removed
- 24" depth hood is 18" tall and a perfect companion with Pro Harmony Ranges and Rangetops

ACCESSORIES (OPTIONAL)

25 ft. Blower Connector Cable - EXTNCB25

For use with the following Inline and Remote Blowers: VTR630P, VTR1030P, VTR1330P, VT1610P, VT11010P

Roofplates

RFPLT600P - For use with 600 CFM Remote Blower VTR630P

RFPLT1000P - For use with 1000 CFM Remote Blower VTR1030P and 1300 CFM Blower VTR1330P

48" W Keep-Hot Shelf	KHS48QS
48" W, 6" H Stainless Steel Duct Cover	DC48US
48" W, 12" H Stainless Steel Duct Cover	DCT48US
48" W Stainless Steel Backsplash	PA48JBS
Roof Jack and Transition	RJ310
10" Wall Cap	WC10

See page 220-221 for accessories.

GENERAL PROPERTIES

Operating Mode	Ducted
Maximum CFM	N/A
Number of Speed Settings	3-Stage
Motor Location	Blower (Sold Separately)
Number Of Lights	4
Bulb Type	40 W - G9 Base
Total Power Of The Lamps (W)	160 W
Damper Included	Yes
Grease Filter Material	Washable Stainless Steel
Grease Filter Type	Commercial-Style Baffle

TECHNICAL DETAILS

Watts (W)	N/A
Current (A)	15; 20 A
Volts (V)	120 V
Frequency (Hz)	60 HZ
Plug Type	120V-3 Prong

DIMENSIONS & WEIGHT

Overall Appliance Dimensions (Width Of Canopy Included) (HxWxD) (in)	18" x 47 15/16" x 24"
Required Distance Above Cooktop / Range Cooking Surface	30" / 30"
Diameter of Air Duct (in) Top	10"
Diameter of Air Duct (in) Back	10"
Net Weight (lbs)	94 lbs

ACCESSORIES (REQUIRED)

Blower (Sold Separately)

BLOWER OPTIONS

Remote Blower (Mounted to Roof or External Wall)	VTR630P - 600 CFM
	VTR1030P - 1000 CFM
	VTR1330P - 1300 CFM
Inline Blower (Mounted Between Kitchen and External Wall)	VT1610P - 600 CFM
	VT11010P - 1000 CFM
Integrated Blower (Mounted in Hood)	VTN630N - 600 CFM
	VTN1030N - 1000 CFM

WARRANTY

Limited Warranty Parts And Labor	2 Year
----------------------------------	--------

HPWB30FS

24-INCH DEPTH WALL HOOD WITH BLOWER (30-INCH WIDTH)

PROFESSIONAL SERIES



FEATURES & BENEFITS

- 600 CFM Integrated Blower included
- Recirculation possible with kit RECIRC_FS (max 600 CFM)
- Three fan speeds
- Delayed shut-off tackles lingering odors for up to 10 minutes
- Built-in 'Clean Filter' reminder light illuminates after 40 hours of operation

ACCESSORIES (OPTIONAL)

Recirculation Kit

RECIRC30FS - For 30" Hood Only

Replacement Charcoal Filter - CHFILT3036

For Use With Recirculation Kit RECIRC_FS

30" W, 6" H Stainless Steel Duct Cover	DC30US
30" W, 12" H Stainless Steel Duct Cover	DCT30US
30" W Stainless Steel Backsplash	PA30JBS

See page 220-221 for accessories.

GENERAL PROPERTIES

Operating Mode	Convertible: Ducted / Recirculating
Maximum CFM	600 CFM
Number of Speed Settings	3-Stage
Motor Location	Integrated
Number Of Lights	2
Bulb Type	50 W - G10 Base
Total Power Of The Lamps (W)	100 W
Damper Included	Yes
Grease Filter Material	Washable Synthetic
Grease Filter Type	Multilayer Cassette

TECHNICAL DETAILS

Watts (W)	550 W
Current (A)	15 A
Volts (V)	120 V
Frequency (Hz)	60 HZ
Plug Type	Fixed Connection

DIMENSIONS & WEIGHT

Overall Appliance Dimensions (Width Of Canopy Included) (HxWxD) (in)	11" x 30" x 23 1/8"
Required Distance Above Cooktop / Range Cooking Surface	30" / 30"
Diameter of Air Duct (in) Top	10"
Diameter of Air Duct (in) Back	N/A
Net Weight (lbs)	35 lbs

ACCESSORIES (REQUIRED)

Recirculation Kit

BLOWER OPTIONS

Remote Blower (Mounted to Roof or External Wall)	N/A
	N/A
	N/A
Inline Blower (Mounted Between Kitchen and External Wall)	N/A
	N/A
Integrated Blower (Mounted in Hood)	N/A
	N/A

WARRANTY

Limited Warranty Parts And Labor	2 Year
----------------------------------	--------

HPWB36FS

24-INCH DEPTH WALL HOOD WITH BLOWER (36-INCH WIDTH)

PROFESSIONAL SERIES



FEATURES & BENEFITS

- 1,200 CFM Integrated Blower included
- Three fan speeds
- Delayed shut-off tackles lingering odors for up to 10 minutes
- Built-in 'Clean Filter' reminder light illuminates after 40 hours of operation

ACCESSORIES (OPTIONAL)

36" W, 6" H Stainless Steel Duct Cover	DC36US
36" W, 12" H Stainless Steel Duct Cover	DCT36US
36" W Stainless Steel Backsplash	PA36JBS

See page 220-221 for accessories.

GENERAL PROPERTIES

Operating Mode	Ducted
Maximum CFM	1,200 CFM
Number of Speed Settings	3-Stage
Motor Location	Integrated
Number Of Lights	2
Bulb Type	50 W - G10 Base
Total Power Of The Lamps (W)	100 W
Damper Included	Yes
Grease Filter Material	Washable Synthetic
Grease Filter Type	Multilayer Cassette

TECHNICAL DETAILS

Watts (W)	550 W
Current (A)	15 A
Volts (V)	120 V
Frequency (Hz)	60 HZ
Plug Type	Fixed Connection

DIMENSIONS & WEIGHT

Overall Appliance Dimensions (Width Of Canopy Included) (HxWxD) (in)	11" x 36" x 23 1/8"
Required Distance Above Cooktop / Range Cooking Surface	30" / 30"
Diameter of Air Duct (in) Top	10"
Diameter of Air Duct (in) Back	N/A
Net Weight (lbs)	33 lbs

BLOWER OPTIONS

Remote Blower (Mounted to Roof or External Wall)	N/A
	N/A
	N/A
Inline Blower (Mounted Between Kitchen and External Wall)	N/A
	N/A
Integrated Blower (Mounted in Hood)	N/A
	N/A

WARRANTY

Limited Warranty Parts And Labor	2 Year
----------------------------------	--------

HPWB48FS

24-INCH DEPTH WALL HOOD WITH BLOWER (48-INCH WIDTH)

PROFESSIONAL SERIES



FEATURES & BENEFITS

- 1,200 CFM Integrated Blower included
- Three fan speeds
- Delayed shut-off tackles lingering odors for up to 10 minutes
- Built-in 'Clean Filter' reminder light illuminates after 40 hours of operation

ACCESSORIES (OPTIONAL)

48" W, 6" H Stainless Steel Duct Cover	DC48US
48" W, 12" H Stainless Steel Duct Cover	DCT48US
48" W Stainless Steel Backsplash	PA48JBS

See page 220-221 for accessories.

GENERAL PROPERTIES

Operating Mode	Ducted
Maximum CFM	1,200 CFM
Number of Speed Settings	3-Stage
Motor Location	Integrated
Number Of Lights	3
Bulb Type	50 W - G10 Base
Total Power Of The Lamps (W)	150 W
Damper Included	Yes
Grease Filter Material	Washable Synthetic
Grease Filter Type	Multilayer Cassette

TECHNICAL DETAILS

Watts (W)	1,050 W
Current (A)	15 A
Volts (V)	120 V
Frequency (Hz)	60 HZ
Plug Type	Fixed Connection

DIMENSIONS & WEIGHT

Overall Appliance Dimensions (Width Of Canopy Included) (HxWxD) (in)	11" x 48" x 23 1/8"
Required Distance Above Cooktop / Range Cooking Surface	30" / 30"
Diameter of Air Duct (in) Top	10"
Diameter of Air Duct (in) Back	N/A
Net Weight (lbs)	30 lbs

BLOWER OPTIONS

Remote Blower (Mounted to Roof or External Wall)	N/A
	N/A
	N/A
Inline Blower (Mounted Between Kitchen and External Wall)	N/A
	N/A
Integrated Blower (Mounted in Hood)	N/A
	N/A

WARRANTY

Limited Warranty Parts And Labor	2 Year
----------------------------------	--------

HMWN30FS WALL HOOD (30-INCH WIDTH)

MASTERPIECE®



FEATURES & BENEFITS

- Recirculation possible with kit RECIRC_FS (max 600 CFM)
- Three fan speeds plus 10 minute high-power operation mode
- Built-in 'Clean Filter' reminder light illuminates after 40 hours of operation
- Delayed shut-off tackles lingering odors for up to 10 minutes
- Dishwasher-safe low-profile baffle filters

ACCESSORIES (OPTIONAL)

25 ft. Blower Connector Cable - EXTNCB25

For use with the following Inline and Remote Blowers: VTR630P, VTR1030P, VTR1330P, VT1610P, VT11010P

Roofplates

RFPLT600P - For use with 600 CFM Remote Blower VTR630P

RFPLT1000P - For use with 1000 CFM Remote Blower VTR1030P and 1300 CFM Blower VTR1330P

Recirculation Kit

RECIRC30FS - For 30" and 36" Hoods Only

Replacement Charcoal Filter - CHFILT3036

For Use With Recirculation Kit RECIRC_FS

30" W, 6" H Stainless Steel Duct Cover	DC30US
30" W, 12" H Stainless Steel Duct Cover	DCT30US
30" W Stainless Steel Backsplash	PA30JBS

See page 220-221 for accessories.

GENERAL PROPERTIES

Operating Mode	Convertible: Ducted / Recirculating
Maximum CFM	N/A
Number of Speed Settings	3-Stage
Motor Location	Blower (Sold Separately)
Number Of Lights	Lights Sold Separately - 2
Bulb Type	50 W - G10 Base
Total Power Of The Lamps (W)	100 W
Damper Included	Yes
Grease Filter Material	Washable Synthetic
Grease Filter Type	Multilayer Cassette

TECHNICAL DETAILS

Watts (W)	100 W
Current (A)	15 A
Volts (V)	120 V
Frequency (Hz)	60 HZ
Plug Type	Fixed Connection

DIMENSIONS & WEIGHT

Overall Appliance Dimensions (Width Of Canopy Included) (HxWxD) (in)	11" x 30" x 23 1/8"
Required Distance Above Cooktop / Range Cooking Surface	30" / 30"
Diameter of Air Duct (in) Top	10"
Diameter of Air Duct (in) Back	N/A
Net Weight (lbs)	35 lbs

ACCESSORIES (REQUIRED)

Blower (Sold Separately)

BLOWER OPTIONS

Remote Blower (Mounted to Roof or External Wall)	VTR630P - 600 CFM
	VTR1030P - 1000 CFM
	VTR1330P - 1300 CFM
Inline Blower (Mounted Between Kitchen and External Wall)	VT1610P - 600 CFM
	VT11010P - 1000 CFM
Integrated Blower (Mounted in Hood)	VTN600N - 600 CFM

WARRANTY

Limited Warranty Parts And Labor	2 Year
----------------------------------	--------

HMWN36FS

WALL HOOD (36-INCH WIDTH)

MASTERPIECE®



FEATURES & BENEFITS

- Three fan speeds plus 10 minute high-power operation mode
- Built-in 'Clean Filter' reminder light illuminates after 40 hours of operation
- Delayed shut-off tackles lingering odors for up to 10 minutes
- Dishwasher-safe low-profile baffle filters
- Recirculation possible with kit RECIRC__FS (max 600 CFM)

ACCESSORIES (OPTIONAL)

25 ft. Blower Connector Cable - EXTNCB25

For use with the following Inline and Remote Blowers: VTR630P, VTR1030P, VTR1330P, VTI610P, VT11010P

Roofplates

RFPLT600P - For use with 600 CFM Remote Blower VTR630P

RFPLT1000P - For use with 1000 CFM Remote Blower VTR1030P and 1300 CFM Blower VTR1330P

Recirculation Kit

RECIRC30FS - For 30" and 36" Hoods Only

36" W, 6" H Stainless Steel Duct Cover	DC36US
36" W, 12" H Stainless Steel Duct Cover	DCT36US
36" W Stainless Steel Backsplash	PA36JBS

See page 220-221 for accessories.

GENERAL PROPERTIES

Operating Mode	Convertible: Ducted / Recirculating
Maximum CFM	N/A
Number of Speed Settings	3-Stage
Motor Location	Blower (Sold Separately)
Number Of Lights	Lights Sold Separately - 2
Bulb Type	50 W - G10 Base
Total Power Of The Lamps (W)	100 W
Damper Included	Yes
Grease Filter Material	Washable Synthetic
Grease Filter Type	Multilayer Cassette

TECHNICAL DETAILS

Watts (W)	100 W
Current (A)	15 A
Volts (V)	120 V
Frequency (Hz)	60 HZ
Plug Type	Fixed Connection

DIMENSIONS & WEIGHT

Overall Appliance Dimensions (Width Of Canopy Included) (HxWxD) (in)	11" x 36" x 23 1/8"
Required Distance Above Cooktop / Range Cooking Surface	30" / 30"
Diameter of Air Duct (in) Top	10"
Diameter of Air Duct (in) Back	N/A
Net Weight (lbs)	33 lbs

ACCESSORIES (REQUIRED)

Blower (Sold Separately)

BLOWER OPTIONS

Remote Blower (Mounted to Roof or External Wall)	VTR630P - 600 CFM
	VTR1030P - 1000 CFM
	VTR1330P - 1300 CFM
Inline Blower (Mounted Between Kitchen and External Wall)	VTI610P - 600 CFM
	VT11010P - 1000 CFM
Integrated Blower (Mounted in Hood)	VTN600N - 600 CFM

WARRANTY

Limited Warranty Parts And Labor	2 Year
----------------------------------	--------

HMWN48FS WALL HOOD (48-INCH WIDTH)

MASTERPIECE®



FEATURES & BENEFITS

- Three fan speeds plus 10 minute high-power operation mode
- Built-in 'Clean Filter' reminder light illuminates after 40 hours of operation
- Delayed shut-off tackles lingering odors for up to 10 minutes
- Dishwasher-safe low-profile baffle filters

ACCESSORIES (OPTIONAL)

25 ft. Blower Connector Cable - EXTNCB25

For use with the following Inline and Remote Blowers: VTR630P, VTR1030P, VTR1330P, VT1610P, VT11010P

Roofplates

RFPLT600P - For use with 600 CFM Remote Blower VTR630P

RFPLT1000P - For use with 1000 CFM Remote Blower VTR1030P and 1300 CFM Blower VTR1330P

48" W, 6" H Stainless Steel Duct Cover	DC48US
48" W, 12" H Stainless Steel Duct Cover	DCT48US
48" W Stainless Steel Backsplash	PA48JBS

See page 220-221 for accessories.

GENERAL PROPERTIES

Operating Mode	Ducted
Maximum CFM	N/A
Number of Speed Settings	3-Stage
Motor Location	Blower (Sold Separately)
Number Of Lights	Lights Sold Separately - 3
Bulb Type	50 W - G10 Base
Total Power Of The Lamps (W)	100 W
Damper Included	Yes
Grease Filter Material	Washable Synthetic
Grease Filter Type	Multilayer Cassette

TECHNICAL DETAILS

Watts (W)	150 W
Current (A)	15 A
Volts (V)	120 V
Frequency (Hz)	60 HZ
Plug Type	Fixed Connection

DIMENSIONS & WEIGHT

Overall Appliance Dimensions (Width Of Canopy Included) (HxWxD) (in)	11" x 48" x 23 1/8"
Required Distance Above Cooktop / Range Cooking Surface	30" / 30"
Diameter of Air Duct (in) Top	10"
Diameter of Air Duct (in) Back	N/A
Net Weight (lbs)	30 lbs

ACCESSORIES (REQUIRED)

Blower (Sold Separately)

BLOWER OPTIONS

Remote Blower (Mounted to Roof or External Wall)	VTR630P - 600 CFM
	VTR1030P - 1000 CFM
	VTR1330P - 1300 CFM
Inline Blower (Mounted Between Kitchen and External Wall)	VT1610P - 600 CFM
	VT11010P - 1000 CFM
Integrated Blower (Mounted in Hood)	VTN600N - 600 CFM
	VTN1000N - 1000 CFM

WARRANTY

Limited Warranty Parts And Labor	2 Year
----------------------------------	--------

HMWB30FS WALL HOOD WITH BLOWER (30-INCH WIDTH)

MASTERPIECE®

Thermador 
REAL INNOVATIONS FOR REAL COOKS®



FEATURES & BENEFITS

- 600 CFM Integrated Blower included
- Recirculation possible with kit RECIRC_FS (max 600 CFM)
- Three fan speeds plus 10 minute high-power operation mode
- Built-in 'Clean Filter' reminder light illuminates after 40 hours of operation
- Delayed shut-off tackles lingering odors for up to 10 minutes

ACCESSORIES (OPTIONAL)

Recirculation Kit

RECIRC30FS - For 30" Hood Only

Replacement Charcoal Filter - CHFILT3036

For Use With Recirculation Kit RECIRC_FS

30" W, 6" H Stainless Steel Duct Cover	DC30US
30" W, 12" H Stainless Steel Duct Cover	DCT30US
30" W Stainless Steel Backsplash	PA30JBS

See page 220-221 for accessories.

GENERAL PROPERTIES

Operating Mode	Convertible: Ducted / Recirculating
Maximum CFM	600 CFM
Number of Speed Settings	3-Stage
Motor Location	Integrated
Number Of Lights	Lights Sold Separately - 2
Bulb Type	50 W - G10 Base
Total Power Of The Lamps (W)	100 W
Damper Included	Yes
Grease Filter Material	Washable Synthetic
Grease Filter Type	Multilayer Cassette

TECHNICAL DETAILS

Watts (W)	550 W
Current (A)	15 A
Volts (V)	120 V
Frequency (Hz)	60 HZ
Plug Type	Fixed Connection

DIMENSIONS & WEIGHT

Overall Appliance Dimensions (Width Of Canopy Included) (HxWxD) (in)	11" x 30" x 23 1/8"
Required Distance Above Cooktop / Range Cooking Surface	30" / 30"
Diameter of Air Duct (in) Top	10"
Diameter of Air Duct (in) Back	N/A
Net Weight (lbs)	35 lbs

ACCESSORIES (REQUIRED)

Recirculation Kit

BLOWER OPTIONS

Remote Blower (Mounted to Roof or External Wall)	N/A
	N/A
	N/A
Inline Blower (Mounted Between Kitchen and External Wall)	N/A
	N/A
Integrated Blower (Mounted in Hood)	N/A
	N/A

WARRANTY

Limited Warranty Parts And Labor	2 Year
----------------------------------	--------

HMWB36FS WALL HOOD WITH BLOWER (36-INCH WIDTH)

MASTERPIECE®



FEATURES & BENEFITS

- 600 CFM Integrated Blower included
- Recirculation possible with kit RECIRC_FS (max 600 CFM)
- Three fan speeds plus 10 minute high-power operation mode
- Built-in 'Clean Filter' reminder light illuminates after 40 hours of operation
- Delayed shut-off tackles lingering odors for up to 10 minutes

ACCESSORIES (OPTIONAL)

Recirculation Kit

RECIRC36FS - For 36" Hood Only

Replacement Charcoal Filter - CHFILT3036

For Use With Recirculation Kit RECIRC_FS

36" W, 6" H Stainless Steel Duct Cover	DC36US
36" W, 12" H Stainless Steel Duct Cover	DCT36US
36" W Stainless Steel Backsplash	PA36JBS

See page 220-221 for accessories.

GENERAL PROPERTIES

Operating Mode	Convertible: Ducted / Recirculating
Maximum CFM	600 CFM
Number of Speed Settings	3-Stage
Motor Location	Integrated
Number Of Lights	Lights Sold Separately - 2
Bulb Type	50 W - G10 Base
Total Power Of The Lamps (W)	100 W
Damper Included	Yes
Grease Filter Material	Washable Synthetic
Grease Filter Type	Multilayer Cassette

TECHNICAL DETAILS

Watts (W)	550 W
Current (A)	15 A
Volts (V)	120 V
Frequency (Hz)	60 HZ
Plug Type	Fixed Connection

DIMENSIONS & WEIGHT

Overall Appliance Dimensions (Width Of Canopy Included) (HxWxD) (in)	11" x 36" x 23 1/8"
Required Distance Above Cooktop / Range Cooking Surface	30" / 30"
Diameter of Air Duct (in) Top	10"
Diameter of Air Duct (in) Back	N/A
Net Weight (lbs)	33 lbs

ACCESSORIES (REQUIRED)

Recirculation Kit

BLOWER OPTIONS

Remote Blower (Mounted to Roof or External Wall)	N/A
	N/A
	N/A
Inline Blower (Mounted Between Kitchen and External Wall)	N/A
	N/A
Integrated Blower (Mounted in Hood)	N/A
	N/A

WARRANTY

Limited Warranty Parts And Labor	2 Year
----------------------------------	--------

WALL HOODS

PLANNING INFORMATION

MODEL OPTIONS

When selecting a ventilation system, choose from one of our two sophisticated appliance collections. Select Professional Series for the ultimate in cooking and venting power or the Masterpiece® Series for its sleek styling and numerous convenience functions. Thermador Wall Hoods are available in various depths and heights to fit your kitchen plans and are meticulously crafted for both function and design. Be sure to reference the correct model information in this design guide.

ELECTRICAL SPECIFICATIONS

Be sure your Thermador Wall Hood is properly installed and grounded by a qualified technician. Installation, electrical connections and grounding must comply with all applicable local codes.

Install a suitable conduit box (not furnished). An appropriately-sized, UL-listed conduit connector must be used to correctly attach the conduit to the junction box. Remote blowers require a 5-wire installation.

MODEL	REQUIRED CIRCUIT BREAKER
	120V AC, 60 Hz
PH36GS	15; 20 A
PH42GS	15; 20 A
PH48GS	15; 20 A
PH54GS	15; 20 A
PH60GS	15; 20 A
PH30HS	15; 20 A
PH36HS	15; 20 A
PH48HS	15; 20 A
HPWB30FS	15 A
HPWB36FS	15 A
HPWB48FS	15 A
HMWN30FS	15 A
HMWN36FS	15 A
HMWN48FS	15 A
HMWB30FS	15 A
HMWB36FS	15 A

INSTALLATION CONSIDERATIONS

The information in this design guide provides key features, product dimensions, cutouts and installation specifications. Before installing a Thermador Wall Hood, be sure to verify the cutout dimensions and electrical connections. Also, always consult with the installation manual packed with the product for complete details before installing.

INSTALLATION OPTIONS

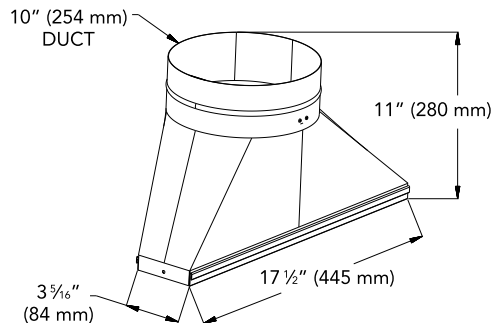
Thermador Wall Hoods may be installed above a Thermador Range or Cooktop to create a convenient cooking center. Refer to the ventilation selection guide for compatibility.

Hood installation height above a range or cooktop can vary. To obtain the necessary installation height above a Thermador Range or Cooktop, consult the appliance's installation manual. Accessory 6" and / or 12" tall duct covers are used to fill the space between the hood and ceiling.

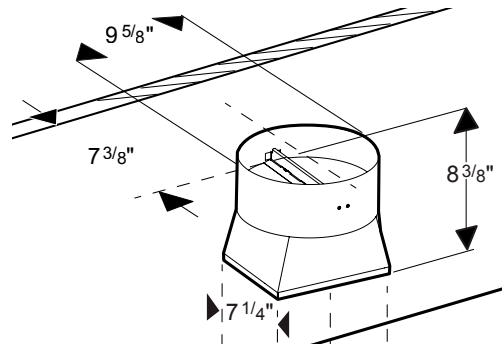
Thermador Wall Hoods can be mounted on a wall or suspended from a cabinet. The cabinet must be structurally joined to the wall studs to support the weight of this hood.

TRANSITIONS

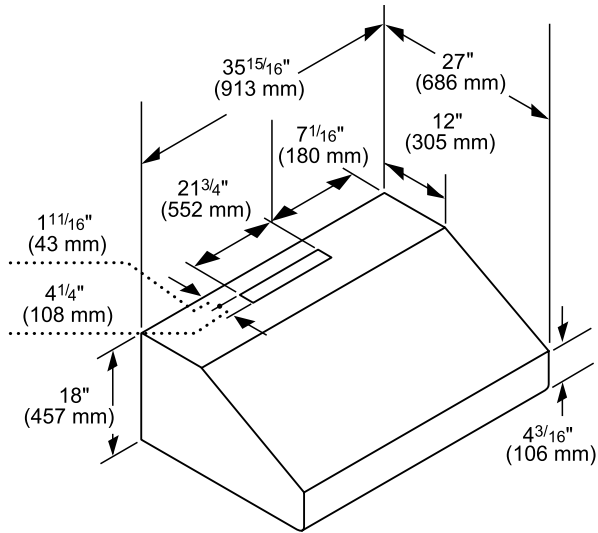
- Included with PH__GS models (except 60") and PH__HS models
- 10" round downdraft transition
- Required for installation of 1000 and 1300 CFM inline and remote blowers



- Included with PH60GS

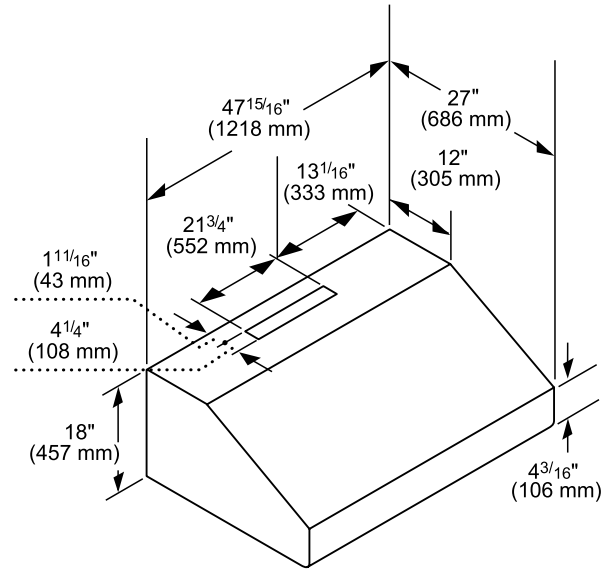


PH36GS 27-INCH DEPTH WALL HOOD (36-INCH WIDTH)



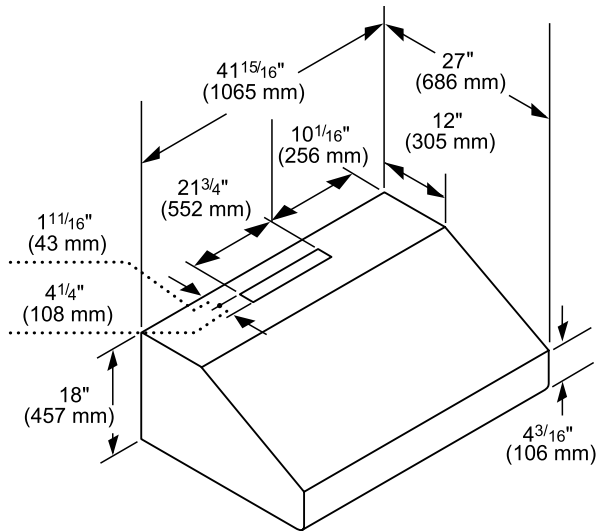
measurements in inches and mm

PH48GS 27-INCH DEPTH WALL HOOD (48-INCH WIDTH)



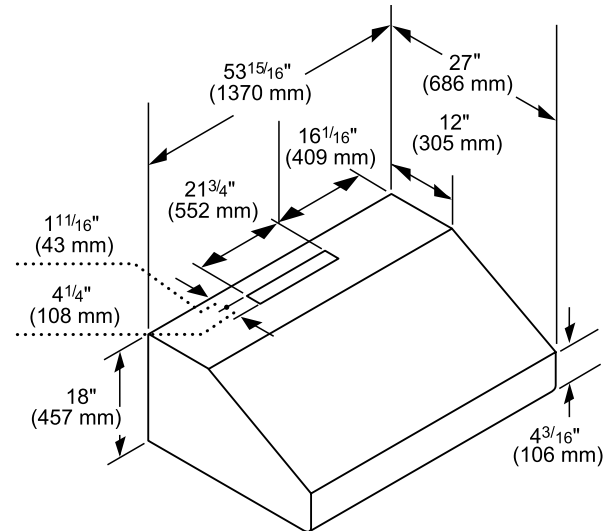
measurements in inches and mm

PH42GS 27-INCH DEPTH WALL HOOD (42-INCH WIDTH)



measurements in inches and mm

PH54GS 27-INCH DEPTH WALL HOOD (54-INCH WIDTH)



measurements in inches and mm

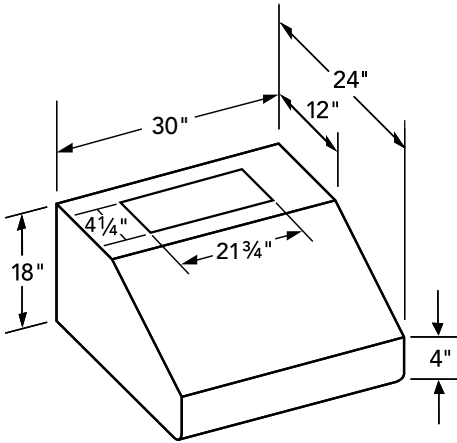
PH60GS 27-INCH DEPTH WALL HOOD (60-INCH WIDTH)

COMING SOON

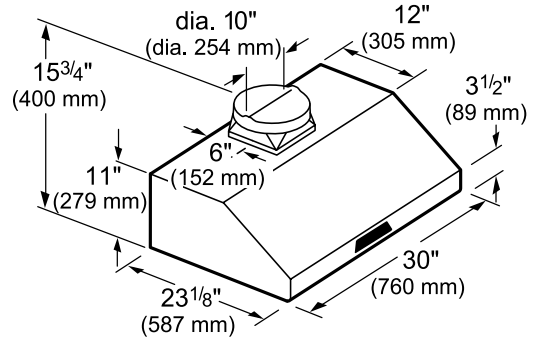
go to Thermador.com for
the latest specifications

WALL HOODS INSTALLATION

PH30HS
24-INCH DEPTH WALL HOOD (30-INCH WIDTH)

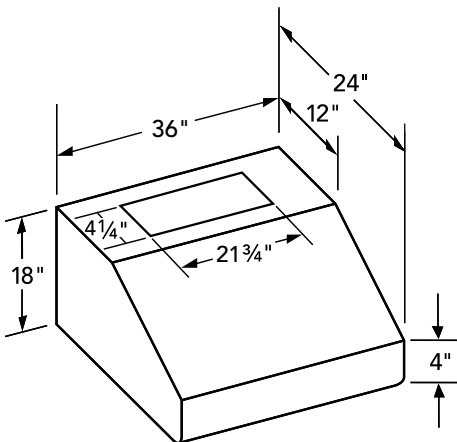


HPWB30FS
24-INCH DEPTH WALL HOOD WITH BLOWER (30-INCH WIDTH)

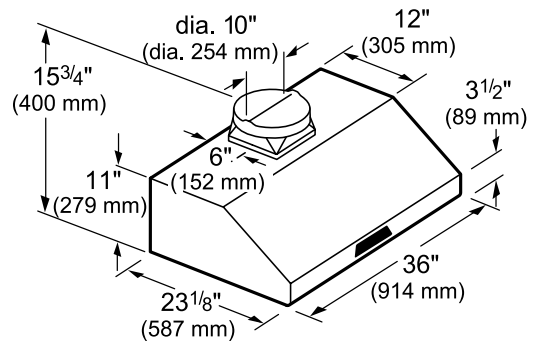


measurements in inches and mm

PH36HS
24-INCH DEPTH WALL HOOD (36-INCH WIDTH)

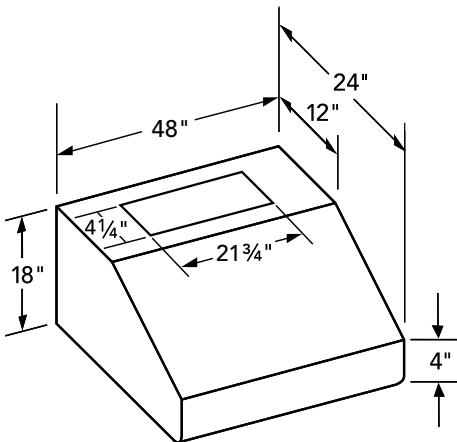


HPWB36FS
24-INCH DEPTH WALL HOOD WITH BLOWER (36-INCH WIDTH)

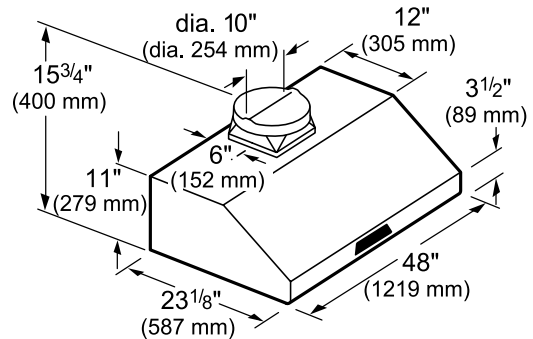


measurements in inches and mm

PH48HS
24-INCH DEPTH WALL HOOD (48-INCH WIDTH)

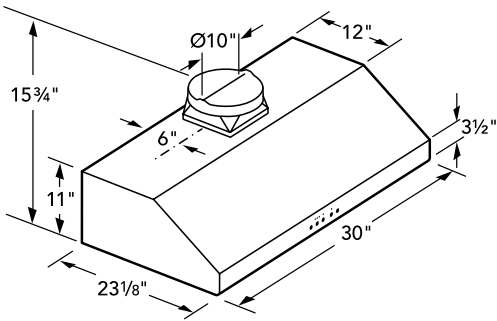


HPWB48FS
24-INCH DEPTH WALL HOOD WITH BLOWER (48-INCH WIDTH)

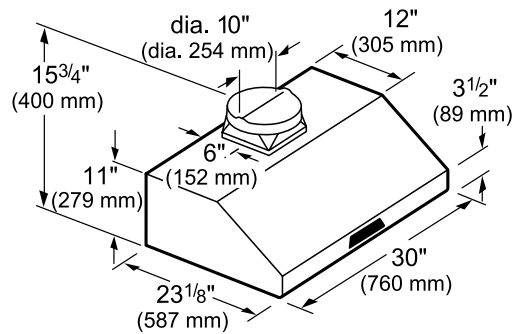


measurements in inches and mm

HMWN30FS
WALL HOOD (30-INCH WIDTH)

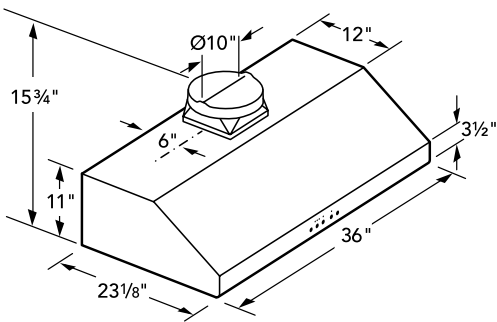


HMWB30FS
WALL HOOD WITH BLOWER (30-INCH WIDTH)

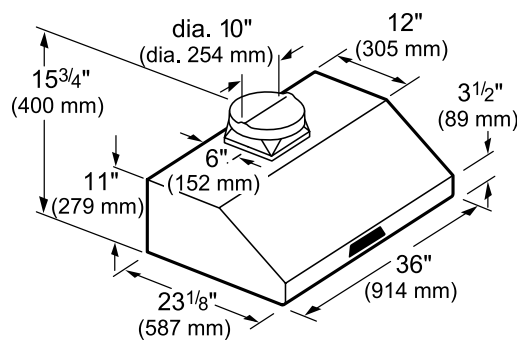


measurements in inches and mm

HMWN36FS
WALL HOOD (36-INCH WIDTH)

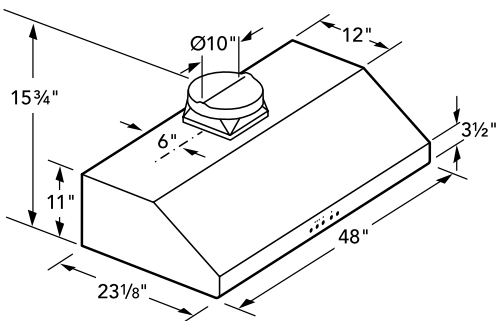


HMWB36FS
WALL HOOD WITH BLOWER (36-INCH WIDTH)



measurements in inches and mm

HMWN48FS
WALL HOOD (48-INCH WIDTH)



VENTILATION CHIMNEY WALL HOODS



CHIMNEY WALL HOODS VENTILATION

Our Professional Series chimney style wall hoods impart a more contemporary feel to the kitchen space while Masterpiece® Series impart a more traditional feel. Each model is adjustable to suit a range of ceiling heights and includes conveniences such as dishwasher-safe filters and electronic controls. Halogen lighting brilliantly illuminates your cooking space for excellent visibility.

BAFFLE FILTERS

The stainless steel, commercial style baffle filters make high-grease cooking easy. They are dishwasher-safe for easy cleanup.

MESH FILTERS

Aluminum mesh filters with stainless steel frame maximize grease capture without affecting flow and feature a quick release latch for easy cleanup.

HALOGEN LIGHTS

Bright halogen lighting spotlights your best recipes.

ELECTRONIC TOUCH CONTROL

The sleek electronic touch control panel is easy-to-use and easy-to-clean.

TIME-TO-CLEAN-FILTER LIGHT

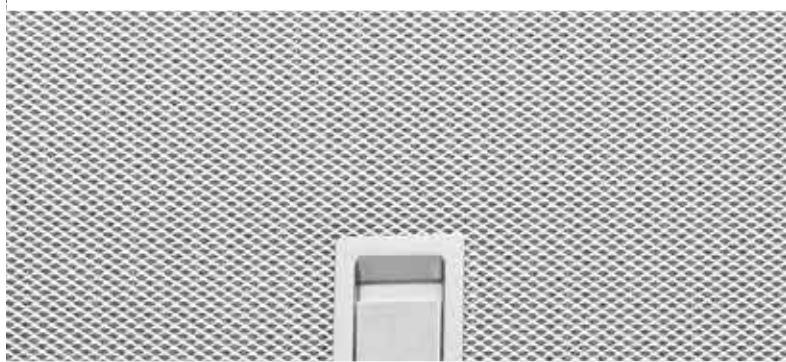
Easy cleanup: All Thermador ventilation filters are dishwasher-safe, and many hoods feature a built-in Time-to-Clean-Filter reminder light. (Except HMCB36FS, HMCB42FS)

DELAYED SHUT-OFF

For the greatest efficiency, our Masterpiece® ventilation models include delayed shut-off to tackle lingering odors. (Except HMCB36FS, HMCB42FS)



MODELS SHOWN: PCG366G PRO RANGETOP AND HMCN36FS CHIMNEY WALL HOOD. KITCHEN DESIGN BY: CHRISTY M. BOWEN & ROY FAUST, TWELVE STONES DESIGNS / NEW CREATIONS CUSTOM KITCHENS AND BATHS



HPCN36NS

36-INCH CHIMNEY WALL HOOD

PROFESSIONAL SERIES



FEATURES & BENEFITS

- Three fan speeds
- Powerfully Quiet ventilation systems
- Dimmer lighting – for a soft lighting effect
- Commercial-Style Stainless Steel Baffle Filter
- Dishwasher safe grease collection trays are easily removed

ACCESSORIES (OPTIONAL)

25 ft. Blower Connector Cable - EXTNCB25

For use with the following Inline and Remote Blowers: VTR630P, VTR1030P, VTR1330P, VTI610P, VTI1010P

Roofplates

RFPLT600P - For use with 600 CFM Remote Blower VTR630P

RFPLT1000P - For use with 1000 CFM Remote Blower VTR1030P and 1300 CFM Blower VTR1330P

36" W Keep-Hot Shelf	KHS36QS
6" High Duct Cover	CHMHP366N
12" High Duct Cover	CHMHP3612N
18" - 35" High Duct Cover	CHMHP36TSN
36" W Stainless Steel Backsplash	PA36JBS

See page 222 for accessories.

GENERAL PROPERTIES

Operating Mode	Ducted
Maximum CFM	Blower Sold Separately
Sones	N/A
Number of Speed Settings	3-Stage
Motor Location	Blower Sold Separately
Number of Lights	2
Bulb Type	Halogen
Total Power of the Lamps (W)	40 W
Damper Included	Yes
Grease Filter Material	Washable Stainless Steel
Grease Filter Type	Commercial-Style Stainless Steel Baffle Filter

TECHNICAL DETAILS

Watts (W)	N/A
Current (A)	15 A
Volts (V)	120 V
Frequency (Hz)	60 Hz
Plug Type	Fixed Connection, No Plug
Conduit Length	N/A

DIMENSIONS & WEIGHT

Overall Appliance Dimensions (Width of Canopy Included) (HxWxD) (in)	18" x 35 15/16" x 24"
Height of The Chimney (in)	Duct Covers Sold Separately
Required Distance Above Cooktop / Range Cooking Surface	30" / 30"
Diameter of Air Duct (in) Top	10"
Net Weight (lbs)	70 lbs

ACCESSORIES (REQUIRED)

Blower (Sold Separately)

BLOWER OPTIONS

Remote Blower (Mounted to Roof or External Wall)	VTR630P - 600 CFM
	VTR1030P - 1000 CFM
	VTR1330P - 1300 CFM
Inline Blower (Mounted Between Kitchen and External Wall)	VTI610P - 600 CFM
	VTI1010P - 1000 CFM
Integrated Blower (Mounted in Hood)	VTN1080N - 1000 CFM

WARRANTY

Limited Warranty Parts and Labor	2 Year
----------------------------------	--------

HPCN48NS

48-INCH CHIMNEY WALL HOOD

PROFESSIONAL SERIES



FEATURES & BENEFITS

- Three fan speeds
- Powerfully Quiet ventilation systems
- Dimmer lighting – for a soft lighting effect
- Commercial-Style Stainless Steel Baffle Filter
- Dishwasher safe grease collection trays are easily removed

ACCESSORIES (OPTIONAL)

25 ft. Blower Connector Cable - EXTNCB25

For use with the following Inline and Remote Blowers: VTR630P, VTR1030P, VTR1330P, VTI610P, VTI1010P

Roofplates

RFPLT600P - For use with 600 CFM Remote Blower VTR630P

RFPLT1000P - For use with 1000 CFM Remote Blower VTR1030P and 1300 CFM Blower VTR1330P

48" W Keep-Hot Shelf	KHS48QS
6" High Duct Cover	CHMHP486N
12" High Duct Cover	CHMHP4812N
18" - 35" High Duct Cover	CHMHP48TSN
48" W Stainless Steel Backsplash	PA48JBS

See page 222 for accessories.

GENERAL PROPERTIES

Operating Mode	Ducted
Maximum CFM	Blower Sold Separately
Sones	N/A
Number of Speed Settings	3-Stage
Motor Location	Blower Sold Separately
Number of Lights	4
Bulb Type	Halogen
Total Power of the Lamps (W)	40 W
Damper Included	Yes
Grease Filter Material	Washable Stainless Steel
Grease Filter Type	Commercial-Style Stainless Steel Baffle Filter

TECHNICAL DETAILS

Watts (W)	N/A
Current (A)	15 A
Volts (V)	120 V
Frequency (Hz)	60 Hz
Plug Type	Fixed Connection, No Plug
Conduit Length	N/A

DIMENSIONS & WEIGHT

Overall Appliance Dimensions (Width of Canopy Included) (HxWxD) (in)	18" x 47 15/16" x 24"
Height of The Chimney (in)	Duct Covers Sold Separately
Required Distance Above Cooktop / Range Cooking Surface	30" / 30"
Diameter of Air Duct (in) Top	10"
Net Weight (lbs)	88 lbs

ACCESSORIES (REQUIRED)

Blower (Sold Separately)

BLOWER OPTIONS

Remote Blower (Mounted to Roof or External Wall)	VTR630P - 600 CFM
	VTR1030P - 1000 CFM
	VTR1330P - 1300 CFM
Inline Blower (Mounted Between Kitchen and External Wall)	VTI610P - 600 CFM
	VTI1010P - 1000 CFM
Integrated Blower (Mounted in Hood)	VTN1080N - 1000 CFM

WARRANTY

Limited Warranty Parts and Labor	2 Year
----------------------------------	--------

HPCB36NS

36-INCH CHIMNEY WALL HOOD WITH BLOWER

PROFESSIONAL SERIES



FEATURES & BENEFITS

- 1,000 CFM Integrated Blower included
- Three fan speeds
- Dimmer lighting – for a soft lighting effect
- Commercial-Style Stainless Steel Baffle Filter
- Filter systems are highly efficient at capturing grease

ACCESSORIES (OPTIONAL)

36" W Keep-Hot Shelf	KHS36QS
6" High Duct Cover	CHMHP366N
12" High Duct Cover	CHMHP3612N
18" - 35" High Duct Cover	CHMHP36TSN
36" W Stainless Steel Backsplash	PA36JBS

See page 222 for accessories.

GENERAL PROPERTIES

Operating Mode	Ducted
Maximum CFM	1,000 CFM
Sones	12.0 HS / 4.0 WS
Number of Speed Settings	3-Stage
Motor Location	Integrated Motor In Hood Body
Number of Lights	2
Bulb Type	Halogen
Total Power of the Lamps (W)	40 W
Damper Included	Yes
Grease Filter Material	Washable Stainless Steel
Grease Filter Type	Commercial-Style Stainless Steel Baffle Filter

TECHNICAL DETAILS

Watts (W)	N/A
Current (A)	15 A
Volts (V)	120 V
Frequency (Hz)	60 Hz
Plug Type	Fixed Connection, No Plug
Conduit Length	N/A

DIMENSIONS & WEIGHT

Overall Appliance Dimensions (Width of Canopy Included) (HxWxD) (in)	18" x 35 15/16" x 24"
Height of The Chimney (in)	Duct Covers Sold Separately
Required Distance Above Cooktop / Range Cooking Surface	30" / 30"
Diameter of Air Duct (in) Top	10"
Net Weight (lbs)	91 lbs

BLOWER OPTIONS

Remote Blower (Mounted to Roof or External Wall)	N/A
	N/A
	N/A
Inline Blower (Mounted Between Kitchen and External Wall)	N/A
	N/A
Integrated Blower (Mounted in Hood)	N/A

WARRANTY

Limited Warranty Parts and Labor	2 Year
----------------------------------	--------

HPCB48NS

48-INCH CHIMNEY WALL HOOD WITH BLOWER

PROFESSIONAL SERIES



FEATURES & BENEFITS

- 1,000 CFM Integrated Blower included
- Three fan speeds
- Dimmer lighting – for a soft lighting effect
- Commercial-Style Stainless Steel Baffle Filter
- Filter systems are highly efficient at capturing grease

ACCESSORIES (OPTIONAL)

48" W Keep-Hot Shelf	KHS48QS
6" High Duct Cover	CHMHP486N
12" High Duct Cover	CHMHP4812N
18" - 35" High Duct Cover	CHMHP48TSN
48" W Stainless Steel Backsplash	PA48JBS

See page 222 for accessories.

GENERAL PROPERTIES

Operating Mode	Ducted
Maximum CFM	1,000 CFM
Sones	10.5 HS / 2.5 WS
Number of Speed Settings	3-Stage
Motor Location	Integrated Motor In Hood Body
Number of Lights	4
Bulb Type	Halogen
Total Power of the Lamps (W)	40 W
Damper Included	Yes
Grease Filter Material	Washable Stainless Steel
Grease Filter Type	Commercial-Style Stainless Steel Baffle Filter

TECHNICAL DETAILS

Watts (W)	N/A
Current (A)	15 A
Volts (V)	120 V
Frequency (Hz)	60 Hz
Plug Type	Fixed Connection, No Plug
Conduit Length	N/A

DIMENSIONS & WEIGHT

Overall Appliance Dimensions (Width of Canopy Included) (HxWxD) (in)	18" x 47 15/16" x 24"
Height of The Chimney (in)	Duct Covers Sold Separately
Required Distance Above Cooktop / Range Cooking Surface	30" / 30"
Diameter of Air Duct (in) Top	10"
Net Weight (lbs)	110 lbs

BLOWER OPTIONS

Remote Blower (Mounted to Roof or External Wall)	N/A
	N/A
	N/A
Inline Blower (Mounted Between Kitchen and External Wall)	N/A
	N/A
Integrated Blower (Mounted in Hood)	N/A

WARRANTY

Limited Warranty Parts and Labor	2 Year
----------------------------------	--------

HMCN36FS

36-INCH CHIMNEY WALL HOOD

MASTERPIECE® SERIES



FEATURES & BENEFITS

- Three fan speeds plus 10 minute high-power operation mode
- Delayed shut-off tackles lingering odors for up to 10 minutes
- Built-in 'Clean Filter' reminder light illuminates after 40 hours of operation
- Dimmer lighting—for those hours after a late meal
- Dishwasher-safe stainless-frame mesh filters

ACCESSORIES (OPTIONAL)

25 ft. Blower Connector Cable - EXTNCB25

For use with the following Inline and Remote Blowers: VTR630P, VTR1030P, VTR1330P, VTI610P, VT11010P

Roofplates

RFPLT600P - For use with 600 CFM Remote Blower VTR630P

RFPLT1000P - For use with 1000 CFM Remote Blower VTR1030P and 1300 CFM Blower VTR1330P

Stainless Steel Chimney Hood Extension - CHIMXHMC

For up to 11-foot ceiling applications. Extension replaces upper section of standard chimney extension. May require fabrication to reduce height.

See page 222 for accessories.

GENERAL PROPERTIES

Operating Mode	Ducted
Maximum CFM	Blower Sold Separately
Sones	N/A
Number of Speed Settings	3-Stage
Motor Location	Blower Sold Separately
Number of Lights	3
Bulb Type	Halogen
Total Power of the Lamps (W)	20 W
Damper Included	No
Grease Filter Material	Washable Synthetic
Grease Filter Type	Multilayer Cassette

TECHNICAL DETAILS

Watts (W)	60 W
Current (A)	15 A
Volts (V)	110 V
Frequency (Hz)	60 Hz
Plug Type	120V-3 Prong
Conduit Length	N/A

DIMENSIONS & WEIGHT

Overall Appliance Dimensions (Width of Canopy Included) (HxWxD) (in)	31" - 35" x 35 1/2" x 21 1/2"
Height of The Chimney (in)	21 1/2" - 25 1/2"
Required Distance Above Cooktop / Range Cooking Surface	30" / 30"
Diameter of Air Duct (in) Top	8"
Net Weight (lbs)	41 lbs

ACCESSORIES (REQUIRED)

Blower (Sold Separately)

BLOWER OPTIONS

Remote Blower (Mounted to Roof or External Wall)	VTR630P - 600 CFM
	VTR1030P - 1000 CFM
	VTR1330P - 1300 CFM
Inline Blower (Mounted Between Kitchen and External Wall)	VTI610P - 600 CFM
	VT11010P - 1000 CFM
Integrated Blower (Mounted in Hood)	VTN1080N - 1000 CFM

WARRANTY

Limited Warranty Parts and Labor	2 Year
----------------------------------	--------

HMCN42FS

42-INCH CHIMNEY WALL HOOD

MASTERPIECE® SERIES



FEATURES & BENEFITS

- Three fan speeds plus 10 minute high-power operation mode
- Delayed shut-off tackles lingering odors for up to 10 minutes
- Built-in 'Clean Filter' reminder light illuminates after 40 hours of operation
- Dimmer lighting—for those hours after a late meal
- Dishwasher-safe stainless-frame mesh filters

ACCESSORIES (OPTIONAL)

25 ft. Blower Connector Cable - EXTNCB25

For use with the following Inline and Remote Blowers: VTR630P, VTR1030P, VTR1330P, VTI610P, VTI1010P

Roofplates

RFPLT600P - For use with 600 CFM Remote Blower VTR630P

RFPLT1000P - For use with 1000 CFM Remote Blower VTR1030P and 1300 CFM Blower VTR1330P

Stainless Steel Chimney Hood Extension - CHIMXHMC

For up to 11-foot ceiling applications. Extension replaces upper section of standard chimney extension. May require fabrication to reduce height.

See page 222 for accessories.

GENERAL PROPERTIES

Operating Mode	Ducted
Maximum CFM	Blower Sold Separately
Sones	N/A
Number of Speed Settings	3-Stage
Motor Location	Blower Sold Separately
Number of Lights	3
Bulb Type	Halogen
Total Power of the Lamps (W)	20 W
Damper Included	No
Grease Filter Material	Washable Synthetic
Grease Filter Type	Multilayer Cassette

TECHNICAL DETAILS

Watts (W)	60 W
Current (A)	15 A
Volts (V)	110 V
Frequency (Hz)	60 Hz
Plug Type	120V-3 Prong
Conduit Length	51"

DIMENSIONS & WEIGHT

Overall Appliance Dimensions (Width of Canopy Included) (HxWxD) (in)	31" - 35" x 41 1/2" x 21 1/2"
Height of The Chimney (in)	21 1/2" - 25 1/2"
Required Distance Above Cooktop / Range Cooking Surface	30" / 30"
Diameter of Air Duct (in) Top	8"
Net Weight (lbs)	44 lbs

ACCESSORIES (REQUIRED)

Blower (Sold Separately)

BLOWER OPTIONS

Remote Blower (Mounted to Roof or External Wall)	VTR630P - 600 CFM
	VTR1030P - 1000 CFM
	VTR1330P - 1300 CFM
Inline Blower (Mounted Between Kitchen and External Wall)	VTI610P - 600 CFM
	VTI1010P - 1000 CFM
Integrated Blower (Mounted in Hood)	VTN1080N - 1000 CFM

WARRANTY

Limited Warranty Parts and Labor	2 Year
----------------------------------	--------

HMCB36FS

36-INCH CHIMNEY WALL HOOD WITH BLOWER

MASTERPIECE® SERIES



FEATURES & BENEFITS

- 600 CFM Integrated Blower included
- Three fan speeds plus 10 minute high-power operation mode
- Dishwasher-safe stainless-steel mesh filters
- Filter systems are highly efficient at capturing grease
- Powerfully Quiet® ventilation systems

ACCESSORIES (OPTIONAL)

Stainless Steel Chimney Hood Extension - CHIMXHMC

For up to 11-foot ceiling applications. Extension replaces upper section of standard chimney extension. May require fabrication to reduce height.

See page 222 for accessories.

GENERAL PROPERTIES

Operating Mode	Ducted
Maximum CFM	600 CFM
Sones	N/A
Number of Speed Settings	3-Stage
Motor Location	Integrated Motor In Hood Body
Number of Lights	3
Bulb Type	Halogen
Total Power of the Lamps (W)	20 W
Damper Included	Yes
Grease Filter Material	Washable Synthetic
Grease Filter Type	Multilayer Cassette

TECHNICAL DETAILS

Watts (W)	590 W
Current (A)	15 A
Volts (V)	110 V
Frequency (Hz)	60 Hz
Plug Type	120V-3 Prong
Conduit Length	51"

DIMENSIONS & WEIGHT

Overall Appliance Dimensions (Width of Canopy Included) (HxWxD) (in)	31" - 35" / x 35 1/2" x 21 1/2"
Height of The Chimney (in)	21 1/2" - 25 1/2"
Required Distance Above Cooktop / Range Cooking Surface	30" / 30"
Diameter of Air Duct (in) Top	6"
Net Weight (lbs)	48 lbs

BLOWER OPTIONS

Remote Blower (Mounted to Roof or External Wall)	N/A
	N/A
	N/A
Inline Blower (Mounted Between Kitchen and External Wall)	N/A
	N/A
Integrated Blower (Mounted in Hood)	N/A

WARRANTY

Limited Warranty Parts and Labor	2 Year
----------------------------------	--------

HMCB42FS

42-INCH CHIMNEY WALL HOOD WITH BLOWER

MASTERPIECE® SERIES



FEATURES & BENEFITS

- 600 CFM Integrated Blower included
- Three fan speeds plus 10 minute high-power operation mode
- Dishwasher-safe stainless-frame mesh filters
- Filter systems are highly efficient at capturing grease
- Powerfully Quiet® ventilation systems

ACCESSORIES (OPTIONAL)

Stainless Steel Chimney Hood Extension - CHIMXHMC

For up to 11-foot ceiling applications. Extension replaces upper section of standard chimney extension. May require fabrication to reduce height.

See page 222 for accessories.

GENERAL PROPERTIES

Operating Mode	Ducted
Maximum CFM	600 CFM
Sones	N/A
Number of Speed Settings	3-Stage
Motor Location	Integrated Motor In Hood Body
Number of Lights	3
Bulb Type	Halogen
Total Power of the Lamps (W)	20 W
Damper Included	Yes
Grease Filter Material	Washable Synthetic
Grease Filter Type	Multilayer Cassette

TECHNICAL DETAILS

Watts (W)	590 W
Current (A)	15 A
Volts (V)	110 V
Frequency (Hz)	60 Hz
Plug Type	120V-3 Prong
Conduit Length	51"

DIMENSIONS & WEIGHT

Overall Appliance Dimensions (Width of Canopy Included) (HxWxD) (in)	31" - 35" / x 41 1/2" x 21 1/2"
Height of The Chimney (in)	21 1/2" - 25 1/2"
Required Distance Above Cooktop / Range Cooking Surface	30" / 30"
Diameter of Air Duct (in) Top	6"
Net Weight (lbs)	57 lbs

BLOWER OPTIONS

Remote Blower (Mounted to Roof or External Wall)	N/A
	N/A
	N/A
Inline Blower (Mounted Between Kitchen and External Wall)	N/A
	N/A
Integrated Blower (Mounted in Hood)	N/A

WARRANTY

Limited Warranty Parts and Labor	2 Year
----------------------------------	--------

HDDW36FS

36-INCH CHIMNEY WALL DRAWER HOOD

MASTERPIECE® SERIES



FEATURES & BENEFITS

- ★ - Unique sliding stainless canopy can be pushed back against the wall for increased head room
- ★ - 45% increase in capture area when hood is extended
 - 600 CFM Integrated Blower included
 - Three fan speeds plus 10 minute high-power operation mode
 - Built-in 'Clean Filter' reminder light illuminates after 40 hours of operation

ACCESSORIES (OPTIONAL)

Stainless Steel Chimney Hood Extension - CHIMXHDD

For up to 11-foot ceiling applications. Extension replaces upper section of standard chimney extension. May require fabrication to reduce height.

See page 222 for accessories.

GENERAL PROPERTIES

Operating Mode	Ducted
Maximum CFM	600 CFM
Sones	N/A
Number of Speed Settings	3-Stage
Motor Location	Integrated Motor In Hood Body
Number of Lights	4
Bulb Type	Halogen
Total Power of the Lamps (W)	20 W
Damper Included	Yes
Grease Filter Material	Washable Synthetic
Grease Filter Type	Multilayer Cassette

TECHNICAL DETAILS

Watts (W)	610 W
Current (A)	15 A
Volts (V)	120 V
Frequency (Hz)	60 Hz
Plug Type	120V-3 Prong
Conduit Length	51"

DIMENSIONS & WEIGHT

Overall Appliance Dimensions (Width of Canopy Included) (HxWxD) (in)	26 3/4" - 42 1/2" x 35 1/2" x 17"
Height of The Chimney (in)	23 7/8" - 39 5/8"
Required Distance Above Cooktop / Range Cooking Surface	30" / 30"
Diameter of Air Duct (in) Top	6"
Net Weight (lbs)	64 lbs

BLOWER OPTIONS

Remote Blower (Mounted to Roof or External Wall)	N/A
	N/A
	N/A
Inline Blower (Mounted Between Kitchen and External Wall)	N/A
	N/A
Integrated Blower (Mounted in Hood)	N/A

WARRANTY

Limited Warranty Parts and Labor	2 Year
----------------------------------	--------

CHIMNEY WALL HOODS PLANNING INFORMATION

MODEL OPTIONS

Thermador Chimney Wall Hoods feature sleek styling and numerous convenience functions. Chimney Wall Hoods are available in 36-inch, 42-inch and 48-inch widths and are adjustable to suit a range of ceiling heights. All stainless steel or stainless steel with glass designs are available. Be sure to reference the correct model information in this design guide.

ELECTRICAL SPECIFICATIONS

Be sure your Thermador Chimney Wall Hood is properly installed and grounded by a qualified technician. Installation, electrical connections and grounding must comply with all applicable local codes.

If possible, site the earthed socket directly behind the chimney paneling. The grounded socket should be connected via its own circuit. If the grounded socket is no longer accessible following installation of the hood, ensure that there is a permanently installed disconnect.

MODEL	REQUIRED CIRCUIT BREAKER
	120V AC, 60 Hz
HPCN36NS	15 A
HPCN48NS	15 A
HPCB36NS	15 A
HPCB48NS	15 A
HMCN36FS	15 A
HMCN42FS	15 A
HMCB36FS	15 A
HMCB42FS	15 A
HDDW36FS	15 A

INSTALLATION CONSIDERATIONS

The information in this design guide provides key features, product dimensions, cutouts and installation specifications. Before installing a Thermador Chimney Wall Hood, be sure to verify the cutout dimensions and electrical connections. Also, always consult with the installation manual packed with the product for complete details before installing.

INSTALLATION OPTIONS

Thermador Chimney Wall Hoods may be installed above a Thermador Range or Cooktop to create a convenient cooking center. Refer to the ventilation selection guide for compatibility.

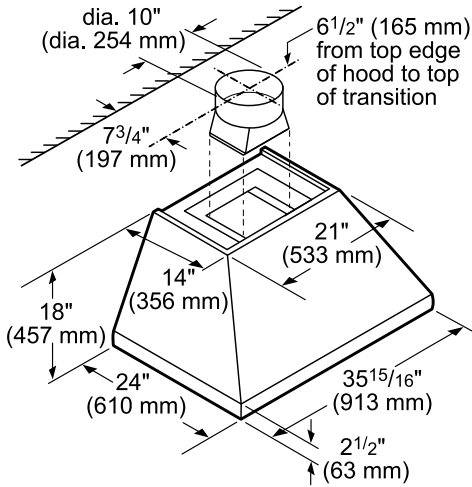
Hood installation height above a range or cooktop can vary. To obtain the necessary installation height above a Thermador Range or Cooktop, consult the appliance's installation manual. An accessory Hood Extension can be used to fill the space between the hood and ceiling.

Thermador Wall Hoods can be mounted on a wall or suspended from a cabinet. The cabinet must be structurally joined to the wall studs to support the weight of this hood.

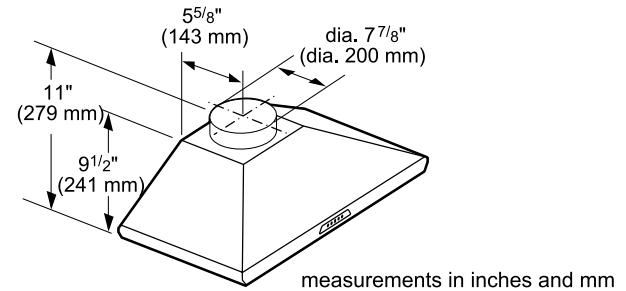
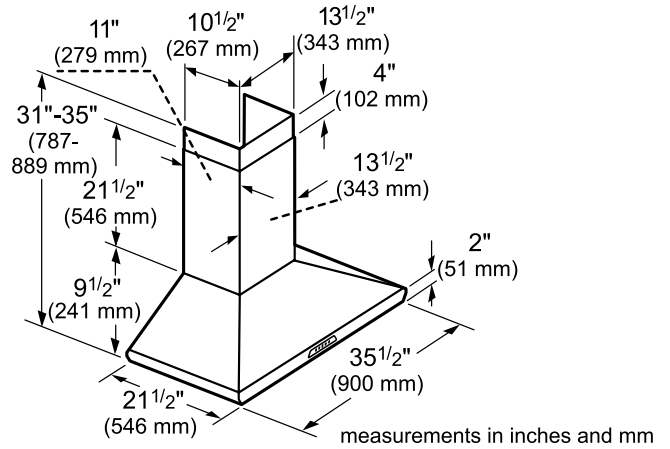
CHIMNEY WALL HOODS INSTALLATION

HPCN36NS 36-INCH CHIMNEY WALL HOOD

HPCB36NS 36-INCH CHIMNEY WALL HOOD WITH BLOWER

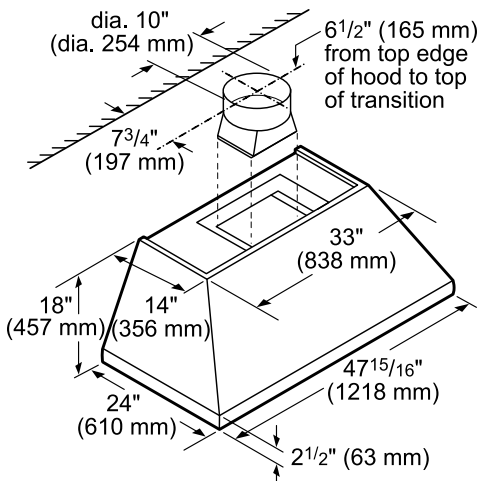


HMCN36FS 36-INCH CHIMNEY WALL HOOD

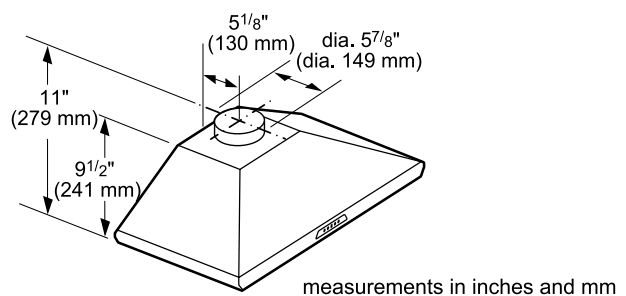
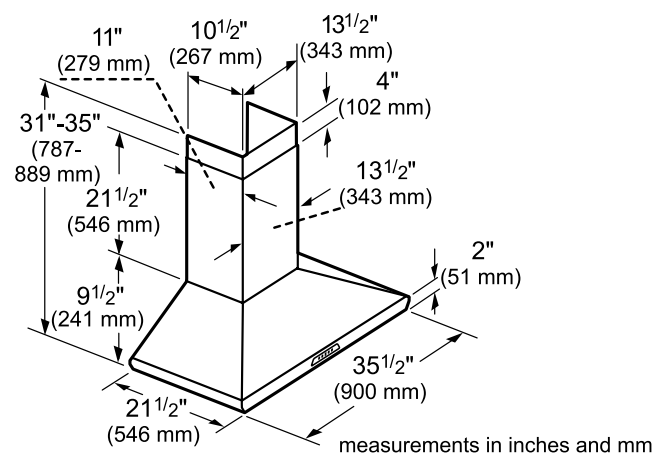


HPCN48NS 48-INCH CHIMNEY WALL HOOD

HPCB48NS 48-INCH CHIMNEY WALL HOOD WITH BLOWER

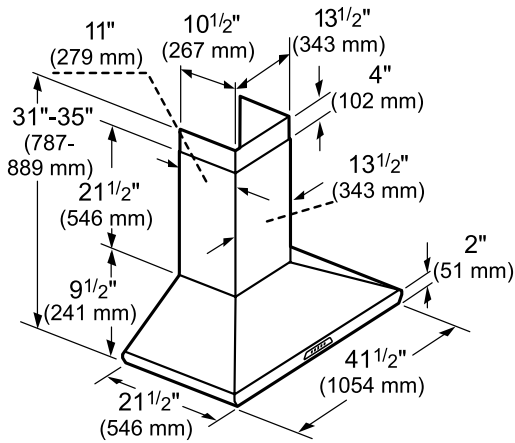


HMCB36FS 36-INCH CHIMNEY WALL HOOD WITH BLOWER

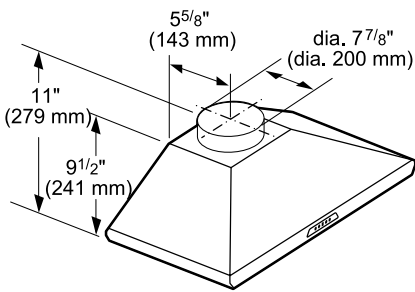


CHIMNEY WALL HOODS INSTALLATION

HMCN42FS 42-INCH CHIMNEY WALL HOOD

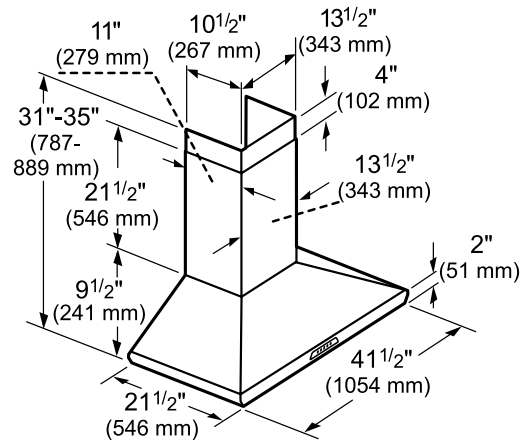


measurements in inches and mm

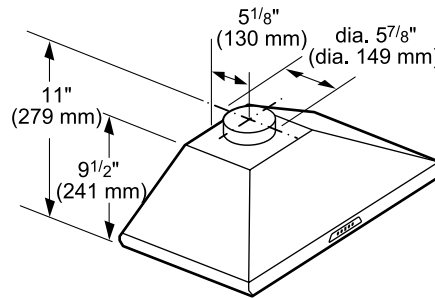


measurements in inches and mm

HMCB42FS 42-INCH CHIMNEY WALL HOOD WITH BLOWER

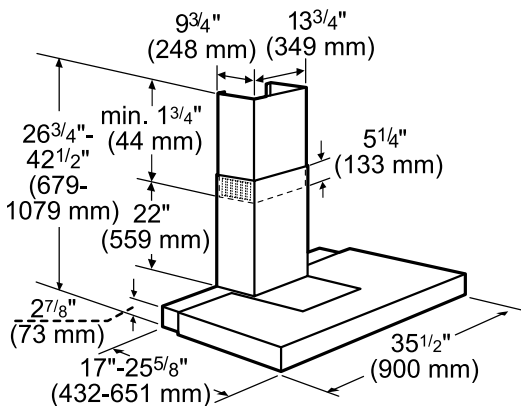


measurements in inches and mm



measurements in inches and mm

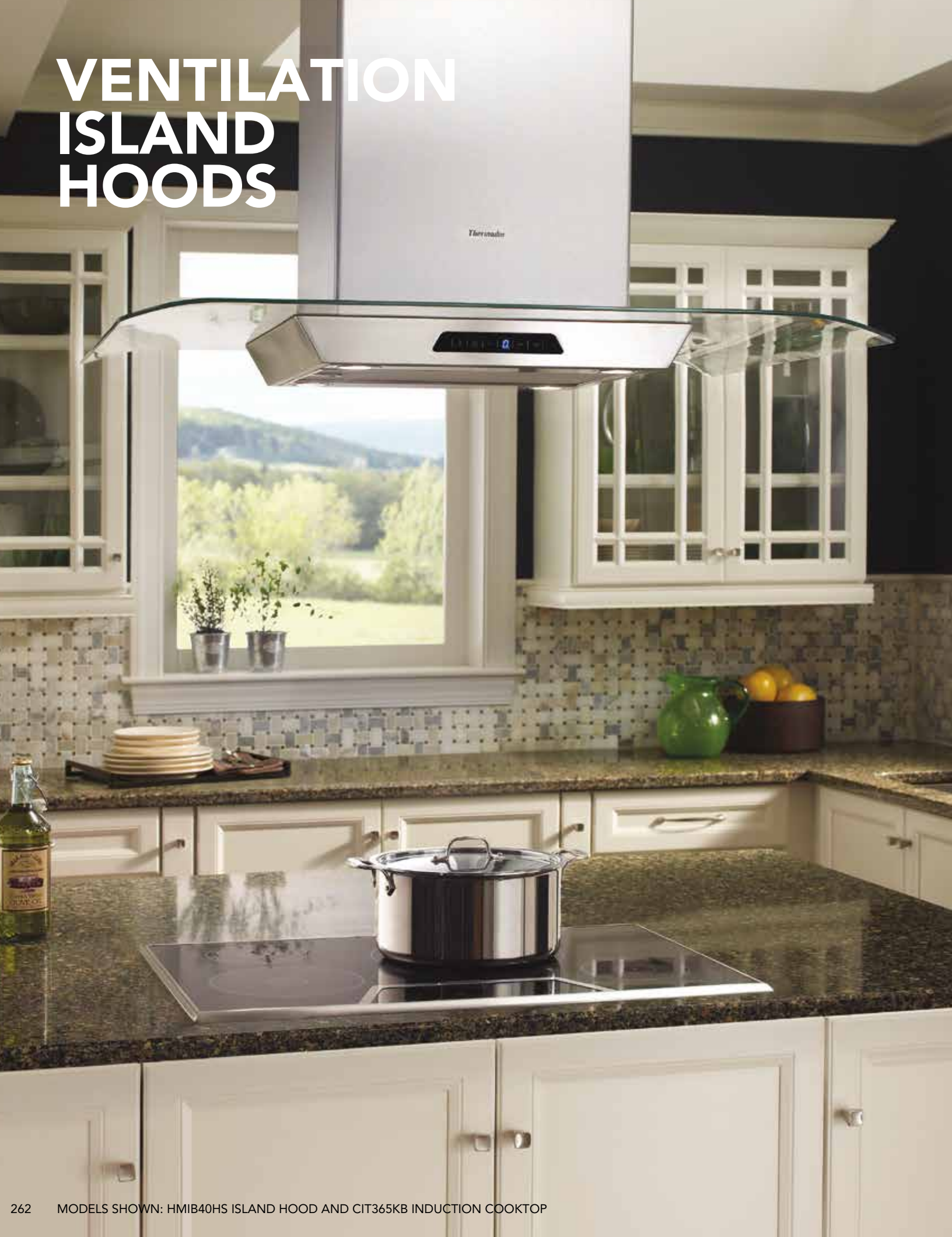
HDDW36FS 36-INCH CHIMNEY WALL DRAWER HOOD



measurements in inches and mm

INSTALLATION NOTE: This product ships with two transport brackets to hold the movable canopy in place during shipping and installation. After installation, be sure to remove the brackets to operate the sliding drawer canopy.

VENTILATION ISLAND HOODS



Ventador

1200-1-1

ISLAND HOODS VENTILATION

Thermador® Island Hoods make an artful design statement in your kitchen. With excellent efficiency in drawing away smoke, moisture and heat, the adjustable chimney height is perfect over island cooktop or range installations. Dishwasher-safe filters make cleanup easy.

EXTERIOR CONTROLS

Easy-to-clean, easy-to-use push-button controls put accuracy at your fingertips.

POWERFULLY QUIET® OPERATION

Steam, smoke and odors are no problem for Thermador ducted ventilation systems.

TIME-TO-CLEAN-FILTER LIGHT

Easy cleanup: All Thermador ventilation filters are dishwasher-safe, and many hoods feature a built-in Time-to-Clean-Filter reminder light.

DISHWASHER-SAFE FILTERS

Dishwasher-safe aluminum filters for easy-clean maintenance.

DELAYED SHUT-OFF

For the greatest efficiency, our Professional and Masterpiece® ventilation models include delayed shut-off to tackle lingering odors.

HALOGEN LIGHTS

Bright halogen lighting spotlights your best recipes.



HPIN42HS

42-INCH LOW PROFILE ISLAND HOOD

PROFESSIONAL SERIES



FEATURES & BENEFITS

- Three fan speeds
- Built-in 'Clean Filter' reminder light illuminates after 40 hours of operation
- Delayed shut-off tackles lingering odors for up to 10 minutes
- Dishwasher-safe frameless filters with stainless steel covers
- Filter systems are highly efficient at capturing grease

ACCESSORIES (OPTIONAL)

25 ft. Blower Connector Cable - EXTNCB25

For use with the following Inline and Remote Blowers:
VTR630P, VTR1030P, VTR1330P, VTI610P, VTI1010P

Roofplates

RFPLT600P - For use with 600 CFM Remote Blower VTR630P

RFPLT1000P - For use with 1000 CFM Remote Blower
VTR1030P and 1300 CFM Blower VTR1330P

See page 223 for accessories.

GENERAL PROPERTIES

Operating Mode	Ducted
Maximum CFM	Blower Sold Separately
Number of Speed Settings	3-Stage
Motor Location	N/A
Number Of Lights	4
Bulb Type	Halogen 20 W - G9 Base
Total Power Of The Lamps (W)	80 W
Damper Included	Yes
Grease Filter Material	Washable Stainless Steel
Grease Filter Type	Multilayer Cassette

TECHNICAL DETAILS

Watts (W)	80 W
Current (A)	10 A
Volts (V)	120 V
Frequency (Hz)	60 Hz
Plug Type	120V-3 Prong
Power Cord Length	51 2/16"

DIMENSIONS & WEIGHT

Overall Appliance Dimensions (Width Of Canopy Included) (HxWxD) (in)	30 3/8" - 41 3/8" / x 41 1/3" x 27 1/2"
Height Of The Chimney (in)	28 3/8" - 39 7/16"
Minimum Ceiling Height Required	97 3/16"
Required Distance Above Cooktop / Range Cooking Surface	30" / 30"
Diameter of Air Duct (in) Top	6"
Net Weight (lbs)	87 lbs

ACCESSORIES (REQUIRED)

Blower (Sold Separately)

BLOWER OPTIONS

Remote Blowers (Mounted to Roof or External Wall)	VTR630P - 600 CFM
	VTR1030P - 1000 CFM
	VTR1330P - 1300 CFM
Inline Blowers (Mounted Between Kitchen and External Wall)	VTI610P - 600 CFM
	VTI1010P - 1000 CFM

WARRANTY

Limited Warranty Parts And Labor	2 Year
----------------------------------	--------

HPIN48HS

48-INCH LOW PROFILE ISLAND HOOD

PROFESSIONAL SERIES



FEATURES & BENEFITS

- Three fan speeds
- Built-in 'Clean Filter' reminder light illuminates after 40 hours of operation
- Delayed shut-off tackles lingering odors for up to 10 minutes
- Dishwasher-safe frameless filters with stainless steel covers
- Filter systems are highly efficient at capturing grease

ACCESSORIES (OPTIONAL)

25 ft. Blower Connector Cable - EXTNCB25

For use with the following Inline and Remote Blowers:
VTR630P, VTR1030P, VTR1330P, VTI610P, VTI1010P

Roofplates

RFPLT600P - For use with 600 CFM Remote Blower VTR630P

RFPLT1000P - For use with 1000 CFM Remote Blower
VTR1030P and 1300 CFM Blower VTR1330P

See page 223 for accessories.

GENERAL PROPERTIES

Operating Mode	Ducted
Maximum CFM	Blower Sold Separately
Number of Speed Settings	3-Stage
Motor Location	N/A
Number Of Lights	4
Bulb Type	Halogen 20 W - G9 Base
Total Power Of The Lamps (W)	80 W
Damper Included	Yes
Grease Filter Material	Washable Stainless Steel
Grease Filter Type	Multilayer Cassette

TECHNICAL DETAILS

Watts (W)	80 W
Current (A)	10 A
Volts (V)	120 V
Frequency (Hz)	60 Hz
Plug Type	120V-3 Prong
Power Cord Length	51 2/16"

DIMENSIONS & WEIGHT

Overall Appliance Dimensions (Width Of Canopy Included) (HxWxD) (in)	30 3/8" - 41 3/8" / x 47 1/4" x 27 1/2"
Height Of The Chimney (in)	28 3/8" - 39 7/16"
Minimum Ceiling Height Required	97 3/16"
Required Distance Above Cooktop / Range Cooking Surface	30" / 30"
Diameter of Air Duct (in) Top	6"
Net Weight (lbs)	101 lbs

ACCESSORIES (REQUIRED)

Blower (Sold Separately)

BLOWER OPTIONS

Remote Blowers (Mounted to Roof or External Wall)	VTR630P - 600 CFM
	VTR1030P - 1000 CFM
	VTR1330P - 1300 CFM
Inline Blowers (Mounted Between Kitchen and External Wall)	VTI610P - 600 CFM
	VTI1010P - 1000 CFM

WARRANTY

Limited Warranty Parts And Labor	2 Year
----------------------------------	--------

HPIB42HS

42-INCH LOW PROFILE ISLAND HOOD WITH BLOWER **Thermador**

MASTERPIECE® SERIES

REAL INNOVATIONS FOR REAL COOKS®



FEATURES & BENEFITS

- 600 CFM Integrated Blower included
- Recirculation possible with kit RECIRISL
- Three fan speeds
- Built-in 'Clean Filter' reminder light illuminates after 40 hours of operation
- Delayed shut-off tackles lingering odors for up to 10 minutes

ACCESSORIES (OPTIONAL)

Recirculation Kit

RECIRISL - For use with 600 CFM Blowers Only

Replacement Charcoal Filters

CHFISL - For use with Recirculation Kit RECIRISL

See page 223 for accessories.

GENERAL PROPERTIES

Operating Mode	Convertible: Ducted / Recirculating
Maximum CFM	600 CFM
Number of Speed Settings	3-Stage
Motor Location	Integrated Motor in Hood Chimney
Number Of Lights	4
Bulb Type	Halogen 20 W - G9 Base
Total Power Of The Lamps (W)	80 W
Damper Included	Yes
Grease Filter Material	Washable Stainless Steel
Grease Filter Type	Multilayer Cassette

TECHNICAL DETAILS

Watts (W)	640 W
Current (A)	10 A
Volts (V)	120 V
Frequency (Hz)	60 Hz
Plug Type	120V-3 Prong
Power Cord Length	51 2/16"

DIMENSIONS & WEIGHT

Overall Appliance Dimensions (Width Of Canopy Included) (HxWxD) (in)	30 3/8" - 41 3/8" / x 41 1/3" x 27 1/2"
Height Of The Chimney (in)	28 3/8" - 39 7/16"
Minimum Ceiling Height Required	97 3/16"
Required Distance Above Cooktop / Range Cooking Surface	30" / 30"
Diameter of Air Duct (in) Top	6"
Net Weight (lbs)	96 lbs

BLOWER OPTIONS

Remote Blowers (Mounted to Roof or External Wall)	N/A
	N/A
	N/A
Inline Blowers (Mounted Between Kitchen and External Wall)	N/A
	N/A

WARRANTY

Limited Warranty Parts And Labor	2 Year
----------------------------------	--------

HPIB48HS

48-INCH LOW PROFILE ISLAND HOOD WITH BLOWER



MASTERPIECE® SERIES



FEATURES & BENEFITS

- 600 CFM Integrated Blower included
- Recirculation possible with kit RECIRISL
- Three fan speeds
- Built-in 'Clean Filter' reminder light illuminates after 40 hours of operation
- Delayed shut-off tackles lingering odors for up to 10 minutes

ACCESSORIES (OPTIONAL)

Recirculation Kit

RECIRISL - For use with 600 CFM Blowers Only

Replacement Charcoal Filters

CHFILISL - For use with Recirculation Kit RECIRISL

See page 223 for accessories.

GENERAL PROPERTIES

Operating Mode	Convertible: Ducted / Recirculating
Maximum CFM	600 CFM
Number of Speed Settings	3-Stage
Motor Location	Integrated Motor in Hood Chimney
Number Of Lights	4
Bulb Type	Halogen 20 W - G9 Base
Total Power Of The Lamps (W)	80 W
Damper Included	Yes
Grease Filter Material	Washable Stainless Steel
Grease Filter Type	Multilayer Cassette

TECHNICAL DETAILS

Watts (W)	640 W
Current (A)	10 A
Volts (V)	120 V
Frequency (Hz)	60 Hz
Plug Type	120V-3 Prong
Power Cord Length	51 2/16"

DIMENSIONS & WEIGHT

Overall Appliance Dimensions (Width Of Canopy Included) (HxWxD) (in)	30 3/8" - 41 3/8" / x 47 1/4" x 27 1/2"
Height Of The Chimney (in)	28 3/8" - 39 7/16"
Minimum Ceiling Height Required	97 3/16"
Required Distance Above Cooktop / Range Cooking Surface	30" / 30"
Diameter of Air Duct (in) Top	6"
Net Weight (lbs)	101 lbs

BLOWER OPTIONS

Remote Blowers (Mounted to Roof or External Wall)	N/A
	N/A
	N/A
Inline Blowers (Mounted Between Kitchen and External Wall)	N/A
	N/A

WARRANTY

Limited Warranty Parts And Labor	2 Year
----------------------------------	--------

HMIB40HS

40-INCH GLASS ISLAND HOOD WITH BLOWER

MASTERPIECE® SERIES



FEATURES & BENEFITS

- 600 CFM Integrated Blower included
- An ideal solution for island cooktop installations
- Four fan speeds including one intensive level
- Built-in 'Clean Filter' reminder light illuminates after 40 hours of operation
- Delayed shut-off tackles lingering odors for up to 10 minutes

ACCESSORIES (OPTIONAL)

Recirculation Kit

RECIRISL - For use with 600 CFM Blowers Only

Replacement Charcoal Filters

CHFILISL - For use with Recirculation Kit RECIRISL

See page 223 for accessories.

GENERAL PROPERTIES

Operating Mode	Convertible: Ducted / Recirculating
Maximum CFM	600 CFM
Number of Speed Settings	3-Stage
Motor Location	Integrated Motor in Hood Chimney
Number Of Lights	4
Bulb Type	Halogen 20 W - G9 Base
Total Power Of The Lamps (W)	80 W
Damper Included	Yes
Grease Filter Material	Washable Synthetic
Grease Filter Type	Multilayer Cassette

TECHNICAL DETAILS

Watts (W)	530 W
Current (A)	10 A
Volts (V)	120 V
Frequency (Hz)	60 Hz
Plug Type	120V-3 Prong
Power Cord Length	51 2/16"

DIMENSIONS & WEIGHT

Overall Appliance Dimensions (Width Of Canopy Included) (HxWxD) (in)	30 3/8" - 41 3/8" / x 39 5/16" x 27 1/2"
Height Of The Chimney (in)	28 3/8" - 39 7/16"
Minimum Ceiling Height Required	97 3/16"
Required Distance Above Cooktop / Range Cooking Surface	30" / 30"
Diameter of Air Duct (in) Top	6"
Net Weight (lbs)	87 lbs

BLOWER OPTIONS

Remote Blowers (Mounted to Roof or External Wall)	N/A
	N/A
	N/A
Inline Blowers (Mounted Between Kitchen and External Wall)	N/A
	N/A

WARRANTY

Limited Warranty Parts And Labor	2 Year
----------------------------------	--------

ISLAND HOODS

PLANNING INFORMATION

MODEL OPTIONS

Thermador Island Hoods are available in 40-inch, 42-inch and 48-inch widths and feature a stainless steel design and the 40-inch has an elegant glass canopy. All of our island hoods are adjustable to suit ceiling heights of up to 9'.

ELECTRICAL SPECIFICATIONS

Be sure your Thermador Island Hood is properly installed and grounded by a qualified technician. Installation, electrical connections and grounding must comply with all applicable local codes.

MODEL	REQUIRED CIRCUIT BREAKER
	120V AC, 60 Hz
HPIN42HS	10 A
HPIN48HS	10 A
HPIB42HS	10 A
HPIB48HS	10 A
HMIB40HS	10 A

INSTALLATION CONSIDERATIONS

The information in this design guide provides key features, product dimensions and installation specifications. Before installing a Thermador Island Hood, be sure to verify the dimensions and electrical connections. Also, always consult with the installation manual packed with the product for complete details before installing.

INSTALLATION OPTIONS

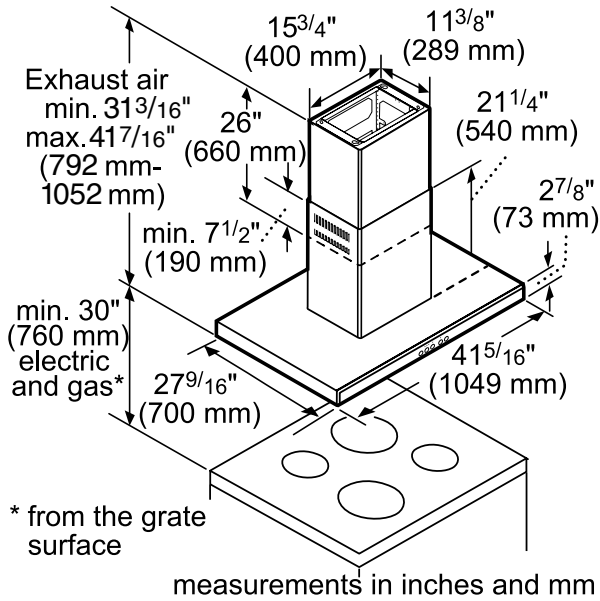
Thermador Island Wall Hoods may be installed above a Thermador Range or Cooktop to create a convenient cooking center. Refer to the ventilation selection guide for compatibility.

Hood installation height above a range or cooktop can vary. To obtain the necessary installation height above a Thermador Range or Cooktop, consult the appliance's installation manual.

Thermador Island Hoods are suspended from the ceiling. The minimum ceiling height required is 97 ³/₁₆".

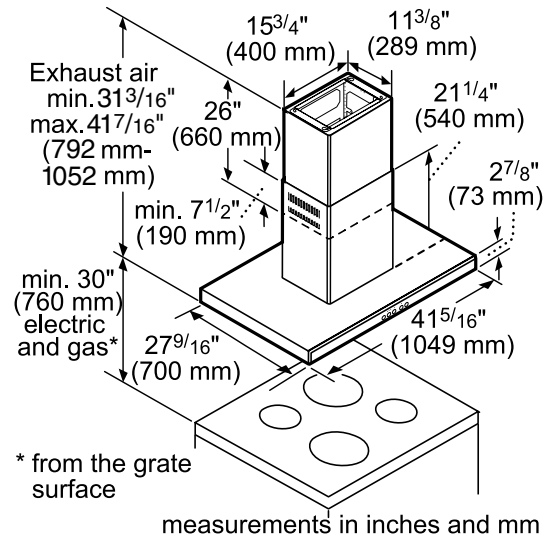
ISLAND HOODS INSTALLATION

HPIN42HS 42-INCH LOW PROFILE ISLAND HOOD

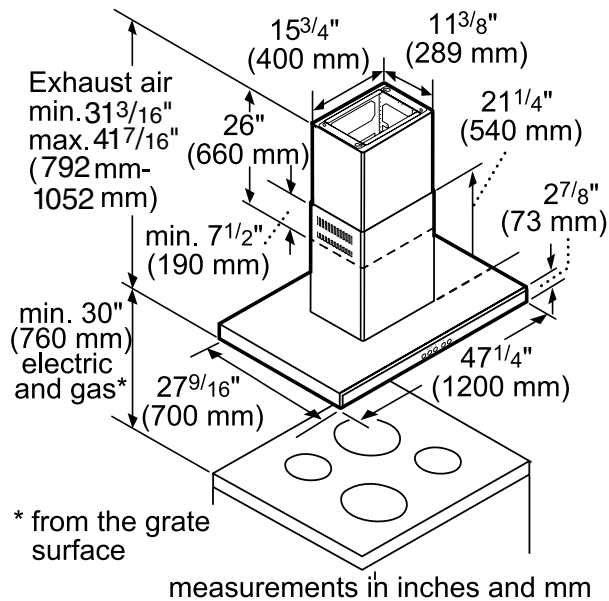


HPIB42HS 42-INCH LOW PROFILE ISLAND HOOD WITH BLOWER

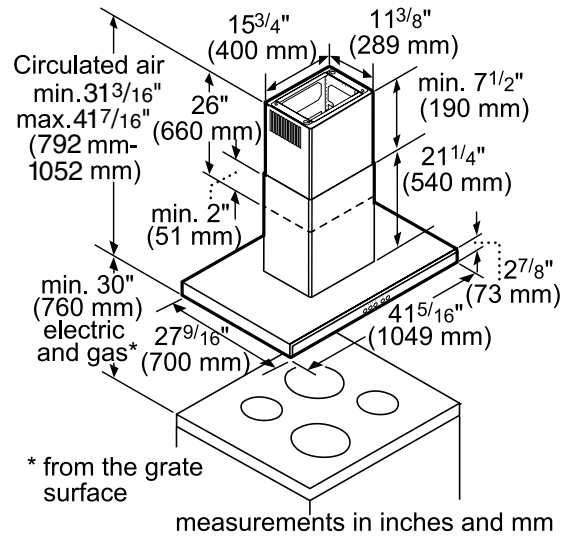
EXTERNAL EXHAUST



HPIN48HS 48-INCH LOW PROFILE ISLAND HOOD



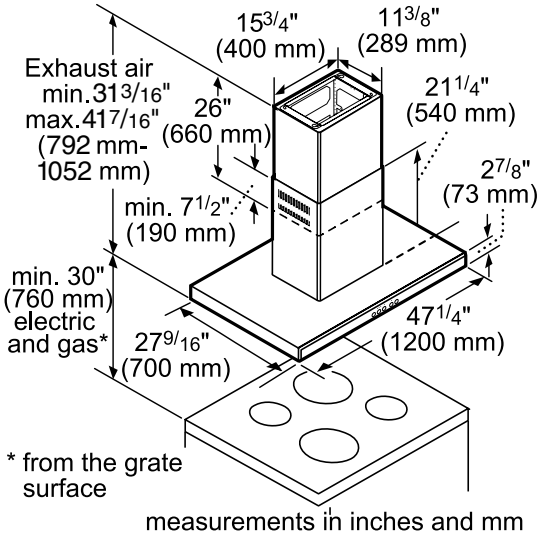
INTERNAL RECIRCULATION



ISLAND HOODS INSTALLATION

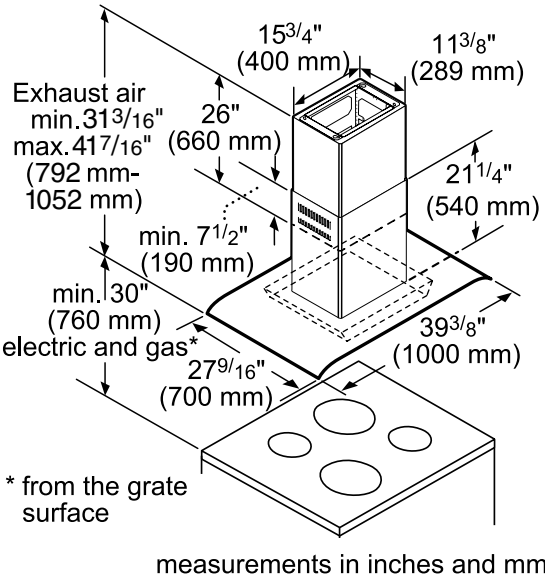
HPIB48HS 48-INCH LOW PROFILE ISLAND HOOD WITH BLOWER

EXTERNAL EXHAUST

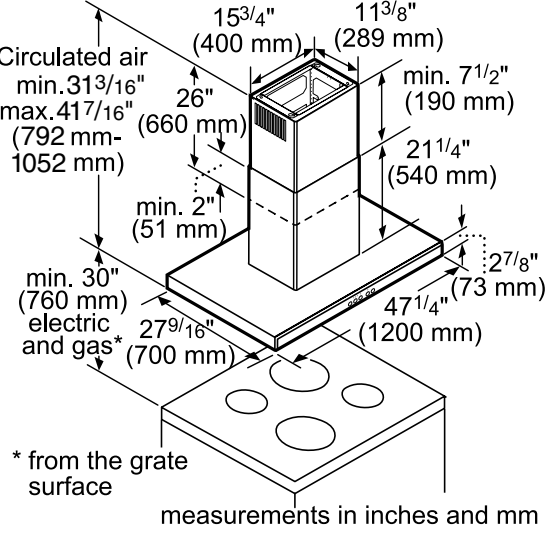


HMIB40HS 40-INCH GLASS ISLAND HOOD WITH BLOWER

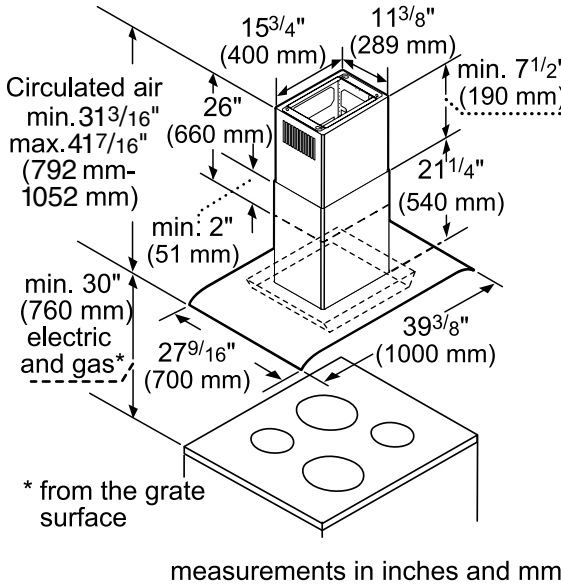
EXTERNAL EXHAUST



INTERNAL RECIRCULATION



INTERNAL RECIRCULATION



VENTILATION CUSTOM INSERTS



CUSTOM INSERTS VENTILATION

A Thermador® Custom Hood Insert allows the home owner the ultimate creative expression and creates a seamless design option for a wall or island application. These inserts efficiently and quietly remove odor and steam with easy-to-access controls. Inserts are available for both professional and non-professional applications.

CUSTOM HOOD INSERT

Specially designed for professional custom hood applications to create a concealed ventilation system.

TIME-TO-CLEAN-FILTER LIGHT

Easy cleanup: All Thermador ventilation filters are dishwasher-safe, and feature a built-in Time-to-Clean-Filter reminder light.

DELAYED SHUT-OFF

For the greatest efficiency, our Professional ventilation models include delayed shut-off to tackle lingering odors.

PUSH BUTTON CONTROLS

Concealed three-speed, push-button controls are easy to use.

REMOTE VENTILATION CONTROL

Remote controls for customized ventilation applications are easy to use and have a sophisticated and professional style. (photo represents VCI2REMKS)

HALOGEN LIGHTS

Bright halogen lighting spotlights your best recipes.

MESH FILTERS

Aluminum mesh filters with stainless steel frame maximize grease capture without affecting flow. (VCI230DS, VCI236DS, VCI248DS only)

BAFFLE FILTERS

Stainless steel commercial-style baffle filters maximize grease capture and they're dishwasher-safe for easy clean-up. (VCIN and VCIB Series)



VCIN36JP

36-INCH CUSTOM INSERT

PROFESSIONAL SERIES



FEATURES & BENEFITS

- Suitable for wall or island applications
- Three fan speeds
- Auto function senses heat from the cooking surface and adjusts fan speeds
- Built-in 'clean filter' reminder light illuminates after 40 hours of operation
- Delayed shut-off tackles lingering odors for up to 10 minutes

ACCESSORIES (OPTIONAL)

25 ft. Blower Connector Cable - EXTNCB25

For use with the following Inline and Remote Blowers: VTR630P, VTR1030P, VTR1330P, VTI610P, VT11010P

Custom Hood Liner	LINER236
Remote Control Panel	VCI2REMKS
Roofplates	
RFPLT600P - For use with 600 CFM Remote Blower VTR630P	
RFPLT1000P - For use with 1000 CFM Remote Blower VTR1030P and 1300 CFM Blower VTR1330P	
36" Wide Stainless Steel Backsplash	PA36JBS
8" Wall Cap	WC8
10" Wall Cap	WC10
3 1/4" x 10" Wall Cap	WC310
Roof Jack and Transition	RJ310



Remote Control Panel

See page 224–225 for accessories.

GENERAL PROPERTIES

Operating Mode	Ducted
Number of Speed Settings	3-Stage
Motor Location	N/A
Number of Lights	2
Bulb Type	Halogen
Total Power of the Lamps (W)	40 W
Damper Included	Yes
Grease Filter Material	Washable Stainless Steel
Grease Filter Type	Stainless-Steel Commercial Style Baffle Filter

TECHNICAL DETAILS

Watts (W)	1,020 W
Current (A)	15 A
Volts (V)	120 V
Frequency (Hz)	60 Hz
Plug Type	Fixed Connection
Power Cord / Conduit Length (in)	Direct Wire at Junction Box

DIMENSIONS & WEIGHT

Overall Appliance Dimensions (Width of Canopy Included) (HxWxD) (in)	12 13/16" x 33 3/4" x 22"
Required Distance Above Cooktop / Range Cooking Surface	30" Electric / 30" Gas
Diameter of Air Duct (in.) Top	10"
Net Weight (lbs)	54 lbs

ACCESSORIES (REQUIRED)

Blower (Sold Separately)

BLOWER OPTIONS

Remote Blowers (Mounted to Roof or External Wall)	VTR630P - 600 CFM
	VTR1030P - 1000 CFM
	VTR1330P - 1300 CFM
Inline Blowers (Mounted Between Kitchen and External Wall)	VTI610P - 600 CFM
	VT11010P - 1000 CFM
Integrated Blower (Mounted in Hood)	VTN630N - 600 CFM
	VTN1030N - 1000 CFM

WARRANTY

Limited Warranty Parts and Labor	2 Year
----------------------------------	--------

VCIN48JP

48-INCH CUSTOM INSERT

PROFESSIONAL SERIES



FEATURES & BENEFITS

- Suitable for wall or island applications
- Three fan speeds
- Auto function senses heat from the cooking surface and adjusts fan speeds
- Built-in 'clean filter' reminder light illuminates after 40 hours of operation
- Delayed shut-off tackles lingering odors for up to 10 minutes

ACCESSORIES (OPTIONAL)

25 ft. Blower Connector Cable - EXTNCB25

For use with the following Inline and Remote Blowers: VTR630P, VTR1030P, VTR1330P, VT1610P, VT11010P

Custom Hood Liner	LINER248
Remote Control Panel	VC12REMKS
Roofplates	
RFPLT600P - For use with 600 CFM Remote Blower VTR630P	
RFPLT1000P - For use with 1000 CFM Remote Blower VTR1030P and 1300 CFM Blower VTR1330P	
48" Wide Stainless Steel Backsplash	PA48JBS
8" Wall Cap	WC8
10" Wall Cap	WC10
3 1/4" x 10" Wall Cap	WC310
Roof Jack and Transition	RJ310



Remote Control Panel

See page 224–225 for accessories.

GENERAL PROPERTIES

Operating Mode	Ducted
Number of Speed Settings	3-Stage
Motor Location	N/A
Number of Lights	4
Bulb Type	Halogen
Total Power of the Lamps (W)	40 W
Damper Included	Yes
Grease Filter Material	Washable Stainless Steel
Grease Filter Type	Stainless-Steel Commercial Style Baffle Filter

TECHNICAL DETAILS

Watts (W)	1,020 W
Current (A)	15 A
Volts (V)	120 V
Frequency (Hz)	60 Hz
Plug Type	Fixed Connection
Power Cord / Conduit Length (in)	Direct Wire at Junction Box

DIMENSIONS & WEIGHT

Overall Appliance Dimensions (Width of Canopy Included) (HxWxD) (in)	12 13/16" x 45 3/4" x 22"
Required Distance Above Cooktop / Range Cooking Surface	30" Electric / 30" Gas
Diameter of Air Duct (in.) Top	10"
Net Weight (lbs)	65 lbs

ACCESSORIES (REQUIRED)

Blower (Sold Separately)

BLOWER OPTIONS

Remote Blowers (Mounted to Roof or External Wall)	VTR630P - 600 CFM
	VTR1030P - 1000 CFM
	VTR1330P - 1300 CFM
Inline Blowers (Mounted Between Kitchen and External Wall)	VT1610P - 600 CFM
	VT11010P - 1000 CFM
Integrated Blower (Mounted in Hood)	VTN630N - 600 CFM
	VTN1030N - 1000 CFM

WARRANTY

Limited Warranty Parts and Labor	2 Year
----------------------------------	--------

VCIN54JP
54-INCH CUSTOM INSERT
PROFESSIONAL SERIES



48-inch model VCIN48JP shown



FEATURES & BENEFITS

- Suitable for wall or island applications
- Three fan speeds
- Auto function senses heat from the cooking surface and adjusts fan speeds
- Built-in 'clean filter' reminder light illuminates after 40 hours of operation
- Delayed shut-off tackles lingering odors for up to 10 minutes

ACCESSORIES (OPTIONAL)

25 ft. Blower Connector Cable - EXTNCB25

For use with the following Inline and Remote Blowers: VTR630P, VTR1030P, VTR1330P, VTI610P, VTI1010P

Custom Hood Liner	LINER254
Remote Control Panel	VCI2REMKS
Roofplates	
RFPLT600P - For use with 600 CFM Remote Blower VTR630P	
RFPLT1000P - For use with 1000 CFM Remote Blower VTR1030P and 1300 CFM Blower VTR1330P	
8" Wall Cap	WC8
10" Wall Cap	WC10
3 1/4" x 10" Wall Cap	WC310
Roof Jack and Transition	RJ310



Remote Control Panel

See page 224–225 for accessories.

GENERAL PROPERTIES

Operating Mode	Ducted
Number of Speed Settings	3-Stage
Motor Location	N/A
Number of Lights	4
Bulb Type	Halogen
Total Power of the Lamps (W)	40 W
Damper Included	Yes
Grease Filter Material	Washable Stainless Steel
Grease Filter Type	Stainless-Steel Commercial Style Baffle Filter

TECHNICAL DETAILS

Watts (W)	1,020 W
Current (A)	15 A
Volts (V)	120 V
Frequency (Hz)	60 Hz
Plug Type	Fixed Connection
Power Cord / Conduit Length (in)	Direct Wire at Junction Box

DIMENSIONS & WEIGHT

Overall Appliance Dimensions (Width of Canopy Included) (HxWxD) (in)	12 13/16" x 51 3/4" x 22"
Required Distance Above Cooktop / Range Cooking Surface	30" Electric / 30" Gas
Diameter of Air Duct (in.) Top	10"
Net Weight (lbs)	73 lbs

ACCESSORIES (REQUIRED)

Blower (Sold Separately)

BLOWER OPTIONS

Remote Blowers (Mounted to Roof or External Wall)	VTR630P - 600 CFM
	VTR1030P - 1000 CFM
	VTR1330P - 1300 CFM
Inline Blowers (Mounted Between Kitchen and External Wall)	VTI610P - 600 CFM
	VTI1010P - 1000 CFM
Integrated Blower (Mounted in Hood)	VTN630N - 600 CFM
	VTN1030N - 1000 CFM

WARRANTY

Limited Warranty Parts and Labor	2 Year
----------------------------------	--------

VCIN60RP

60-INCH CUSTOM INSERT

PROFESSIONAL SERIES



48-inch model VCIN48JP shown

FEATURES & BENEFITS

- Suitable for wall or island applications
- Three fan speeds
- Auto function senses heat from the cooking surface and adjusts fan speeds
- Built-in 'clean filter' reminder light illuminates after 40 hours of operation
- Delayed shut-off tackles lingering odors for up to 10 minutes

ACCESSORIES (OPTIONAL)

25 ft. Blower Connector Cable - EXTNCB25

For use with the following Inline and Remote Blowers: VTR630P, VTR1030P, VTR1330P, VTI610P, VTI1010P

Roofplates

RFPLT600P - For use with 600 CFM Remote Blower VTR630P

RFPLT1000P - For use with 1000 CFM Remote Blower VTR1030P and 1300 CFM Blower VTR1330P

8" Wall Cap	WC8
10" Wall Cap	WC10
3 1/4" x 10" Wall Cap	WC310
Roof Jack and Transition	RJ310

See page 224–225 for accessories.

AVAILABLE SUMMER 2016

GENERAL PROPERTIES

Operating Mode	Ducted
Number of Speed Settings	3-Stage
Motor Location	N/A
Number of Lights	4
Bulb Type	Halogen
Total Power of the Lamps (W)	40 W
Damper Included	Yes
Grease Filter Material	Washable Stainless Steel
Grease Filter Type	Stainless-Steel Commercial Style Baffle Filter

TECHNICAL DETAILS

Watts (W)	1,020 W
Current (A)	15 A
Volts (V)	120 V
Frequency (Hz)	60 Hz
Plug Type	Fixed Connection
Power Cord / Conduit Length (in)	Direct Wire at Junction Box

DIMENSIONS & WEIGHT

Overall Appliance Dimensions (Width Of Canopy Included) (HxWxD) (in)	12 7/8" x 56 1/4" x 20 5/8"
Required Distance Above Cooktop / Range Cooking Surface	30" Electric / 30" Gas
Diameter of Air Duct (in.) Top	10"
Net Weight (lbs)	81 lbs

ACCESSORIES (REQUIRED)

Blower (Sold Separately)

BLOWER OPTIONS

Remote Blowers (Mounted to Roof or External Wall)	VTR630P - 600 CFM
	VTR1030P - 1000 CFM
	VTR1330P - 1300 CFM
Inline Blowers (Mounted Between Kitchen and External Wall)	VTI610P - 600 CFM
	VTI1010P - 1000 CFM
Integrated Blower (Mounted in Hood)	VTN1090R - 1000 CFM

WARRANTY

Limited Warranty Parts and Labor	2 Year
----------------------------------	--------

VCIB36JP

36-INCH CUSTOM INSERT WITH BLOWER

PROFESSIONAL SERIES



FEATURES & BENEFITS

- A unique all in one box solution that includes the hood, a 1,000 CFM blower, liner, baffle filters, lights, transition and a back-draft damper
- Suitable for wall or island applications
- Three fan speeds with a delayed shut-off that tackles lingering odors for up to 10 minutes
- Auto function senses heat from the cooking surface and adjusts fan speeds
- Built-in 'clean filter' reminder light illuminates after 40 hours of operation

ACCESSORIES (OPTIONAL)

Custom Hood Installation Trim	TRIMS236
Remote Control Panel	VCI2REMKS
36" Wide Stainless Steel Backsplash	PA36JBS
8" Wall Cap	WC8
10" Wall Cap	WC10
3 1/4" x 10" Wall Cap	WC310
Roof Jack and Transition	RJ310



Remote Control Panel

See page 224–225 for accessories.

GENERAL PROPERTIES

Operating Mode	Ducted
Number of Speed Settings	3-Stage
Motor Location	Integrated Motor In Hood Body
Number of Lights	2
Bulb Type	Halogen
Total Power of the Lamps (W)	40 W
Damper Included	Yes
Grease Filter Material	Washable Stainless Steel
Grease Filter Type	Stainless-Steel Commercial Style Baffle Filter

TECHNICAL DETAILS

Watts (W)	1,020 W
Current (A)	15 A
Volts (V)	120 V
Frequency (Hz)	60 Hz
Plug Type	Fixed Connection
Power Cord / Conduit Length (in)	Direct Wire at Junction Box

DIMENSIONS & WEIGHT

Overall Appliance Dimensions (Width of Canopy Included) (HxWxD) (in)	14 5/16" x 40 1/2" x 24 3/4"
Required Distance Above Cooktop / Range Cooking Surface	30" Electric / 30" Gas
Diameter of Air Duct (in.) Top	10"
Net Weight (lbs)	86 lbs

BLOWER OPTIONS

Remote Blowers (Mounted to Roof or External Wall)	N/A
	N/A
	N/A
Inline Blowers (Mounted Between Kitchen and External Wall)	N/A
	N/A
Integrated Blower (Mounted in Hood)	N/A

WARRANTY

Limited Warranty Parts and Labor	2 Year
----------------------------------	--------

VCIB48JP

48-INCH CUSTOM INSERT WITH BLOWER

PROFESSIONAL SERIES



FEATURES & BENEFITS

- A unique all in one box solution that includes the hood, a 1,000 CFM blower, liner, baffle filters, lights, transition and a back-draft damper
- Suitable for wall or island applications
- Three fan speeds with a delayed shut-off that tackles lingering odors for up to 10 minutes
- Auto function senses heat from the cooking surface and adjusts fan speeds
- Built-in 'clean filter' reminder light illuminates after 40 hours of operation

ACCESSORIES (OPTIONAL)

Custom Hood Installation Trim	TRIMS248
Remote Control Panel	VCI2REMKS
48" Wide Stainless Steel Backsplash	PA48JBS
8" Wall Cap	WC8
10" Wall Cap	WC10
3 1/4" x 10" Wall Cap	WC310
Roof Jack and Transition	RJ310



Remote Control Panel

See page 224–225 for accessories.

GENERAL PROPERTIES

Operating Mode	Ducted
Number of Speed Settings	3-Stage
Motor Location	Integrated Motor In Hood Body
Number of Lights	4
Bulb Type	Halogen
Total Power of the Lamps (W)	40 W
Damper Included	Yes
Grease Filter Material	Washable Stainless Steel
Grease Filter Type	Stainless-Steel Commercial Style Baffle Filter

TECHNICAL DETAILS

Watts (W)	1,020 W
Current (A)	15 A
Volts (V)	120 V
Frequency (Hz)	60 Hz
Plug Type	Fixed Connection
Power Cord / Conduit Length (in)	Direct Wire at Junction Box

DIMENSIONS & WEIGHT

Overall Appliance Dimensions (Width of Canopy Included) (HxWxD) (in)	14 5/16" x 52 1/2" x 24 3/4"
Required Distance Above Cooktop / Range Cooking Surface	30" Electric / 30" Gas
Diameter of Air Duct (in.) Top	10"
Net Weight (lbs)	99 lbs

BLOWER OPTIONS

Remote Blowers (Mounted to Roof or External Wall)	N/A
	N/A
	N/A
Inline Blowers (Mounted Between Kitchen and External Wall)	N/A
	N/A
Integrated Blower (Mounted in Hood)	N/A

WARRANTY

Limited Warranty Parts and Labor	2 Year
----------------------------------	--------

VCIB54JP

54-INCH CUSTOM INSERT WITH BLOWER

PROFESSIONAL SERIES



48-inch model VCIB48JP shown



FEATURES & BENEFITS

- A unique all in one box solution that includes the hood, a 1,000 CFM blower, liner, baffle filters, lights, transition and a back-draft damper
- Suitable for wall or island applications
- Three fan speeds with a delayed shut-off that tackles lingering odors for up to 10 minutes
- Auto function senses heat from the cooking surface and adjusts fan speeds
- Built-in 'clean filter' reminder light illuminates after 40 hours of operation

ACCESSORIES (OPTIONAL)

Custom Hood Installation Trim	TRIMS254
Remote Control Panel	VCI2REMKS
8" Wall Cap	WC8
10" Wall Cap	WC10
3 1/4" x 10" Wall Cap	WC310
Roof Jack and Transition	RJ310



Remote Control Panel

See page 224–225 for accessories.

GENERAL PROPERTIES

Operating Mode	Ducted
Number of Speed Settings	3-Stage
Motor Location	Integrated Motor In Hood Body
Number of Lights	4
Bulb Type	Halogen
Total Power of the Lamps (W)	40 W
Damper Included	Yes
Grease Filter Material	Washable Stainless Steel
Grease Filter Type	Stainless-Steel Commercial Style Baffle Filter

TECHNICAL DETAILS

Watts (W)	1,020 W
Current (A)	15 A
Volts (V)	120 V
Frequency (Hz)	60 Hz
Plug Type	Fixed Connection
Power Cord / Conduit Length (in)	Direct Wire at Junction Box

DIMENSIONS & WEIGHT

Overall Appliance Dimensions (Width of Canopy Included) (HxWxD) (in)	14 5/16" x 58 1/2" x 24 3/4"
Required Distance Above Cooktop / Range Cooking Surface	30" Electric / 30" Gas
Diameter of Air Duct (in.) Top	10"
Net Weight (lbs)	109 lbs

BLOWER OPTIONS

Remote Blowers (Mounted to Roof or External Wall)	N/A
	N/A
	N/A
Inline Blowers (Mounted Between Kitchen and External Wall)	N/A
	N/A
Integrated Blower (Mounted in Hood)	N/A

WARRANTY

Limited Warranty Parts and Labor	2 Year
----------------------------------	--------

VCI230DS

30-INCH CUSTOM INSERT

MASTERPIECE® SERIES



FEATURES & BENEFITS

- Suitable for wall or island applications
- Three fan speeds
- Built-in 'clean filter' reminder light illuminates after 40 hours of operation
- Delayed shut-off tackles lingering odors for up to 10 minutes
- Powerfully quiet® ventilation systems

ACCESSORIES (OPTIONAL)

25 ft. Blower Connector Cable - EXTNCB25

For use with the following Inline and Remote Blowers: VTR630P, VTR1030P, VTR1330P, VTI610P, VTI1010P

Custom Hood Liner	LINER30
Remote Control Panel	VCI2REMFS
30" Baffle Filter	BAFFLT30
Roofplates	
RFPLT600P - For use with 600 CFM Remote Blower VTR630P	
RFPLT1000P - For use with 1000 CFM Remote Blower VTR1030P and 1300 CFM Blower VTR1330P	
8" Wall Cap	WC8
10" Wall Cap	WC10
3 1/4" x 10" Wall Cap	WC310
Roof Jack and Transition	RJ310



Remote Control Panel



Baffle Filters

See page 224–225 for accessories.

GENERAL PROPERTIES

Operating Mode	Ducted
Number of Speed Settings	3-Stage
Motor Location	N/A
Number of Lights	2
Bulb Type	Halogen
Total Power of the Lamps (W)	20 W
Damper Included	No
Grease Filter Material	Washable Synthetic
Grease Filter Type	Multilayer Cassette

TECHNICAL DETAILS

Watts (W)	40 W
Current (A)	15 A
Volts (V)	120 V
Frequency (Hz)	60 Hz
Plug Type	120V-3 Prong
Power Cord / Conduit Length (in)	51 1/8"

DIMENSIONS & WEIGHT

Overall Appliance Dimensions (Width of Canopy Included) (HxWxD) (in)	5 3/4" / 5 3/4" x 28" x 18 5/8"
Required Distance Above Cooktop / Range Cooking Surface	30" Electric / 30" Gas
Diameter of Air Duct (in.) Top	10"
Net Weight (lbs)	24 lbs

ACCESSORIES (REQUIRED)

Blower (Sold Separately)

BLOWER OPTIONS

Remote Blowers (Mounted to Roof or External Wall)	VTR630P - 600 CFM
	VTR1030P - 1000 CFM
	VTR1330P - 1300 CFM
Inline Blowers (Mounted Between Kitchen and External Wall)	VTI610P - 600 CFM
	VTI1010P - 1000 CFM
Integrated Blower (Mounted in Hood)	VTI1010P* - 1000 CFM

WARRANTY

Limited Warranty Parts and Labor	2 Year
----------------------------------	--------

*Inline blower can be used as an integrated solution. Refer to installation for details.

VC1236DS

36-INCH CUSTOM INSERT

MASTERPIECE® SERIES



FEATURES & BENEFITS

- Suitable for wall or island applications
- Three fan speeds
- Built-in 'clean filter' reminder light illuminates after 40 hours of operation
- Delayed shut-off tackles lingering odors for up to 10 minutes
- Powerfully quiet® ventilation systems

ACCESSORIES (OPTIONAL)

25 ft. Blower Connector Cable - EXTNCB25

For use with the following Inline and Remote Blowers: VTR630P, VTR1030P, VTR1330P, VTI610P, VTI1010P

Custom Hood Liner	LINER36
Remote Control Panel	VC12REMFS
36" Baffle Filter	BAFFLT36

Roofplates

RFPLT600P - For use with 600 CFM Remote Blower VTR630P

RFPLT1000P - For use with 1000 CFM Remote Blower VTR1030P and 1300 CFM Blower VTR1330P

8" Wall Cap	WC8
10" Wall Cap	WC10
3 1/4" x 10" Wall Cap	WC310
Roof Jack and Transition	RJ310



Remote Control Panel



Baffle Filters

See page 224–225 for accessories.

GENERAL PROPERTIES

Operating Mode	Ducted
Number of Speed Settings	3-Stage
Motor Location	N/A
Number of Lights	2
Bulb Type	Halogen
Total Power of the Lamps (W)	20 W
Damper Included	No
Grease Filter Material	Washable Synthetic
Grease Filter Type	Multilayer Cassette

TECHNICAL DETAILS

Watts (W)	40 W
Current (A)	15 A
Volts (V)	120 V
Frequency (Hz)	60 Hz
Plug Type	120V-3 Prong
Power Cord / Conduit Length (in)	51 1/8"

DIMENSIONS & WEIGHT

Overall Appliance Dimensions (Width of Canopy Included) (HxWxD) (in)	5 3/4" / 5 3/4" x 33 5/8" x 18 5/8"
Required Distance Above Cooktop / Range Cooking Surface	30" Electric / 30" Gas
Diameter of Air Duct (in.) Top	10"
Net Weight (lbs)	27 lbs

ACCESSORIES (REQUIRED)

Blower (Sold Separately)

BLOWER OPTIONS

Remote Blowers (Mounted to Roof or External Wall)	VTR630P - 600 CFM
	VTR1030P - 1000 CFM
	VTR1330P - 1300 CFM
Inline Blowers (Mounted Between Kitchen and External Wall)	VTI610P - 600 CFM
	VTI1010P - 1000 CFM
Integrated Blower (Mounted in Hood)	VTI1010P* - 1000 CFM

WARRANTY

Limited Warranty Parts and Labor	2 Year
----------------------------------	--------

*Inline blower can be used as an integrated solution. Refer to installation for details.

VCI248DS

48-INCH CUSTOM INSERT

MASTERPIECE® SERIES



FEATURES & BENEFITS

- Suitable for wall or island applications
- Three fan speeds
- Built-in 'clean filter' reminder light illuminates after 40 hours of operation
- Delayed shut-off tackles lingering odors for up to 10 minutes
- Powerfully quiet® ventilation systems

ACCESSORIES (OPTIONAL)

25 ft. Blower Connector Cable - EXTNCB25

For use with the following Inline and Remote Blowers: VTR630P, VTR1030P, VTR1330P, VTI610P, VTI1010P

Custom Hood Liner	LINER48
Remote Control Panel	VCI2REMFS
48" Baffle Filter	BAFFLT48
Roofplates	
RFPLT600P - For use with 600 CFM Remote Blower VTR630P	
RFPLT1000P - For use with 1000 CFM Remote Blower VTR1030P and 1300 CFM Blower VTR1330P	
8" Wall Cap	WC8
10" Wall Cap	WC10
3 1/4" x 10" Wall Cap	WC310
Roof Jack and Transition	RJ310



Remote Control Panel



Baffle Filters

See page 224–225 for accessories.

GENERAL PROPERTIES

Operating Mode	Ducted
Number of Speed Settings	3-Stage
Motor Location	N/A
Number of Lights	4
Bulb Type	Halogen
Total Power of the Lamps (W)	20 W
Damper Included	No
Grease Filter Material	Washable Synthetic
Grease Filter Type	Multilayer Cassette

TECHNICAL DETAILS

Watts (W)	80 W
Current (A)	15 A
Volts (V)	120 V
Frequency (Hz)	60 Hz
Plug Type	120V-3 Prong
Power Cord / Conduit Length (in)	51 1/8"

DIMENSIONS & WEIGHT

Overall Appliance Dimensions (Width of Canopy Included) (HxWxD) (in)	5 3/4" / 5 3/4" x 43 5/8" x 18 5/8"
Required Distance Above Cooktop / Range Cooking Surface	30" Electric / 30" Gas
Diameter of Air Duct (in.) Top	10"
Net Weight (lbs)	32 lbs

ACCESSORIES (REQUIRED)

Blower (Sold Separately)

BLOWER OPTIONS

Remote Blowers (Mounted to Roof or External Wall)	VTR630P - 600 CFM
	VTR1030P - 1000 CFM
	VTR1330P - 1300 CFM
Inline Blowers (Mounted Between Kitchen and External Wall)	VTI610P - 600 CFM
	VTI1010P - 1000 CFM
Integrated Blower (Mounted in Hood)	VTI1010P* - 1000 CFM

WARRANTY

Limited Warranty Parts and Labor	2 Year
----------------------------------	--------

*Inline blower can be used as an integrated solution. Refer to installation for details.

CUSTOM INSERTS

PLANNING INFORMATION

MODEL OPTIONS

Thermador Custom Hood Inserts are available for both professional and non-professional applications. The Professional Series Custom Hood Inserts are available in 36-inch, 48-inch, 54-inch and 60-inch widths. The Masterpiece® Series Custom Hood Inserts are available in 30-inch, 36-inch, and 48-inch widths.

ELECTRICAL SPECIFICATIONS

Be sure your Thermador Custom Insert is properly installed and grounded by a qualified technician. Installation, electrical connections and grounding must comply with all applicable local codes.

MODEL	REQUIRED CIRCUIT BREAKER
	120V AC, 60 Hz
VCIN36JP	15 A
VCIN48JP	15 A
VCIN54JP	15 A
VCIN60RP	15 A
VCIB36JP	15 A
VCIB48JP	15 A
VCIB54JP	15 A
VCI230DS	15 A
VCI236DS	15 A
VCI248DS	15 A

INSTALLATION CONSIDERATIONS

The information in this design guide provides key features, product dimensions and installation specifications. Before installing a Thermador Custom Hood Insert, be sure to verify the dimensions and electrical connections. Also, always consult with the installation manual packed with the product for complete details before installing.

INSTALLATION OPTIONS

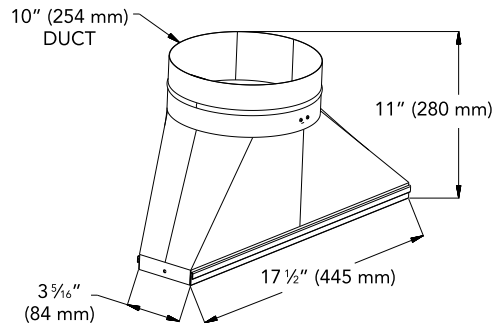
Thermador Custom Hood Inserts may be installed above a Thermador Range or Cooktop to create a convenient cooking center. Refer to the ventilation selection guide for compatibility.

Hood installation height above a range or cooktop can vary. To obtain the necessary installation height above a Thermador Range or Cooktop, consult the appliance's installation manual.

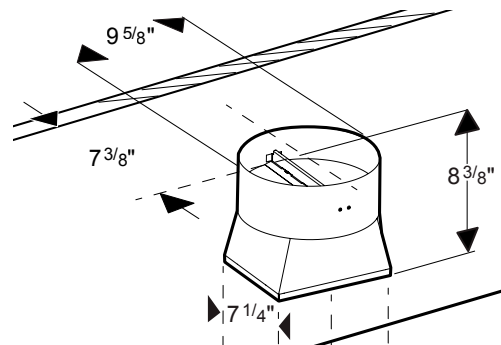
Thermador Custom Hood Inserts within custom hood applications create a seamless design with wall or island applications.

TRANSITIONS

- Included with VCIN__JP models (except 60") and VCIB__JP models
- 10" round downdraft transition
- Required for installation of 1000 and 1300 CFM inline and remote blowers

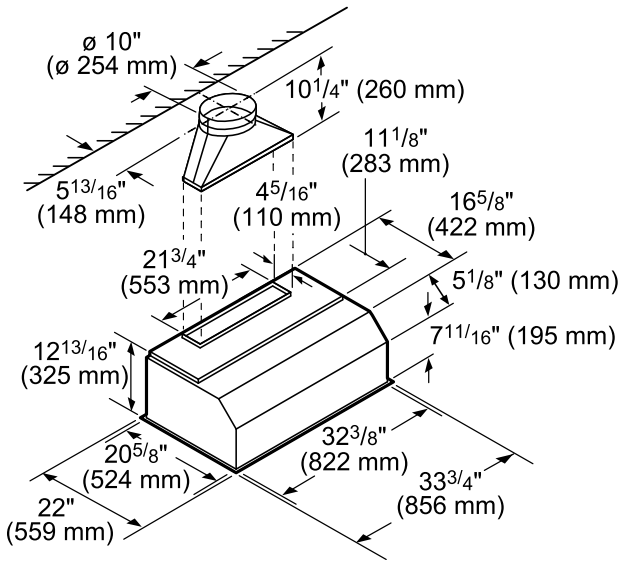


- Included with VCIN60RP

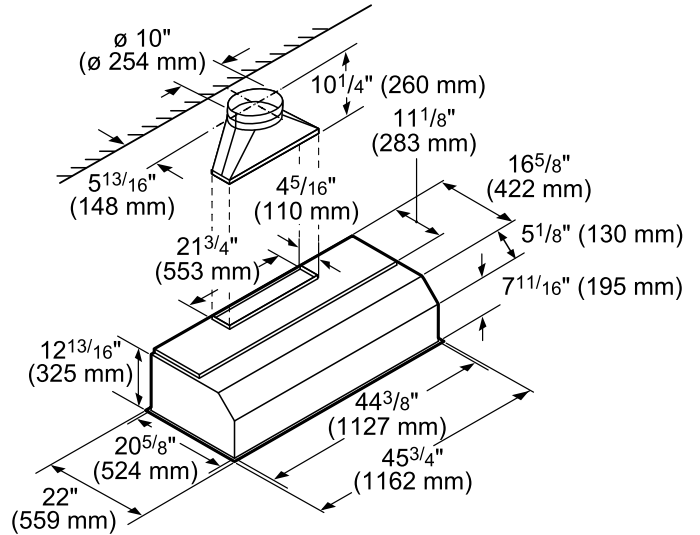


CUSTOM INSERTS INSTALLATION

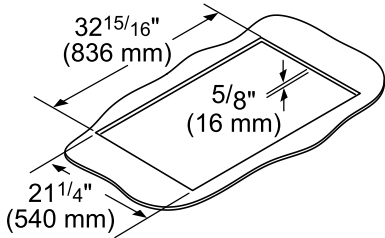
VCIN36JP 36-INCH CUSTOM INSERT



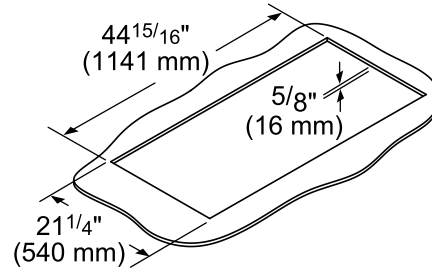
VCIN48JP 48-INCH CUSTOM INSERT



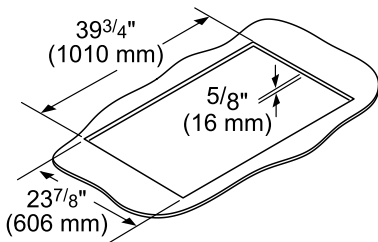
CUTOUT FOR INSERT WITHOUT LINER ACCESSORY



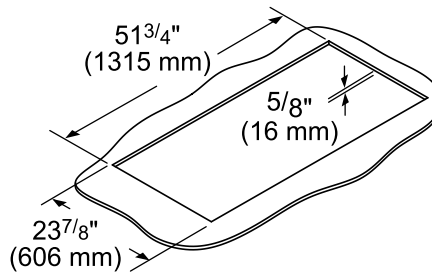
CUTOUT FOR INSERT WITHOUT LINER ACCESSORY



CUTOUT FOR INSERT WITH LINER ACCESSORY LINER236

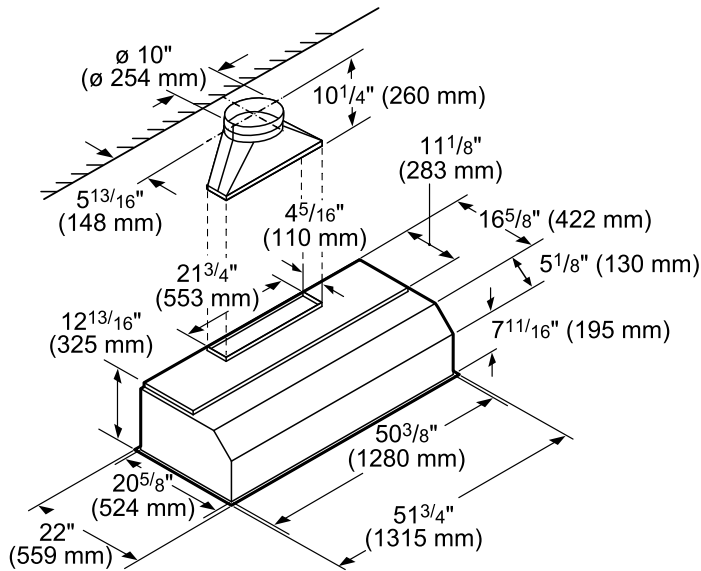


CUTOUT FOR INSERT WITH LINER ACCESSORY LINER248

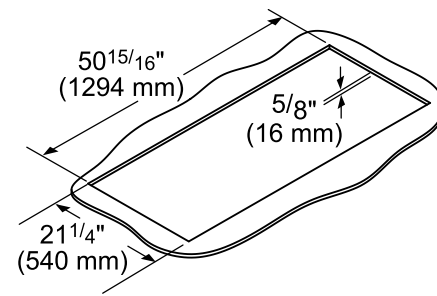


CUSTOM INSERTS INSTALLATION

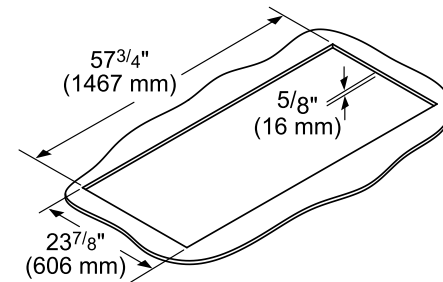
VCIN54JP 54-INCH CUSTOM INSERT



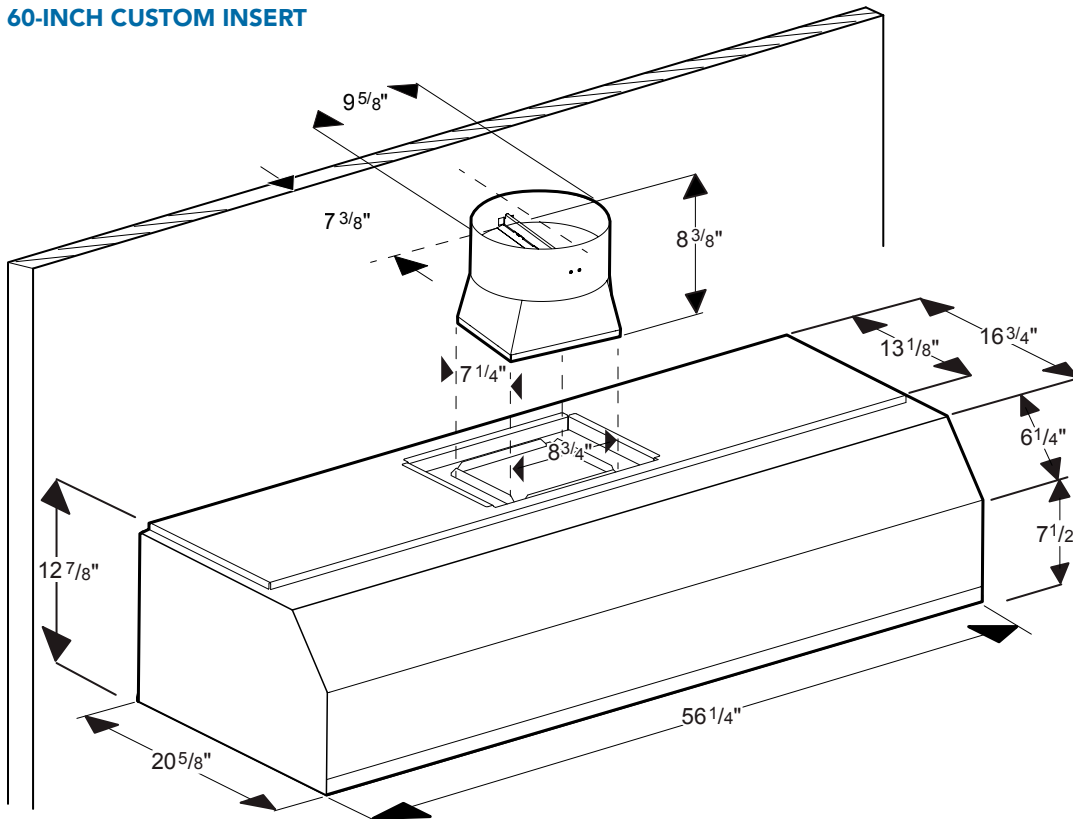
CUTOUT FOR 54-INCH CUSTOM INSERT WITHOUT LINER ACCESSORY



CUTOUT FOR 54-INCH CUSTOM INSERT WITH LINER ACCESSORY LINER254



VCIN60RP 60-INCH CUSTOM INSERT



CUTOUT FOR 60-INCH CUSTOM INSERT WITHOUT LINER ACCESSORY

AND

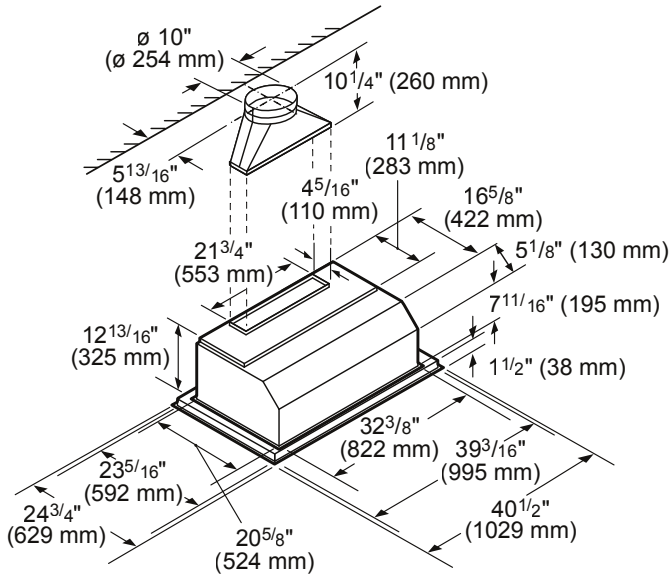
CUTOUT FOR 60-INCH CUSTOM INSERT WITH LINER ACCESSORY

**COMING
SOON**

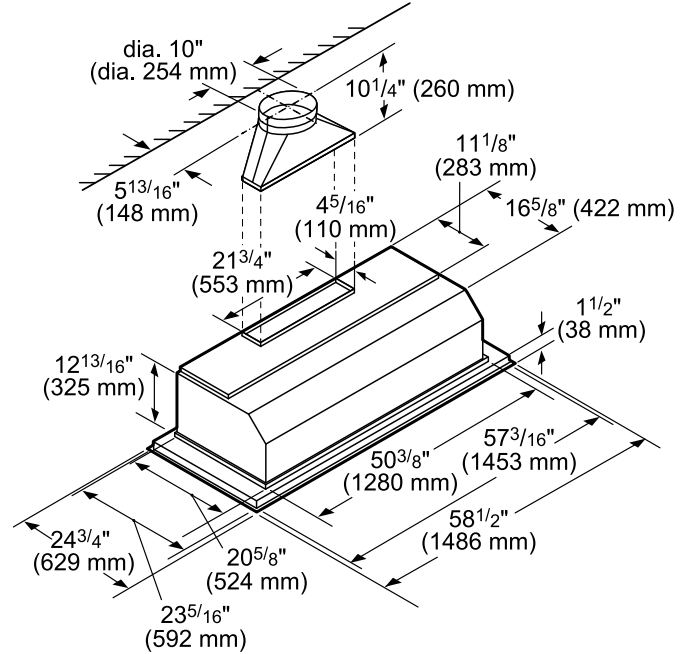
Go to
Thermador.com
for the latest
specifications

CUSTOM INSERTS INSTALLATION

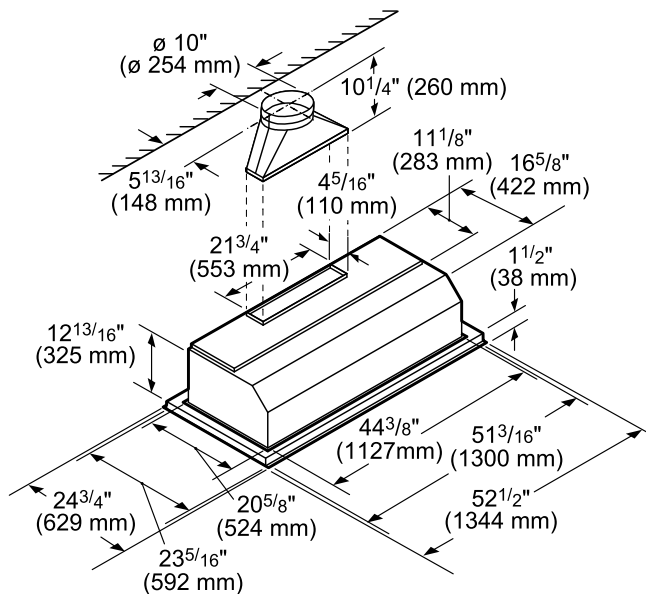
VCIB36JP
36-INCH CUSTOM INSERT WITH BLOWER



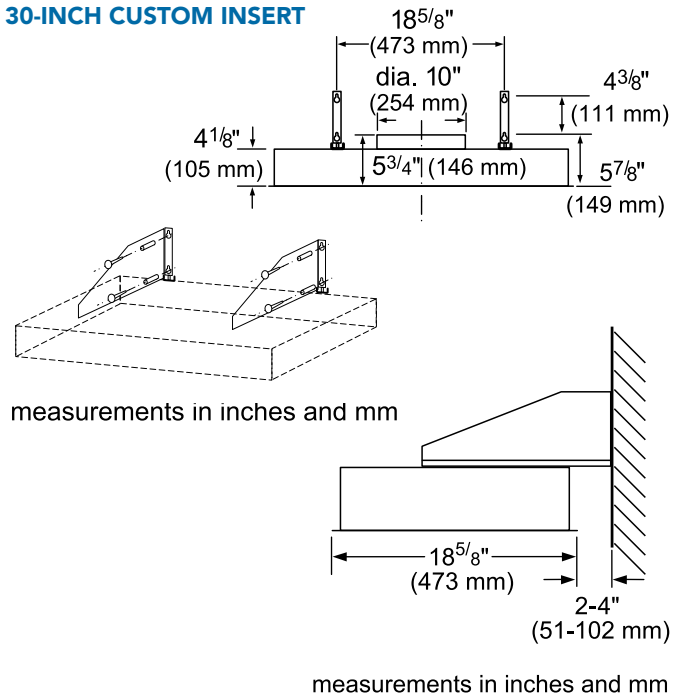
VCIB54JP
54-INCH CUSTOM INSERT WITH BLOWER



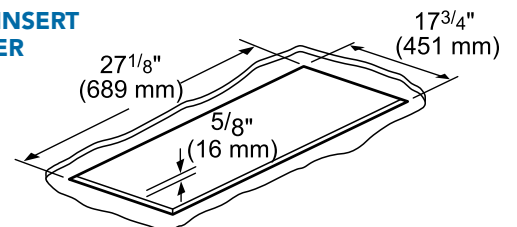
VCIB48JP
48-INCH CUSTOM INSERT WITH BLOWER



VCI230DS
30-INCH CUSTOM INSERT

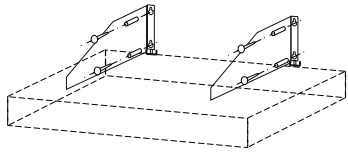
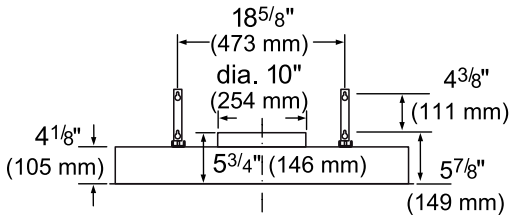


**CUTOUT FOR INSERT
WITHOUT LINER
ACCESSORY**

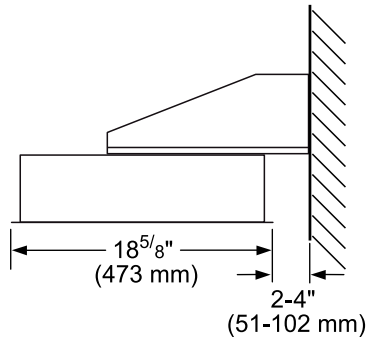


CUSTOM INSERTS INSTALLATION

VCI236DS 36-INCH CUSTOM INSERT

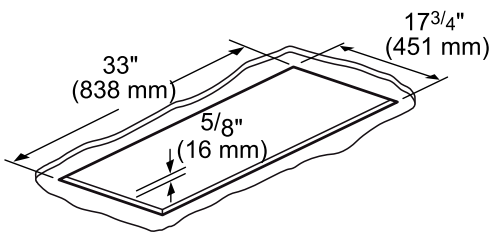


measurements in inches and mm

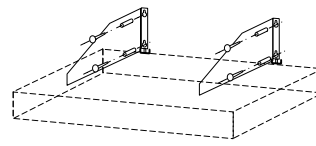
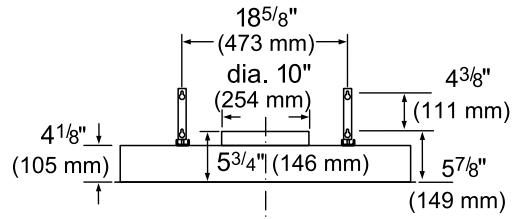


measurements in inches and mm

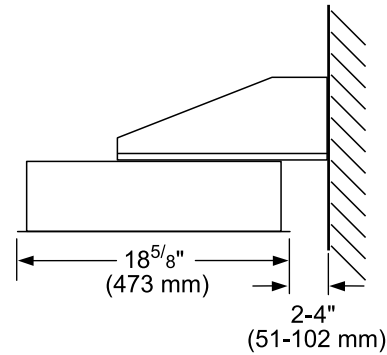
CUTOUT FOR INSERT WITHOUT LINER ACCESSORY



VCI248DS 48-INCH CUSTOM INSERT

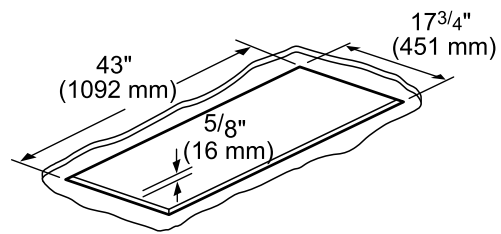


measurements in inches and mm



measurements in inches and mm

CUTOUT FOR INSERT WITHOUT LINER ACCESSORY





VENTILATION DOWNDRAFT





DOWNDRAFT VENTILATION

If you prefer a clean, contemporary design, choose a Thermador® Downdraft Ventilation Unit, which offers space efficiency as well as a concealed look versus an exposed hood. The full-face filter combines a filter with a splatter shield in one easy-to-remove, dishwasher-safe element. Thermador invented the first retractable downdraft, and was also the first to introduce.

FULL 13-INCH RISE

With an over 13-inch intake, the UCVM rises well above even the tallest pans. This protects against splatters when cooking and provides better performance in capturing steam and smoke—even from the front burners.

DOWNDRAFT RECIRCULATION OPTION

Downdraft recirculation is now available for island or wall applications. Combine the performance of the UCVM Downdraft with the odor- and grease-capturing filters in the Recirculation Module for the perfect ventilation combination for anywhere in your kitchen.

FULL-FACE FILTERS

Full-face filters combine a filter with a splatter shield in one easy-to-remove, dishwasher-safe element. These filters maximize grease capture without affecting airflow.

HALOGEN LIGHTS

Bright halogen lighting spotlights your best recipes.



UCVM30FS

30-INCH DOWNDRAFT VENTILATION

MASTERPIECE® SERIES



FEATURES & BENEFITS

- Suitable for wall or island applications
- Downdraft rises over 13" to capture steam from the tallest pots
- Downdraft recirculation possible with module RECIRC36DF
- Three fan speeds
- Dishwasher-safe full-face filters also act as a splatter shield

ACCESSORIES (OPTIONAL)

25 ft. Blower Connector Cable

EXTNCB25 - For use with the following Inline and Remote Blowers: VTR630P, VTR1030P, VTR1330P, VTI610P, VTI1010P

Recirculation Kit

RECIRC36DF - Includes 2 charcoal filters, 2 venting grids, and ducting to transition to Integrated Blower (blower sold separately)

Roofplates

RFPLT600P - For use with Remote Blower VTR630P

RFPLT1000P - For use with 1000 CFM Remote Blower VTR1030P and 1300 CFM Blower VTR1330P

Replacement Charcoal Filters

Service Item #291108

See page 223 for accessories.

GENERAL PROPERTIES

Operating Mode	Convertible: Ducted / Recirculating
Maximum CFM	Blower Sold Separately
Number of Speed Settings	3-Stage
Motor Location	External
Damper Included	No
Grease Filter Material	Washable Synthetic
Grease Filter Type	Multilayer Cassette

TECHNICAL DETAILS

Current (A)	10 A
Volts (V)	120 V
Frequency (Hz)	60 Hz
Plug Type	120V-3 prong
Power Cord Length (in)	57"

DIMENSIONS & WEIGHT

Overall Appliance Dimensions (Width of Canopy Included) (HxWxD) (in)	34 1/2" x 30 7/8" x 3 3/4"
Height of the Rise (in.)	13"
Diameter of Air Duct (in.) Back	10"
Net Weight (lbs)	37 lbs

ACCESSORIES (REQUIRED)

Blower (Sold Separately)

BLOWERS AND TRANSITIONS

Remote Blowers

VTR630P - 600 CFM (Requires Transition CV2T6)

VTR1030P - 1000 CFM (Requires Transition CV2T10)

Inline Blowers

VTI610P - 600 CFM (Requires Transition CV2T6)

VTI1010P - 1000 CFM (Requires Transition CV2T10)

Integrated Blower

VTN600CV2C - 600 CFM

Remote and Inline Blower Downdraft Transitions

CV2T6 - Required for installation of 600 CFM Inline and Remote Blowers with 6" duct connections

CV2T10 - Required for installation of 1000 CFM Inline and Remote Blowers with 10" duct connections

WARRANTY

Limited Warranty Parts and Labor	2 Year
----------------------------------	--------

UCVM36FS

36-INCH DOWNDRAFT VENTILATION

MASTERPIECE® SERIES



FEATURES & BENEFITS

- Suitable for wall or island applications
- Downdraft rises over 13" to capture steam from the tallest pots
- Downdraft recirculation possible with module RECIRC36DF
- Three fan speeds
- Dishwasher-safe full-face filters also act as a splatter shield

ACCESSORIES (OPTIONAL)

25 ft. Blower Connector Cable

EXTNCB25 - For use with the following Inline and Remote Blowers: VTR630P, VTR1030P, VTR1330P, VTI610P, VTI1010P

Recirculation Kit

RECIRC36DF - Includes 2 charcoal filters, 2 venting grids, and ducting to transition to Integrated Blower (blower sold separately)

Roofplates

RFPLT600P - For use with Remote Blower VTR630P

RFPLT1000P - For use with 1000 CFM Remote Blower VTR1030P and 1300 CFM Blower VTR1330P

Replacement Charcoal Filters

Service Item #291108

See page 223 for accessories.

GENERAL PROPERTIES

Operating Mode	Convertible: Ducted / Recirculating
Maximum CFM	Blower Sold Separately
Number of Speed Settings	3-Stage
Motor Location	External
Damper Included	No
Grease Filter Material	Washable Synthetic
Grease Filter Type	Multilayer Cassette

TECHNICAL DETAILS

Current (A)	10 A
Volts (V)	120 V
Frequency (Hz)	60Hz
Plug Type	120V-3 prong
Power Cord Length (in)	57"

DIMENSIONS & WEIGHT

Overall Appliance Dimensions (Width of Canopy Included) (HxWxD) (in)	34 1/2" x 36 7/8" x 3 3/4"
Height of the Rise (in.)	13"
Diameter of Air Duct (in.) Back	10"
Net Weight (lbs)	42 lbs

ACCESSORIES (REQUIRED)

Blower (Sold Separately)

BLOWERS AND TRANSITIONS

Remote Blowers

VTR630P - 600 CFM (Requires Transition CV2T6)

VTR1030P - 1000 CFM (Requires Transition CV2T10)

Inline Blowers

VTI610P - 600 CFM (Requires Transition CV2T6)

VTI1010P - 1000 CFM (Requires Transition CV2T10)

Integrated Blower

VTN600CV2C - 600 CFM

Remote and Inline Blower Downdraft Transitions

CV2T6 - Required for installation of 600 CFM Inline and Remote Blowers with 6" duct connections

CV2T10 - Required for installation of 1000 CFM Inline and Remote Blowers with 10" duct connections

WARRANTY

Limited Warranty Parts and Labor	2 Year
----------------------------------	--------

DOWNDRAFT PLANNING INFORMATION

MODEL OPTIONS

Thermador Downdraft Hoods are available in 30 and 36-inch widths to fit your kitchen plans and are meticulously crafted for both function and design. Be sure to reference the correct model information in this design guide.

ELECTRICAL SPECIFICATIONS

Be sure your Thermador Downdraft Hood is properly installed and grounded by a qualified technician. Installation, electrical connections and grounding must comply with all applicable local codes.

MODEL	REQUIRED CIRCUIT BREAKER
	120V AC, 60 Hz
UCVM30FS	10 A
UCVM36FS	10 A

INSTALLATION CONSIDERATIONS

The information in this design guide provides key features, product dimensions, cutouts and installation specifications. Before installing a Thermador Downdraft Hood, be sure to verify the cutout dimensions and electrical connections. Also, always consult with the installation manual packed with the product for complete details before installing.

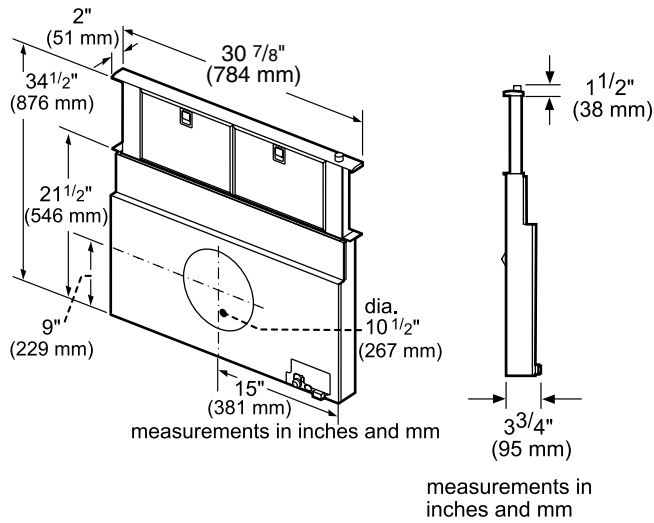
INSTALLATION OPTIONS

The Thermador Downdraft Hood System is available in 30-inch or 36-inch widths. It is intended for installation with Thermador non-professional gas, electric or induction cooktops only.

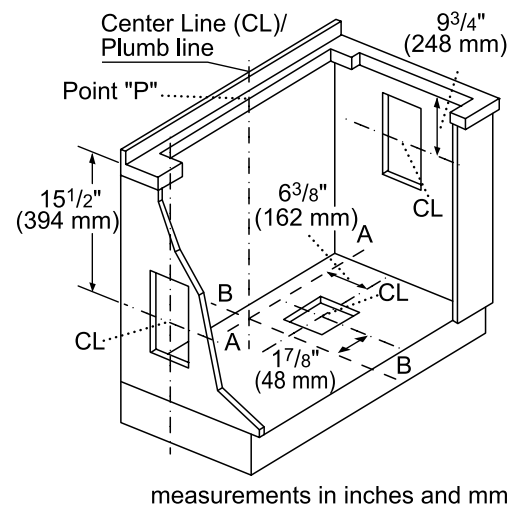
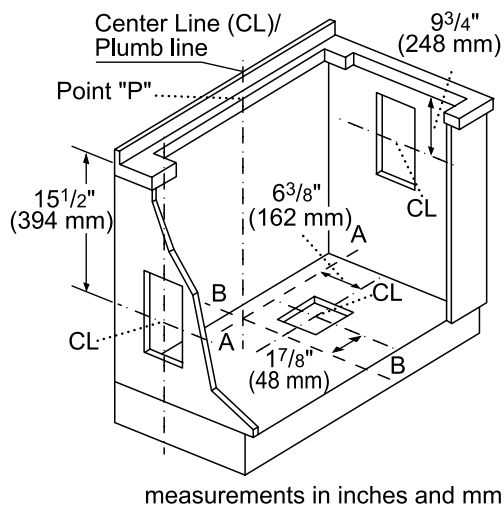
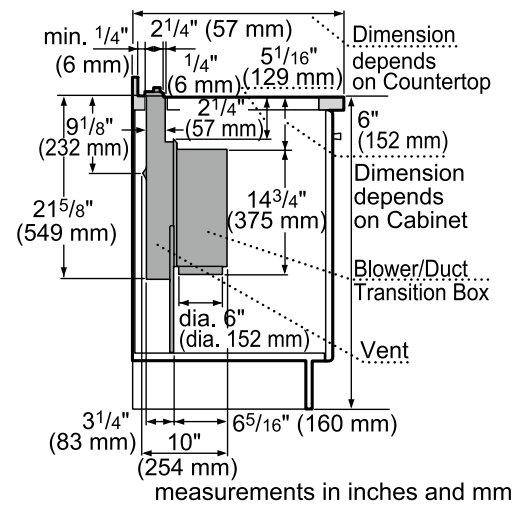
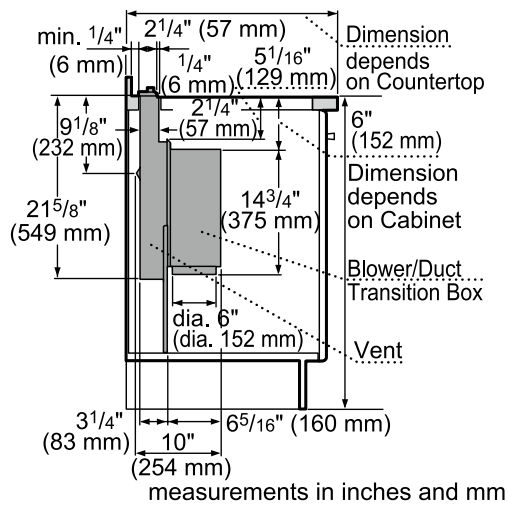
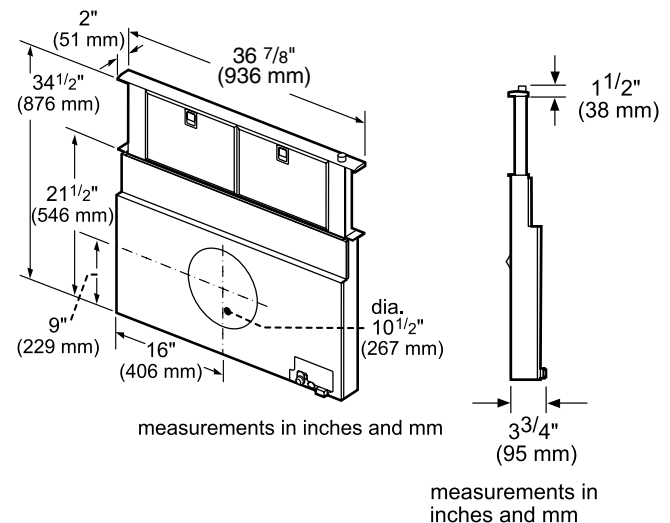
Thermador Downdraft Hoods may be installed in a wall or island behind a Thermador non-professional gas, electric or induction cooktop to create a convenient cooking center. Refer to the ventilation selection guide for compatibility.

DOWNDRAFT INSTALLATION

UCVM30FS 30-INCH DOWNDRAFT VENTILATION

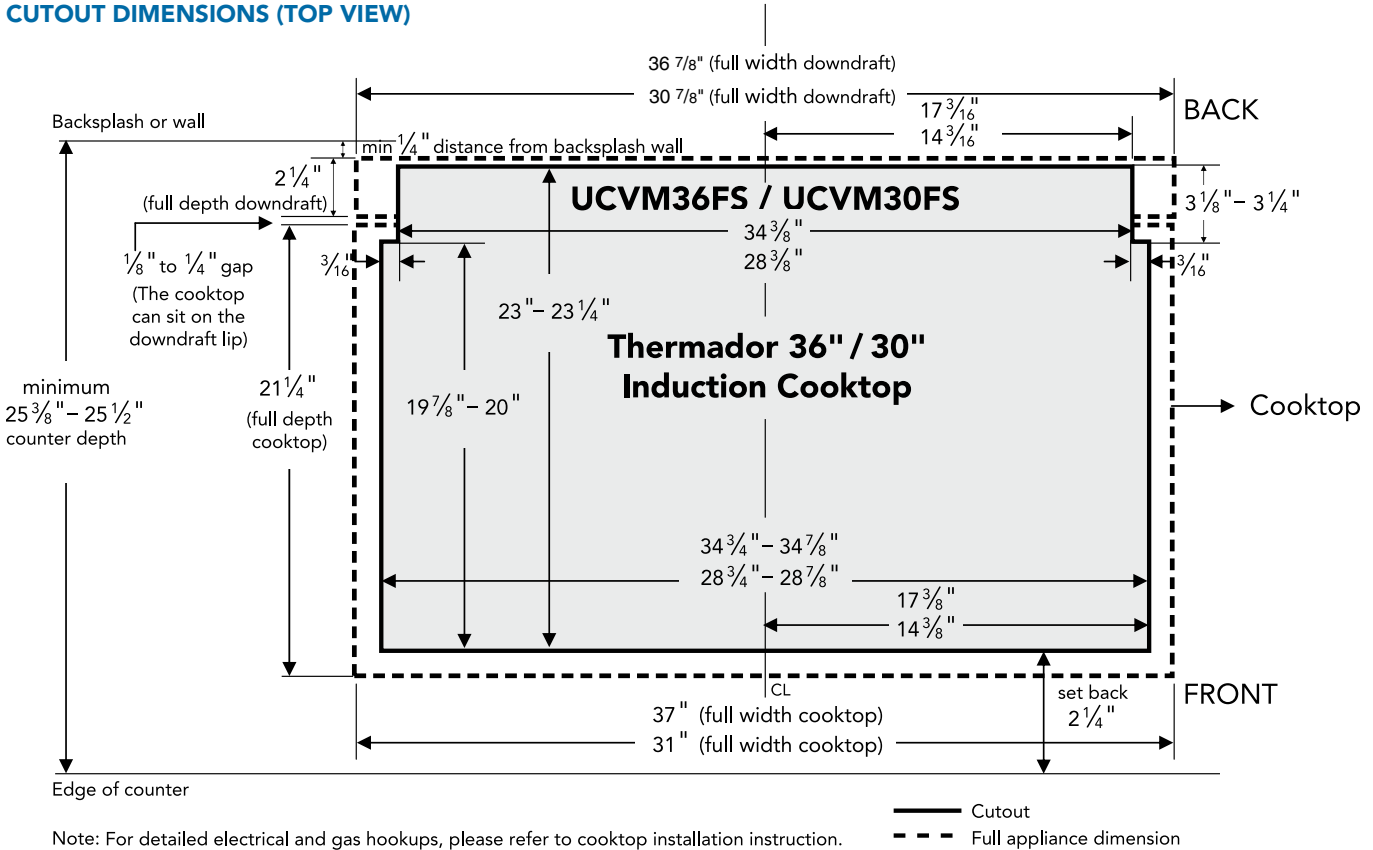


UCVM36FS 36-INCH DOWNDRAFT VENTILATION

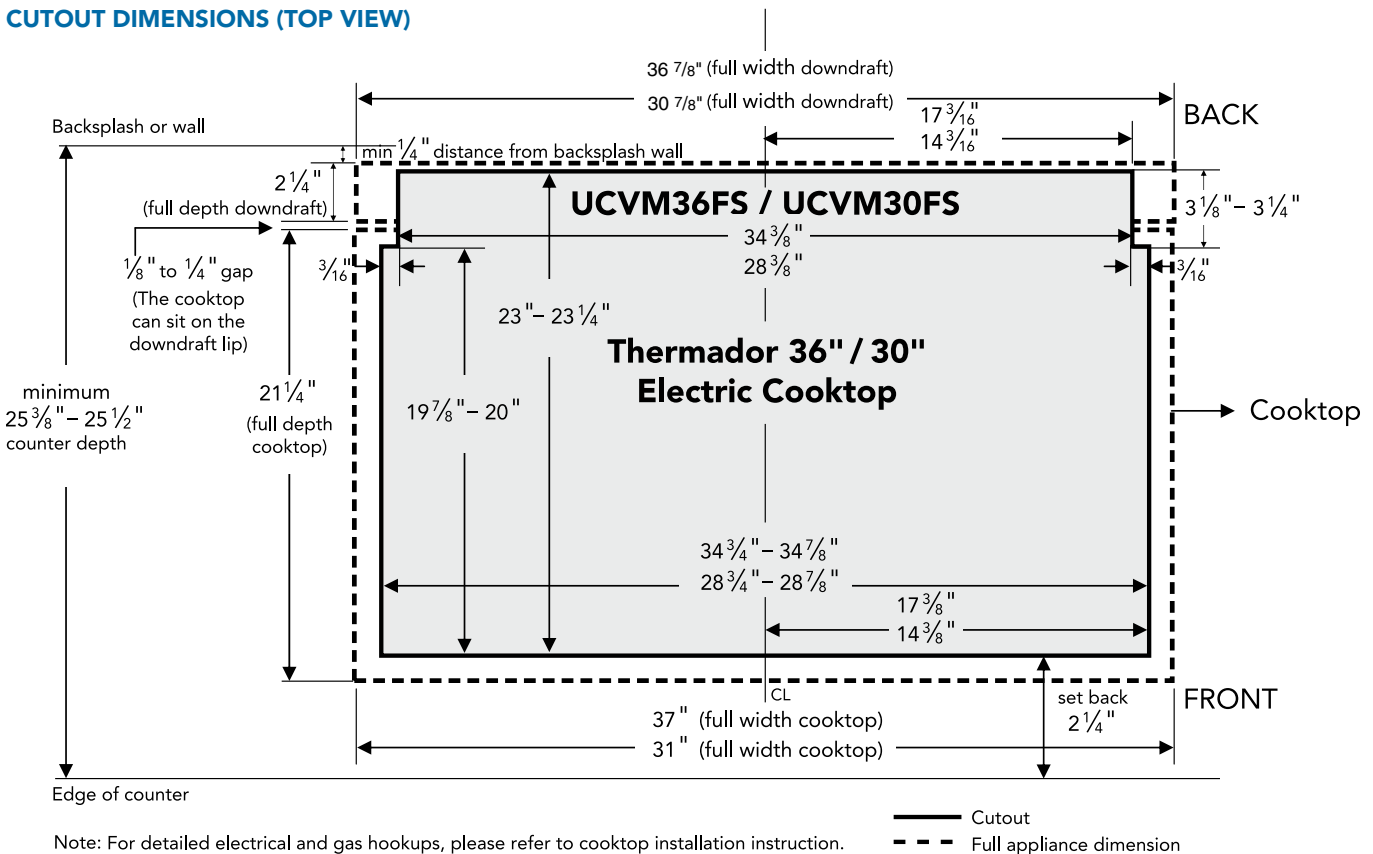


DOWNDRAFT INSTALLATION

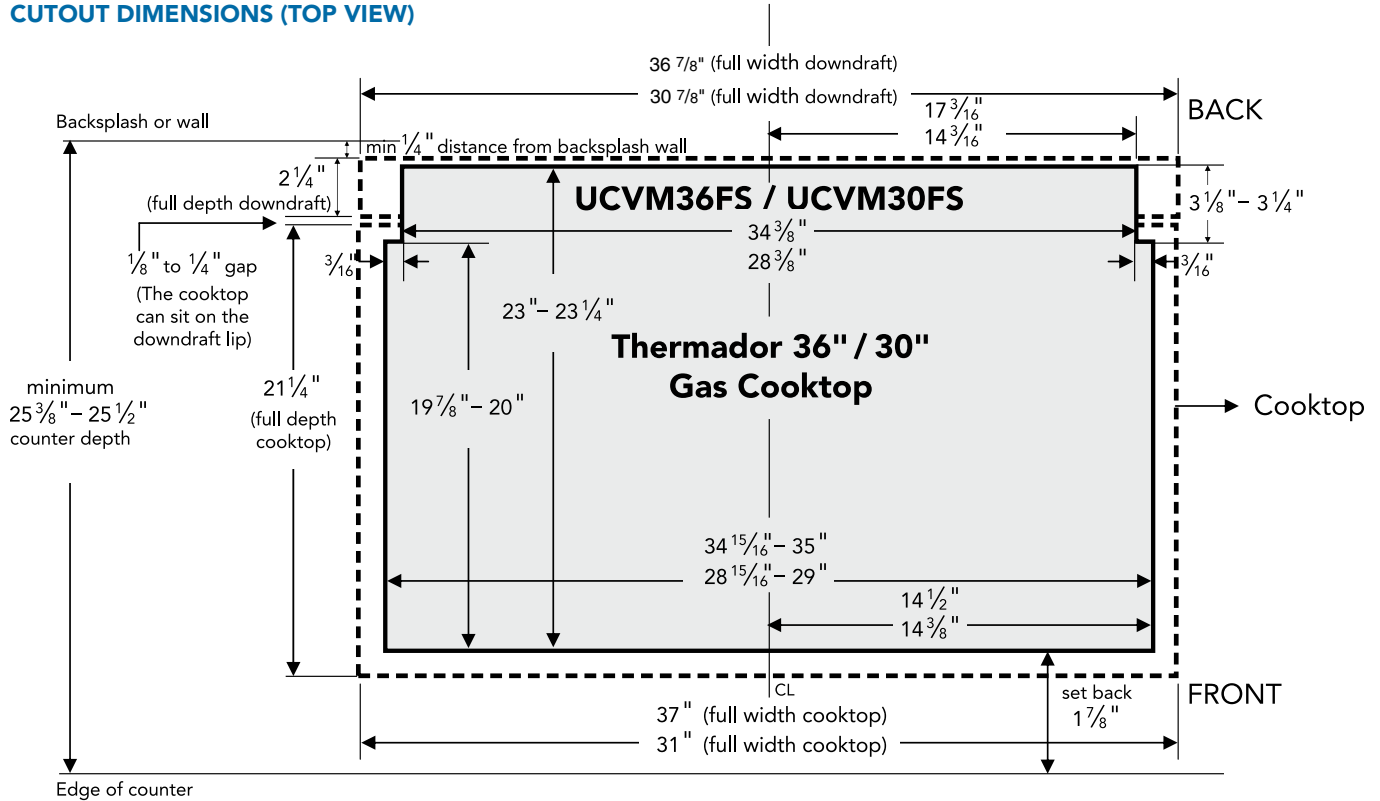
CUTOUT DIMENSIONS (TOP VIEW)



CUTOUT DIMENSIONS (TOP VIEW)



CUTOUT DIMENSIONS (TOP VIEW)



— Cutout
- - - Full appliance dimension






Note: For detailed electrical and gas hookups, please refer to cooktop installation instruction.

EXPERIENCE THERMADOR®

Thermador is committed to giving you an enjoyable, creative and rewarding cooking experience. Whether you would like to research our products, watch a video of our chef searing the perfect scallop, or have questions on the use and care of your product, simply browse our online resource library at thermador.com.



CONNECT WITH US

-  thermador.com/blog
-  pinterest.com/thermador
-  instagram.com/thermadorhome
-  facebook.com
-  youtube.com/thermadorhome
-  twitter.com/thermador

VISIT THE ABOVE SITES TO SHARE PHOTOS OF YOUR NEW KITCHEN AND CREATIVE DISHES.

TAKE US WITH YOU

Visit the App Store™ or Google Play™ to download our Innovations app, including the Thermador Kitchen Ideas & Lookbook and the Thermador Kitchen Design and Planning Guide.



CUSTOMER SERVICE

For dedicated customer service on any Thermador product, please call: 1-800-735-4328 or contact us at thermador.com

PRODUCT WARRANTY

PROFESSIONAL RANGES

Limited warranty, entire appliance, parts and labor (2 year)

PROFESSIONAL RANGETOPS

Limited warranty, entire appliance, parts and labor (2 year)

BUILT-IN OVENS

Limited warranty parts and labor (2 year)

INDUCTION COOKTOPS

Limited warranty, entire appliance, parts and labor (2 year)

Limited warranty for glass ceramic surface/electronic elements and switches; parts only (3rd to 5th year)

GAS COOKTOPS

Limited warranty, entire appliance, parts and labor (2 year)

ELECTRIC COOKTOPS

Limited warranty, entire appliance, parts and labor (2 year)

Limited warranty for glass ceramic surface/electronic elements and switches; parts only (3rd to 5th year)

VENTILATION

Limited warranty, entire appliance, parts and labor (2 year)

WARMING DRAWERS

Limited warranty, entire appliance, parts and labor (2 year)

BUILT-IN MICROWAVES

Limited warranty, entire appliance, parts and labor (2 year)

REFRIGERATION

Limited two-year warranty, entire appliance, parts and labor on any part of the refrigerator that fails because of a manufacturing defect

Limited warranty for sealed refrigeration system*; parts and labor (3rd to 6th year)

Limited warranty for sealed refrigeration system*; parts only (7th to 12th year)

*Sealed refrigeration system includes compressor, evaporator, condenser, dryer/strainer and connection tubing

DISHWASHERS

Full warranty, entire appliance, parts and labor (2 year)

Limited warranty for microprocessor or printed circuit board; parts only (3rd to 5th year)

Limited warranty for racks (does not include rack components); parts only (3rd to 5th year)

Limited warranty for rust-through on inner tub liner; parts only (Lifetime)

BUILT-IN COFFEE MACHINES

Limited warranty, entire appliance, parts and labor (2 year)



These warranties give you specific legal rights and you may have other rights that vary from state to state. Limited Warranty from Date of Purchase. For complete warranty details, refer to your Use & Care manual, or ask your dealer.

Specifications are for planning purposes only. Refer to installation instructions and consult your countertop supplier prior to making counter opening. Consult with a heating and ventilation engineer for your specific ventilation requirements. For the most detailed information, refer to installation instructions accompanying product or write to Thermador® indicating the model number. Specifications are correct at time of printing. Thermador reserves the right to change product specifications or design without notice. Some models are certified for use in Canada. Thermador is not responsible for products that are transported from the U.S. for use in Canada.

©2015 BSH Home Appliances Corporation.



Thermador★

1 800 735 4328

USA THERMADOR.COM
CANADA THERMADOR.CA

©2015 BSH HOME APPLIANCES CORPORATION. ALL RIGHTS RESERVED.
#13-THD-0250 MG 10/15