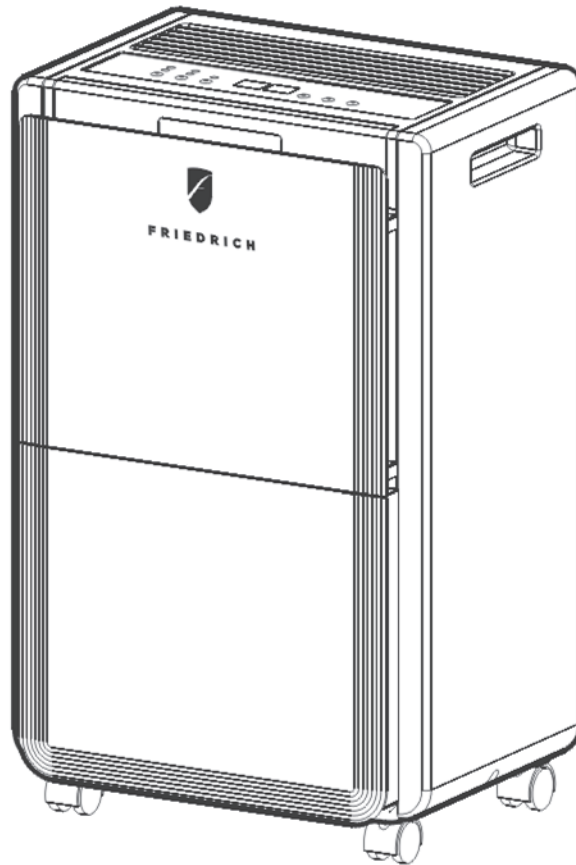




# F R I E D R I C H

## Dehumidifier

**D25ANP, D50AP, D70BP**



### Models

---

D25ANP	Volts: 115/60Hz	Capacity: 25 Pints	Moisture Removal: 25 Pint/Day
--------	-----------------	--------------------	-------------------------------

---

D50AP	Volts: 115/60Hz	Capacity: 50 Pints	Moisture Removal: 50 Pint/Day
-------	-----------------	--------------------	-------------------------------

---

D70BP	Volts: 115/60Hz	Capacity: 70 Pints	Moisture Removal: 70 Pint/Day
-------	-----------------	--------------------	-------------------------------

---

---

## **Congratulations!**

Thank you for your decision to purchase the Friedrich Dehumidifier. Please read thoroughly of this Installation and Operation Manual.

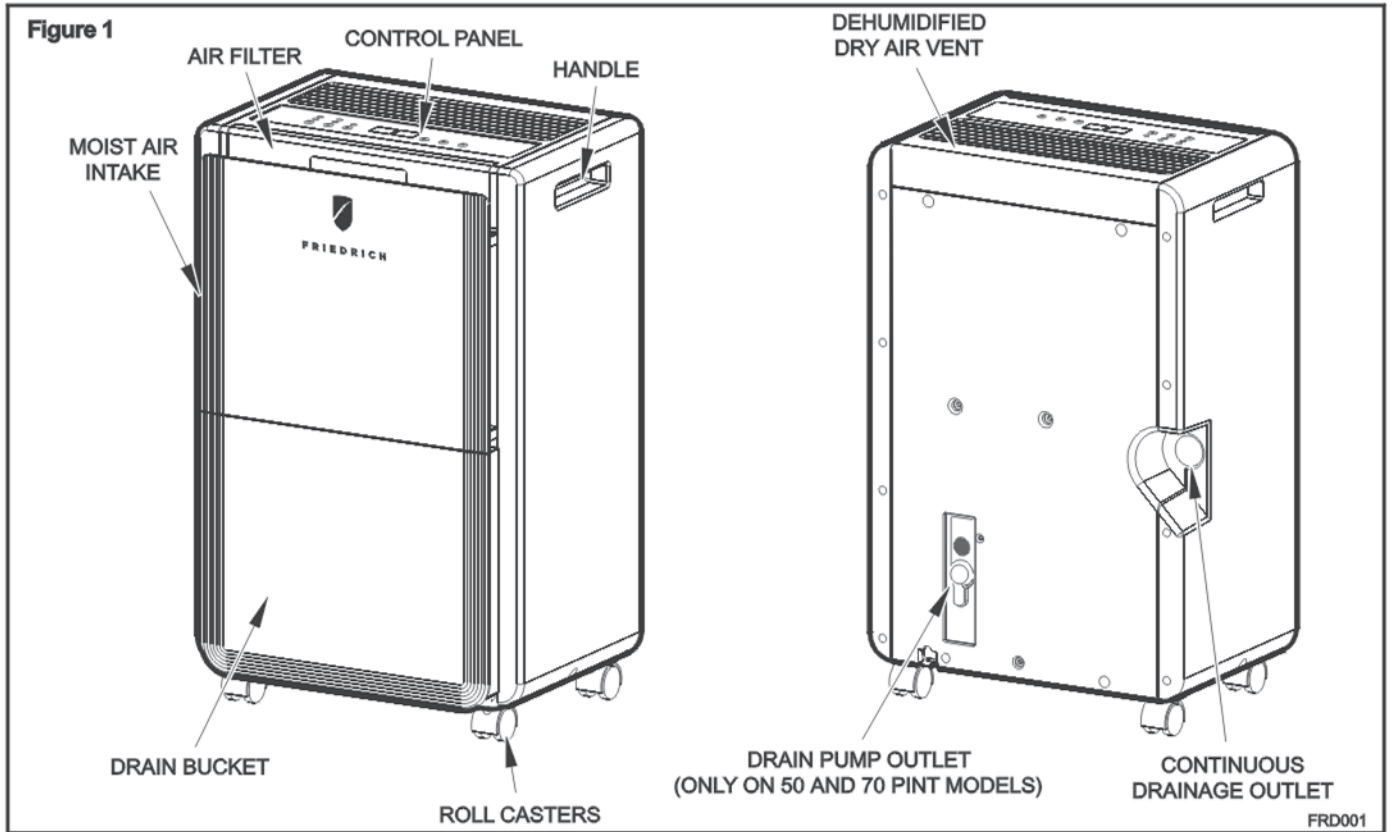
**THANK YOU, on behalf of our entire company,  
for making such a wise purchase.**

### **Table of Contents**

DESCRIPTION OF COMPONENTS .....	3
FUNCTION EXPLANATION .....	3
INSTALLATION INSTRUCTIONS.....	4
OPERATION INSTRUCTIONS.....	4
OPERATING DO'S AND DON'TS .....	6
CONTINUOUS DRAINAGE.....	8
MAINTENANCE.....	10
IN CASE OF EMERGENCY.....	11

# DESCRIPTION OF COMPONENTS

Figure 1



FRD001

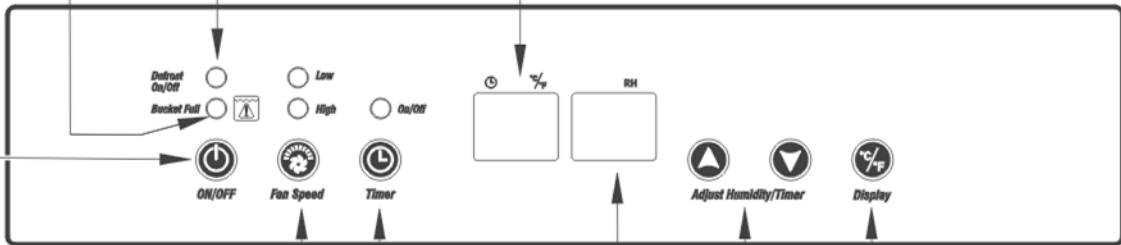
# FUNCTION EXPLANATION

Figure 2

**BUCKET FULL LAMP**  
LAMP LIGHTS WHEN DRAIN BUCKET IS FULL AND NEEDS TO BE EMPTIED.

**DEFROST LAMP**  
LAMP LIGHTS WHEN UNIT IS DEFROSTING (SEE PAGE 5).

**CURRENT TEMP / TIMER SET DISPLAY**  
WHEN THE UNIT IS RUNNING THE CURRENT TEMP IS DISPLAYED. WHEN THE **TIMER** BUTTON IS PRESSED THIS WINDOW DISPLAYS THE TIMER SETTING THEN REVERTS BACK TO THE TEMPERATURE AFTER 10 SECONDS.



**POWER ON/OFF**

**FAN SPEED HIGH/LOW**

**TIMERS**  
WHEN THE UNIT IS ON PRESS THE **TIMER** BUTTON TO DISPLAY THE POWER OFF TIMER. SELECT FROM 1-24 HOURS OF RUNNING TIME UNTIL THE UNIT SHUTS OFF AUTOMATICALLY. WHEN THE UNIT IS OFF PRESS THE **TIMER** BUTTON TO DISPLAY THE POWER ON TIMER. SELECT FROM 1-24 HOURS UNTIL THE UNIT WILL TURN ON AUTOMATICALLY.

**CURRENT HUMIDITY DISPLAY**  
DISPLAYS THE CURRENT RELATIVE HUMIDITY (RH) IN THE ROOM. WHEN THE **▲** OR **▼** IS PRESSED THE HUMIDITY SETTING IS DISPLAYED.

**°C/°F SELECTOR**  
PRESS THE °C/°F SWITCH BUTTONS IT WILL SWITCH BETWEEN °C AND °F.

**SET HUMIDITY**  
ADJUST THE HUMIDITY % FROM 30% TO 90% RH BY PRESSING THE **▲** OR **▼** BUTTONS. HUMIDITY IS ADJUSTED IN 5% INCREMENTS.

FRD002

## INSTALLATION INSTRUCTIONS

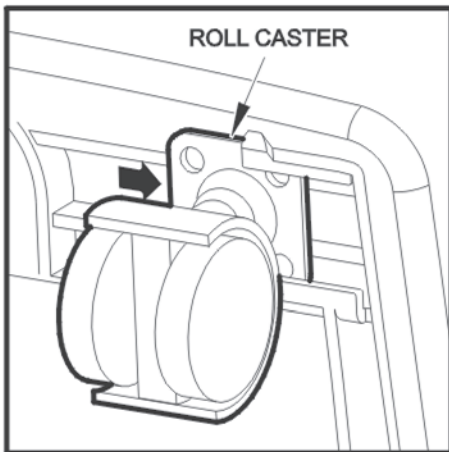
Follow the steps below for unpacking and set up your unit.

- STEP 1.** Remove unit from carton and inspect.
- STEP 2.** Remove accessories from drain bucket.
- STEP 3.** Install Roll Casters (D25ANP model only) per installation instructions below.
- STEP 4.** Set up unit in position with adequate clearance. Installation of unit is complete.

### Roll Caster Installation (D25ANP Model only)

- STEP 1.** Locate Roll Casters removed during STEP 2 above.
- STEP 2.** Lay unit on its side for ease of installation.
- STEP 3.** Insert Roll Casters in slots as shown (See Figure 3) until they click into place.

Figure 3



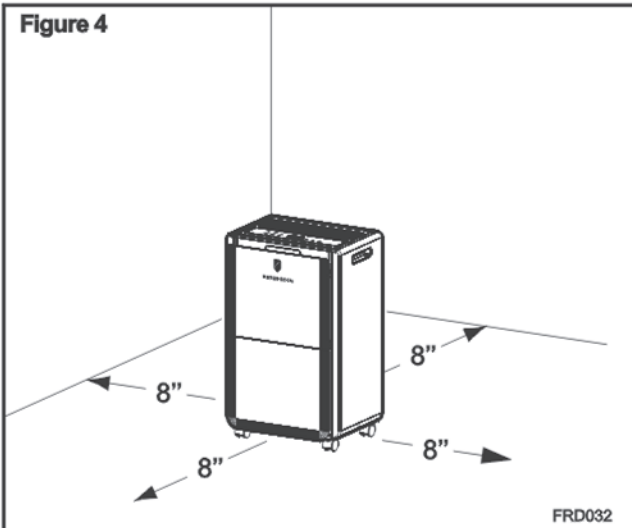
FRD031

**STEP 4.** Set the unit upright. Roll Caster installation is complete.

**STEP 5.** Allow unit to sit upright 1 hour before operating.

Allow 8 inches of space on all sides of the unit.

Figure 4

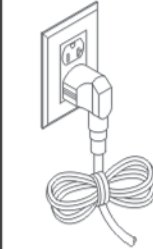


FRD032

## OPERATION INSTRUCTIONS

### ⚠ WARNING

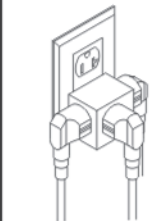
#### Electrical Hazards



Do not fold power cord as shown at left.



Make sure the plug is placed fully and firmly into the receptacle.



Do not use multiple sockets as shown at left.



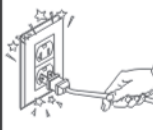
Make sure the plug is clean.



After turning the unit off please take plug out of the receptacle.



Do not have wet hands when connecting the power plug.




Do not pull the power cord to avoid a broken cord, which can lead to danger.

## Start Operation

**STEP 1.** Place the unit in an upright position on a flat, steady, stable and heat resistant surface. Make sure there is nothing flammable or heat sensitive within 39 inches. Operating the product in any other position could cause a hazard.

**⚠ WARNING**



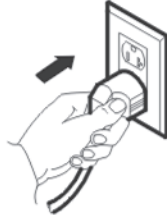
**Electrical Shock Hazard**

Make sure your electrical receptacle has the same configuration as your dehumidifier's plug. If different, consult a Licensed Electrician.

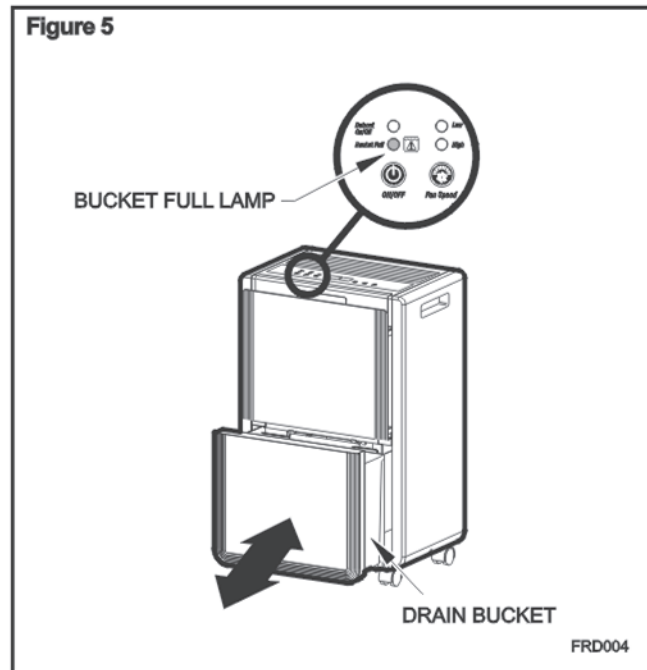
Do not use plug adapters.  
Do not use an extension cord.  
Do not remove ground prong.

Always plug into a grounded 3 prong outlet.  
Failure to follow these instructions can result in death, fire, or electrical shock.

**STEP 2.** Insert the plug into a suitable wall socket. The dehumidifier is suitable for operation on an electricity supply having the same voltage as that shown on its rating label.

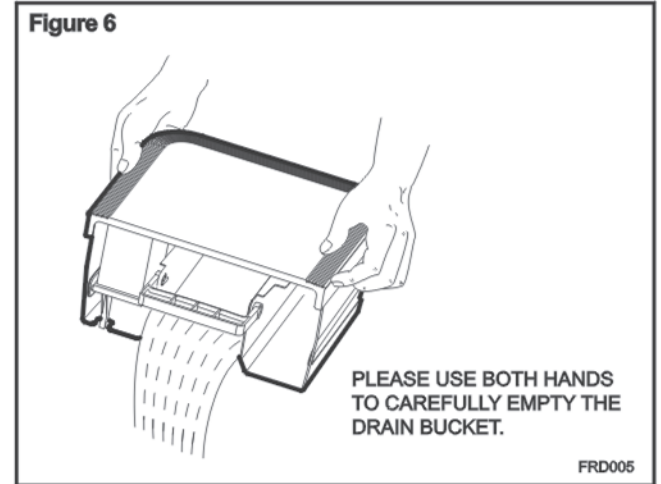


**STEP 3.** Make sure the **Drain Bucket** is correctly placed in the proper position (See Figure 5). (After switching the unit 'ON' for the first time, if the **Bucket Full** lamp illuminates, just pull out the drain bucket; check to ensure that the **float lever** is able to move freely, then return the drain bucket to the correct position).



## When Bucket Full Lamp Is On

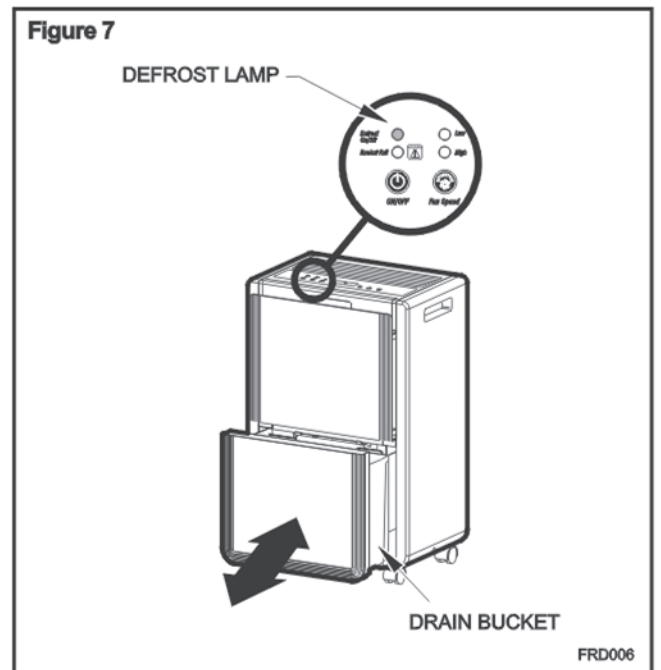
When the drain bucket is full, the **Bucket Full** lamp will illuminate and the unit will stop operating. The drain bucket should be carefully removed from the unit by sliding it outwards (See Figure 6) and should be emptied. Then place the empty drain bucket back to its proper position, (See Figure 7) the unit will start operating and run normally.



## Defrost

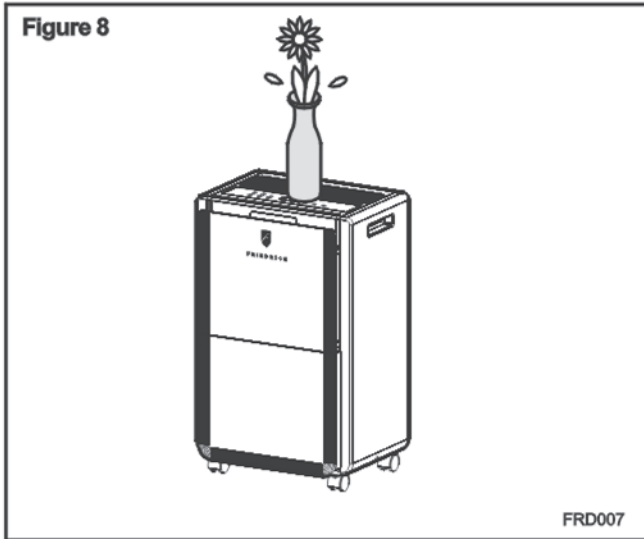
When the unit is operated in low temperatures (less than 54 °F) the surface of the evaporator will accumulate a layer of frost which will reduce the efficiency of the dehumidifier. When this happens the unit will go into periodic defrost mode automatically. The **Defrost Lamp** will illuminate on control panel, this is quite normal (See Figure 7).

The dehumidifier will operate in temperatures down to 41 °F. The time it takes to defrost may vary. If the unit freezes up it should be turned off at the power supply for a few hours and then re-started. If the room temperature remains below 41 °F the unit should be switched off. It is not recommended to use the dehumidifier in temperatures below 41 °F.

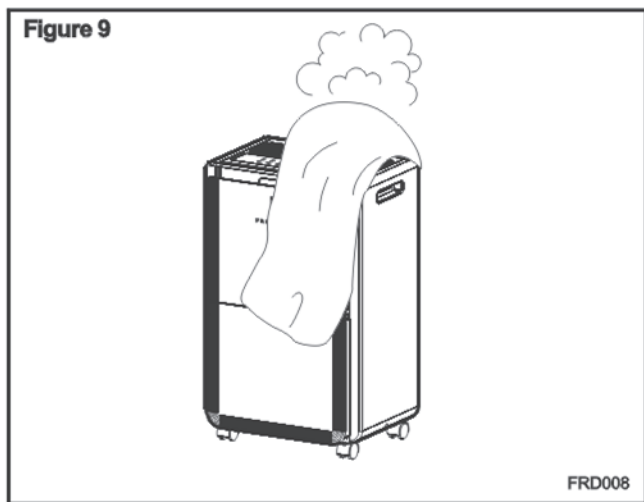


## OPERATING DO'S AND DON'TS

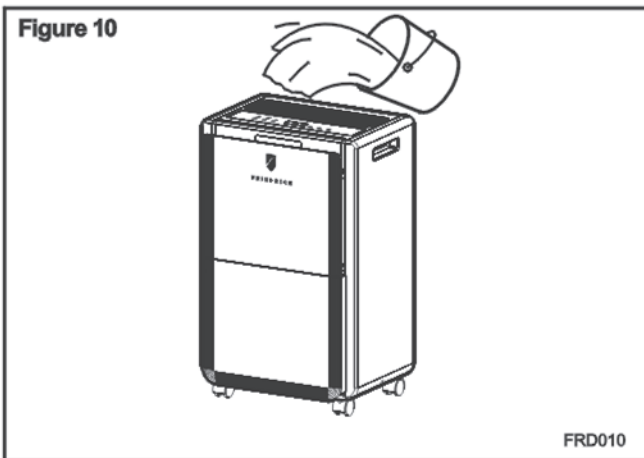
Do not place anything on top of the unit or control panel (See Figure 8).



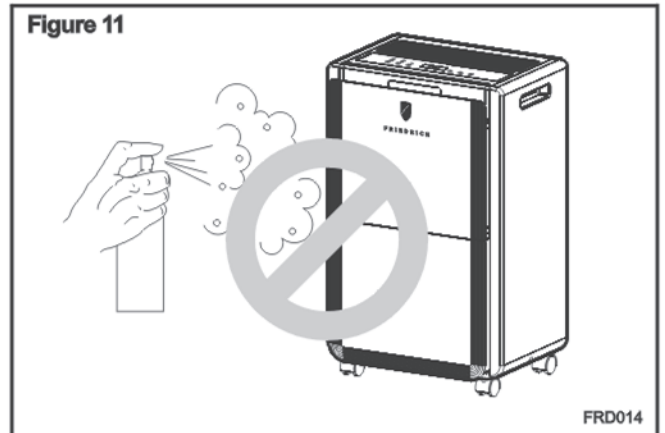
Do not place anything over the inlet or outlet points (See Figure 9).



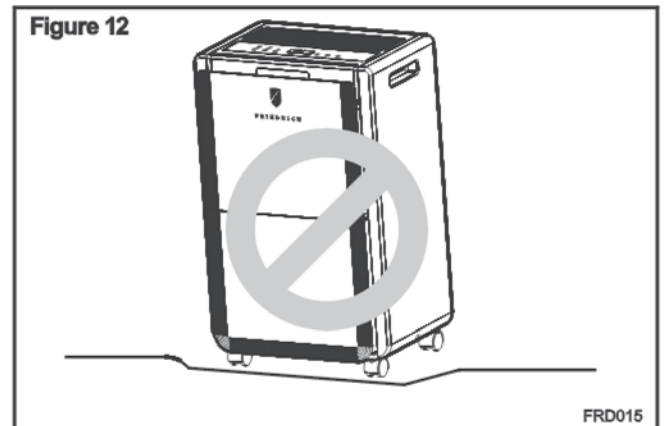
Do not wet the unit or the control panel (See Figure 10).



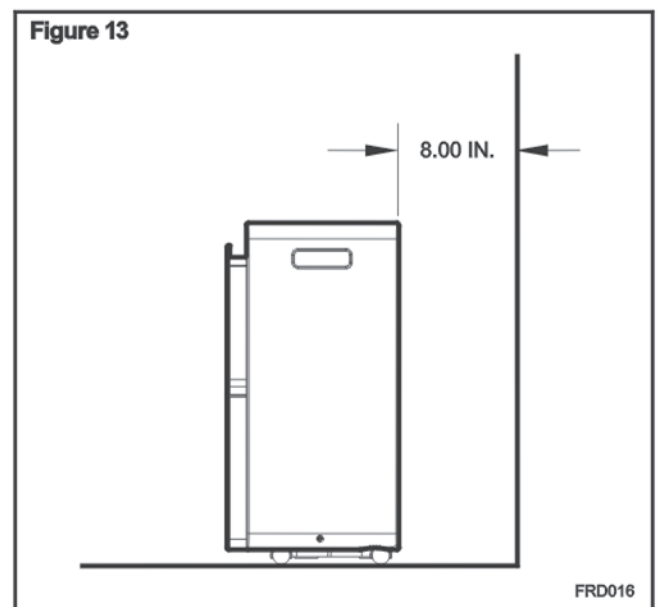
Do not use insect, oil or paint spray around the unit (See Figure 11), it might cause damage to the plastic parts or start a fire.



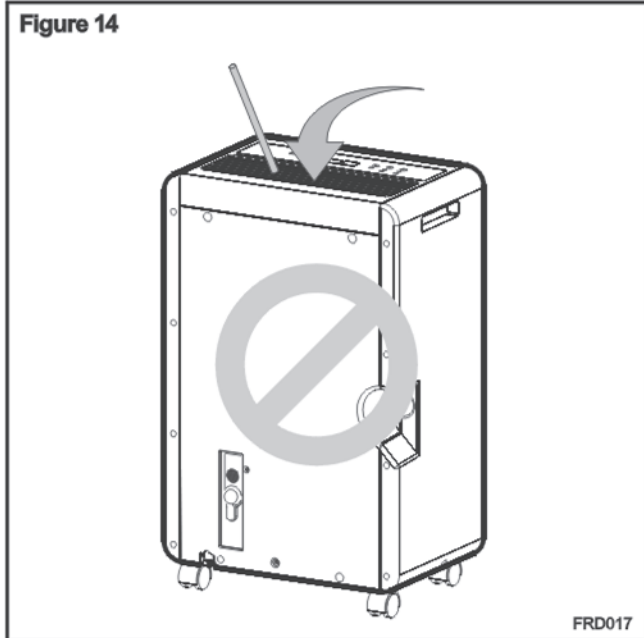
Do not place the unit on an uneven surface (See Figure 12), to avoid shaking, noise and leakage of water.



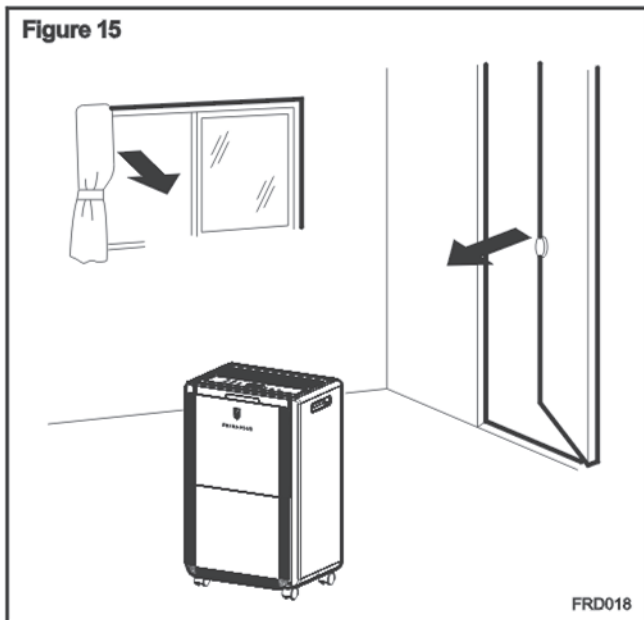
Do always keep the unit 8 in. away from the wall (See Figure 13) to dissipate the heat properly.



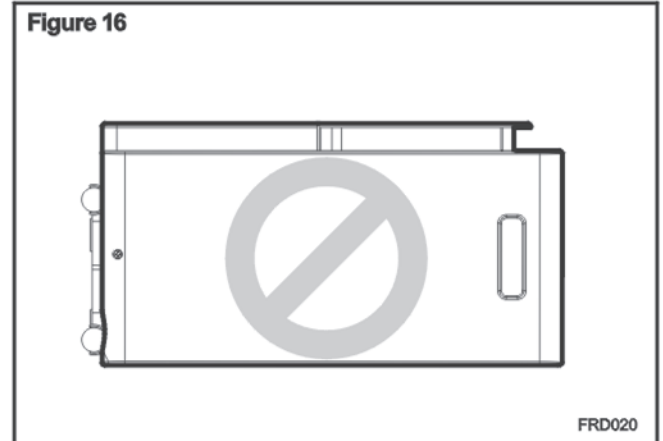
Do not put any foreign objects into the unit, it is dangerous and will result in damage to the unit (See Figure 14).



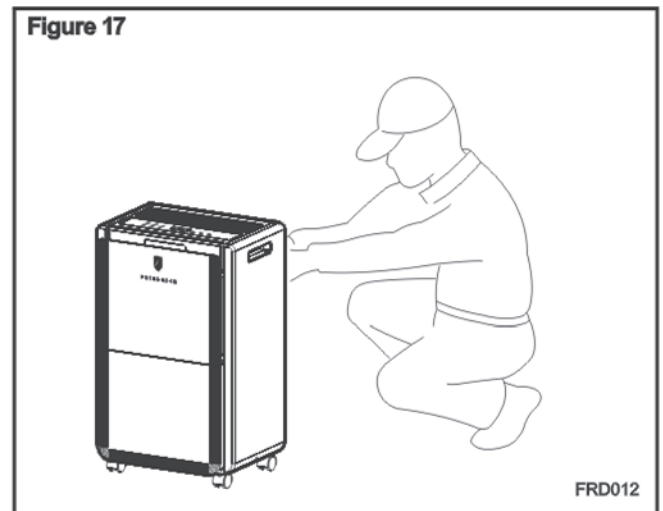
Do close all open windows to reach the maximum possible efficiency of dehumidifier removing moisture (See Figure 15).



When moving or putting unit in storage, do not place the unit on its side or upside down and avoid violent shaking (See Figure 16).

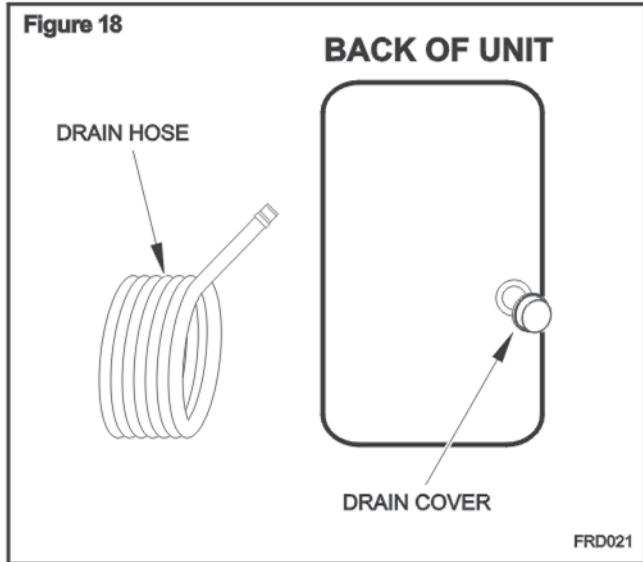


Do ask professional service technicians to service the unit as required (See Figure 17).

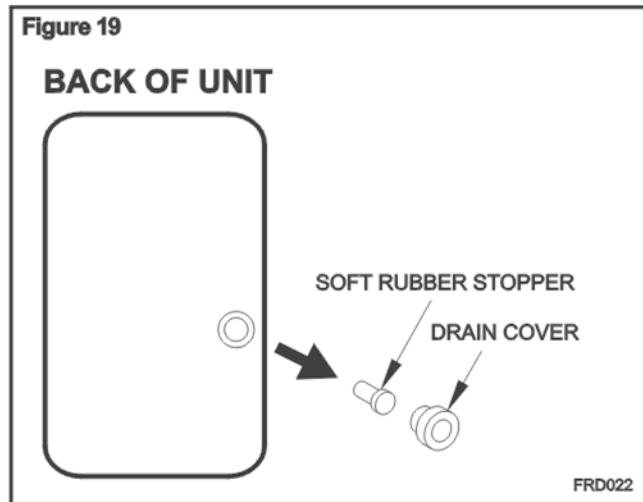


# CONTINUOUS DRAINAGE (D25ANP model only)

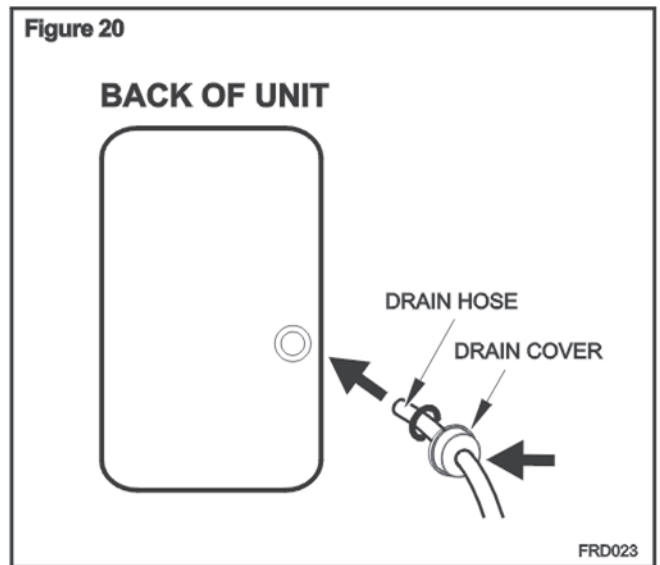
To save having to periodically empty the drain bucket, this unit can be configured for continuous drainage. You can use the supplied drain hose to connect to the continuous drainage connector (See Figure 18).



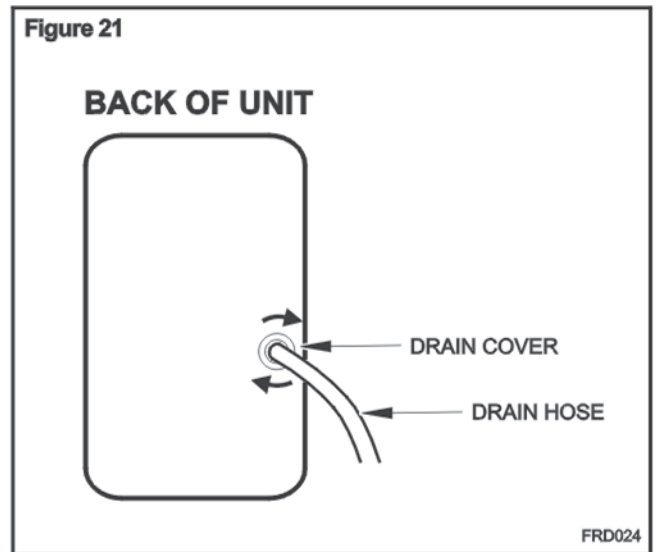
Unscrew and remove the drain cover at the rear of the unit (See Figure 19). Remove the soft rubber stopper. Put it into the drain bucket for safe keeping (See Figure 19).



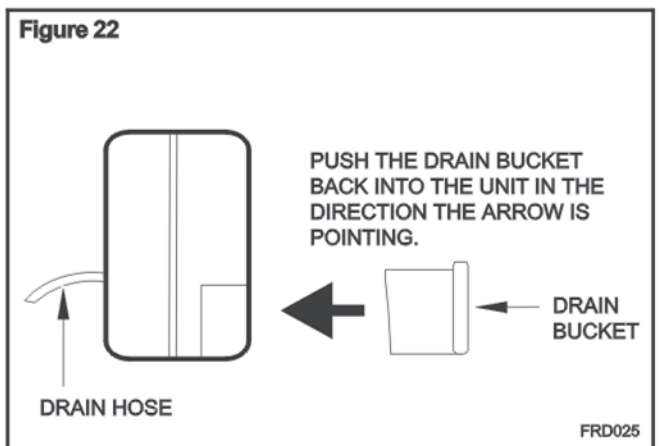
Insert the drain hose through the hole of the drain cover. Then connect the drain hose to the drain port (See Figure 20).



Tighten the drain cover in clockwise direction onto the rear of the unit (See Figure 21).



Place the bucket in its original location (See Figure 22).

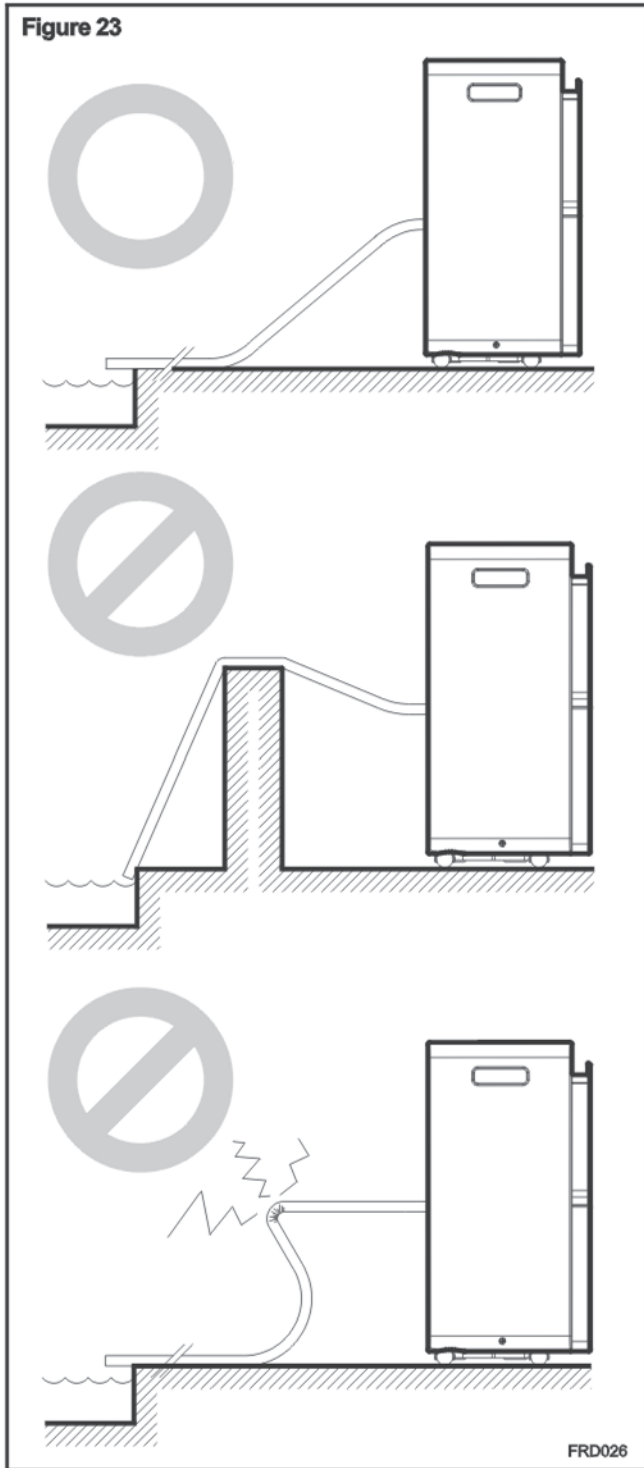




## Continuous Drain Hose Routing

When using the function of continuous drainage, the drain hose must be placed horizontally below the drainage hole (See Figure 23).

You must avoid uneven ground and folding the hose (See Figure 23).



## Continuous Drainage using Built-In Pump (D50AP/D70BP models only)

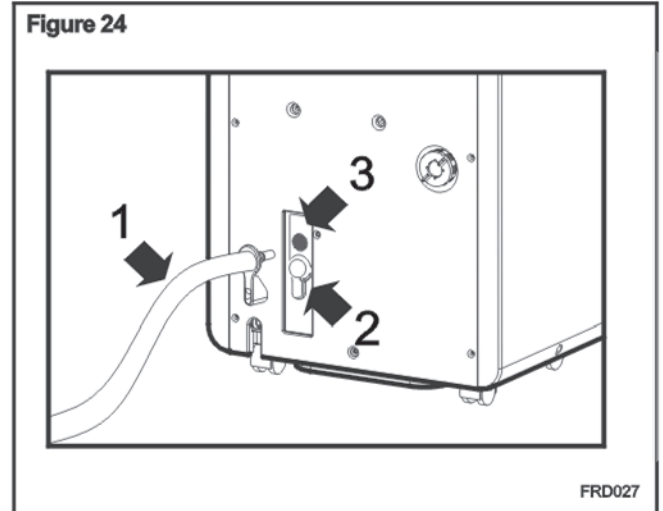
### Installation:

- STEP 1.** Connect the supplied water hose to the drainage key.
- STEP 2.** Connect the drainage key and water hose (1) to the drain outlet (2) on the rear panel.
- STEP 3.** Lead the other end to a suitable location for drainage, like a drain or sink and insert the plug into the water drain.

The maximum distance and the rise may be 15 ft from the unit. Exceeding this distance may damage the unit or cause leaks. When the unit's drain bucket capacity reaches a certain water level, it will drain automatically (See Figure 24).

### Dismantle:

Press the drain release button (3) on the unit rear panel. The automatic drainage key will pull out (See Figure 24).



## NOTICE

In the automatic mode, the condensed moisture is always removed through the air exhaust hose. Removing the rubber plug from the water drain will allow the water to drain out at this point. The water drain can not be used.

## MAINTENANCE

### WARNING



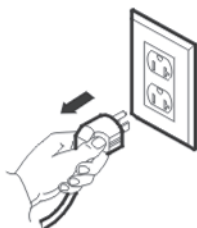
#### Electrical Shock Hazard

Make sure your electrical receptacle has the same configuration as your dehumidifier's plug. If different, consult a Licensed Electrician.

Do not use plug adapters.  
Do not use an extension cord.  
Do not remove ground prong.

Always plug into a grounded 3 prong outlet.  
Failure to follow these instructions can result in death, fire, or electrical shock.

For safety reasons, make sure the unit is unplugged before servicing or cleaning.

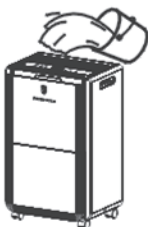


### Cleaning the shell

**STEP 1.** Wipe the shell with a clean, soft cloth.

**STEP 2.** If the unit is very dirty, use mild detergent then wipe off the detergent with half dried cloth.

### WARNING



#### Water Hazard

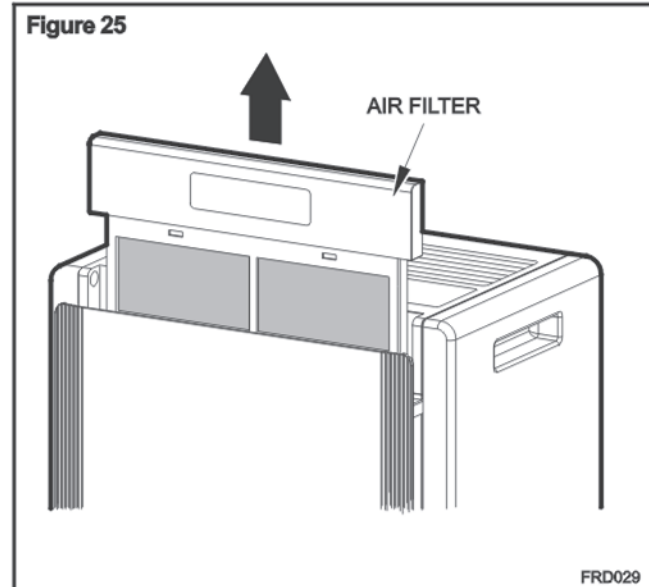
Do not wash the unit with a hose or immerse it in water. This may cause leakage of electricity or a shock hazard.

### Cleaning the air filter

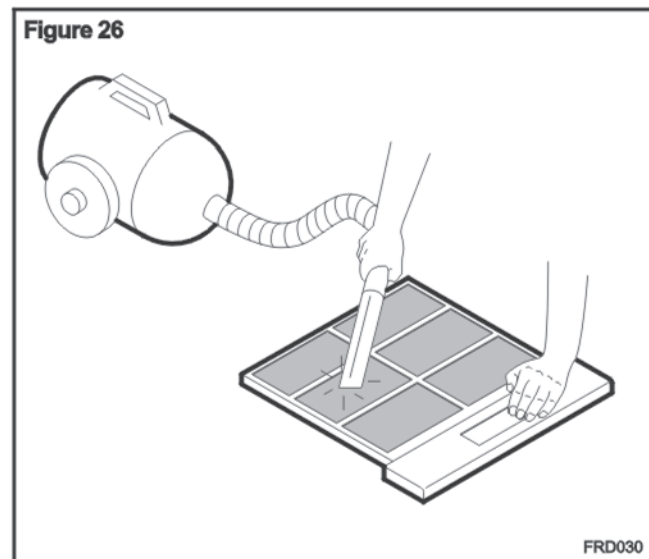
The purpose of the air filter is to filter dust and other materials from the air. If the filter is blocked by dust the electricity usage will be greater than normal. For optimal moisture removal and efficiency, clean the filter every two weeks.

## Cleaning Steps

**STEP 1.** Pull the air filter out gently (See Figure 25).



**STEP 2.** Clean the air filter with a vacuum cleaner or wash it with clean water and dry with a dry cloth (See Figure 26).



**STEP 3.** Put the clean air filter back in place and continue to operate the dehumidifier.

---

## **IN CASE OF EMERGENCY**

If a problem occurs, unplug the unit and contact a qualified servicing center immediately. Do not disassemble the unit yourself.

### ***NOTICE***

If the power cord on this unit is damaged it must be replaced by the manufacturer, its service agent or qualified service technician in order to avoid a hazard.

### ***NOTICE***

This appliance is not intended for use by children or other persons without assistance or supervision if their physical, sensory or mental capabilities prevent them from using it safely. Children should be supervised to ensure that they do not play with the appliance.



Friedrich Air Conditioning Company  
10001 Reunion Place, Suite 500  
San Antonio, TX 78216  
www.friedrich.com

## DEHUMIDIFIERS LIMITED WARRANTY

### FIRST YEAR

**ANY PART:** If any part supplied by FRIEDRICH fails because of a defect in workmanship or material within twelve months from date of original purchase, FRIEDRICH will repair the product at no charge, provided the product is transported to a Friedrich Authorized Service Center for repair. ALL transportation charges are the sole responsibility of the owner. This remedy is expressly agreed to be the exclusive remedy within twelve months from the date of the original purchase.

### SECOND THROUGH FIFTH YEAR

**SEALED REFRIGERANT SYSTEM:** If the Sealed Refrigeration System (defined for this purpose as the compressor, condenser coil, dehumidifying coil, capillary, filter drier, and all interconnecting tubing) supplied by FRIEDRICH in your dehumidifier fails because of a defect in workmanship or material within sixty months from date of purchase, FRIEDRICH will pay a labor allowance and parts necessary to repair the Sealed Refrigeration System; **PROVIDED** FRIEDRICH will not pay the cost of diagnosis of the problem, removal, freight charges, and transportation of the dehumidifier to and from the Service Agency, and the reinstallation charges associated with repair of the Sealed Refrigeration System. All such cost will be the sole responsibility of the owner. This remedy is expressly agreed to be the exclusive remedy within sixty months from the date of the original purchase.

**APPLICABILITY AND LIMITATIONS:** This warranty is applicable only to units retained within the Fifty States of the U.S.A., District of Columbia, and Canada. This warranty is not applicable to:

1. Air filters or fuses.
2. Products on which the model and serial numbers have been removed.
3. Products which have defects or damage which results from improper installation, wiring, electrical current characteristics, or maintenance; or caused by accident, misuse or abuse, fire, flood, alterations and/or misapplication of the product and/or units installed in a corrosive atmosphere, default or delay in performance caused by war, government restrictions or restraints, strikes, material shortages beyond the control of FRIEDRICH, or acts of God.

**OBTAINING WARRANTY PERFORMANCE:** Service will be provided by the **FRIEDRICH Authorized Dealer or Service Organization** in your area. They are listed in the Yellow Pages. If assistance is required in obtaining warranty performance, write to: Room Air Conditioner Service Manager, Friedrich Air Conditioning Co., 10001 Reunion Place, Suite 500 San Antonio, TX 78216

**LIMITATIONS:** THIS WARRANTY IS GIVEN IN LIEU OF ALL OTHER WARRANTIES. Anything in the warranty notwithstanding, ANY IMPLIED WARRANTIES OF FITNESS FOR PARTICULAR PURPOSE AND/OR MERCHANTABILITY SHALL BE LIMITED TO THE DURATION OF THIS EXPRESS WARRANTY. MANUFACTURER EXPRESSLY DISCLAIMS AND EXCLUDES ANY LIABILITY FOR CONSEQUENTIAL OR INCIDENTAL DAMAGE FOR BREACH OF ANY EXPRESSED OR IMPLIED WARRANTY.

**NOTE:** Some states do not allow limitations on how long an implied warranty lasts, or do not allow the limitation or exclusion of consequential or incidental damages, so the foregoing exclusions and limitations may not apply to you.

**OTHER:** This warranty gives you specific legal rights, and you may also have other rights which vary from state to state.

**PROOF OF PURCHASE:** Owner must provide proof of purchase in order to receive any warranty related services.

All service calls for explaining the operation of this product will be the sole responsibility of the consumer.

All warranty service must be provided by an **Authorized FRIEDRICH Service Agency**, unless authorized by FRIEDRICH prior to repairs being made.









**F R I E D R I C H**

Friedrich Air Conditioning Co.  
10001 Reunion Place • Suite 500 • San Antonio, TX • 78216  
(800) 541-6645  
[www.friedrich.com](http://www.friedrich.com)

Printed in the U.S.A.