



Use and Care Guide

for Glass Door Beverage Refrigerator

Model **SCR485L**

Write the serial number here:

Serial # _____

Felix Storch, Inc.
Summit Appliance Division
770 Garrison Avenue
Bronx, NY 10474

Thank you for purchasing the SUMMIT Glass Door Beverage Refrigerator Model SCR485L. This product has been manufactured to the high standards identified with the SUMMIT name. We fully expect it to bring you many years of excellent service.

Please read this manual before installing and using the unit, and keep the manual in a handy spot for future reference.

Table of Contents

Appliance Safety	2-3
Technical Information	3
Location of Parts	4
Installation Instructions	4-7
Unpacking	4-5
Location Requirements	5-6
Leveling the Refrigerator	6
Reversing the Door Swing	6-7
Operation	7-9
Cleaning and Maintenance	9-10
Troubleshooting	10-11
Warranty	12

Appliance Safety

Your safety and the safety of others are very important to us. We have provided many important safety messages in this manual and on your appliance. Always read and obey all safety messages. Serious injury or even death can be the result if you do not follow these instructions. All safety messages will tell you what the potential hazard is, tell you how to reduce the chance of injury, and tell you what can happen if the instructions are not followed.

WARNING! To reduce the risk of fire, electric shock or injury when using your appliance, follow these basic precautions:

- Plug into a grounded 3-prong outlet.
- Do not remove grounding prong, nor use a 3/2 adaptor.
- Do not use an extension cord.
- Do not plug into outlets controlled by wall switches.

- Disconnect power before servicing or cleaning.
- After servicing, replace all parts and panels before operating.
- Use nonflammable cleaners.
- Keep flammable materials and vapors, such as gasoline, away from appliances.
- Use two or more people to move and install appliance.

Proper Disposal of Your Old Appliance

Old appliances can represent a suffocation hazard to children.

- Remove doors from your old appliance.
- Leave shelves in place.
- If an old appliance contains refrigerants, it must be recycled by a licensed service or disposal company.

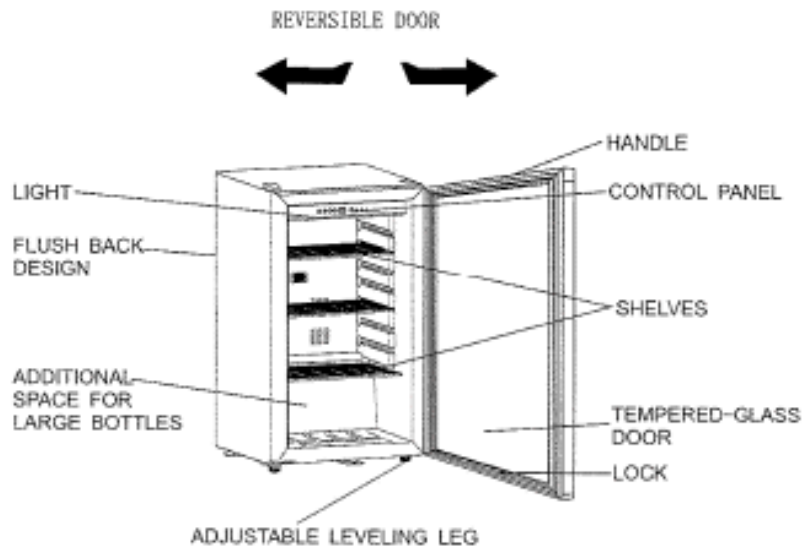
Technical Information

Model Number:	SCR485L
Capacity:	2.8 cubic feet
Electrical Rating:	115VAC, 60Hz, 2A
Total Power Input:	160W
Refrigerant:	R134a, 1.94 oz (55g)
Net Weight:	63.8 lbs
Unit Dimensions:	18.7"W x 19.1"D x 32.7"H

Specifications are subject to change without notice.

WARNING: Keep vents clear.

Location of Parts



Installation Instructions

UNPACKING *Excessive Weight Hazard! Use two or more people to move and install your appliance. Failure to do so can result in back or other injury.*

ALLOW APPLIANCE TO SIT UPRIGHT FOR 24 HOURS BEFORE TURNING ON, TO ALLOW THE COMPRESSOR LUBRICANT TO DRAIN.

1. Remove packaging material.
2. Remove tape and glue residue from surfaces before turning on the appliance. Rub a small amount of liquid dish soap over the adhesive with your fingers. Rinse with warm water and dry.
3. Do not use sharp instruments, rubbing alcohol, flammable fluids or abrasive cleansers to remove tape or glue. These products can damage the surface of the appliance.
4. When Moving Your Appliance:
Your appliance is heavy. When moving the appliance for cleaning or service, be sure to protect the floor. Always pull the

appliance straight out when moving it. Do not wiggle or “walk” the appliance when trying to move it, because floor damage can occur.

5. Clean Before Using:

After you remove all of the packaging materials, clean the inside of your appliance before using it. See cleaning instructions in the *Cleaning and Maintenance* section of this manual.

6. The appliance has leveling legs at the front. For best operation, be sure the unit is level.

Keep flammable materials and vapors such as gasoline away from appliances. Failure to do so can result in fire or explosion.

LOCATION REQUIREMENTS

IMPORTANT: Do not install the appliance near an oven, radiator or other heat source, nor in a location where the temperature will fall below 45°F (7°C). Do not place in direct sunlight.

Check the strength of the floor before installing the appliance. It should hold the weight of a fully loaded appliance. Allow at least 1" (2.5 cm) of airspace at the top and on both sides of the appliance and 1" (2.5 cm) between the back of the appliance and the wall. If the appliance is going to be placed beside a wall, if possible, leave extra space on the hinge side so the door can open wider than its width (to make it easier to remove shelves or storage bins.)

Choosing the Right Place

Place the unit in a dry and regularly ventilated place. It is recommended that this appliance always be operated in an ambient temperature of at least 32°F and under 90°F. The appliance may be exposed to lower or higher temperatures but only for a short period of time. Never place the appliance near heat-emitting devices (e.g., oven, radiator, water heater or similar devices) or in moist areas, and do not expose it to direct sunlight..

Recommended Grounding Method

A 115V, 60Hz AC-only, grounded electrical supply, including a 15- or 20-amp fuse or circuit breaker, is required. It is recommended that a separate circuit serving only your appliance be provided. Use outlets that cannot be turned off by a switch or pull chain. Connect this appliance to a 3-prong power supply socket (which has a good ground terminal). If you only have a two-prong outlet, have it replaced by a qualified electrician with an outlet that meets

the local codes. DO NOT USE AN EXTENSION CORD. Required nominal voltage and frequency are indicated on the rating plate. The connection to the power supply and grounding has to be made according to current standards and regulations. The appliance resists temporary voltage shifts with a tolerance from -15% to +10%.

Energy Saving Tips

- The more airflow you can provide around an appliance, the less energy it will use.
- Keep door open a minimum of time, and shut securely.

LEVELING THE REFRIGERATOR

1. Be sure the two front leveling legs are screwed into place on the bottom of the unit. The back of the unit rests on two fixed supports.
2. Adjust the front legs just enough to lift the cabinet up off the floor.
3. Place a leveling tool on top of the appliance, first side to side, then front to back. Turn leg counter-clockwise to raise a corner, and clockwise to lower a corner.
4. Repeat Step 3 until appliance is level.
5. After appliance is fully loaded, recheck with a level as in Step 3.

REVERSING THE DOOR SWING

The refrigerator is delivered to you with the door opening on the left side. If you find this direction of opening inconvenient, you can change it. Holes on the opposite side have already been prepared in the factory. The numbers in parentheses in the steps below refer to the called-out numbers in the illustrations on the next page. Figure 1 represents the position of components prior to door reversal, and Figure 2 shows their position after reversal.

NOTE: All parts removed during the door reversal must be saved for the reinstallation of the door.

1. Take off the upper hinge cover from the door and remove the screws (1) that hold the top hinge (5).
2. Lift the hinge straight up to free the hinge pin from the socket in the top of the door.
3. Lift the door up and away to free its bottom socket from the hinge pin (7).

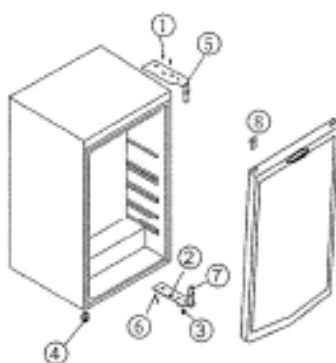


FIGURE 1

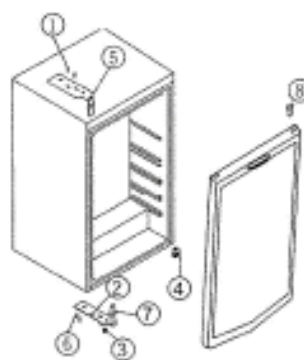


FIGURE 2

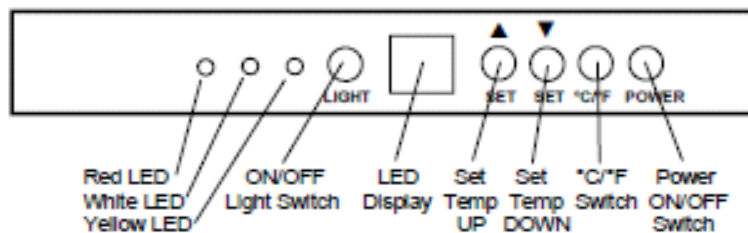
4. Remove the screws (3, 6) holding the bottom hinge (2).
5. Remove the decorative plug (8) from the opposite side and plug the holes on the original side with the decorative plug.
6. Unscrew the remaining leveling leg (4) and screw it back on the other side.
7. Move the bottom hinge to the opposite side and tighten the screws. Use any lock washers or nuts if they were part of the original installation.
8. Replace the door onto the hinge pin on the bottom hinge. Place the top hinge pin into the door. Insert screws into the top hinge and tighten. Replace hinge cover.

If you notice the door is not hanging straight, loosen the top hinge, adjust the door until it is level and retighten the screws.

Operation

The SCR485L beverage refrigerator should be placed where the ambient temperature is between 32°F and 90°F. If the ambient temperature is above or below this range, the performance of the unit may be affected. For example, extremely hot or cold conditions may cause the interior temperature to fluctuate.

Other factors that may affect the inner temperature are whether the interior light is kept ON or OFF, and whether the bottles are located on the upper/middle or lower section.

SCR485L CONTROL PANEL

The three LEDs on the left side of the control panel indicate the temperature range inside the cabinet:

- Red light: 55°F – 64°F (13°C – 18°C)
- White light: 45°F – 54°F (7°C – 12°C)
- Yellow light: 34°F – 43°F (1°C – 6°C)

The Light Switch allows you to turn on the interior light with a push of the button. Push the Switch again to turn off the light; otherwise it will go out by itself in five minutes.

The LED Display normally shows the current average temperature inside the cabinet. It also allows you to set the temperature you desire, as described below.

The two SET buttons let you raise or lower the cabinet temperature to the level you prefer. *To change the temperature*, press one of the SET buttons. The LED Display will begin to blink, and while it is blinking, raise or lower the displayed temperature by pressing the appropriate SET button. Stop when the Display shows the temperature you want. In a couple of seconds, the Display will stop blinking and the unit will adjust itself to the new temperature. NOTE: You cannot change the set temperature unless the Display is blinking.

The °C/°F Switch changes the display back and forth between the Celsius and Fahrenheit temperature scales.

The Power ON/OFF switch turns the appliance on and off.

AUTO-DEFROST OPERATION

This appliance requires no manual defrosting. During the operation of the compressor, ice will build up along the cold rear wall (the evaporator plate is behind the wall). During the compressor's off-cycle, the ice will melt, drip down, and collect in a tray above the compressor, where the compressor's heat evaporates the water. If you notice excessive ice build-up on the rear wall, try setting the temperature slightly higher. Also, be sure that the door gasket is sealing well.

SHELVES

The refrigerator has three removable, easily adjusted, chrome-plated wire shelves. To take out a shelf, first remove its contents, then simply grasp it firmly and pull straight out.

Cleaning and Maintenance

Use non-flammable cleaners.

A complete cleaning of the refrigerator should be performed before first use and after that, at least every three months.

1. Unplug the appliance or disconnect power.
2. Remove all contents.
3. Wash the inside walls with a solution of mild detergent in warm water or 2 tbs (26 g) baking soda in 1 qt (0.95 L) warm water.
Do not use abrasive or harsh cleaners such as window sprays, scouring cleansers, flammable fluids, cleaning waxes, concentrated detergents, bleaches or cleansers containing petroleum products on plastic parts, interior and door lines or gaskets. Do not use paper towels, scouring pads, or other harsh cleaning tools. These can scratch and otherwise damage materials.
4. Rinse well and wipe dry with a clean cloth.
5. Wash the black exterior housing with a clean sponge or soft cloth and a mild detergent in warm water. Do not use abrasives or harsh cleansers, or cleaners designed for stainless steel (except on the door frame and handle). Dry thoroughly with a soft cloth. For additional protection against damage to painted metal exteriors, apply appliance wax (or auto paste wax) with a clean, soft cloth. Do not wax plastic parts.
6. Plug in your appliance or reconnect power.

7. Replace contents.
8. For the stainless steel door frame and handle, use special stainless steel cleaners only. Do not use bleach or any abrasive cleaners.

Never use a metal object to remove ice from the rear wall. If needed, use a plastic ice scraper or a hair dryer.

Troubleshooting

Before calling for assistance or service, please check this *Troubleshooting* section. It may save you the cost of a service call. If you still need help, follow the instructions below.

If you don't find the answer to your question in this manual, try our website, www.summitappliance.com, under *Service and Support*, or contact our Customer Service department toll-free in the U.S.A. at 1-800-287-8799, Monday through Friday, 9:00 a.m. – 5:00 p.m. (ET).

If you need replacement parts, we recommend that you only use factory-specified parts. Factory-specified parts will fit right and work right, because they are made with the same precision used to build every new SUMMIT® appliance. Parts can be ordered online at www.summitappliance.com/support.

Your refrigerator will not operate:

Has a household fuse blown or circuit breaker tripped, or is the outlet not receiving power or is it switch-controlled?

Replace the fuse or reset the circuit breaker. Check the outlet with a small appliance you know works.

The motor seems to run too much:

Is there excessive frost or an item preventing the door from closing?

Defrost and clean the appliance, or move the item so the door closes properly.

Is the room temperature hotter than normal?

The motor will run longer under warm conditions. At normal room temperatures, the motor will run about 40% to 80% of the time. Under warmer conditions it will run even more.

Has a large number of items been added to the appliance?

Adding a large amount of food warms the refrigerator. The motor will normally run longer to cool the appliance back down.

Is the door completely closed?

Push the door firmly shut. If it will not shut all the way, see "The door will not close completely" later in this section.

Are the condenser coils dirty?

This prevents air transfer and makes the motor work harder. Clean the condenser coils.

Is the door gasket sealed all the way around?

Contact a qualified technician.

NOTE: If the problem is not due to any of the above, remember that the compressor on your new appliance will operate longer than your old one due to its high-efficiency motor.

The interior temperature is too warm:

Are the air vents blocked?

This prevents cold air movement. Move objects away from the air vents.

Is the door opened often?

Be aware that the refrigerator will warm when this occurs. In order to keep the appliance cool, try to get everything you need out at once, keep food organized so it is easy to find, and close the door as soon as food is removed.

Has a large amount of food just been added?

Adding a large amount of food warms the refrigerator. It can take several hours to return to the normal temperature.

The door will not close completely or is difficult to open:

Are food packages blocking the door?

Rearrange containers so that they fit more tightly and take up less space.

Are shelves out of position?

Put the shelves back into their correct positions.

The interior light does not work:

Is the appliance working properly except that the LED light on the cabinet ceiling does not go on when the ON/OFF Light Switch is pushed?

Order a replacement bulb at www.summitapplianceparts.com, or speak directly to Customer Service at 1-800-287-8799.

WARRANTY

ONE YEAR LIMITED WARRANTY

Within the 48 contiguous United States, for one year from the date of purchase, when this appliance is operated and maintained according to instructions attached to or furnished with the product, warrantor will pay for factory specified parts and repair labor to correct defects in materials or workmanship. Service must be provided by a designated service company. Outside the 48 states, all parts are warranted for one year from manufacturing defects. Plastic parts, shelves and cabinets are warranted to be manufactured to commercially acceptable standards, and are not covered from damage during handling or breakage.

5 YEAR COMPRESSOR WARRANTY

1. The compressor is covered for 5 years.
2. Replacement does not include labor.

ITEMS WARRANTOR WILL NOT PAY FOR:

1. Service calls to correct the installation of your appliance, to instruct you how to use your appliance, to replace or repair fuses or to correct wiring or plumbing.
2. Service calls to repair or replace appliance light bulbs or broken shelves. Consumable parts (such as filters) are excluded from warranty coverage.
3. Damage resulting from accident, alteration, misuse, abuse, fire, flood, acts of God, improper installation, installation not in accordance with electrical or plumbing codes, or use of products not approved by warrantor.
4. Replacement parts or repair labor costs for units operated outside the United States.
5. Repairs to parts or systems resulting from unauthorized modifications made to the appliance.
6. Expenses for travel and transportation for product service in remote locations.
7. The removal and reinstallation of your appliance if it is installed in an inaccessible location or is not installed in accordance with published installation instructions.

DISCLAIMER OF IMPLIED WARRANTIES: LIMITATION OF REMEDIES

CUSTOMER'S SOLE AND EXCLUSIVE REMEDY UNDER THIS LIMITED WARRANTY SHALL BE PRODUCT REPAIR AS PROVIDED HEREIN. IMPLIED WARRANTIES, INCLUDING WARRANTIES OF MERCHANTABILITY OR FITNESS FOR A PARTICULAR PURPOSE, ARE LIMITED TO ONE YEAR. WARRANTOR SHALL NOT BE LIABLE FOR INCIDENTAL OR CONSEQUENTIAL DAMAGES. SOME STATES DO NOT ALLOW THE EXCLUSION OR LIMITATION OF INCIDENTAL OR CONSEQUENTIAL DAMAGES, OR LIMITATIONS ON THE DURATION OF IMPLIED WARRANTIES OF MERCHANTABILITY OR FITNESS, SO THESE EXCLUSIONS OR LIMITATIONS MAY NOT APPLY TO YOU. THIS WARRANTY GIVES YOU SPECIFIC LEGAL RIGHTS AND YOU MAY ALSO HAVE OTHER RIGHTS, WHICH VARY FROM STATE TO STATE.

WARNING! This product may contain chemicals known to the state of California to cause cancer or birth defects or other reproductive harm. For more information, visit: www.summitappliance.com/prop65

Chemicals known by the manufacturer to be present in this product in concentrations higher than threshold limits: NONE.

FELIX STORCH, INC.
770 Garrison Avenue
Bronx, NY 10474
Phone: (718) 893-3900
Fax: (718) 842-3093
www.summitappliance.com



For parts and accessory ordering,
troubleshooting and helpful hints, visit:
www.summitappliance.com/support