



SWC1224



34.38" x 11.88" x 22.38" (H x W x D)

12" wide built-in undercounter wine cellar with digital thermostat and LED lighting

Highlights:

Flexible design allows built-in or freestanding use

Digital thermostat offers precise and convenient temperature control

Factory installed lock provides security you can count on

Unique 12" width fits common undercounter cutouts

Product Features:

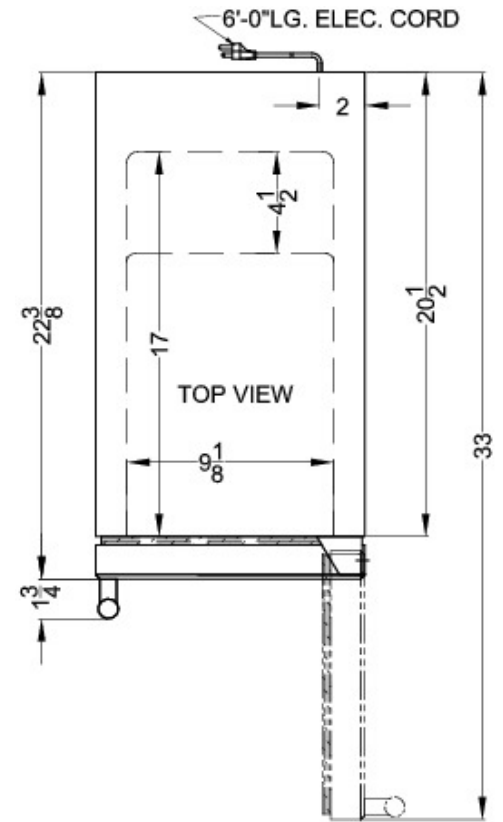
Built-in capable	Make the best use of space by installing your appliance under the counter
Commercially approved	Meets UL Commercial Standard 471 and is ETL-S listed to NSF-7 commercial standards
Glass door with stainless steel trim	Provides a full display of your stored collection with a heat-safe double tempered design
Factory installed lock	Keyed security on the wine cellar door
21 bottle capacity	Interior can hold 21 bottles in standard Bordeaux style or wider Burgundy style
Digital thermostat	Electronic controls for precise temperature management, with indicator lights for red, white, and sparkling wines
Digital display	Temperature readout can be shown in Celsius or Fahrenheit
Wooden shelves	Slide-out shelves offer the perfect storage for bottles
LED lighting	On/off button to illuminate your collection



SWC1224 Specifications:

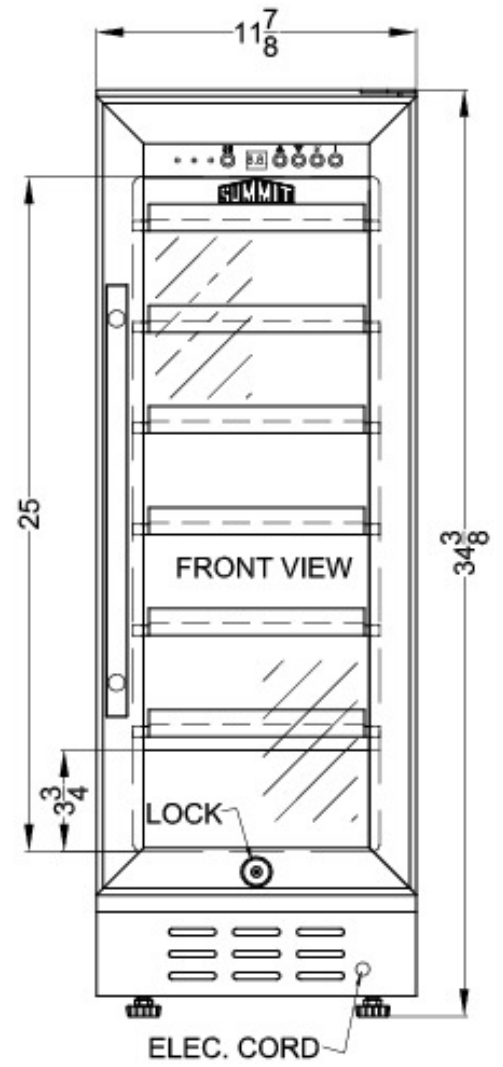
Overview	
Height	34.38"
Width	11.88"
Depth	22.38"
Depth with Handle	24.13"
Depth with door at 90°	33.0"
Bottles	21 bottles
Defrost Type	Automatic
Door	Glass
Cabinet	Black
US Electrical Safety	ETL
Canadian Electrical Safety	ETL-C
Sanitation	ETL-S
Amps	2.0
Voltage/Frequency	115 V AC/60 Hz
Weight	66.0 lbs.
Shipping Weight	70.0 lbs.
Parts & Labor Warranty	1 Year
Compressor Warranty	5 Years
Wine Cellar	
Number of Zones	1
Door Swing	RHD
Reversible	Yes
Adjustable Shelves	Yes
Shelf Type	Wood
Shelf Qty	6
Thermostat Type	Digital
Interior Light	Yes
Fan Type	Interior and Exterior
Refrigerant Type	R134a
Refrigerant Amount	2.11 oz.
High Side PSI	270.0
Low Side PSI	103.0
Interior Height 1	25.0"
Interior Width 1	9.13"
Interior Depth 1	17.0"
Compressor Step Height	3.75"

Compressor Step Width	9.13"
Compressor Step Depth	4.5"
Level Legs	4



SUMMIT APPLIANCE DIVISION FELIX STORCH, INC.

770 Garrison Avenue, Bronx, NY 10474 USA TEL 718-893-3900 FAX 844-478-8799 info@summitappliance.com www.summitappliance.com



SUMMIT APPLIANCE DIVISION FELIX STORCH, INC.

770 Garrison Avenue, Bronx, NY 10474 USA TEL 718-893-3900 FAX 844-478-8799 info@summitappliance.com www.summitappliance.com