

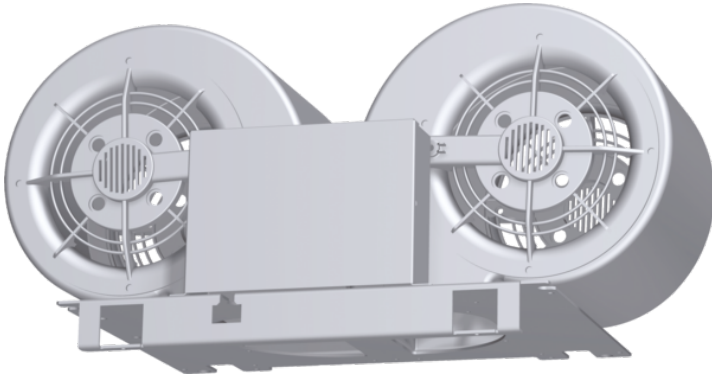
1000 CFM Internal Blower VTN1080N



Product Features

Internal blower mounted within hood.

Used with HMCN Masterpiece Chimney Wall Hoods and Pro Chimney Wall Hoods

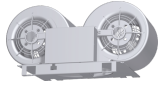


Notes: Please refer to installation instructions. Installation instructions are available at www.thermador.com. Specifications are correct at the time of printing. Thermador reserves the right to change product specifications and design at any time, without notice.

1 800 735 4328 | WWW.THERMADOR.COM | 1901 Main Street, Suite 600 Irvine, CA 92614

©2018 BSH HOME APPLIANCES CORPORATION, ALL RIGHTS RESERVED LITHO DATE: 09/2018

1000 CFM Internal Blower VTN1080N



Product Features

Product group	Accessory
Brand	Thermador
SKU	VTN1080N
Internal article number	VTN1080N
EAN code	825225912743
Product packaging dimensions (HxWxD) (in)	12 3/16" x 20 1/16" x 13 3/8"
Net weight (lbs)	19
Gross weight (lbs)	21
UPC code	825225912743
Name of product image	MCSA036812_VTN1080F_def.jpg

Technical Specification

Notes: Please refer to installation instructions. Installation instructions are available at www.thermador.com. Specifications are correct at the time of printing. Thermador reserves the right to change product specifications and design at any time, without notice.

1 800 735 4328 | WWW.THERMADOR.COM | 1901 Main Street, Suite 600 Irvine, CA 92614

©2018 BSH HOME APPLIANCES CORPORATION, ALL RIGHTS RESERVED LITHO DATE: 09/2018