



RE201W



43" x 20" x 24" (H x W x D)

20" wide electric range in white finish with coil burners

Highlights:

20" width is ideal for space-challenged kitchens

Waist-high broiler lets you bake and broil with ease

Color matched handles and controls for a clean kitchen look

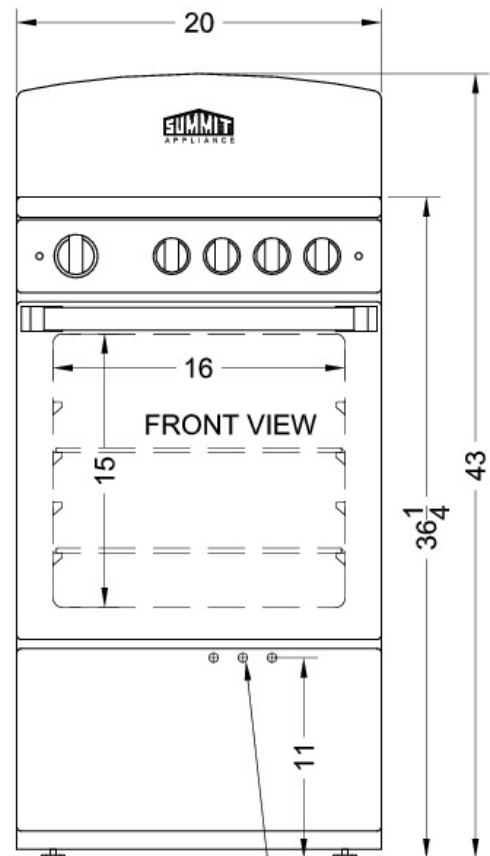
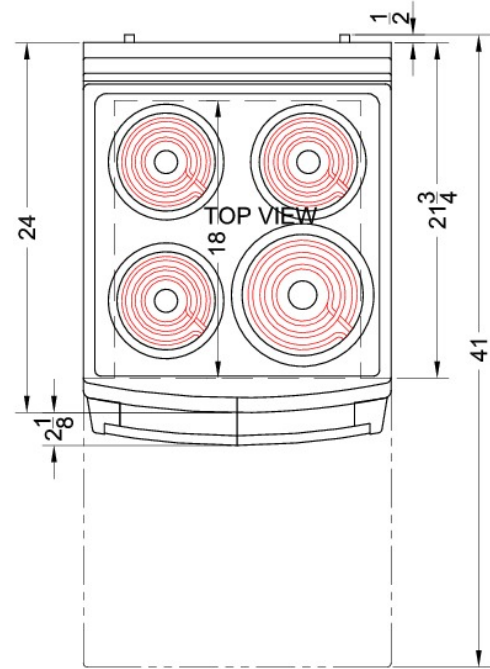
Product Features:

Thin-line design	Just 20" wide, but with a generously sized 2.41 cu.ft. oven to ensure full cooking capacity in smaller kitchen spaces
Waist-high broiler	Broiler is located inside the oven, making it easier to use
Backsplash	High backing prevents stovetop contents from splashing up or boiling over and staining back walls
Four coil elements with chrome drip pans	Surface features one 8" and three 6" coil elements to accommodate a range of sizes and cooking needs
Upfront controls	Control panel is conveniently located to prevent users from reaching over hot cooktop surface for adjustments
Chrome drip pans	Each element includes a removable chrome pan for easier cleaning
Textured cabinet	Fully finished white cabinet constructed from steel
Color matched knobs & handle	White-on-white design for an attractive look ideal for any kitchen
Indicator lights	Control panel includes an 'on' light for the oven and burners for added safety when using the range



RE201W Specifications:

Overview	
Height of Cabinet	43.0" (109 cm)
Width	20.0" (51 cm)
Depth	24.0" (61 cm)
Depth with Handle	26.13" (66 cm)
Depth with door at 90°	41.0" (104 cm)
Door	White
Cabinet	White
US Electrical Safety	UL
Voltage/Frequency	220 V AC/60 Hz
Shipping Weight	150.0 lbs. (68 kg)
Parts & Labor Warranty	1 Year
Electric Range	
Oven Capacity	2.41 cu.ft. (68 L)
Cooktop Surface	Metal
Element Type	Coils
Number of Elements	4
Element #1 Wattage	2100.0
Element #2 Wattage	1250.0
Element #3 Wattage	1250.0
Element #4 Wattage	1250.0
Burner Controls	Dial
Oven Controls	Dial
Backguard	Yes
Cleaning Type	Manual
Oven Rack Qty	2
Oven Interior Height	15.0" (38 cm)
Oven Interior Width	16.0" (41 cm)
Oven Interior Depth	18.0" (46 cm)
Power Source	220V
Broiler Location	Inside Oven



ELECTRIC 240V / 60Hz