

## 1000 CFM Internal Blower VTN1030N



### Product Features

Used with PH Wall Hoods and Pro Custom Inserts

Internal blower mounted within hood.

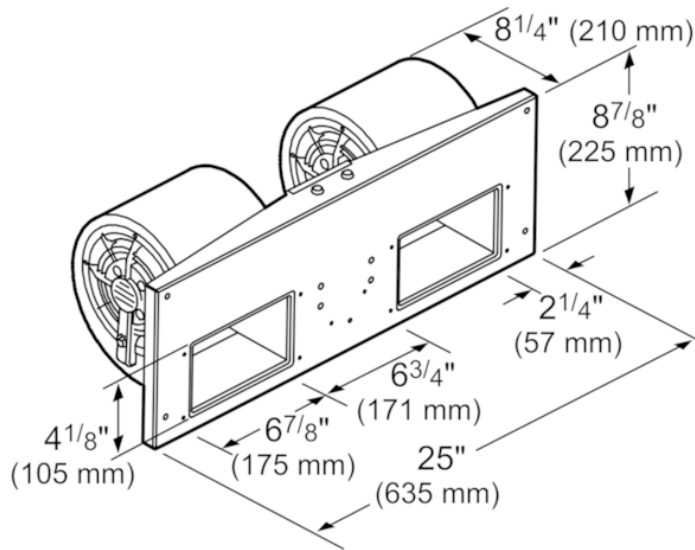


Notes: Please refer to installation instructions. Installation instructions are available at [www.thermador.com](http://www.thermador.com). Specifications are correct at the time of printing. Thermador reserves the right to change product specifications and design at any time, without notice.

1 800 735 4328 | [WWW.THERMADOR.COM](http://WWW.THERMADOR.COM) | 1901 Main Street, Suite 600 Irvine, CA 92614

©2018 BSH HOME APPLIANCES CORPORATION, ALL RIGHTS RESERVED LITHO DATE: 09/2018

## 1000 CFM Internal Blower VTN1030N



measurements in inches and mm

### Product Features

Product group	Accessory
Brand	Thermador
SKU	VTN1030N
Internal article number	VTN1030N
EAN code	825225912750
Product packaging dimensions (HxWxD) (in)	10 2/8" x 26 3/4" x 13"
Net weight (lbs)	22
Gross weight (lbs)	24
UPC code	825225912750
Name of product image	MCSA038297_VTN1030C_def.jpg

### Technical Specification

Notes: Please refer to installation instructions. Installation instructions are available at [www.thermador.com](http://www.thermador.com). Specifications are correct at the time of printing. Thermador reserves the right to change product specifications and design at any time, without notice.

1 800 735 4328 | [WWW.THERMADOR.COM](http://WWW.THERMADOR.COM) | 1901 Main Street, Suite 600 Irvine, CA 92614

©2018 BSH HOME APPLIANCES CORPORATION, ALL RIGHTS RESERVED LITHO DATE: 09/2018