



LG

Life's Good

LG OLED TV

THE ULTIMATE DISPLAY

OWNER'S MANUAL

Please read this manual carefully before operating your set and retain it for future reference.

55EG9100




* M F L 6 8 6 8 0 2 2 7 *

www.lg.com

P/NO : MFL68680227 (1510-REV01)

IMPORTANT SAFETY INSTRUCTIONS


Always comply with the following precautions to avoid dangerous situations and ensure peak performance of your product.




WARNING/CAUTION


RISK OF ELECTRIC SHOCK

DO NOT OPEN





TO REDUCE THE RISK OF ELECTRIC SHOCK DO NOT REMOVE COVER (OR BACK). NO USER SERVICEABLE PARTS INSIDE. REFER TO QUALIFIED SERVICE PERSONNEL.


 The lightning flash with arrowhead symbol within an equilateral triangle is intended to alert the user to the presence of uninsulated dangerous voltage within the product's enclosure that may be of sufficient magnitude to constitute a risk of electric shock to persons.

 The exclamation point within an equilateral triangle is intended to alert the user to the presence of important operating and maintenance (servicing) instructions in the literature accompanying the appliance.

WARNING/CAUTION
- TO REDUCE THE RISK OF FIRE AND ELECTRIC SHOCK, DO NOT EXPOSE THIS PRODUCT TO RAIN OR MOISTURE.

 **WARNING**
If you ignore the warning message, you may be seriously injured or there is a possibility of accident or death.

 **CAUTION**
If you ignore the caution message, you may be slightly injured or the product may be damaged.

 **NOTE**
The note helps you understand and use the product safely. Please read the note carefully before using the product.

Read these instructions.
Keep these instructions.
Heed all warnings.
Follow all instructions.



- Do not use this apparatus near water.



- Clean only with dry cloth.



- Do not block any ventilation openings. Install in accordance with the manufacturer's instructions.



- Do not install near any heat sources such as radiators, heat registers, stoves, or other apparatus (including amplifiers) that produce heat.



- Do not defeat the safety purpose of the polarized or grounding-type plug. A polarized plug has two blades with one wider than the other. A grounding type plug has two blades and a third grounding prong. The wide blade or the third prong are provided for your safety. If the provided plug does not fit into your outlet, consult an electrician for replacement of the obsolete outlet.



- Protect the power cord from being walked on or pinched particularly at plugs, convenience receptacles, and the point where they exit from the apparatus.



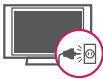
- Only use attachments/accessories specified by the manufacturer.



- Use only with the cart, stand, tripod, bracket, or table specified by the manufacturer, or sold with the apparatus. When a cart is used, use caution when moving the cart/apparatus combination to avoid injury from tip-over.



- Unplug this apparatus during lightning storms or when unused for long periods of time.



- Refer all servicing to qualified service personnel. Servicing is required when the apparatus has been damaged in any way, such as power-supply cord or plug is damaged, liquid has been spilled or objects have fallen into the apparatus, the apparatus has been exposed to rain or moisture, does not operate normally, or has been dropped.



- Do not press strongly upon the panel with a hand or a sharp object such as a nail, pencil, or pen, or make a scratch on it.



- Do not stick metal objects or any other conductive material into the power cord. Do

not touch the end of the power cord while it is plugged in.

- Keep the packing anti-moisture material or vinyl packing out of the reach of children. Anti-moisture material is harmful if swallowed. If swallowed, force the patient to vomit and visit the nearest hospital. Additionally, vinyl packing can cause suffocation. Keep it out of the reach of children.

- CAUTION concerning the Power Cord (Can differ by country):

Check the specification page of this owner's manual to be certain. Do not connect too many appliances to the same AC power outlet as this could result in fire or electric shock. Do not overload wall outlets. Overloaded wall outlets, loose or damaged wall outlets, extension cords, frayed power cords, or damaged or cracked wire insulation are dangerous. Any of these conditions could result in electric shock or fire. Periodically examine the cord of your appliance, and if its appearance indicates damage or deterioration, unplug it, discontinue use of the appliance, and have the cord replaced with an exact replacement part by an authorized service. Protect the power cord from physical or mechanical abuse, such as being twisted, kinked, pinched, closed in a door, or walked upon. Pay particular attention to plugs, wall outlets, and the point where the cord exits the appliance. Do not move the TV with the power cord plugged in. Do not use a damaged or loose power cord. Be sure do grasp the plug when unplugging the power cord. Do not pull on the power cord to unplug the TV.



- **Warning** - To reduce the risk of fire or electrical shock, do not expose this product to rain, moisture or other liquids. Do not touch the TV with wet hands. Do not install this product near flammable objects such as gasoline or candles, or expose the TV to direct air conditioning.

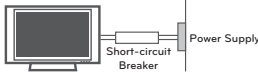


- Do not expose to dripping or splashing and do not place objects filled with liquids, such as vases, cups, etc. on or over the apparatus (e.g., on shelves above the unit).



Grounding

(Except for devices which are not grounded.) Ensure that you connect the earth ground wire to prevent possible electric shock (i.e., a TV with a three-prong grounded AC plug must be connected to a three-prong grounded AC outlet). If grounding methods are not possible, have a qualified electrician install a separate circuit breaker. Do not try to ground the unit by connecting it to telephone wires, lightning rods, or gas pipes.

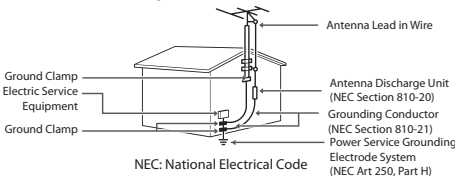


- As long as this unit is connected to the AC wall outlet, it is not disconnected from the AC power source even if the unit is turned off.
- Do not attempt to modify this product in any way without written authorization from LG Electronics. Unauthorized modification could void the user's authority to operate this product.

Outdoor Antenna Grounding

(Can differ by country): If an outdoor antenna is installed, follow the precautions below. An outdoor antenna system should not be located in the vicinity of overhead power lines or other electric light or power circuits, or where it can come in contact with such power lines or circuits as death or serious injury can occur. Be sure the antenna system is grounded to provide some protection against voltage surges and built-up static charges. Section 810 of the National Electrical Code (NEC) in the U.S.A. provides information with respect to proper grounding of the mast and supporting structure, grounding of the lead-in wire to an antenna discharge unit, size of grounding conductors, location of antenna discharge unit, connection to grounding electrodes, and requirements for the grounding electrode.

Antenna grounding according to the National Electrical Code, ANSI/NFPA 70



Cleaning

When cleaning, unplug the power cord and wipe gently with a soft cloth to prevent scratching. Do not spray water or other liquids directly on the TV as electric shock may occur. Do not clean with chemicals such as alcohol, thinners, or benzene.

Moving

Make sure the product is turned off, unplugged and all cables have been removed. It may take 2 or more people to carry larger TVs. Do not press or put stress on the front panel of the TV.

Ventilation

Install your TV where there is proper ventilation. Do not install in a confined space such as a bookcase. Do not cover the product with cloth or other materials while plugged in. Do not install in excessively dusty places.

- If you smell smoke or other odors coming from the TV, unplug the power cord and contact an authorized service center.
- Keep the product away from direct sunlight.
- Never touch this apparatus or antenna during a thunder or lightning storm.
- When mounting a TV on the wall, make sure not to install the TV by hanging the power and signal cables on the back of the TV.
- Do not allow an impact shock or any objects to fall into the product, and do not drop anything onto the screen.

DISCONNECTING THE DEVICE FROM THE MAIN POWER

The power plug is the disconnecting device. In case of an emergency, the Power Plug must remain readily accessible.

Batteries

Store the accessories (battery, etc.) in a safe location out of the reach of children.

- This apparatus uses batteries. In your community there might be regulations that require you to dispose of these batteries properly due to environmental considerations. Please contact your local authorities for disposal or recycling information.
- Do not dispose of batteries in a fire.
- Do not short circuit, disassemble or allow the batteries to overheat.
- Do not use high voltage electrical equipment near the TV, (e.g., a bug zapper). This may result in product malfunction.

Dot Defect

The panel is a high technology product with resolution of two million to six million pixels. In a very few cases, you could see fine dots on the screen while you're viewing the TV. Those

dots are deactivated pixels and do not affect the performance and reliability of the TV.

- **Generated Sound**

Cracking noise A cracking noise that occurs when watching or turning off the TV is generated by plastic thermal contraction due to temperature and humidity. This noise is common for products where thermal deformation is required.

Electrical circuit humming/panel buzzing A

low level noise is generated from a high-speed switching circuit, which supplies a large amount of current to operate a product. It varies depending upon the product.

This generated sound does not affect the performance and reliability of the product.

- Take care not to touch the ventilation openings. When watching the TV for a long period, the ventilation openings may become hot. This does not affect the performance of the product or cause defects in the product.
- Do not install this product on a wall if it could be exposed to oil or oil mist. This may damage the product and cause it to fall.
- If the TV feels cold to the touch, there may be a small flicker when it is turned on. This is normal, there is nothing wrong with TV. Some minute dot defects may be visible on the screen, appearing as tiny red, green, or blue spots. However, they have no adverse effect on the TV's performance. Avoid touching the screen or holding your finger(s) against it for long periods of time. Doing so may produce some temporary distortion effects on the screen.
- Displaying a still image for a prolonged period of time may cause an image sticking. Avoid displaying a fixed image on the TV screen for a extended length of time.

FCC Notice

(For USA)

This equipment has been tested and found to comply with the limits for a Class B digital device, pursuant to Part 15 of the FCC Rules. These limits are designed to provide reasonable protection against harmful interference in a residential installation. This equipment generates, uses, and can radiate radio frequency energy and, if not installed and used in accordance with the instructions, may cause harmful interference to radio communications. However, there is no guarantee that interference will not occur in a particular installation. If this equipment does cause harmful interference to radio or television reception, which can be determined by turning the equipment off and on, the user is encouraged to try to correct the interference by one or more of the following measures:

- Reorient or relocate the receiving antenna.
- Increase the separation between the equipment and the receiver.
- Connect the equipment to an outlet on a circuit different from that to which the receiver is connected.
- Consult the dealer or an experienced radio/TV technician for help.

This device complies with part 15 of the FCC Rules. Operation is subject to the following two conditions: (1) this device may not cause harmful interference and (2) this device must accept any interference received, including interference that may cause undesired operation of the device.

Any changes or modifications in construction of this device which are not expressly approved by the party responsible for compliance could void the user's authority to operate the equipment.

FCC Radio Frequency Interference**Requirements (for UNII devices)**

High power radars are allocated as primary users of the 5.25 to 5.35 GHz and 5.65 to 5.85 GHz bands. These radar stations can cause interference with and/or damage this device. This device cannot be co-located with any other transmitter.

FCC RF Radiation Exposure Statement

[For having wireless function (WLAN, Bluetooth,...)]

This equipment complies with FCC radiation exposure limits set forth for an uncontrolled environment. This transmitter must not be co-located or operating in conjunction with any other antenna or transmitter. This equipment should be installed and operated with minimum distance 20 cm (7.8 inches) between the antenna and your body. Users must follow the specific operating instructions for satisfying RF exposure compliance.

Industry Canada Statement

(For Canada)

[For having wireless function (WLAN, Bluetooth,...)]

This device complies with RSS-210 of the Industry Canada Rules. Operation is subject to the following two conditions:

1. This device may not cause interference and
2. This device must accept any interference, including interference that may cause undesired operation of the device.

IC Radiation Exposure Statement

(For Canada)

[For having wireless function (WLAN, Bluetooth,...)]

This equipment complies with IC radiation exposure limits set forth for an uncontrolled environment. This equipment should be installed and operated with minimum distance 20 cm (7.8 inches) between the antenna and your body.

NOTE: THE MANUFACTURER IS NOT RESPONSIBLE FOR ANY RADIO OR TV INTERFERENCE CAUSED BY UNAUTHORIZED MODIFICATIONS TO THIS EQUIPMENT. SUCH MODIFICATIONS COULD VOID THE USER'S AUTHORITY TO OPERATE THE EQUIPMENT.

! WARNING

(For Canada)

[For product having the wireless function using 5 GHz frequency bands]

- The device for operation in the band 5150–5250 MHz is only for indoor use to reduce the potential for harmful interference to co-channel mobile satellite systems;
- The maximum antenna gain permitted for devices in the bands 5250–5350 MHz and 5470–5725 MHz shall comply with the EIRP limit; and
- The maximum antenna gain permitted for devices in the band 5725–5825 MHz shall comply with the EIRP limits specified for point-to-point and non point-to-point operation as appropriate.
- High-power radars are allocated as primary users (i.e., priority users) of the bands 5250–5350 MHz and 5650–5850 MHz and that these radars could cause interference and/or damage to LE-LAN devices.

Note to Cable/TV Installer

(For USA and Canada)

This reminder is provided to call the CATV system installer's attention to Article 820-40 of the National Electric Code (U.S.A.). The code provides guidelines for proper grounding and, in particular, specifies that the cable ground shall be connected to the grounding system of the building, as close to the point of the cable entry as practical.

Viewing 3D Imaging

WARNING

Viewing Environment

- Viewing Time
 - When watching 3D contents, take five- to fifteen-minute breaks every hour. Viewing 3D contents for a long period of time may cause headache, dizziness, fatigue, or eye strain.

Those that have a photosensitive seizure or chronic illness

- Some users may experience a seizure or other abnormal symptoms when they are exposed to a flashing light or particular pattern from 3D contents.
- Do not watch 3D videos if you feel nausea, are pregnant and/ or have a chronic illness such as epilepsy, cardiac disorder, or blood pressure disease, etc.
- 3D Contents are not recommended for those who suffer from stereo blindness or stereo anomaly. Double images or discomfort in viewing may be experienced.
- If you have strabismus (cross-eyed), amblyopia (weak eyesight), or astigmatism, you may have trouble sensing depth and easily feel fatigue due to double images. It is advised to take frequent breaks than the average adult.
- If your eyesight varies between your right and left eye, correct your eyesight prior to watching 3D contents.

Symptoms which require discontinuation or refraining from watching 3D contents

- Do not watch 3D contents when you feel fatigue from lack of sleep, overwork or drinking.
- When these symptoms are experienced, stop using/watching 3D contents and get enough rest until the symptom subsides.
 - Consult your doctor when the symptoms persist. Symptoms may include headache, eyeball pain, dizziness, nausea, palpitation, blurriness, discomfort, double image, eyestrain, or fatigue.

CAUTION

Viewing Environment

- Viewing Distance
 - Maintain a distance of at least twice the screen diagonal length when watching 3D contents. If you feel discomfort in viewing 3D contents, move further away from the TV.

Viewing Age

- Infants / Children
 - Usage/Viewing 3D contents for children under the age of 5 is not recommended.
 - Children under the age of 10 may overreact and become overly excited because their vision is in development, for example, trying to touch the screen or trying to jump into it. Special monitoring and extra attention is required for children watching 3D contents.
 - Children have greater binocular disparity of 3D presentations than adults because the distance between the eyes is shorter than one of adults. Therefore they will perceive more stereoscopic depth compared to adults for the same 3D image.
- Teenagers
 - Teenagers may be stimulated by light coming from 3D videos. Advise them not to watch 3D videos for a long time when they are tired.
- Elderly
 - The elderly may perceive less of a 3D effect than the youth. Do not sit closer to the TV than the recommended distance.

Cautions when using the 3D glasses

- Make sure to use LG 3D glasses. Otherwise, you may not be able to view 3D videos properly.
- Do not use 3D glasses instead of your normal glasses, sunglasses, or protective goggles.
- Using modified 3D glasses may cause eye strain or image distortion.
- Do not keep your 3D glasses in extremely high or low temperatures. It will cause deformation.
- The 3D glasses are fragile and are easily scratched. Always use a soft, clean piece of cloth when wiping the lenses. Do not scratch the lenses of the 3D glasses with sharp objects or clean/wipe them with chemicals.

LICENSES

Supported licenses may differ by model.
For more information about licenses, visit www.lg.com.



OPEN SOURCE SOFTWARE NOTICE INFORMATION

To obtain the source code under GPL, LGPL, MPL, and other open source licenses, that is contained in this product, please visit <http://opensource.lge.com>.

In addition to the source code, all referred license terms, warranty disclaimers and copyright notices are available for download.

LG Electronics will also provide open source code to you on CD-ROM for a charge covering the cost of performing such distribution (such as the cost of media, shipping, and handling) upon email request to opensource@lge.com. This offer is valid for three (3) years from the date on which you purchased the product.

TABLE OF CONTENTS

2 IMPORTANT SAFETY INSTRUCTIONS

- 5 - FCC Notice
- 6 - Industry Canada Statement
- 6 - IC Radiation Exposure Statement
- 6 - Note to Cable/TV Installer
- 7 Viewing 3D Imaging

8 LICENSES

8 OPEN SOURCE SOFTWARE NOTICE INFORMATION

9 TABLE OF CONTENTS

10 INSTALLATION PROCEDURE

10 ASSEMBLING AND PREPARING

- 10 Unpacking
- 12 Optional Extras
- 13 Parts and Buttons
- 14 - Using the Joystick button
- 15 Lifting and Moving the TV
- 16 Setting Up the TV
- 16 - Attaching the Stand
- 17 - Mounting on a Table
- 18 - Tidying Cables
- 19 - Mounting on a Wall

20 MAKING CONNECTIONS

- 20 Connecting to an Antenna or Cable
- 21 Connecting to a HD receiver, DVD Player, or VCR
- 21 - HDMI Connection
- 22 - DVI to HDMI Connection
- 23 - Component Connection
- 24 - Composite Connection
- 25 Connecting to a PC

- 26 - HDMI Connection or DVI to HDMI Connection
- 27 Connecting to an Audio System
- 27 - Digital Optical Audio Connection
- 28 Connecting a USB Drive

29 MAGIC REMOTE FUNCTIONS

- 30 Registering Magic Remote
- 30 How to Use Magic Remote
- 30 Precautions to Take

30 USING THE USER GUIDE

31 SPECIFICATIONS

33 MAINTENANCE

- 33 Cleaning Your TV
- 33 - Screen, Frame, Cabinet, and Stand
- 33 - Power Cord

33 TROUBLESHOOTING

NOTE

- Image shown may differ from your TV.
- Your TV's OSD (On Screen Display) may differ slightly from that shown in this manual.
- The available menus and options may differ from the input source or product model that you are using.
- New features may be added to this TV in the future.

INSTALLATION PROCEDURE

- 1 Open the package and make sure all the accessories are included.
- 2 Attach the stand to the TV set.
- 3 Connect an external device to the TV set.
- 4 Make sure the network connection is available.
You can use the TV network functions only when the network connection is made.

* When the TV is turned on for the first time after being shipped from the factory, initialization of the TV may take approximately one minute.

ASSEMBLING AND PREPARING

Unpacking

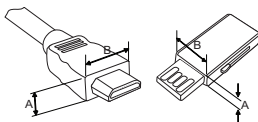
Check your product box for the following items. If there are any missing accessories, contact the local dealer where you purchased your product. The illustrations in this manual may differ from the actual product and item.

CAUTION

- Do not use any unapproved items to ensure the safety and product life span.
- Any damages or injuries by using unapproved items are not covered by the warranty.
- In case of some model, the thin film on screen is a part of the TV, So don't take it off.

NOTE

- The items supplied with your product may vary depending upon the model.
- Product specifications or contents of this manual may be changed without prior notice due to upgrade of product functions.
- For an optimal connection, HDMI cables and USB devices should have bezels less than 10 mm (0.39 inches) thick and 18 mm (0.7 inches) width.
- Use an extension cable that supports USB 2.0 if the USB cable or USB FLASH DRIVE does not fit into your TV's USB port.
- Use a certified cable with the HDMI logo attached. If you do not use a certified HDMI cable, the screen may not display or a connection error may occur.
- Recommended HDMI cable types (3 m or less)
 - High-Speed HDMI[®]/TM cable
 - High-Speed HDMI[®]/TM cable with Ethernet



*A ≤ 10 mm (0.39 inches)

*B ≤ 18 mm (0.7 inches)



**Magic Remote,
Batteries (AA)**
(See page 29.)



Owner's Manual



Cable Holder
(See page 18.)



Cinema 3D Glasses
The number of 3D glasses
may differ depending upon
the model or country.



Stand Base
(See page 16, 17.)



Stand Screws
4 EA, M4 x L20
(See page 17.)



Component Video Cable
(See page 23.)



Composite Video Cable
(See page 23, 24.)

Optional Extras

Optional extras can be changed or modified for quality improvement without any notification.

Contact your dealer for buying these items.

These devices work only with certain models.

The model name or design may be changed manufacturer's circumstances or policies.

AN-MR6**

Magic Remote

AG-F*DP**

Dual Play Glasses

AG-F***

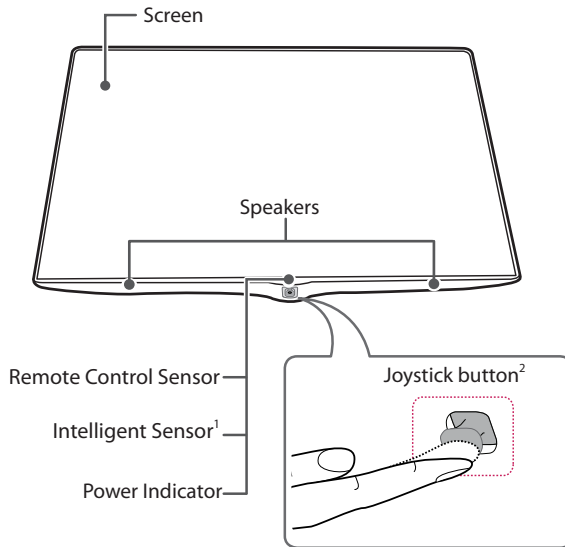
Cinema 3D Glasses

LG Audio Device

AN-VC550

Smart Camera

Parts and Buttons



- 1 Intelligent sensor - Adjusts the image quality and brightness based on the surrounding environment.
- 2 Joystick button is located below the screen of TV.





! NOTE

- You can set the LG Logo Light to be on or off by selecting **GENERAL** in the main menus.

Using the Joystick button

You can operate the TV by pressing the button or moving the joystick left, right, up, or down.

Basic functions

	Power On	When the TV is turned off, place your finger on the joystick button, press it once, and release it.
	Power Off	When the TV is turned on, place your finger on the joystick button, press it once for a few seconds, and release it. All running apps will close.
	Volume Control	Place your finger on the joystick button and move it left or right to adjust the volume level.
	Channels Control	Place your finger on the joystick button and move it up or down to adjust the channels.

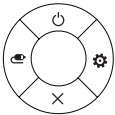




! NOTE

- Move the joystick button up, down, left, or right. Be careful not to press it. If you press it first, you may not be able to adjust the volume or scroll through the channels.

Adjusting the menu

When the TV is turned on, press the joystick button one time.

You can adjust the menu items moving the joystick button up, down, left, or right.

		POWER OFF	Turns the power off.
		SETTINGS	Accesses the quick settings.
		CLOSE	Clears on-screen displays and returns to TV viewing.
		INPUTS	Changes the input source.

Lifting and Moving the TV

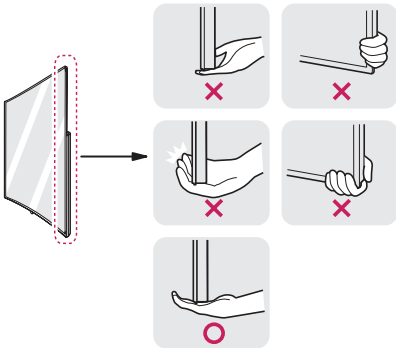
When moving or lifting the TV, read the following to prevent the TV from being scratched or damaged and for safe transportation regardless of its type and size.

⚠ CAUTION

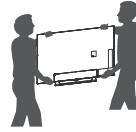
- Avoid touching the screen at all times, as this may result in damage to the screen.
- Do not place the product on the floor with its front facing down without using the curved packing brace. Failure to do so may result in damage to the screen.
- Move the TV in the box or packing material that the TV originally came in.
- Before moving or lifting the TV, disconnect the power cord and all cables.
- When holding the TV, the screen should face away from you to avoid damage.



- Hold the top and bottom of the TV frame firmly. Make sure not to hold the transparent part, speaker, or speaker grill area.



- Use at least two people to move a large TV.
- When transporting the TV by hand, hold the TV as shown in the following illustration.



- When handling the TV, be careful not to damage the protruding joystick button.
- When transporting the TV, do not expose the TV to jolts or excessive vibration.
- When transporting the TV, keep the TV upright; never turn the TV on its side or tilt towards the left or right.
- Do not apply excessive pressure to cause flexing / bending of frame chassis as it may damage screen.
- Be sure to keep your TV upright instead of laying or tilting it while moving the TV.

Setting Up the TV

You can mount your TV to a wall or attach the stand if you wish to place the TV on an entertainment center or other furniture.

Attaching the Stand

If you are not mounting the TV to a wall, use the following instructions to attach the stand.

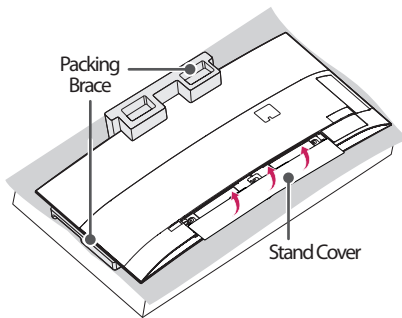
! CAUTION

- Make sure that the screws are fastened tightly. (If they are not fastened securely enough, the TV may tilt forward after being installed.)
- Do not tighten the screws with too much force; otherwise they may be damaged and come loose later.

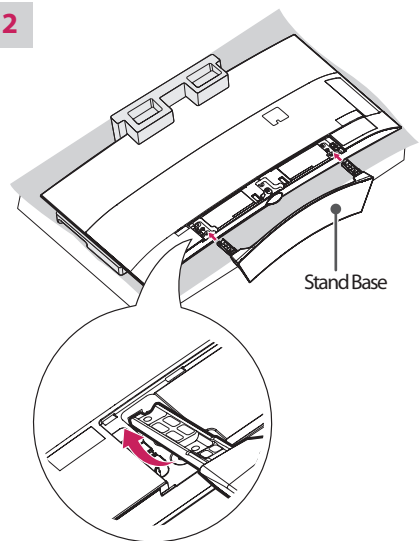
! NOTE

- Remove the stand before installing the TV on a wall mount by performing the stand attachment in reverse.

1



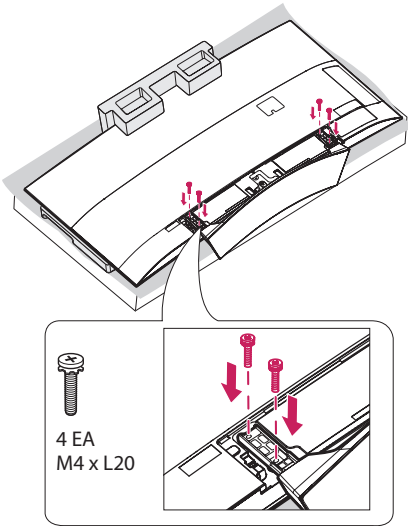
2



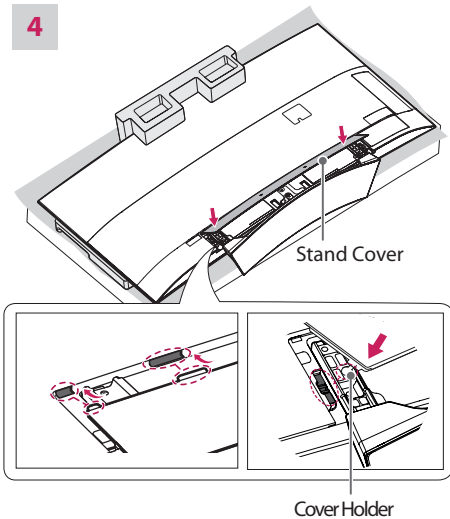
! CAUTION

- When assembling the stand, lay the packing brace on a table or product box and then place the TV with its screen facing down on the packing brace. Be sure to protect the screen from scratches. When there is no packing brace provided, make sure that you place the screen on soft clothing or a cushion.
- Do not place the TV without the stand attached into its upright position. The protruding Joystick Button may be damaged.

3



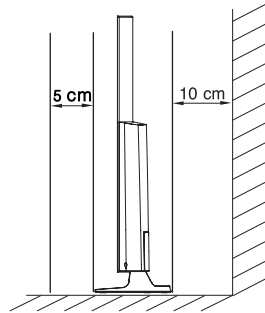
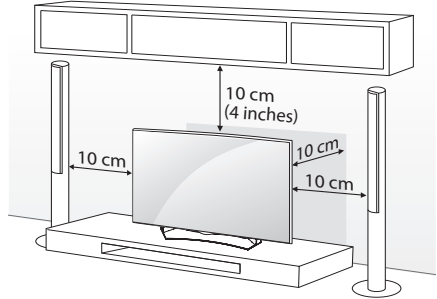
4



- 1 Insert the protruding parts of the stand cover into the holes.
- 2 Insert the cover holder of the stand cover into the holes until it clicks.
- 3 Press the stand cover gently so that the non-woven fabric inside is attached tightly.

Mounting on a Table

- 1 Lift and tilt the TV into its upright position on a table.
 - Leave a 10 cm (4 inches) (minimum) space from the wall for proper ventilation.

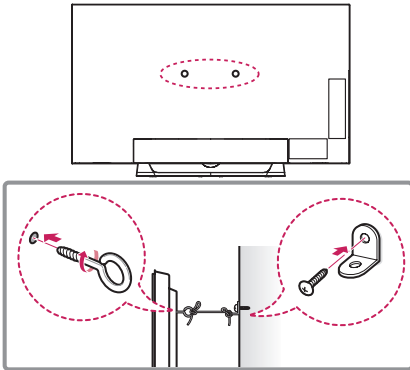


- 2 Connect the power cord to a wall outlet.

CAUTION

- Do not place the TV near or on sources of heat, as this may result in fire or other damage.

Securing the TV to a wall (optional)



- 1 Insert and tighten the eye-bolts, or TV brackets and bolts on the back of the TV.
 - If there are bolts inserted at the eye-bolts position, remove the bolts first.
- 2 Mount the wall brackets with the bolts to the wall. Match the location of the wall bracket and the eye-bolts on the rear of the TV.
- 3 Connect the eye-bolts and wall brackets tightly with a sturdy rope or cable. Make sure to keep the rope parallel to the flat surface.

! CAUTION

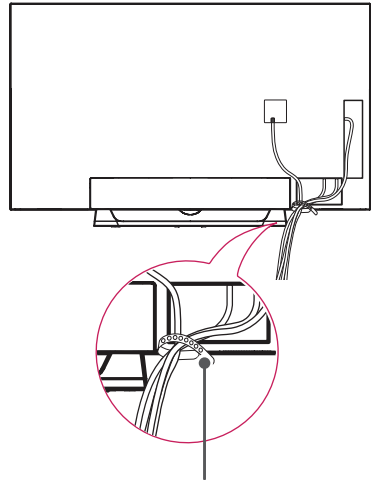
- Make sure that children do not climb on or hang on the TV.

! NOTE

- Use a platform or cabinet that is strong and large enough to support the TV securely.
- Brackets, bolts, and ropes are optional. You can obtain additional accessories from your local dealer.

Tidying Cables

Gather and bind the cables with the cable holder.



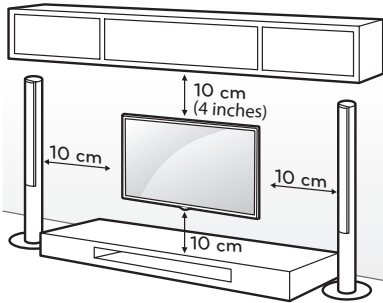
Cable Holder

! CAUTION

- Do not move the TV by holding the cable holder, as the cable holder may break, and injuries and damage to the TV may occur.

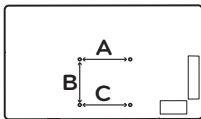
Mounting on a Wall

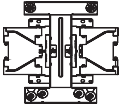
An optional wall mount can be used with your LG Television. Consult with your local dealer for a wall mount used by your TV model. Carefully attach the wall mount bracket at the rear of the TV. Install the wall mount bracket on a solid wall perpendicular to the floor. If you are attaching the TV to other building materials, please contact qualified personnel to install the wall mount. Detailed instructions will be included with the wall mount.



Make sure to use screws and wall mounts that meet the standard. Standard dimensions for the wall mount kits are described in the following table.

Model	55EG9100
A x B x C	200 x 340 x 195
Standard screw	M6
Number of screws	4
Wall mount bracket (optional)	OTW150



Wall mount bracket (optional)	
OTW150	

⚠ CAUTION

- Disconnect the power first, and then move or install the TV. Otherwise electric shock may occur.
- If you install the TV on a ceiling or slanted wall, it may fall and result in severe injury. Use an authorized LG wall mount and contact the local dealer or qualified personnel.
- Do not overtighten the screws as this may cause damage to the TV and void your warranty.
- Use the screws and wall mounts that meet the standard. Any damages or injuries by misuse or using an improper accessory are not covered by the warranty.

! NOTE

- Use the screws that are listed on the standard screw specifications.
- The wall mount kit includes an installation manual and necessary parts.
- The wall mount bracket is optional. You can obtain additional accessories from your local dealer.
- The length of screws may differ depending upon the wall mount. Make sure to use the proper length.
- For more information, refer to the manual supplied with the wall mount.

MAKING CONNECTIONS

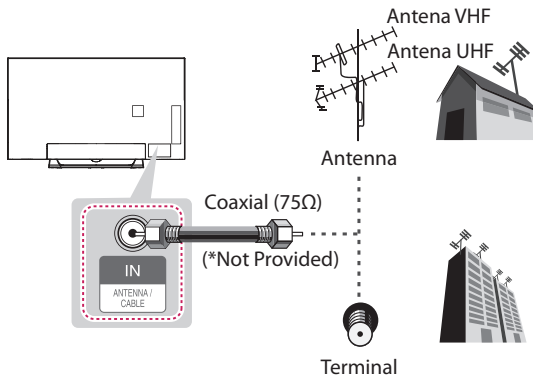
You can connect various external devices to the TV. Supported external devices are: HD receivers, DVD players, VCRs, audio systems, USB storage devices, PC, gaming devices, and other external devices. For more information on external device's connection, refer to the manual provided with each device.

! NOTE

- If you record a TV program on a DVD recorder or VCR, make sure to connect the TV signal input cable to the TV through a DVD recorder or VCR. For more information of recording, refer to the manual provided with the connected device.
- The external device connections shown may differ slightly from illustrations in this manual.
- Connect external devices to the TV regardless of the order of the TV port.
- If you connect a gaming device to the TV, use the cable supplied with the gaming device.
- Refer to the external equipment's manual for operating instructions.
- (Smart TV Only) The TV may be capable of operating without a set-top from a multichannel video programming distributor (MVPD).

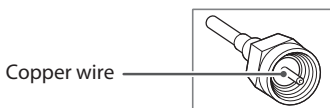
Connecting to an Antenna or Cable

Connect an antenna, cable, or cable box to watch TV while referring to the following. The illustrations may differ from the actual items and a RF cable is optional.



! CAUTION

- Make sure not to bend the copper wire of the RF cable.



- Complete all connections between devices, and then connect the power cord to the power outlet to prevent damage to your TV.

! NOTE

- Use a signal splitter to use more than 2 TVs.
- DTV Audio Supported Codec: MPEG, Dolby Digital.

Connecting to a HD receiver, DVD Player, or VCR

Connect a HD receiver, DVD Player, or VCR to the TV and select an appropriate input mode.

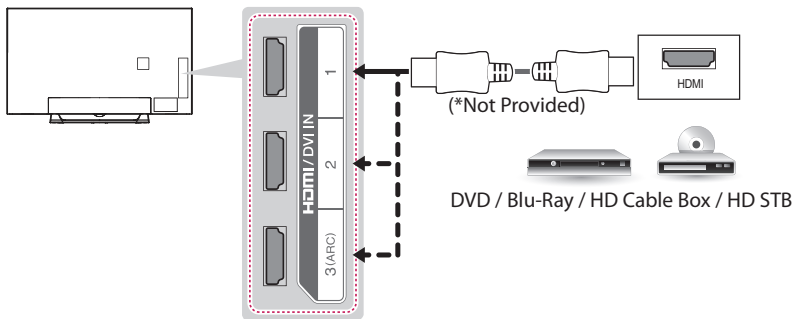
HDMI Connection

HDMI is the best way to connect a device.

Transmits the digital video and audio signals from an external device to the TV. Connect the external device and the TV with the HDMI cable as shown in the following illustration.

! NOTE

- Use the latest High Speed HDMI™ Cable that supports CEC (Customer Electronics Control) function.
- High Speed HDMI™ Cables are tested to carry an HD signal up to 1080p and higher.
- HDMI Audio Supported Format: PCM (32 kHz / 44.1 kHz / 48 kHz / 96 kHz / 192 kHz)



ARC (Audio Return Channel)

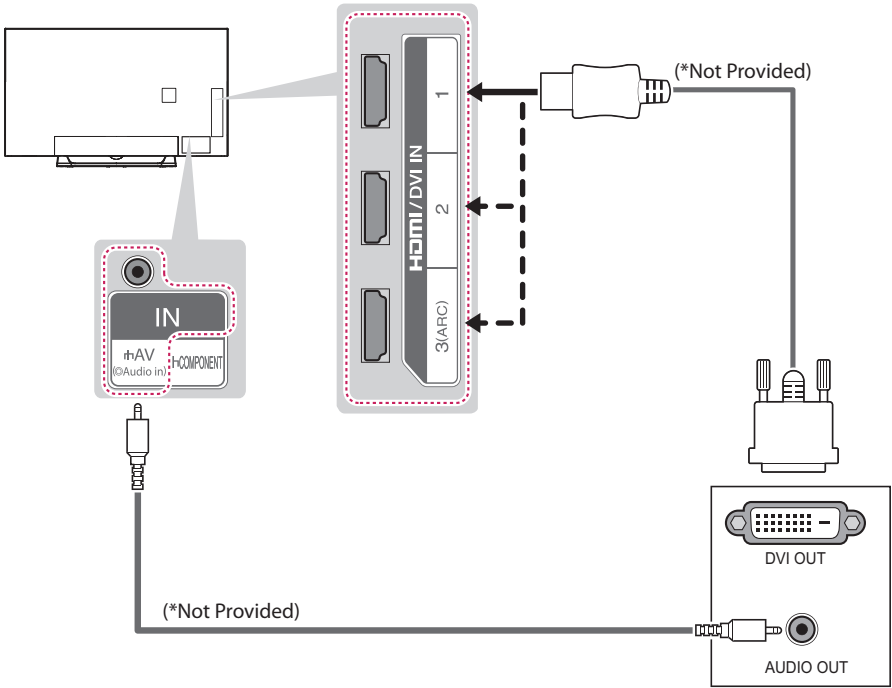
- When connected with a high-speed HDMI cable, digital audio can be sent to a compatible device without an additional optical audio cable.
- ARC is only supported on the **HDMI / DVI IN 3 (ARC)** port. An external audio device that supports ARC should be connected to **HDMI / DVI IN 3 (ARC)** if you wish to use ARC.

DVI to HDMI Connection

Transmits the digital video signal from an external device to the TV. Connect the external device and the TV with the DVI-HDMI cable as shown in the following illustration. To transmit an audio signal, connect an audio cable.

NOTE

- When using the HDMI/DVI cable, only Single link is supported.



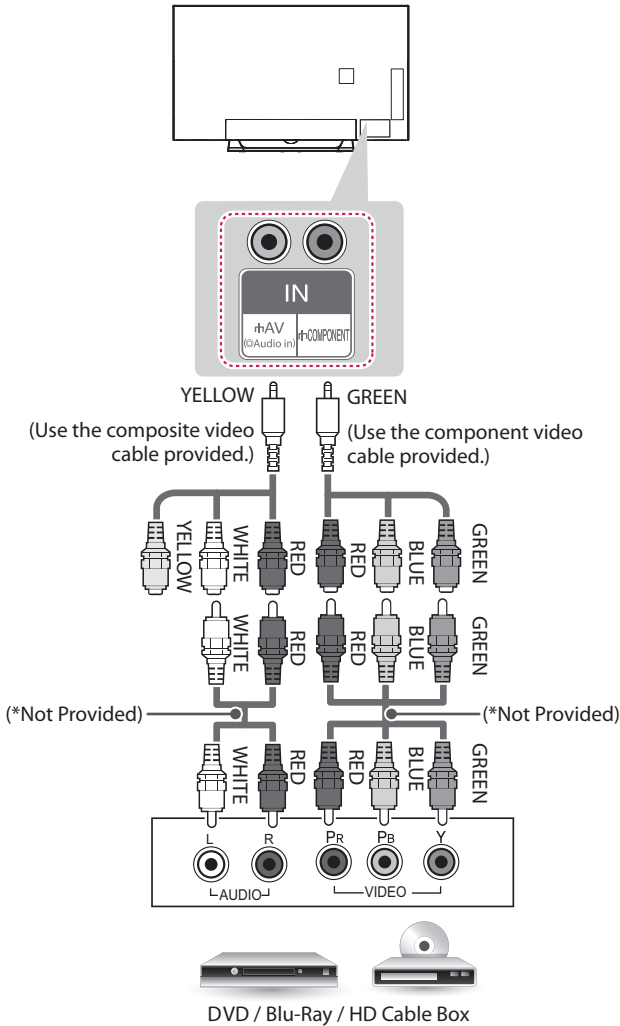
ENGLISH

Component Connection

Transmits analog video and audio signals from an external device to the TV. Connect the external device and the TV with a component cable as shown in the following illustration.

NOTE

- If cables are installed incorrectly, it could cause the image to display in black and white or with distorted color.
- **Check to ensure the cables are matched with the corresponding color connection.**

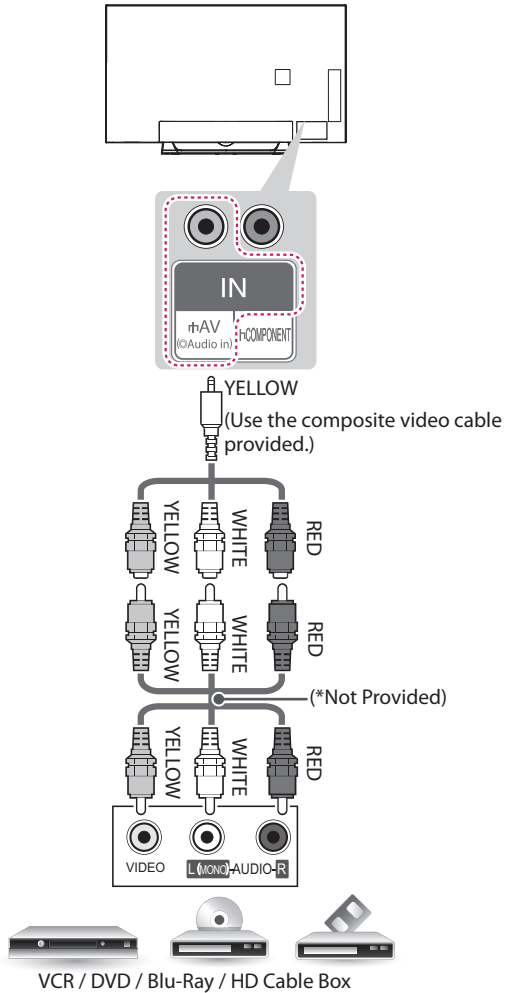


Composite Connection

Transmits analog video and audio signals from an external device to the TV. Connect the external device and the TV with the composite cable as shown in the following illustration.

NOTE

- If you have a mono VCR, connect the audio cable from the VCR to the AUDIO L/MONO jack of the TV.
- **Check to ensure the cables are matched with the corresponding color connection.**



Connecting to a PC



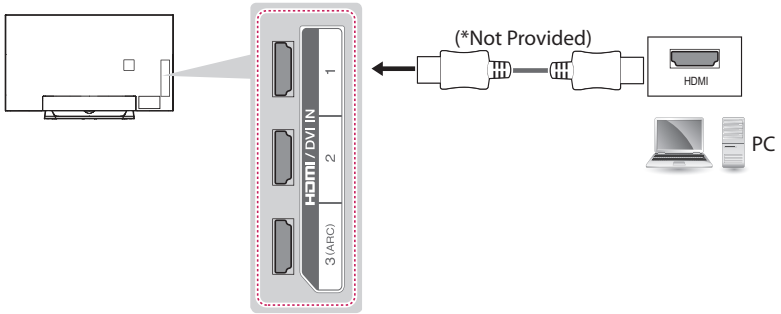
NOTE

- Use an HDMI connection for the best image quality.
- Depending upon the graphics card, DOS mode video may not work if a HDMI to DVI Cable is in use.
- In PC mode, there may be noise associated with the resolution, vertical pattern, contrast or brightness. If noise is present, change the PC output to another resolution, change the refresh rate to another rate or adjust the brightness and contrast on the PICTURE menu until the picture is clear.
- The synchronization input form for Horizontal and Vertical frequencies is separate.
- Depending upon the graphics card, some resolution settings may not allow the image to be positioned on the screen properly.
- If you are using DVI out from a PC, you have to connect analog audio separately. Refer to the instructions on the next page.
- When using the HDMI/DVI cable, only Single link is supported.

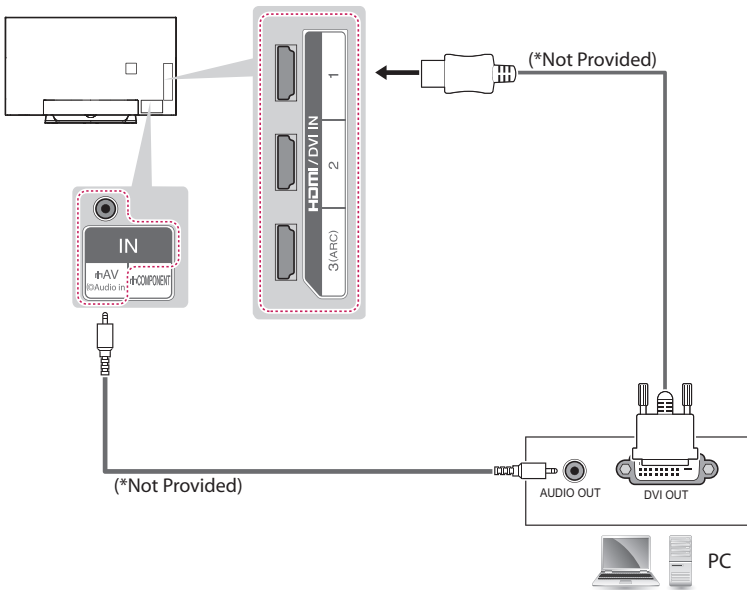
HDMI Connection or DVI to HDMI Connection

Choose method A or B to make connection.

Method A HDMI Connection



Method B DVI to HDMI Connection



Connecting to an Audio System

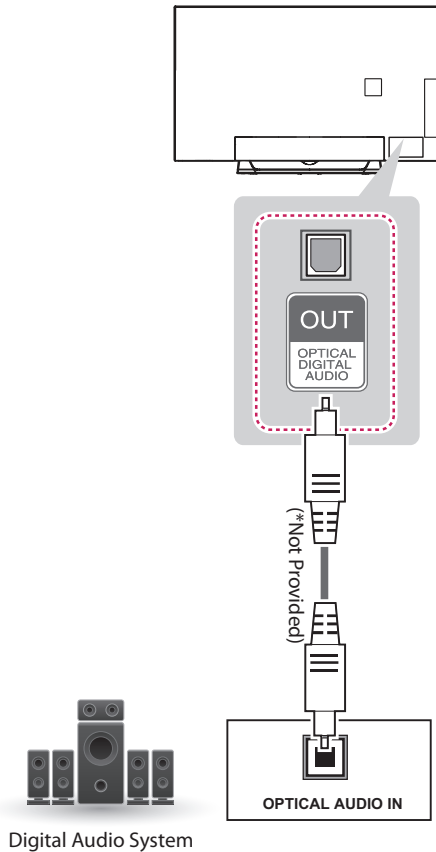
You may use an optional external audio system instead of the built-in speaker.

Digital Optical Audio Connection

Transmits a digital audio signal from the TV to an external device. Connect the external device and the TV with the optical audio cable as shown in the following illustration.

! NOTE

- Do not look into the optical output port. Looking at the laser beam may damage your vision.
- Audio with ACP (Audio Copy Protection) function may block digital audio output.



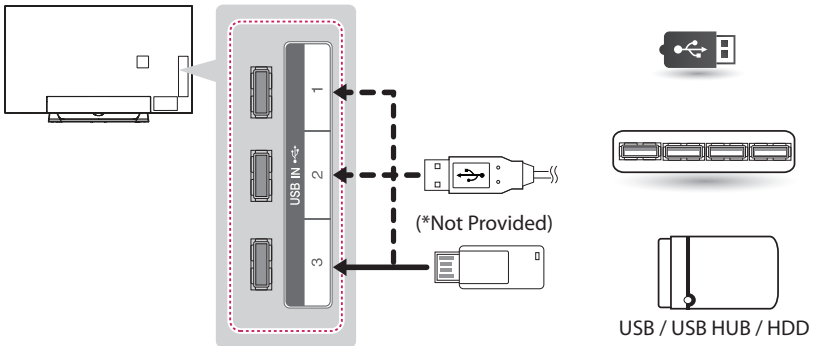
Connecting a USB Drive

Connect a USB storage device such as a USB flash thumbdrive, external hard drive, or a USB memory card reader to the TV and access the SmartShare menu to use various multimedia files.

! NOTE

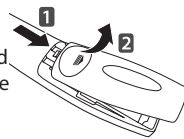
- Some USB Hubs may not work. If a USB device connected using a USB Hub is not detected, connect it directly to the USB port on the TV.

Choose any USB input port to connect.
It does not matter which port you use.



MAGIC REMOTE FUNCTIONS

When the message *Magic remote control battery is low. Change the battery.* is displayed, replace the batteries. To install batteries, open the battery cover, replace batteries (1.5 V AA) matching ⊕ and ⊖ ends to the label inside the compartment, and close the battery cover. Failure to match the correct polarities of the battery may cause the battery to burst or leak, resulting in fire, personal injury, or ambient pollution. Be sure to point the remote control at the remote control sensor on the TV. To remove the batteries, perform the installation actions in reverse.



CAUTION

- Do not mix old and new batteries, as this may damage the remote control.

This remote uses infrared light. When in use, it should be pointed in the direction of the TV's remote sensor.

(POWER) Turns the TV on or off.
(INPUT) Changes the input source.
 * Pressing and holding the **(INPUT)** button displays all the lists of external inputs.
Number buttons Enters numbers.
(DASH) Inserts a dash between numbers such as 2-1 and 2-2.
LIST Accesses the saved channel list.
INFO Views the information of the current channels and screen.

+ VOL - Adjusts the volume level.
(MUTE) Mutes all sounds.
 * By pressing and holding the **(MUTE)** button, video descriptions function will be enabled.
 * **SAP** (Secondary Audio Program) Feature can also be enabled by pressing the **(MUTE)** key.
(Home) Accesses the Home menu.
CH Scrolls through the saved channels.
(BACK) Returns to the previous screen.
EXIT Clears all on-screen displays and returns to TV viewing.

(Wheel (OK)) Press the center of the Wheel button to select a menu. You can change channels by using the Wheel button.
 △ ▽ ◀ ▶ (up/down/left/right) Press the up, down, left or right button to scroll the menu. If you press △ ▽ ◀ ▶ buttons while the pointer is in use, the pointer will disappear from the screen and Magic Remote will operate like a general remote control. To display the pointer on the screen again, shake Magic Remote to the left and right.
(Q. Settings) Accesses the Quick Settings.
 * Pressing and holding the **(Q. Settings)** button displays the **Advanced** menu.
(Screen remote) Displays the Screen Remote.
 * Accesses the Universal Control Menu in some regions.
3D Used for viewing 3D video.

(Voice recognition)
 Network connection is required to use the voice recognition function.

- Press the voice recognition button.
- Speak when the voice display window appears on the TV screen.

 * Use the Magic Remote no further than 10 cm (4 inches) from your face.
 * The voice recognition may fail when you speak too fast or too slowly.
 * The recognition rate may vary depending upon the user's characteristics (voice, pronunciation, intonation, and speed) and the environment (noise and TV volume).

CAPTION Activates or deactivates the subtitles.
Color buttons These access special functions in some menus. (Red, Green, Yellow, Blue)

Registering Magic Remote

How to register the Magic Remote



(Wheel)

To use the Magic Remote, first pair it with your TV.
 1 Put batteries into the Magic Remote and turn the TV on.
 2 Point the Magic Remote at your TV and press the **Wheel (OK)** on the remote control.
 * If the TV fails to register the Magic Remote, try again after turning the TV off and back on.

How to deregister the Magic Remote



(BACK)



(Home)

Press the **Back (BACK)** and **Home (Home)** at the same time, for five seconds, to unpair the Magic Remote with your TV.
 » Pressing and holding the **EXIT** button will let you cancel and re-register Magic Remote at once.

How to Use Magic Remote



- Shake the Magic Remote slightly to the right and left or press **Home (Home)**, **INPUT**, **3D** buttons to make the pointer appear on the screen. (In some TV models, the pointer will appear when you turn the Wheel button.)
- If the pointer has not been used for a certain period of time or Magic Remote is placed on a flat surface, then the pointer will disappear.
- If the pointer does not move as you wish, shake Magic Remote to the left and right. The pointer will move to the center of the screen.
- The Magic Remote depletes batteries faster than a normal remote due to the additional features.

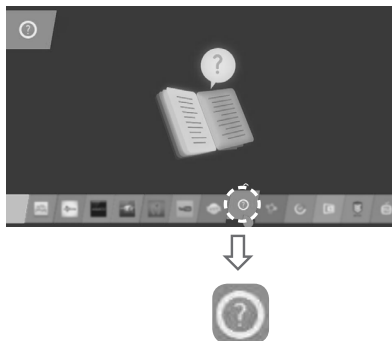
Precautions to Take

- Use the remote control within the specified range (within 10 m or 32.8 ft.) You may experience communication failures when using the device outside the coverage area or if there are obstacles within the coverage area.
- You may experience communication failures depending on the accessories. Devices such as a microwave oven and wireless LAN operate in the same frequency band (2.4 GHz) as the Magic Remote. This may cause communication failures.
- The Magic Remote may not work properly if a wireless router (AP) is within 1 meter (3.28 ft) of the TV. Your wireless router should be more than 1 m (3.28 ft.) away from the TV.
- Do not disassemble or heat the batteries.
- Do not drop the batteries. Avoid extreme shocks to the batteries.
- Inserting the battery in the wrong way may result in explosion.

USING THE USER GUIDE

User Guide allows you to easily access detailed TV information.

- 1 Press **Home (Home)** button to access the Home menu.
- 2 Select **User Guide** and press the **Wheel (OK)** button.



SPECIFICATIONS

Product specifications may be changed without prior notice due to upgrade of product functions.

Power requirement	AC 120 V ~ 50 / 60 Hz	
Television System	NTSC-M, ATSC, 64 & 256 QAM	
Program Coverage	VHF 2-13, UHF 14-69, CATV 1-135, DTV 2-69, CADTV 1-135	
External Antenna Impedance	75 Ω	
Environment condition	Operating Temperature	0 °C to 40 °C (32 °F to 104 °F)
	Operating Humidity	Less than 80 %
	Storage Temperature	-20 °C to 60 °C (-4 °F to 140 °F)
	Storage Humidity	Less than 85 %



MODELS		55EG9100 (55EG9100-UB)
Dimensions W x H x T (D)	With stand	1,225 x 760 x 208 (mm)
		48.2 x 29.9 x 8.1 (inches)
	Without stand	1,225 x 719 x 48.9 (87.3) (mm)
		48.2 x 28.3 x 1.9 (3.4) (inches)
Weight	With stand	15.0 kg (33.0 lbs)
	Without stand	12.8 kg (28.2 lbs)
Current value / Power consumption		3.2 A / 320 W

Wireless module (LGSBW41) Specifications			
Wireless Lan		Bluetooth	
Standard	IEEE 802.11a/b/g/n	Standard	Bluetooth Version 4.0
Frequency Range	2400 to 2483.5 MHz 5150 to 5250 MHz 5725 to 5850 MHz	Frequency Range	2400 to 2483.5 MHz
Output Power (Max.)	802.11a: 11.5 dBm 802.11b: 11 dBm 802.11g: 10.5 dBm 802.11n - 2.4 GHz: 11 dBm 802.11n - 5 GHz: 12.5 dBm	Output Power (Max.)	10 dBm or Lower
<ul style="list-style-type: none"> Contains FCC ID: BEJLGSBW41 / Contains IC: 2703H-LGSBW41 			

- Because band channel used by the country could be different, the user can not change or adjust the operating frequency and this product is set for the regional frequency table.
- This device should be installed and operated with minimum distance 20 cm (7.8 inches) between the device and your body. And this phrase is for the general statement for consideration of user environment.

MAINTENANCE

Cleaning Your TV

Clean your TV regularly to keep it at peak performance and to extend the product lifespan.



CAUTION

- Make sure to turn the power off and disconnect the power cord and all other cables first.
- When the TV is left unattended or unused for a long time, disconnect the power cord from the wall outlet to prevent possible damage from lightning or power surges.

Screen, Frame, Cabinet, and Stand

To remove dust or light dirt, wipe the surface with a dry, clean, and soft cloth.

To remove major dirt, wipe the surface with a soft cloth dampened in clean water or a diluted mild detergent. Then wipe immediately with a dry cloth.



CAUTION

- Do not push, rub, or hit the surface with your fingernail or a sharp object, as this may result in scratches on the screen and image distortions.
- Do not use any chemicals, such as waxes, benzene, alcohol, thinners, insecticides, air fresheners, or lubricants, as these may damage the screen's finish and cause discoloration.
- Do not spray liquid onto the surface. If water enters the TV, it may result in fire, electric shock, or malfunction.

Power Cord

Remove the accumulated dust or dirt on the power cord regularly.

TROUBLESHOOTING

Problem	Solution
Cannot control the TV with the remote control.	<ul style="list-style-type: none"> • Check the remote control sensor on the product and try again. • Check if there is any obstacle between the product and the remote control. • Check if the batteries are still working and properly installed (⊕ to ⊕, ⊖ to ⊖).
No image display and no sound is produced.	<ul style="list-style-type: none"> • Check if the product is turned on. • Check if the power cord is connected to a wall outlet. • Check if there is a problem in the wall outlet by connecting other products.
The TV turns off suddenly.	<ul style="list-style-type: none"> • Check the power control settings. The power supply may be interrupted. • Check if the Sleep Timer/Timer Power off is activated in the TIMERS settings. • If there is no signal while the TV is on, the TV will turn off automatically after 15 minutes of inactivity.



LG

Life's Good

Declaration of Conformity

Trade Name	LG
Model	55EG9100-UB
Responsible Party	LG Electronics Inc.
Address	1000 Sylvan Ave. Englewood Cliffs NJ 07632 U.S.A
TEL	201 - 266 - 2534

LG Customer Information Center

For inquires or comments, visit www.lg.com or call;

1-888-542-2623	CANADA
1-800-243-0000	USA, Consumer User
1-888-865-3026	USA, Commercial User

Register your product online!

www.lg.com

The model and serial numbers of the TV are located on the back and one side of the TV.

Record them below should you ever need service.

MODEL _____

SERIAL _____



This product qualifies for ENERGY STAR® in the factory default (Home configuration) setting.

Changing the factory default settings or enabling other features may increase power consumption that could exceed the limits necessary to qualify for ENERGY STAR®.

Refer to ENERGY STAR.gov for more information on the ENERGY STAR® program.



OWNER'S MANUAL

EXTERNAL CONTROL DEVICE SETUP

Please read this manual carefully before operating the set and retain it for future reference.

KEY CODES

- This feature is not available for all models.

Code (Hexa)	Function	Note	Code (Hexa)	Function	Note
00	CH +, PR +	R/C Button	53	List	R/C Button
01	CH -, PR -	R/C Button	5B	Exit	R/C Button
02	Volume +	R/C Button	60	PIP(AD)	R/C Button
03	Volume -	R/C Button	61	Blue	R/C Button
06	> (Arrow Key / Right Key)	R/C Button	63	Yellow	R/C Button
07	< (Arrow Key / Left Key)	R/C Button	71	Green	R/C Button
08	Power	R/C Button	72	Red	R/C Button
09	Mute	R/C Button	79	Ratio / Aspect Ratio	R/C Button
0B	Input	R/C Button	91	AD (Audio Description)	R/C Button
0E	SLEEP	R/C Button	7A	User Guide	R/C Button
0F	TV, TV/RAD	R/C Button	7C	Smart / Home	R/C Button
10 - 19	* Number Key 0 - 9	R/C Button	7E	SIMPLINK	R/C Button
1A	Q.View / Flashback	R/C Button	8E	▶▶ (Forward)	R/C Button
1E	FAV (Favorite Channel)	R/C Button	8F	◀◀ (Rewind)	R/C Button
20	Text (Teletext)	R/C Button	AA	Info	R/C Button
21	T. Opt (Teletext Option)	R/C Button	AB	Program Guide	R/C Button
28	Return (BACK)	R/C Button	B0	▶ (Play)	R/C Button
30	AV (Audio / Video) Mode	R/C Button	B1	■ (Stop / File List)	R/C Button
39	Caption/Subtitle	R/C Button	BA	(Freeze / Slow Play / Pause)	R/C Button
40	∧ (Arrow Key / Cursor Up)	R/C Button	BB	Soccer	R/C Button
41	∨ (Arrow Key / Cursor Down)	R/C Button	BD	● (REC)	R/C Button
42	My Apps	R/C Button	DC	3D	R/C Button
43	Menu / Settings	R/C Button	99	AutoConfig	R/C Button
44	OK / Enter	R/C Button	9F	App / *	R/C Button
45	Q.Menu	R/C Button			
4C	List, - (ATSC Only)	R/C Button			

* Key code 4C (0x4C) is available on ATSC/ISDB models which use major/minor channel.
(For South Korea, Japan, North America, Latin America except Colombia models)

EXTERNAL CONTROL DEVICE SETUP

- Image shown may differ from your TV.

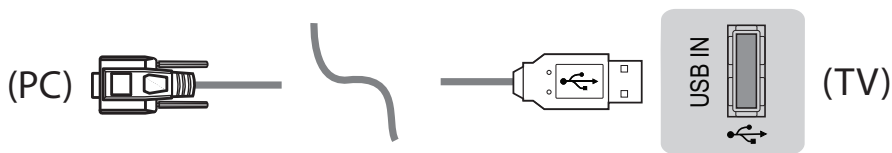
Connect the USB to Serial converter/RS-232C input jack to an external control device (such as a computer or an A/V control system) to control the product's functions externally.

Note: The type of control port on the TV can be different between model series.

- * Please be advised that not all models support this type of connectivity.
- * Cable is not provided.

USB to Serial converter with USB Cable

USB Type

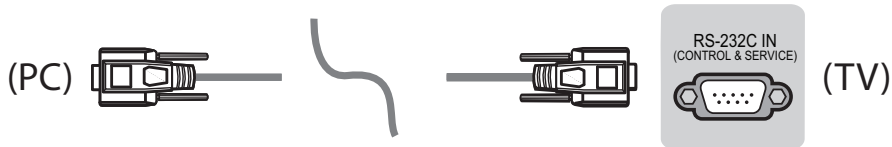


- LGTV supports PL2303 chip-based (Vendor ID : 0x0557, Product ID : 0x2008) USB to serial converter which is not made nor provided by LG.
- It can be purchased from computer stores that carry accessories for IT support professionals.

RS-232C With RS232C Cable

DE9 (D-Sub 9pin) Type

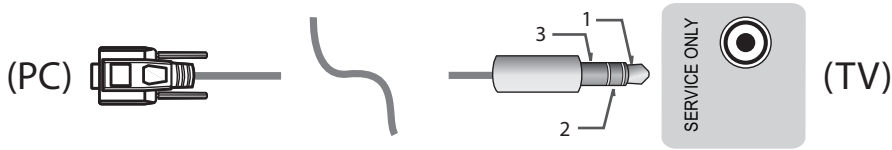
- You need to purchase the RS-232C (DE9, D-Sub 9pin female-to-female type) to RS-232C cable required for the connection between the PC and the TV, which is specified in the manual.



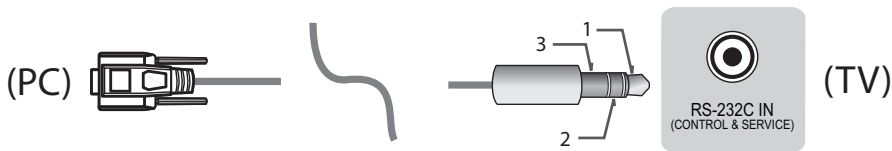
The connection interface may differ from your TV.

Phone jack Type

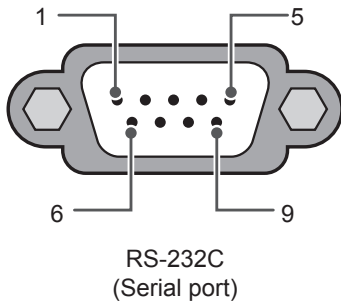
- You need to purchase the phone-jack to RS-232 cable required for the connection between the PC and the TV, which is specified in the manual.
- * For other models, connect to the USB port.
- * The connection interface may differ from your TV.



- or -

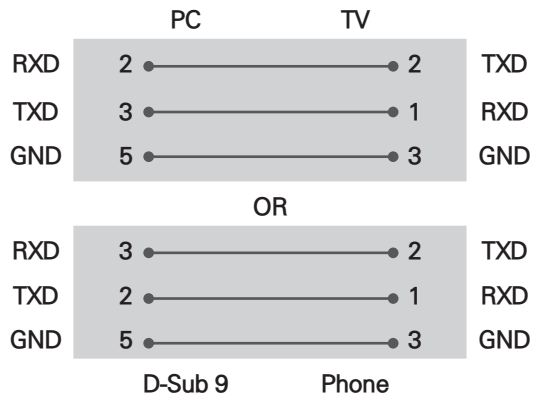


Customer Computer



RS-232C configurations

3-Wire Configurations(Not standard)



Set ID

For Set ID number, see "Real Data Mapping" on p.6

1. Press **SETTINGS** to access the main menus.
2. Press the Navigation buttons to scroll to (***General** → **About this TV or OPTION**) and press **OK**.
3. Press the Navigation buttons to scroll to **SET ID** and press **OK**.
4. Scroll left or right to select a set ID number and select **CLOSE**. The adjustment range is 1-99.
5. When you are finished, press **EXIT**.
 - * (Depending on model)

Communication Parameters

- Baud rate : 9600 bps (UART)
- Data length : 8 bits
- Parity : None
- Stop bit : 1 bit
- Communication code : ASCII code
- Use a crossed (reverse) cable.

Command reference list

(Depending on model)

	COMMAND1	COMMAND2	DATA (Hexadecimal)		COMMAND1	COMMAND2	DATA (Hexadecimal)
01. Power*	k	a	00 to 01	15. Balance	k	t	00 to 64
02. Aspect Ratio	k	c	(p.7)	16. Color (Colour) Temperature	x	u	00 to 64
03. Screen Mute	k	d	(p.7)	17. ISM Method (Only Plasma TV)	j	p	(p.8)
04. Volume Mute	k	e	00 to 01	18. Equalizer	j	v	(p.8)
05. Volume Control	k	f	00 to 64	19. Energy Saving	j	q	00 to 05
06. Contrast	k	g	00 to 64	20. Tune Command	m	a	(p.9)
07. Brightness	k	h	00 to 64	21. Channel (Programme) Add/Del(Skip)	m	b	00 to 01
08. Color/ Colour	k	i	00 to 64	22. Key	m	c	Key Codes
09. Tint	k	j	00 to 64	23. Control Backlight, Control Panel Light	m	g	00 to 64
10. Sharpness	k	k	00 to 32	24. Input select (Main)	x	b	(p.11)
11. OSD Select	k	l	00 to 01	25. 3D (Only 3D models)	x	t	(p.11)
12. Remote Control Lock Mode	k	m	00 to 01	26. Extended 3D (Only 3D models)	x	v	(p.11)
13. Treble	k	r	00 to 64	27. Auto Configure	j	u	(p.12)
14. Bass	k	s	00 to 64				

* Note: During playing or recording media, all commands except Power (ka) and Key (mc) are not executed and treated as NG.

With RS232C cable, TV can communicate "ka command" in power-on or power-off status. but with USB-to-Serial converter cable, the command works only if TV is on.

Transmission / Receiving Protocol

Transmission

[Command1][Command2][][Set ID][][Data][Cr]

[Command 1] : First command to control the TV. (j, k, m or x)

[Command 2] : Second command to control the TV.

[Set ID] : You can adjust the [Set ID] to choose desired monitor ID number in option menu.

Adjustment range in TV is 1 to 99. If [Set ID] value is selected to '0', every connected set can be controlled.

* [Set ID] is indicated as decimal (1 to 99) on menu and as Hexadecimal (0x00 to 0x63) on transmission/receiving protocol.

[DATA] : To transmit command data (hexadecimal). Transmit 'FF' data to read status of command.

[Cr] : Carriage Return - ASCII code '0x0D'

[] : Space – ASCII code '0x20'

OK Acknowledgement

[Command2][][Set ID][][OK][Data][x]

* The set transmits ACK (acknowledgement) based on this format when receiving normal data. At this time, if the data is data read mode, it indicates present status data. If the data is data write mode, it returns the data of the PC computer.

Error Acknowledgement

[Command2][][Set ID][][NG][Data][x]

* The set transmits ACK (acknowledgement) based on this format when receiving abnormal data from non-viable functions or communication errors.

Data 00: Illegal Code

Real data mapping (Hexadecimal to Decimal)

* When you enter the [data] in hexadecimal, refer to following conversion table.

* Channel Tune (ma) Command uses two-byte hexadecimal value([data]) to select channel number.

00 : Step 0	32 : Step 50 (Set ID 50)	FE : Step 254
01 : Step 1 (Set ID 1)	33 : Step 51 (Set ID 51)	FF : Step 255
...
0A : Step 10 (Set ID 10)	63 : Step 99 (Set ID 99)	01 00 : Step 256
...
0F : Step 15 (Set ID 15)	C7 : Step 199	27 0E : Step 9998
10 : Step 16 (Set ID 16)	C8 : Step 200	27 0F : Step 9999
...

* Commands may work differently depending on model and signal.

01. Power (Command: k a)

- ▶ To control Power *On or Off of the set.

Transmission[k][a][][Set ID][][Data][Cr]

Data 00 : Power Off 01 : *Power On

Ack [a][][Set ID][][OK/NG][Data][x]

- ▶ To Show TV is Power On or *Off

Transmission [k][a][][Set ID][][FF][Cr]

Ack [a][][Set ID][][OK][Data][x]

* Similarly, if other functions transmit 'FF' data based on this format, Acknowledgement feedback presents status about each function.

02. Aspect Ratio (Command: k c)

(Main Picture Size)

- ▶ To adjust the screen format. (Main picture format)
You can also adjust the screen format using the Aspect Ratio in the Q.MENU. or PICTURE menu.

Transmission [k][c][][Set ID][][Data][Cr]

Data 01 : Normal screen (4:3)	07 : 14:9 (Europe, Colombia, Mid-East, Asia except South Korea and Japan)
02 : Wide screen (16:9)	09 : * Just Scan
04 : Zoom	0B : Full Wide
05 : Zoom 2 (Latin America except Colombia Only)	(Europe, Colombia, Mid- East, Asia except South Korea and Japan)
06 : Set by Program/ Original	10 to 1F : Cinema Zoom 1 to 16 0c : 21:9 (Depending on model)

Ack [c][][Set ID][][OK/NG][Data][x]

- * Using the PC input, you select either 16:9 or 4:3 screen aspect ratio.
- * In DTV/HDMI/Component mode (high-definition), Just Scan is available.
- * Full wide mode may work differently based on model and is supported for DTV fully, and ATV, AV partially.

03. Screen Mute (Command: k d)

- ▶ To select screen mute on/off.

Transmission [k][d][][Set ID][][Data][Cr]

Data 00 : Screen mute off (Picture on)
Video mute off
01 : Screen mute on (Picture off)
10 : Video mute on

Ack [d][][Set ID][][OK/NG][Data][x]

- * In case of video mute on only, TV will display On Screen Display(OSD). But, in case of Screen mute on, TV will not display OSD.

04. Volume Mute (Command: k e)

- ▶ To control volume mute on/off.
You can also adjust mute using the MUTE button on remote control.

Transmission [k][e][][Set ID][][Data][Cr]

Data 00 : Volume mute on (Volume off)
01 : Volume mute off (Volume on)

Ack [e][][Set ID][][OK/NG][Data][x]

05. Volume Control (Command: k f)

- ▶ To adjust volume.
You can also adjust volume with the volume buttons on remote control.

Transmission [k][f][][Set ID][][Data][Cr]

Data Min : 00 to Max : 64

Ack [f][][Set ID][][OK/NG][Data][x]

06. Contrast (Command: k g)

- ▶ To adjust screen contrast.
You can also adjust contrast in the PICTURE menu.

Transmission [k][g][][Set ID][][Data][Cr]

Data Min : 00 to Max : 64

Ack [g][][Set ID][][OK/NG][Data][x]

07. Brightness (Command: k h)

- ▶ To adjust screen brightness.
You can also adjust brightness in the PICTURE menu.

Transmission [k][h][][Set ID][][Data][Cr]

Data Min : 00 to Max : 64

Ack [h][][Set ID][][OK/NG][Data][x]

08. Color/Colour (Command: k i)

- ▶ To adjust the screen Color(Colour).
You can also adjust colour in the PICTURE menu.

Transmission [k][i][][Set ID][][Data][Cr]

Data Min : 00 to Max : 64

Ack [i][][Set ID][][OK/NG][Data][x]

09. Tint (Command: k j)

- ▶ To adjust the screen tint.
You can also adjust tint in the PICTURE menu.

Transmission [k][j][][Set ID][][Data][Cr]

Data Red : 00 to Green : 64

Ack [j][][Set ID][][OK/NG][Data][x]

10. Sharpness (Command: k k)

- ▶ To adjust the screen sharpness.
You can also adjust sharpness in the PICTURE menu.

Transmission [k][k][][Set ID][][Data][Cr]

Data Min : 00 to Max : 32

Ack [k][][Set ID][][OK/NG][Data][x]

11. OSD Select (Command: k l)

- ▶ To select OSD (On Screen Display) on/off when controlling remotely.

Transmission [k][l][][Set ID][][Data][Cr]

Data 00 : OSD off 01 : OSD on

Ack [l][][Set ID][][OK/NG][Data][x]

12. Remote control lock mode (Command: k m)

- ▶ To lock the front panel controls on the monitor and remote control.

Transmission [k][m][][Set ID][][Data][Cr]

Data 00 : Lock off 01 : Lock on

Ack [m][][Set ID][][OK/NG][Data][x]

- * If you are not using the remote control, use this mode.
When main power is off & on (plug-off and plug-in, after 20 - 30 seconds), external control lock is released.
- * In the standby mode (DC off by off timer or 'ka', 'mc' command), and if key lock is on, TV will not turn on by power on key of IR & Local Key.

13. Treble (Command: k r)

- ▶ To adjust treble.
You can also adjust in the AUDIO menu.

Transmission [k][r][][Set ID][][Data][Cr]

Data Min : 00 to Max : 64

Ack [r][][Set ID][][OK/NG][Data][x]

* (Depending on model)

14. Bass (Command: k s)

- ▶ To adjust Bass.
You can also adjust in the AUDIO menu.

Transmission [k][s][][Set ID][][Data][Cr]

Data Min : 00 to Max : 64

Ack [s][][Set ID][][OK/NG][Data][x]

* (Depending on model)

15. Balance (Command: k t)

- ▶ To adjust balance.
You can also adjust balance in the AUDIO menu.

Transmission [k][t][][Set ID][][Data][Cr]

Data Min : 00 to Max : 64

Ack [t][][Set ID][][OK/NG][Data][x]

16. Color(Colour) Temperature (Command: x u)

- ▶ To adjust colour temperature. You can also adjust Color(Colour) Temperature in the PICTURE menu.

Transmission [x][u][][Set ID][][Data][Cr]

Data Min : 00 to Max : 64

Ack [u][][Set ID][][OK/NG][Data][x]

17. ISM Method (Command: j p) (Only Plasma TV)

- ▶ To control the ISM method. You can also adjust ISM Method in OPTION menu.

Transmission [j][p][][Set ID][][Data][Cr]

Data Min : 02: Orbiter

08: Normal

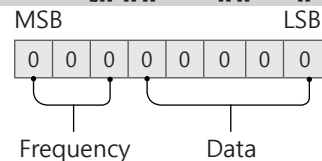
20: Color(Colour) Wash

Ack [p][][Set ID][][OK/NG][Data][x]

18. Equalizer (Command : j v)

- ▶ Adjust EQ of the set.

Transmission [j][v][][Set ID][][Data][Cr]



7	6	5	Frequency	4	3	2	1	0	Step
0	0	0	1st Band	0	0	0	0	0	0(decimal)
0	0	1	2nd Band	0	0	0	0	1	1(decimal)
0	1	0	3rd Band
0	1	1	4th Band	0	0	0	1	1	19(decimal)

1	0	0	5th Band	0	0	1	0	1	20(decimal)
---	---	---	----------	---	---	---	---	---	-------------

Acknowledgement [v][][Set ID][][OK/NG][Data][x]

* It depends on model, and can adjust when sound mode is EQ adjustable value.

19. Energy Saving (Command: j q)

► To reduce the power consumption of the TV. You can also adjust Energy Saving in PICTURE menu.

Transmission [j][q][][Set ID][][Data][Cr]

Data

- 00 : Off
- 01 : Minimum
- 02 : Medium
- 03 : Maximum
- 04 : Auto (For LCD TV / LED TV) / Intelligent sensor (For PDP TV)
- 05 : Screen off

* (Depending on model)

Ack [q][][Set ID][][OK/NG][Data][x]

20. Tune Command (Command: m a)

* This command may work differently depending on model and signal.

• For Europe, Mid-East, Colombia, Asia except South Korea and Japan Model

► Select channel to following physical number.

Transmission [m][a][][Set ID][][Data 00][][Data 01][][Data 02][Cr]

* Analog Antenna/Cable

[Data 00][Data 01] Channel Data

Data 00 : High byte channel data

Data 01 : Low byte channel data
- 00 00 ~ 00 C7 (Decimal : 0 ~ 199)

Data 02 : Input Source (Analog)

- 00 : Antenna TV (ATV)
- 80 : Cable TV (CATV)

* Digital Antenna/Cable/Satellite

[Data 00][Data 01]: Channel Data

Data 00 : High Channel data

Data 01 : Low Channel data
- 00 00 ~ 27 0F (Decimal: 0 ~ 9999)

Data 02 : Input Source (Digital)

- 10 : Antenna TV (DTV)
- 20 : Antenna Radio (Radio)
- 40 : Satellite TV (SDTV)
- 50 : Satellite Radio (S-Radio)
- 90 : Cable TV (CADTV)
- a0 : Cable Radio (CA-Radio)

* Tune Command Examples:

1. Tune to the Analog antenna (PAL) Channel 10.

Set ID = All = 00

Data 00 & 01 = Channel Data is 10 = 00 0a

Data 02 = Analog Antenna TV = 00

Result = **ma 00 00 0a 00**

2. Tune to the digital antenna (DVB-T) Channel 01.

Set ID = All = 00

Data 00 & 01 = Channel Data is 1 = 00 01

Data 02 = Digital Antenna TV = 10

Result = **ma 00 00 01 10**

3. Tune to the satellite (DVB-S) Channel 1000.

Set ID = All = 00

Data 00 & 01 = Channel Data is 1000 = 03 E8

Data 02 = Digital Satellite TV = 40

Result = **ma 00 03 E8 40**

Ack [a][][Set ID][][OK][Data 00][Data 01]

[Data 02][x][a][][Set ID][][NG][Data 00][x]

• For South Korea, North/Latin America except Colombia Model

► To tune channel to following physical/major/minor number.

Transmission [m][a][][0][][Data00][][Data01]

[][Data02][][Data03][][Data04][][Data05][Cr]

Digital channels have a Physical, Major, and Minor channel number. The Physical number is the actual digital channel number, the Major is the number that the channel should be mapped to, and the Minor is the sub-channel. Since the ATSC tuner automatically maps the channel from the Major / Minor number, the Physical number is not required when sending a command in Digital.

* Analog Antenna/Cable

Data 00 : Physical Channel Number

- Antenna (ATV) : 02~45 (Decimal: 2 ~ 69)

- Cable (CATV) : 01, 0E~7D (Decimal : 1, 14~125)

[Data 01 ~ 04]: Major/Minor Channel Number

Data 01 & 02: xx (Don't care)

Data 03 & 04: xx (Don't care)

Data 05: Input Source (Analog)

- 00 : Antenna TV (ATV)

- 01 : Cable TV (CATV)

* Digital Antenna/Cable

Data 00 : xx (Don't care)

[Data 01][Data 02]: Major Channel Number

Data 01 : High byte Channel Data

Data 02 : Low byte Channel Data

- 00 01 ~ 27 0F (Decimal: 1 ~ 9999)

[Data 03][Data 04]: Minor Channel Number

Data 03 : High byte Channel Data

Data 04 : Low byte Channel Data

Data 05 : Input Source (Digital)

- 02 : Antenna TV (DTV) – Use Physical Channel Number

- 06 : Cable TV (CADTV) – Use Physical Channel

Number

- 22 : Antenna TV (DTV) – Don't Use Physical Channel Number
- 26 : Cable TV (CADTV) - Don't Use Physical Channel Number
- 46 : Cable TV (CADTV) – Use Major Channel Number Only (One Part Channel)

Two bytes are available for each major and minor channel data, but usually the low byte is used alone (high byte is 0).

* Tune Command Examples:

1. Tune to the Analog cable (NTSC) channel 35.

Set ID = All = 00
 Data 00 = Channel Data is 35 = 23
 Data 01 & 02 = No Major = 00 00
 Data 03 & 04 = No Minor = 00 00
 Data 05 = Analog Cable TV = 01
 Total = **ma 00 23 00 00 00 01**

2. Tune to the digital antenna (ATSC) channel 30-3.

Set ID = All = 00
 Data 00 = Don't know Physical = 00
 Data 01 & 02 = Major is 30 = 00 1E
 Data 03 & 04 = Minor is 3 = 00 03
 Data 05 = Digital Antenna TV = 22
 Total = **ma 00 00 00 1E 00 22**

```
Ack [a][ ][Set ID][ ][OK][Data 00][Data 01]
[Data 02][Data 03][Data 04][Data 05]
[x][a][ ][Set ID][ ][NG][Data 00][x]
```

• For Japan Model

► To tune channel to following physical/major/minor number.

```
Transmission [m][a][ ][0][ ][Data00][ ][Data01]
[ ][Data02][ ][Data03][ ][Data04][ ][Data05][Cr]
```

* Digital Antenna/Satellite

Data 00: xx (Don't care)

[Data 01][Data 02]: Major Channel Number

Data 01: High byte Channel Data

Data 02: Low byte Channel Data
 - 00 01 ~ 27 0F (Decimal: 1 ~ 9999)

[Data 03][Data 04]: Minor/Branch Channel Number
 (Don't care in Satellite)

Data 03: High byte Channel Data

Data 04: Low byte Channel Data

Data 05 : Input Source (Digital/Satellite for Japan)

- 02 : Antenna TV (DTV)
- 07 : BS (Broadcasting Satellite)
- 08 : CS1 (Communication Satellite 1)
- 09 : CS2 (Communication Satellite 2)

* Tune Command Examples:

1 Tune to the digital antenna (ISDB-T) channel 17-1.

Set ID = All = 00
 Data 00 = Don't know Physical = 00
 Data 01 & 02 = Major is 17 = 00 11
 Data 03 & 04 = Minor/Branch is 1 = 00 01

Data 05 = Digital Antenna TV = 02

Total = **ma 00 00 00 11 00 01 02**

2. Tune to the BS (ISDB-BS) channel 30.

Set ID = All = 00

Data 00 = Don't know Physical = 00

Data 01 & 02 = Major is 30 = 00 1E

Data 03 & 04 = Don't Care = 00 00

Data 05 = Digital BS TV = 07

Total = **ma 00 00 00 1E 00 07**

* This feature is varied based on the model.

```
Ack [a][ ][Set ID][ ][OK][Data 00][Data 01]
[Data 02][Data 03][Data 04][Data 05]
[x][a][ ][Set ID][ ][NG][Data 00][x]
```

21. Channel(Programme) Add/Del(Skip)
 (Command: m b)

► To skip current channel(programme) for next time.

```
Transmission [m][b][ ][Set ID][ ][Data][Cr]
```

Data 00 : Del(ATSC,ISDB)/Skip(DVB) 01 : Add

```
Ack [b][ ][Set ID][ ][OK/NG][Data][x]
```

* Set the saved channel status to del(ATSC, ISDB)/skip(DVB) or add.

22. Key (Command: m c)

► To send IR remote key code.

```
Transmission [m][c][ ][Set ID][ ][Data][Cr]
```

Data Key code - p.2.

```
Ack [c][ ][Set ID][ ][OK/NG][Data][x]
```

23. Control Backlight (Command: m g)

• For LCD TV / LED TV

► To control the backlight.

```
Transmission [m][g][ ][Set ID][ ][Data][Cr]
```

Data Min : 00 to Max : 64

```
Ack [g][ ][Set ID][ ][OK/NG][Data][x]
```

Control Panel Light (Command: m g)

• For Plasma TV

► To control the panel light.

```
Transmission [m][g][ ][Set ID][ ][Data][Cr]
```

Data Min : 00 to Max : 64

```
Ack [g][ ][Set ID][ ][OK/NG][Data][x]
```

24. Input select (Command: x b) (Main Picture Input)

- To select input source for main picture.

Transmission [x][b][][Set ID][][Data][Cr]

Data

00 : DTV 01 : CADTV
 02 : Satellite DTV 10 : ATV
 ISDB-BS (Japan)
 03 : ISDB-CS1 (Japan)
 04 : ISDB-CS2 (Japan)
 11 : CATV
 20 : AV or AV1 21 : AV2
 40 : Component1 41 : Component2
 60 : RGB
 90 : HDMI1 91 : HDMI2
 92 : HDMI3 93 : HDMI4

Ack [b][][Set ID][][OK/NG][Data][x]

- * This function depends on model and signal.

25. 3D(Command: x t) (only 3D models) (Depending on model)

- To change 3D mode for TV.

Transmission [x][t][][Set ID][][Data 00][][Data 01]
 [][Data 02][][Data 03][Cr]

- * (Depending on model)

Data Structure

[Data 00] 00 : 3D On
 01 : 3D Off
 02 : 3D to 2D
 03 : 2D to 3D
 [Data 01] 00 : Top and Bottom
 01 : Side by Side
 02 : Check Board
 03 : Frame Sequential
 04 : Column interleaving
 05 : Row interleaving
 [Data 02] 00 : Right to Left
 01 : Left to Right
 [Data 03] 3D Effect(3D Depth): Min : 00 - Max : 14
 (*transmit by Hexadecimal code)

- * [Data 02], [Data 03] functions depend on model and signal.
 * If [Data 00] is 00 (3D On), [Data 03] has no meaning.
 * If [Data 00] is 01 (3D off) or 02 (3D to 2D), [Data 01], [Data 02] and [Data 03] have no meaning.
 * If [Data 00] is 03 (2D to 3D), [Data 01] and [Data 02] have no meaning.
 * If [Data 00] is 00 (3D On) or 03 (2D to 3D), [Data 03] works when 3D Mode (Genre) is manual only.
 * All 3D pattern options ([Data 01]) may not be available according to broadcasting/video signal.

[Data 00]	[Data 01]	[Data 02]	[Data 03]
-----------	-----------	-----------	-----------

00	O	O	O
01	X	X	X
02	X	X	X
03	X	O	O

X : don't care

Ack [t][][Set ID][][OK][Data00][Data01][Data02]
 [Data03][x]
 [t][][Set ID][][NG][Data00][x]

26. Extended 3D(Command: x v) (only 3D models) (Depending on model)

- To change 3D option for TV.

Transmission [x][v][][Set ID][][Data 00][]
 [Data 01][Cr]

[Data 00] 3D option

00 : 3D Picture Correction
 01 : 3D Depth (3D Mode is Manual Only)
 02 : 3D Viewpoint
 06 : 3D Color Correction
 07 : 3D Sound Zooming
 08 : Normal Image View
 09 : 3D Mode (Genre)

[Data 01] It has own range for each 3D option determined by [Data 00].

1) When [Data 00] is 00

00 : Right to Left
 01 : Left to Right

2) When [Data 00] is 01, 02

Data Min: 0 - Max: 14 (*transmit by Hexadecimal code)

Data value range(0 - 20) converts Viewpoint range (-10 - +10) automatically (Depending on model)

- * This option works when 3D Mode (Genre) is manual only.

3) When [Data 00] is 06, 07

00 : Off
 01 : On

4) When [Data 00] is 08

00 : Revert to 3D video from 3D-to-2D converted 2D video
 01 : Change 3D video to 2D video, except 2D-to-3D video

- * If conversion condition doesn't meet, command is treated as NG.

5) When [Data 00] is 09

00 : Standard 01 : Sport
 02 : Cinema 03 : Extreme
 04 : Manual 05 : Auto

Ack [v][][Set ID][][OK][Data00][Data01][x]
 [v][][Set ID][][NG][Data00][x]

27. Auto Configure (Command: j u)
(Depending on model)

- ▶ To adjust picture position and minimize image shaking automatically. It works only in RGB (PC) mode.

Transmission [j][u][][Set ID][][Data][Cr]

Data 01 : To set

Ack [u][][Set ID][][OK/NG][Data][x]



LG OLED TV

THE ULTIMATE DISPLAY

GUIDE D'UTILISATION

Veillez lire ce manuel attentivement avant d'utiliser l'appareil et le conserver pour pouvoir vous y reporter ultérieurement.

55EG9100

www.lg.com

DIRECTIVES DE SÉCURITÉ IMPORTANTES

Conformez-vous toujours aux précautions suivantes pour éviter des situations dangereuses et assurer une performance optimale de votre appareil.



AVERTISSEMENT/
MISE EN GARDE
RISQUE D'ÉLECTROCUTION
NE PAS OUVRIR



AFIN DE RÉDUIRE LE RISQUE D'ÉLECTROCUTION, NE PAS RETIRER LE COUVERCLE (OU LE PANNEAU ARRIÈRE). AUCUNE PIÈCE POUVANT ÊTRE RÉPARÉE PAR L'UTILISATEUR NE SE TROUVE À L'INTÉRIEUR. SE REPORTER AU PERSONNEL D'ENTRETIEN QUALIFIÉ.



Le symbole d'éclair avec une flèche, dans un triangle équilatéral, a pour fonction d'alerter l'utilisateur de la présence de « tension dangereuse » non isolée à l'intérieur du boîtier de l'appareil et qui pourrait être d'une puissance suffisante pour causer une électrocution.



Le point d'exclamation dans un triangle équilatéral est conçu pour alerter l'utilisateur de la présence d'instructions importantes d'utilisation et de maintenance (entretien) dans la documentation accompagnant l'appareil.

AVERTISSEMENT/MISE EN GARDE

- AFIN DE RÉDUIRE LE RISQUE D'INCENDIE ET D'ÉLECTROCUTION, NE PAS EXPOSER CE PRODUIT À LA PLUIE OU À L'HUMIDITÉ.



AVERTISSEMENT

Si vous ignorez le message d'avertissement, vous pourriez vous blesser gravement ou causer un accident ou un décès.



MISE EN GARDE

Si vous ignorez le message de mise en garde, vous pourriez vous blesser légèrement ou endommager le produit.



REMARQUE

Une lecture attentive de ce message avant utilisation vous permet de mieux comprendre le produit et de l'utiliser de façon sécuritaire.

Lisez ces directives.
Conservez ces directives.
Soyez attentif à tous les avertissements.
Suivez toutes les directives.



- N'utilisez pas cet appareil près de l'eau.



- Nettoyez uniquement avec un linge sec.



- Ne bloquez pas les orifices de ventilation. Installez le produit en respectant les directives du fabricant.



- N'installez pas le produit près de sources de chaleur comme les radiateurs, les bouches de chaleur, les fours et tout autre appareil (y compris les amplificateurs) produisant de la chaleur.



- Ne contournez pas la sécurité de la fiche polarisée ou de la mise à la terre. Une fiche polarisée a deux lames, l'une d'elles étant plus large que l'autre. Une fiche de mise à la terre comporte deux lames et une troisième broche de mise à la terre. La lame plus large ou la troisième broche sont fournies pour votre sécurité. Si la fiche fournie ne s'insère pas dans votre prise, consultez un électricien afin de faire remplacer la prise obsolète (peut varier selon le pays).



- Protégez le cordon d'alimentation de manière à ce que les personnes ne marchent pas dessus et contre les pincements; surveillez particulièrement la région de la fiche, des prises de courant et de l'emplacement de sortie du cordon sur l'appareil.



- N'utilisez que les articles connexes ou accessoires recommandés par le fabricant.



- Utilisez uniquement avec un chariot, un support, un trépied, une fixation ou une table recommandé par le fabricant ou vendu avec l'appareil. Lorsqu'un chariot est utilisé, faites preuve de prudence lors du déplacement du chariot et de l'écran, afin de prévenir les blessures causées par un basculement.



- Débranchez cet appareil pendant les orages électriques ou lorsqu'il n'est pas utilisé pendant de longues périodes.



- Laissez le personnel qualifié se charger de tous les services d'entretien. Faites appel à un fournisseur de services d'entretien lorsque l'appareil a été endommagé d'une quelconque façon, notamment si la fiche ou le cordon d'alimentation est endommagé, si une substance liquide a été renversée sur l'appareil, si des objets sont tombés dans l'appareil, si l'appareil a été exposé à la pluie ou à l'humidité, s'il cesse de fonctionner correctement ou a été échappé.



- Évitez d'appuyer fortement sur l'écran avec une main ou un objet pointu, comme un ongle, un crayon ou un stylo, et évitez d'égratigner l'écran.



- N'insérez aucun objet métallique ou conducteur dans le câble d'alimentation. Ne touchez pas l'extrémité du cordon d'alimentation lorsqu'il est branché.
- Gardez le matériel anti-humidité et le matériel d'emballage en vinyne hors de la portée des enfants. Le matériel anti-humidité est dangereux pour la santé s'il est avalé. S'il est avalé par erreur, forcez le patient à vomir et rendez-vous à l'hôpital le plus proche. De plus, le matériel d'emballage en vinyne peut entraîner la suffocation. Gardez-le hors de la portée des enfants.
- AVERTISSEMENT relatif au cordon d'alimentation (peut varier selon le pays) :

Consultez la page des caractéristiques du présent guide d'utilisation pour vous en assurer. Ne branchez pas un trop grand nombre d'appareils dans une même prise d'alimentation c.a.; cela pourrait causer un incendie ou une électrocution. Ne surchargez pas les prises de courant murales. Les prises de courant murales surchargées, les prises de courant murales ou rallonges desserrées ou endommagées, les cordons d'alimentation effilochés ou endommagés et les revêtements de fil fissurés sont dangereux. Chacune de ces conditions peut entraîner des décharges électriques ou provoquer un incendie. Examinez périodiquement le cordon de votre appareil, et si son apparence indique des dommages ou une détérioration, débranchez-le, cessez d'utiliser l'appareil et faites remplacer le cordon par une pièce de remplacement exacte auprès d'un fournisseur de services d'entretien autorisé. Protégez le cordon d'alimentation contre les dommages physiques ou mécaniques. Veillez notamment à ce qu'il ne soit pas tordu, déformé, pincé, coincé dans une porte ou piétiné. Soyez particulièrement attentif aux fiches, aux prises de courant murales et à l'emplacement de sortie du cordon sur l'appareil. Ne déplacez pas le téléviseur avec le cordon d'alimentation branché. N'utilisez pas un cordon d'alimentation endommagé ou desserré. Assurez-vous de saisir la fiche lorsque vous débranchez le cordon d'alimentation. Ne tirez pas sur le cordon d'alimentation pour débrancher le téléviseur.



- **Avvertissement** - Afin de réduire le risque d'incendie ou d'électrocution, n'exposez pas ce produit à la pluie, à l'humidité ou à d'autres liquides. Ne touchez pas le téléviseur si vos mains sont mouillées. N'installez pas ce produit près d'objets inflammables comme de l'essence ou des chandelles, et n'exposez pas le téléviseur directement à l'air conditionné.

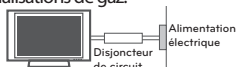


- Le moniteur ne doit être exposé à aucune vaporisation ni éclaboussure, et vous devez éviter d'y poser des objets remplis de liquide, comme des vases, des tasses, etc., sur ou au-dessus de l'appareil (par exemple, sur des tablettes au-dessus de l'appareil).



• Mise à la terre

(Sauf pour les appareils non mis à la terre.) Assurez-vous de brancher le fil de mise à la terre afin de prévenir tout risque d'électrocution (p. ex., un téléviseur doté d'une fiche c.a. à trois broches avec mise à la terre devrait être branché dans une prise électrique murale c.a. avec mise à la terre). Si la mise à la terre n'est pas possible, un électricien doit installer un disjoncteur de circuit pour la prise. Ne tentez pas de mettre à la terre l'appareil en le raccordant à des câbles téléphoniques, à un paratonnerre ou à des canalisations de gaz.

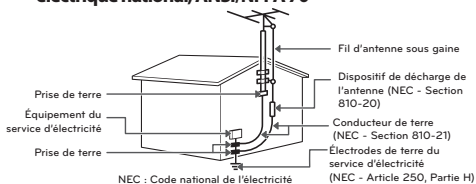


- Tant que cet appareil est branché sur la prise de courant murale c.a., il n'est pas déconnecté de la source d'alimentation c.a. même s'il est mis hors tension.
- Ne pas tenter de modifier cet appareil d'aucune manière sans avoir obtenu au préalable l'autorisation écrite de LG Electronics. Une modification non autorisée pourrait annuler l'autorisation d'utiliser cet appareil.
- Mise à la terre d'antennes extérieures**

(peut varier selon le pays) :

Si une antenne extérieure est installée, suivez les précautions ci-dessous. Un système d'antennes extérieures ne devrait pas se trouver à proximité des lignes aériennes d'électricité, d'autres éclairages électriques ou de circuits d'alimentation, ou à un endroit où il peut entrer en contact avec de telles lignes électriques ou de tels circuits d'alimentation, puisque des blessures graves, voire la mort, pourraient se produire. Assurez-vous que le système d'antennes est mis à la terre, afin de fournir une certaine protection contre les surtensions et les accumulations de charge d'électricité statique. La section 810 du Code national de l'électricité (NEC) aux États-Unis fournit des renseignements relatifs à la procédure conforme de mise à la terre du mât et de la structure d'appui, du câble d'entrée à l'élément de sortie antenne, au format des fils de terre, à la position de l'élément de sortie antenne, au branchement des électrodes de terre, ainsi qu'aux exigences de mise à la terre de l'électrode.

Mise à la terre de l'antenne en vertu du code électrique national, ANSI/NFPA 70



• Nettoyage

Lors du nettoyage, débranchez le cordon d'alimentation et essuyez l'appareil avec un linge doux pour éviter de le rayer. Ne vaporisez pas d'eau ou d'autres liquides directement sur le téléviseur, car cela pourrait causer une électrocution. Ne nettoyez pas avec des produits chimiques comme de l'alcool, des solvants et du benzène.

• Déplacement

Assurez-vous que l'appareil est hors tension, débranché et que tous les câbles ont été retirés. Deux personnes ou plus peuvent être requises pour porter les téléviseurs d'une certaine taille. N'appliquez aucune pression (provenant de vous-même ou d'un élément extérieur) sur le panneau avant du téléviseur.

• Ventilation

Installez votre téléviseur à un endroit où la ventilation est suffisante. N'installez pas dans un espace confiné comme une bibliothèque. Ne couvrez pas ce produit d'un drap ou d'autres matériaux lorsqu'il est branché. N'installez pas à un endroit excessivement poussiéreux.

- Si vous sentez une odeur de fumée ou d'autres odeurs provenant du téléviseur, débranchez le cordon d'alimentation et contactez un centre de services autorisé.
- Évitez que le produit ne soit exposé à la lumière solaire directe.
- Ne touchez jamais cet appareil ou cette antenne pendant un orage.
- Lors du montage du téléviseur au mur, assurez-vous de ne pas le suspendre à l'aide du câble de signal ou d'alimentation se trouvant à l'arrière du téléviseur.
- Évitez de heurter l'appareil et assurez-vous qu'aucun objet ne tombe dans celui-ci ou n'entre en contact avec l'écran.
- DÉBRANCHER L'APPAREIL DE LA SOURCE D'ALIMENTATION PRINCIPALE**

Pour débrancher l'appareil, retirez la fiche d'alimentation de la prise de courant. La fiche d'alimentation doit demeurer entièrement accessible afin de pouvoir débrancher l'appareil en cas d'urgence.

• Piles

- Assurez-vous de ranger les accessoires (piles ou autre) dans un lieu sûr et hors de portée des enfants.
- Cet appareil fonctionne avec des piles. Il est possible que les règlements de votre communauté en matière d'environnement vous obligent à mettre ces piles au rebut en respectant certaines règles. Veuillez communiquer avec les autorités locales pour plus de renseignements sur la mise au rebut ou le recyclage des piles usagées.
- Ne jetez pas les piles dans le feu.
- Ne court-circuitez pas les piles, ne les démontez pas et ne les laissez pas surchauffer.
- N'utilisez pas d'équipement électrique à haute tension près du téléviseur (comme un tue-mouches électrique). Cela pourrait entraîner un mauvais fonctionnement du produit.

- **Défauts de points**

L'écran est un produit de haute technologie présentant une résolution de deux à six millions de pixels. Dans de rares cas, on pourrait voir de petits points sur l'écran lors du visionnement. Ces points sont des pixels désactivés ne nuisant pas à la performance ni à la fiabilité du téléviseur.

- **Son produit**

Craquement Un craquement survenant pendant le visionnement ou lors de l'arrêt du téléviseur est produit par une contraction thermique plastique causée par la chaleur ou l'humidité. Ce bruit est courant dans les produits ou une déformation thermique est requise.

Bourdonnement de circuit ou de panneau

électrique Un bruit très faible est produit par un circuit commutateur haute vitesse fournissant une grande quantité de courant pour faire fonctionner un appareil. Il varie selon l'appareil.

Ce son ne nuit aucunement à la performance ou à la fiabilité de l'appareil.

- Prenez soin de ne pas toucher aux ouvertures de ventilation. Lorsque le téléviseur fonctionne pendant de longues périodes, les ouvertures de ventilation peuvent devenir chaudes. Cela ne nuit aucunement à la performance de l'appareil et ne l'endommage pas.
- Ne pas installer cet appareil sur un mur qui pourrait être exposé à l'huile ou brouillard d'huile. Cela peut endommager l'appareil et provoquer sa chute.
- Si le téléviseur est froid au toucher, il peut y avoir un léger « sautillerment » quand on l'allume. Cela est normal; le téléviseur n'est pas défectueux. Pendant quelques minutes, des défauts de points peuvent être visibles à l'écran, apparaissant comme de petites taches rouges, vertes ou bleues. Toutefois, ils ne produisent aucun effet indésirable sur la performance du téléviseur. Évitez de toucher l'écran ou d'y poser les doigts pendant une longue période. Cela pourrait produire un effet de distorsion à l'écran.
- L'affichage d'une image fixe pendant une longue période peut entraîner le figement de l'image. Évitez de laisser une image fixe affichée à l'écran pendant une période prolongée.

Renseignements relatifs à la réglementation FCC

(Pour les États-Unis)

Cet équipement a été testé et jugé conforme aux limites relatives aux appareils numériques de catégorie B imposées par le paragraphe 15 de la réglementation de la FCC.

Ces limites sont établies pour fournir une protection raisonnable contre les interférences nuisibles en installation résidentielle. Cet équipement génère, utilise et peut diffuser de l'énergie de radiofréquences et, s'il n'est pas installé et utilisé conformément aux instructions, peut causer des interférences nuisibles aux communications radio. Cependant, il n'existe aucune garantie qu'il n'y aura pas d'interférences dans une installation particulière. Si cet équipement cause des interférences nuisibles à la réception radio ou télévision (pour s'en assurer, il suffit d'éteindre et de rallumer l'appareil), l'utilisateur est invité à essayer de corriger les interférences par l'une ou plusieurs des mesures suivantes :

- Réorienter ou déplacer l'antenne de réception.
- Augmenter la distance entre l'équipement et le récepteur.
- Brancher l'équipement sur un circuit électrique distinct de celui qui alimente le récepteur.
- Consulter le distributeur ou un technicien radio/télé qualifié pour vous aider.

Cet appareil est conforme aux limites imposées par le paragraphe 15 de la réglementation FCC. Son utilisation est soumise aux deux conditions suivantes :

- (1) cet appareil ne doit pas provoquer de brouillage préjudiciable, et (2) cet appareil doit accepter toutes les interférences reçues, y compris celles pouvant causer un fonctionnement indésirable. Les modifications dans la fabrication de cet appareil qui ne sont pas expressément approuvées par l'autorité responsable de la conformité peuvent annuler l'autorisation accordée à l'utilisateur de faire fonctionner l'équipement.

Exigences de la FCC en matière d'interférences des fréquences radio (pour appareils UNII)

Les radars à haute puissance sont attribués comme utilisateurs principaux des bandes de fréquence 5,25 à 5,35 GHz et 5,65 à 5,85 GHz. Ces stations radars peuvent causer des interférences pour cet appareil ou l'endommager. Cet appareil ne peut être colocalisé avec tout autre émetteur.

Énoncé de la FCC sur l'exposition aux rayonnements RF

[Pour la fonction sans fil (WLAN, Bluetooth, etc.)]

Cet appareil est conforme aux limites d'exposition aux rayonnements de la FCC pour un environnement non contrôlé. Cet émetteur ne peut être colocalisé ni utilisé conjointement avec tout autre émetteur ou antenne. Cet appareil doit être installé de façon à garder une distance minimale de 20 cm (7,8 po) entre la source de rayonnements et votre corps. Les utilisateurs doivent respecter les directives d'utilisation afin de satisfaire aux critères en matière d'exposition aux rayonnements RF.

Avis d'Industrie Canada

(Pour le Canada)

[Pour la fonction sans fil (WLAN, Bluetooth, etc.)]

Cet appareil est conforme à la norme CNR-210 des règlements d'Industrie Canada. Son fonctionnement est soumis aux deux conditions suivantes :

1. Cet appareil ne doit pas provoquer d'interférences.
2. Cet appareil doit accepter toutes les interférences, y compris celles pouvant entraîner son dysfonctionnement.

Avis d'Industrie Canada sur l'exposition aux rayonnements

(Pour le Canada)

Cet appareil est conforme aux limites d'exposition aux rayonnements d'Industrie Canada pour un environnement non contrôlé. Cet appareil doit être installé de façon à garder une distance minimale de 20 cm (7,8 po) entre la source de rayonnements et votre corps.

REMARQUE : LE FABRICANT N'EST PAS RESPONSABLE DES INTERFÉRENCES RADIOÉLECTRIQUES CAUSÉES PAR DES MODIFICATIONS NON AUTORISÉES APPORTÉES À CET APPAREIL. DE TELLES MODIFICATIONS POURRAIENT ANNULER L'AUTORISATION ACCORDÉE À L'UTILISATEUR DE FAIRE FONCTIONNER L'APPAREIL.

⚠ AVERTISSEMENT

(Pour le Canada)

[Pour un produit doté de la fonction sans fil utilisant la bande de fréquences 5 GHz]

- L'appareil destiné à la bande de fréquences 5150 à 5250 MHz doit être utilisé à l'intérieur seulement afin de réduire tout risque d'interférences pouvant nuire au fonctionnement des systèmes satellites mobiles sur un canal commun;
- Le gain d'antenne maximum autorisé pour les appareils dans les bandes de fréquences 5250 à 5350 MHz et 5470 à 5725 MHz doit respecter les limites p.i.r.e.;
- Le gain d'antenne maximum autorisé pour les appareils dans les bandes de fréquences 5725 à 5825 MHz doit respecter les limites p.i.r.e. précisées pour l'utilisation point à point et non point à point tel qu'il est nécessaire;
- Les radars à haute puissance sont attribués comme utilisateurs principaux (utilisateurs prioritaires) des bandes de fréquences 5250 à 5350 MHz et 5650 à 5850 MHz, et ces radars peuvent causer des interférences ou des dommages aux appareils LE-LAN.

Remarque à l'intention des installateurs de réseaux câblés

(Pour les États-Unis et le Canada)

Nous désirons attirer l'attention des installateurs de réseaux câblés sur l'article 820-40 du Code national de l'électricité (NEC) concernant la mise à la terre de tels réseaux, et en particulier sur le fait que le câble doit être relié à l'installation de mise à la terre du bâtiment aussi près que possible de son point d'entrée.

Visionnement d'images 3D

! AVERTISSEMENTS

Environnement de visionnement

- Durée de visionnement
 - Lorsque vous regardez du contenu 3D, veillez à faire une pause de 5 à 15 minutes toutes les heures. Le visionnement de contenus 3D pendant des périodes prolongées peut causer des maux de tête, des vertiges, de la fatigue ou des douleurs oculaires.

Personnes sujettes aux malaises liés à la photosensibilité ou à des maladies chroniques

- Certains utilisateurs pourraient ressentir des malaises ou d'autres réactions anormales s'ils sont exposés à des lumières clignotantes ou à certains effets des contenus 3D.
- Abstenez-vous de regarder des vidéos 3D si vous avez des nausées, que vous êtes enceinte ou que vous souffrez d'une maladie chronique comme l'épilepsie, des troubles cardiaques ou encore l'hypertension.
- Le visionnement de contenus 3D est déconseillé aux personnes souffrant de cécité stéréo ou d'une anomalie stéréo. Vous pourriez voir des images en double ou ressentir de la gêne au cours du visionnement.
- Si vous souffrez de strabisme (vous louchez), d'amblyopie (vous avez des problèmes de vue) ou d'astigmatisme, vous risquez d'avoir des difficultés à percevoir la profondeur et par conséquent, vous risquez de ressentir rapidement de la fatigue en raison des images doublées. Vous devriez faire des pauses plus souvent que la moyenne.
- Si vous avez une divergence entre la vision de votre œil droit et celle de votre œil gauche, faites-vous examiner avant de regarder du contenu 3D.

Symptômes nécessitant l'interruption temporaire ou définitive du visionnement de contenus 3D

- Ne regardez pas de contenus 3D si vous ressentez de la fatigue pour cause de manque de sommeil, de surcharge de travail ou d'abus d'alcool.
- Dès que vous ressentez ces symptômes, cessez d'utiliser ou de regarder le contenu 3D et reposez-vous jusqu'à ce qu'ils disparaissent.
 - Si les symptômes persistent, consultez un médecin. Voici quelques-uns des symptômes les plus courants : maux de tête, douleur oculaire, vertiges, nausée, palpitations, vision trouble, gêne, images doublées, fatigue ou gêne visuelle.

! MISES EN GARDE

Environnement de visionnement

- Distance de visionnement
 - Restez à une distance minimale d'au moins deux fois la diagonale de l'écran lorsque vous regardez du contenu 3D. Si vous ressentez de la gêne lors du visionnement de contenus 3D, éloignez-vous de l'écran.

Âge de visionnement

- Bébés/enfants
 - Les enfants de moins de cinq ans ne doivent ni utiliser, ni visionner de contenus 3D.
 - Les enfants de moins de dix ans peuvent avoir des réactions excessives ou entrer dans un état d'excitation importante; il est ainsi possible qu'ils essaient de toucher l'écran ou de sauter dans l'image. Vous devez donc faire preuve d'une vigilance accrue lorsque des enfants regardent du contenu 3D.
 - La disparité binoculaire lors du visionnement de contenus 3D est plus importante chez les enfants que chez les adultes, car la distance entre leurs yeux est plus courte. Leur perception stéréoscopique de la profondeur est donc plus importante que chez les adultes regardant une même image 3D.
- Adolescents
 - La lumière diffusée par les vidéos 3D peut avoir des effets stimulants accentués chez les adolescents de moins de 19 ans. Conseillez-leur de ne pas regarder de vidéos 3D pendant des périodes prolongées lorsqu'ils se sentent fatigués.
- Personnes âgées
 - Les personnes âgées pourraient moins facilement discerner les effets 3D que des personnes plus jeunes. Vous devez toutefois continuer à respecter la distance recommandée par rapport au téléviseur même si vous êtes dans ce cas.

Mises en garde relatives à l'utilisation de lunettes 3D

- Utilisez des lunettes 3D LG seulement, faute de quoi vous risquez de ne pas pouvoir profiter pleinement des vidéos 3D.
- N'utilisez pas les lunettes 3D en remplacement de lunettes de vue, de lunettes de soleil ou de lunettes de protection.
- L'utilisation de lunettes 3D peut causer de la fatigue oculaire ou une distorsion de l'image.
- N'exposez pas vos lunettes 3D à des températures extrêmes. Vous risqueriez de les déformer.
- Les lunettes 3D sont fragiles et peuvent se rayer facilement. Essayez toujours les lentilles à l'aide d'un chiffon propre. Ne grattez pas les lentilles des lunettes 3D au moyen d'un objet pointu et n'utilisez pas de produits chimiques pour les nettoyer.

LICENCES

Les licences prises en charge peuvent différer selon le modèle.
Pour plus de renseignements sur les licences, visitez le site www.lg.com.



INFORMATIONS SUR LES LOGICIELS LIBRES

Pour obtenir le code source conformément aux dispositions de la licence publique générale, de la licence publique générale limitée, de la licence publique Mozilla et de toute autre licence régissant les logiciels à code source libre contenus dans cet appareil, visitez le site <http://opensource.lge.com>.

En plus du code source, toutes les dispositions de licence, les exonérations de garantie et les avis de droits d'auteurs peuvent aussi être téléchargés.

LG Electronics mettra également à votre disposition le code source libre sur CD-ROM pour un prix couvrant le coût de la distribution (coût du support, de l'expédition et de la manutention) sur simple demande par courriel à l'adresse opensource@lge.com. Cette offre est valable pendant trois (3) années à compter de la date d'achat du produit.

TABLE DES MATIÈRES

2 DIRECTIVES DE SÉCURITÉ IMPORTANTES

- 5 - Renseignements relatifs à la réglementation FCC
- 6 - Avis d'Industrie Canada
- 6 - Avis d'Industrie Canada sur l'exposition aux rayonnements
- 6 - Remarque à l'intention des installateurs de réseaux câblés
- 7 Visionnement d'images 3D

8 LICENCES

8 INFORMATIONS SUR LES LOGICIELS LIBRES

9 TABLE DES MATIÈRES

10 PROCÉDURE D'INSTALLATION

10 ASSEMBLAGE ET PRÉPARATION

- 10 Déballage
- 12 Articles supplémentaires en option
- 13 Pièces et touches
 - 14 - Utilisation du bouton de la manette
- 15 Soulèvement et déplacement du téléviseur
- 16 Installation du téléviseur
 - 16 - Fixation du support
 - 17 - Montage sur une table
 - 18 - Gestion des câbles
 - 19 - Montage mural

20 ÉTABLISSEMENT DES CONNEXIONS

- 20 Raccordement à une antenne ou au câble
- 21 Connexion à un récepteur HD, à un lecteur DVD ou à un magnétoscope
 - 21 - Connexion HDMI
 - 22 - Connexion DVI à HDMI
 - 23 - Connexion composante
 - 24 - Connexion composite
 - 25 Connexion à un PC

- 26 - Connexion HDMI ou Connexion DVI à HDMI
- 27 Connexion d'un système audio
- 27 - Connexion audio optique numérique
- 28 Branchement d'un dispositif USB

29 FONCTIONS DE LA TÉLÉCOMMANDE MAGIC

- 30 Enregistrement de la télécommande Magic
- 30 Utilisation de la télécommande Magic
- 30 Précautions à prendre

30 UTILISATION DU GUIDE DE L'UTILISATEUR

31 CARACTÉRISTIQUES

33 ENTRETIEN

- 33 Nettoyage du téléviseur
- 33 - Écran, cadre, boîtier et support
- 33 - Cordon d'alimentation

33 DÉPANNAGE

! REMARQUES

- Cette illustration peut ne pas correspondre à votre téléviseur.
- L'afficheur (OSD) de votre téléviseur peut différer légèrement de l'illustration du présent manuel.
- Les menus et options disponibles peuvent différer en fonction de la source d'entrée ou du modèle d'appareil que vous utilisez.
- De nouvelles fonctionnalités pourraient être ajoutées à ce téléviseur dans le futur.

PROCÉDURE D'INSTALLATION

- 1 Ouvrez l'emballage et assurez-vous que tous les accessoires sont présents.
- 2 Fixez le support au téléviseur.
- 3 Branchez un appareil externe sur le téléviseur.
- 4 Vérifiez qu'une connexion réseau est disponible.
Une connexion réseau est requise pour utiliser les fonctions réseau du téléviseur.

* Lorsque le téléviseur est allumé pour la première fois après sa sortie de l'usine, son initialisation peut prendre environ une minute.

ASSEMBLAGE ET PRÉPARATION

Déballage

Vérifiez le contenu de votre boîte pour les articles suivants. S'il manque des accessoires, communiquez avec le détaillant local où vous avez acheté le produit. Les illustrations du présent guide peuvent différer du produit et de l'article réels.



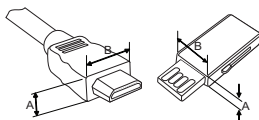
MISES EN GARDE

- Afin de garantir la sécurité et la durée de vie de l'appareil, n'utilisez pas d'articles non approuvés.
- Tout dommage ou blessure causé par l'utilisation d'un article non approuvé n'est pas couvert par la garantie.
- Sur certains modèles, la fine pellicule apposée sur l'écran fait partie du téléviseur et il ne faut pas la retirer.



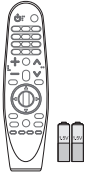
REMARQUES

- Les articles fournis avec votre produit peuvent varier selon le modèle.
- Les caractéristiques du produit ou le contenu de ce manuel peuvent être modifiés sans préavis, pour refléter la mise à niveau des fonctions du produit.
- Pour que la connexion soit optimale, les connecteurs des câbles HDMI et des dispositifs USB devraient avoir un rebord de moins de 10 mm (0,39 po) d'épaisseur et de moins de 18 mm (0,7 po) de largeur.
- Si le câble ou la clé USB ne rentre pas dans le port USB de la télé, servez-vous d'un câble de rallonge compatible USB 2.0.
- Utilisez un câble certifié portant le logo HDMI. Si vous n'utilisez pas un câble HDMI certifié, l'écran peut ne pas s'afficher ou un problème de connexion peut se produire.
- Types de câbles HDMI recommandés (de 3 m ou moins).
 - Câble HDMI*TM haute vitesse
 - Câble HDMI*TM haute vitesse avec Ethernet



*A ≤ 10 mm (0,39 po)

*B ≤ 18 mm (0,7 po)



**Télécommande Magic
et piles (AA)**

(Voir p. 29)



Guide d'utilisation



Serre-câbles

(Voir p. 18)



Lunettes de cinéma 3D

Le nombre de lunettes 3D
peut varier selon le modèle
ou le pays.



Base du support

(Voir p. 16, 17)



Vis de support

4 de chaque, M4 x L20
(Voir p. 17)



Câble vidéo composite

(Voir p. 23)



Câble vidéo composite

(Voir p. 23, 24)

Articles supplémentaires en option

Des articles supplémentaires en option peuvent être remplacés ou modifiés à des fins d'amélioration de la qualité, sans préavis. Communiquez avec votre détaillant pour acheter ces articles.

Ces dispositifs ne fonctionnent qu'avec les téléviseurs LG compatibles.

Le nom ou la forme du modèle peuvent être modifiés selon les conditions ou les politiques du fabricant.

AN-MR6**

Télécommande Magic

AG-F*DP**

Lunettes Dual Play

AG-F***

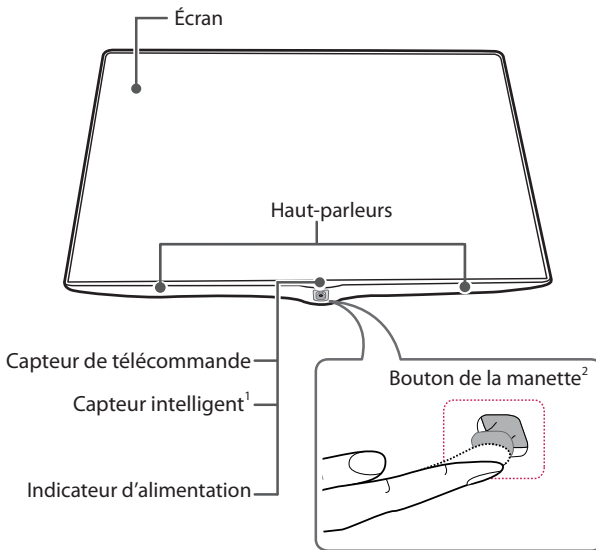
Lunettes de cinéma 3D

Dispositif audio LG

AN-VC550

Caméra intelligente

Pièces et touches



- 1 Le capteur intelligent - Ajuste la qualité et la luminosité de l'image en fonction de l'environnement immédiat.
- 2 Le bouton de la manette est situé sous l'écran du téléviseur.





! REMARQUE

- Vous pouvez activer ou désactiver le logo LG lumineux en sélectionnant **GÉNÉRAL** dans les menus principaux.

Utilisation du bouton de la manette

Vous pouvez commander le téléviseur en appuyant sur le bouton ou en déplaçant la manette vers la gauche, la droite, le haut ou le bas.

Fonctions de base

	Mise sous tension	Lorsque le téléviseur est éteint, appuyez une fois sur le bouton de la manette et relâchez-le.
	Mise hors tension	Lorsque le téléviseur est allumé, appuyez sur le bouton de la manette pendant quelques secondes et relâchez-le. Toutes les applications actives seront fermées.
	Réglage du volume	Vous pouvez régler le volume au niveau désiré en déplaçant le bouton de la manette vers la gauche ou la droite avec votre doigt.
	Contrôle des canaux	Vous pouvez parcourir les canaux enregistrés en déplaçant le bouton de la manette vers le haut ou le bas avec votre doigt.

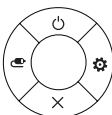




! REMARQUE

- Lorsque vous déplacez le bouton de la manette vers le haut, le bas, la gauche ou la droite, prenez garde de ne pas l'enfoncer. Si vous appuyez sur le bouton en premier, il se peut que vous ne puissiez pas régler le volume ni parcourir les chaînes enregistrées.

Réglage du menu

Lorsque le téléviseur est allumé, appuyez une fois sur le bouton de la manette.

Vous pouvez régler les éléments du menu en déplaçant le bouton de la manette vers le haut, le bas, la gauche ou la droite.

		ÉTEINDRE LE TÉLÉVISEUR	Met l'appareil hors tension.
		PARAMÈTRES	Permet d'accéder aux réglages rapides.
		FERMER	Efface ce qui est affiché à l'écran et retourne au visionnement de la télévision.
		ENTRÉE	Change de source d'entrée.

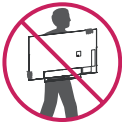
Soulèvement et déplacement du téléviseur

Lorsque vous désirez déplacer ou soulever le téléviseur, lisez tout d'abord ce qui suit pour éviter d'égratigner ou d'endommager le téléviseur, ainsi que pour effectuer un transport sécuritaire sans égard au type et à la taille du téléviseur.

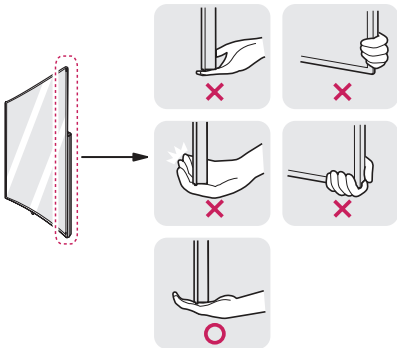


MISES EN GARDE

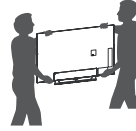
- Évitez de toucher à l'écran, puisque cela pourrait l'endommager.
- Ne déposez pas la partie avant du produit directement sur le sol. Cela pourrait endommager l'écran.
- Il est recommandé de déplacer le téléviseur en utilisant la boîte ou le matériel d'emballage dans lequel a été livré le téléviseur à l'origine.
- Avant de déplacer ou de soulever le téléviseur, débranchez le cordon d'alimentation et tous les câbles.
- Lorsque vous manipulez le téléviseur, vous devriez l'orienter pour que l'écran ne soit pas de votre côté, pour éviter de l'endommager.



- Tenez fermement le haut et le bas du cadre du téléviseur. Assurez-vous de ne pas tenir la partie transparente, le haut-parleur ou la grille de haut-parleur du téléviseur.



- Lorsque vous transportez un téléviseur de grande dimension, demandez l'aide d'au moins une autre personne.
- Lorsque vous transportez un téléviseur dans vos mains, tenez-le tel qu'il est montré dans l'illustration suivante.



- Lorsque vous transportez le téléviseur, évitez de l'exposer à des chocs ou à des vibrations excessives.
- Lorsque vous transportez le téléviseur, maintenez-le à la verticale; ne le tournez jamais sur le côté et ne le penchez pas à gauche ou à droite.
- N'appliquez pas une pression excessive pour plier ou incliner le cadre du châssis, car cela pourrait endommager l'écran.
- Assurez-vous de garder le téléviseur à la verticale, sans l'incliner, lorsque vous le déplacez.
- Lors de la manipulation du téléviseur, veillez à ne pas endommager le bouton de la manette en saillie.

Installation du téléviseur

Vous pouvez installer votre télé sur un mur ou la fixer au support si vous souhaitez la placer sur un meuble ou un système audio-vidéo.

Fixation du support

Si vous ne montez pas le téléviseur au mur, suivez les directives ci-dessous pour fixer le support.

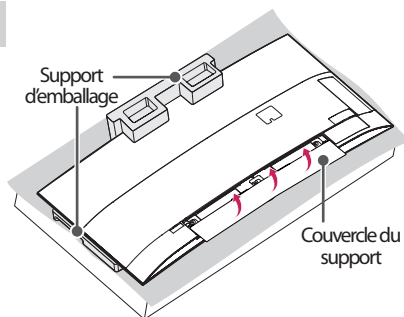
! MISES EN GARDE

- Assurez-vous que les vis sont vissées complètement. (Si elles ne sont pas suffisamment vissées, le téléviseur peut basculer vers l'avant après avoir été installé.)
- Ne pas trop serrer les vis, sinon elles peuvent s'user et se relâcher.

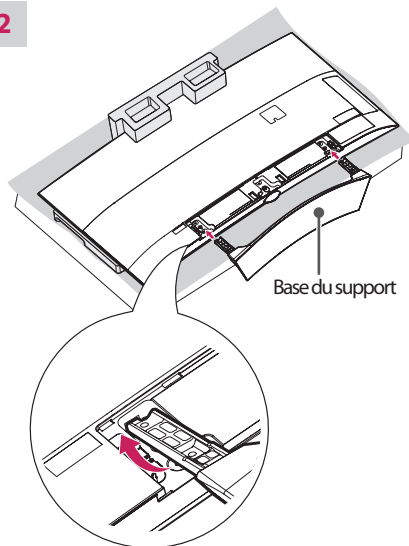
! REMARQUE

- Avant d'installer le téléviseur sur une fixation murale, retirez son support.

1



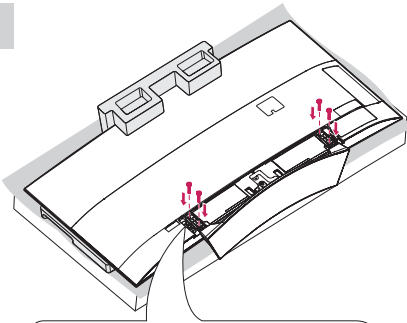
2



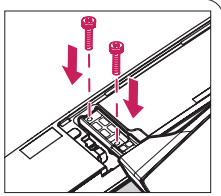
! MISES EN GARDE

- Avant d'assembler le support, étalez le support d'emballage sur une table ou une surface plane et placez-y le téléviseur avec l'écran vers le bas. Assurez-vous de protéger l'écran contre les égratignures. Si aucun emballage n'est fourni, placez l'écran du téléviseur sur un chiffon doux ou une surface coussinée.
- Ne placez pas le téléviseur à la verticale sans y avoir fixé le support au préalable. Le bouton de la manette en saillie pourrait être endommagé.

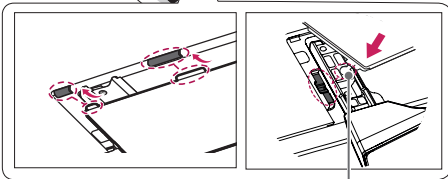
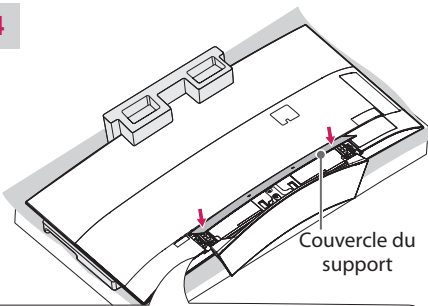
3



4 de chaque
M4 x L20



4

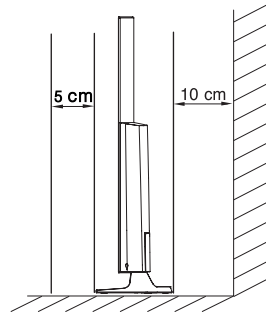
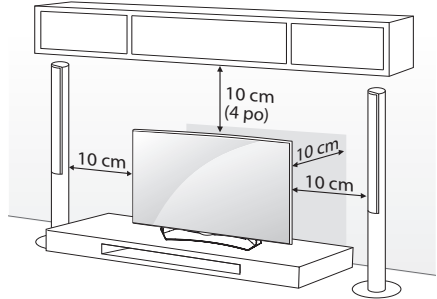


Attache du
couvercle

- 1 Insérez les pièces enfilables du couvercle du support dans les espaces prévus à cet effet.
- 2 Insérez les attaches du couvercle dans les espaces prévus à cet effet jusqu'au clic.
- 3 Appuyez délicatement sur le couvercle du support pour vous assurer que le tissu à l'intérieur est fixé fermement.

Montage sur une table

- 1 Soulevez et inclinez le téléviseur dans sa position verticale sur une table.
 - Laissez au minimum un espace de 10 cm (4 po) entre le mur et le téléviseur pour une ventilation adéquate.



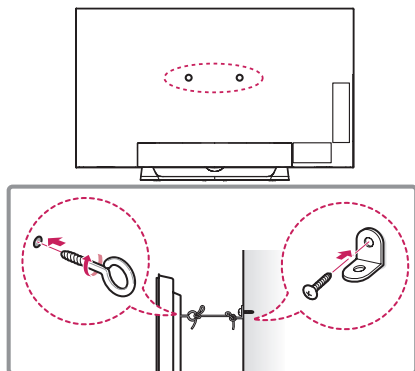
- 2 Raccordez le cordon d'alimentation à une prise murale.



MISE EN GARDE

- Ne placez pas le téléviseur près ou sur des sources de chaleur, car cela peut causer un incendie ou d'autres dommages.

Fixation du téléviseur à un mur (facultatif)



- 1 Insérez et serrez les boulons à œil ou les supports et les boulons à l'arrière du téléviseur.
 - Si des boulons sont insérés dans les emplacements des boulons à œil, retirez tout d'abord les boulons.
- 2 Fixez les supports de fixation murale au mur à l'aide des boulons. Alignez les boulons à œil à l'arrière du téléviseur et les emplacements correspondants sur la fixation murale.
- 3 Attachez les boulons à œil aux supports de fixation murale à l'aide d'une corde solide. Assurez-vous d'installer la corde pour qu'elle soit horizontale relativement à une surface plane.

 **MISE EN GARDE**

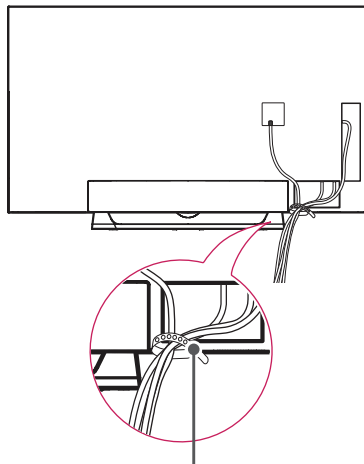
- Assurez-vous que les enfants ne grimpent pas sur le téléviseur et ne se suspendent pas à celui-ci.

 **REMARQUES**

- Utilisez une plateforme ou un meuble qui est suffisamment solide et large pour soutenir le téléviseur de manière sécuritaire.
- Les supports, les boulons et les cordes sont facultatifs. Vous pouvez obtenir des accessoires auprès de votre détaillant local.

Gestion des câbles

Regroupez et fixez les câbles à l'aide du serre-câbles à l'arrière du téléviseur.



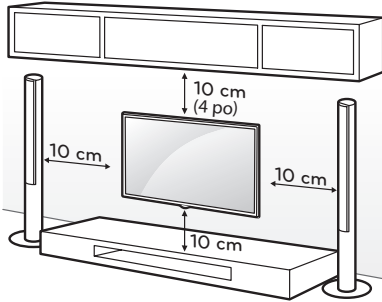
Serre-câbles

 **MISE EN GARDE**

- Ne déplacez pas le téléviseur en tenant le serre-câbles. Ce dernier pourrait se briser, ce qui pourrait occasionner des blessures et endommager le téléviseur.

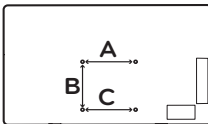
Montage mural

Une fixation murale optionnelle peut être utilisée pour installer votre téléviseur LG. Consultez votre détaillant local pour obtenir une fixation murale compatible avec votre modèle de téléviseur. Fixez soigneusement le support de fixation murale au dos de votre téléviseur. Installez-le à un mur solide qui est perpendiculaire au sol. Si vous fixez le téléviseur à d'autres matériaux de construction, veuillez faire appel à du personnel qualifié pour installer la fixation murale. Des directives détaillées seront comprises avec la fixation murale.



Assurez-vous d'utiliser les vis et les fixations murales qui correspondent aux normes. Les dimensions standards des trousse de fixation murale sont indiquées dans le tableau suivant.

Modèle	55EG9100
A x B x C	200 x 340 x 195
Vis standard	M6
Nombre de vis	4
Fixation murale (facultative)	OTW150



Fixation murale (facultative)	
OTW150	



MISES EN GARDE

- Débranchez tout d'abord l'alimentation, puis déplacez ou installez le téléviseur. Sinon, cela pourrait causer une décharge électrique.
- Si vous installez le téléviseur sur un plafond ou un mur incliné, il pourrait tomber et causer de graves blessures. Utilisez une fixation murale autorisée par LG et communiquez avec votre détaillant local ou du personnel qualifié.
- Ne serrez pas trop les vis, car cela pourrait endommager le téléviseur et annuler votre garantie.
- Utilisez les vis et les fixations murales qui correspondent aux normes. Tout dommage ou blessure résultant d'un usage abusif ou de l'utilisation d'un accessoire inapproprié n'est pas couvert par la garantie.



REMARQUES

- Utilisez les vis qui sont répertoriées dans la liste des caractéristiques applicables aux vis standards.
- La trousse de la fixation murale comprend un manuel d'installation et les pièces nécessaires.
- La fixation murale est en option. Vous pouvez obtenir des accessoires supplémentaires auprès de votre détaillant local.
- La longueur des vis peut varier selon la fixation murale. Assurez-vous d'utiliser la longueur appropriée.
- Pour de plus amples renseignements, reportez-vous au manuel livré avec la fixation murale.

ÉTABLISSEMENT DES CONNEXIONS

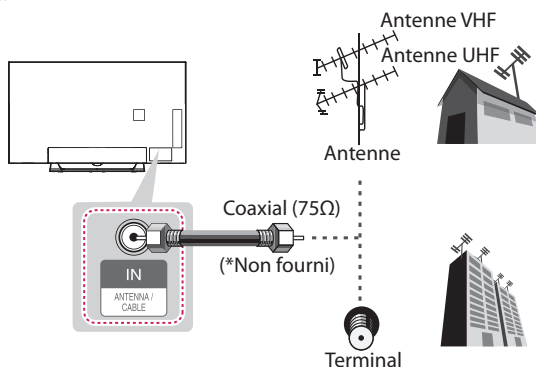
Vous pouvez brancher différents appareils au téléviseur. Sont pris en charge les récepteurs HD, les lecteurs DVD, les magnétoscopes, les systèmes audio, les dispositifs de stockage USB, les ordinateurs, les consoles de jeu et autres périphériques externes. Pour plus d'information sur la connexion de périphériques externes, consultez le manuel fourni avec chaque appareil.

! REMARQUES

- Si vous enregistrez un programme télévisé à l'aide d'un enregistreur de DVD ou d'un magnétoscope, assurez-vous de brancher le câble de signal télévisé au téléviseur par l'intermédiaire de l'enregistreur ou du magnétoscope. Pour en savoir davantage sur l'enregistrement, reportez-vous au manuel fourni avec le périphérique connecté.
- La connexion au périphérique externe peut différer de l'illustration.
- Connectez les appareils externes au téléviseur indépendamment de l'ordre du port TV.
- Si vous branchez une console de jeu au téléviseur, utilisez le câble fourni avec la console.
- Pour en savoir plus, reportez-vous au manuel d'utilisation de l'appareil externe.
- (Téléviseurs Smart seulement) Le téléviseur peut être en mesure de fonctionner sans le décodeur d'un distributeur multicanal de programmes audiovisuels (MVPD).

Raccordement à une antenne ou au câble

Raccordez le téléviseur à une antenne, au câble ou à un terminal de câblodistribution pour regarder la télévision en vous référant à ce qui suit. Les illustrations peuvent différer des articles réels et l'utilisation d'un câble RF est facultative.



! MISES EN GARDE

- Assurez-vous de ne pas plier le fil de cuivre du câble RF.



- Faites d'abord tous les branchements entre les appareils, puis branchez le cordon d'alimentation à la prise d'alimentation afin d'éviter des dommages à votre téléviseur.

! REMARQUES

- Servez-vous d'un dispositif d'aiguillage des signaux pour utiliser plus de deux téléviseurs.
- Codecs audio DTV pris en charge : MPEG, Dolby Digital.

Connexion à un récepteur HD, à un lecteur DVD ou à un magnétoscope

Reliez un récepteur HD, un lecteur DVD ou un magnétoscope au téléviseur, puis sélectionnez le mode d'entrée approprié.

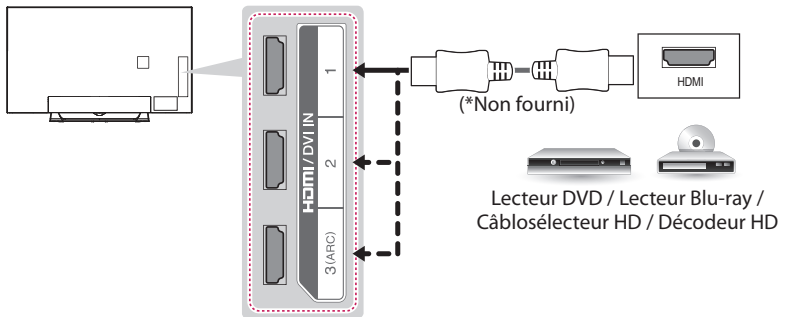
Connexion HDMI

La connexion HDMI est la meilleure qui soit.

Transmet les signaux audio et vidéo numériques d'un appareil externe vers le téléviseur. Reliez l'appareil externe et le téléviseur au moyen d'un câble HDMI, comme indiqué sur l'illustration suivante.

! REMARQUES

- Utilisez le modèle de câble HDMI™ haute vitesse le plus récent avec fonction CEC (Consumer Electronics Control).
- Les câbles HDMI™ haute vitesse sont testés afin de transmettre un signal HD jusqu'à 1080p ou plus.
- Formats audio HDMI pris en charge : PCM (32 kHz / 44,1 kHz / 48 kHz / 96 kHz / 192 kHz)



ARC (Audio Return Channel)

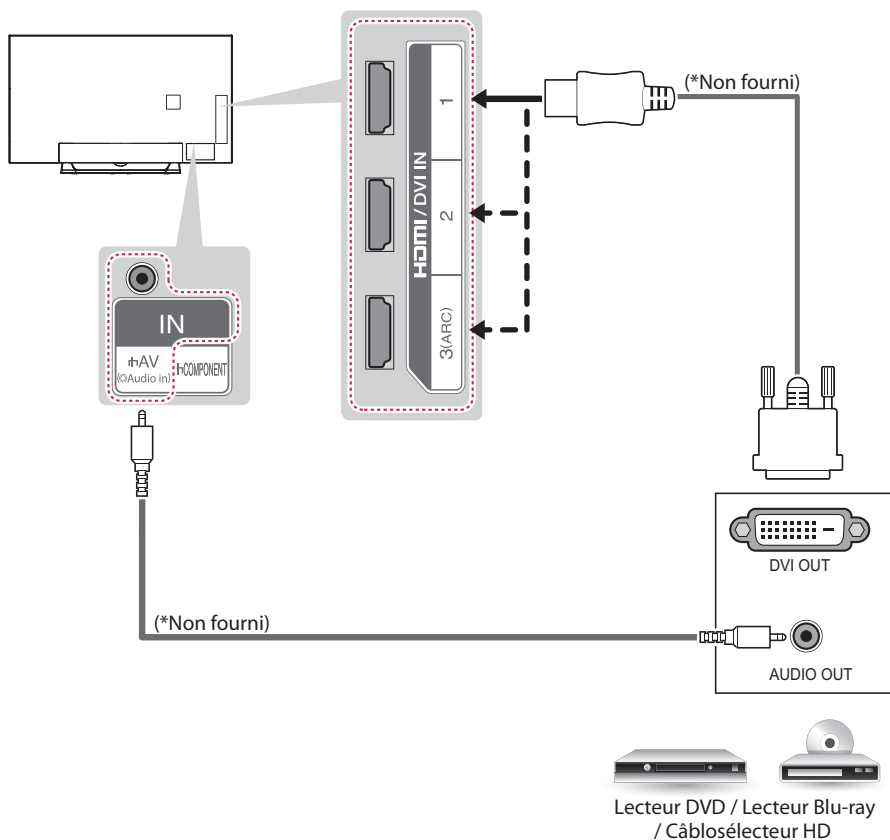
- Dans le cas d'une connexion par câble HDMI haute vitesse, la sortie audio numérique peut être envoyée à un appareil compatible sans qu'il soit nécessaire d'utiliser un câble optique supplémentaire.
- Le mode ARC ne fonctionne qu'avec le port d'entrée **HDMI / DVI IN 3 (ARC)**. Un dispositif audio externe prenant en charge ARC doit être branché sur le port d'entrée **HDMI / DVI IN 3 (ARC)** si vous désirez utiliser le mode ARC.

Connexion DVI à HDMI

Transmet les signaux vidéo numériques d'un appareil externe vers le téléviseur. Reliez l'appareil externe et le téléviseur au moyen d'un câble DVI-HDMI, comme l'indique l'illustration suivante. Pour transmettre le signal audio, branchez un câble audio en option.

REMARQUE

- Si vous utilisez un câble HDMI/DVI, seule une liaison simple est possible.

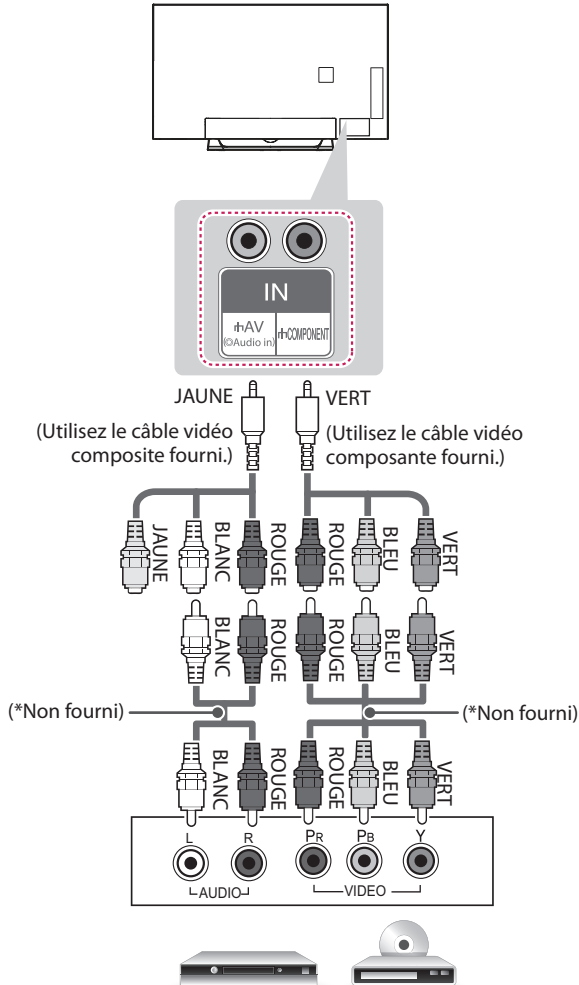


Connexion composante

Transmet les signaux audio et vidéo analogiques d'un appareil externe vers le téléviseur. Reliez l'appareil externe et le téléviseur au moyen d'un câble composante, comme indiqué sur l'illustration suivante.

! REMARQUES

- Si les câbles ne sont pas correctement branchés, l'image risque de s'afficher en noir et blanc ou les couleurs peuvent être déformées.
- **Assurez-vous que chaque câble est branché sur la borne de la couleur correspondante.**



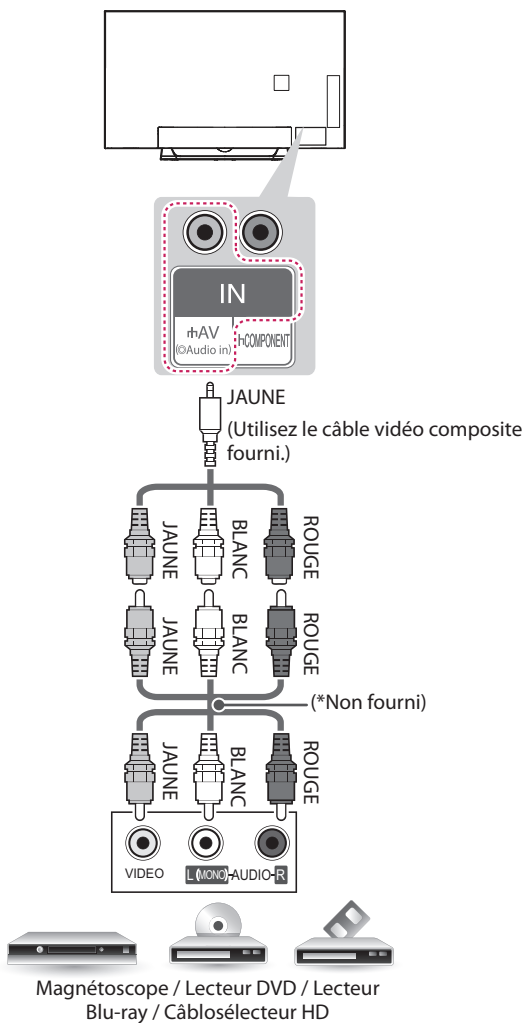
Lecteur DVD / Lecteur Blu-ray / Câblesélecteur HD

Connexion composite

Transmet les signaux audio et vidéo analogiques d'un appareil externe vers le téléviseur. Reliez l'appareil externe et le téléviseur au moyen d'un câble composite, comme indiqué sur l'illustration suivante.

! REMARQUES

- Si vous possédez un magnétoscope mono, branchez son câble audio dans la prise AUDIO L/MONO du téléviseur.
- **Assurez-vous que chaque câble est branché sur la borne de la couleur correspondante.**



Connexion à un PC

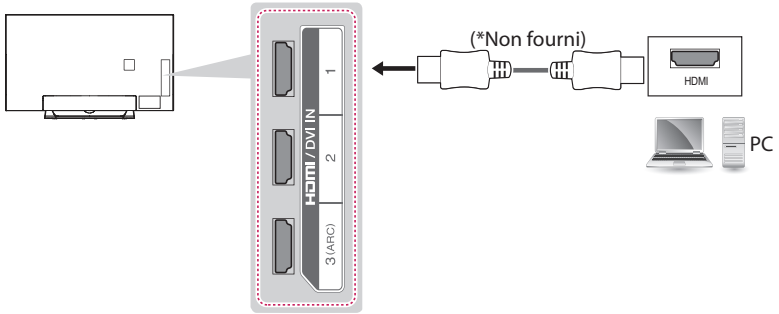
! REMARQUES

- Pour une qualité d'image optimale, nous vous conseillons d'utiliser une connexion HDMI sur votre téléviseur.
- Selon votre carte graphique, il est possible que le mode DOS ne fonctionne pas si vous utilisez un câble HDMI à DVI.
- En mode PC, il peut y avoir du bruit associé à la résolution, au motif vertical, au contraste ou à la brillance. Si vous observez du bruit, changez la résolution de la sortie PC, changez la fréquence de rafraîchissement, ou réglez la brillance et le contraste dans le menu IMAGE pour obtenir une image nette.
- Les formes des ondes des sources de synchronisation sont distinctes pour les fréquences horizontale et verticale.
- Selon votre carte graphique, il est possible que certains réglages de résolution ne permettent pas le positionnement correct de l'image sur l'écran.
- Si vous utilisez une sortie DVI provenant d'un PC, vous devez y relier une source audio analogique séparément. Reportez-vous aux instructions de la page suivante.
- Si vous utilisez un câble HDMI/DVI, seule une liaison simple est possible.

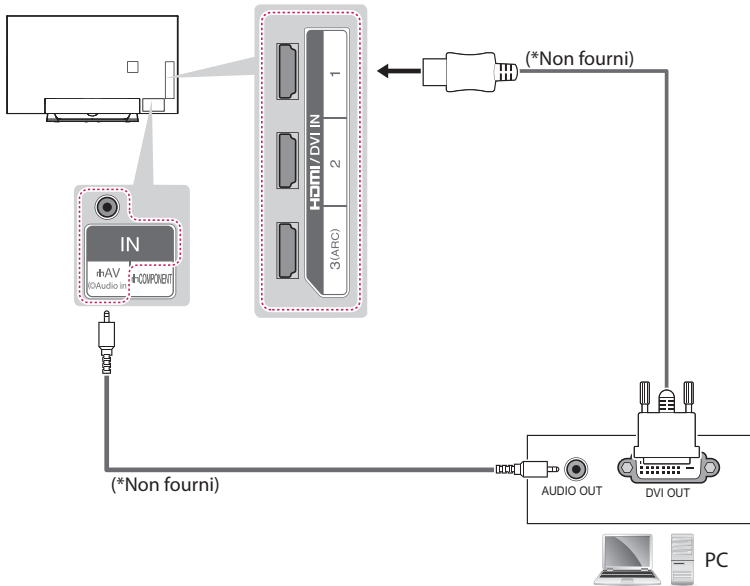
Connexion HDMI ou connexion DVI à HDMI

Choisissez le mode de connexion A ou B.

Mode A : Connexion HDMI



Mode B : Connexion DVI à HDMI



Connexion d'un système audio

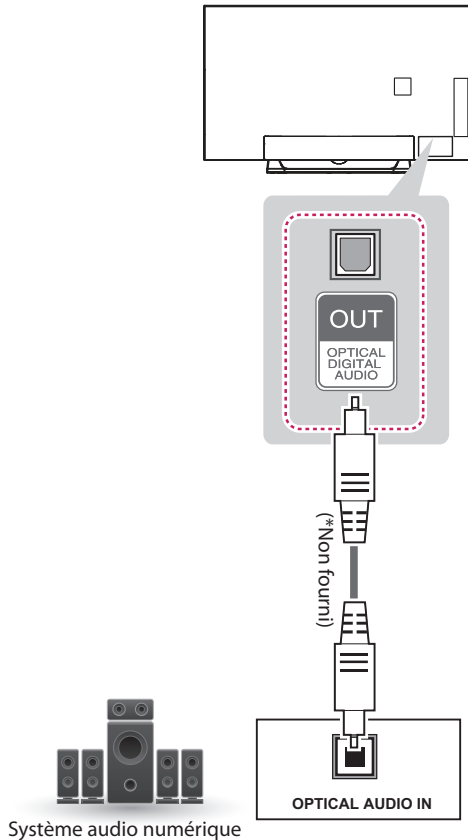
Vous pouvez utiliser un système audio externe plutôt que les haut-parleurs du téléviseur.

Connexion audio optique numérique

Transmet le signal audio optique numérique du téléviseur vers un appareil externe. Reliez l'appareil externe et le téléviseur au moyen d'un câble audio optique, comme indiqué sur l'illustration suivante.

! REMARQUES

- Ne regardez pas à l'intérieur du port de sortie optique, car le faisceau laser qu'il émet pourrait endommager votre vision.
- La fonction audio avec ACP (Audio Copy Protection) peut bloquer la sortie audio numérique.



Système audio numérique

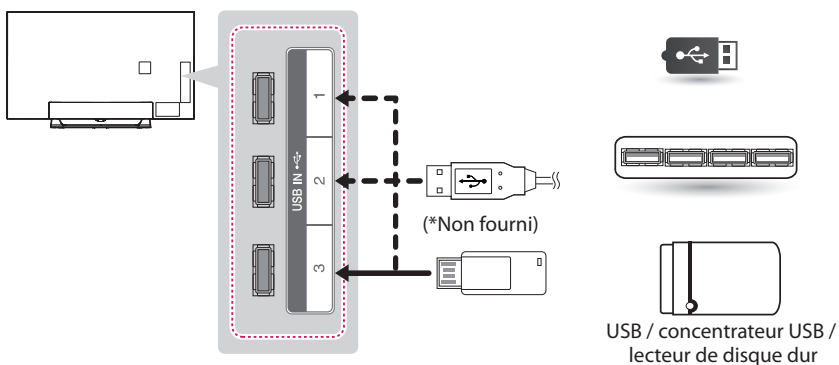
Branchement d'un dispositif USB

Connectez un dispositif de stockage USB, comme une clé USB à mémoire flash, un disque dur externe ou un lecteur de carte mémoire USB, au téléviseur et accédez au menu SmartShare pour utiliser divers fichiers multimédias.

! REMARQUES

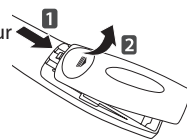
- Certains concentrateurs USB pourraient ne pas fonctionner. Si un dispositif USB connecté à l'aide d'un concentrateur USB n'est pas détecté, branchez-le directement sur le port USB du téléviseur.

Choisissez un port d'entrée USB.
Vous pouvez utiliser n'importe lequel.



FONCTIONS DE LA TÉLÉCOMMANDE MAGIC

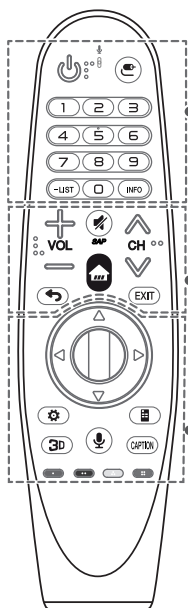
Lorsque s'affiche le message « *Les piles de la télécommande Magic sont faibles. Remplacez-les.* », remplacez les piles. Pour changer les piles, ouvrez le couvercle de leur compartiment et insérez des piles (AA de 1,5 volt) en faisant correspondre les bornes ⊕ et ⊖ à ce qui figure sur l'étiquette à l'intérieur du compartiment, puis remettez le couvercle en place. Le non-respect des polarités de la pile pourrait causer l'explosion de la pile ou une fuite et entraîner un incendie, des blessures corporelles ou un risque de pollution pour l'environnement. Assurez-vous d'orienter la télécommande vers le capteur du téléviseur. Pour retirer les piles, suivez le processus ci-dessus dans l'ordre inverse.



MISE EN GARDE

- N'utilisez pas une combinaison de piles usées et neuves, ce qui pourrait endommager la télécommande.

Cette télécommande fonctionne par lumière infrarouge. Assurez-vous d'orienter la télécommande vers le capteur de télécommande du téléviseur.



(POWER) Allume ou éteint le téléviseur.

(ENTRÉE) Change de source d'entrée.

* Maintenir enfoncé le bouton **(ENTRÉE)** permet d'afficher la liste de toutes les entrées externes.

Touches numériques Permettent d'entrer des chiffres.

— (Tiret) Insère un tiret entre des chiffres, comme 2-1 et 2-2.

LIST Affiche la liste de chaînes enregistrées.

INFO Affiche des données sur le programme en cours.

+ VOL — Règle le volume.

(SOURDINE) Désactive tous les sons.

* La fonction de descriptions audio/vidéo peut être activée en maintenant enfoncé le bouton .

* La fonction **SAP** (Secondary Audio Program) peut également être activée en appuyant sur le bouton .

(Home) Permet d'accéder au menu d'accueil.

CH Permet de se déplacer entre les émissions enregistrées et les chaînes.

(Retour) Pour revenir à l'écran précédent.

EXIT Supprime tout le texte affiché à l'écran et permet de retourner au contenu télé.

Molette (OK) Appuyez au centre de la molette pour sélectionner un menu. Vous pouvez changer de chaîne à l'aide de la molette.

△▽◀▶ (haut/bas/gauche/droite) Appuyez sur les touches de navigation haut, bas, gauche ou droite pour parcourir le menu. Si vous appuyez sur les touches △▽◀▶ alors que le pointeur est utilisé, celui-ci disparaîtra de l'écran et la télécommande Magic fonctionnera comme une télécommande normale. Pour afficher de nouveau le pointeur à l'écran, secouez la télécommande Magic de gauche à droite.

(RÉGLAGES RAPIDES) Permet d'accéder aux réglages rapides.

* Maintenir enfoncé le bouton **(RÉGLAGES RAPIDES)** permet d'afficher le menu **Paramètres avancés**.

(commande à l'écran) Affiche la commande à l'écran.

* Accède au menu de la commande universelle dans certaines régions.

3D Utilisé lors du visionnement de vidéos en 3D. (pour téléviseur 3D)

(Reconnaissance vocale)

Une connexion réseau est requise pour utiliser la fonction de reconnaissance vocale.

1. Appuyez sur la touche de reconnaissance vocale.

2. Prononcez votre commande lorsque la fenêtre de commande vocale apparaît à l'écran du téléviseur.

* Assurez-vous que la télécommande Magic se trouve à moins de 10 cm (4 po) de votre visage lorsque vous vous en servez.

* La reconnaissance vocale risque d'échouer si vous parlez trop vite ou trop lentement.

* La précision de la reconnaissance peut varier selon les utilisateurs (voix, prononciation, intonation et débit) et l'environnement (bruit et volume du téléviseur).

CAPTION Active ou désactive les sous-titres.


Touches colorées Permettent d'accéder à des fonctions spéciales dans certains menus. (● rouge, ● vert, ● jaune, ● bleu)

Enregistrement de la télécommande Magic


Enregistrement de la télécommande Magic

 (Molette)	<p>Avant de pouvoir utiliser la télécommande Magic, vous devez la jumeler au téléviseur.</p> <p>1 Insérez des piles dans la télécommande Magic et allumez le téléviseur.</p> <p>2 Pointez la télécommande Magic vers votre téléviseur et appuyez sur la (Molette OK) de la télécommande.</p> <p>* Si le téléviseur n'arrive pas à enregistrer la télécommande Magic, éteignez-le et rallumez-le, puis essayez de l'enregistrer de nouveau.</p>
--	---

Nouvelle tentative d'enregistrement de la télécommande Magic

 (RETOUR) (Home)	<p>Appuyez simultanément sur les touches (RETOUR) et (Home) pendant cinq secondes pour annuler le jumelage entre votre téléviseur et la télécommande Magic.</p> <p>» La touche EXIT vous permet d'annuler l'opération et d'enregistrer de nouveau la télécommande Magic.</p>
--	---

Utilisation de la télécommande Magic

	<ul style="list-style-type: none"> • Secouez légèrement la télécommande Magic de gauche à droite ou appuyez sur les touches (Home), (Entrée), 3D pour afficher le pointeur à l'écran. (Pour certains modèles de téléviseurs, le pointeur apparaît lorsque vous tournez la molette.) • Si vous n'avez pas utilisé le pointeur depuis un certain temps ou si la télécommande Magic est posée sur une surface plane, le pointeur disparaîtra. • Si le pointeur ne répond pas correctement, secouez la télécommande Magic de gauche à droite. Le pointeur se déplacera au centre de l'écran. • Les piles de la télécommande Magic se déchargent plus rapidement que celles d'une télécommande normale en raison des fonctions supplémentaires de la télécommande Magic.
--	--

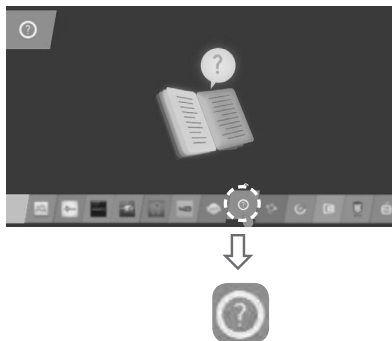
Précautions à prendre

- Utilisez la télécommande à la distance recommandée (10 m, 32,8 pi max.). Vous pourriez éprouver des problèmes de communication si vous utilisez le dispositif hors de la zone de portée ou si des obstacles se trouvent dans cette zone.
- Vous pourriez éprouver des problèmes de communication avec certains accessoires. Des appareils comme un four à micro-ondes ou une carte réseau sans fil utilisent la même bande de fréquence (2,4 GHz) que la télécommande Magic. Ils peuvent nuire à la communication.
- La télécommande Magic peut ne pas fonctionner correctement si un routeur sans fil (point d'accès) se trouve à moins d'un mètre du téléviseur. Votre routeur sans fil doit demeurer à plus d'un mètre du téléviseur.
- Ne désassemblez pas les piles et évitez de les chauffer.
- Ne laissez pas tomber les piles. Évitez les chocs extrêmes contre les piles.
- L'insertion des piles dans le mauvais sens pourrait provoquer une explosion.

UTILISATION DU GUIDE DE L'UTILISATEUR

Le guide de l'utilisateur vous permet d'accéder plus facilement aux renseignements détaillés de votre téléviseur.

- 1 Appuyez sur la touche **(Home)** pour afficher le menu d'accueil (Home).
- 2 Sélectionnez **Guide de l'utilisateur** et appuyez sur la touche **(Molette OK)**.



CARACTÉRISTIQUES

Les caractéristiques techniques sont susceptibles d'être modifiées sans préavis en raison des mises à niveau des fonctions des produits.

Alimentation		AC 120 V ~ 50 / 60 Hz
Système télévisuel		NTSC-M, ATSC, 64 et 256 QAM
Programmation		VHF 2-13, UHF 14-69, CATV 1-135, DTV 2-69, CADTV 1-135
Impédance de l'antenne externe		75 Ω
Conditions d'utilisation	Température de fonctionnement	De 0 °C à 40 °C
	Humidité de fonctionnement	Moins de 80 %
	Température de stockage	De -20 °C à 60 °C
	Humidité de stockage	Moins de 85 %



MODÈLES		55EG9100 (55EG9100-UB)
Dimensions L x H x E (P)	Avec support	1 225 x 760 x 208 (mm) 48,2 x 29,9 x 8,1 (pouces)
	Sans support	1 225 x 719 x 48,9 (87,3) (mm) 48,2 x 28,3 x 1,9 (3,4) (pouces)
Poids	Avec support	15,0 kg (33,0 lb)
	Sans support	12,8 kg (28,2 lb)
Valeur courante / Consommation électrique		3,2 A / 320 W

Caractéristiques du module réseau sans fil (LGSBW41)			
Module réseau sans fil		Bluetooth	
Norme	IEEE 802.11a/b/g/n	Norme	Bluetooth, version 4.0
Gamme de fréquences	2 400 à 2 483,5 MHz 5 150 à 5 250 MHz 5 725 à 5 850 MHz	Gamme de fréquences	2 400 à 2 483,5 MHz
Puissance de sortie (maximale)	802.11a : 11,5 dBm 802.11b : 11 dBm 802.11g : 10,5 dBm 802.11n - 2,4 GHz : 11 dBm 802.11n - 5 GHz : 12,5 dBm	Puissance de sortie (maximale)	10 dBm ou moins
<ul style="list-style-type: none"> • Code FCC ID : BEJLGSBW41 / Code IC : 2703H-LGSBW41 			

- Comme la bande de fréquence utilisée peut différer selon le pays, l'utilisateur ne peut pas modifier ou régler la fréquence de fonctionnement de ce produit, qui a été réglée selon le tableau des fréquences régionales.
- Cet appareil doit être installé et utilisé à une distance minimale de 20 cm (7,8 po) de votre corps. Cet énoncé général prend en considération l'environnement de l'utilisateur.

ENTRETIEN

Nettoyage du téléviseur

Nettoyez régulièrement votre téléviseur pour assurer une performance optimale et prolonger sa durée de vie.



MISES EN GARDE

- Assurez-vous d'éteindre l'appareil et de débrancher le cordon d'alimentation et tous les autres câbles avant de procéder au nettoyage.
- En cas d'absence prolongée ou si vous ne comptez pas utiliser votre téléviseur pendant une longue période, débranchez le cordon d'alimentation de la prise murale afin d'éviter les dommages causés par la foudre ou les surtensions.

Écran, cadre, boîtier et support

Pour éliminer la poussière ou les saletés, essuyez la surface à l'aide d'un chiffon sec, propre et doux. En cas de salissure importante, essuyez la surface à l'aide d'un chiffon doux imbibé d'eau propre ou de détergent doux dilué. Essayez ensuite immédiatement avec un chiffon sec.



MISES EN GARDE

- Évitez de pousser sur la surface, de la frotter ou de la heurter avec vos ongles ou avec des objets pointus, car vous risqueriez d'égratigner l'écran et de provoquer des déformations de l'image.
- N'utilisez aucun produit chimique (cires, benzène, alcool, diluants, insecticides, désodorisants, lubrifiants ou autres), au risque d'endommager la finition de l'écran et de provoquer des décolorations.
- Ne vaporisez pas de liquides sur la surface. Si de l'eau pénètre dans le téléviseur, il y a danger d'incendie, d'électrocution ou de mauvais fonctionnement de l'appareil.

Cordon d'alimentation

Enlevez régulièrement la poussière ou la saleté sur le cordon d'alimentation.

DÉPANNAGE

Problème	Solution
La télécommande ne fonctionne pas.	<ul style="list-style-type: none"> • Vérifiez le capteur de télécommande sur le téléviseur et réessayez. • Vérifiez qu'aucun obstacle n'empêche la communication entre l'appareil et la télécommande. • Vérifiez que les piles fonctionnent et qu'elles sont correctement insérées (+ à +, - à -).
Le téléviseur ne produit ni d'image ni de son.	<ul style="list-style-type: none"> • Vérifiez que le téléviseur est allumé. • Vérifiez que le cordon d'alimentation est branché dans une prise murale. • Vérifiez que la prise murale fonctionne en y branchant d'autres appareils.
Le téléviseur s'éteint brusquement.	<ul style="list-style-type: none"> • Vérifiez les réglages de commande de l'alimentation. Il y a peut-être eu une coupure de courant. • Vérifiez si la fonction de Minuterie/Arrêt de la minuterie a été activée dans les réglages Minuteries. • En l'absence de signal, le téléviseur s'éteint automatiquement au bout de 15 minutes d'inactivité.



Attestation de conformité

Nom de commerce	LG
Modèle	55EG9100-UB
Partie responsable	LG Electronics Inc.
Adresse	1000 Sylvan Ave. Englewood Cliffs NJ 07632 U.S.A
Téléphone	201-266-2534

Les numéros de modèle et de série sont situés au dos et sur le côté du téléviseur. Inscrivez-les ci-dessous au cas où vous auriez besoin de service.

MODÈLE _____

NUMÉRO DE SÉRIE _____

Centre d'information à la clientèle LG

Pour toute question ou commentaire, accédez à www.lg.com ou appelez :

1-888-542-2623	CANADA
1-800-243-0000	États-Unis, résidentiel
1-888-865-3026	États-Unis, commercial

Enregistrez votre produit en ligne!

www.lg.com



Ce produit est conforme aux normes ENERGY STAR® lorsque le « réglage d'usine par défaut (Résidentiel) » est sélectionné. Modifier les réglages d'usine par défaut ou activer d'autres fonctionnalités augmente la consommation d'énergie qui pourrait alors dépasser les limites de la qualification ENERGY STAR®. Consultez le site ENERGYSTAR.gov pour en savoir plus au sujet du programme ENERGY STAR®.



MANUEL D'UTILISATION

CONFIGURATION DE L'APPAREIL DE COMMANDE EXTERNE

Veuillez lire ce manuel attentivement avant d'utiliser votre appareil et conservez-le pour pouvoir vous y reporter ultérieurement.

CODES CLÉS

- Cette fonction n'est pas offerte sur tous les modèles.

Code (hexa)	Fonction	Remarque	Code (hexa)	Fonction	Remarque
00	CH +, PR +	Touche R/C	53	Liste	Touche R/C
01	CH -, PR -	Touche R/C	5B	Sortie	Touche R/C
02	Volume +	Touche R/C	60	PIP(AD)	Touche R/C
03	Volume -	Touche R/C	61	Bleu	Touche R/C
06	> (Touche de direction / Flèche droite)	Touche R/C	63	Jaune	Touche R/C
07	< (Touche de direction / Flèche gauche)	Touche R/C	71	Vert	Touche R/C
08	Mise sous tension	Touche R/C	72	Rouge	Touche R/C
09	Sourdine	Touche R/C	79	Ratio / Allongement	Touche R/C
0B	Source	Touche R/C	91	AD (Audio Description)	Touche R/C
0E	SLEEP	Touche R/C	7A	Guide de l'utilisateur	Touche R/C
0F	TV, TV/RAD	Touche R/C	7C	Smart / Home	Touche R/C
10 - 19	Touches numériques 0 à 9	Touche R/C	7E	SIMPLINK	Touche R/C
1A	Q.View / Flashback	Touche R/C	8E	▶▶ (avance rapide)	Touche R/C
1E	FAV (chaînes préférées)	Touche R/C	8F	◀◀ (retour arrière)	Touche R/C
20	Texte (Télétexte)	Touche R/C	AA	Info	Touche R/C
21	T. Opt (option Télétexte)	Touche R/C	AB	Guide de programmes	Touche R/C
28	RETOUR	Touche R/C	B0	▶ (Lecture)	Touche R/C
30	Mode AV (audio/vidéo)	Touche R/C	B1	■ (Arrêt / Fichier Liste)	Touche R/C
39	Sous-titres	Touche R/C	BA	(Figer l'image / Ralenti / Pause)	Touche R/C
40	^ (Touche de direction / Flèche haut)	Touche R/C	BB	Football	Touche R/C
41	V (Touche de direction / Flèche bas)	Touche R/C	BD	● (REC)	Touche R/C
42	Mes applications	Touche R/C	DC	3D	Touche R/C
43	Menu / Paramètres	Touche R/C	99	Configuration automatique	Touche R/C
44	OK / Enter	Touche R/C	9F	App (Application) / *	Touche R/C
45	Q. menu	Touche R/C	9B	TV, PC	Touche R/C
4C	Liste, - (ATSC seulement)	Touche R/C			

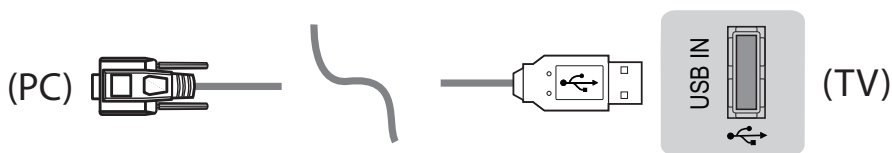
* Le code clé 4C (0x4C) est disponible sur les modèles ATSC/ISDB, qui utilisent un canal majeur/mineur. (Modèles vendus en Corée du Sud, au Japon, en Amérique du Nord, en Amérique latine, à l'exception de la Colombie)

CONFIGURATION DE L'APPAREIL DE COMMANDE EXTERNE

- Les illustrations peuvent ne pas correspondre tout à fait à votre téléviseur.
- * Branchez la prise d'entrée de l'adaptateur USB/Série RS-232C sur un appareil de commande externe (comme un ordinateur ou un système de commande audio-vidéo) pour commander les fonctions du produit de façon externe.
- *
- * Remarque: Le type de port de contrôle sur le téléviseur peut varier selon les modèles.
- *
- * Veuillez noter que tous les modèles ne prennent pas en charge ce type de connexion.
- * Câble non fourni.

Adaptateur USB/Série avec câble USB

Type USB

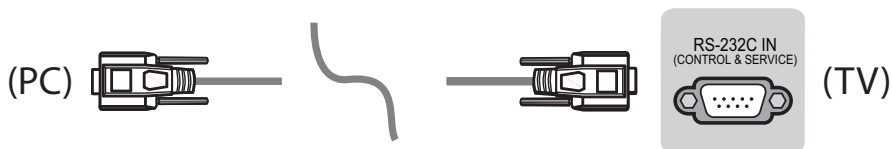


- Téléviseur LG compatible avec l'adaptateur USB/Série à puce PL2303 (Réf. fabricant : 0x0557, Réf. produit : 0x2008) qui n'est ni fabriqué ni fourni par LG.
- Vous pourrez l'acquérir auprès de distributeurs spécialisés en informatique professionnelle.

RS-232C avec câble RS-232C (ancienne génération)

DE9 (D-Sub 9pin) Type

- You need to purchase the RS-232C (DE9, D-Sub 9pin female-to-female type) to RS-232C cable required for the connection between the PC and the TV, which is specified in the manual.

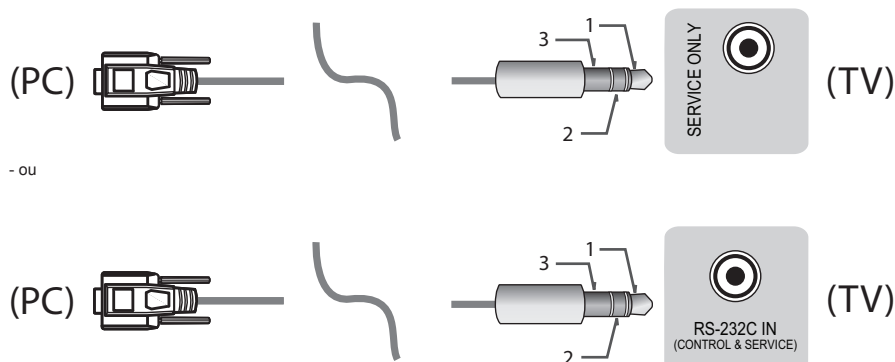


- Ce type de connexion ne peut être utilisé que pour les modèles suivants : 55/65/LA97**, 84LA98**

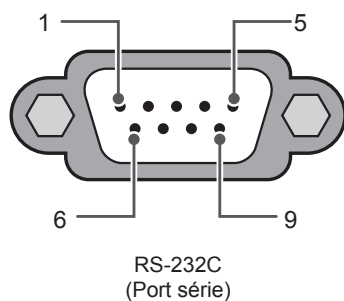
RS-232C avec câble RS-232C (ancienne génération)

Type de prise téléphone

- Vous devez disposer du câble de type sortie casque/RS-232 pour établir la connexion entre votre ordinateur et le téléviseur, comme indiqué dans le manuel.
- * Pour les autres modèles, brancher sur le port USB.
- * L'interface de connexion peut être différente de celle de votre téléviseur.

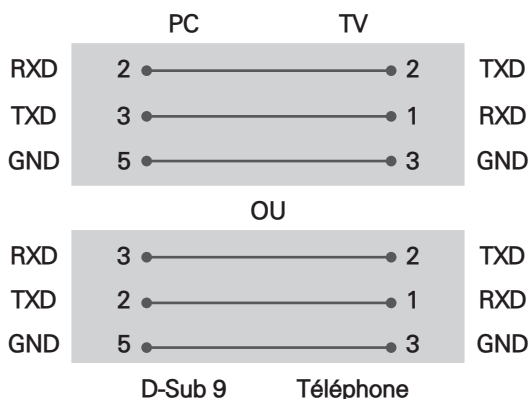


Ordinateur du client



Configurations RS-232C

Configurations à 3 broches (non standard)



Identité télé

Pour définir le numéro d'identité, voir la section « **Correspondance avec les données réelles** » page 6.

1. Appuyez sur **PARAMÈTRES** pour accéder aux menus principaux.
2. Appuyez sur les touches de navigation pour faire défiler l'affichage jusqu'à (**Général** → **À propos de ce téléviseur** ou **OPTION**) et appuyez sur **OK**.
3. Appuyez sur les touches de navigation pour **RÉGLER L'IDENTITÉ TÉLÉ** et appuyez sur **OK**.
4. Choisissez un numéro d'identité en faisant défiler l'affichage vers la gauche ou la droite et sélectionnez **FERMER**. La plage de réglage s'étend de 1 à 99.
5. Lorsque vous avez terminé, appuyez sur **EXIT**.
*(selon le modèle)

Paramètres de communication

- Débit en baud : 9 600 b/s (UART)
- Longueur de données : 8 bits
- Parité : Aucune
- Bit d'arrêt : 1 bit
- Code de communication : Code ASCII
- Utilisez un câble croisé (inversé).

Liste de référence des commandes

(selon le modèle)

	COMMAND1	COMMAND2	DATA (Hexadécimal)		COMMAND1	COMMAND2	DATA (Hexadécimal)
01. Mise sous tension*	k	a	00 à 01	15. Équilibre	k	t	00 à 64
02. Allongement	k	c	(page 7.)	16. Température de couleur	x	u	00 à 64
03. Sourdine écran	k	d	(page 7.)	17. ISM Méthode (uniquement pour téléviseurs plasma)	j	p	(page 8.)
				18. Équaliseur	j	v	(page 8.)
04. Sourdine volume	k	e	00 à 01	19. Économie d'énergie	j	q	00 à 05
05. Réglage du volume	k	f	00 à 64	20. Commandes de syntonisation	m	a	(page 9.)
06. Contraste	k	g	00 à 64	21. Canal (Programme) ajouter/supprimer (sauter)	m	b	00 à 01
07. Brillance	k	h	00 à 64	22. Touche	m	c	Code clé
08. Couleur	k	i	00 à 64	23. Contrôle rétroéclairage Commande de la luminosité du panneau	m	g	00 à 64
09. Teinte	k	j	00 à 64	24. Sélection d'entrée (principale)	x	b	(page 11.)
10. Netteté	k	k	00 à 32	25. 3D (modèles 3D uniquement)	x	t	(page 11.)
11. Sélection de l'afficheur	k	l	00 à 01	26. 3D étendu (modèles 3D uniquement)	x	v	(page 11.)
12. Télécommande Mode verrouillage	k	m	00 à 01	27. Configuration automatique	j	u	(Voir p. 12)
13. Treble (Aigus)	k	r	00 à 64				
14. Bass (Graves)	k	s	00 à 64				

* Remarque: Durant la lecture de contenu multimédia enregistré, toutes les commandes, à l'exception des commandes Power (Alimentation) (ka) et Key (Touche) (mc), sont désactivées et traitées en tant que NG. Grâce au câble RS232C, le téléviseur peut communiquer « ka command », qu'il soit allumé ou éteint. Avec le câble convertisseur port USB à port série, la commande ne fonctionne que si le téléviseur est allumé.

Protocole de transmission / réception

Transmission

[Command1][Command2][][Set ID][][Data][Cr]

[Command 1] : Première commande du téléviseur (j, k, m ou x).

[Command 2] : Deuxième commande du téléviseur.

[Set ID] : Vous pouvez choisir à l'aide de cette fonction le numéro d'identité du moniteur dans le menu Option. La plage de réglage est de 1 à 99. Si vous sélectionnez « 0 », chaque appareil connecté est commandé.

* L'identité télé est indiquée sous forme décimale (1 à 99) dans le menu et sous forme hexadécimale (0x0 à 0x63) dans le protocole de transmission/réception.

[DATA] : Pour transmettre la commande de données (hexadécimales). Transmet les données « FF » pour lire l'état de la commande.

[Cr] : Retour de chariot – code ASCII « 0x0D »

[] : Espace – code ASCII « 0x20 »

Accusé de réception OK

[Command2][][Set ID][][OK][Data][x]

* Le téléviseur transmet un accusé de réception (ACK) basé sur ce format en cas de réception de données normales. À ce moment, si les données sont en mode de lecture, les données d'état actuelles sont indiquées. Si les données sont en mode d'écriture, elles sont retournées à l'ordinateur.

Accusé de réception d'erreur

[Command2][][Set ID][][NG][Data][x]

* Le téléviseur transmet un accusé de réception (ACK) basé sur ce format en cas de réception de données anormales provenant de fonctions non viables ou d'erreurs de communication.

Données 00 : Code illégal

Correspondance avec les données réelles (Hexadécimal b Decimal)

* Lorsque vous saisissez les [data] au format hexadécimal, veuillez consulter la table de conversion suivante.

* La commande de syntonisation des canaux (ma) utilise une valeur hexadécimale à 2 octets ([data]) pour sélectionner le numéro du canal.

00 : Étape 0	32 : Étape 50 (Identité télé 50)	FE : Étape 254
01 : Étape 1 (Identité télé 1)	33 : Étape 51 (Identité télé 51)	FF : Étape 255
...
0A : Étape 10 (Identité télé 10)	63 : Étape 99 (Identité télé 99)	01 00 : Étape 256
...
0F : Étape 15 (Identité télé 15)	C7 : Étape 199	27 0E : Étape 9998
10 : Étape 16 (Identité télé 16)	C8 : Étape 200	27 0F : Étape 9999
...

* Les commandes peuvent fonctionner de façon différente en fonction des modèles et du signal.

01. Mise sous tension (commande : k a)

- Pour *activer/désactiver l'appareil.

Transmission [k][a][][Set ID][][Data][Cr]

Données 00 : Hors tension Données 01 : *Active tension

Accusé de réception [a][][Set ID][][OK/NG][Data][x]

- Pour savoir si le téléviseur est allumé ou *éteint

Transmission [k][a][][Set ID][][FF][Cr]

Accusé de réception [a][][Set ID][][OK][Data][x]

* De la même façon, si d'autres fonctions transmettent des données « FF » basées sur ce format, la rétroaction de données d'accusé de réception présente l'état de chaque fonction.

02. Allongement (commande : k c) (taille de l'image principale)

- Pour régler le format d'écran (format de l'image principale). Vous pouvez également régler le format de l'écran en utilisant l'option Allongement dans Q.MENU ou dans le menu IMAGE.

Transmission [k][c][][Set ID][][Data][Cr]

Données 01 : Écran normal07 : 14:9
(4:3) (Europe, Colombie,
02 : Format Moyen-Orient, Asie à
panoramique l'exception de la Corée
(16:9) du Sud et du Japon)
04 : Zoom 09 : Sur mesure
05 : Zoom 2 0B : Largeur intégrale
(sauf Amérique (Europe, Taïwan,
latine Colombie Moyen-Orient, Chine,
uniquement) Hong Kong, Colombie
06 : Selon source uniquement)
/ 10 à 1F : Zoom cinéma
Original 1 à 16

Accusé de réception [c][][Set ID][][OK/NG][Data][x]

- * À l'aide de l'entrée PC, vous pouvez modifier l'allongement de l'écran (16:9 ou 4:3).
- * Dans les modes DTV/HDMI/Composante (haute définition), l'option Sur Mesure est disponible.
- * Le mode panoramique peut fonctionner de façon différente selon les modèles. Il est compatible entièrement avec le mode DTV et partiellement avec le mode ATV.

03. Sourdine écran (commande : k d)

- Pour activer/désactiver la sourdine d'écran.

Transmission [k][d][][Set ID][][Data][Cr]

Données 00 : Sourdine d'écran désactivée (Image activée)
Sourdine vidéo désactivée
01 : Sourdine d'écran activée (Image désactivée)
10 : Sourdine vidéo activée.

Accusé de réception [d][][Set ID][][OK/NG][Data][x]

- * Si seule la sourdine vidéo est activée, le téléviseur affichera l'afficheur. Toutefois, si la sourdine d'écran est activée, le téléviseur n'affichera pas l'afficheur.

04. Sourdine volume (commande : k e)

- Pour activer/désactiver la sourdine de volume. Vous pouvez également activer ou désactiver la sourdine à l'aide de la touche MUTE de la télécommande.

Transmission [k][e][][Set ID][][Data][Cr]

Données 00 : Sourdine volume activée (volume désactivé)
01 : Sourdine volume désactivée (Volume activé)

Accusé de réception [e][][Set ID][][OK/NG][Data][x]

05. Réglage du volume (commande : k f)

- Pour régler le volume. Vous pouvez également régler le volume à l'aide des touches de volume de la télécommande.

Transmission [k][f][][Set ID][][Data][Cr]

Données Min : 00 à Max. : 64

Accusé de réception [f][][Set ID][][OK/NG][Data][x]

06. Contraste (commande : k g)

- Pour régler le contraste de l'écran. Vous pouvez également régler la netteté dans le menu IMAGE.

Transmission [k][g][][Set ID][][Data][Cr]

Données Min. : 00 à Max. : 64

Accusé de réception [g][][Set ID][][OK/NG][Data][x]

07. Brillance (commande : k h)

- Pour régler la brillance de l'écran. Vous pouvez également régler la brillance dans le menu IMAGE.

Transmission [k][h][][Set ID][][Data][Cr]

Données Min. : 00 à Max. : 64

Accusé de réception [h][][Set ID][][OK/NG][Data][x]

08. Couleur (commande : k i)

- Pour ajuster la tonalité de couleur de l'écran. Vous pouvez également régler la couleur dans le menu IMAGE.

Transmission [k][i][][Set ID][][Data][Cr]

Données Min. : 00 à Max. : 64

Accusé de réception [i][][Set ID][][OK/NG]
[Data][x]

09. Teinte (commande : k j)

- Pour régler la teinte de l'écran. Vous pouvez également régler la teinte dans le menu IMAGE.

Transmission [k][j][][Set ID][][Data][Cr]

Données Rouge : 00 à Vert : 64

Accusé de réception [j][][Set ID][][OK/NG]
[Data][x]

10. Netteté (commande : k k)

- Pour régler la netteté de l'écran. Vous pouvez également régler la netteté dans le menu IMAGE.

Transmission [k][k][][Set ID][][Data][Cr]

Données Min. : 00 à Max. : 32

Accusé de réception [k][][Set ID][][OK/NG]
[Data][x]

11. Sélection d'afficheur (commande : k l)

- Pour activer ou désactiver l'afficheur (affichage à l'écran) à l'aide de la télécommande.

Transmission [k][l][][Set ID][][Data][Cr]

Données 00 : Afficheur 01 : Afficheur activé
désactivé

Accusé de réception [l][][Set ID][][OK/NG]
[Data][x]

12. Mode de verrouillage de la télécommande (commande : k m)

- Pour verrouiller la télécommande et les commandes du panneau avant du téléviseur.

Transmission [k][m][][Set ID][][Data][Cr]

Données 00 : Verrouillage 01 : Verrouillage activé
désactivé

Accusé de réception [m][][Set ID][][OK/NG]
[Data][x]

* Si vous n'utilisez pas la télécommande, utilisez ce mode.

Lorsque l'alimentation principale est déconnectée et reconnectée (débranchement et branchement, au bout de 20 à 30 secondes), le verrouillage de la commande externe est annulé.

* En mode attente (DC désactivé par mise en arrêt ou commande « ka », « mc »), et si les touches sont verrouillées, le téléviseur ne s'allumera pas en appuyant sur le bouton de mise en marche de la télécommande ou du téléviseur.

13 Aigus (commande : k r)

- Permet de régler les aigus. Vous pouvez aussi régler les aigus dans le menu AUDIO.

Transmission [k][r][][Set ID][][Data][Cr]

Données Min : 00 à Max : 64

Ack [r][][Set ID][][OK/NG][Data][x]

* (selon le modèle)

14. Graves (commande : k s)

- Permet de régler les graves. Vous pouvez aussi régler les graves dans le menu AUDIO.

Transmission [k][s][][Set ID][][Data][Cr]

Données Min : 00 à Max : 64

Ack [s][][Set ID][][OK/NG][Data][x]

* (selon le modèle)

15. Équilibre (commande : k t)

- Pour régler l'équilibre. Vous pouvez également régler l'équilibre dans le menu AUDIO.

Transmission [k][t][][Set ID][][Data][Cr]

Données Min. : 00 à Max. : 64

Accusé de réception [t][][Set ID][][OK/NG]
[Data][x]

16. Température de couleur (commande : x u)

- Pour régler la température de la couleur. Vous pouvez également régler la température de la couleur dans le menu IMAGE.

Transmission [x][u][][Set ID][][Data][Cr]

Données Min. : 00 à Max. : 64

Accusé de réception [u][][Set ID][][OK/NG]
[Data][x]

17. Méthode ISM (commande : j p) (téléviseur plasma uniquement)

- Pour régler la méthode ISM. Vous pouvez aussi régler la méthode ISM dans le menu OPTION.

Transmission [j][p][][Set ID][][Data][Cr]

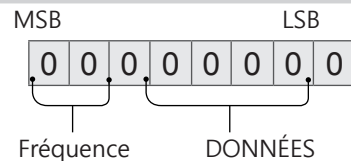
Données : 02: Orbiter
08: Normal
20: Tracé couleur

Accusé de réception [p][][Set ID][][OK/NG]
[Data][x]

18. Équaliseur (Commande : j v)

- Ajuste l'équaliseur de l'écran.

Transmission [j][v][][Set ID][][Data][Cr]



7	6	5	Fréquence	4	3	2	1	0	Étape
0	0	0	1ère bande	0	0	0	0	0	0 (décimal)

0	0	1	2e bande	0	0	0	0	1	1 (décimal)
0	1	0	3e bande
0	1	1	4e bande	0	0	0	1	1	19 (décimal)
1	0	0	5e bande	0	0	1	0	1	20 (décimal)

Acknowledgement [v][][Set ID][][OK/NG][Data][x]

* Dépend du modèle et peut être modifié si le mode du son est réglé sur une valeur d'égaliseur ajustable.

19. Économie d'énergie (commande : j q)

► Pour réduire la consommation énergétique de votre téléviseur. Vous pouvez aussi régler l'option Économie d'énergie dans le menu IMAGE.

Transmission [j][q][][Set ID][][Data][Cr]

Données

- 00 : Arrêt
- 01 : Minimum
- 02 : Moyen
- 03 : Maximum
- 04 : Auto
- 05 : Écran désactivé

* (selon le modèle)

Accusé de réception [q][][Set ID][][OK/NG][Data][x]

20. Commandes de syntonisation (commande : m a)

- * Cette commande peut fonctionner de façon différente en fonction du modèle et du signal.
- Modèles vendus en Europe, au Moyen-Orient, en Colombie et en Asie, à l'exception de la Corée du Sud et du Japon
- Sélectionner les chaînes en fonction des numéros physiques suivants.

Transmission [m][a][][Set ID][][Data 00][][Data 01][][Data 02][Cr]

* Analogique Antenne/câble

[Data 00][Data 01] Données de canal
Données 00 : Données de canal octet haut
Données 01 : Données de canal octet bas
- 00 00 à 00 C7 (décimale : 0 à 199)

Données 02 : Source d'entrée (analogique)
- 00 : télé Antenne (ATV)
- 80 : télé par câble (CATV)

* Antenne numérique/câble/satellite

[Data 00][Data 01] Données de canal
Données 00 : Données de canal haut
Données 01 : Données de canal bas
- 00 00 à 27 0F (décimale : 0 à 9 999)

Données 02 : Source d'entrée (numérique)
- 10 : télé Antenne (DTV)
- 20 : radio Antenne (Radio)
- 40 : télé par satellite (SDTV)
- 50 : radio par satellite (S-Radio)
- 90 : télé par câble (CADTV)
- a0 : radio par câble (CA-Radio)

* Exemples de commandes de syntonisation :

1. Syntoniser la chaîne analogique Antenne (PAL) 10.
Identité télé = Tout = 00
Données 00 & 01 = Données de canal 10 = 00 10
Données 02 = Télé analogique Antenne = 00
Résultat = **ma 00 00 0a 00**

2. Syntoniser la chaîne numérique Antenne (DVB-T) 01.
Identité télé = Tout = 00
Données 00 & 01 = Données de canal 1 = 00 01
Données 02 = Télé numérique Antenne = 10
Résultat = **ma 00 00 01 10**

3. Syntoniser la chaîne satellite (DVB-S) 1000.
Identité télé = Tout = 00
Données 00 & 01 = Données de canal 1000 = 03 E8
Données 02 = Télé numérique par satellite = 40
Résultat = **ma 00 03 E8 40**

Accusé de réception [a][][Set ID][][OK][Data 00][Data 01][Data 02][x] [a][][Set ID][][NG][Data 00][x]

- Modèles vendus en Corée du Sud, en Amérique du Nord, en Amérique latine, à l'exception de la Colombie
- Pour syntoniser les chaînes en fonction des numéros physiques, majeurs ou mineurs suivants.

Transmission [m][a][][0][][Data 00][][Data 01][][Data 02][][Data 03][][Data 04][][Data 05][Cr]

Les chaînes numériques possèdent un numéro de canal physique, majeur et mineur. Le numéro physique est le numéro de canal numérique réel, le numéro majeur est le numéro auquel le canal doit être assigné et le mineur correspond au sous-canal. Comme le syntoniseur ATSC assigne automatiquement les chaînes au numéro majeur/mineur, le numéro physique n'est pas requis pour l'envoi d'une commande en mode numérique.

* Analogique Antenne/câble

Données 00 : Numéro de canal physique
- Antenne (ATV) : 02 à 45 (décimale : 2 à 69)
- Câble (CATV) : 01, 0E à 7D (décimale : 1, 14 à 125)

[Data 01 à 04] : Numéro de canal majeur/mineur
Données 01 & 02 : xx (non utilisé)
Données 03 & 04 : xx (non utilisé)

Données 05 : Source d'entrée (analogique)
- 00 : télé Antenne (ATV)
- 01 : télé par câble (CATV)

* Antenne numérique/câble

Données 00 : xx (non utilisé)

[Data 01][Data 02] : Numéro de canal majeur
Données 01 : Données de canal octet haut
Données 02 : Données de canal octet bas
- 00 01 à 27 0F (décimale : 1 à 9 999)
[Data 03][Data 04] : Numéro de canal mineur
Données 03 : Données de canal octet haut
Données 04 : Données de canal octet bas
Données 05 : Source d'entrée (numérique)

- 02 : Télévision Antenne (DTV) – Utiliser le numéro de canal physique
- 06 : Télévision par câble (CADTV) – Utiliser le numéro de canal physique
- 22 : Télévision Antenne (DTV) – Ne pas utiliser le numéro de canal physique
- 26 : Télévision par câble (CADTV) – Ne pas utiliser le numéro de canal physique
- 46 : Câble (CADTV) – Numéro de canal majeur uniquement (canal en une partie)

Deux octets sont disponibles pour chaque numéro de canal majeur et mineur mais seul l'octet bas (le second) est généralement utilisé (octet haut = 0).

* Exemples de commandes de syntonisation :

1. Syntoniser la chaîne analogique par câble (NTSC) 35.

Identité télé = Tout = 00
 Données 00 = Données de canal 35 = 23
 Données 01 et 02 = Pas de majeur = 00 00
 Données 03 et 04 = Pas de mineur = 00 00
 Données 05 = Télé analogique Antenne par câble = 01
 Total = **ma 00 23 00 00 00 01**

2. Syntoniser la chaîne numérique Antenne (ATSC) 30-3.

Identité télé = Tout = 00
 Données 00 = Physique inconnu = 00
 Données 01 et 02 = Le majeur est 30 = 00 1E
 Données 03 et 04 = Le mineur est 3 = 00 03
 Données 05 = Télé numérique Antenne = 22
 Total = **ma 00 00 00 1E 00 22**

Accusé de réception [a][][Set ID][][OK]
 [Data 00] [Data 01][Data 02][Data 03][Data
 04][Data 05][x][a][][Set ID][][NG][Data 00][x]

• Modèles vendus au Japon

- Pour syntoniser les chaînes en fonction des numéros physiques, majeurs ou mineurs suivants.

Transmission [m][a][][0][][Data00][][Data01]
 [][Data02][][Data03][][Data04][][Data05][Cr]

* Antenne numérique/câble/satellite

Données 00 : xx (non utilisé)

[Data 01][Data 02] : Numéro de canal majeur
 Données 01 : Données de canal octet haut
 Données 02 : Données de canal octet bas
 - 00 01 à 27 0F (décimale : 1 à 9 999)

[Data 03][Data 04] : Numéro de canal mineur
 (non utilisé sur satellite)

Data 03: Données de canal octet haut
 Data 04: Données de canal octet bas

Data 05 : Source d'entrée (numérique/satellite pour Japon)

- 02 : télé Antenne (DTV)
- 07 : BS (satellite de radiodiffusion)
- 08 : CS1 (satellite de communication 1)
- 09 : CS2 (satellite de communication 2)

* Exemples de commandes de syntonisation :

- 1 Syntoniser la chaîne numérique Antenne (ISDB-T) 17-1.

Identité télé = Tout = 00
 Données 00 = Physique inconnu = 00

Données 01 & 02 = Le majeur est 17 = 00 11
 Données 03 & 04 = Le mineur est 1 = 00 01
 Données 05 = Télé numérique Antenne = 02
 Total = **ma 00 00 00 11 00 02**

2. Syntoniser la chaîne 30 du satellite de radiodiffusion (ISDB-BS).

Identité télé = Tout = 00
 Données 00 = Physique inconnu = 00
 Données 01 et 02 = Le majeur est 30 = 00 1E
 Données 03 & 04 = Non utilisé = 00 00
 Données 05 = Télé par satellite BS = 07
 Total = **ma 00 00 00 1E 00 07**

* Cette fonction peut varier d'un modèle à l'autre.

Accusé de réception [a][][Set ID][][OK][Data 00]
 [Data 01][Data 02][Data 03][Data 04][Data 05]
 [x][a][][Set ID][][NG][Data 00][x]

21. Ajout/Saut de programme (commande : m b)

► Pour sauter la chaîne (programme) actuelle la prochaine fois.

Transmission [m][b][][Set ID][][Data][Cr]

Données 00 : Suppr.(ATSC,ISDB)/ 01 : Ajouter Sauter(DVB)

Accusé de réception [b][][Set ID][][OK/NG]
 [Data][x]

* Définir l'état du canal enregistré comme Suppr. (ATSC, ISDB)/sauter (DVB) ou ajouter.

22. Touche (commande : m c)

► Pour envoyer le code clé de télécommande IR.

Transmission [m][c][][Set ID][][Data][Cr]

Données Code clé - p. 2.

Accusé de réception [c][][Set ID][][OK/NG]
 [Data][x]

23. Commande rétroéclairage (commande : m g)

• Pour les téléviseurs ACL ou à DEL
 ► Pour contrôler le rétroéclairage.

Transmission [m][g][][Identité télé][][Data][Cr]

Données Min. : 00 à Max. : 64

Accusé de réception [g][][Set ID][][OK/NG]
 [Data][x]

Commande de la luminosité du panneau
 (commande: m g)

• Téléviseur plasma uniquement
 ► Permet de contrôler la luminosité du panneau.

Transmission [m][g][][Identité télé][][Data][Cr]

Données Min. : 00 à Max. : 64

Accusé de réception [g][][Set ID][][OK/NG]
 [Data][x]

24. Sélection de source (commande : x b)
(Source image principale)

► Pour sélectionner la source d'entrée pour l'image principale.

Transmission [x][b][][Set ID][][Data][Cr]

Données

- 00 : DTV
- 02 : DTV Satellite ISDB-BS (Japon)
- 03 : ISDB-CS1 (Japon)
- 04 : ISDB-CS2 (Japon)
- 11 : CATV
- 20 : AV ou AV1
- 40 : Composante1
- 60 : RGB
- 90 : HDMI1
- 92 : HDMI3
- 01 : CADTV
- 10 : ATV
- 21 : AV2
- 41 : Composante2
- 91 : HDMI2
- 93 : HDMI4

Accusé de réception [b][][Set ID][][OK/NG][Data][x]

* Cette fonction peut varier en fonction du modèle et du signal.

25. 3D (commande : x t) (modèles 3D uniquement) (selon le modèle)

► Pour passer au mode 3D du téléviseur.

Transmission [x][t][][Set ID][][Data 00][][Data 01][][Data 02][][Data 03][Cr]

Données Structure

- [Données 00] 00 : 3D activée
- 01 : 3D désactivée
- 02 : 3D à 2D
- 03 : 2D à 3D
- [Données 01] 00 : Haut et bas
- 01 : Côte à côte
- 02 : Échiquier
- 03 : Séquentiel image par image
- 04 : Entrelacement de colonnes
- 05 : Entrelacement de lignes
- [Données 02] 00 : Droite à gauche
- 01 : Gauche à droite
- [Données 03] Rendu 3D (profondeur 3D) :
- Min. : 00 - Max. : 14
- (* transmission par code hexadécimal)

* Si [Données 00] = 00 (3D activée), [Données 03] est ignorée.

* Si [Données 00] = 01 (3D désactivée) ou 02 (3D à 2D), [Données 01], [Données 02] et [Données 03] sont ignorées.

* Si [Données 00] = 03 (2D à 3D), [Données 01] et [Données 02] sont ignorées.

* Si l'option [Data 00] est réglée sur 00 (3D activée) ou 03 (2D à 3D), alors [Data 03] fonctionne lorsque l'option 3D Mode (Genre) (Mode 3D [Genre]) est réglé sur manuel seulement.

* Toutes les options de 3D ([Data 01]) peuvent ne pas être disponibles selon le signal vidéo ou de diffusion.

[Données 00]	[Données 01]	[Données 02]	[Données 03]
00	O	O	O
01	X	X	X
02	X	X	X
03	X	X	O

X : Non utilisé

Accusé de réception [t][][Set ID][][OK][Data00][Data01][Data02][Data03][x][t][][Set ID][][NG][Data00][x]

26. E3D étendu (commande : x v) (modèles 3D uniquement) (selon le modèle)

► Pour modifier l'option 3D du téléviseur.

Transmission [x][v][][Set ID][][Data 00][][Data 01][Cr]

[Data 00] option 3D

- 00 : Correction de l'image 3D
- 01 : Profondeur 3D (le mode 3D n'est disponible qu'en mode manuel)
- 02 : Point de visualisation 3D
- 06 : Correction des couleurs 3D
- 07 : Zoom son 3D
- 08 : Vue d'image normale
- 09 : Mode 3D (genre)

[Data 01] L'intervalle de cette valeur est définie pour chaque option 3D déterminée par [Data 00].

1) Si [Data 00] = 00

- 00 : Droite à gauche
- 01 : Gauche à droite

2) Si [Data 00] = 01, 02

Data Min: 0 - Max: 14 (*transmit by Hexadecimal code)

La plage de valeurs de données (0 - 20) modifie automatiquement la plage de visualisation (-10 - +10) (selon le modèle)

* Cette option fonctionne lorsque l'option 3D Mode (Genre) est réglée sur manuel seulement.

3) Si [Data 00] = 06, 07

- 00 : Arrêt
- 01 : Marche

4) Si l'option [Data 00] est réglée sur 08

- 00 : Revenir à vidéo 3D à partir d'une vidéo 2D convertie de 3D à 2D
- 01 : Changer vidéo 3D pour vidéo 2D, sauf dans le cas d'une vidéo 2D à 3D

* Si la condition de conversion n'est pas respectée, la commande sera traitée comme NG.

5) Si [Data 00] = 09

- 00 : Standard
- 02 : Cinéma
- 04 : Manuel
- 01 : Sport
- 03 : Extrême
- 05 : Automatique

Accusé de réception [v][][Set ID][][OK][Data00][Data01][x][v][][Set ID][][NG][Data00][x]

27. Config. auto. (commande : j u)

- Pour ajuster la position de l'image et minimiser le tremblement de l'image automatiquement. Cette option ne fonctionne qu'en mode RGB (PC).

Transmission [j][u][][Set ID][][Data][Cr]

Données 01 : Config. auto.

Accusé de réception [u][][Set ID][][OK/NG]
[Data][x]