



**FRIEDRICH**

1883

# Installation Manual

## DUCTLESS SPLIT SYSTEMS



ENGLISH

FRANÇAIS

ESPAÑOL

**TYPE : Multi zone**

THE EXPERTS IN ROOM AIR CONDITIONING

960-911-05

# MULTI ZONE INSTALLATION INSTRUCTIONS

## IMPORTANT!

**Please read this instruction sheet completely before installing the product.**

This air conditioning system meets strict safety and operating standards. As the installer or service person, it is an important part of your job to install or service the system so it operates safely and efficiently.



### WARNING

- Installation or repairs made by unqualified persons can result in hazards to you and others. Installation MUST comply with local building codes or, in the absence of local codes, with the National Electrical Code NFPA 70/ANSI C1-1993 or current edition and Canadian Electrical Code Part I CSA C.22.1.
- The information contained in this manual is intended for use by a qualified service technician familiar with safety procedures and equipped with the proper tools and test instruments.
- Failure to carefully read and follow all instructions in this manual can result in equipment malfunction, property damage, personal injury and/or death.

**CAUTION:** Improper installation, adjustment, alteration, service or maintenance can void the warranty. The weight of the condensing unit requires caution and proper handling procedures when lifting or moving to avoid personal injury. Use care to avoid contact with sharp or pointed edges.

### Safety Precautions

- Always wear safety glasses and work gloves when installing equipment.
- Do not assume electrical power is disconnected. Check with meter and equipment.
- Keep hands out of fan areas when power is connected to equipment.
- R410A causes frostbite burns.
- R410A is toxic when burned.

**NOTE TO INSTALLING DEALER :** The Owners Instructions and Warranty are to be given to the owner or prominently displayed near the indoor Air Handler Unit.



### Special warnings

#### When wiring:

**Electrical shock can cause severe personal injury or death. Only a qualified, experienced electrician should attempt to wire this system.**

- Do not supply power to the unit until all wiring and tubing are completed or reconnected and checked.
- Highly dangerous electrical voltages are used in this system. Carefully refer to the wiring diagram and these instructions when wiring. Improper connections and inadequate grounding can cause accidental injury or death.
- Ground the unit following local electrical codes.
- Connect all wiring tightly. Loose wiring may cause overheating at connection points and a possible fire hazard.

#### When transporting:

Be careful when picking up and moving the indoor and outdoor units. Get a partner to help, and bend your knees when lifting to reduce strain on your back. Sharp edges or thin aluminum fins on the air conditioner can cut your fingers.

#### When installing...

**... in a wall:** Make sure the wall is strong enough to hold the unit's weight.

It may be necessary to construct a strong wood or metal frame to provide added support.

**... in a room:** Properly insulate any tubing run inside a room to prevent "sweating" that can cause dripping and water damage to wall and floors.

**... in moist or uneven locations:** Use a raised concrete pad or concrete blocks provide a solid, level foundation for the outdoor unit. This prevents water damage and abnormal vibration.

**... in an area with high winds:** Securely anchor the outdoor unit down with bolts and a metal frame. Provide a suitable air baffle.

**... in a snowy area(for Heat Pump Model):** Install the outdoor unit on a raised platform that is higher than drifting snow. Provide snow vents.

#### When connecting refrigerant tubing

- Keep all tubing runs as short as possible.
- Use the flare method for connecting tubing.
- Check carefully for leaks before starting the test run.

#### When servicing

- Turn the power OFF at the main power box(mains) before opening the unit to check or repair electrical parts and wiring.
- Keep your fingers and clothing away from any moving parts.
- Clean up the site after you finish, remembering to check that no metal scraps or bits of wiring have been left inside the unit being serviced.

# TABLE OF CONTENTS

## Installation Requirements


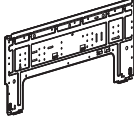








<b>Installation Parts Provided</b> .....	4
<b>Product Introduction</b> .....	5
Indoor Unit .....	5
Outdoor Unit.....	5
<b>Safety Precautions</b> .....	6
<b>Installation of Indoor, Outdoor Unit</b> .....	9
Select the best location .....	9
Seaside Applications and Installation.....	11
Piping length and elevation.....	12
<b>Installation</b> .....	13
Connecting the piping .....	13
How to mount.....	16
Wiring Connection.....	17
Conduit connection .....	17
Ceiling dimension and hanging bolt location .....	18
How to mount.....	19
Wiring Connection.....	19
Conduit connection .....	19
Remote controller installation.....	21
Wired remote controller installation.....	23
Installer Setting - Test Run Mode.....	24
Installer Setting - Thermistor.....	25
Installer Setting - Group Setting.....	26
Installer Setting - Celsius / Fahrenheit Switching .....	27
Installer Setting - E.S.P. ....	28
Ceiling dimension and hanging bolt location .....	29
Conduit connection .....	30
How to Fix.....	30
Wiring Connection.....	30
Installation of Wired Remote Controller(Optional) .....	31
Installation of Decorative Panel .....	33
Drain Piping .....	35
<b>Flaring Work and Connection of Piping</b> .....	38
Flaring work .....	38
Connection of piping - Outdoor.....	39
<b>Connecting the Cable between Indoor Unit and Outdoor Unit</b> .....	40
Connect the cable to the Indoor unit.....	40
Connect the cable to the Outdoor unit.....	41
Connection method of the connecting cable(Example) .....	42
<b>Checking the Drainage, Insulating the Pipe and Special Piping Applications</b> .....	43
Checking the drainage .....	43
Insulating the Pipe and Special Piping Applications.....	43
<b>Extended line length setting</b> .....	44
<b>Air Purging and Evacuation</b> .....	45
Leak Checking .....	45
Evacuation .....	46
<b>Charging</b> .....	47

## Required Tools








- Level gauge
- Screw driver
- Electric drill
- Hole core drill [ø50mm(2 inch)]
  
- Flaring tool set
- Specified torque wrenches  
1.8kg.m, 4.2kg.m, 5.5kg.m, 6.6kg.m  
(different depending on model No.)
- Adjustable wrench
  
- A glass of water
- Screw driver
  
- Hexagonal wrench(4mm)
- Refrigerant Gas Leak Detector
- Vacuum pump
- Gauge manifold
  
- Owner's manual
- Thermometer
- Remote Control Holder

# Installation Parts Provided

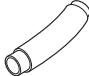








## [Wall-mounted Type]

Type 1		Type 2	
Installation plate		Installation plate	
			
Type "B" screw	Type "C" screw	Type "B" screw	Type "C" screw
			
Type "A" screw		Type "A" screw	
			
Remote control holder		Remote control holder	
			

## [Ceiling Concealed Duct Type]

Name	Clamp metal	Insulation for fitting	Screws for duct flanges	Clamp	Conduit Bracket
Quantity	1 EA	1 set	1 set	8 EA	1 EA
Shape		 for gas pipe  for liquid pipe			 Conduit Bracket  Screw(M4) 2EA

## [Ceiling Cassette Type]

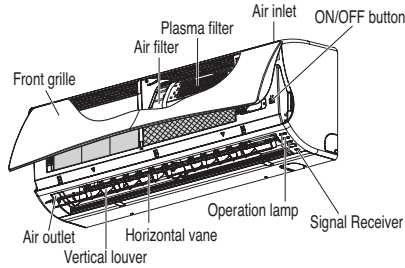
Name	Drain hose	Clamp metal	Washer for hanging basket	Clamp	Conduit Bracket	Insulation for fitting	Remote control holder
Quantity	1 EA	1 EA	8 EA	8 EA	1 EA	1 SET	1 EA
Shape					 Conduit Bracket  Screw(M4) 2EA	 for gas pipe  for liquid pipe	

# Product Introduction

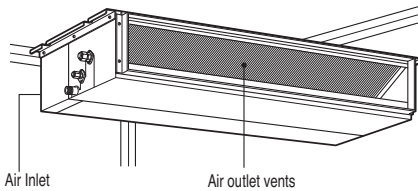
Here is a brief introduction of the indoor and outdoor units. Please see the information specific to your indoor unit type.

## Indoor Unit

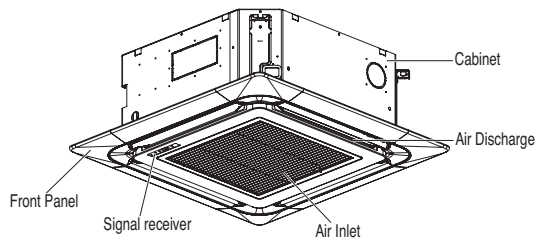
### [Wall-mounted Type]



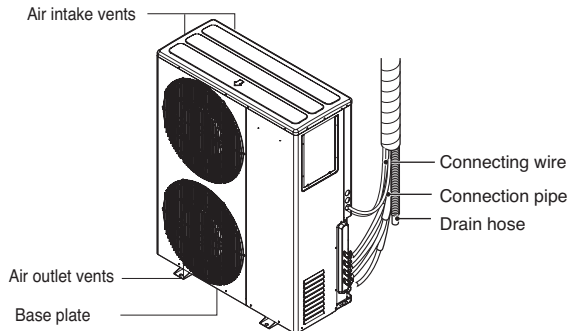
### [Ceiling Concealed Duct Type]



### [Ceiling Cassette Type]



## Outdoor Unit



\* The figure can be changed according to model.

# Safety Precautions



To prevent the injury of the user or other people and property damage, the following instructions must be followed.

- Be sure to read before installing the air conditioner.
- Be sure to observe the cautions specified here as they include important items related to safety.
- Incorrect operation due to ignoring instruction will cause harm or damage. The seriousness is classified by the following indications.

**⚠ WARNING** This symbol indicates the possibility of death or serious injury.

**⚠ CAUTION** This symbol indicates the possibility of injury or damage to properties only.

- The meanings of the symbols used in this manual are as shown below.

	<b>Be sure not to do.</b>
	<b>Be sure to follow the instruction.</b>

## ⚠ WARNING

### ■ Installation

#### Always perform grounding.

- Otherwise, it may cause electrical shock.

#### Ensure that the power cord used is not frayed or damaged in anyway.

- Otherwise, it may cause a fire or electrical shock.

#### Please contact a licensed service center or installer to install this equipment.

- Otherwise, it may cause a fire, electrical shock, explosion or injury.

#### Securely attach the electrical part cover to the indoor unit and the service panel to the outdoor unit.

- If the electrical part cover of the indoor unit and the service panel of the outdoor unit are not attached securely, it could result in a fire or electric shock due to dust, water, etc.

#### Ensure a dedicated circuit breaker is installed as well as an independent electrical disconnect.

- No installation may cause a fire and electrical shock.

#### Do not keep or use flammable gases or combustibles near the air conditioner.

- Otherwise, it may cause a fire or the failure of product.

#### Ensure that the outdoor system is free of damage prior to installation.

- It may cause injury or an accident.

#### Do not service this equipment unless you are a licensed contractor.

- It will cause a fire or electrical shock.

#### Use a vacuum pump or Inert (nitrogen) gas when doing leakage test or air purge. Do not use oxygen, compressed air or other gases which may be flammable or harmful. Doing so causes risk for fire, explosion, injury or death.

- There is the risk of death, injury, fire or explosion.

**Ensure that system is properly secured once installation is complete.**

- Otherwise, it may result in personal injury.

**Use caution when unpacking and installing.**

- Sharp edges may cause injury.

## ■ Operation

**Ensure system is installed on a dedicated circuit.**

- It will cause an electric shock or a fire due to heat generation.

**Do not use the damaged power cord.**

- Otherwise, it may cause a fire or electrical shock.

**Do not alter the power cord without seeking assistance from a licensed professional.**

- Otherwise, it may cause a fire or electrical shock.

**Ensure power cord is securely in place and care is taken to prevent cord from being pulled loose.**

- Otherwise, it may cause a fire or electrical shock.

**Unplug the unit if strange sounds, smell, or smoke comes from it.**

- Otherwise, it may cause electrical shock or a fire.

**Keep unit clear of any heat source.**

- Otherwise, it may cause a fire.

**Do not use the power cord near the heating tools.**

- Otherwise, it may cause a fire and electrical shock.

**Do not open the suction inlet of the indoor/outdoor unit during operation.**

- Otherwise, it may electrical shock and failure.

**If equipment is submerged. Please shut off power and call a service center.**

- Otherwise, it may cause the failure of machine or electrical shock.

**Hold the plug by the head when taking it out.**

- It may cause electric shock and damage.

**Never touch the metal parts of the unit when removing the filter.**

- They are sharp and may cause injury.

**Do not use the equipment as a step or a shelf.**

- It may cause an injury through dropping of the unit or falling down.

**Do not place a heavy object on the power cord.**

- Otherwise, it may cause a fire or electrical shock.

**When the product is submerged into water, always contact the service center.**

- Otherwise, it may cause a fire or electrical shock.

**Take care so that children may not step on the outdoor unit.**

- Otherwise, children may be seriously injured due to falling down.

---

---

 **CAUTION**

---

---

■ **Installation**

**Ensure drain is securely fastened.**

- Otherwise, it may cause water leakage.

**Install in area where consideration of surroundings have been made, noise and heat may not affect those nearby.**

- Otherwise, it may cause dispute with the neighbors.

**Always check for leaks at all connections, if leak is found perform proper repairs.**

- Otherwise, it may cause the failure of product.

**Ensure equipment is level during installation.**

- Otherwise, it may cause vibration or water leakage.

■ **Operation**

**Avoid excessive cooling and perform ventilation sometimes.**

- Otherwise, it may do harm to your health.

**Use a soft cloth to clean. Do not use wax, thinner, or a strong detergent.**

- The appearance of the air conditioner may deteriorate, change color, or develop surface flaws.

**Do not use an appliance for special purposes such as preserving animals vegetables, precision machine, or art articles.**

- Otherwise, it may damage your properties.

**Do not block or restrict the airflow inlet or outlet.**

- Otherwise, it may cause the failure of appliance or an accident.



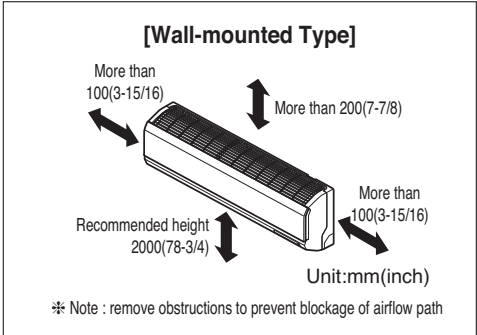
# Installation of Indoor, Outdoor Unit

Read completely, then follow step by step.

## Select the best location

### Indoor unit

1. Do not have any heat or steam near the unit.
2. Select a place where there are no obstacles in front of the unit.
3. Make sure that condensation drainage can be conveniently routed away.
4. Do not install near a doorway.
5. Ensure the unit is unobstructed, allow proper space on all sides according to the arrows and distance measurements in the figures.
6. Use a Metal Detector or Metal Scanner to locate studs to prevent unnecessary damage to the wall.



**[Ceiling Concealed Duct Type]**

**Top view**

Inspection hole  
[600(23-5/8) x 600(23-5/8)]  
Control box

600  
(23-5/8)

600  
(23-5/8)

**Front view**

H=20(25/32) or more

Ceiling

Service Space

A

B

\* Suitable dimension "H" is necessary to get a slope to drain as show in the figure.

Capacity(Btu/h class)	A	B
9/12k	600(23-5/8)	900(35-7/16)
18k	600(23-5/8)	1100(43-5/16)

**[Ceiling Cassette Type]**

19(3/4) or more

Ceiling Board

500(19-1/16) or more

1000(39-3/8) or more

At least 1800(70-7/8) 3600(141-7/16) or less

500(19-1/16) or more

300(11-1/16) or less

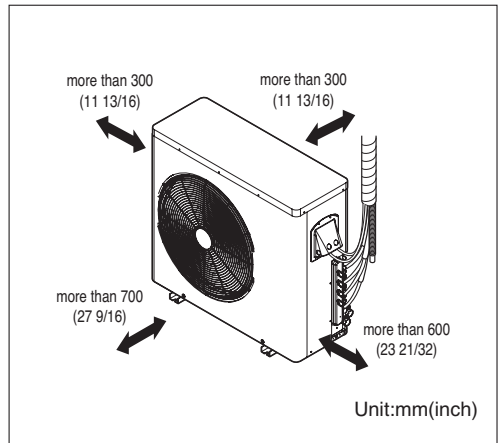
Unit:mm(inch)

Floor

ENGLISH

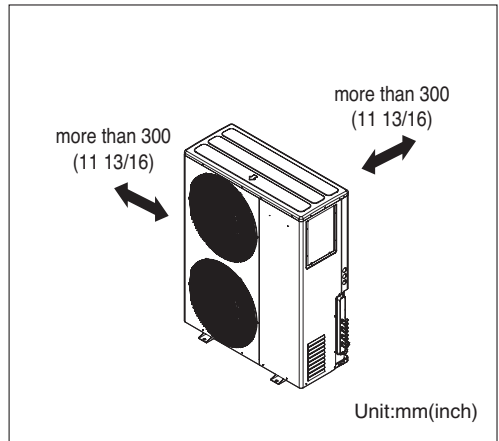
### Outdoor unit

1. If an awning is built over the unit to prevent direct sunlight or rain exposure, make sure that heat radiation from the condenser is not restricted.
2. Ensure the unit is unobstructed, allow proper space on all sides according to the arrows and distance measurements in the figures.
3. Do not place animals and plants in the path of the warm air.
4. Take the air conditioner weight into account and select a place where noise and vibration are minimum.
5. Select a place so that the warm air and sound from the air conditioner does not disturb neighbors.



### Rooftop Installations:

If the outdoor unit is installed on a roof structure, be sure to level the unit. Ensure the roof structure and anchoring method are adequate for the unit location. Consult local codes regarding rooftop mounting.



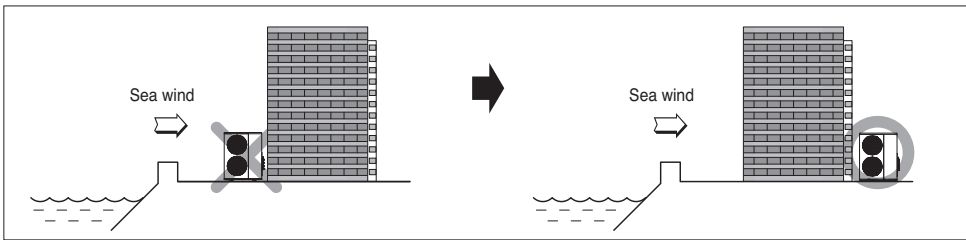
## Seaside Applications and Installation

### ⚠ CAUTION

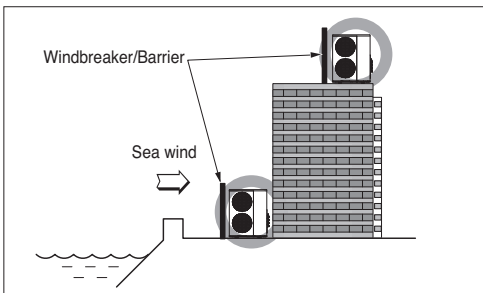
1. Air conditioners should not be installed in areas where corrosive gases, such as acid or alkaline gas, are produced.
2. Do not install the product where it could be exposed to sea wind (salty wind) directly. It can result corrosion on the product. Corrosion, particularly on the condenser and evaporator fins, could cause product malfunction or inefficient performance.
3. If outdoor unit is installed close to the seaside, it should avoid direct exposure to the sea wind.

### 1. Selecting the location(Outdoor Unit)

- 1) If the outdoor unit is to be installed close to the seaside, direct exposure to the sea wind should be avoided. Install the outdoor unit on the opposite side of the sea wind direction.



- 2) In case, to install the outdoor unit on the seaside, set up a windbreaker/barrier, to lessen the unit's exposure to sea air



- It should be strong enough (like concrete) to obstruct the wind from the sea.
- The height and width should be more than 150% of the outdoor unit.
- A minimum of 70cm (27 1/16 inches) of space between outdoor unit and the windbreak for easy air flow.

- 3) Select a well-drained place.

Periodic ( more than once/year ) cleaning of the dust or salt particles stuck on the heat exchanger using water is recommended.

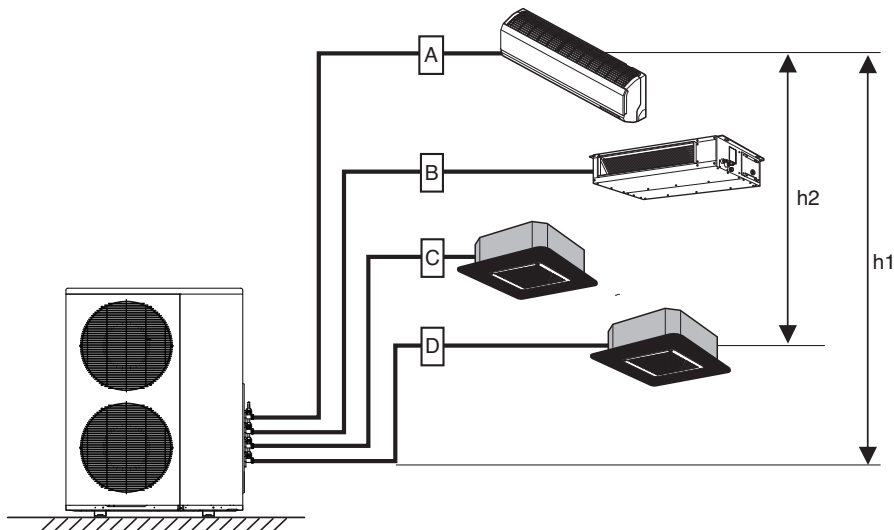
## Piping length and elevation

### Multi Piping Type

Unit : m(ft)

Outdoor Unit Capacity (Btu/h class)	Max total length of all pipes (A+B)/(A+B+C)/(A+B+C+D)	Max length of each pipe (A/B/C/D)	Min length of each pipe (A/B/C/D)	Max Elevation between each indoor unit and outdoor unit (h1)	Max elevation between indoor units (h2)	Max. Combination of Indoor unit (Btu/h class)
24k	75(246)	25(82)	3(10)	15(49)	7.5(25)	18k
36k	75(246)	25(82)	3(10)	15(49)	7.5(25)	18k

Indoor unit Capacity (Btu/h class)	Pipe Diameter Unit : mm(inch)		Standard Pipe Length Unit : m(ft)	Additional Refrigerant Unit : g/m(oz/ft)
	Gas	Liquid		
9k	9.52(3/8)	6.35(1/4)	7.5(25)	20(0.22)
12k	9.52(3/8)	6.35(1/4)	7.5(25)	20(0.22)
18k	12.7(1/2)	6.35(1/4)	7.5(25)	20(0.22)



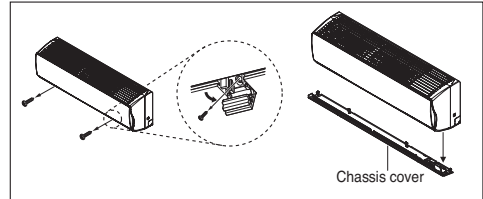
**⚠ CAUTION:** Capacity is based on standard length and maximum allowance length is on the basis of reliability.

# Installation

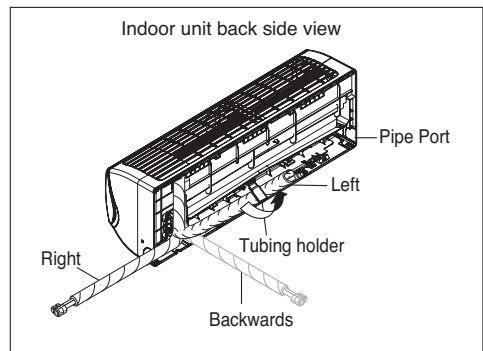
## [Wall-mounted Type]

### Connecting the piping

1. Pull the screw cap at the bottom of the indoor unit
2. Remove the chassis cover from the unit by loosening screws

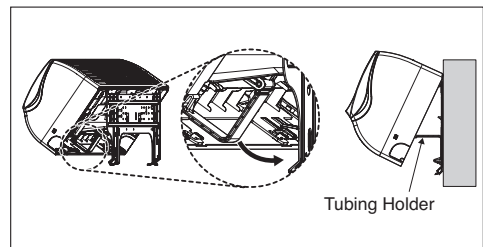
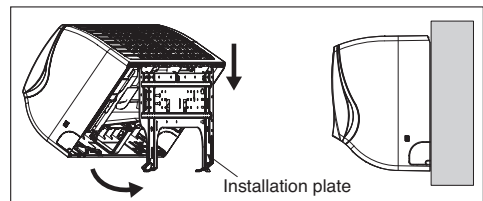


3. Pull back the tubing holder.
4. Remove pipe port cover and positioning the tubing



### 5. Indoor unit installation

- 1) Hook the indoor unit onto the upper portion of the installation plate. (engage the three hooks at the top of the indoor unit with the upper edge of the installation plate) Ensure that the hooks are properly seated on the installation plate by moving it left and right
- 2) Unlock the tubing holder from the chassis and mount between the chassis and installation plate in order to separate the bottom side of the indoor unit from the wall

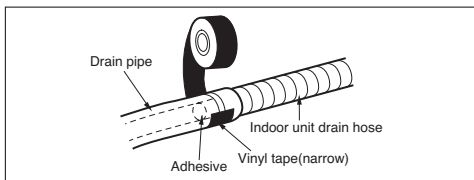
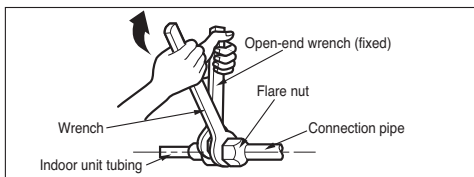
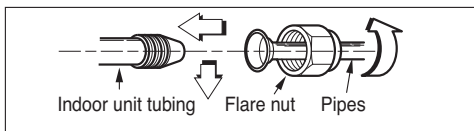


### Connecting the piping to the indoor unit and drain hose to drain pipe.

1. Align the center of the pipes and sufficiently tighten the flare nut by hand.
2. Tighten the flare nut with a wrench.

Outside diameter		Torque
mm	inch	kgf.m (lbf-ft)
Ø6.35	1/4	1.8~2.5 (13~18)
Ø9.52	3/8	3.4~4.2 (24~30)
Ø12.7	1/2	5.5~6.6 (40~48)

3. Next, extend the indoor unit's drain hose. Then attach the drain pipe.

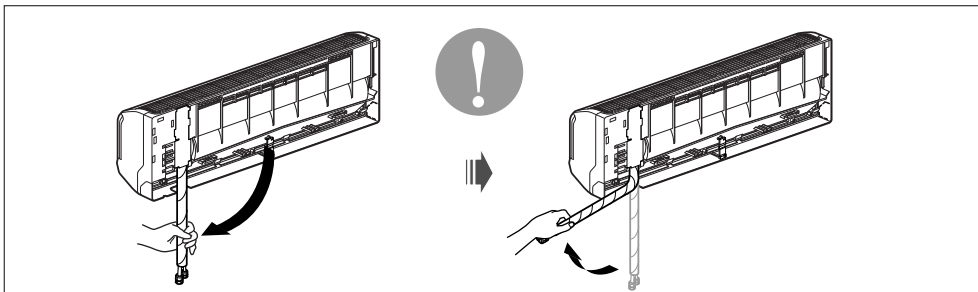


### ⚠ CAUTION

Installation Information. For left piping. Follow the instruction below.

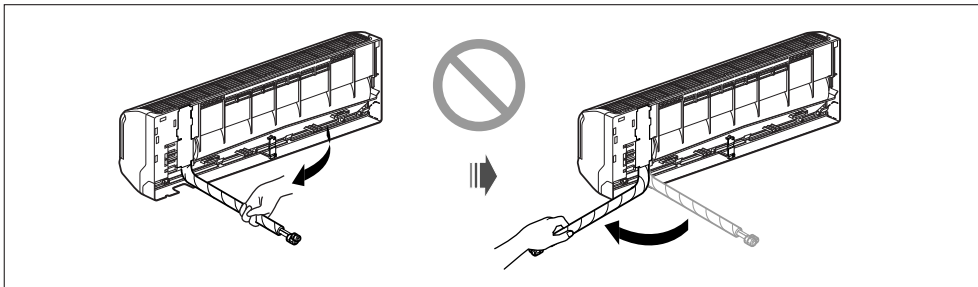
#### Good case

- Press on the upper side of clamp and unfold the tubing to slowly downward.



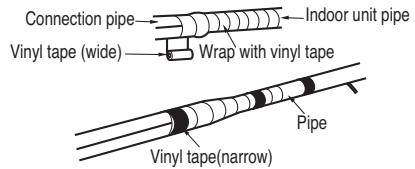
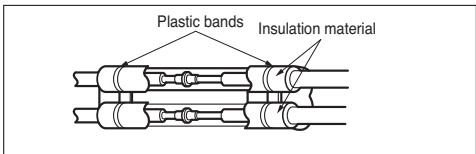
#### Bad case

- Bending the pipe from right to left may cause damage to the tubing.

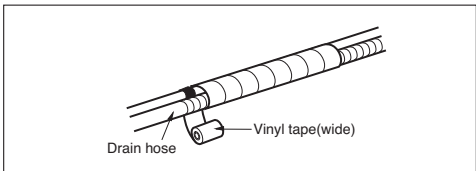


### Wrap the insulation material around the connecting portion.

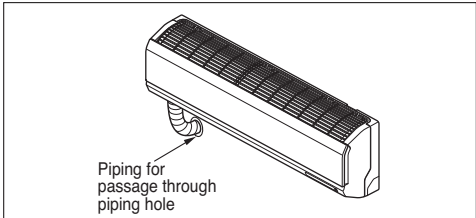
1. Overlap the connection pipe insulation and the indoor unit pipe heat insulation material. Bind them together with vinyl tape so that there is no gap.
2. Wrap the area which accommodates the rear piping housing section with vinyl tape.



3. Bundle the piping and drain hose together by wrapping them with vinyl tape over the range within which they fit into the rear piping housing section.

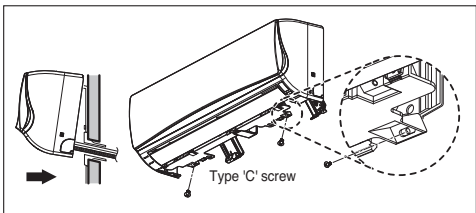
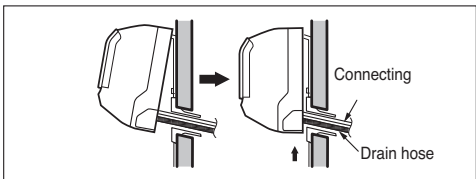


### Reroute the pipings and the drain hose across the back of the chassis.



### Finishing the indoor unit installation

1. Mount the tubing holder in the original position.
2. Ensure that the hooks are properly seated on the installation plate by moving it left and right.
3. Press the lower left and right sides of the unit against the installation plate until the hooks engage into their slots (clicking sound).
4. Finish the assembly by screwing the unit to the installation plate by using two pieces of type "C" screws. And assemble a chassis cover.



## ⚠ CAUTION

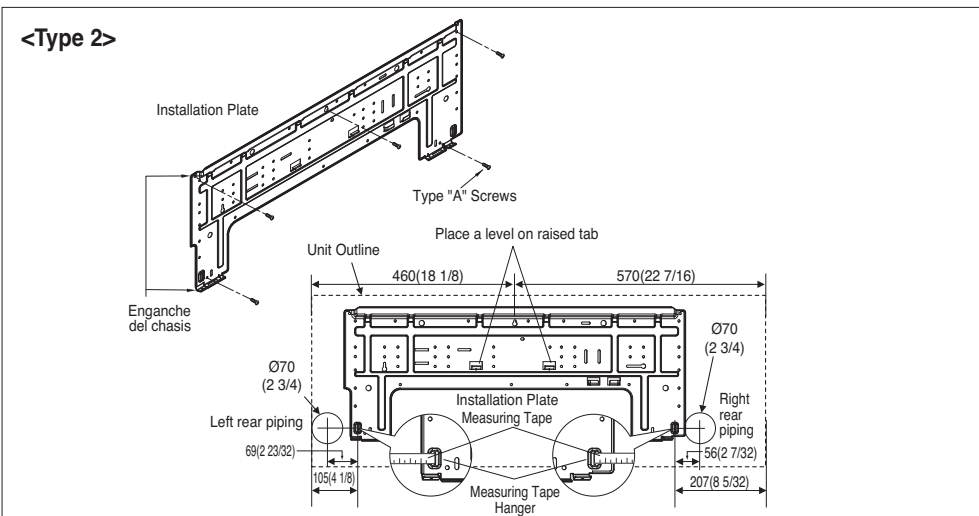
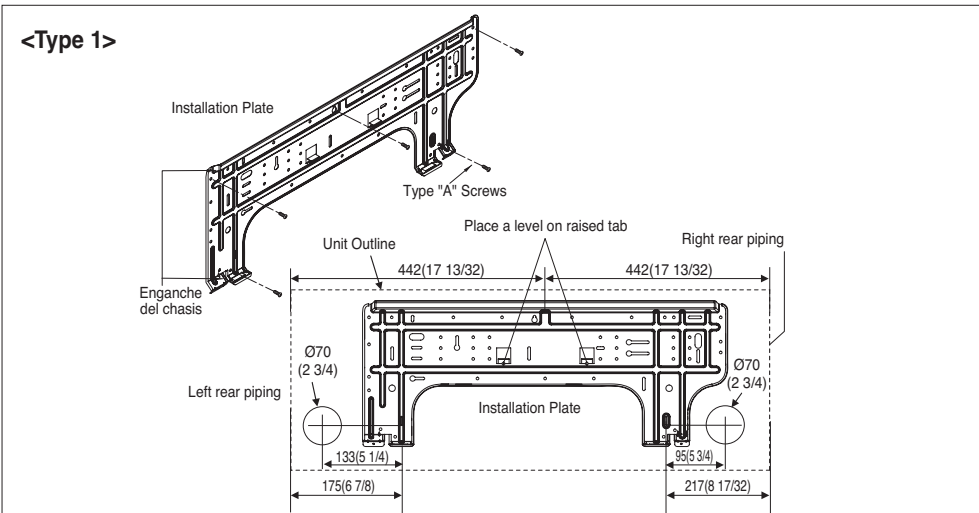
If the split type Indoor unit is installed in a wall having hole or opening near by or back side of the unit, then the air from other side of the wall can come inside the condition space through that hole / opening. That air can cause unwanted dew / water droplet formation when it comes in contact with body of the indoor unit. So all hole or opening on the wall must be blocked very well to avoid water dropping from the body of the unit.

# How to mount

The wall you select should be strong and solid enough to prevent vibration

1. Mount the installation plate on the wall with type "A" screws. If mounting the unit on a concrete wall, use anchor bolts.
  - Mount the installation plate horizontally by aligning the centerline using a level.
2. Measure the wall and mark the centerline. It is also important to use caution concerning the location of the installation plate-routing of the wiring to power outlets is through the walls typically. Drilling the hole through the wall for piping connections must be done safely.

Indoor Type	Capacity (kBtu/h)	Type
Wall-mounted Type	9/12	Type 1
	18	Type 2



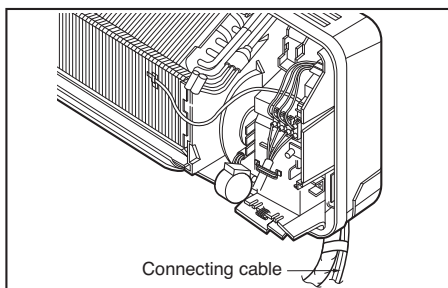


## Wiring Connection

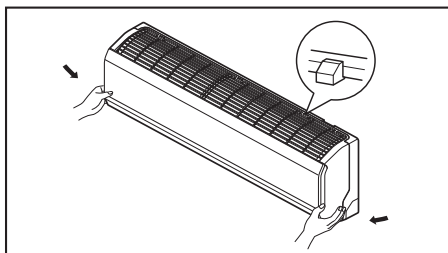
1. Connect the wires to the terminals on the control board individually according to the outdoor unit connection.
  - Ensure that the color of the wires of outdoor unit and the terminal No. are the same as those of indoor unit respectively.

Terminal Block in Indoor				
1(L1)	2(L2)		3	4

↑ ↑ ↑ ↑  
Connected to Outdoor Unit



2. Attach the Grille onto the cabinet.
  - Grasp the lower left and right side of the Grille and engage four tabs on the top inside edge of the chassis.
  - Press the Grille toward the chassis until it goes back into place.

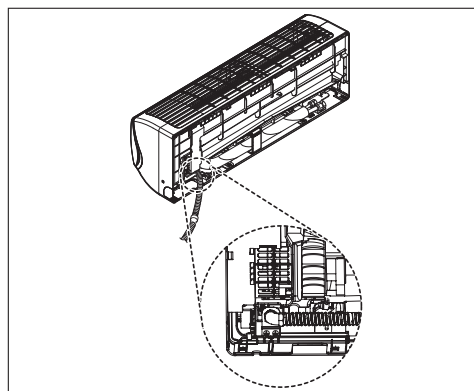
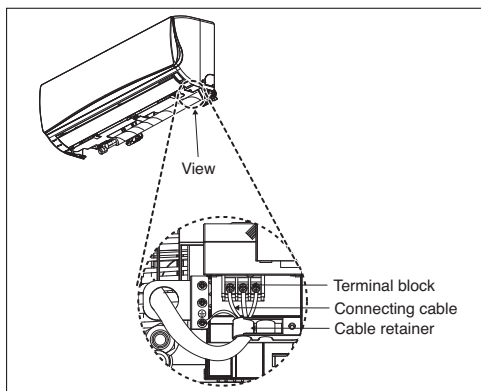
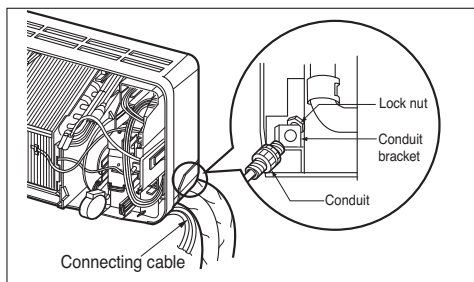
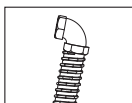


## Conduit connection

1. Set the connecting cable into the terminal block of indoor unit, and tighten set screw to lock the conduit bracket to the indoor unit.
2. Join the conduit and the conduit bracket together.



**CAUTION :** Must use the elbow type (L-Type) conduit.



[Ceiling Concealed Duct Type]

**Ceiling dimension and hanging bolt location**

**Installation of Unit**

Install the unit above the ceiling correctly.

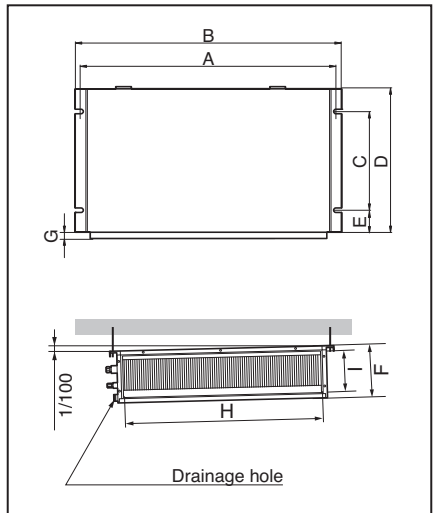
**CASE 1**

**POSITION OF SUSPENSION BOLT**

- Apply a joint-canvas between the unit and duct to absorb unnecessary vibration.
- Apply a filter Accessory at air return hole.

Unit:mm(inch)

Dimension \ Capacity	12k		18k		24k		30k		36k	
Dimension	A	B	C	D	E	F	G	H	I	J
Capacity Btu/h class	850 (33 15/32)	900 (35 13/32)	383 (15 3/32)	570 (22 7/16)	93.5 (3 11/16)	190 (7 1/2)	20.6 (13/16)	795 (31 5/16)	163 (6 13/32)	1100 (43 1/2)
	1130 (44 1/2)	1180 (46 1/2)	383 (15 3/32)	570 (22 7/16)	93.5 (3 11/16)	190 (7 1/2)	20.6 (13/16)	1065 (41 15/16)	163 (6 13/32)	1100 (43 1/2)

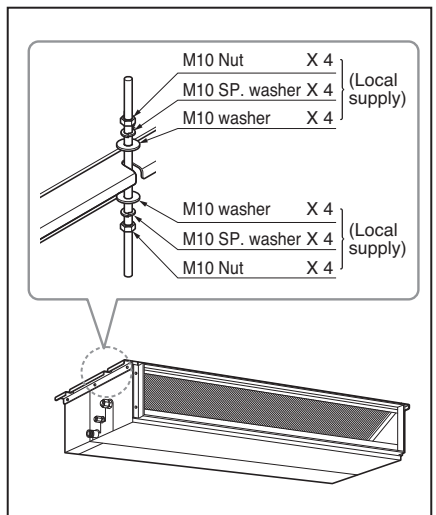


**CASE 2**

- Install the unit leaning to a drainage hole side as a figure for easy water drainage.

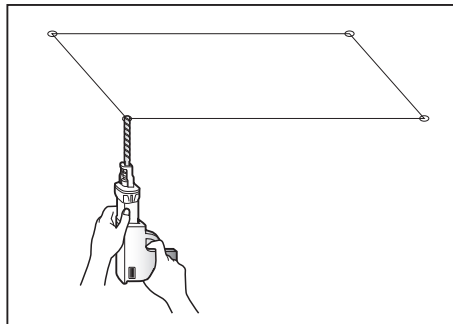
**POSITION OF CONSOLE BOLT**

- A place where the unit will be leveled and that can support the weight of the unit.
- A place where the unit can withstand its vibration.
- A place where service can be easily performed.

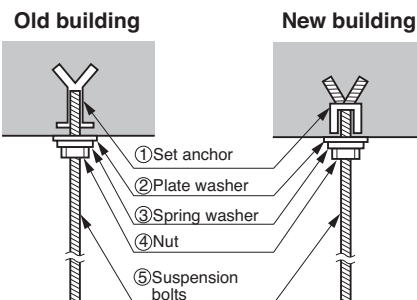


## How to mount

- Select and mark the position for fixing bolts.
- Drill the hole for set anchor on the face of ceiling.



- Insert the set anchor and washer onto the suspension bolts for locking the suspension bolts on the ceiling.
- Mount the suspension bolts to the set anchor firmly.
- Secure the installation plates onto the suspension bolts (adjust level roughly) using nuts, washers and spring washers.

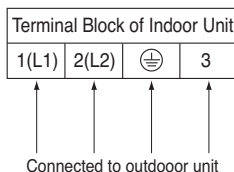


**CAUTION : Tighten the nut and bolt to prevent unit falling.**

## Wiring Connection

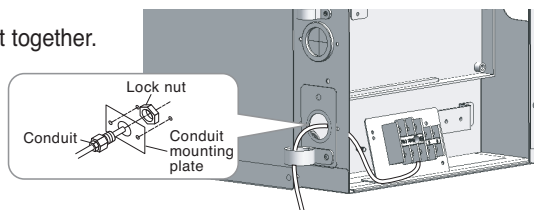
Connect the wires to the terminals on the control board individually according to the outdoor unit connection.

- Ensure that the color of the wires of outdoor unit and the terminal No. are the same as those of indoor unit respectively.



## Conduit connection

1. Remove the bushing rubber product attached on the indoor unit.
2. Set the connecting cable into the terminal block of indoor unit, and tighten set screw to lock the conduit bracket to the indoor unit.
3. Join the conduit and the conduit bracket together.

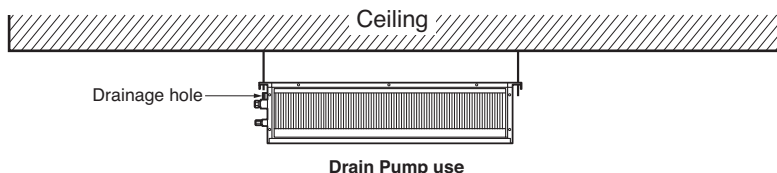


## CAUTION

1. Install declination of the indoor unit is very important for the drain of the duct type air conditioner.
2. Minimum thickness of the insulation for the connecting pipe shall be 19mm(1/32 inch).

### Front of view

- The unit must be horizontal or declined to the drain hose connected when finished installation.



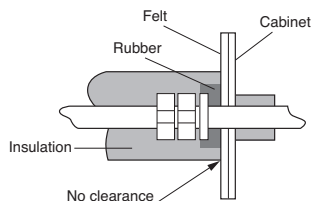
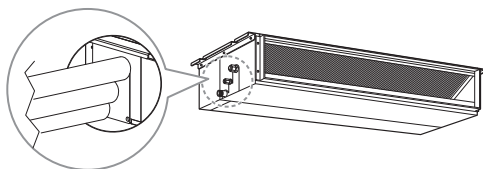
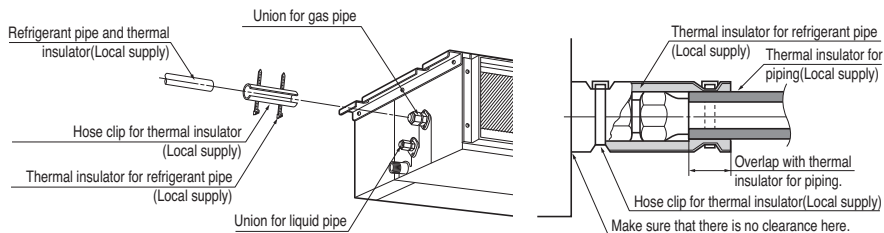
## INSULATION, OTHERS

Insulate the joint and tubes completely.

### THERMAL INSULATION

All thermal insulation must comply with local requirement.

#### INDOOR UNIT



### TEST AND CHECK

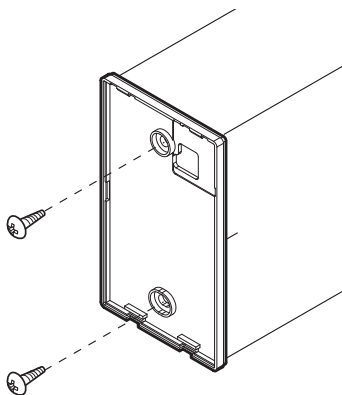
■ **After all workings are finished, check the working and operation.**

- Air distribution ..... Is the air circulation good?
- Drain ..... Is the drainage smoothly and no sweating?
- Gas leakage ..... Is the piping connection correctly?
- Wiring ..... Is the wiring connection correctly?
- Lock-bolt ..... Is the lock-bolt of compressor loosened?
- Insulation ..... Is the unit fully insulated?
- Ground ..... Is the unit safely grounded?

## Remote controller installation

**Please fix tightly using provided screw after placing remote controller setup board on the place where you like to setup.**

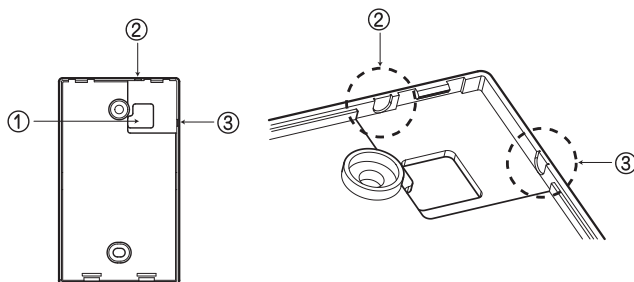
- Please set it up not to bend because poor setup could take place if setup board bends.
- Please set up remote controller board fit to the reclamation box if there is a reclamation box.



**Can set up Wired remote controller cable into three directions.**

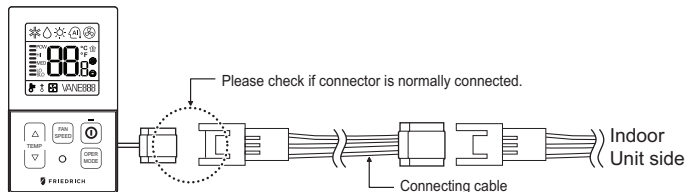
- Setup direction: the surface of wall reclamation, upper, right
- If setting up remote controller cable into upper and right side, please set up after removing remote controller cable guide groove.
- \* Remove guide groove with long nose.

- ① Reclamation to the surface of the wall
- ② Upper part guide groove
- ③ Right part guide groove



<Wire guide grooves>

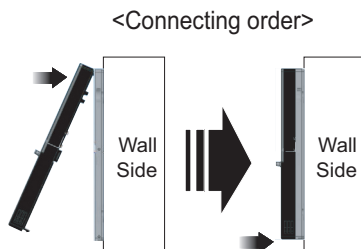
**Please connect indoor unit and remote controller using connection cable.**



**Please use extension cable if the distance between wired remote controller and indoor unit is more than 10m.**

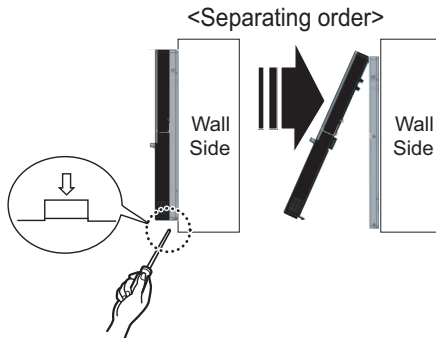
**Please fix remote controller upper part into the setup board attached to the surface of the wall, as the picture below, and then, connect with setup board by pressing lower part.**

- Please connect not to make a gap at the remote controller and setup board's upper and lower, right and left part.



**When separating remote controller from setup board, as the picture below, after inserting into the lower separating hole using screw driver and then, spinning clockwise, remote controller is separated.**

- There are two separating holes. Please individually separate one at a time.
- Please be careful not to damage the inside components when separating.



**CAUTION :**

When installing the wired remote controller, do not bury it in the wall.

(It can cause damage in the temperature sensor.)

Do not install the cable to be 50m or above.

(It can cause communication error.)

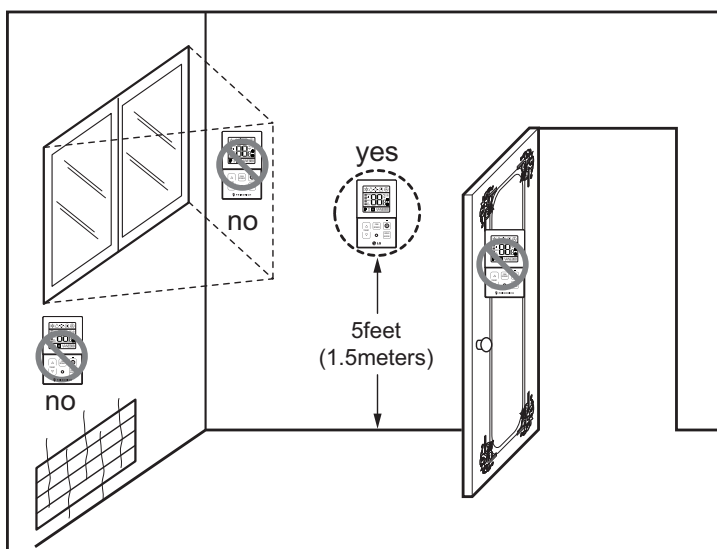
- When installing the extension cable, check the connecting direction of the connector of the remote controller side and the product side for correct installation.
- If you install the extension cable in the opposite direction, the connector will not be connected.
- Specification of extension cable: 2547 1007 22# 2 core 3 shield 5 or above.
- Apply totally enclosed noncombustible conduit in case of local building code Requiring plenum cable usage.

## Wired remote controller installation

Since the room temperature sensor is in the remote controller, the remote controller box should be installed in a place away from direct sunlight, high humidity and direct supply of cold air to maintain proper space temperature. Install the remote controller about 5ft(1.5m) above the floor in an area with good air circulation at an average temperature.

**Do not install the remote controller where it can be affected by:**

- Drafts, or dead spots behind doors and in corners.
- Hot or cold air from ducts.
- Radiant heat from sun or appliances.
- Concealed pipes and chimneys.
- Uncontrolled areas such as an outside wall behind the remote controller.
- This remote controller is equipped with LCD. display. For proper display of the remote controller LCD's, the remote controller should be installed properly as shown in Fig.1.  
(The standard height is 4~5 ft (1.2~1.5 m) from floor level.)

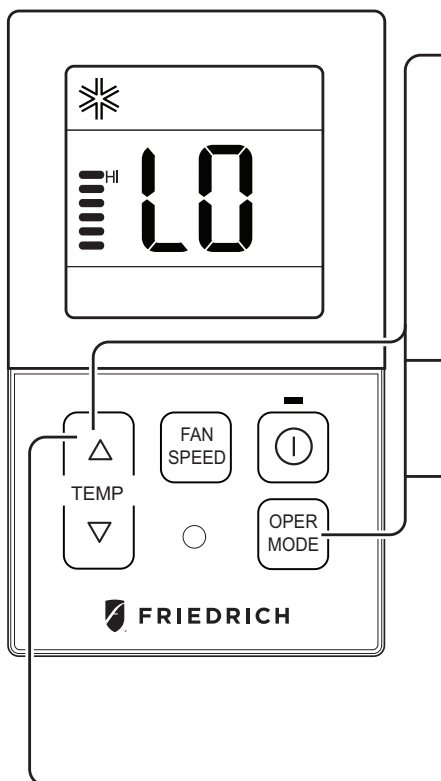




[Fig.1]





## Installer Setting - Test Run Mode

After installing the product, you must run a Test Run mode.

For details related to this operation, refer to the product manual.



- 1** When pressing the  button and  button simultaneously for more than 3 seconds, the system will be entered into the installer setting mode.

  - After entering into the installer setting mode, select the test run mode code value by pressing the  button.
  - \* Test run mode code value : 01
- 2** When pressing the  button, the test operation mode will be performed, and it is displayed as shown in the left figure.
- 3** When pressing the  button and  button simultaneously for more than 3 seconds after the setting has been completed, the setting mode will be released.

  - If there isn't any button input for more than 25 seconds, the installer setting mode will also be released.
- 4** When approx. 18 minutes are elapsed after starting of the test oper-mode, the system will be stopped automatically and converted to the standby state.

  - If any button is inputted during the test run mode, the test run mode will be forced to be released.

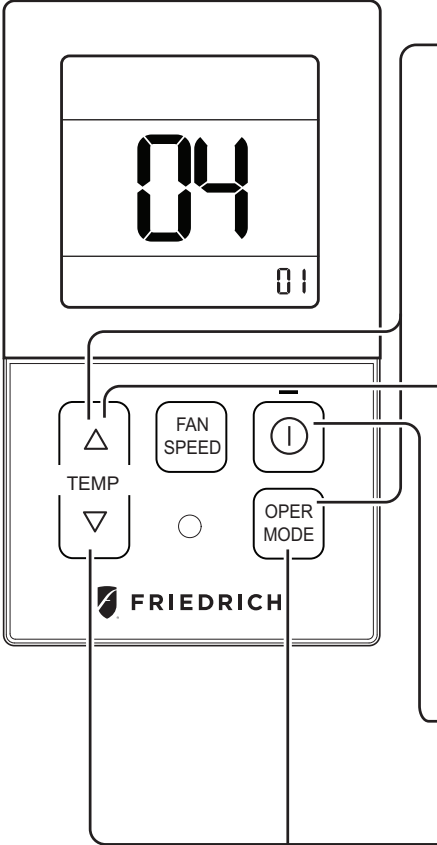
• What is the test run mode??



- This means the operation of the product under the cooling, strong wind, and Comp on state without performing room temperature control in order to confirm the installed state during the product installation.






## Installer Setting - Thermistor

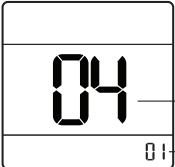
This is the function to select the temperature sensor to judge the room temperature.






- 1** When pressing the  button and  button simultaneously for more than 3 seconds, the system will be entered into the installer setting mode.

- After entering into the installer setting mode, select the thermistor sensor setting code value by pressing the  button.

\* Thermistor sensor selection code value : 04
- 2** Select the desired setting value with the temperature up() , down() button.



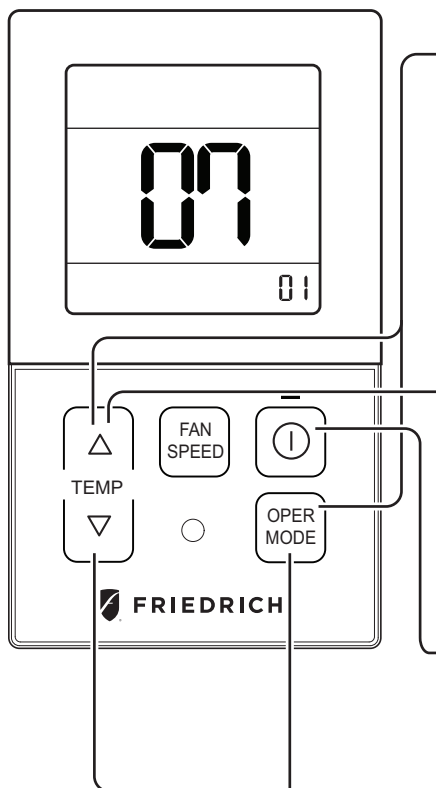
\*Setting value  
01: Remote controller  
02: Indoor unit  
03: 2TH
- 3** When pressing the  button, currently established thermistor sensor location will be set up.
- 4** When pressing the  button and  button simultaneously for more than 3 seconds after the setting has been completed, the setting mode will be released.

- If there isn't any button input for more than 25 seconds, the installer setting mode will also be released.

- As the characteristic of the '2TH' function can be different in accordance with the products, refer to the product instruction manual for its detail.

## Installer Setting - Group Setting

It is a function for settings in group control, or 2-remote controller control.

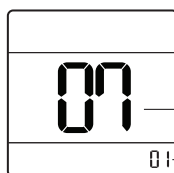


**1** When pressing the button and button simultaneously for more than 3 seconds, the system will be entered into the installer setting mode.

- After entering into the installer setting mode, select the ceiling height setting code value by pressing the oper-mode button.

\* Remote controller master/slave setting code value : 07

**2** Select the desired setting value with the temperature up(), down() button.



\*Setting value  
00:Slave  
01:Master

**3** When pressing the button, currently established static pressure value will be set up.

**4** When pressing the button and button simultaneously for more than 3 seconds after the setting has been completed, the setting mode will be released.

- If there isn't any button input for more than 25 seconds, the installer setting mode will also be released.

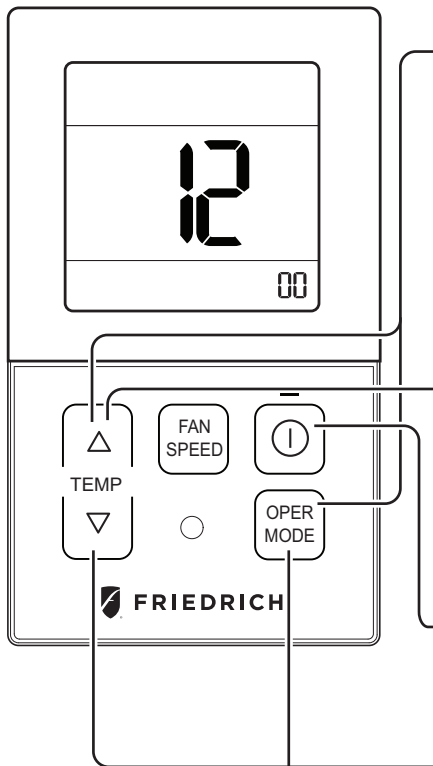
Remote controller	Function
Master	Indoor unit operates based on master remote controller at group control. (Master is set when delivering from the warehouse.)
Slave	Setup all remote controllers except one master remote controller to slave at group control

\* Refer to the 'group control' part for details

- When controlling in groups, basic operation settings, airflow strength weak/medium/strong, lock setting of the remote controller, time settings, and other functions may be restricted.

## Installer Setting - Celsius / Fahrenheit Switching

This function is used for switching the display between Celsius and Fahrenheit.  
(Optimized only for U.S.A)

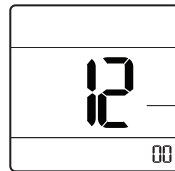


**1** When pressing the button and button simultaneously for more than 3 seconds, the system will be entered into the installer setting mode.

- After entering into the installer setting mode, select the ceiling height setting code value by pressing the oper-mode button.

\* Celsius/Fahrenheit setting code value : 07

**2** Select the desired setting value with the temperature up() , down() button.



\*Setting value  
00:Celsius  
01:Fahrenheit

Code value

Value

**3** When pressing button, currently established celsius/Fahrenheit setting value will be set up.

**4** When pressing the button and button simultaneously for more than 3 seconds after the setting has been completed, the setting mode will be released.

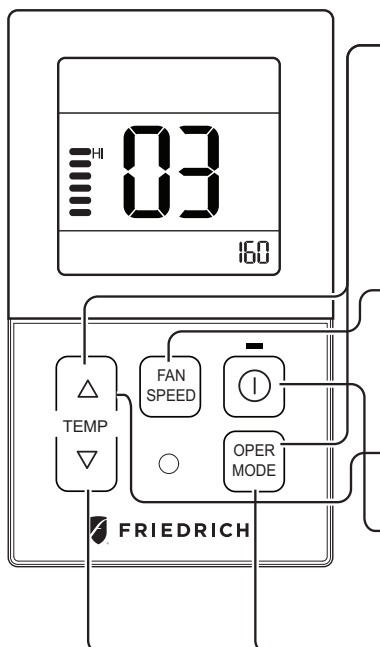
- If there isn't any button input for more than 25 seconds, the installer setting mode will also be released.











- Whenever press temp up() , down() button in Fahrenheit mode, the temperature will increase/drop 2 degrees.

## Installer Setting - E.S.P.

This is the function that decides the strength of the wind for each wind level and because this function is to make the installation easier.

- If you set ESP incorrectly, the air conditioner may malfunction.
- This setting must be carried out by a certificated-technician.



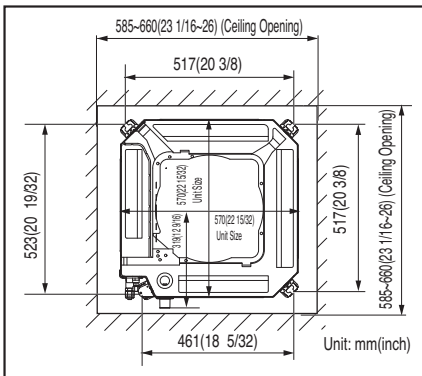
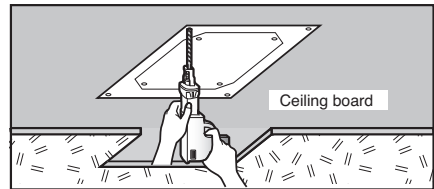
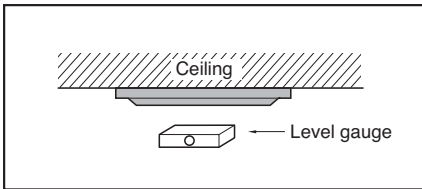
- 1** When pressing the  button and  button simultaneously for more than 3 seconds, the system will be entered into the installer setting mode.  
- After entering into the installer setting mode, select the E.S.P code value by pressing the  button.  
\* E.S.P code value : 03
- 2** Select the desired air flow rate with the  button. Whenever pressing the  button, [SLo→Lo→Med→Hi→Po] will be indicated.
- 3** Select the desired air flow rate value with the temperature up() , down() button.  
\* E.S.P value range : 0~255  
- E.S.P value will be indicated at the upper right section of the display window.
- 4** When pressing the  button, currently established E.S.P value will be set up.
- 5** When pressing the  button and  button simultaneously for more than 3 seconds after the setting has been completed, the setting mode will be released.  
- If there isn't any button input for more than 25 seconds, the installer setting mode will also be released.

Static pressure(mmAq)		0	1	2	3	4
Model name	Step(H/M/L)	Setting value				
MD12Y3JM	9.5 CMM(335cfm)	82	90	99	109	118
	8.5 CMM(300cfm)	75	84	94	104	114
	7.5 CMM(265cfm)	69	77	88	99	110
MD18Y3JM	15 CMM(530cfm)	90	97	105	114	122
	13.5 CMM(477cfm)	82	90	99	109	119
	11.5 CMM(406cfm)	75	84	93	103	114

## [Ceiling Cassette Type]

### Ceiling dimension and hanging bolt location

- The dimensions of the paper model for installation are the same as those of the ceiling opening dimensions.



- Select and mark the position for fixing bolts and piping hole.
- Decide the position for fixing bolts slightly tilted to the drain direction after considering the direction of drain hose.
- Drill the hole for anchor bolt on the wall.

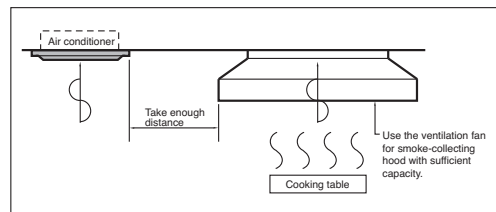


#### CAUTION :

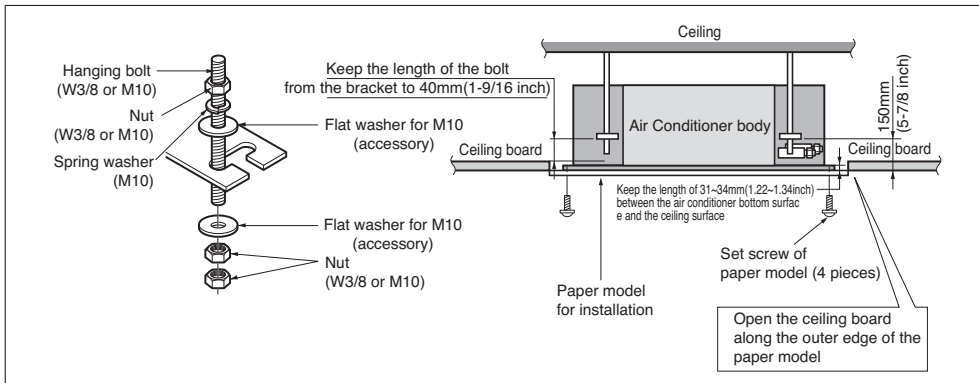
- This air-conditioner uses a drain pump.
- Install the unit horizontally using a level gauge.
- During the installation, care should be taken not to damage electric wires.

#### NOTICE

- Avoid the following installation location.
  - Such places as restaurants and kitchen where considerable amount of oil steam and flour is generated. These may cause heat exchange efficiency reduction, or water drops, drain pump mal-function. In these cases, take the following actions;
    - Make sure that ventilation fan is enough to cover all noxious gases from this place.
    - Ensure enough distance from the cooking room to install the air conditioner in such a place where it may not suck oily steam.
  - Avoid installing air conditioner in such places where cooking oil or iron powder is generated.
  - Avoid places where inflammable gas is generated.
  - Avoid place where noxious gas is generated.
  - Avoid places near high frequency generators.



## How to Fix



• The following parts are local purchasing.

- ① Hanging Bolt - W 3/8 or M10
- ② Nut - W 3/8 or M10
- ③ Spring Washer - M10
- ④ Plate Washer - M10



**CAUTION : Tighten the nut and bolt to prevent unit from falling off.**

## Wiring Connection

- Open the control box cover and connect the remote control cord and indoor power wires.

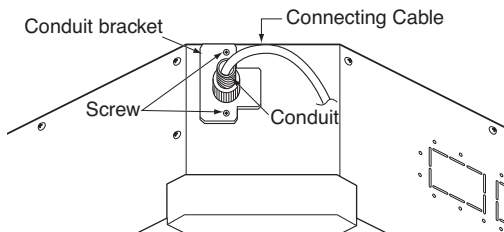
**TQ/TR series**

Terminal Block of Indoor Unit				
1(L1)	2(L2)	3	4	5

↑ ↑ ↑  
Connected to outdoor unit

## Conduit connection

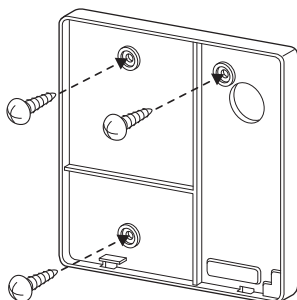
- Remove the busing rubber product attached on the indoor unit.
- Join the conduit and the conduit bracket together using nut.
- Set the connecting cable into the terminal block of indoor unit, and tighten set screw to lock the conduit bracket to the indoor unit.



## Installation of Wired Remote Controller(Optional)

### 1. Please fix tightly using provided screw after placing remote controller setup board on the place where you like to setup.

- Please set it up not to bend because poor setup could take place if setup board bends.  
Please set up remote controller board fit to the reclamation box if there is a reclamation box.
- Install the product so as not to make a gap with the wall side and to prevent shaking after the installation.



### 2. Can set up Wired remote controller cable into three directions.

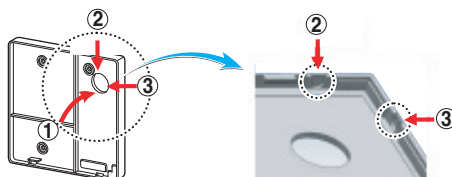
- Setup direction: the surface of wall reclamation, upper, right
- If setting up remote controller cable into upper and right side, please set up after removing remote controller cable guide groove.

※ Remove guide groove with long nose.

#### ① Reclamation to the surface of the wall

#### ② Upper part guide groove

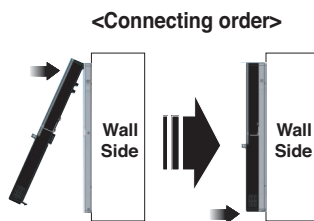
#### ③ Right part guide groove



<Wire guide grooves>

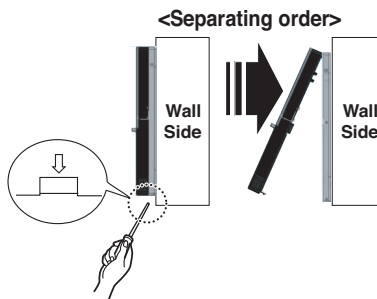
**3. Please fix remote controller upper part into the setup board attached to the surface of the wall, as the picture below, and then, connect with setup board by pressing lower part.**

- Please connect not to make a gap at the remote controller and setup board's upper and lower, right and left part.
- Before assembly with the installation board, arrange the Cable not to interfere with circuit parts.



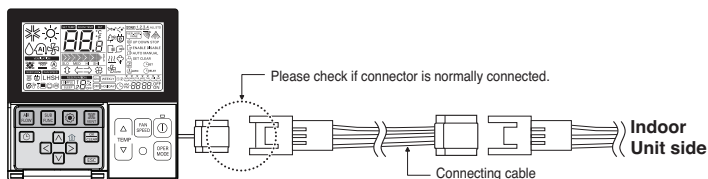
**When separating remote controller from setup board, as the picture below, after inserting into the lower separating hole using screw driver and then, spinning clockwise, remote controller is separated.**

- There are two separating holes. Please individually separate one at a time.
- Please be careful not to damage the inside components when separating.



**4. Please connect indoor unit and remote controller using connection cable.**

12V	Red
Signal	Yellow
GND	Black



**CAUTION**

**When installing the wired remote controller, do not bury it in the wall.  
(It can cause damage in the temperature sensor.)  
Do not install the cable to be 50m(164ft) or above.  
(It can cause communication error.)**

- When installing the extension cable, check the connecting direction of the connector of the remote controller side and the product side for correct installation.
- If you install the extension cable in the opposite direction, the connector will not be connected.
- Specification of extension cable: 2547 1007 22# 2 core 3 shield 5 or above.

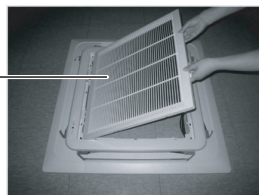


## Installation of Decorative Panel

**The decorative panel has its installation direction.  
Before installing the decorative panel, always remove the paper template.**

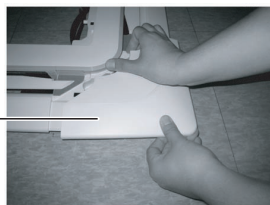
1. Remove the packing and take out air inlet grille from front panel.

Front grille



2. Remove the Corner covers of the panel.

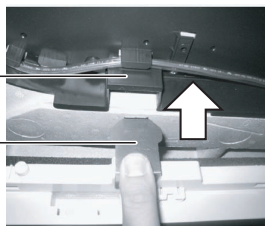
Coner cover



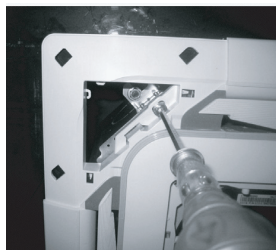
3. Fit the panel on the unit by inserting hooks as shown in picture.

Hook clip

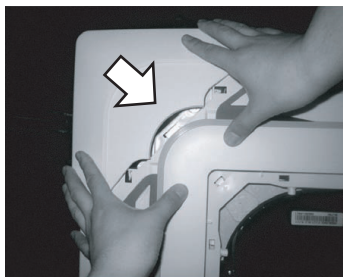
Hook



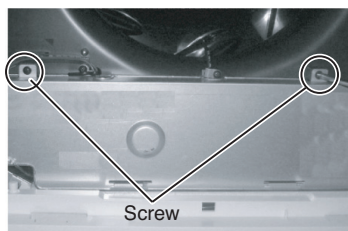
4. Insert two screws on diagonal corners of panel. Do not tighten the bolts completely. (The fixing screws are included in the indoor unit box.) Check the alignment of panel with the ceiling. Height can be adjusted using hanging bolts as shown in picture. Insert the other two screws and tighten all screws completely.



5. Fit the corner covers.



6. Open two screws of control panel cover.

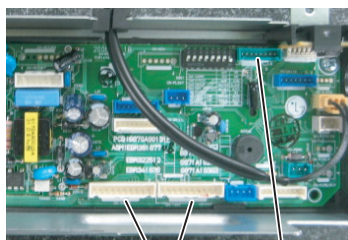


7. Connect one display connector and two vane control connectors of front panel to indoor unit PCB.

The position marking on PCB is as:

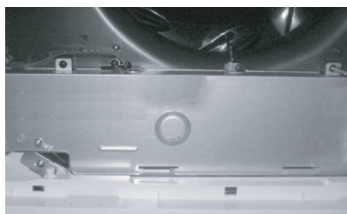
Display connector : CN-DISPLAY

Vane control connector: CN-VANE 1,2

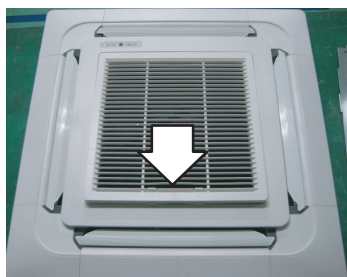


CN-VANE 1,2 CN-DISPLAY

8. Close the cover for control box.

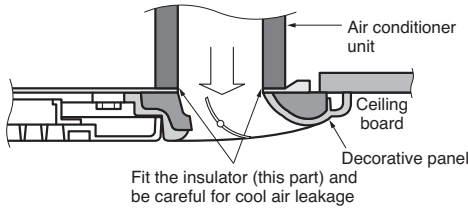


9. Install the air inlet grille and Filter on the panel.

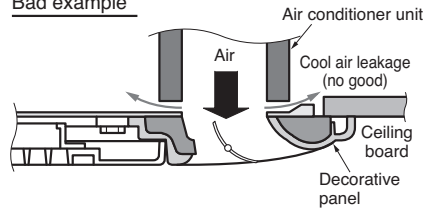


**! CAUTION: Cool air leakage causes sweating/condensation. Ensure panel is sealed properly.**

Good example



Bad example



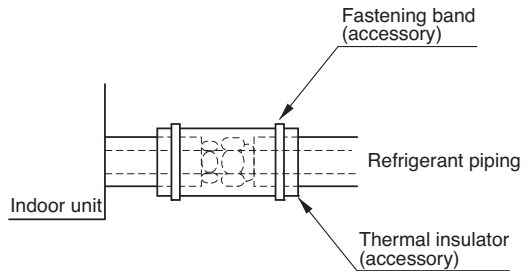
## HEAT INSULATION

1. Use the heat insulation material for the refrigerant piping which has an excellent heat-resistance [over 120°C(248°F)].

2. Precautions in high humidity circumstance:

This air conditioner has been tested according to the "KS Standard Conditions with Mist" and confirmed that there is not any default. However, if it is operated for a long time in high humid atmosphere [dew point temperature: more than 23°C(73.4°F)], water drops are liable to fall. In this case, add heat insulation material according to the following procedure:

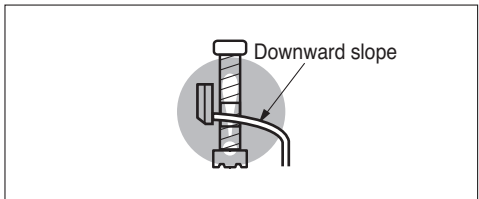
- Heat insulation material to be prepared... Adiabatic glass wool with thickness 10(0.4) to 20 mm(0.8 inch).
- Stick glass wool on all air conditioners that are located in ceiling atmosphere.



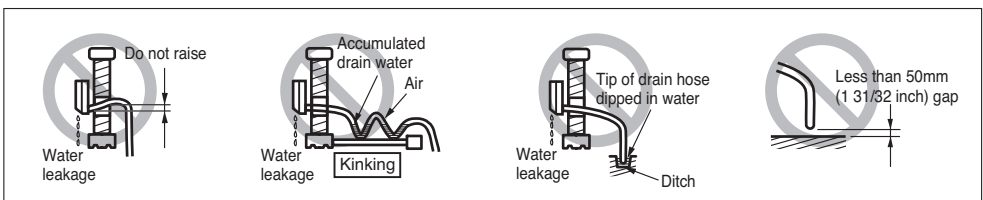
## Drain Piping

### Wall-mounted Type

1. The drain hose should point downward for optimum drainage.



2. Incorrect Installation Examples:



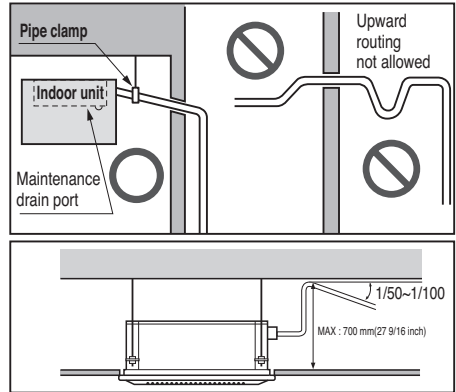
**[Ceiling Concealed Duct/Ceiling Cassette Type]**

- Drain piping must have down-slope (1/50 to 1/100): be sure not to provide up-and-down slope to prevent reversal flow.
- During drain piping connection, be careful not to exert extra force on the drain port on the indoor unit.
- The outside diameter of the drain connection on the indoor unit is 32mm(1 1/4 inch).

Piping material: Polyvinyl chloride pipe inner diametes Ø 25mm(1 inch) and pipe fittings

- Be sure to install heat insulation on the drain piping.

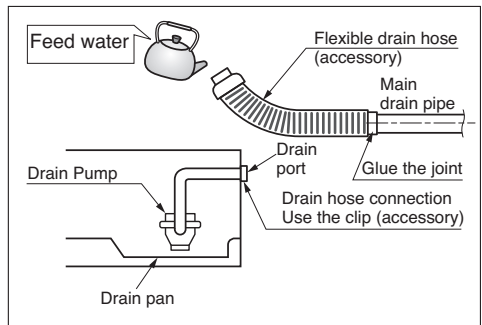
Heat insulation material: Polyethylene foam with thickness more than 8mm(5/16 inch).



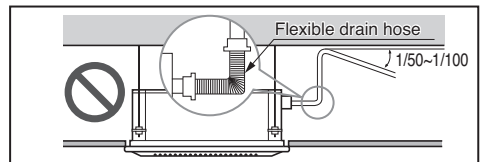
**Drain test**

The air conditioner uses a drain pump to drain water. Use the following procedure to test the drain pump operation:

- Connect the main drain pipe to the exterior and leave it provisionally until the test comes to an end.
- Feed water to the flexible drain hose and check the piping for leakage.
- Be sure to check the drain pump for normal operating and noise when electrical wiring is complete.
- When the test is complete, connect the flexible drain hose to the drain port on the indoor unit.



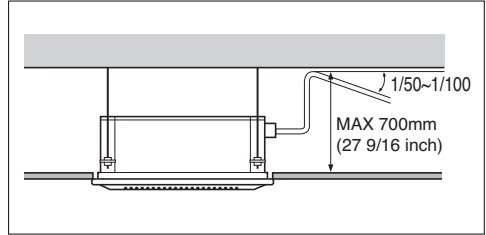
**CAUTION :** The supplied flexible drain hose should not be curved, neither screwed. The curved or screwed hose may cause a leakage of water.



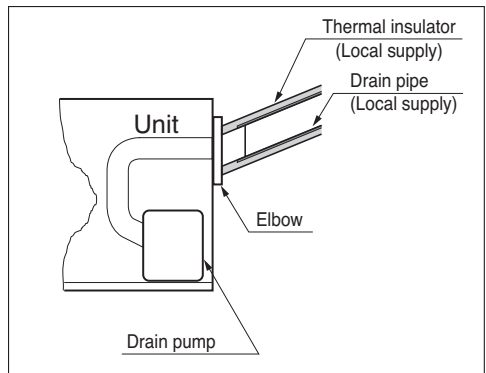
\* The figure can be changed according to model.

## Attention

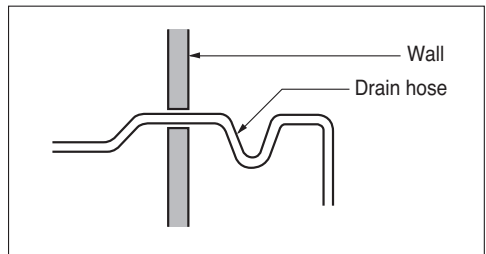
1. Possible drain-head height is up to 700mm(27 9/16 inch). So, it must be installed below 700mm(27 9/16 inch).
2. Keep the drain hose downward up to 1/50~1/100 inclination.  
Ex) length : 100 inch  $\Rightarrow$  height: 1~2 inch.  
Prevent any upward flow or reverse flow in any part.



3. 5mm(3/16 inch) or thicker formed thermal insulator is provided for the drain pipe.



4. Upward routing is not allowed.
5. Be sure to check the drain pump for normal operation and abnormal noise when electrical wiring is complete.



# Flaring Work and Connection of Piping

## Flaring work

Main cause of gas leakage is defect in flaring work. Carry out correct flaring work in the following procedure.

### 1) Cut the pipes and the cable.

- Use the accessory piping kit or the pipes purchased locally.
- Measure the distance between the indoor and the outdoor unit.
- Cut the pipes a little longer than measured distance.
- Cut the cable 1.5m(4.9ft) longer than the pipe length.

### 2) Burrs removal

- Completely remove all burrs from the cut cross section of pipe/tube.
- Put the end of the copper tube/pipe to downward direction as you remove burrs in order to avoid to let burrs drop in the tubing.

### 3) Putting nut on

- Remove flare nuts attached to indoor and outdoor units, than put them on pipe/tube having completed burr removal.  
(Not possible to put them on after flaring work)

### 4) Flaring work

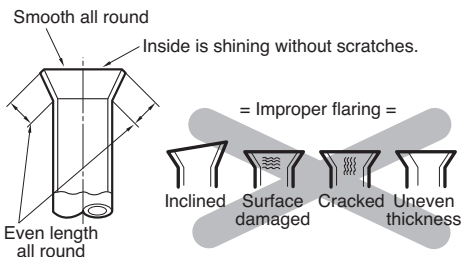
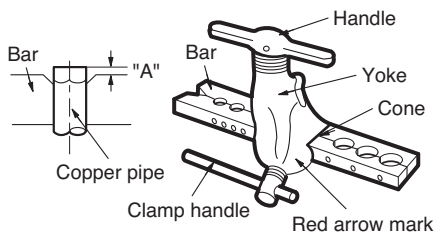
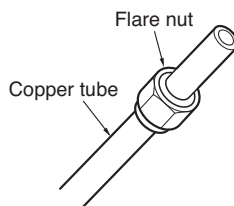
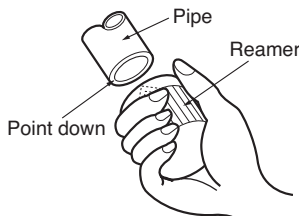
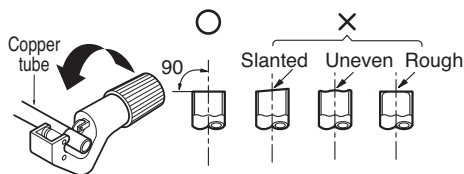
- Carry out flaring work using flaring tool as shown below.

Outside diameter		A	
mm	inch	mm	inch
Ø6.35	1/4	1.1~1.3	0.04~0.05
Ø9.52	3/8	1.5~1.7	0.06~0.07
Ø12.7	1/2	1.6~1.8	0.06~0.07

Firmly hold copper tube in a bar(or die) as indicated dimension in the table above.

### 5) Check

- Compare the flared work with figure.
- If flare is noted to be defective, cut off the flared section and do flaring work again.



## Connection of piping - Outdoor

Align the center of the piping and sufficiently tighten the flare nut by hand.

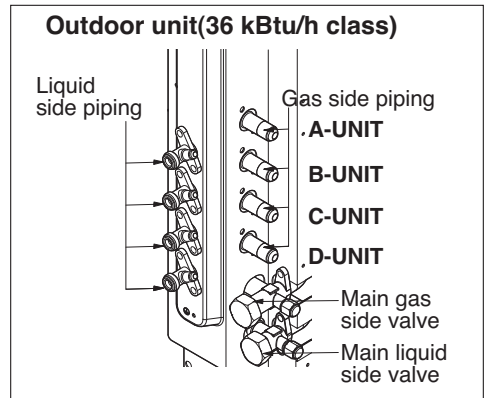
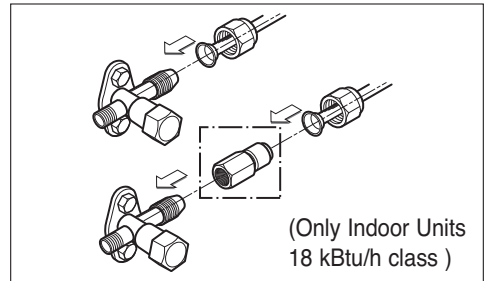
Connecting pipe order

- 1) A~D-UNIT gas side pipe
- 2) A~D-UNIT liquid side pipe

Finally, tighten the flare nut with torque wrench until the wrench clicks.

- When tightening the flare nut with torque wrench ensure the direction for tightening follows the arrow on the wrench.

Outside diameter		Torque
mm	inch	kgf.m(lbf.ft)
Ø6.35	1/4	1.8~2.5 (13~18)
Ø9.52	3/8	3.4~4.2 (24~30)
Ø12.7	1/2	5.5~6.6 (40~48)



# Connecting the Cable between Indoor Unit and Outdoor Unit

## Connect the cable to the Indoor unit.

Connect the cable to the indoor unit by connecting the wires to the terminals on the control board individually according to the outdoor unit connection. (Ensure that the color of the wires of the outdoor unit and the terminal No. are the same as those of the indoor unit.)

The ground wire should be longer than the common wires.

The circuit diagram is not subject to change without notice.

When installing, refer to the electrical diagram behind the front panel of Indoor Unit.

The wiring for the outdoor unit can be found on the inside of the Outdoor Unit control cover.



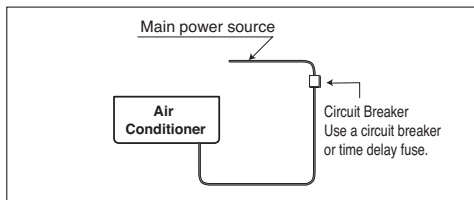
### RECOMMENDATION:

- The circuit diagram is subject to change without notice.
- Be sure to connect wires according to the wiring diagram.
- Connect the wires firmly, so that they can not be pulled out easily.
- Connect the wires according to color codes by referring to the wiring diagram.



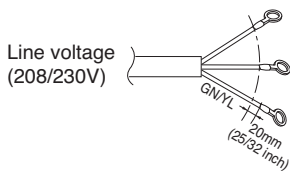
**RECOMMENDATION:** Provide a circuit breaker between power source and the outdoor unit as shown below.

Outdoor Unit Capacity (Btu/h class)	Power source	Fuse or breaker Capacity
24/36k	1ø,208/230V	25A



**RECOMMENDATION:** The power cord connected to the outdoor unit should comply with the following specifications: NRTL Recognized (for example, UL or ETL recognized and CSA certified).

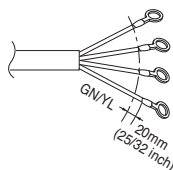
### ■ Power supply cable



The minimum recommended wire size for the 18k Btu/h unit is AWG 14-3, the minimum wire size for the 24/36k Btu/h unit is AWG 12-3.

As always, final wire selection is governed by local codes and should be installed by a licensed professional contractor.

### ■ Connecting cable



The power connecting cable between the outdoor and indoor units must comply with the following specifications: NRTL Recognized (for example, UL or ETL recognized and CSA certified).

AWG 18-4 is the minimum recommended wire size, however, the selected conductors must comply with local codes and be suitable for installation in wet locations.

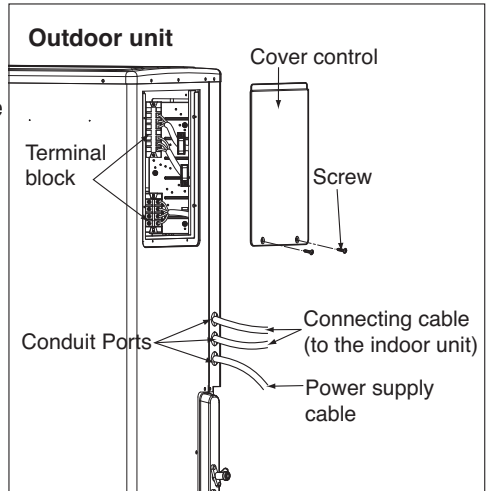


**RECOMMENDATION:** When using separate wires as the power cord, please secure separate wires in the control box panel using tie wraps to hold all wires in place.

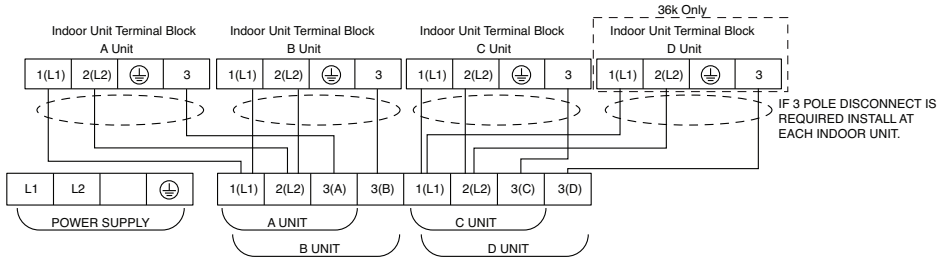


## Connect the cable to the Outdoor unit.

1. Remove the control cover by removing screws.  
Connect the wires to the terminals on the control board following the diagrams below.
2. Secure the cable onto the control board with the holder (clamp).
3. Re-attach the cover control to the original position using the screws.



### 24/36 kBTu/h class



#### NOTICE :

1. Use connection cable NRTL(UL, ETL, CAS...) listed and stranded copper(4) THHN conductors, sunlight (UV) resistant ROHS compliant PVC jacket 600V direct burial listed, approved for wet conditions. Temperature rated for  $-20^{\circ}\text{C}(-4^{\circ}\text{F})$  to  $90^{\circ}\text{C}(194^{\circ}\text{F})$ . And this cable should be enclosed in conduit.



#### WARNING:

- Be sure to comply with local and national codes while running the wire from the indoor unit to the outdoor unit(size of wire and wiring method, etc).
- Every wire must be connected firmly.
- No wire should be allowed to touch refrigerant tubing, the compressor or any moving parts.
- The communication wirings of air conditioner should be separate and isolated from external device's electric wiring such as computers, elevator, radio & Television broadcasting facilities, as well as medical imaging offices.

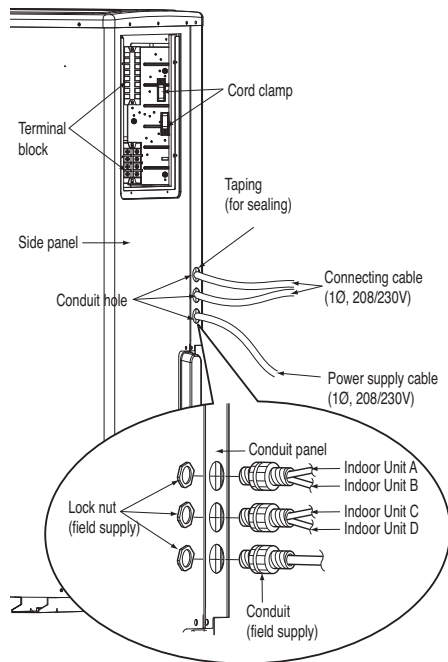
## Connection method of the connecting cable(Example)

- (1) Remove the side panel and knockouts of conduit panel. (for low voltage line)
- (2) Pull out connection cable through conduit.
- (3) After conduit to the panel, fix nut to the opposite side of panel.
- (4) Pass the connection cable through the hole.
- (5) Properly connect the cable on the terminal block.
- (6) Fix the connection cable with cord clamp provided on the unit not to have strain at the terminal when the connection cable is pulled outside up to a 35 pound weight



**WARNING: Loose wiring may cause the terminal to overheat or result in unit malfunction. A fire hazard may also exist. Therefore, be sure all wiring is tightly connected.**

When connecting each power wire to the corresponding terminal, follow instructions "How to connect wiring to the terminals" and fasten the wire tightly with the fixing screw of the terminal plate.

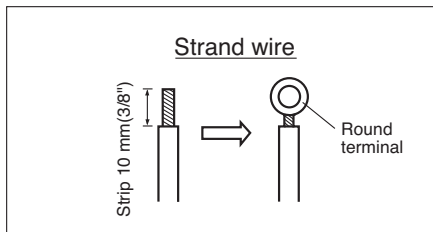


### How to connect wiring to the terminals

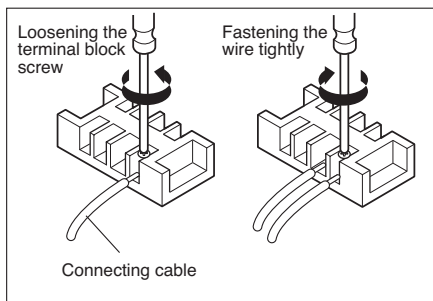
■ For strand wiring

- (1) Cut the wire end with a wire cutter or wire-cutting pliers, then strip the insulation to expose the strand wiring about 10 mm(3/8").
- (2) Using a screwdriver, remove the terminal screw(s) on the terminal plate.
- (3) Using a round terminal fastener or pliers, securely clamp each stripped wire end with a round terminal.
- (4) Position the round terminal wire, and replace and tighten the terminal screw using a screwdriver.

#### Power supply cable



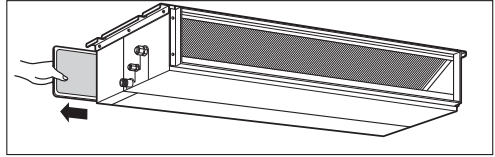
#### Connecting Cable



# Checking the Drainage, Insulating the Pipe and Special Piping Applications

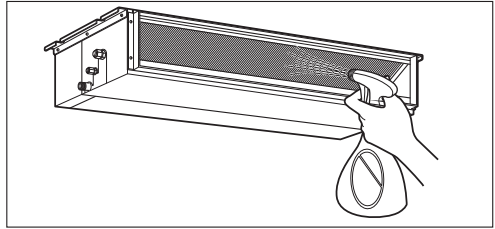
## Checking the drainage

### 1. Remove the Air Filter.



### 2. Check the drainage.

- Spray one or two glasses of water upon the evaporator.
- Ensure that water flows drain hose of indoor unit without any leakage.



※ The figure can be changed according to model.

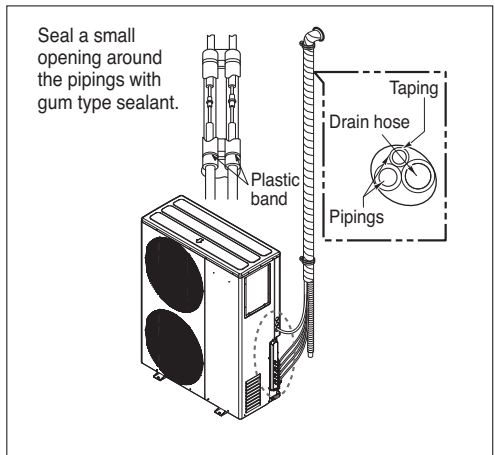
## Insulating the Pipe and Special Piping Applications

**Insulate the piping by wrapping the connecting portion of the indoor unit with insulation material and secure it with two kinds of vinyl tape.**

- If you want to connect an additional drain hose, the end of the drain outlet should be routed above the ground. Secure the drain hose appropriately.

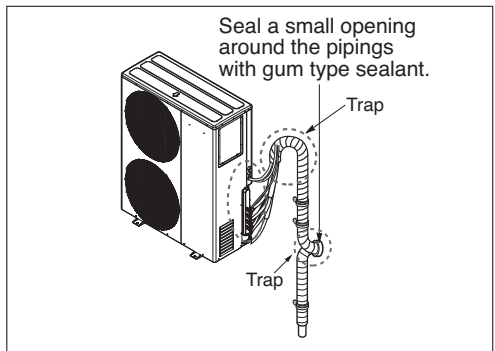
**In cases where the outdoor unit is installed below the indoor unit perform the following:**

1. Tape the piping, drain hose and connecting cable from down to up.
2. Secure the taped piping along the exterior wall using saddle or equivalent.



**In cases where the Outdoor unit is installed above the Indoor unit perform the following.**

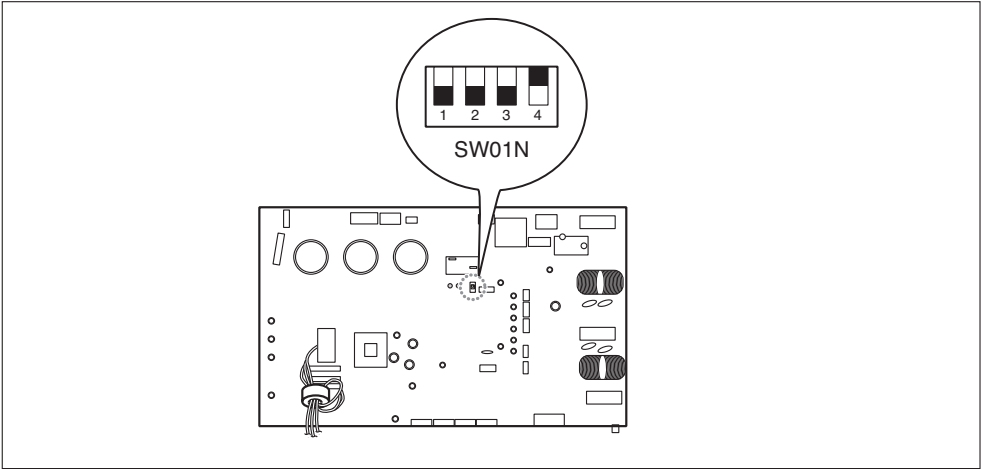
1. Tape the piping and connecting cable from down to up.
2. Secure the taped piping along the exterior wall. Form a trap to prevent water entering the room.
3. Secure the piping onto the wall using a saddle or equivalent.



## Extended line length setting

1. Open the top cover of outdoor unit.
2. Select one of the two selectable modes as follows.
3. Set the Zone as shown in Fig.
4. Close the top cover and check whether the product works normally.

**⚠ WARNING: Do not open the top cover or Set the pipe length when operating the product.**



# Air Purging and Evacuation

Air and moisture remaining in the refrigerant system have undesirable effects as indicated below.

1. Pressure in the system rises.
2. Operating current rises.
3. Cooling(or heating) efficiency drops.
4. Moisture in the refrigerant circuit may freeze and block capillary tubing.
5. Water may lead to corrosion of parts in the refrigeration system.

Therefore, the indoor/outdoor unit and connecting tube must be checked for leaks, and vacuumed to remove incondensable gas and moisture in the system.

## Leak Checking

### Preparation

- Check that each tube(both liquid and gas side tubes) between the indoor and outdoor units have been properly connected and all wiring for the test run has been completed. Remove the service valve caps from both the gas and the liquid sides on the outdoor unit. Check that both the liquid and the gas side service valves on the outdoor unit are kept closed at this stage.

### Leakage test

- Connect the manifold valve(with pressure gauges) and dry nitrogen gas cylinder to this service port with charge hoses.

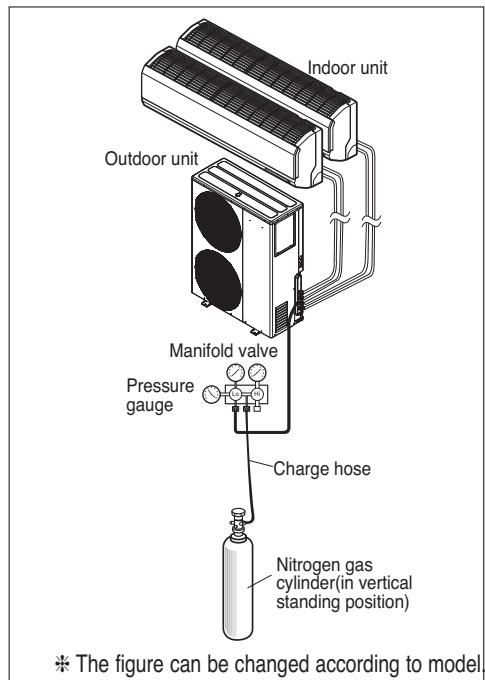
**CAUTION:** Be sure to use a manifold valve for leak testing. The high side manifold valve must always be kept closed.

- Pressurize the system to no more than 550 P.S.I.G. with dry nitrogen gas and close the cylinder valve when the gauge reading reached 550 P.S.I.G. Next, test for leaks with liquid soap.

**CAUTION:** To avoid nitrogen entering the refrigerant system in a liquid state, the top of the cylinder must be higher than its bottom when you pressurize the system. Usually, the cylinder is used in a vertical standing position.

**NOTICE :** Leakage testing should be done for each indoor unit connection set, separately.

1. Do a leakage test of all joints of the tubing(both indoor and outdoor) and both gas and liquid side service valves with soap bubbles. Bubbles indicate a leak. Be sure to wipe off the soap with a clean cloth.
2. After the system is found to be free of leaks, relieve the nitrogen pressure by loosening the charge hose connector at the nitrogen cylinder. When the system pressure is reduced to normal, disconnect the hose from the cylinder.



# Evacuation

1. Connect the charge hose end described in the preceding steps to the vacuum pump to evacuate the tubing and indoor unit. Confirm the "Lo" knob of the manifold valve is open. Then, run the vacuum pump. The operation time for evacuation varies with tubing length and capacity of the pump.

[Each Room] The vacuum pump must be operated less than 0.8torr of the gage pressure.

2. When the desired vacuum is reached, close the "Lo" knob of the manifold valve and stop the vacuum pump.

## Finishing the job

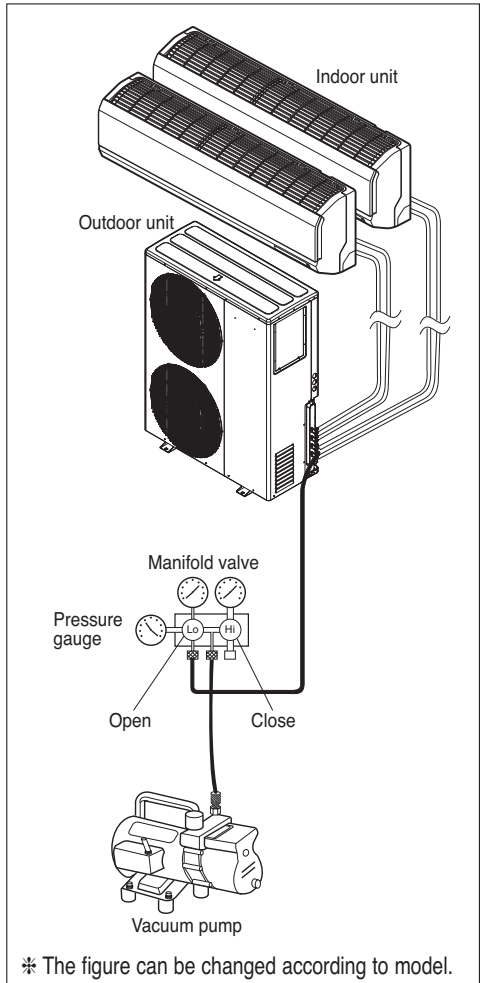
1. With a service valve wrench, turn the valve stem of liquid side valve counter-clockwise to fully open the valve.
2. Turn the valve stem of gas side valve counter-clockwise to fully open the valve.
3. Loosen the charge hose connected to the gas side service port slightly to release the pressure, then remove the hose.
4. Replace the flare nut and its bonnet on the gas side service port and fasten the flare nut securely with an adjustable wrench. This process is very important to prevent leakage from the system.
5. Replace the valve caps at both gas and liquid side service valves and fasten them tight.

This completes air purging with a vacuum pump.

The air conditioner is now ready for test running.

### NOTICE

: Repeat evacuation procedure for each indoor unit.



# Charging

- If installed total piping length is more than standard total length, additional refrigerant charging is necessary.

Below standard total piping length, additional refrigerant charging is not required.

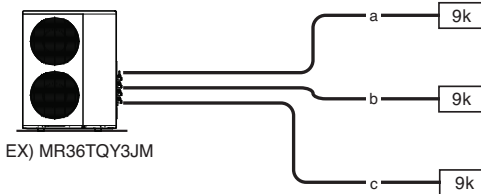
Unit:m(ft)

Outdoor Unit Capacity (Btu/h class)	Max total length of all pipes (A+B)/(A+B+C)/ (A+B+C+D)	Max length of each pipe (A/B/C/D)	Min length of each pipe (A/B/C/D)	Additional Refrigerant Unit : g/m (oz/ft)	Standard Total Piping Length (No Add'l refrigerant)
24k	75(246)	25(82)	3(9.8)	20(0.22)	22.5(74)
36k	75(246)	25(82)	3(9.8)	20(0.22)	30(98.4)

## Important:

If you are ever uncertain of the unit charge, reclaim, evacuate and weigh in the correct charge using the charge amount specified on the Unit's specification label.

Additional charge(oz) = (Total Installation Piping Length-Standard Total Piping Length) x 0.22



Each branch pipe

a=82ft

b=16ft

c=49ft

Additional Charge

$$= \{(82+16+49)-98.4\} \times 0.22 = 10.69 \text{ oz}$$

- \* If the total additional charge value after calculation comes out to be negative, then do not consider additional charge.







**FRIEDRICH**

1883

# Manuel d'installation

## DUCTLESS SPLIT SYSTEMS



FRANÇAIS

**TYPE : Multi zone**

THE EXPERTS IN ROOM AIR CONDITIONING

# CORDON FLEX MULTIPLE DIVISÉ ET CONSIGNES D'INSTALLATION

## IMPORTANT!

### **Veillez lire ces instructions au complet avant d'installer ce produit.**

Ce système de climatisation réunit strictement les standards de sécurité et de fonctionnement. En tant qu'installateur ou technicien spécialisé, une partie importante de votre travail consiste à installer et à réaliser le service technique de ce système d'une manière telle qu'il fonctionne de façon sûre et efficiente.



## PRÉCAUTION

- Une installation ou une réparation réalisées par des personnes non qualifiées peut provoquer des accidents.
- L'installation DOIT être réalisée conformément aux codes de construction locaux ou, en absence de ces codes, conformément aux Code électrique national NFPA 70/ANSI C1-1993 ou l'édition en vigueur, et conformément au Code électrique canadien Partie 1 CSA C.22.1.
- L'information contenue dans ce manuel a été conçue pour être utilisée par un technicien qualifié, informé des procédures de sécurité et équipé avec les outils et les instruments d'essai appropriés.
- Si les instructions de ce manuel ne sont pas lues avec soin et respectées, cela peut provoquer un mauvais fonctionnement de l'appareil, un dommage du bien, des blessures personnelles, voire la mort.

**ATTENTION:** Un défaut d'installation, du service technique ou dans l'entretien, et une réparation ou une modification inappropriées peuvent annuler la garantie.

Le poids de l'unité de condensation exige des précautions et des procédures de manipulation appropriées au moment de déposer ou déplacer l'unité afin d'éviter des blessures personnelles. Veillez à éviter également le contact avec les bords pointus ou aiguisés.

## Mesures de sécurité

- Utilisez toujours des protections de sécurité pour les yeux et des gants de travail lors de l'installation de l'appareil.
- Assurez-vous toujours que l'alimentation soit coupée. Vérifiez-le à l'aide des dispositifs et des instruments appropriés.
- Gardez les mains loin du ventilateur lorsque l'appareil est branché.
- Le R410A provoque des gelures.
- Le R410A est toxique lorsqu'il est brûlé.

## REMARQUE POUR L'INSTALLATEUR :

Les Instructions pour le propriétaire et la Garantie sont remises au propriétaire ou affichées clairement près de l'unité intérieure de contrôle d'air/chauffage.



## Précautions spéciales

### Lors du câblage :

**Un choc électrique peut provoquer des blessures personnelles graves, voire la mort.**

**Seulement un électricien qualifié et expérimenté doit réaliser le câblage du système.**

- Ne mettez pas l'unité sous tension jusqu'à ce que tout le câblage et le drainage soient complétés ou rebranchés et vérifiés.
- Des voltages électriques très dangereux sont utilisés dans ce système. Lisez avec soin le diagramme de câblage et ces instructions lors du câblage. Des connexions inappropriées et une mise à la terre incorrecte peuvent provoquer des blessures, voire la mort.
- Mettez l'unité à la terre suivant les codes électriques locaux.
- Serrez bien les câbles. Un câble mal serré peut provoquer la surchauffe des points de connexion et constitue un risque d'incendie.

### Lors du transport :

Levez et transportez avec soin les unités intérieure et extérieure.

Cherchez de l'aide pour le faire et fléchissez vos genoux pour le déposer afin d'éviter l'effort de votre dos. Les bords aiguisés ou les rebords tranchants d'aluminium du climatiseur peuvent vous couper les doigts.

### Lors de l'installation...

...dans un mur : assurez-vous que le mur soit assez fort pour supporter le poids de l'unité.

Il peut être nécessaire de construire un cadre en bois ou en métal afin d'assurer un support supplémentaire.

...dans une pièce : Isolez de façon appropriée toute la tuyauterie de drainage dans la pièce pour éviter la « transpiration », qui peut provoquer des égouttements et des problèmes d'humidité dans les murs et les planchers.

...dans des endroits humides ou non nivelés : Utilisez une base de béton ou des blocs de béton pour donner une base solide et nivelée à l'unité extérieure.

Cela prévient les problèmes d'humidité et les vibrations anormales.

...dans un secteur avec des vents très forts : Ancrez l'unité extérieure solidement à l'aide de boulons et d'un cadre métallique. Assurez un flux d'air approprié.

...dans un secteur où le neige beaucoup (seulement pour le modèle Pompe à chaleur) : Installez l'unité extérieure sur une plateforme élevée, qui se trouve au-dessus du niveau de la neige tombée. Installez des conduits d'échappement de neige.

### Lors de la connexion de la tuyauterie de réfrigération

- Gardez tous les drainages les plus courts possible.
- Utilisez la méthode d'évasement pour raccorder les tuyaux.
- Vérifiez soigneusement s'il y a des pertes avant de commencer le drainage d'essai.

### Lors de la réparation

- Coupez l'alimentation principale (dans le tableau d'alimentation principale) avant d'ouvrir l'unité pour vérifier ou réparer les pièces et les câbles électriques.
- Eloignez vos doigts et vos vêtements de toutes les pièces mobiles.
- Nettoyez le secteur après avoir fini. Assurez-vous qu'il n'y ait pas de tournure de fer ni de morceaux de câbles à l'intérieur de l'unité réparée.

# TABLE DES MATIÈRES

## Conditions d'installation

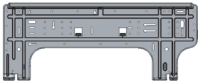
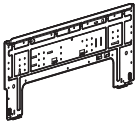


















<b>Installation Parts Provided</b> .....	4
<b>Description du produit</b> .....	5
Unité intérieure.....	5
Unité extérieure.....	5
<b>Mesures de sécurité</b> .....	6
<b>Installation de l'unité intérieure et de l'unité extérieure</b> .....	9
Choix du meilleur emplacement .....	9
Guide d'installation en bord de mer .....	11
Élévation et longueur de la tuyauterie .....	12
<b>Installation</b> .....	13
Raccordement de la tuyauterie.....	13
How to mount.....	16
Connexion du câblage .....	17
Raccordement du tuyau.....	17
Dimension du plafond et emplacement des fixations .....	18
Wall-mounted Type .....	19
Raccordement des câbles entre l'unité intérieure .....	19
Raccordement du tuyau.....	19
Instructions d'installation .....	21
Wired Installation télécommande.....	23
Réglage d'installation – Mode test de fonctionnement .....	24
Réglage d'installation - Thermistance .....	25
Réglage d'installation - Configurazione Gruppo .....	26
Réglage d'installation - Conversion degrés Celsius (°C)/Fahrenheit (°F) .....	27
Réglage d'installation – E.S.P.....	28
Dimension du plafond et emplacement des boulons de support .....	29
Comment fixer.....	30
Connexion du câblage .....	30
Raccordement du tuyau .....	30
Installation de la commande à distance (En option).....	31
Installation du panneau décoratif.....	33
Tuyauterie de drainage .....	35
<b>Travail d'évasement et raccordement de la tuyauterie</b> .....	38
Travail d'évasement .....	38
Raccordement des tuyaux - Extérieur .....	39
<b>Câblage entre l'unité intérieure et l'unité extérieure</b> .....	40
Câblage de l'unité intérieure .....	40
Câblage de l'Unité extérieure .....	41
Méthode de câblage du câble de connexion (Exemple) .....	42
<b>Vérification du drainage, montage de la tuyauterie et ajustement du tuyau long</b> .....	43
Vérification du drainage (système d'écoulement).....	43
Montage de la tuyauterie .....	43
<b>Extended line length setting</b> .....	44
<b>Épuration et évacuation d'air</b> .....	45
Méthode de vérification.....	45
Évacuation .....	46
<b>Charge</b> .....	47

## Outils nécessaires


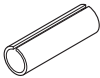






- Indicateur de niveau
- Tournevis
- Perceuse électrique
- Perceuse percutante [Φ50mm(2 inch)]
- Dispositif de nivellement
  
- Ensemble d'outils d'évasement
- Clés de serrage dynamométriques spécifiées  
1.8kg.m, 4.2kg.m, 5.5kg.m, 6.6kg.m  
(différentes selon le numéro du modèle)
- Clé de serrage.....Demi-raccord
  
- Un verre d'eau
- Tournevis
  
- Clé à six pans (4mm)
- Détecteur de fuite de gaz
- Pompe à vide
- Indicateur de niveau du collecteur
  
- Manuel du propriétaire
- Thermomètre
- Support de la télécommande

# Installation Parts Provided

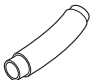









## [Wall-mounted Type]

Type 1		Type 2	
Plaque d'installation		Plaque d'installation	
			
Vis type "B"	Vis type "C"	Vis type "B"	Vis type "C"
 	 	 	 
Vis type "A"		Vis type "A"	
   		   	
Support de la télécommande		Support de la télécommande	
			

## [Climatiseur à conduit caché dans le plafond]

Nom	Collier serre joint	Matériau d'isolation	Vis pour des brides de conduit	Colliers de serrage	Support du tuyau
Quantité	1 EA	1 set	1 set	8 EA	1 EA
Forme		 pour tuyau de gaz  pour tuyau de liquide			 Support du tuyau   Vis(M4) 2

## [Climatiseur Type Cassette]

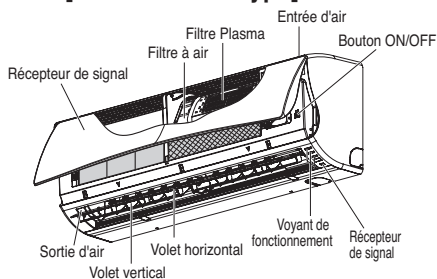
Nom	Raccord de drainage	Collier serre joint	Rondelle	Colliers de serrage	Support du tuyau	Matériau d'isolation	Support de la télécommande
Quantité	1 EA	1 EA	8 EA	8 EA	1 EA	1 SET	1 EA
Forme					 Support du tuyau   Vis(M4) 2	 pour tuyau de gaz  pour tuyau de liquide	

# Description du produit

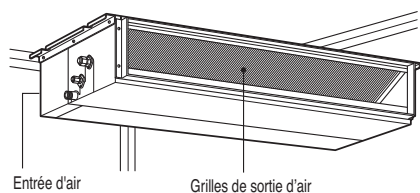
Voici une courte introduction des unités intérieure et extérieure. Veuillez lire les informations pertinentes concernant votre type d'unité intérieure.

## Unité intérieure

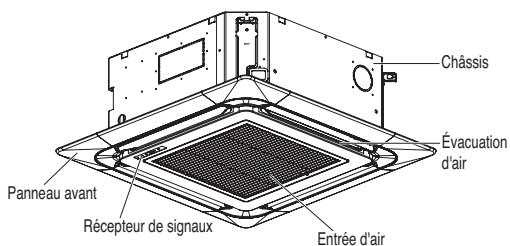
### [Wall-mounted Type]



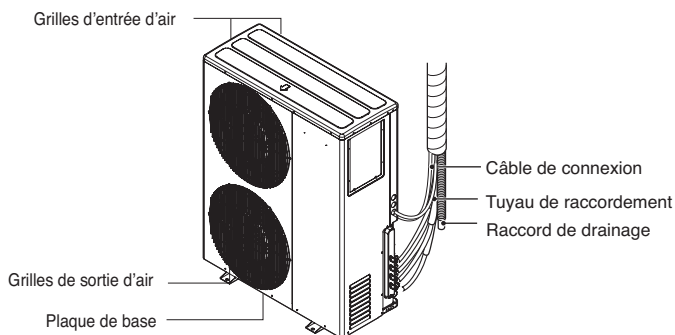
### [Climatiseur à conduit caché dans le plafond]



### [Type cassette plafond]



## Unité extérieure



\* Les illustrations/figurent utilisées peuvent ne pas correspondre au modèle.

# Mesures de sécurité



Les instructions ci-après doivent être observées dans le but de prévenir tout risque de dommages corporels ou matériels.

- Veillez à lire ce manuel avant d'installer le climatiseur.
- Veillez à observer les précautions spécifiées dans ce manuel, puisqu'elles incluent d'items importants concernant la sécurité.
- L'utilisation non conforme, résultant de la négligence des instructions, est susceptible de provoquer des dommages corporels ou matériels dont la gravité est signalée par les indications suivantes :

 **AVERTISSEMENT** Ce symbole indique un risque de blessure grave, voire mortelle.

 **ATTENTION** Ce symbole indique un risque de blessure ou des dommages matériels seulement.

- Les significations des symboles utilisés dans ce manuel sont indiquées ci-dessous.

	<b>Veillez à ne pas faire cela.</b>
	<b>Veillez à suivre les instructions de ce manuel.</b>

## AVERTISSEMENT

### ■ Installation

**Mettez toujours à terre le produit.**

- Autrement, vous risquez de provoquer un choc électrique.

**Assurez-vous que le cordon d'alimentation n'est pas dénudé ni abîmé d'une quelconque façon.**

- Autrement, vous risquez de causer un incendie ou un choc électrique.

**Contactez votre service après-vente ou un installateur qualifié pour installer cet appareil.**

- Autrement, vous risquez de provoquer un incendie, un choc électrique, une explosion ou des blessures.

**Fixez correctement le couvercle de protection des pièces électriques à l'unité intérieure et le panneau de service à l'unité extérieure.**

- Si le couvercle de protection des pièces électriques de l'unité intérieure et le panneau de service de l'unité extérieure ne sont pas bien fixés, cela peut provoquer un incendie ou un choc électrique dus à la poussière, à l'eau, etc.

**Veillez à ce qu'un disjoncteur dédié soit installé, ainsi qu'un interrupteur électrique indépendant.**

- Ne pas le faire peut provoquer un incendie ou un choc électrique.

**Ne rangez ni n'utilisez de gaz inflammable ni de combustibles près du climatiseur.**

- Autrement, vous risquez de provoquer un incendie ou le mauvais fonctionnement de l'appareil.

**Vérifiez que l'unité extérieure n'est pas endommagée avant de procéder à son installation.**

- Cela peut provoquer des blessures ou un accident.

**Ne réparez pas cet appareil si vous n'êtes pas un prestataire agréé.**

- Cela peut provoquer un incendie ou un choc électrique.

**Utilisez une pompe à vide ou un gaz Inerte (azote) lorsque vous faites des essais de fuite ou la purge d'air. N'utilisez pas d'oxygène, d'air comprimé ou d'autres gaz susceptibles d'être inflammables ou nocifs. Il existe un risque d'incendie, d'explosion, de blessure ou de décès.**

- Risque de décès, de blessure, d'incendie ou d'explosion.

**Assurez-vous que le système est correctement fixé une fois l'installation terminée.**

- Autrement, vous risquez de blesser quelqu'un.

**Soyez prudent pendant le déballage et l'installation.**

- Les bords aiguisés peuvent provoquer des blessures.

## ■ Fonctionnement

**Veillez à ce que le système soit installé sur un circuit dédié.**

- Cela peut provoquer un choc électrique ou un incendie à cause de la génération de chaleur.

**N'utilisez pas un cordon d'alimentation endommagé.**

- Vous risquez de provoquer un incendie ou un choc électrique.

**Ne modifiez pas le cordon d'alimentation sans l'assistance d'un professionnel qualifié.**

- Autrement, vous risquez de provoquer un incendie ou un choc électrique.

**Vérifiez que le cordon d'alimentation est bien branché et ne peut pas se défaire.**

- Autrement, vous risquez de provoquer un incendie ou un choc électrique.

**Débranchez l'unité si vous constatez la présence de bruits étranges, d'odeurs ou de fumée provenant de l'appareil.**

- Autrement, vous risquez de provoquer un incendie ou un choc électrique.

**L'unité doit être installée à l'écart de toute source de chaleur.**

- Autrement, vous risquez de provoquer un incendie.

**N'utilisez pas le cordon d'alimentation près des dispositifs de chauffage.**

- Autrement, vous risquez de provoquer un incendie ou un choc électrique.

**N'ouvrez pas l'ouverture d'aspiration de l'unité intérieure/extérieure en cours de fonctionnement.**

- Autrement, vous risquez de provoquer un choc électrique ou un mauvais fonctionnement.

**En cas d'inondation, coupez l'alimentation et appelez votre service après-vente.**

- Autrement, vous risquez de provoquer le mauvais fonctionnement de l'appareil ou un choc électrique.

**Prenez la fiche d'alimentation par la tète lorsque vous la débranchez.**

- Cela peut provoquer un choc électrique ou des dommages.

**Ne touchez jamais les pièces métalliques de l'unité lorsque vous retirez le filtre.**

- Elles sont aiguisées et peuvent provoquer des blessures.

**N'utilisez pas l'appareil en tant que marchepied ou étagère.**

- Autrement, vous risquez de vous blesser en tombant de l'appareil.

**Ne placez pas d'objet lourd sur le cordon d'alimentation.**

- Autrement, vous risquez de provoquer un incendie ou un choc électrique.

**Contactez le service après-vente si le produit est submergé dans l'eau.**

- Autrement, vous risquez de causer un incendie ou un choc électrique.

**Veillez à ce que les enfants ne montent pas sur l'unité extérieure.**

- Autrement, ils risquent d'être sérieusement blessés en tombant.

## ATTENTION

### ■ Installation

**Veillez à ce que le tuyau d'évacuation soit bien fixé.**

- Autrement, vous risquez de causer une fuite d'eau.

**Vérifiez tous les raccords pour vous assurer qu'il n'y a pas de fuite. Si toutefois vous détectez une fuite, procédez aux réparations qui s'imposent.**

- Autrement, vous risquez de causer le mauvais fonctionnement de l'appareil.

**Installez l'appareil à un endroit où le bruit et la chaleur qu'il génère ne risquent pas de gêner les voisins.**

- Autrement, vous risquez de susciter des querelles avec les voisins.

**Assurez-vous que l'appareil est de niveau pendant l'installation.**

- Autrement, vous risquez de provoquer des vibrations ou une fuite d'eau.

### ■ Fonctionnement

**Évitez le refroidissement excessif et aérez parfois.**

- Autrement, vous risquez de nuire à votre santé.

**Utilisez un tissu doux pour nettoyer l'appareil. N'employez ni de cire, ni de diluant ni de détergent fort.**

- Autrement, vous risquez de détériorer l'aspect de l'appareil, changer sa couleur ou provoquer des défauts sur sa surface.

**N'utilisez pas le produit à des buts particuliers, tels que la préservation d'animaux, de plantes, de dispositifs de précision ou d'objets d'art, etc.**

- Autrement, vous risquez d'endommager vos biens.

**N'obstruez pas l'entrée ou la sortie du flux d'air et ne gênez pas la circulation de l'air.**

- Autrement, vous risquez de provoquer le mauvais fonctionnement de l'appareil ou un accident.



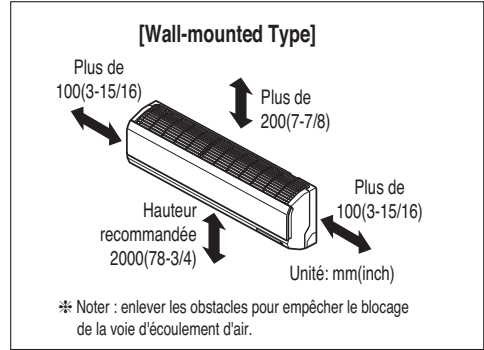
# Installation de l'unité intérieure et de l'unité extérieure

Lisez au complet et suivez toutes les indications.

## Choix du meilleur emplacement

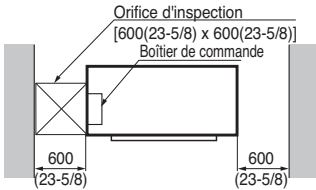
### Unité intérieure

1. Ne permettez pas la présence de chaleur ou vapeur près de l'unité.
2. Choisissez un endroit où il n'y ait pas d'obstacles devant l'unité.
3. Assurez-vous que le drainage de l'eau condensée soit dirigé convenablement vers l'extérieur.
4. Ne l'installez pas près d'une porte.
5. Assurez-vous que les espaces indiqués par des flèches, séparant l'unité du mur, du plafond, de la cloison et d'autres obstacles, soient suffisants.
6. Utilisez un détecteur de longrine pour trouver les longrines et éviter ainsi d'endommager le mur.

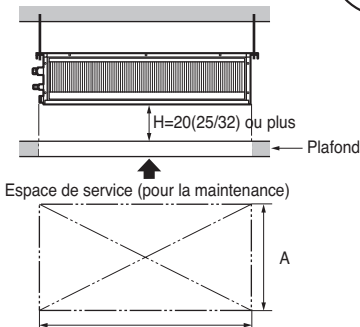


### [Climatiseur à conduit caché dans le plafond]

#### Vue du haut



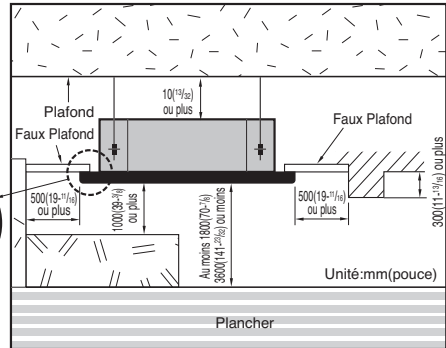
#### Vue du front



\* La hauteur "H" doit respecter la distance appropriée de manière à obtenir une pente qui permette le drainage, tel que montré dans la figure.

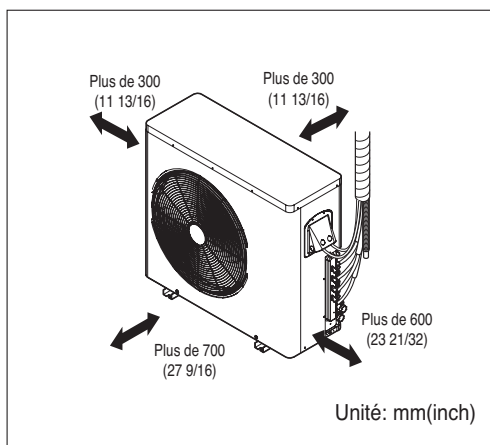
Capacité(Btu/h classe)	A	B
9/12k	600(23-5/8)	900(35-7/16)
18k	600(23-5/8)	1100(43-5/16)

### [Type cassette plafond]



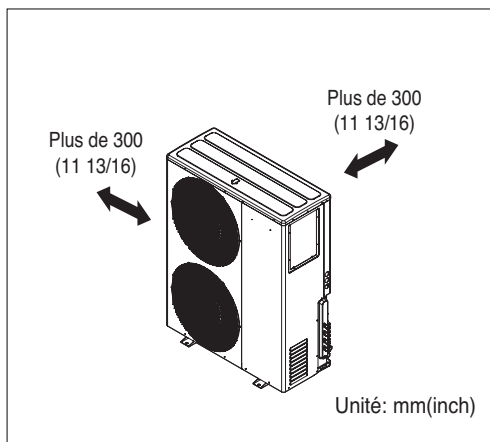
## Unité extérieure

1. Si une bâche est construite au dessus de l'unité pour éviter l'exposition directe au soleil ou à la pluie, assurez-vous que la radiation de chaleur du condenseur ne se voit pas limitée.
2. Assurez-vous que les espaces, indiqués par des flèches, autour du front, de la partie arrière et des latéraux de l'unité soient suffisants.
3. Ne placez d'animaux ni de plantes dans la direction du flux d'air chaud.
4. Tenez en compte le poids du climatiseur et choisissez un endroit où le bruit et la vibration soient réduits au minimum.
5. Choisissez un endroit où le flux d'air chaud et le bruit du climatiseur ne dérangent pas vos voisins.



## Installations sur le toit:

Si l'unité extérieure est installée sur la structure du toit, assurez-vous de mettre à niveau l'unité. Assurez-vous que la structure du toit et la méthode d'ancrage soient appropriées pour l'emplacement de l'unité. Consultez les codes locaux concernant le montage du toit.



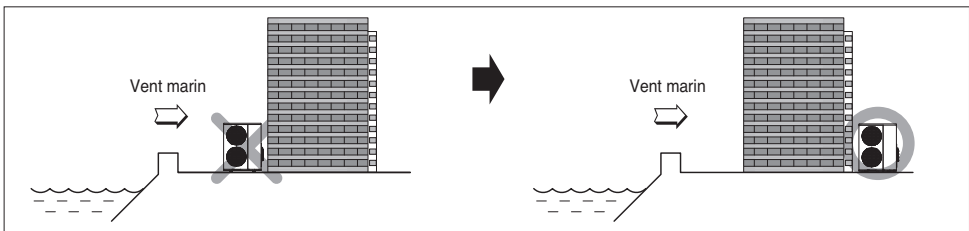
## Guide d'installation en bord de mer

### **ATTENTION**

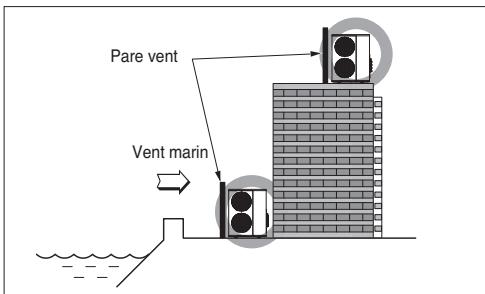
1. Les climatiseurs ne devraient pas être installés dans des endroits où sont produits des gaz corrosifs tels que les gaz acides ou alcalins.
2. Ne pas installer le produit dans un emplacement directement exposé au vent marin (embruns salés). Cela peut provoquer la corrosion du produit. La corrosion, tout particulièrement au niveau du condensateur et des serpentins de l'évaporateur, pourrait provoquer un fonctionnement inadapté ou inefficace.
3. Si l'unité extérieure est installée à proximité du bord de mer, évitez toute exposition directe au vent marin. Autrement l'appareil va nécessiter un traitement anti-corrosion supplémentaire au niveau de l'échangeur de chaleur.

### 1. Sélection de l'emplacement (Unité Extérieure)

- 1) Si l'unité intérieure doit être installée à proximité du bord de mer, évitez toute exposition directe au vent marin. Installez l'appareil du côté opposé du sens du vent.



- 2) Si vous installez l'unité extérieure à proximité du bord de mer, installez un pare vent pour la protéger.



- Doit être suffisamment solide, comme du béton, pour résister au vent.
- Les dimensions doivent être environ 1,5 fois plus grandes que celles de l'unité (150%).
- Respectez au minimum 70cm(27 1/16 inches) entre l'unité et le pare vent pour la circulation de l'air.

- 3) Sélectionnez un emplacement bien ventilé.

1. Si vous ne pouvez pas respecter les consignes ci-dessus, veuillez contacter LG Electronics pour un traitement anti-corrosion supplémentaire.
2. Faites un nettoyage périodique (plus d'une fois par an) de la poussière et du sel collés sur l'échangeur de chaleur en utilisant de l'eau.

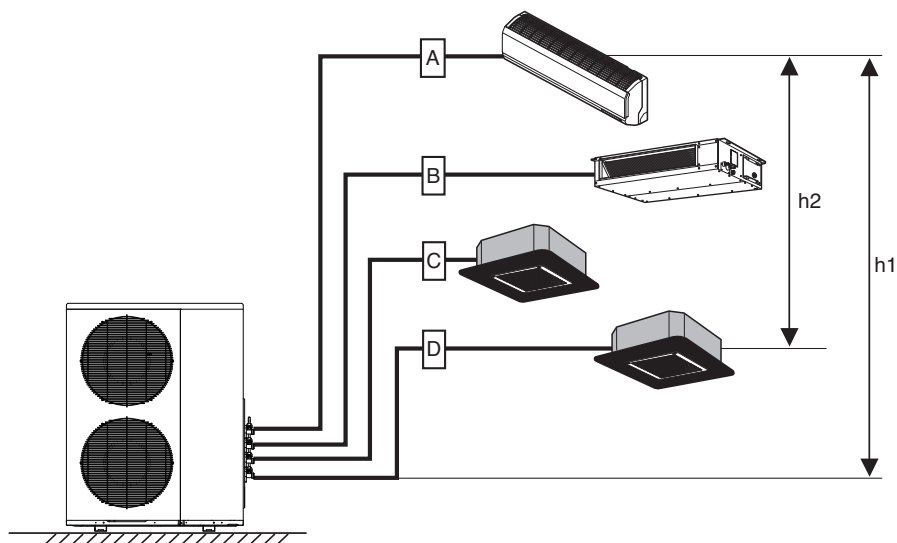
## Élévation et longueur de la tuyauterie

### Type Tuyauterie Multiple

Unité: m(ft)

Unité extérieure Capacité (Btu/h classe)	Longueur maximale totale de tous les tuyaux (A+B)/(A+B+C)/(A+B+C+D)	Longueur maximale de chaque tuyau (A/B/C/D)	Longueur minimale de chaque tuyau (A/B/C/D)	Élévation maximale entre chaque unité intérieure et chaque unité extérieure (h1)	Élévation maximale entre les unités intérieures (h2)	Combinaison maximale des unités intérieures (Btu/h classe)
24k	75(246)	25(82)	3(10)	15(49)	7.5(25)	18k
36k	75(246)	25(82)	3(10)	15(49)	7.5(25)	18k

Capacité intérieure (Btu/h classe)	Dimension des tuyaux Unité : mm(inch)		Longueur standard Unité: m(ft)	Réfrigérant additionnel Unité : g/m(oz/ft)
	Gaz	Liquide		
9k	9.52(3/8)	6.35(1/4)	7.5(25)	20(0.22)
12k	9.52(3/8)	6.35(1/4)	7.5(25)	20(0.22)
18k	12.7(1/2)	6.35(1/4)	7.5(25)	20(0.22)



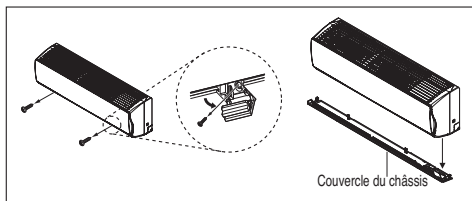
**ATTENTION:** La capacité est basée sur la longueur standard. La longueur maximale permise est basée sur la fiabilité.

# Installation

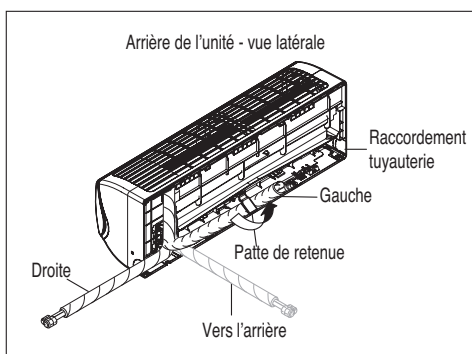
[Wall-mounted Type]

## Raccordement de la tuyauterie

1. Retirez le cache de vis en bas de l'unité intérieure.
2. Retirez le couvercle du châssis de l'unité en desserrant les vis.

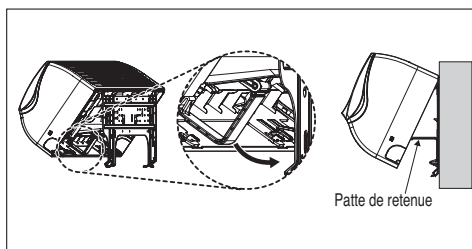
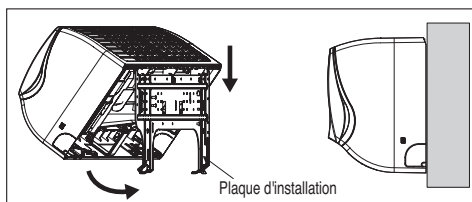


3. Retirez la patte de retenue de la tuyauterie.
4. Enlevez le système de bouchage et positionnez la tuyauterie.



### 5. Installation de l'unité intérieure

- 1) Accrochez l'unité intérieure à la partie supérieure de la plaque d'installation. (Engagez les trois crochets situés en haut de l'unité intérieure sur le bord supérieur de la plaque d'installation.) Vérifiez que les crochets sont bien en place sur la plaque d'installation en bougeant latéralement l'unité.
- 2) Débloquez la patte de retenue du châssis et insérez-la entre le châssis et la plaque d'installation afin de séparer du mur la partie basse de l'unité intérieure.

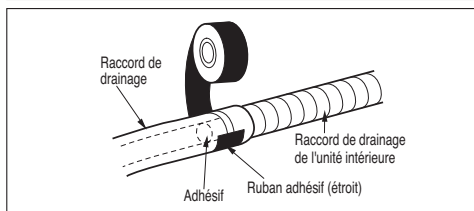
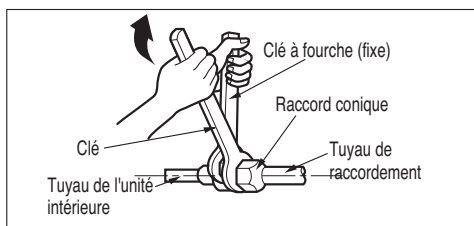
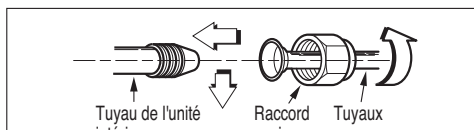


### Raccorder la tuyauterie à l'unité intérieure et le raccord de drainage au tuyau de drainage

1. Alignez le centre des tuyaux et serrez suffisamment le raccord conique à la main.
2. Serrez encore plus le raccord conique à l'aide d'une clé.

Diamètre extérieur		Torque
mm	inchs	kgf.m (lb-ft)
Ø6.35	1/4	1.8~2.5 (13~18)
Ø9.52	3/8	3.4~4.2 (24~30)
Ø12.7	1/2	5.5~6.6 (40~48)

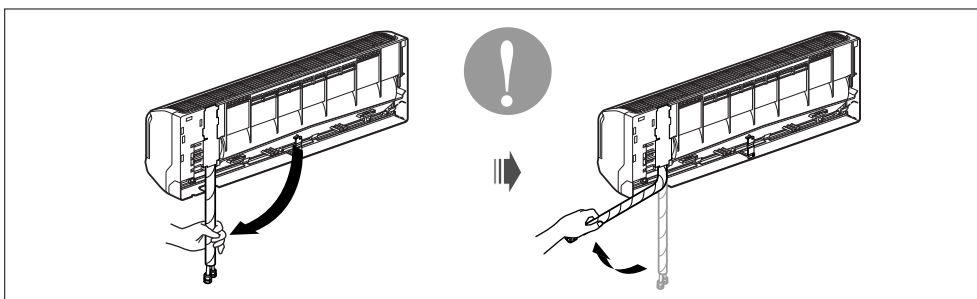
3. Lorsque vous placez le raccord de drainage dans l'unité interne, installez le tuyau de drainage.



### ⚠ ATTENTION

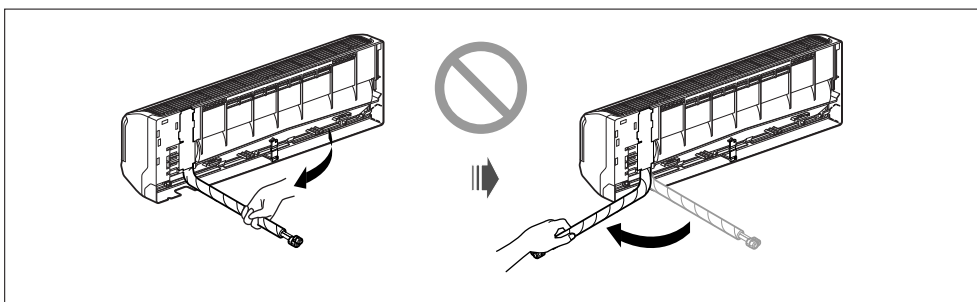
Information concernant l'installation Pour la tuyauterie gauche. Suivez les instructions ci-dessous.  
**Bon exemple**

- Appuyez sur la partie supérieure de la bride et déployez doucement les tuyaux vers le bas.



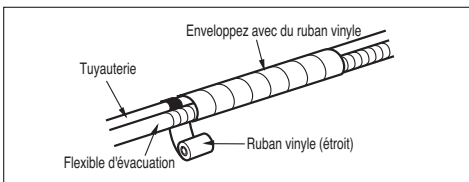
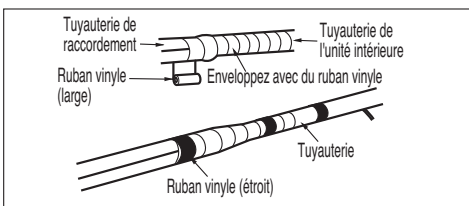
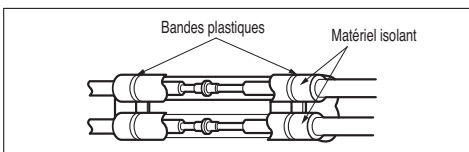
### Mauvais exemple

- Plier les tuyaux de gauche à droite, comme montré ci-après, risque d'endommager le tuyau.



### Envelopper la zone de raccordement avec du matériel isolant.

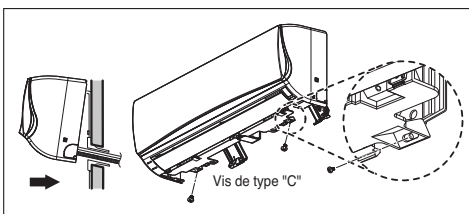
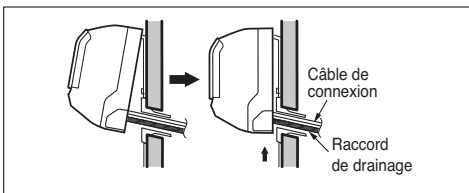
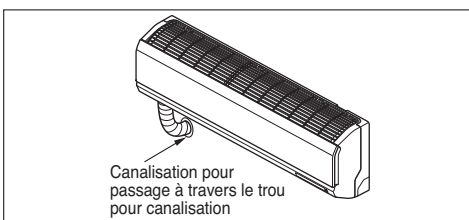
1. Superposez l'isolant thermique du tuyau de raccordement et celui du tuyau de l'unité intérieure. Reliez-les ensemble avec du ruban adhésif pour qu'il ne reste aucun espace vide entre eux.
2. Enveloppez avec du ruban adhésif la zone où se trouve la tuyauterie arrière.
3. Reliez la tuyauterie et le raccord de drainage avec du ruban adhésif de telle sorte qu'ils puissent s'encastrer dans la zone de la tuyauterie arrière.



### Réorientez les tuyaux et le raccord de drainage tout au long de la partie arrière du boîtier.

### Finaliser l'installation de l'unité intérieure

1. Remettez la patte de retenue des tuyauteries en place.
2. Assurez-vous que les crochets sont bien en place sur la plaque d'installation en bougeant latéralement l'unité.
3. Poussez l'unité contre la plaque d'installation en appuyant sur les côtés droit et gauche jusqu'à ce que les crochets soient entièrement enclenchés dans les encoches prévues (vous devez entendre un clic).
4. Terminez le montage en vissant l'unité à la plaque d'installation à l'aide de deux vis de type "C". Remettez le capot du châssis en place.



## ⚠ ATTENTION

Si l'unité intérieure de type split est installée dans un mur ayant un trou ou ayant une ouverture à proximité ou à l'arrière de l'unité, alors l'air en provenance de l'autre côté du mur peut passer à l'intérieur de l'aire de climatisation à travers ce trou/ ouverture. Cet air peut provoquer la formation de gouttelettes d'eau/ rosée indésirables quand il entre en contact avec l'unité intérieure. Ainsi tout trou ou ouverture du mur doit être bien fermé pour éviter un écoulement d'eau à partir de la coque de l'appareil.

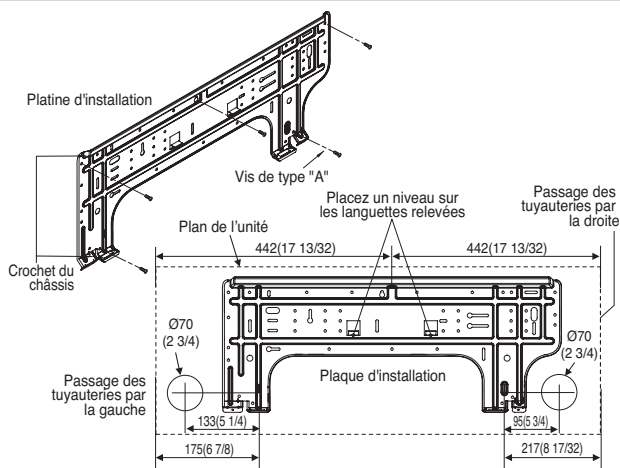
## How to mount

Choisissez un mur suffisamment solide afin d'éviter les problèmes de vibrations.

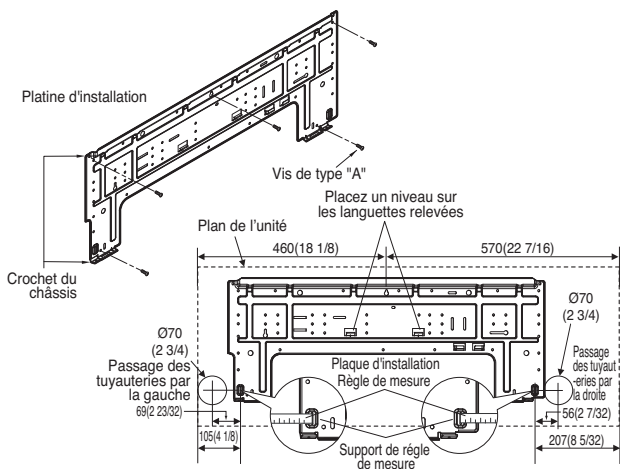
- Fixez la platine d'installation sur le mur à l'aide des vis de type "A". En cas d'installation de l'appareil sur un mur en béton, utilisez des boulons d'ancrage.
  - Montez la platine d'installation en veillant à ce qu'elle soit bien horizontale, en vous repérant sur la ligne centrale et en utilisant un niveau.
- Mesurez et tracez l'emplacement de la ligne centrale sur le mur. Il est important de bien choisir l'emplacement de la platine d'installation, afin d'éviter d'endommager l'installation électrique. En effet, les fils arrivant aux prises secteur passent généralement dans les murs. Le perçage des murs pour faire passer les tuyaux doit également être effectué avec précaution.

Type intérieur	Capacité en (kBtu/h)	Type
Wall-mounted Type	9/12	Type 1
	18	Type 2

### <Type 1>




### <Type 2>





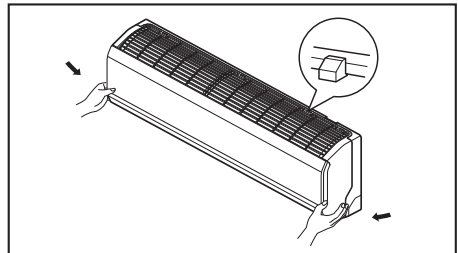
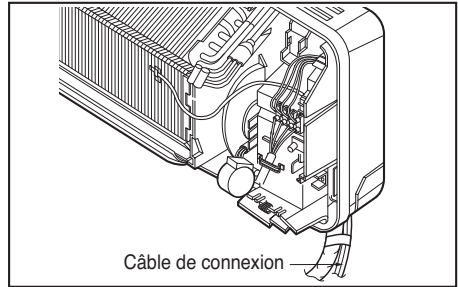
## Connexion du câblage

- Raccordez les câbles aux bornes du panneau de commande un à un suivant la connexion de l'unité extérieure.
  - Assurez-vous que la couleur des câbles de l'unité extérieure et les numéros des bornes soient les mêmes que ceux de l'unité intérieure.

Plaque à Bornes interne				
1(L1)	2(L2)		3	4

Raccordez de l'unité extérieure

- Fixez la grille au boîtier.
  - Prenez la partie inférieure gauche et droite de la grille et introduisez les quatre languettes de la partie supérieure dans le châssis.
  - Poussez la grille contre le châssis pour la remettre en position.

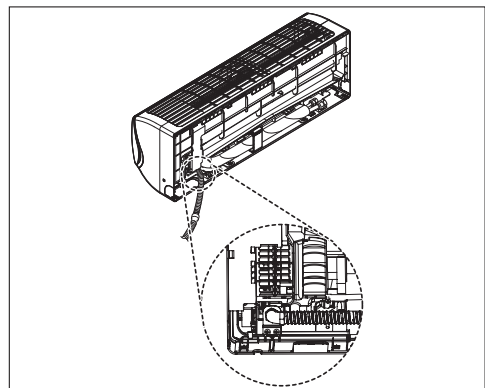
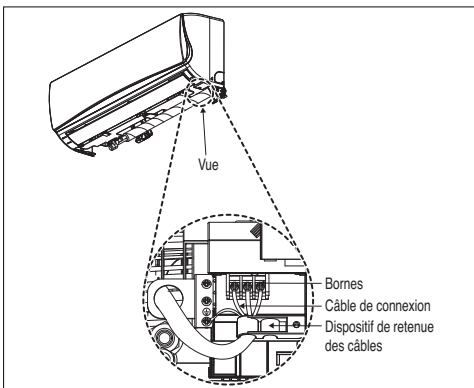
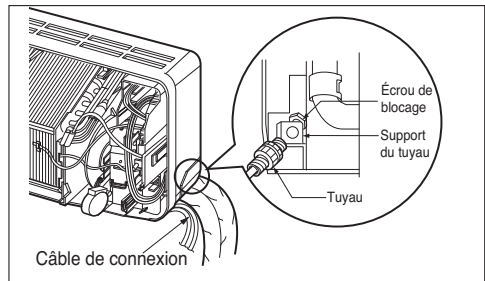
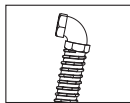


## Raccordement du tuyau

- Assemblez le tuyau et le support de tuyau à l'aide de l'écrou.
- Placez le câble de raccordement dans le bornier de l'unité intérieure, et serrez la vis de réglage pour verrouiller le support de tuyau sur l'unité intérieure.



**ATTENTION :** Utilisez le conduit équipé d'un coude (en forme de L).



[Climatiseur à conduit caché dans le plafond]

**Dimension du plafond et emplacement des fixations**

**Installation de l'unité**

Installer l'unité correctement en haut du plafond.

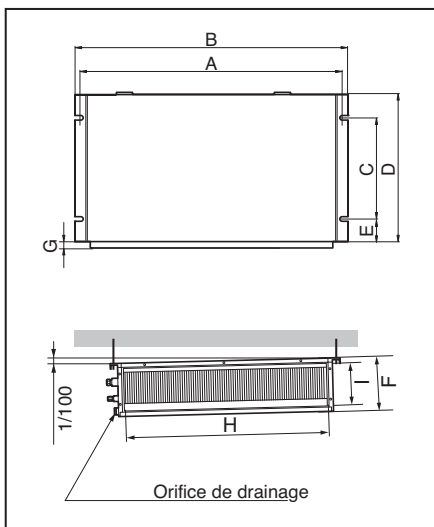
**CASE 1**

**POSITION DES ECROUS DE FIXATIONS**

- Placer un joint de toile entre l'unité et les fixations pour amortir les vibrations indésirables.
- Placer un accessoire filtrant sur l'orifice de retour d'air.

Unidad: mm(pouce)

Dimension	A	B	C	D	E	F	G	H	I
Capacity Btu/h class									
12k	650 (33 15/32)	900 (35 15/32)	393 (15 3/32)	570 (22 7/16)	93.5 (3 11/16)	190 (7 1/2)	20.6 (13/16)	795 (31 5/16)	163 (6 13/32)
18k	1130 (44 1/2)	1180 (46 1/2)	393 (15 3/32)	570 (22 7/16)	93.5 (3 11/16)	190 (7 1/2)	20.6 (13/16)	1065 (41 15/16)	163 (6 13/32)

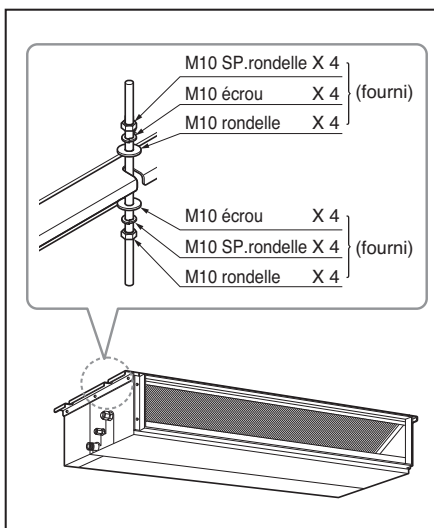


**CASE 2**

- Pour un drainage efficace de l'eau, installez l'unité en position légèrement oblique, l'orifice de drainage devant être le point le plus bas par rapport au centre de gravité de l'unité.

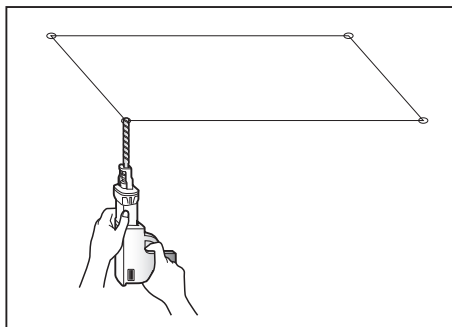
**POSITION DES ECROUS DU BOITIER**

- La surface doit être à niveau et doit pouvoir supporter le poids de l'unité.
- L'unité doit être montée dans un emplacement où elle devra résister aux vibrations liées à son fonctionnement.
- Il faudra aménager un espace pour les opérations de maintenance/entretien.

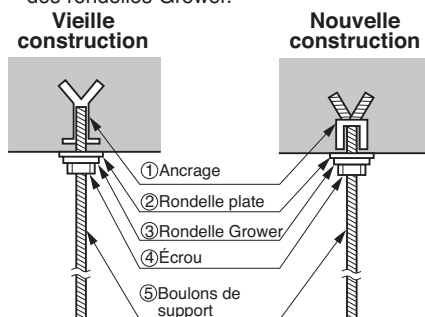


## Wall-mounted Type

- Choisissez et marquez la position des boulons de fixation.
- Percez le trou d'ancrage au plafond.



- Insérez l'élément d'ancrage et la rondelle dans les boulons de support pour fixer les boulons de support au plafond.
- Serrez fortement les boulons de support à l'élément d'ancrage.
- Fixez les plaques d'installation aux boulons de support (réglez grosso modo le niveau) à l'aide des écrous, des rondelles plates et des rondelles Grower.



**ATTENTION: Serrez l'écrou et la vis pour éviter la chute de l'unité.**

## Raccordement des câbles entre l'unité intérieure

Raccordez les câbles individuellement aux bornes dans le panneau de commande, de la même façon que vous avez fait avec l'unité extérieure.

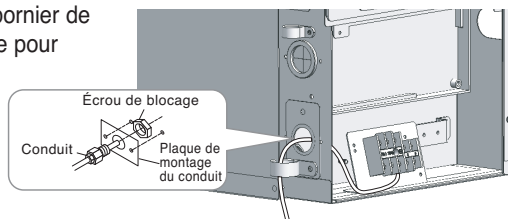
- Assurez-vous que la couleur des câbles de l'unité extérieure et le numéro du borne soient les mêmes, de la même façon que vous avez fait avec l'unité intérieure.

Plaque à Bornes interne			
1(L1)	2(L2)	⊖	3

↑ ↑ ↑ ↑  
CONNEXION EXTÉRIEURE

## Raccordement du tuyau

1. Enlevez la pièce manchonnée en caoutchouc de qui se trouve sur l'unité intérieure.
2. Assemblez le tuyau et le support de tuyau à l'aide de l'écrou.
3. Placez le câble de raccordement dans le bornier de l'unité intérieure, et serrez la vis de réglage pour verrouiller le support de tuyau sur l'unité intérieure.

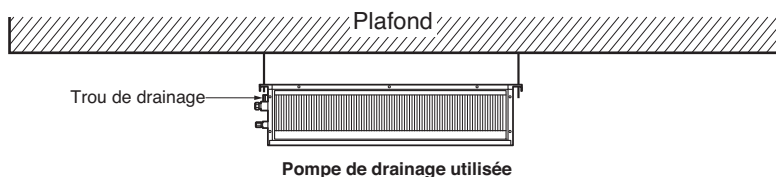


## ATTENTION

1. L'installation en pente de l'unité intérieure est très importante pour le drainage du climatiseur du type conduit.
2. L'épaisseur minimale de l'isolation pour le tuyau de connexion devra être de 19mm (1/32 inch).

### Vue du front

- L'unité doit être horizontalement ou inclinée vers le raccord de drainage à la fin de l'installation.



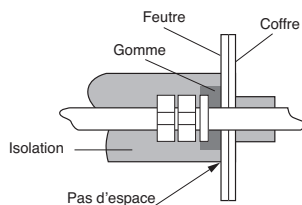
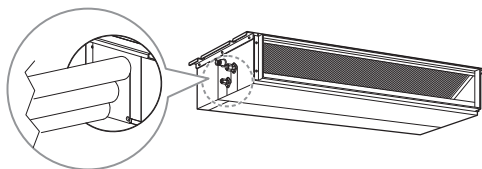
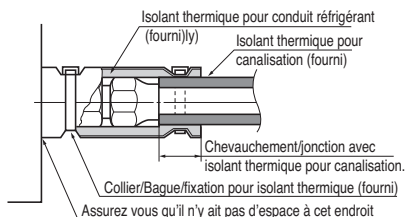
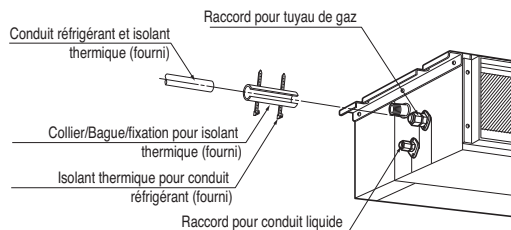
## ISOLATION, AUTRES

Isolez complètement les joints et les conduits.

### ISOLATION THERMIQUE

Toute isolation thermique doit respecter les réglementations locales.

#### Unité d'intérieur



### TEST ET VERIFICATION

#### ■ Une fois le travail terminé, contrôlez le bon fonctionnement de l'appareil.

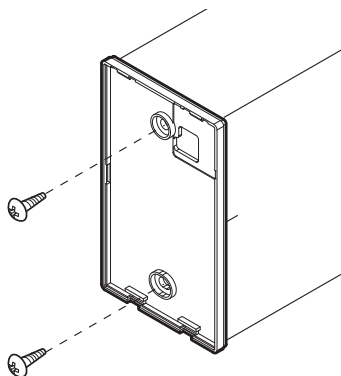
- Distribution de l'air .....La circulation de l'air est-elle correcte ?
- Drain .....Le drainage est-il régulier et y a-t-il des fuites ?
- Fuite de gaz .....Les jointures sont elles correctes ?
- Raccord .....Les raccordements sont-ils corrects ?
- Serrage des écrous .....Le serrage des écrous du compresseur présente t-il du jeu?
- Isolation ..... L'appareil est-il entièrement isolé ?
- Mise à la terre ..... L'appareil a-t'il été mis à la terre ?

## Instructions d'installation

**Serrez fermement la vis fournie après avoir placé le boîtier d'installation du dispositif de régulation à distance à l'emplacement souhaité.**

- Installez-le de sorte à ce qu'il ne se torde pas car sinon cela pourrait entraîner une mauvaise installation.

Installez le boîtier du dispositif de régulation à distance sur le boîtier d'encastrement, le cas échéant.



**Vous pouvez installer le câble du dispositif de régulation à distance fliaire selon trois directions.**

- Direction d'installation : vers la surface du mur, vers le haut, vers la droite

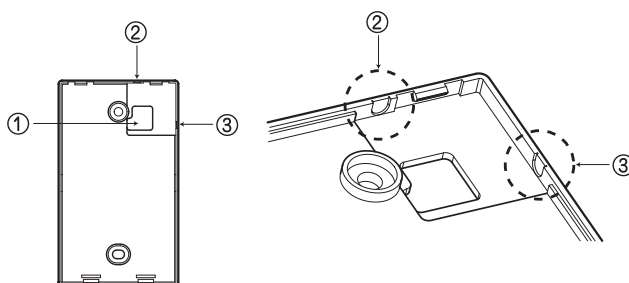
- Si vous installez le câble du dispositif de régulation à distance vers le haut et vers la droite, veuillez le faire après avoir retiré la rainure guide de câble du dispositif de régulation à distance.

\* Retirez la rainure guide avec la pince à long bec.

① Vers la surface du mur

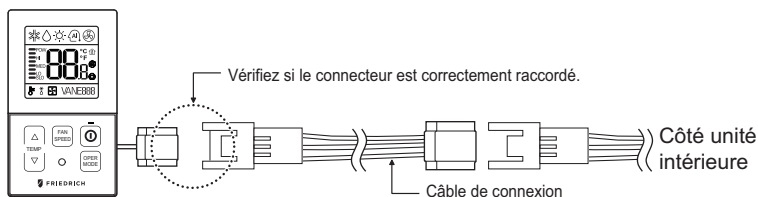
② Rainure guide de la partie supérieure

③ Rainure guide de la partie droite



<Rainures guide des fils>

## Raccordez l'unité intérieure et le dispositif de régulation à distance à l'aide du câble de connexion.

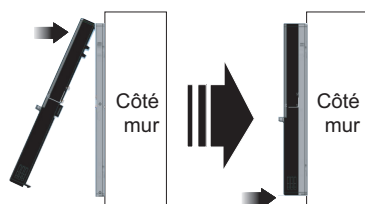


Utilisez un câble d'extension si la distance comprise entre le dispositif de régulation à distance filaire et l'unité intérieure est supérieure à 10 m.

Fixez la partie supérieure du dispositif de régulation à distance sur le boîtier d'installation fixé à la surface du mur, comme illustré ci-dessous, puis raccordez-le au boîtier d'installation en appuyant sur la partie inférieure.

- Lors de la jointure, veillez à ne pas avoir d'espace au niveau des parties supérieure, inférieure, droite et gauche du dispositif de régulation à distance et du support d'installation.

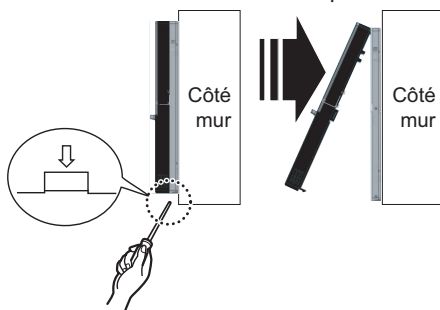
<Procédure de connexion>



Pour détacher le dispositif de régulation à distance du boîtier d'installation, comme illustré ci-dessous, insérez d'abord le tournevis dans le trou de séparation inférieur, puis tournez dans le sens des aiguilles d'une montre, le dispositif de régulation à distance est séparé.

- Il existe deux trous de séparation. Utilisez-les individuellement.  
- Veillez à ne pas endommager les composants intérieurs lors de la séparation.

<Procédure de séparation>



### ATTENTION :

Lorsque vous installez le dispositif de régulation à distance filaire, ne l'encastrez pas dans le mur. (cela risque d'endommager le capteur de température.)

N'installez pas le câble sur une distance de 50 m ou plus.

(Cela risque de causer des erreurs de communication.)

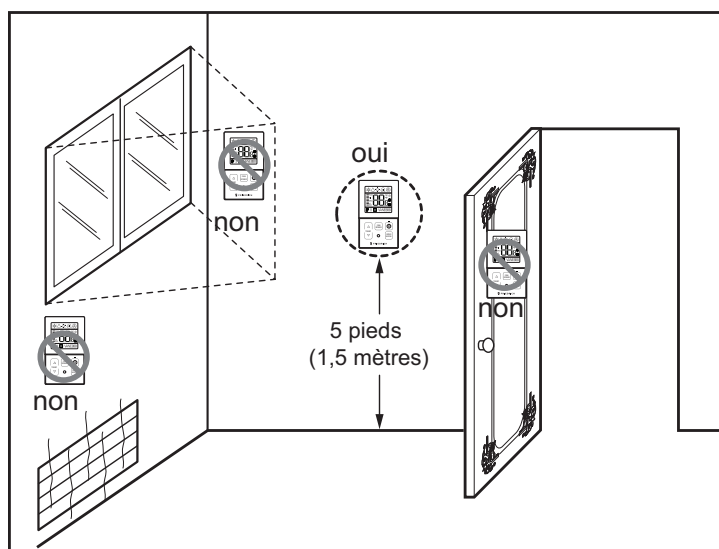
- Lors de l'installation du câble d'extension, vérifiez que le sens de connexion du connecteur est correct côté dispositif de régulation à distance et côté appareil.
- Si vous installez le câble d'extension dans le mauvais sens, la connexion du connecteur ne s'effectue pas.
- Spécification du câble d'extension : 2547 1007 22# 2 conducteur 3 blindé 5 ou supérieur.
- Utiliser un conduit non combustible complètement blindé tel que spécifié par le code de construction local imposant l'utilisation de câble pour vide technique.

## Wired Installation télécommande

Puisque la sonde de température ambiante se trouve sur la télécommande, le boîtier de télécommande doit pas être installé dans un endroit exposé à la lumière directe du soleil, à une humidité élevée et dans une source d'air froid pour maintenir la température adaptée de l'espace. Installez la télécommande à environ 5 pieds (1,5 m) au-dessus du sol dans une zone pourvue d'une bonne circulation d'air à une température moyenne.

### Ne pas installer la télécommande là où elle peut être affectée par :

- Angles morts derrière des portes et dans les coins.
- Air chaud ou froid provenant de conduits.
- Chaleur rayonnante du soleil ou d'appareils.
- Tuyaux et cheminées encastrées.
- Zone non contrôlées tels qu'un mur extérieur derrière la télécommande.
- Cette télécommande est équipée d'un afficheur DEL à 7 segments. Pour un affichage adapté de la diode de la télécommande, celle-ci doit être installée correctement suivant les indications de la figure 1, (la hauteur standard est de 4~5 pieds(1,2 à 1,5 m) depuis le niveau du sol).

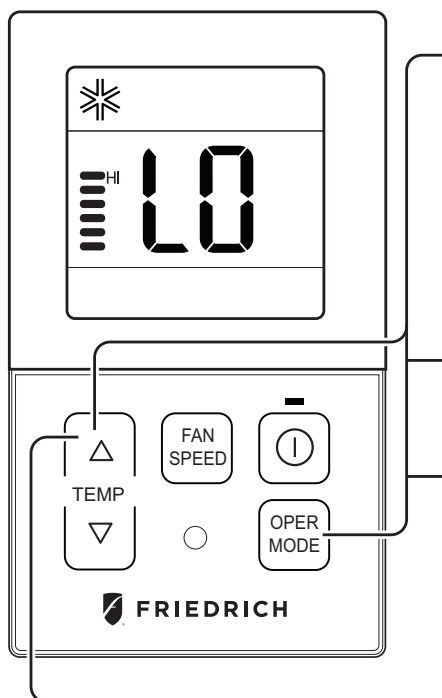


[Fig.1]

## Réglage d'installation – Mode test de fonctionnement

Réglage d'installation - Mode test de fonctionnement

Vous devez exécuter un mode Test de fonctionnement après avoir installé le produit.



- 1** Si vous appuyez sur les touches et en même temps pendant plus de 3 secondes, le système passe en mode Réglage d'installation.

  - Une fois passé en mode Réglage d'installation, appuyez sur la touche pour sélectionner la valeur du code du mode Test de fonctionnement.

\* Valeur du code du mode Test de fonctionnement: 01
- 2** Lorsque vous appuyez sur la touche , le test du mode opération est exécuté et affiché comme illustré sur la figure de gauche.
- 3** Une fois le réglage terminé, appuyez sur les touches et en même temps pendant plus de 3 secondes pour quitter le mode Réglage.

  - Si vous n'effectuez aucune entrée avec les touches pendant plus de 25 secondes, vous quittez également le mode Réglage d'installation.
- 4** Approximativement 18 minutes après le démarrage du test du mode opération, le système doit s'arrêter automatiquement et repasser à l'état de veille.

  - Si vous n'avez effectué aucune entrée sur l'une des touches pendant le mode Test de fonctionnement, le dispositif se voit alors contraint d'abandonner ce mode.

- En quoi le mode Test de fonctionnement consiste-t-il ?
  - Cela signifie que le produit fonctionne en mode froid, ventilation forte et à l'état Comp ON sans effectuer de contrôle de température de la pièce. Il permet de confirmer l'état du produit installé lors de l'installation du produit.



## Réglage d'installation - Thermistance

Cette fonction permet de sélectionner la sonde de température pour la mesure de la température de la pièce.

**1** Si vous appuyez sur les touches et en même temps pendant plus de 3 secondes, le système passe en mode Réglage d'installation.

- Une fois en mode Réglage d'installation, appuyez sur la touche pour sélectionner la valeur du code de réglage de la thermistance.

\* Valeur du code de sélection de la thermistance : 04

**2** Sélectionnez la valeur de réglage désirée à l'aide de la touche haut () ou bas () .

— Valeur du code — Valeur

\*Valeur de réglage  
01: Dispositif de régulation à distance  
02: Unité intérieure  
03: 2TH

**3** Si vous appuyez sur la touche , l'emplacement de la thermistance actuellement établie est configuré.

**4** Une fois le réglage terminé, si vous appuyez sur les touches et en même temps pendant plus de 3 secondes, vous quittez le mode Réglage.

- Si vous n'effectuez aucune entrée avec les touches pendant plus de 25 secondes, vous quittez également le mode Réglage d'installation.

• Puisque la caractéristique de la fonction '2TH' peut être différente selon les produits, pour plus d'informations, reportez-vous au mode d'emploi de ces produits.

## Réglage d'installation - Configurazione Gruppo

Il s'agit d'une fonction permettant des réglages en commande de groupe ou de 2 dispositifs de régulation à distance..

**1** Appuyez sur les touches et en même temps pendant plus de 3 secondes pour que le système passe en mode Réglage d'installation.  
- Une fois en mode Réglage d'installation, appuyez sur la touche 'mode-oper' pour sélectionner la valeur du code de réglage de pression statique.  
\* Valeur du code de réglage maître/esclave du dispositif de régulation à distance : 07

**2** Sélectionnez la valeur de réglage désirée à l'aide de la touche haut () ou bas ()  
 \*Valeur de réglage  
00:Esclave  
01:Maître  
Valeur du code  
Valeur

**3** Si vous appuyez sur la touche , la valeur de pression statique actuellement établie est configurée.

**4** Une fois le réglage terminé, appuyez sur les touches et en même temps pendant plus de 3 secondes pour quitter le mode Réglage.  
- Si vous n'effectuez aucune entrée avec les touches pendant plus de 25 secondes, vous quittez également le mode Réglage d'installation.

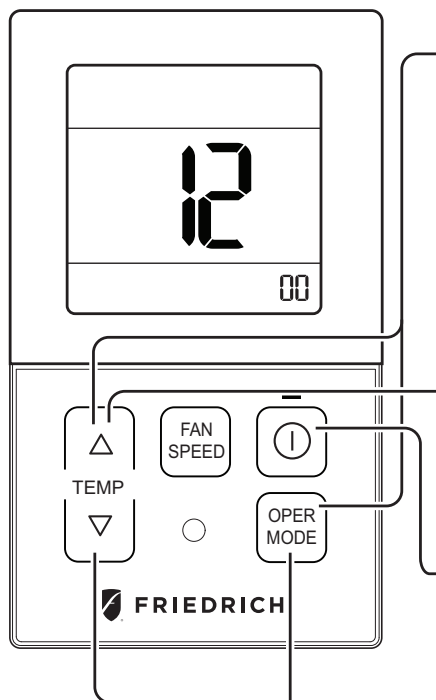
Dispositif de régulation à distance	Fonction
Maître	L'unité intérieure fonctionne en se basant sur le dispositif de régulation à distance maître au niveau de la commande de groupe. (Le réglage est défini sur Maître lorsque la livraison vient de l'entrepôt.)
Esclave	Configurez tous les dispositifs de régulation à distance sur Esclave, sauf un dispositif de régulation à distance maître, au niveau de la commande de groupe.

\* Pour plus d'informations, reportez-vous à rubrique 'Commande de groupe'

- Lors de commandes en groupe, les réglages des opérations de base, la puissance du débit d'air faible/moyenne/fort, le verrouillage du dispositif de régulation à distance, les réglages de l'heure et d'autres fonctions peuvent être restreints.

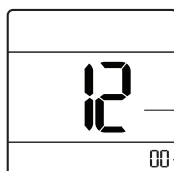
## Réglage d'installation - Conversion degrés Celsius (°C)/Fahrenheit (°F)

Cette fonction permet de convertir l'affichage entre les degrés Celsius et Fahrenheit.  
(États-Unis uniquement)



- 1 Appuyez sur les touches et en même temps pendant plus de 3 secondes pour que le système passe en mode Réglage d'installation.  
- Une fois en mode Réglage d'installation, appuyez sur la touche 'mode-oper' pour sélectionner la valeur du code de réglage de pression statique.  
\* Valeur du code de réglage Celsius/Fahrenheit : 07

- 2 Sélectionnez la valeur de réglage désirée à l'aide de la touche haut () ou bas () .



\*Valeur de réglage  
00:Celsius  
01:Fahrenheit

- 3 Si vous appuyez sur la touche , la valeur de réglage Celsius/Fahrenheit actuellement définie est configurée.

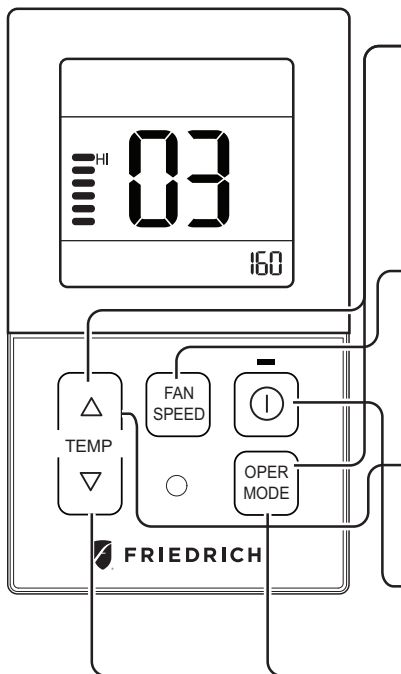
- 4 Appuyez sur les touches et en même temps pendant plus de 3 secondes une fois le réglage terminé pour quitter le mode Réglage.  
- Si vous n'effectuez aucune entrée avec les touches pendant plus de 25 secondes, vous quittez également le mode Réglage d'installation.

- En mode Fahrenheit, toutes les fois que vous appuyez sur la touche() , ou () ,la température augmente/diminue de 2 degrés.

## Réglage d'installation – E.S.P

Cette fonction permet de déterminer la force de la ventilation pour chaque niveau de ventilation et a aussi pour objet de rendre l'installation plus facile.

- Si vous définissez l'ESP de façon inadéquate, le fonctionnement du climatiseur peut s'avérer incorrect.
- Ce réglage doit être réalisé par un technicien agréé.



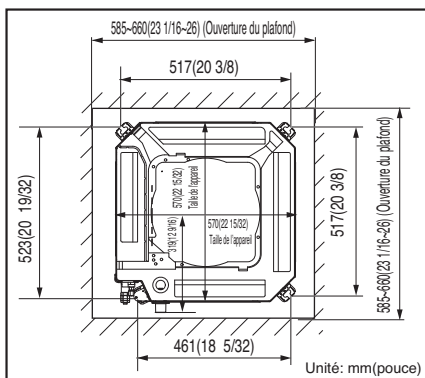
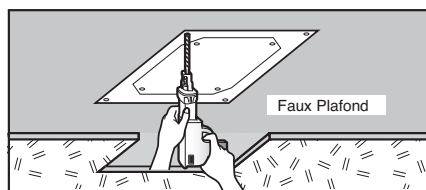
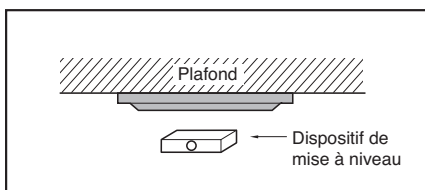
- 1 Si vous appuyez sur les touches et en même temps pendant plus de 3 secondes, le système passe en mode Réglage d'installation.  
- Une fois en mode Réglage d'installation, appuyez sur la touche pour sélectionner la valeur du code du mode E.S.P.  
\* Valeur du code E.S.P. : 03
- 2 Sélectionnez le débit d'air désiré à l'aide de la touche . Toutes les fois que vous appuyez sur la touche , [SLo→Lo→Med→Hi→Po] (très faible, faible, moyen, élevé, très élevé) sera indiqué.
- 3 Sélectionnez la valeur de débit d'air désiré à l'aide de la touche haut () ou bas ().  
\* Plage de valeurs E.S.P. : 0~255  
- La valeur E.S.P doit être indiquée dans la section supérieure droite de la fenêtre d'affichage.
- 4 Si vous appuyez sur la touche , la valeur E.S.P actuellement établie est configurée.
- 5 Une fois le réglage terminé, si vous appuyez sur les touches et en même temps pendant plus de 3 secondes, vous quittez le mode Réglage.  
- Si vous n'effectuez aucune entrée avec les touches pendant plus de 25 secondes, vous quittez également le mode Réglage d'installation.

Pression statique (mmAq)		0	1	2	3	4
Nom modèle	Étape(H/M/L)	Valeur d'arrangement				
MD12Y3JM	9.5 CMM(335cfm)	82	90	99	109	118
	8.5 CMM(300cfm)	75	84	94	104	114
	7.5 CMM(265cfm)	69	77	88	99	110
MD18Y3JM	15 CMM(530cfm)	90	97	105	114	122
	13.5 CMM(477cfm)	82	90	99	109	119
	11.5 CMM(406cfm)	75	84	93	103	114

## [Type cassette plafond]

**Dimension du plafond et emplacement des boulons de support**

- Les dimensions du gabarit en papier pour l'installation sont les mêmes que celles de l'ouverture du plafond.



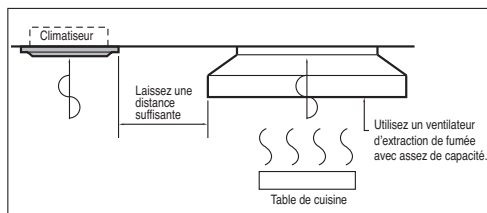
- Sélectionnez et marquez la position pour les vis de fixation et l'orifice des tuyaux.
- Une fois la direction du raccord de drainage décidée, déterminez la position des vis de fixation de telle sorte qu'ils soient légèrement inclinés.
- Faites le perçement du mur pour la vis d'ancrage.

**ATTENTION:**

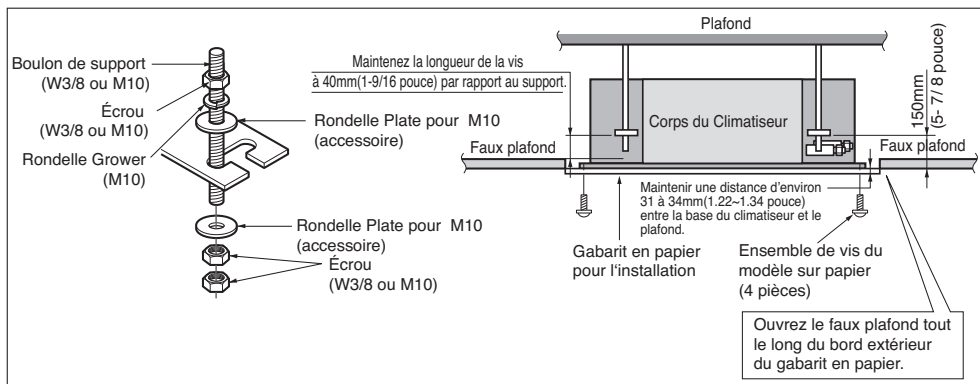
- Ce climatiseur utilise une pompe de relevage.
- Installez l'unité horizontalement à l'aide d'un dispositif de mise à niveau.
- Prenez soin de ne pas abîmer les câbles électriques pendant l'installation.

**REMARQUE:**

- Évitez les emplacements suivants pour effectuer l'installation :
  1. Des endroits tels que des restaurants et des cuisines, où il se produit une quantité considérable de vapeur d'huile et de farine. Celles-ci peuvent réduire l'efficacité de l'échange de chaleur, générer des gouttes d'eau ou bien entraîner le mauvais fonctionnement de la pompe de relevage. Dans ces cas-là, prenez les mesures suivantes:
    - Assurez-vous que le flux d'air de l'extracteur suffit à évacuer tous les gaz nocifs de la pièce.
    - Installez le climatiseur à une distance suffisante de la cuisine, à fin d'éviter qu'il ne puisse aspirer les vapeurs d'huile.
  2. Évitez d'installer le climatiseur dans des endroits où de l'huile de cuisine ou de la poudre de fer sont produites.
  3. Évitez les endroits où du gaz inflammable est produit.
  4. Évitez les endroits où des gaz nocifs sont produits.
  5. Évitez les endroits à proximité de générateurs à haute fréquence.



## Comment fixer



• Les pièces ci-dessous peuvent être achetées sur place.

- ① Boulon de support - W 3/8 ou M10
- ② Écrou - W 3/8 ou M10
- ③ Rondelle Grover - M10
- ④ Rondelle plate - M10



### ATTENTION:

**Serrez l'écrou et la vis pour éviter la chute de l'unité.**

## Connexion du câblage

- Ouvrez le couvercle du panneau de commande et connectez le câble de la commande à distance et les câbles internes

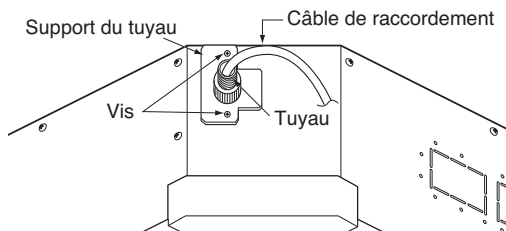
TQ/TR série

Bornier de l'unité intérieure				
1(L1)	2(L2)	3	4	5

Raccordez de l'unité extérieure

## Raccordement du tuyau

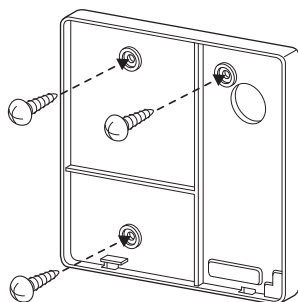
- Enlevez la pièce manchonnée en caoutchouc de qui se trouve sur l'unité intérieure.
- Assemblez le tuyau et le support de tuyau à l'aide de l'écrou.
- Placez le câble de raccordement dans le bornier de l'unité intérieure, et serrez la vis de réglage pour verrouiller le support de tuyau sur l'unité intérieure.



## Installation de la commande à distance (En option)

### 1. Serrer fermement la vis fournie après avoir placé le panneau de configuration de la commande à distance à l'emplacement souhaité.

- Installez-le de sorte à ce qu'il ne se torde pas car sinon cela pourrait entraîner une mauvaise installation. Installez le panneau de commande à distance à proximité du boîtier de remise en état, le cas échéant.
- Installez le produit de manière à ne pas laisser d'espace par rapport au côté du mur pour empêcher des secousses après l'installation.



### 2. Vous pouvez installer le câble de commande à distance filaire selon trois directions.

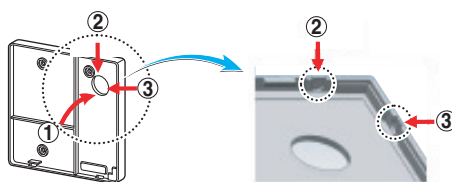
- Direction d'installation : vers la surface du mur, vers le haut, vers la droite
- Si vous installez le câble de commande à distance vers le haut et vers la droite, retirez tout d'abord la rainure guide du câble de commande à distance.

✳ Retirez la rainure avec la pince à long bec.

① Vers la surface du mur

② Rainure de la partie supérieure

③ Rainure de la partie droite

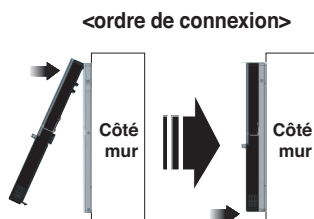


<Rainures des fils>

**3. Fixez la partie supérieure de la commande à distance sur le boîtier d'installation fixé à la surface du mur, comme indiqué sur l'illustration ci-dessous, puis connectez-la au boîtier d'installation en appuyant sur la partie inférieure.**

- Lors de la connexion, supprimez tout espace au niveau des parties supérieure, inférieure, droite et gauche de la commande à distance et du boîtier d'installation.

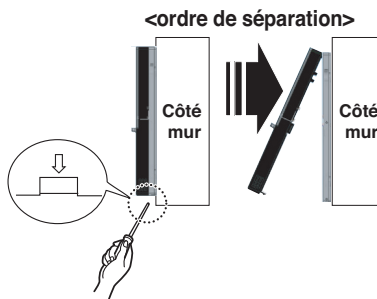
- Avant le montage avec le panneau d'installation, disposez le câble de telle manière qu'il ne soit pas enchevêtré avec les parties du circuit.



**Pour détacher la commande à distance du boîtier d'installation, comme indiqué sur l'illustration ci-dessous, insérez d'abord le tournevis dans le trou de séparation inférieur, puis tournez dans le sens des aiguilles d'une montre.**

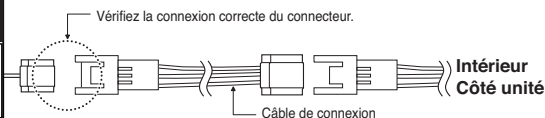
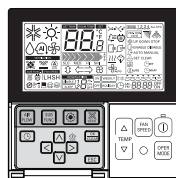
- Il existe deux trous de séparation. Utilisez-les individuellement.

- Veillez à ne pas endommager les composants intérieurs lors de la séparation.



**4. Connectez l'unité intérieure et la commande à distance à l'aide du câble de connexion.**

12V	Red
Fil de signal	Yellow
GND	Black



**ATTENTION**

Lorsque vous installez la commande à distance câblée, ne l'encastrez pas dans le mur. (cela risque d'endommager le capteur de température.)

N'installez pas le câble pour une distance de 50m(164ft) ou plus.

(Cela risque de causer des erreurs de communication.)

- Lors de l'installation du câble d'extension, vérifiez que le sens de connexion du connecteur est correct sur le côté commande à distance et sur le côté appareil.
- Si vous installez le câble d'extension dans le mauvais sens, la connexion du connecteur n'est pas assurée.
- Spécification du câble d'extension : 2547 1007 22# 2 conducteur 3 blindé 5 ou supérieur.

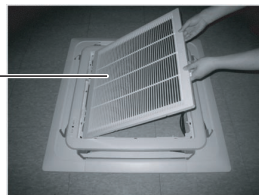


## Installation du panneau décoratif

**Le panneau décoratif a un sens d'installation qu'il faut respecter.  
Avant d'installer le panneau décoratif, retirez toujours le gabarit en papier.**

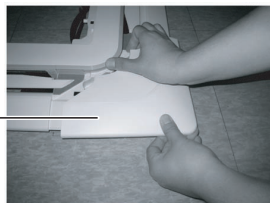
1. Retirez l'emballage et retirez la grille d'entrée d'air du panneau avant.

Front grille



2. Retirez les caches des angles du panneau.

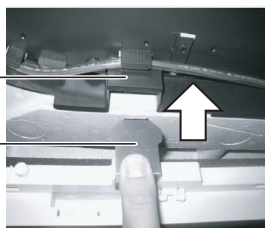
Coner cover



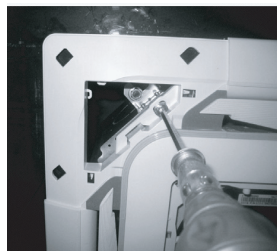
3. Montez le panneau sur l'unité en insérant des crochets comme illustré.

Hook clip

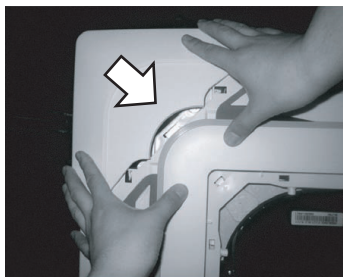
Hook



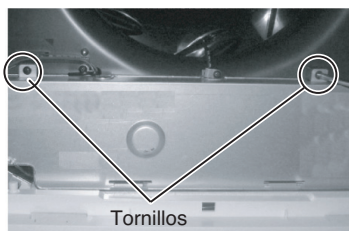
4. Insérez 2 vis dans les angles opposés du panneau. Ne serrez pas les écrous complètement. (Les vis de serrage sont comprises dans le boîtier de l'unité intérieure).  
Vérifiez l'alignement du panneau avec le plafond. La hauteur peut être réglée en utilisant des écrous comme indiqué dans l'illustration. Insérez les deux autres vis et serrez-les complètement.



5. Montez les caches des angles.



6. Dévissez deux vis du cache du panneau de commande.

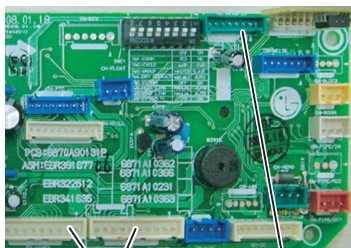


7. Branchez un connecteur d'affichage et deux connecteurs de commande de vanne du panneau avant sur le circuit imprimé de l'unité intérieure.

Les mentions indiquées sur circuit imprimé sont :

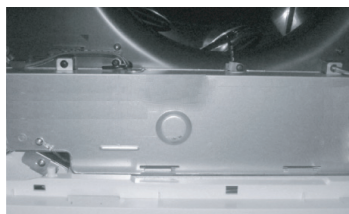
CN-DISPLAY pour de connecteur d'affichage

CN-VANE 1,2 pour les connecteurs des vannes

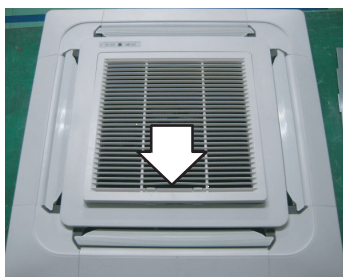


CN-VANE 1,2 CN-DISPLAY

8. Refermez le couvercle du boîtier de commande.



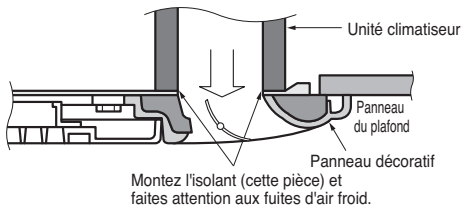
9. Montez la grille d'entrée d'air et le filtre sur le panneau.



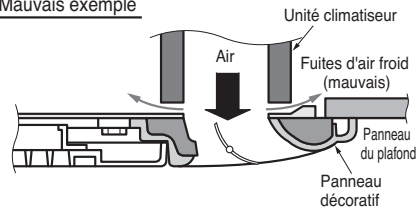


**ATTENTION : Les fuites d'air froid entraînent de la condensation.**  
**Assurez-vous que le panneau est correctement fermé.**

Bon exemple

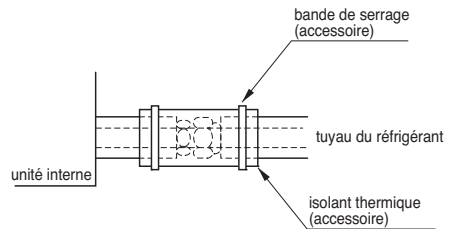


Mauvais exemple



## ISOLATION A LA CHALEUR

1. Utilisez le matériel d'isolation à la chaleur pour les tuyaux du liquide réfrigérant qui ont une résistance à la chaleur excellente [plus de 120°C(248°F)].
2. Faites attention en cas d'humidité élevée : ce climatiseur a été testé dans les "conditions standard KS avec vapeur" et il est confirmé qu'il n'a pas de défauts. Toutefois, s'il fonctionne pendant une longue période dans une atmosphère très humide [température du point de condensation : plus de 23°C(73.4°F)], un écoulement d'eau peut se produire. Dans ce cas, ajoutez du matériel d'isolation en suivant la procédure suivante :

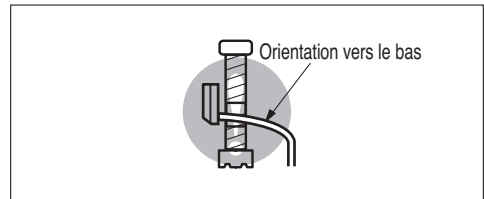


- Utilisez le matériau d'isolation à la chaleur suivant : laine de verre adiabatique avec une épaisseur de 10 à 20 mm.
- Collez de la laine de verre sur tous les climatiseurs placés au plafond.
- En plus de l'isolation normale à la chaleur (épaisseur : plus de 8 mm) pour le tuyau du réfrigérant (tuyau de gaz : tuyau épais) et le tuyau de drainage, ajoutez de 10(0.4) à 20 mm(0.8 inch) d'épaisseur de matériel.

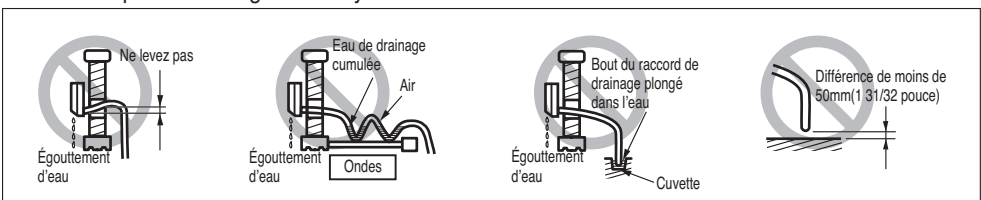
## Tuyauterie de drainage

### [Wall-mounted Type]

1. Le raccord de drainage doit être orienté vers le bas pour rendre plus facile de drainage.



2. Ne faites pas le drainage de la tuyauterie.



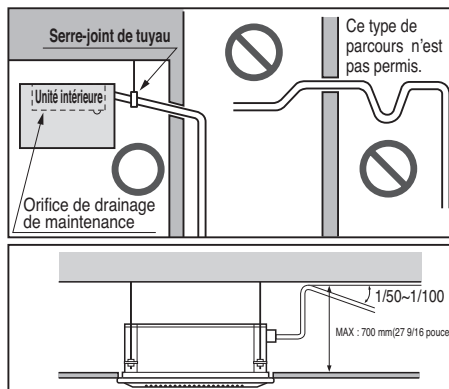
## [Climatiseur Type à conduit caché dans le plafond/Climatiseur Type Cassette]

- La tuyauterie de drainage doit avoir une inclinaison vers le bas (1/50 à 1/100) : pour éviter tout reflux, assurez-vous qu'il n'y ait pas de remontées.
- Pendant la connexion de la tuyauterie de drainage, prenez garde à ne pas exercer une grande pression sur l'orifice de drainage de l'unité intérieure.
- Le diamètre extérieur de la connexion de drainage de l'unité intérieure est de 32mm(1 1/4 inch).

Matériau de la tuyauterie: tuyau en PVC VP-25 et tuyaux accessoires.

- Assurez-vous d'installer un isolant thermique pour la tuyauterie de drainage.

Matériau d'isolation thermique : Mousse de polyéthylène de plus de 8mm(5/16 inch). d'épaisseur.

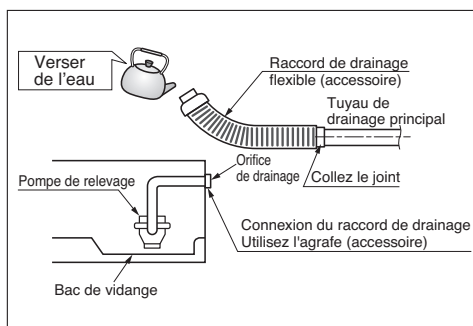


### Drain test

Le climatiseur utilise une pompe de relevage pour drainer l'eau.

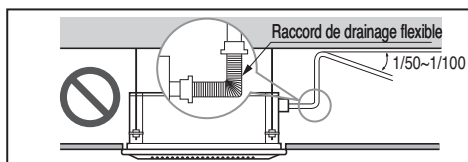
Suivez le procédé ci-dessous pour tester le fonctionnement de la pompe de relevage :

- Connectez le tuyau de drainage principal vers l'extérieur et laissez-le provisoirement jusqu'à la fin du test.
- Versez de l'eau dans le raccord de drainage flexible et vérifiez qu'il n'y ait pas de fuites.
- Assurez-vous de vérifier le fonctionnement normal de la pompe de drainage et l'absence des bruits anormaux lorsque le câblage électrique est complet.
- Une fois que vous avez effectué le test, reliez le raccord de drainage flexible à l'orifice de drainage sur l'unité intérieure.



### ATTENTION:

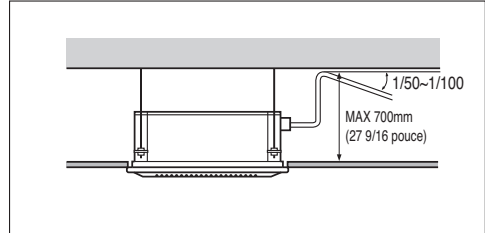
**Le tuyau flexible de drainage.  
La pliure ou le percement du tuyau.**



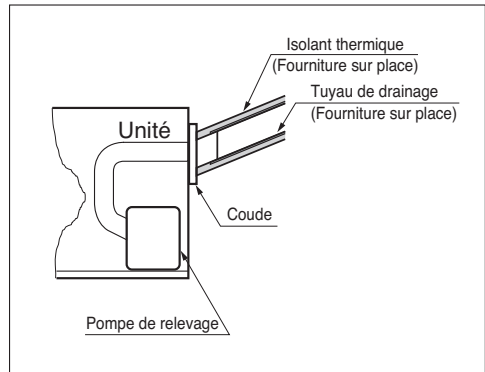
\* Les illustrations/figurent utilisées peuvent ne pas correspondre au modèle

## Attention

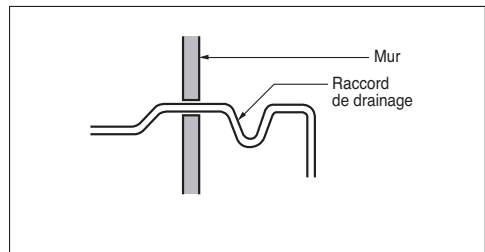
1. La colonne de drainage peut avoir jusqu'à 700mm (27 9/16 inch) de hauteur. Elle doit donc être installée au-dessous de 700mm (27 9/16 inch).
2. Installez le raccord de drainage vers le bas jusqu'à une inclinaison de 1/50~1/100.  
Ex) longueur : 100 inch  $\Rightarrow$  hauteur : 1~2 inch  
Évitez tout flux vers le haut ou reflux dans toutes les pièces.



3. Un isolant thermique de 5 mm. ou plus d'épaisseur est fourni pour le tuyau de drainage.



4. Un parcours de ce type n'est pas permis.
5. Assurez-vous de vérifier le fonctionnement normal de la pompe de relevage et l'absence de bruits anormaux lorsque le câblage électrique est com-plet.



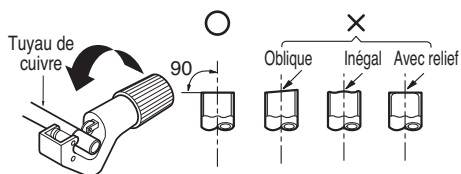
# Travail d'évasement et raccordement de la tuyauterie

## Travail d'évasement

La cause principale de fuites de gaz est un travail d'évasement défectueux. Réalisez ce travail correctement suivant cette procédure.

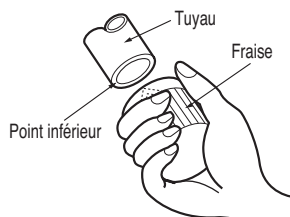
### 1) Coupez les tuyaux et le câble.

- Utilisez le kit de tuyauterie accessoire ou achetez les tuyaux sur place.
- Mesurez la distance entre l'unité intérieure et l'unité extérieure.
- Coupez les tuyaux un peu plus longs que la distance mesurée.
- Coupez le câble 1,5 m (5,0 pi) plus long que la longueur des tuyaux.



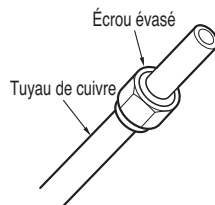
### 2) Enlevez les rebords

- Enlevez complètement tous les rebords de la section de coupe des tuyaux/raccords.
- Lorsque vous enlevez les rebords, placez le bout du tuyau/raccord de cuivre dans une direction descendante pour éviter que les rebords tombent à l'intérieur de la tuyauterie.



### 3) Montage des écrous

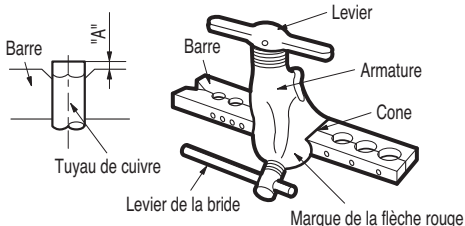
- Retirez les écrous évasés de l'unité intérieure et de l'unité extérieure, puis placez-les autour des tuyaux/raccords après avoir enlevé complètement les rebords. (il n'est pas possible de les installer après le travail d'évasement)



### 4) Travail d'évasement

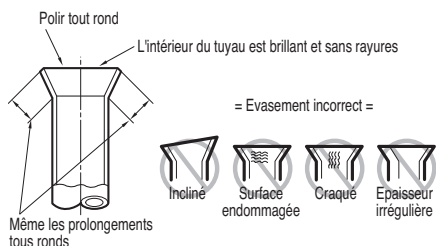
- Réalisez le travail d'évasement à l'aide d'un outil d'évasement tel qu'il est illustré en bas.
- Soutenez fortement le tuyau de cuivre avec une filière d'évasement suivant les dimensions cités dans le tableau d'en bas.

Diamètre extérieur		A	
mm	inch	mm	inch
Ø6.35	1/4	1.1~1.3	0.04~0.05
Ø9.52	3/8	1.5~1.7	0.06~0.07
Ø12.7	1/2	1.6~1.8	0.06~0.07



### 5) Vérifiez

- Comparez votre travail d'évasement avec la figure ci-dessous.
- Si vous notez que l'évasement est défectueux, coupez la section évasée et refaites l'évasement.



## Raccordement des tuyaux - Extérieur

Alignez le centre du tuyau et serrez correctement le raccord conique à la main.

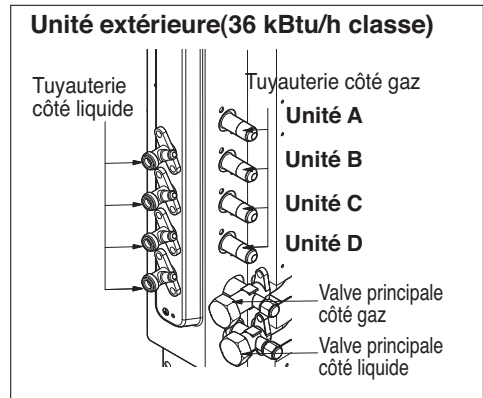
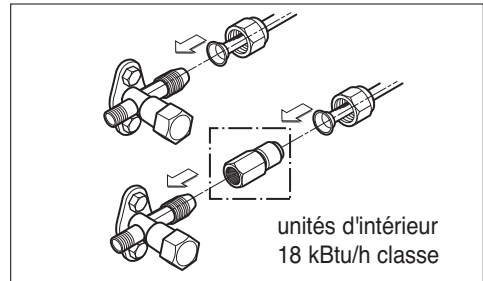
Ordre de raccordement des tuyaux

- 1) Tuyau côté gaz (unités A à D)
- 2) Tuyau côté liquide (unités A à D)

Pour terminer, serrez le raccord conique à l'aide d'une clé dynamométrique jusqu'à l'apparition d'un "clic".

- Lors du serrage des raccords coniques avec la clé dynamométrique, vérifiez que le sens de serrage correspond au sens de la flèche sur la clé.

Diamètre extérieur		Couple de serrage kgf.m(lbf.ft)
mm	Inch	
Ø6.35	1/4	1.8~2.5 (13~18)
Ø9.52	3/8	3.4~4.2 (24~30)
Ø12.7	1/2	5.5~6.6 (40~48)



# Câblage entre l'unité intérieure et l'unité extérieure

## Câblage de l'unité intérieure

Le câblage de l'unité intérieure se fait à travers le raccordement des câbles aux bornes du panneau de commande un à un suivant le raccordement de l'unité extérieure. (Assurez-vous que la couleur des câbles de l'unité extérieure et les numéros des bornes soient les mêmes que ceux de l'unité intérieure.)

Le câble à la terre doit être plus long que les câbles ordinaires.

Le diagramme du circuit n'est pas sous réserve de modifications sans préavis.

Lors de l'installation, lisez le diagramme électrique situé derrière le panneau avant de l'Unité intérieure.

Le câblage de l'unité extérieure se trouve à l'intérieur du couvercle du tableau de commande de l'Unité extérieure.



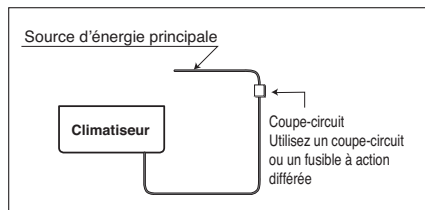
### RECOMMAND :

- Le diagramme du circuit n'est pas sous réserve de modifications sans préavis.
- Assurez-vous de raccorder les câbles suivant le diagramme du câblage.
- Raccordez les câbles fortement pour éviter qu'ils soient débranchés facilement.
- Raccordez les câbles suivant les codes de couleur du diagramme du câblage.



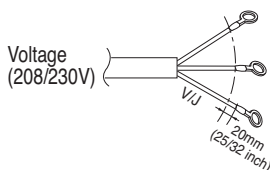
**RECOMMAND :** Installez un disjoncteur entre la source d'alimentation et l'unité extérieure tel qu'il est illustré en bas.

Unité extérieure Capacité (Btu/h classe)	Source d'énergie	Fusible ou coupe-circuit
24/36k	1ø,208/230V	25A



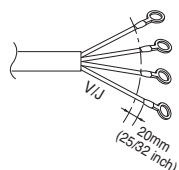
**RECOMMAND :** Le cordon d'alimentation raccordé à l'unité extérieure doit être conforme aux spécifications suivantes : Reconnu par le NRTL (exemple, reconnu par UL ou ETL et certifié par le CSA).

### ■ Cordon d'alimentation



La taille minimum recommandée pour les câbles pour une unité de 18kBtu/h est égale à AWG 14-3; la taille minimum des câbles pour l'unité de 24/36kBtu/h est de AWG 12-3. Comme toujours, la sélection définitive des câbles est régulée par les codes locaux et leur installation doit être effectuée par un entrepreneur professionnel agréé.

### ■ Câble de connexion



Le câble d'alimentation entre l'unité intérieure et extérieure doit être conforme aux spécifications suivantes: reconnu par le NRTL (exemple, reconnu par UL ou ETL et certifié par le CSA). AWG 18-4 représente la taille minimum du câble recommandée, toutefois, les conducteurs sélectionnés doivent être conformes aux codes locaux et adaptés à une installation dans les endroits humides.

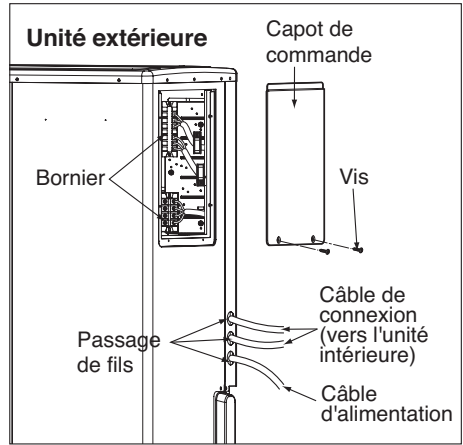


**RECOMMAND :** Si vous utilisez l'autre fil électrique comme cordon d'alimentation, veuillez fixer le fil électrique au panneau du boîtier de contrôle en utilisant les attaches à tête d'équerre en guise de fixation.

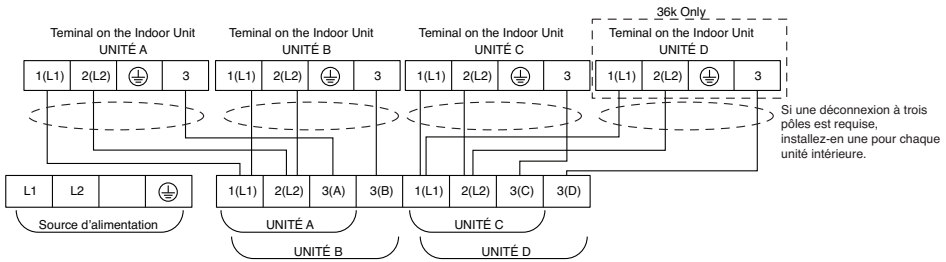


## Câblage de l'Unité extérieure

1. Remove the control cover by removing screws. Connect the wires to the terminals on the control board following the diagrams below.
2. Assurez le câble dans le panneau de commande avec le support (bride).
3. Revissez le couvercle du panneau de commande.



### 24/36 kBtu/h classe



#### REMARQUE :

1. Utilisez le câble de branchement NRTL (UL, ETL, CAS...) spécifié et les conducteurs THHN torsadés en cuivre, la gaine de 600V en fibre de polychlorure de vinyle répertoriée, conforme au ROHS, résistant aux rayons ultraviolets (UV), enterrée directement et approuvée pour une utilisation dans des conditions froides. Température nominale pour  $-20^{\circ}\text{C}$  ( $-4^{\circ}\text{F}$ ) jusqu'à  $90^{\circ}\text{C}$  ( $194^{\circ}\text{F}$ ). Ce câble doit être enveloppé dans le conduit.



#### AVERTISSEMENT :

- Assurez-vous de respecter les codes locaux pour le raccordement de l'unité intérieure à l'unité extérieure (dimension du câble et méthode de câblage, etc.).
- Tous les câbles doivent être solidement raccordés.
- Aucun câble ne doit toucher la tuyauterie de réfrigération, le compresseur ni aucune pièce mobile.
- Les câbles de communication du climatiseur doivent être séparés et isolés du circuit électrique des appareils externes comme les ordinateurs, l'ascenseur, les équipements de diffusion radio et télévision ainsi que des structures d'imagerie médicale.

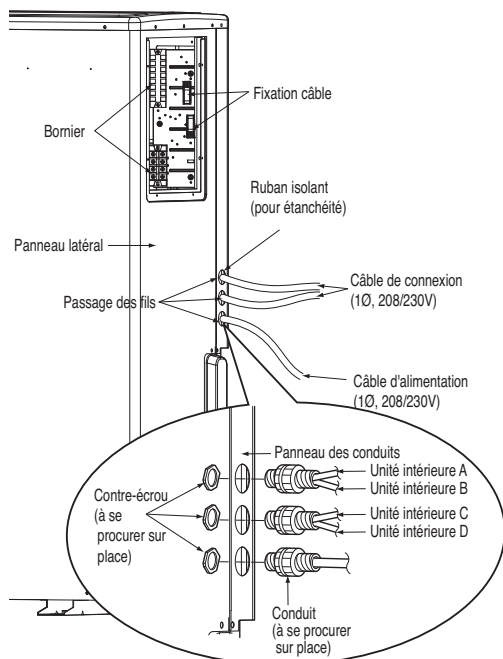
## Méthode de câblage du câble de connexion (Exemple)

- (1) Déposez le panneau latéral et les dispositif d'éjection du panneau du conduit. (pour la ligne basse tension)
- (2) Retirez le câble de connexion travers la conduite.
- (3) Lorsque la conduite traverse le panneau, resserrez l'écrou de l'autre côté du panneau.
- (4) Passez le câble de connexion à travers le trou.
- (5) Raccordez de façon appropriée le câble à la boîte à bornes.
- (6) Serrez le câble de connexion avec un serre-câble fourni avec l'unité. Il ne doit pas se séparer de la borne si le câble de connexion est tiré par un poids de 35 livres.

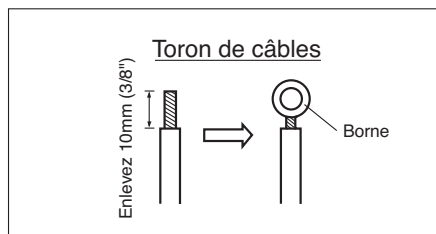


**AVERTISSEMENT : Un câblage défectueux peut provoquer la surchauffe du borne ou un mauvais fonctionnement de l'unité. Il y a également des risques d'incendie. En conséquence, assurez-vous que tout le câblage soit solidement raccordé.**

Lors de la connexion de chaque câble d'alimentation au borne correspondant, suivez les instructions "Comment raccorder les câbles aux bornes" et serrez fortement les câbles avec la vis de fixation de la plaque à bornes.



### Cordon d'alimentation

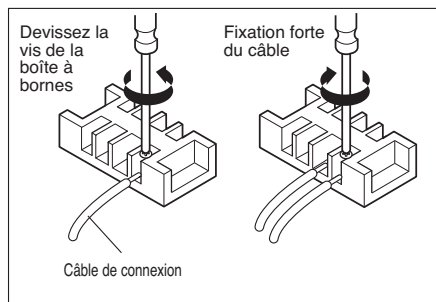


### Comment raccorder les câbles aux bornes

#### ■ Pour le toron de câbles

- (1) Coupez le bout du câble avec un coupe-câbles ou des pinces coupe-câbles. Puis, enlevez environ 10mm (3/8") du matériel isolant pour défaire le toron de câbles.
- (2) À l'aide d'un tournevis, retirez le(s) vis des bornes de la plaque à bornes.
- (3) À l'aide des pinces ou d'une clé à bornes, fixez solidement chaque bout du câble du toron à une borne.
- (4) Revissez les vis de la borne à l'aide d'un tournevis.

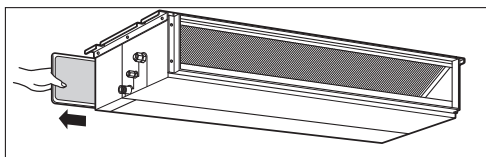
### Câble de connexion



# Vérification du drainage, montage de la tuyauterie et ajustement du tuyau long

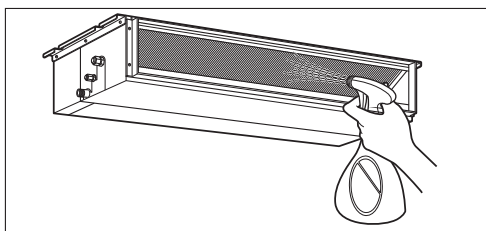
## Vérification du drainage (système d'écoulement)

### 1. Vérification du drainage



### 2. Vérifiez le drainage.

- Arroser un ou deux verres d'eau sur l'évaporateur.
- Assurez-vous que l'eau coule dans le raccord de drainage sans fuites.



\* Les illustrations/figurent utilisées peuvent ne pas correspondre au modèle

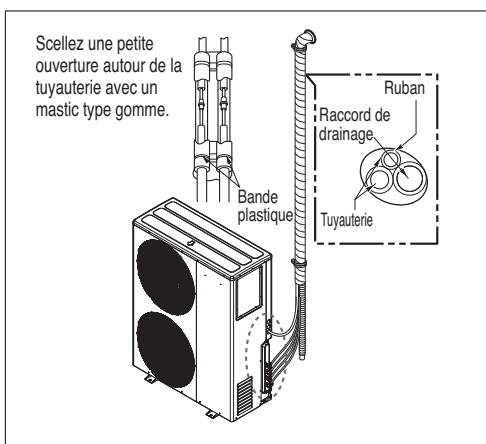
## Montage de la tuyauterie

Montez la tuyauterie et enveloppez du matériel isolant la section de connexion de l'unité intérieure. Utilisez deux types de ruban adhésif.

- Si vous voulez raccorder un raccord de drainage supplémentaire, le bout de la sortie de drainage doit être acheminé au-dessus du niveau du sol. Assurez le raccord de drainage de façon appropriée.

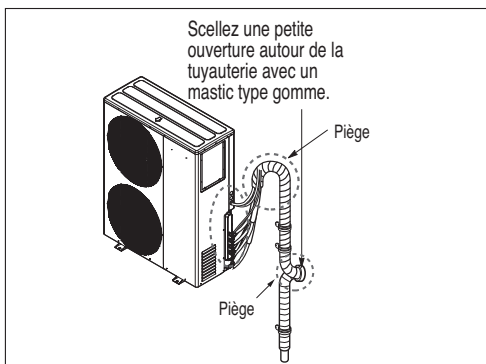
Si l'unité extérieure est installée au-dessous du niveau de l'unité intérieure, procédez comme il suit.

1. Enveloppez la tuyauterie, le raccord de drainage et le câble de connexion du bas vers le haut.
2. Assurez la tuyauterie enrubannée au long du mur extérieur à l'aide d'un support ou d'un équivalent.



Si l'unité extérieure est installée au-dessus du niveau de l'unité intérieure, procédez comme il suit.

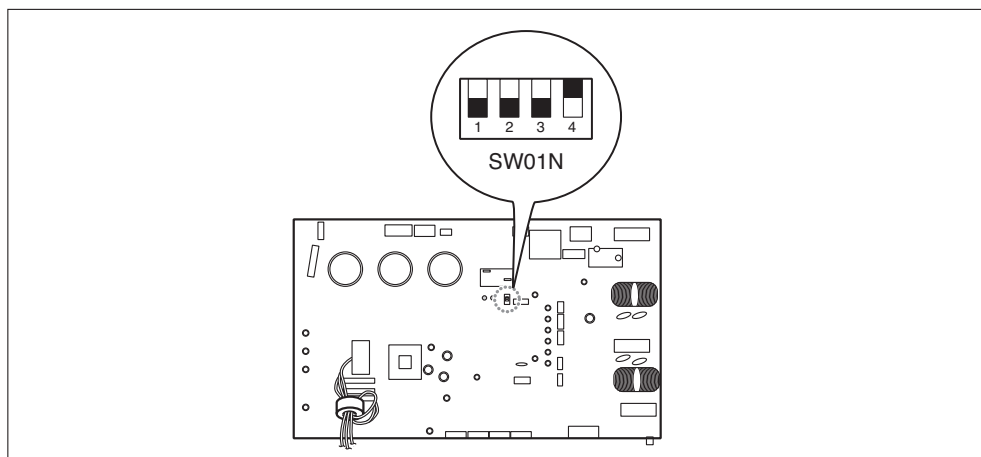
1. Enveloppez la tuyauterie et le câble de connexion du bas vers le haut.
2. Assurez la tuyauterie enrubannée au long du mur extérieur. Installez un piège pour éviter que l'eau entre en contact avec les pièces électriques.
3. Fixez la tuyauterie au mur à l'aide d'un support ou d'un équivalent.



## Extended line length setting

1. Ouvrez le couvercle supérieur de l'unité extérieure.
2. Sélectionnez un des deux modes de longueur de tuyau, selon le cas.
3. Réglez la Zone comme indiqué sur la figure.
4. Refermez le couvercle supérieur et vérifiez que le système fonctionne normalement.

**⚠ AVERTISSEMENT : n'ouvrez pas le couvercle supérieur et ne réglez pas la longueur de tuyau pendant que l'appareil fonctionne.**



# Épuration et évacuation d'air

L'air et l'humidité dans le système réfrigérant ont des effets négatifs, tel qu'il est indiqué en bas.

1. La pression du système augmente.
2. Le courant de fonctionnement augmente.
3. L'efficacité de refroidissement (ou chauffage) est réduite.
4. L'humidité dans le circuit de réfrigération peut congeler et bloquer la tuyauterie.
5. De l'eau peut rouiller les pièces du système de réfrigération.

En conséquence, l'unité intérieure/extérieure et le tuyau de connexion doivent être vérifiés et vidés pour enlever le gaz non condensable et l'humidité du système.

## Méthode de vérification

### Préparation

- Vérifiez que chaque tuyau (tuyaux à liquide et à gaz) entre l'unité intérieure et extérieure a été raccordé correctement et que tout le câblage pour l'essai de fonctionnement a été complété. Enlevez les embouchures des vannes de service à gaz et à liquide de l'unité extérieure. Assurez-vous que les vannes de service à gaz et à liquide de l'unité extérieure soient fermées dans cette étape.

### Essai de fuites

- Raccordez la vanne du collecteur (avec les indicateurs de pression) et le cylindre de gaz nitrogène sec à ce port de service avec les raccords de charge.

**ATTENTION:** Assurez-vous d'utiliser une vanne de collecteur pour réaliser l'essai de fuites.

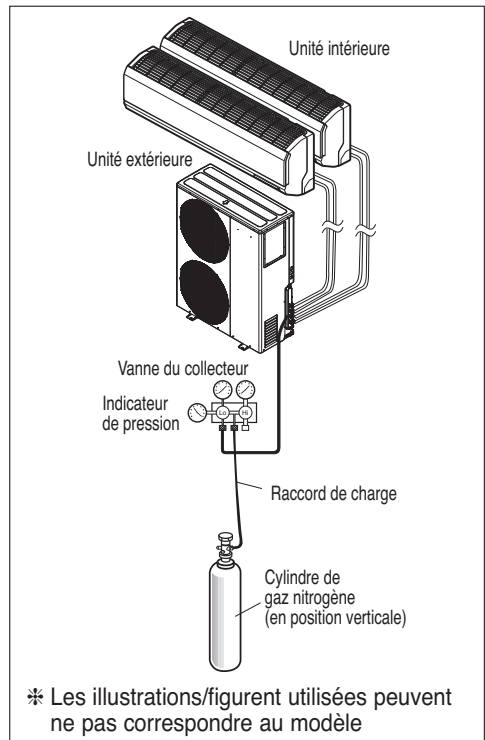
La vanne du collecteur de la partie supérieure doit rester toujours fermée.

- Pressurisez le système à moins de 550 P.S.I.G. avec le gaz nitrogène sec et fermez la vanne du cylindre lorsque la lecture de l'indicateur atteint 550 P.S.I.G. Ensuite, vérifiez s'il y a des fuites avec de l'eau savonneuse.

**ATTENTION:** Afin d'éviter que le nitrogène rentre dans le système de réfrigération à l'état liquide, le bout du cylindre doit être plus haut que sa base lorsque vous pressurisez le système. Souvent, le cylindre est utilisé dans une position verticale.

**REMARQUE :** L'essai de fuites doit être réalisé pour chaque ensemble de raccords de l'unité intérieure séparément.

1. Réalisez un essai de fuites dans tous les joints de la tuyauterie (intérieure et extérieure) et dans les vannes de service à gaz et à liquide. La présence de pompes indique une fuite. Assurez-vous d'essuyer le savon avec un tissu propre.
2. Une fois l'absence de fuites vérifiée, détendez la pression du nitrogène en desserrant le raccord de charge du cylindre de nitrogène. Une fois la pression du système revenue au niveau normal, séparez le raccord du cylindre.



## Évacuation

1. Raccordez le bout du raccord de charge décrit précédemment à la pompe à vide pour évacuer la tuyauterie et l'unité intérieure.  
Confirmez si bouton "B" de la vanne du collecteur est ouvert. Puis, mettez en marche la pompe à vide.  
Le temps de marche pour l'évacuation varie selon la longueur de la tuyauterie et la capacité de la pompe.

La pompe vide doit être fonctionnée moins que 0.8 tonnes de la pression indiquée.

2. Une fois vidé, fermez le bouton "B" de la vanne du collecteur et arrêtez la pompe à vide.

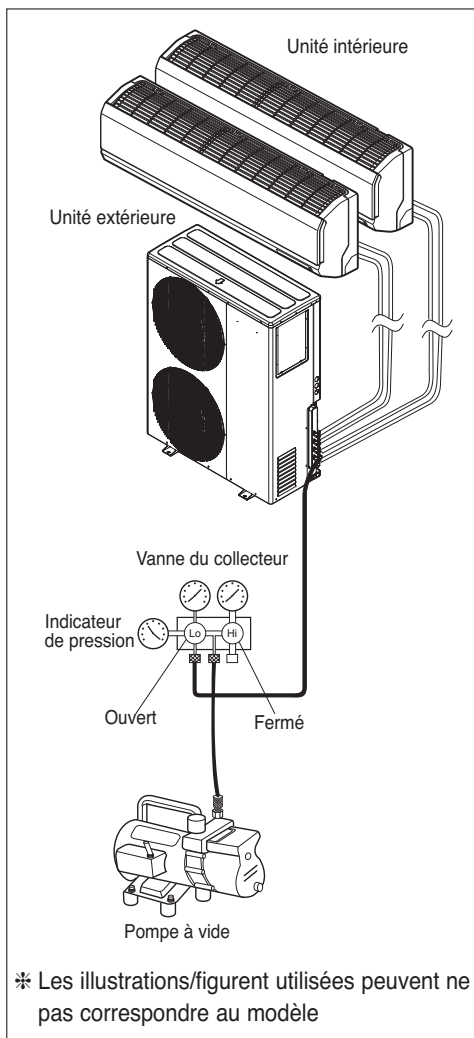
### Pour finir le travail

1. À l'aide d'une clé pour la vanne de service, tournez la tige de la vanne à liquide dans le sens des aiguilles de l'horloge pour ouvrir complètement la vanne.
2. Tournez la tige de la vanne à gaz dans le sens des aiguilles de l'horloge pour ouvrir complètement la vanne.
3. Desserrez légèrement le raccord de charge raccordé au port de service à gaz pour détendre la pression. Puis, enlevez le raccord.
4. Replacez l'écrou évasé et son bonnet sur le port de service à gaz et serrez fortement l'écrou évasé avec une clé de serrage. Cette procédure est très importante pour éviter les fuites du système.
5. Replacez les bouchons des vannes de service à gaz et à liquide et serrez-les fortement.

Cela complète l'épuration d'air avec une pompe à vide.

Le climatiseur est maintenant prêt pour l'essai de fonctionnement.

**REMARQUE** : Répétez la procédure d'évacuation pour chaque unité intérieure.



# Charge

- Si la longueur totale des canalisations installées est supérieure à la longueur totale standard, une charge de fluide frigorigène supplémentaire est nécessaire.  
En dessous de la longueur totale standard des canalisations, une charge de fluide frigorigène supplémentaire n'est pas nécessaire.

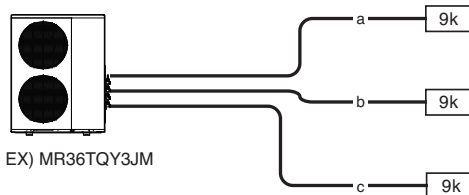
Unité:m(ft)

Unité extérieure Capacité (Btu/h classe)	Longueur totale maximale de tous les tuyaux(A+B)/ (A+B+C)/ (A+B+C+D)	Longueur maximale de chaque tuyau (A/B/C/D)	Longueur minimale de chaque tuyau (A/B/C/D)	Réfrigérant supplémentaire Unit:g/m(oz/ft)	Longueur totale standard des canalisations (Pas de fluide frigorigène supplémentaire)
24k	75(246)	25(82)	3(9.8)	20(0.22)	22.5(74)
36k	75(246)	25(82)	3(9.8)	20(0.22)	30(98.4)

## Important:

Si vous n'êtes pas certain de la charge de l'unité, récupérez, évacuez et pesez la charge correcte conformément à la quantité indiquée sur la Plaque technique de l'unité.

Charge supplémentaire (oz) = (Longueur totale des canalisations installées - longueur totale standard des canalisations) x 0,22



Chaque branche de tuyauterie  
a=82ft  
b=16ft  
c=49ft

Charge additionnelle  
= {(82+16+49)-98.4} x 0.22 = 10.69 oz

- \* Si après calcul, il s'avère que la valeur de la charge additionnelle totale est négative, ne considérez pas de charge supplémentaire.







**FRIEDRICH**

1883

# Manuel d'installation

## SPLIT SYSTEM DUCTLESS



ESPAÑOL

**TIPO : Multi zone**

THE EXPERTS IN ROOM AIR CONDITIONING

# INSTRUCCIONES DE INSTALACIÓN DE FLEX CON MÚLTIPLES DIVISIONES

## ¡IMPORTANTE!

### Lea completamente este manual de instrucciones antes de instalar el producto.

Este sistema acondicionador de aire cumple estrictamente las normas de funcionamiento y seguridad. Como instalador o persona de mantenimiento, una parte importante de su trabajo es instalar o realizar el mantenimiento del sistema de modo que funcione de modo eficiente y seguro.



## ADVERTENCIA

- La instalación o reparaciones realizadas por personas no calificadas pueden poner en riesgo a las personas. La instalación DEBE cumplir los códigos locales de construcción o, en ausencia de códigos locales, el Código Eléctrico Nacional NFPA 70/ANSI C1-1993 o la edición actual y el Código Eléctrico de Canadá Parte 1 CSA C.22.1.
- La información contenida en el manual está pensada para ser utilizada por un técnico cualificado familiarizado con los procedimientos de seguridad y equipado con las herramientas e instrumentos de comprobación adecuados.
- Si no lee atentamente ni sigue las instrucciones de este manual puede producirse un mal funcionamiento en el equipo, daños materiales, lesiones personales y/o muerte.

**PRECAUCIÓN:** La instalación, ajuste, modificación, reparación o mantenimiento inadecuados pueden anular la garantía.

Dado el peso de la unidad condensadora se requiere precaución y la utilización de procedimientos de manejo adecuados al levantarla o desplazarla para evitar lesiones personales. Evite el contacto con los bordes afilados o puntiagudos.

## Precauciones de seguridad

- Utilice siempre material de protección para los ojos y guantes de trabajo para instalar el equipo.
- Nunca dé por hecho que el suministro eléctrico está desconectado. Compruébelo con el medidor y el equipamiento.
- Mantenga las manos alejadas de las zonas de ventiladores cuando la alimentación esté conectada al equipo.
- R410A produce quemaduras por congelación.
- R410A es tóxico cuando se quema.

## NOTA PARA EL INSTALADOR:

El manual de instrucciones y la garantía deben entregarse al propietario o quedar expuestos a la vista cerca de la unidad interior de ventilación/calefacción.



## Advertencias especiales

### Al realizar la conexión:

**Una descarga eléctrica puede producir graves lesiones personales o muerte. Sólo debe realizar la conexión de este sistema un electricista cualificado y experimentado.**

- No suministre energía a la unidad hasta que se hayan completado o reconectado y comprobado todas las conexiones y tuberías.
- Este sistema utiliza voltajes eléctricos altamente peligrosos. Consulte atentamente el esquema de cableado y estas instrucciones cuando realice las conexiones. Una conexión incorrecta y una puesta a tierra inadecuada pueden ocasionar lesiones por accidente o muerte.
- Ponga a tierra la unidad siguiendo los códigos eléctricos locales.
- Apriete fuertemente todas las conexiones. Los cables flojos pueden causar un sobrecalentamiento en los puntos de conexión y un posible peligro de incendio.

### Al realizar el transporte:

Tenga cuidado al recoger y desplazar las unidades interior y exterior. Es necesario la ayuda de otra persona y doblar las rodillas al levantar la unidad para reducir la tensión en su espalda. Los bordes afilados o las aletas de aluminio delgado del acondicionador de aire pueden producir cortes en los dedos.

### Al realizar la instalación...

... en una pared: Asegúrese de que la pared es lo suficientemente resistente como para soportar el peso de la unidad.

Puede que sea necesario construir un bastidor de metal o madera resistente para proporcionar más apoyo.

... en una habitación: Aísle adecuadamente cualquier tubería situada en el interior de una habitación para evitar la "condensación" que puede producir goteo y daños en pared y suelo.

... en emplazamientos húmedos o no uniformes: Utilice una base de hormigón elevada o bloques de hormigón para proporcionar una base sólida y nivelada para la unidad exterior. Esto evita los daños por agua y las vibraciones anormales.

... en áreas con fuertes vientos: Ancle firmemente la unidad exterior con pernos y un bastidor metálico. Instale un deflector de aire adecuado.

... en áreas con nieve (para el modelo de bomba de calor): Instale la unidad exterior sobre una plataforma elevada a un nivel más alto que el de la nieve. Instale rejillas para la nieve.

### Al conectar las tuberías de refrigerante

- Mantenga la longitud de todas las tuberías lo más corta posible.
- Utilice el método de abocinado para conectar las tuberías.
- Compruebe con cuidado las fugas antes de realizar la prueba de funcionamiento.

### Al realizar el mantenimiento

- Desconecte la alimentación en el cuadro principal (red) antes de abrir la unidad para comprobar o reparar piezas eléctricas y el cableado.
- Mantenga alejados los dedos y la ropa de las piezas móviles.
- Limpie la zona antes de finalizar el mantenimiento, recordando comprobar que no quedan en el interior de la unidad residuos metálicos o trozos de cableado.

# ÍNDICE

## Requisitos de instalación

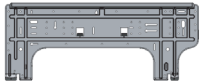
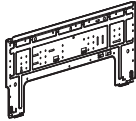








<b>Piezas de instalación suministradas</b> .....	4
Unidades interiores .....	5
Unidad exterior .....	5
<b>Presentación del producto</b> .....	5
<b>Precauciones de seguridad</b> .....	6
<b>Instalación de la unidad interior, unidad exterior</b> .....	9
Selección de la mejor ubicación .....	9
Guía de instalación junto al mar .....	11
Longitud de la tubería y elevación .....	12
<b>Instalación</b> .....	13
Conexión de conductos .....	13
How to mount .....	16
Conexión de los cables entre las unidades interior .....	17
Conexión del conducto .....	17
Dimensiones del techo y situación del perno de suspensión	
18	
How to mount .....	19
Conexión del conducto .....	19
Instrucciones de instalación .....	21
Instalación del control remoto por cable .....	23
Ajuste de instalador – Modo de prueba de funcionamiento	24
Ajuste de instalador – Termistor .....	25
Ajustes de instalador - Ajustes de grupo .....	26
Ajustes de instalador – Cambio Celsius / Fahrenheit .....	27
Ajuste de instalador – E.S.P. ....	28
Dimensiones de abertura del techo y ubicación del perno de	
suspensión .....	29
Cómo fijar .....	30
Conexión de los cables entre las unidades interior .....	30
Conexión del conducto .....	30
Instalación del mando a distancia (Opcional) .....	31
Instalación del Panel Decorativo .....	33
Tuberías de drenaje .....	35
<b>Trabajo de abocinado y conexión de las tuberías</b> .....	38
Trabajo de abocinado .....	38
Conexión de la canalización - Exterior .....	39
<b>Conexión del cable entre la unidad interior y exterior</b> ...	40
Conecte el cable a la unidad interior. ....	40
Conecte el cable a la unidad exterior. ....	41
Método de conexión del cable de conexión (Ejemplo) .....	42
<b>Comprobación del drenaje, formación de tuberías y</b>	
<b>ajuste de la tubería larga</b> .....	43
Comprobación del drenaje .....	43
Formación de las tuberías .....	43
<b>Extended line length setting</b> .....	44
<b>Purga de aire y evacuación</b> .....	45
Método de comprobación .....	45
Evacuación .....	46
<b>Carga</b> .....	47

## Herramientas necesarias


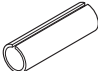





- Indicador de nivel
- Destornillador
- Taladradora eléctrica
- Broca corona [ø50mm(2 inch)]
- Medidor horizontal
  
- Equipo de herramientas de abocinado
- Pares de apriete especificados 1,8kg.m, 4,2kg.m, 5,5kg.m, 6,6kg.m (diferentes en función del n° de modelo).
- Llave de tuercas....Semiunión
  
- Vaso de agua
- Destornillador
  
- Llave hexagonal (4mm)
- Detector de fugas de gas
- Bomba de vacío
- Medidor múltiple
  
- Manual de usuario
- Termómetro
- Soporte del control remoto

# Piezas de instalación suministradas

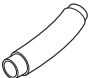



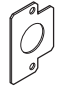




## [Wall-mounted Type]

Type 1		Type 2	
Placa de instalación		Placa de instalación	
			
Tornillo tipo "B"	Tornillo tipo "C"	Tornillo tipo "B"	Tornillo tipo "C"
			
Tornillo tipo "A"		Tornillo tipo "A"	
			
Soporte del control remoto		Soporte del control remoto	
			

## [Tipo Conducto oculto en el techo]

Nombre	Abrazadera	Aislamiento para la guarnición	Tornillos para los rebordes del conducto	Cinta plástica	Placa de montaje del conducto
Cantidad	1 EA	1 set	1 set	8 EA	1 EA
Forma		 Lado del gas  Lado del líquido			 Placa de montaje del conducto  Tornillo (M4) 2EA

## [Aire acondicionado de Tipo Cassete]

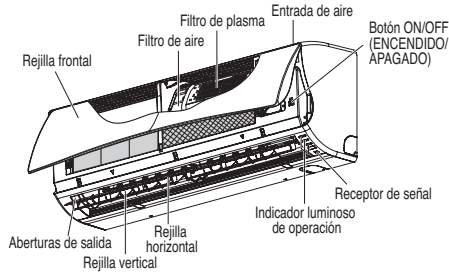
Nombre	Manguera de drenaje	Abrazadera	Arandela	Cinta plástica	Placa de montaje del conducto	Aislamiento para la guarnición	Soporte del mando a distancia
Cantidad	1 EA	1 EA	8 EA	8 EA	1 EA	1 SET	1 EA
Forma					 Placa de montaje del conducto  Tornillo (M4) 2EA	 Lado del gas  Lado del líquido	

# Presentación del producto

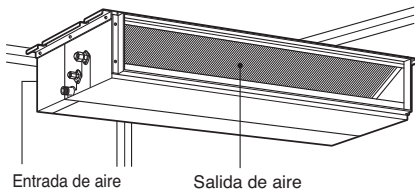
A continuación encontrará una breve presentación de las unidades de interior y exterior.  
Por favor, consulte la información específica relativa al tipo de su unidad interior.

## Unidades interiores

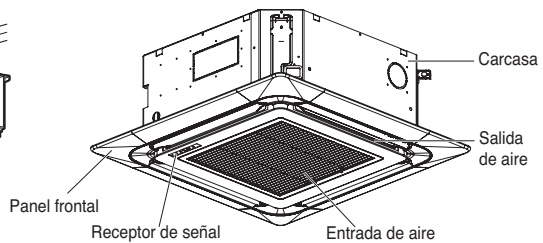
### [Wall-mounted Type]



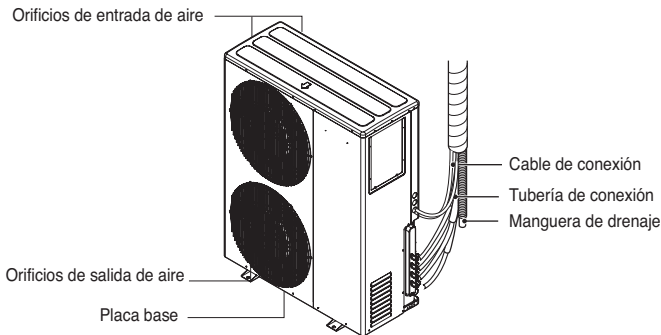
### [Tipo Conducto oculto en el techo]



### [Aire acondicionado de Tipo Cassete]



## Unidad exterior



\* La imagen pueden variar según el modelo.

# Precauciones de seguridad

Para evitar lesiones al usuario o a otras personas y daños materiales, debe seguir las siguientes instrucciones.

- Lea estas instrucciones antes de instalar el aire acondicionado.
- Observe las precauciones especificadas en este manual, ya que incluyen indicaciones importantes relacionadas con la seguridad.
- El uso incorrecto ocasionado al ignorar las instrucciones puede causar lesiones o daños. La gravedad se clasifica mediante las siguientes indicaciones.

**⚠ ADVERTENCIA** Este símbolo indica la posibilidad de muerte o lesiones graves.

**⚠ PRECAUCIÓN** Este símbolo indica la posibilidad de lesiones o daños materiales.

- A continuación se muestran los significados de los símbolos utilizados en este manual.



**No lo haga.**



**Siga las instrucciones.**

## ⚠ ADVERTENCIA

### ■ Instalación

**Realice siempre la conexión de la toma de tierra.**

- Si no lo hace, podría producirse una descarga eléctrica.

**Asegúrese de que el cable de alimentación no está pelado o dañado.**

- Si lo hace, podría producirse un incendio o descarga eléctrica.

**Póngase en contacto con un servicio de servicio o instalador autorizado para la instalación de este equipo.**

- De lo contrario, podría producirse un incendio, descarga eléctrica, explosión o daños.

**Ajuste firmemente la cubierta de la parte eléctrica en la unidad interior y el panel de servicio en la unidad exterior.**

- Si la cubierta de la parte eléctrica de la unidad interior y el panel de servicio de la unidad exterior no están ajustados firmemente, podría producirse un incendio o descarga eléctrica debido al polvo, agua, etc.

**Asegúrese de disponer de un disyuntor dedicado, así como una desconexión eléctrica independiente**

- Si no lo instala, podría producirse un incendio y una descarga eléctrica.

**No almacene ni utilice gases inflamables o combustibles cerca del aire acondicionado.**

- De lo contrario, podría producirse un incendio o una avería del aparato.

**Antes de la instalación, asegúrese de que sistema exterior no está dañado.**

- Podría producir daños o un accidente.

**No realice ningún trabajo de servicio si no es un instalador autorizado.**

- Podría producirse un incendio o una descarga eléctrica.

Utilice una bomba al vacío o gas inerte (nitrógeno) cuando proceda a pruebas de escape o purga de aire. No comprima ni el aire ni el oxígeno, ni utilice gases inflamables. No utilice oxígeno, aire comprimido u otros gases que puedan ser inflamables o nocivos. Podría causar un incendio, explosión, lesiones o la muerte.

- Existe riesgo de muerte, lesión, incendio o explosión.

Cuando haya finalizado la instalación, asegúrese de que el sistema esté correctamente fijado.

- De lo contrario, podrían producirse daños personales.

**Tenga cuidado cuando lo desembale e instale.**

- Los bordes afilados pueden producir daños.

## ■ Funcionamiento

**Asegúrese de que el sistema se ha instalado en un circuito dedicado.**

- Podría producirse una descarga eléctrica o incendio debido a la generación de calor.

**No utilice un cable de alimentación dañado.**

- Si lo hace, podría producirse un incendio o una descarga eléctrica.

**No modifique el cable de alimentación sin solicitar asistencia de un profesional cualificado.**

- Si lo hace, podría producirse un incendio o una descarga eléctrica.

**Asegúrese de la correcta conexión del cable de alimentación y tenga cuidado de que no se suelte.**

- Si lo hace, podría producirse un incendio o una descarga eléctrica.

**Desenchufe la unidad si emite un sonido extraño, olores o humo.**

- Si no lo hace, podría producirse una descarga eléctrica o un incendio.

**Mantenga la unidad alejada de fuentes de calor.**

- De lo contrario, podría producirse un incendio.

**No utilice el cable de alimentación cerca de generadores de calor.**

- Si lo hace, podría producirse un incendio o una descarga eléctrica.

**No abra la entrada de aspiración de la unidad interior/exterior durante el funcionamiento.**

- Si lo hace, podría producirse una descarga eléctrica y una avería.

**Si el equipo está sumergido. Corte la corriente eléctrica y llame a un centro de servicio.**

- De lo contrario, podría producirse una avería en la unidad o una descarga eléctrica.

**Sujete la clavija por la cabeza cuando la saque.**

- Podría producirse una descarga eléctrica y daños.

**No toque nunca las partes metálicas de la unidad cuando retire el filtro.**

- Son afiladas y pueden producir lesiones.

**No utilice el equipo como peldaño o estantería.**

- Podrían producirse daños debido al desplome o caída de la unidad.

**No coloque ningún objeto pesado sobre el cable de alimentación.**

- Si lo hace, podría producirse un incendio o una descarga eléctrica.

**Si el aparato se ha sumergido en agua, póngase siempre en contacto con el centro de servicio técnico.**

- De lo contrario, podría producirse un incendio o una descarga eléctrica.

**Vigile que los niños no se suban a la unidad exterior.**

- Si lo hacen, podrían resultar gravemente lesionados debido a una caída.

## PRECAUCIÓN

### ■ Instalación

**Asegúrese de la correcta fijación del drenaje**

- De lo contrario, podrían producirse fugas de agua.

**Realice la instalación en un área donde el ruido y el calor no afecten a otras personas.**

- De lo contrario, podrían producirse disputas con los vecinos.

**Compruebe siempre las posibles fugas en todas las conexiones; si encuentra alguna fuga, realice las reparaciones adecuadas.**

- Si no lo hace, podría producirse una avería en la unidad.

**Durante la instalación, asegúrese de que el equipo esté nivelado**

- Si no lo hace, podrían producirse vibraciones o fugas de agua.

### ■ Funcionamiento

**Evite un enfriamiento excesivo y ventile frecuentemente.**

- De lo contrario, podría perjudicar su salud.

**Utilice un paño suave para limpiar la unidad. No utilice cera, disolvente ni un detergente fuerte.**

- Podría deteriorarse el aspecto del aire acondicionado, cambiar el color o producirse desperfectos en su superficie.

**No utilice el aparato para una finalidad especial como el acondicionamiento para animales o vegetales, máquinas de precisión o la conservación de artículos de arte.**

- Si lo hace, podrían producirse daños en sus propiedades.

**No bloquee u obstruya la entrada o salida del flujo de aire.**

- Si lo hace, podría producirse una avería en el aparato o un accidente.



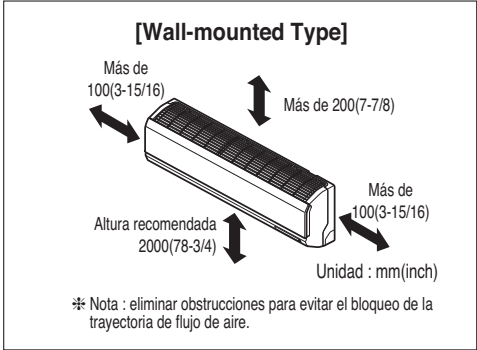
# Instalación de la unidad interior, unidad exterior

Lea completamente y, a continuación, sígalo paso a paso.

## Selección de la mejor ubicación

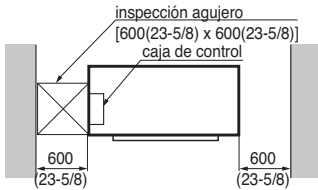
### Unidad interior

1. No coloque generadores de calor o vapor cerca de la unidad.
2. Seleccione un lugar donde no haya obstáculos frente a la unidad.
3. Asegúrese de que el drenaje de condensación pueda conducirse convenientemente.
4. No instale la unidad cerca de una puerta.
5. Mantenga los espacios indicados por las flechas a la pared, techo, valla u otros obstáculos.
6. Utilice un localizador de pernos para localizarlos y evitar daños innecesarios a la pared.

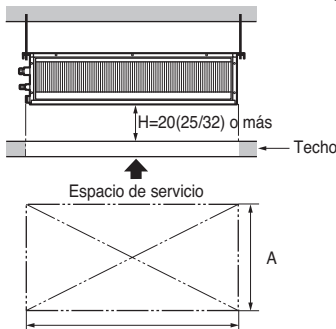


### [Tipo Conducto oculto en el techo]

#### Vista superior



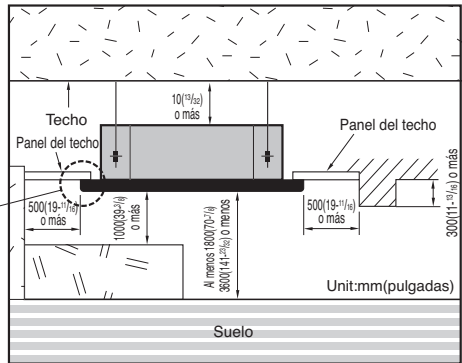
#### Vista frontal



\* Es necesario contra con la dimensión "H" adecuada para lograr una pendiente de drenare como muestra la figura.

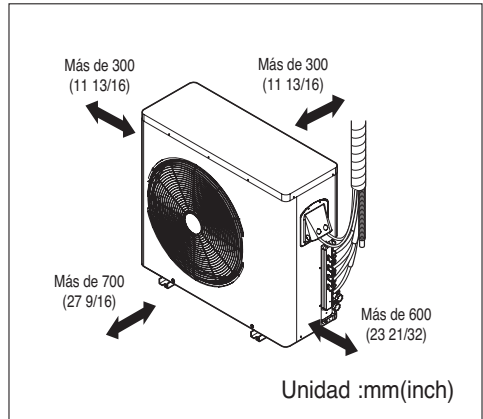
Capacidad (Btu/h clase)	A	B
9/12k	600(23-5/8)	900(35-7/16)
18k	600(23-5/8)	1100(43-5/16)

### [Aire acondicionado de Tipo Cassete]



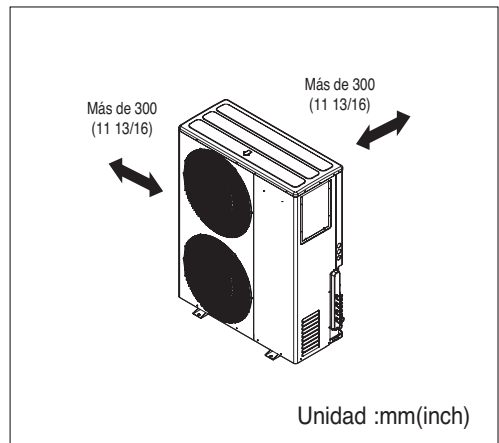
## Unidad exterior

1. Si hay un toldo sobre la unidad para evitar la exposición a la luz solar directa o a la lluvia, asegúrese de que no restringe la radiación de calor del condensador.
2. Mantenga los espacios indicados por las flechas en la parte frontal, posterior y lateral de la unidad.
3. No coloque animales ni plantas expuestos directamente al aire caliente.
4. Tenga en cuenta el peso del aire acondicionado y seleccione un lugar donde produzca el mínimo ruido y vibración.
5. Seleccione un lugar donde el aire caliente y el ruido del aire acondicionado no moleste a los vecinos.



## Instalaciones sobre el tejado:

Si la unidad exterior se instala sobre el tejado, asegúrese de nivelar la unidad. Asegúrese de que la estructura del tejado y el método de anclaje son adecuados para la colocación de la unidad. Consulte los códigos locales sobre el montaje en tejados.



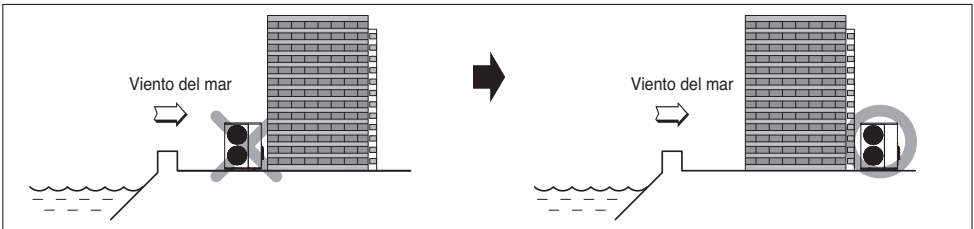
## Guía de instalación junto al mar

### ! PRECAUCIÓN

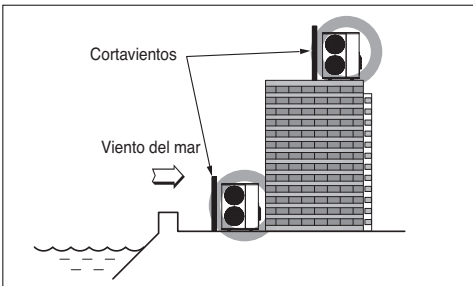
1. Los aparatos de aire acondicionado no deben instalarse en áreas donde se produzcan gases corrosivos, como los alcalinos o los ácidos.
2. No instale el aparato donde quede expuesto directamente al viento del mar (rocío salino). Puede producirse la corrosión en el producto. La corrosión, particularmente en las aletas del condensador y del evaporador, podría causar un funcionamiento defectuoso del aparato o un funcionamiento ineficaz.
3. Si la unidad exterior se instala cerca de la costa, debe evitarse la exposición directa al viento del mar. De lo contrario, se necesitará un tratamiento anticorrosión adicional en el intercambiador de calor.

### 1. Selección de la ubicación (Unidad exterior)

- 1) Si la unidad exterior se instala cerca de la costa, debe evitarse la exposición directa al viento del mar. Instale la unidad exterior en el lado contrario a la dirección del viento.



- 2) En el caso de que instale la unidad exterior en la costa, coloque un cortavientos para protegerlo del viento del mar.



- Debe ser lo suficientemente fuerte como el cemento para bloquear el viento del mar.
- El alto y el ancho deben superar el 150% de la unidad exterior.
- Debe mantenerse más de 70 cm (21 1/16 inchs) entre la unidad exterior y el cortavientos para permitir la libre circulación de aire.

- 3) Seleccione un lugar bien dragado.

1. Si no puede cumplir las condiciones anteriores en la instalación marina, contacte con LG Electronics para un tratamiento adicional anticorrosión.
2. La limpieza periódica con agua (más de una vez al año) del polvo o las partículas de sal atascadas en la salida de calor

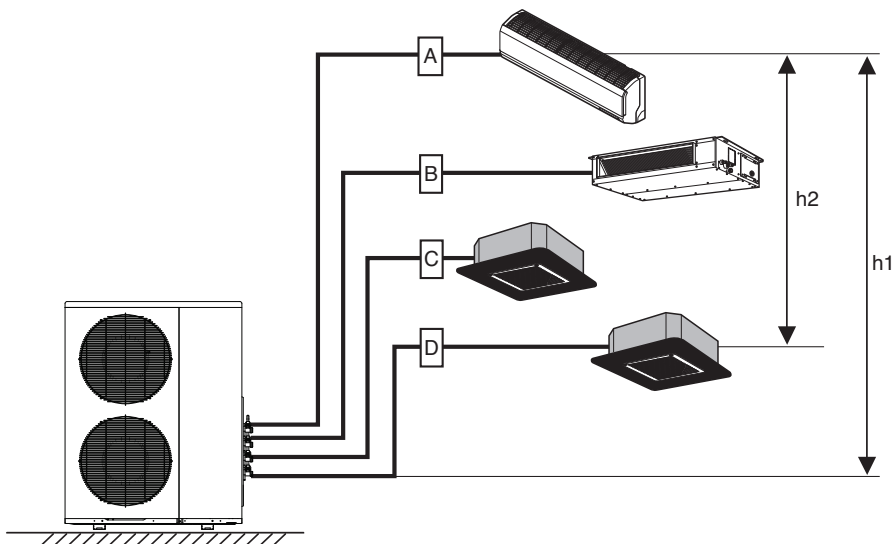
## Longitud de la tubería y elevación

### Tipo tubería múltiple

Unidad : m(ft)

Capacidad unidad exterior (Btu/h clase)	Longitud máxima total de todas las tuberías(A+B)/(A+B+C)/(A+B+C+D)	Longitud máxima total de cada tubería (A/B/C/D)	Longitud mínima de cada tubería (A/B/C/D)	Altura máxima entre cada unidad interior y exterior (h1)	Altura máxima entre unidades interiores (h2)	Combinación máx. de unidades interiores (Btu/h clase)
24k	75(246)	25(82)	3(10)	15(49)	7.5(25)	18k
36k	75(246)	25(82)	3(10)	15(49)	7.5(25)	18k

Capacidad unidad interior (Btu/h clase)	Tamaño de la tubería Unidad : mm(inch)		Longitud estándar Unidad : m(ft)	Refrigerante adicional Unidad : g/m(oz/ft)
	Gas	Líquido		
9k	9.52(3/8)	6.35(1/4)	7.5(25)	20(0.22)
12k	9.52(3/8)	6.35(1/4)	7.5(25)	20(0.22)
18k	12.7(1/2)	6.35(1/4)	7.5(25)	20(0.22)



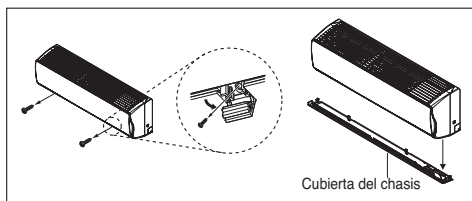
**PRECAUCIÓN:** La capacidad está basada en la longitud estándar y la longitud máxima permitida está basada en la fiabilidad.

# Instalación

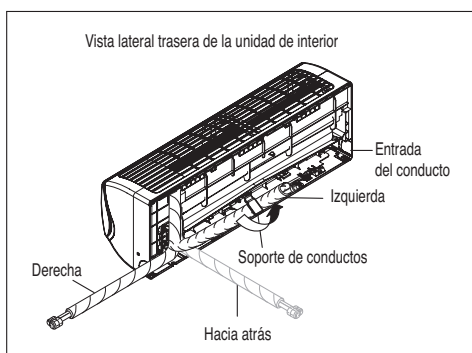
[Wall-mounted Type]

## Conexión de conductos

1. Tire del tapón de rosca de la parte inferior de la unidad de interior
2. Retire la cubierta del chasis de la unidad aflojando tornillos

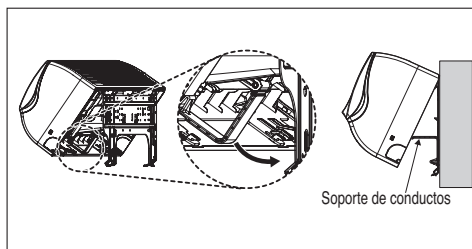
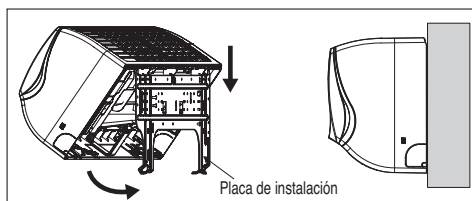


3. Tire del soporte del tubo.
4. Retire la entrada del conducto y colóquelo en su lugar



### 5. Instalación de la unidad de interior

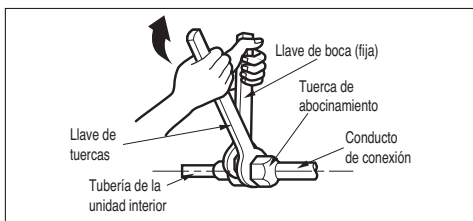
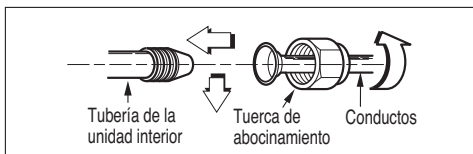
- 1) Enganche la unidad de interior en la parte superior de la placa de instalación. (Enganche los tres ganchos de la parte superior de la unidad de interior con el borde superior de la placa de instalación). Asegúrese de que los ganchos están bien sujetos moviéndolos a derecha e izquierda.
- 2) Desbloquee el soporte de conductos del chasis y móntelo entre el chasis y la placa de instalación para separar la parte inferior de la unidad de interior de la pared.



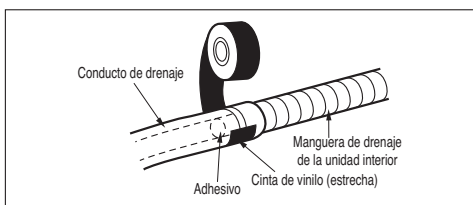
### Conexión de los conductos a la unidad interior y de la manguera de drenaje al conducto de drenaje.

1. Alinee el centro de los conductos y apriete suficientemente la tuerca de abocinamiento a mano.
2. Apriete la tuerca de abocinamiento con una llave de tuercas.

Diámetro exterior		Apriete
mm	inch	kgf.m (lbf-ft)
Ø6.35	1/4	1.8~2.5 (13~18)
Ø9.52	3/8	3.4~4.2 (24~30)
Ø12.7	1/2	5.5~6.6 (40~48)



3. Cuando extienda la manguera de drenaje en la unidad interior, instale el conducto de drenaje.

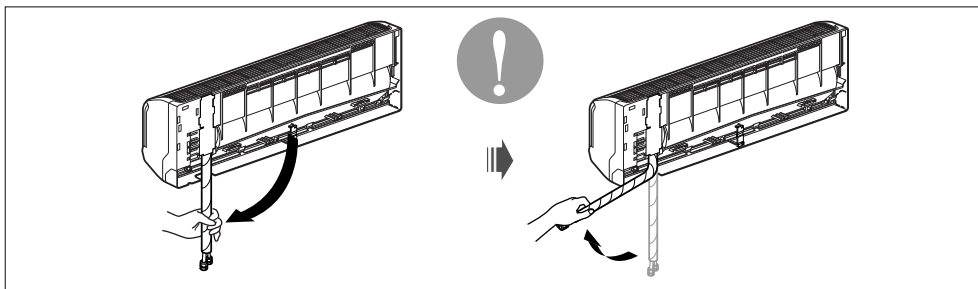


### ⚠ ATENCIÓN

Información de instalación para conductos a la izquierda.  
Siga las siguientes instrucciones.

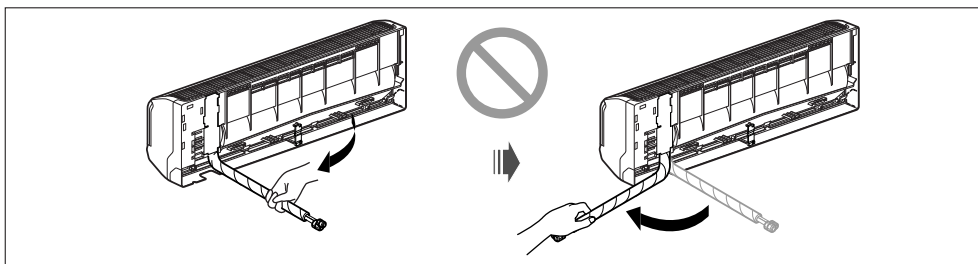
#### Correcto

- Presione sobre la parte superior de la abrazadera y desdoble suavemente las tuberías hacia abajo.



#### Incorrecto

- Si realiza giros a derecha e izquierda puede ocasionar daños a las tuberías.



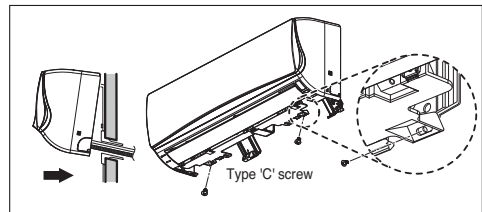
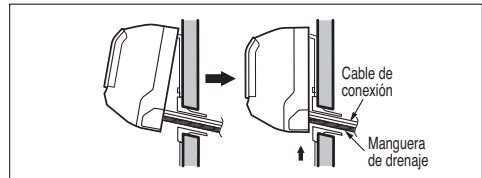
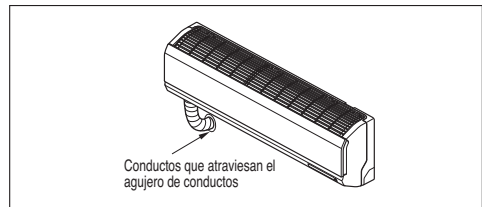
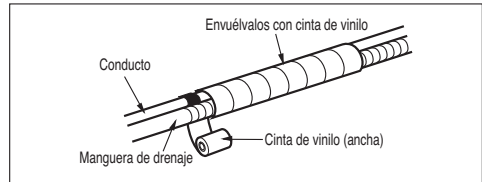
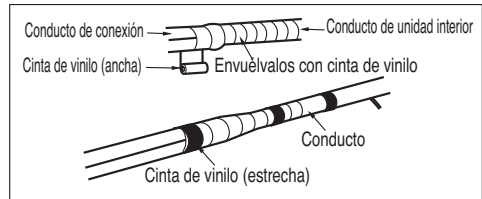
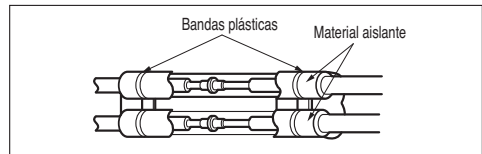
**Envuelva con material de aislamiento el tramo de conexión.**

1. Solape el aislamiento térmico del conducto de conexión y el material de aislamiento térmico del conducto de la unidad interior. Encinte el conjunto con cinta de vinilo de modo que no queden huecos.
2. Encinte el área que alberga la sección posterior del alojamiento de los conductos con cinta de vinilo.
3. Encinte el conjunto de los conductos y la manguera de drenaje con cinta de tela en el tramo en que entra en la sección posterior del alojamiento de los conductos.

**Redirija los conductos y la manguera de drenaje hacia la parte posterior del chasis.**

**Finalización de la instalación de la unidad de interior**

1. Monte el soporte de conductos en la posición original.
2. Asegúrese de que los ganchos están bien asentados en la placa de instalación moviendo la unidad a la derecha e izquierda.
3. Empuje la unidad desde la parte inferior a derecha e izquierda sobre la placa de instalación hasta que los ganchos entren en sus ranuras (escuchará un "clic").
4. Finalice el montaje atornillando la unidad a la placa de instalación usando dos tornillos de tipo "C".  
Y monte la cubierta del chasis.



**⚠ ATENCIÓN**

Si la unidad interior de tipo Split (fraccionada) está instalada en una pared con orificios o aperturas cerca o en la parte trasera de la unidad, el aire procedente del otro lado de la pared puede penetrar dentro del espacio acondicionado a través de estos orificios/ aperturas. El aire puede causar condensaciones de rocío/ agua no deseadas cuando entra en contacto con el cuerpo de la unidad interior. En consecuencia, todos los orificios o aperturas en la pared deben ser tapados correctamente para evitar el goteo del agua procedente del cuerpo de la unidad.

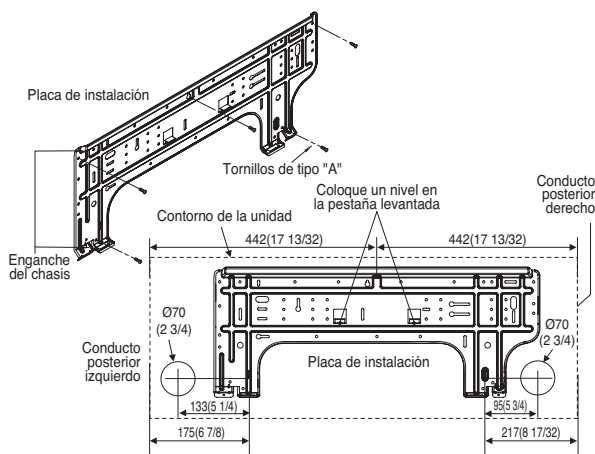
## How to mount

La pared que ha seleccionado deberá ser lo suficientemente fuerte y sólida para evitar vibraciones.

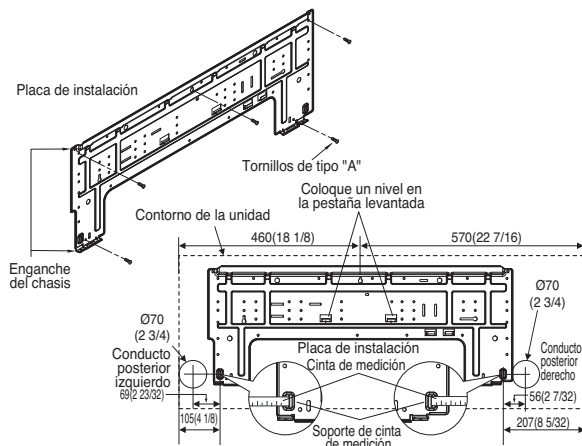
1. Monte la placa de instalación en la pared con tornillos tipo "A". Si monta la unidad en una pared de hormigón, utilice pernos de anclaje.
- Monte la placa de instalación horizontalmente alineando la línea central mediante un nivel.
2. Mida la pared y marque la línea central. También es importante tener cuidado con la ubicación de la placa de instalación en relación al cableado y salidas de potencia, ya que normalmente se realiza a través de la pared. La perforación de agujeros a través de la pared para las conexiones de canalización debe realizarse de forma segura.

Tipo interior	Capacidad (kBtu/h)	Tipo
Wall-mounted Type	9/12	Tipo 1
	18	Tipo 2

### <Type 1>



### <Type 2>



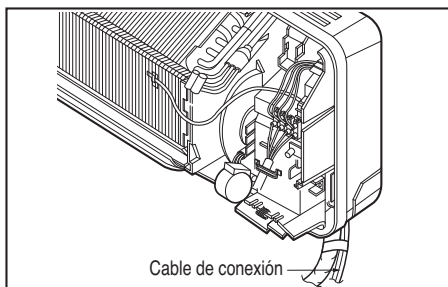


## Conexión de los cables entre las unidades interior

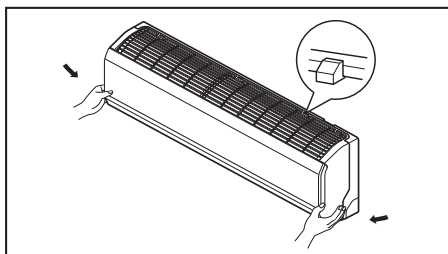
1. Conecte por separado los cables a los terminales del panel de control de acuerdo con la conexión de la unidad exterior.
  - Asegúrese de que el color de los cables de la unidad exterior y el número de terminales son los mismos que los de la unidad interior, respectivamente.

Bloque del terminal del interior				
1(L1)	2(L2)		3	4

ENTRADA DE CORRIENTE EXTERIOR



2. Añada la parrilla a la carcasa.
  - Sujete la parte inferior derecha e izquierda de la parrilla y coloque cuatro lengüetas en el borde superior interior del chasis.
  - Presione la parrilla hacia el chasis hasta que vuelva a su posición.

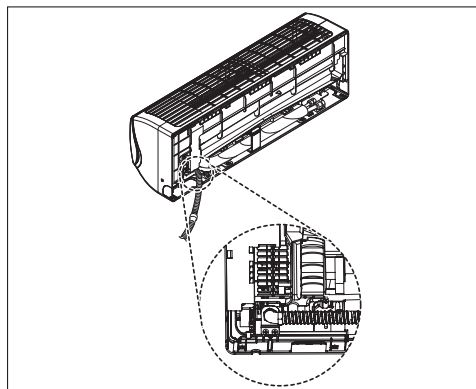
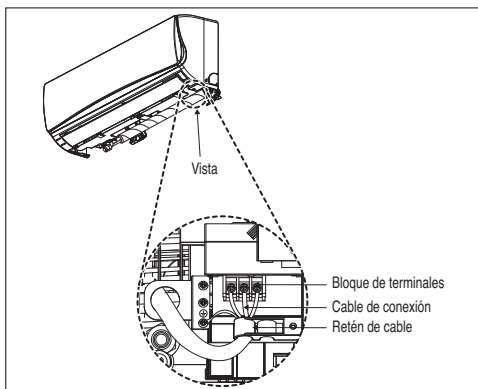
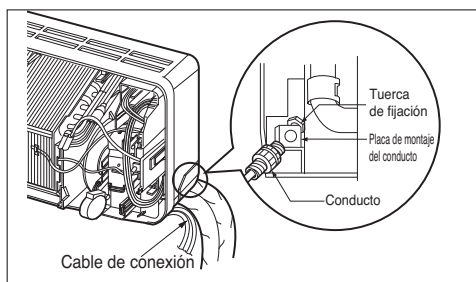
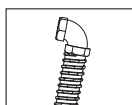


## Conexión del conducto

1. Una el conducto y el soporte del conducto mediante la tuerca.
2. Fije el cable de conexión dentro del bloque de terminales de la unidad interior y apriete el perno de ajuste para bloquear el soporte del conducto a la unidad interior.



**PRECAUCIÓN:** Debe usar el conducto de tipo codo (L).



[Tipo Conducto oculto en el techo]

**Dimensiones del techo y situación del perno de suspensión**

**Instalación de la unidad**

Instale la unidad correctamente en el techo.

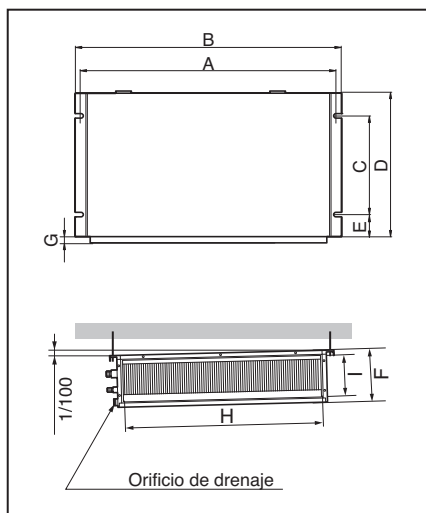
**CASO 1**

**UBICACIÓN DEL TORNILLO DE SUJECCIÓN**

- Coloque una lona de unión entre la unidad y el conducto para absorber la vibración excedente.
- Coloque un accesorio de filtro en el orificio de escape de aire.

Unidad :mm(inch)

Dimensiones	A	B	C	D	E	F	G	H	I
Capacidad (Btu/h clase)									
12k	350 (35 15/32)	900 (35 15/32)	383 (15 3/32)	570 (22 7/16)	93.5 (3 11/16)	190 (7 1/2)	20.6 (13/16)	795 (31 5/16)	163 (6 13/32)
18k	1130 (44 1/2)	1180 (46 1/2)	383 (15 3/32)	570 (22 7/16)	93.5 (3 11/16)	190 (7 1/2)	20.6 (13/16)	1065 (41 15/16)	163 (6 13/32)

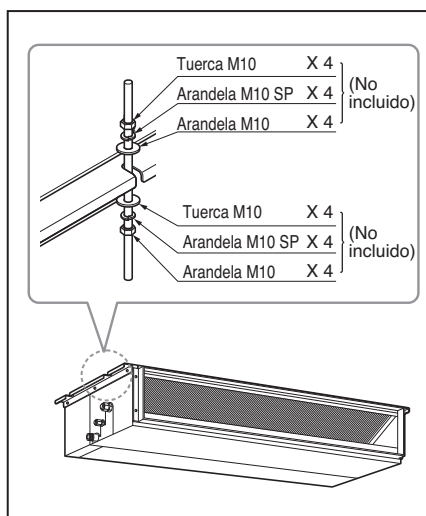


**CASO 2**

- Coloque la unidad inclinada sobre el orificio de drenaje tal y como aparece en la figura para facilitar el drenaje del agua.

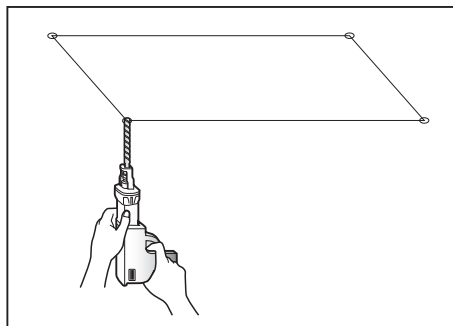
**UBICACIÓN DEL TORNILLO DE SUJECCIÓN**

- Donde la unidad esté nivelada y que pueda soportar el peso de la unidad.
- Donde la unidad pueda soportar su vibración.
- Donde se pueda llevar a cabo fácilmente el servicio.

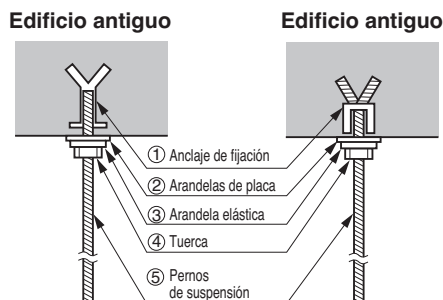


## How to mount

- Seleccione y marque la posición para los pernos de sujeción.
- Taladre el orificio para el anclaje de fijación en el techo.



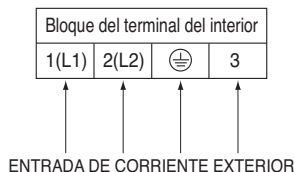
- Inserte el anclaje de fijación y la arandela en los pernos de suspensión para fijar los pernos de suspensión en el techo.
- Monte los pernos de sujeción firmemente al anclaje de sujeción.
- Asegure las placas de instalación en los pernos de suspensión (ajuste aproximadamente el nivel) utilizando tuercas, arandelas y arandelas elásticas.



**⚠ PRECAUCIÓN:** Apriete la tuerca y el perno para evitar la caída de la unidad.

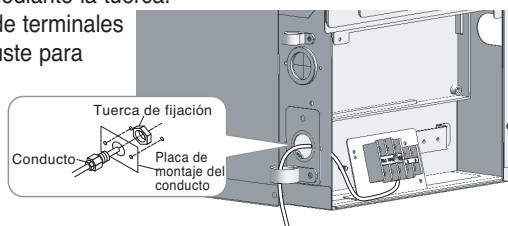
## Conexión de los cables entre las unidades interior

- Conecte los cables a las terminales en el tablero de control de modo individual de acuerdo con la conexión de la unidad externa.
- Asegúrese de que el color de los cables de la unidad exterior y el número de la terminal sean los mismos que los respectivos de la unidad interior.



## Conexión del conducto

1. Retire el producto de goma del orificio fijado a la unidad interior.
2. Una el conducto y el soporte del conducto mediante la tuerca.
3. Fije el cable de conexión dentro del bloque de terminales de la unidad interior y apriete el perno de ajuste para bloquear el soporte del conducto a la unidad interior.

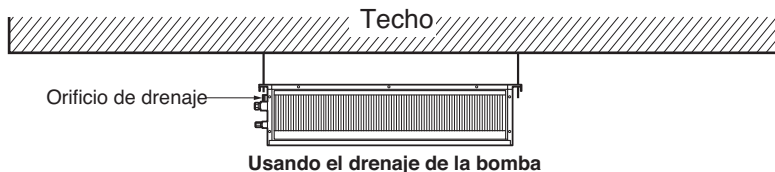


## PRECAUCIÓN

1. La inclinación de instalación de la unidad interior es muy **importante para el drenaje** del aparato acondicionador de aire con conductos.
2. El grosor mínimos del aislante para el tubo conector será de 19mm(1/32 inch).

### Vista frontal

- La unidad debe estar horizontal o inclinada hacia el tubo de drenaje conectado a ella cuando la instalación ha terminado.



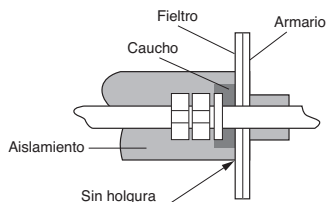
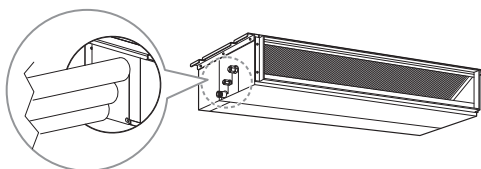
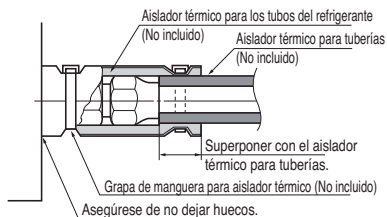
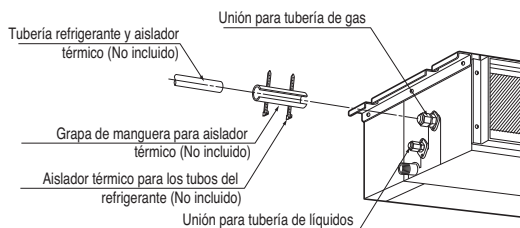
## AISLAMIENTO, OTROS

Aisle completamente la junta y los tubos

### AISLAMIENTO TÉRMICO

Todos los aislamientos térmicos deben cumplir los requisitos locales.

#### UNIDAD INTERIOR



### ANÁLISIS Y COMPROBACIÓN

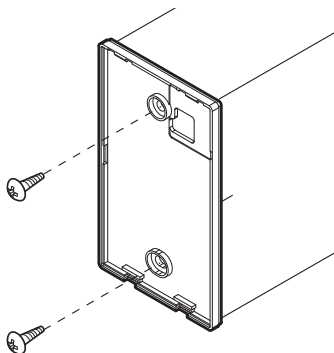
#### ■ Cuando todo esté instalado, compruebe el funcionamiento y las operaciones.

- Distribución del aire ..... ¿La circulación de aire es buena?
- Drenaje ..... ¿El drenaje es suave y no se condensa?
- Fuga de gas ..... ¿Las tuberías están conectadas correctamente?
- Cableado ..... ¿Los cables están conectados correctamente?
- Tornillo de cierre ..... ¿El tornillo de cierre del compresor está aflojado?
- Aislamiento ..... ¿Ha sido completamente aislada la unidad?
- Tierra ..... ¿Ha sido seguramente puesta a tierra la unidad?

## Instrucciones de instalación

**Coloque y fije el control remoto con los tornillos incluidos en el lugar donde desee ubicarlo.**

- Instálelo teniendo cuidado de no doblarlo, ya que causaría una instalación incorrecta. Coloque el panel de control cerca de la caja de restauración en caso de existir una.

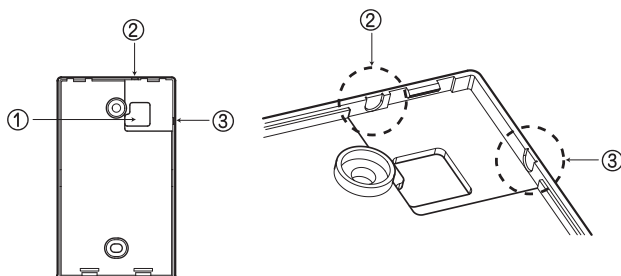


**El cable del control remoto con cable puede instalarse en tres direcciones.**

- Dirección de instalación: superficie de la caja, superior derecha
- Si el cable del control remoto se coloca en la parte superior derecha, instálelo tras retirar la guía del cable del control remoto.

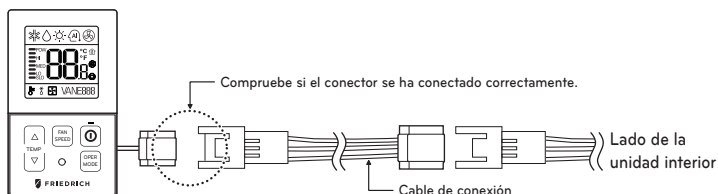
\* Retire la ranura de la guía con extremo largo

- ① Fijación a la superficie de la pared
- ② Ranura de guía de parte superior
- ③ Ranura de guía de parte derecha



<Ranuras de guía del cable>

## Conecte la unidad de interior y el control remoto con el cable conexión.



Use un cable de extensión si la distancia entre el control remoto y la unidad de interior es superior a 10m.

Fije la parte superior del control remoto en el panel de instalación colocado sobre la pared, como muestra la imagen siguiente y, a continuación, conecte el panel de instalación presionando en la parte inferior.

- Conéctelo de forma que no quede separación entre en el control remoto y la parte superior, inferior, derecha o izquierda del panel de instalación.

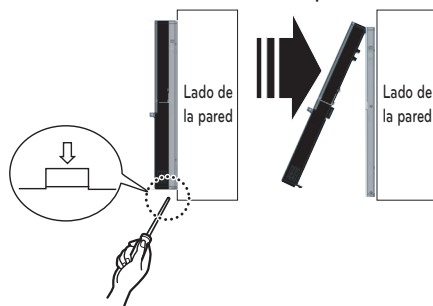
<Orden de conexión>



Al separar el control remoto del panel de instalación, como muestra la imagen siguiente, tras insertar el destornillador en el orificio de separación inferior, gírelo en el sentido de las agujas del reloj y el control remoto se separará.

- Existen dos orificios de separación. Separe un orificio cada vez de forma individual.
- Tenga cuidado de no dañar los componentes interiores al separar el control remoto.

<Orden de separación>



### **PRECAUCIÓN:**

No instale el control remoto con cable empotrado en la pared.  
(Podría dañar el sensor de temperatura.)

Instale el cable con una extensión no superior a 50 m.

(De lo contrario, podrían producirse errores de comunicación.)

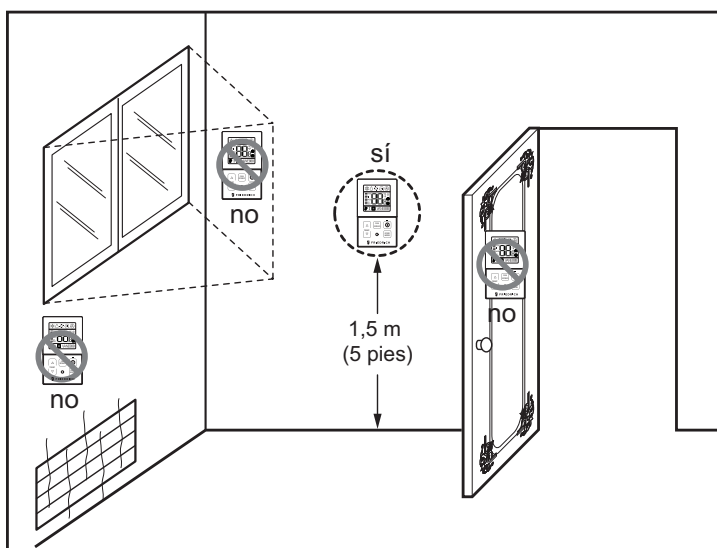
- Al instalar el cable de extensión, compruebe la dirección de conexión del conector del lado del control remoto y el lado del producto para realizar una instalación correcta.
- Si instala el cable de extensión en la dirección opuesta, no se conectará el conector.
- Especificación del cable de extensión: 2547 1007 22# 2 – 3 hilos apantallado 5 o superior.
- Aplique un conducto no combustible totalmente cerrado en el caso que el código de la construcción local requiera el uso pleno del cable.

## Instalación del control remoto por cable

- Dado que el sensor de temperatura se encuentra en el control remoto, la caja del control remoto deberá instalarse en un lugar alejado de la luz solar directa, la alta humedad y el flujo directo de aire frío para mantener una temperatura adecuada del espacio. Instale el control remoto a 1,5m (5pies) del suelo en una zona con una buena circulación de aire y una temperatura media.

### No instale el control remoto en un lugar donde pueda verse afectado por:

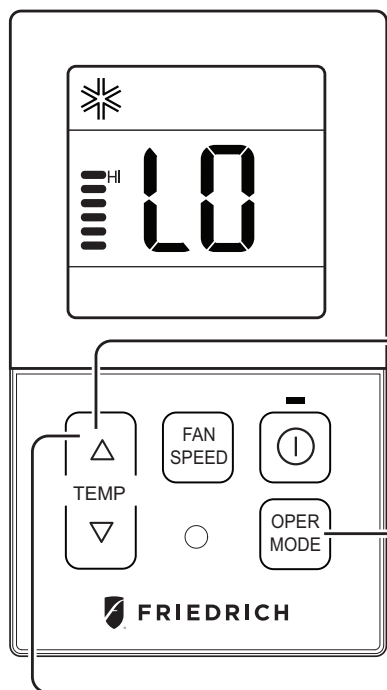
- Corrientes de aire o puntos ciegos detrás de las puertas o en las esquinas.
- Aire frío o caliente de los conductos.
- Calor irradiado del sol o de dispositivos de calor.
- Conductos o chimeneas empotradas.
- Zonas sin controlar como una pared exterior detrás del control remoto.
- Este control remoto está equipado con una pantalla LED de siete segmentos. Para leer correctamente los indicadores luminosos del control remoto, debe instalarse adecuadamente como se muestra en la Fig.1. (La altura estándar es a 4~5 pies(1.2~1.5 m) del suelo.)







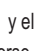
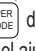
[Fig.1]

## Ajuste de instalador – Modo de prueba de funcionamiento

Tras la instalación del producto, debe realizarse una prueba de funcionamiento. Para más información sobre esta operación, consulte el manual del producto.



- 1** Cuando se pulsaran al mismo tiempo el botón  y el botón  durante más de 3 segundos, el sistema entra en el modo de ajustes de instalador.

  - Tras acceder a este modo, seleccione el valor del código del modo de prueba de funcionamiento pulsando el botón .
  - \* Valor del código del modo de prueba de funcionamiento: 01
- 2** Al pulsar el botón , se realiza la prueba de funcionamiento, y se muestra como en la figura de la izquierda.
- 3** Cuando se pulsaran al mismo tiempo el botón  y el botón  durante más de 3 segundos tras haberse realizado el ajuste, sale del modo de ajustes de instalador.

  - Si no se pulsa ningún botón durante más de 25 segundos, también se sale del modo de ajustes de instalador.
- 4** Cuando han transcurrido aprox. 18 minutos tras el inicio de la prueba de funcionamiento, el sistema se para automáticamente y queda en modo de reposo.

  - Si se pulsa algún botón durante la prueba de funcionamiento, se finaliza ese modo de funcionamiento.

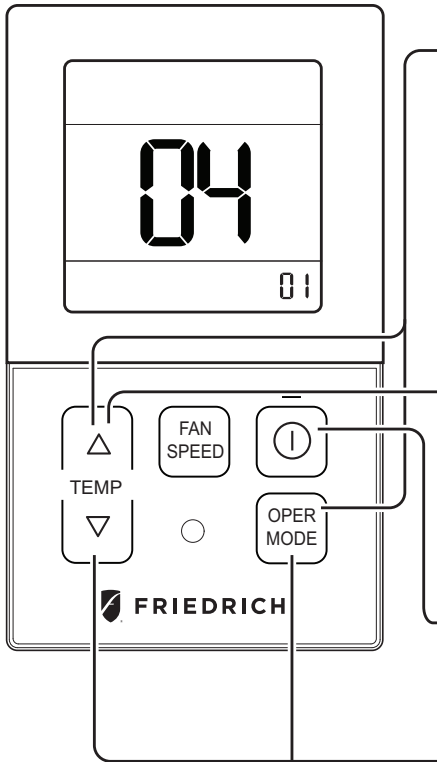
• ¿Qué es el modo de prueba de funcionamiento?

- Significa el funcionamiento del producto en frío, viento fuerte, y Comp sin realizar un control de la temperatura interior para confirmar el estado de instalación durante la instalación del producto.



## Ajuste de instalador – Termistor

Con esta función se selecciona el sensor de temperatura para conocer la temperatura interior.



**1** Cuando se pulsaran al mismo tiempo el botón y el botón durante más de 3 segundos, el sistema entra en el modo de ajustes de instalador.

- Tras acceder al modo de ajuste de instalador, seleccione el valor del código de ajuste del sensor del termistor pulsando el botón .

\* Código de valor de selección del sensor de termistor: 04

**2** Seleccione el valor de ajuste deseado con el botón subir () bajar () temperatura.



Valor de código

Valor

\*Valor de ajuste  
01: Control remoto  
02: Unidad de interior  
03: 2TH

**3** Al pulsar el botón , se configurará la ubicación del sensor de termistor establecida en ese momento.

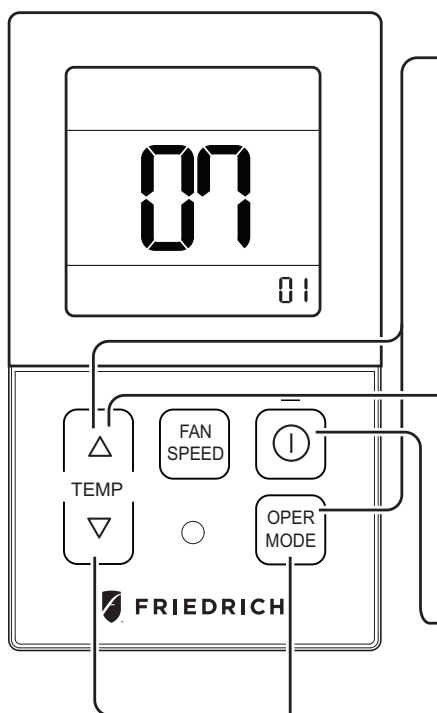
**4** Cuando se pulsaran al mismo tiempo el botón y el botón durante más de 3 segundos tras haberse realizado el ajuste, sale del modo de ajustes.

- Si no se pulsa ningún botón durante más de 25 segundos, también se sale del modo de ajustes de instalador.

- Debido a que la característica de la función '2TH' puede ser diferente según los productos, consulte el manual de instrucciones del producto para más información.

## Ajustes de instalador - Ajustes de grupo

Es una función que permite realizar en ajustes en control de grupos, o bien en control con dos controles remotos.

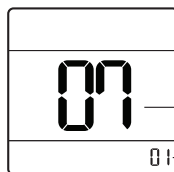


**1** Cuando se pulsaran al mismo tiempo el botón y el botón durante más de 3 segundos, el sistema entra en el modo de ajustes de instalador.

- Tras acceder al modo de ajuste de instalador, seleccione el valor del código de ajuste de altura de techo pulsando el botón de modo de operación.

\* número de código de configuración de Maestro/Esclavo del control remoto:07

**2** Select the desired setting value with the temperature up() , down() button.



\*Valor de ajuste  
00:Esclavo  
01:Maestro

**3** Al pulsar el botón , se configurará el valor de presión estática establecido en ese momento.

**4** Cuando se pulsaran al mismo tiempo el botón y el botón durante más de 3 segundos tras haberse realizado el ajuste, se sale del modo de ajustes.

- Si no se pulsa ningún botón durante más de 25 segundos, también se sale del modo de ajustes de instalador.

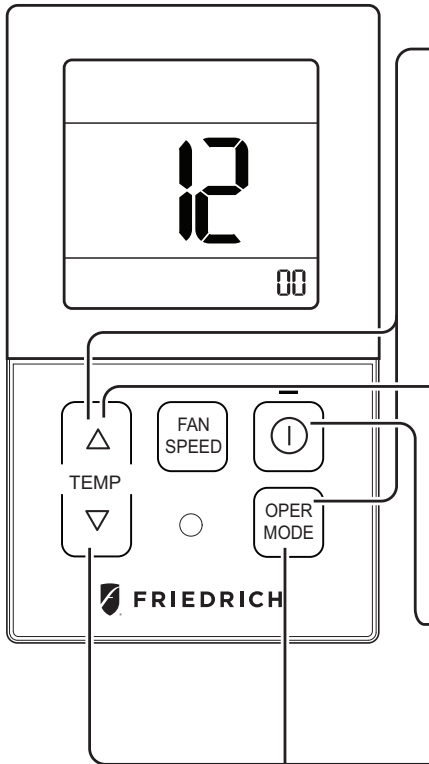
Control remoto	Función
Maestro	La unidad de interior funciona basándose en el control remoto maestro del control de grupo (Se entrega desde el almacén en configuración de maestro.)
Esclavo	En el control de grupo, configure todos los controles remotos como esclavos, excepto el maestro.

\* Para más información, consulte 'control de grupo'.

- Cuando se controlen en grupos, las siguientes funciones podrían estar restringidas: los ajustes de manejo básico, el control del caudal de aire suave/medio/intenso, el ajuste del bloqueo del control remoto, los ajustes de hora y otras funciones.

## Ajustes de instalador – Cambio Celsius / Fahrenheit

Esta función se utiliza para cambiar el display entre Celsius y Fahrenheit.  
(Optimizado sólo para EE.UU.)

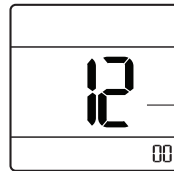


**1** Cuando se pulsaran al mismo tiempo el botón y el botón durante más de 3 segundos, el sistema entra en el modo de ajustes de instalador.

- Tras acceder al modo de ajuste de instalador, seleccione el valor del código de ajuste de altura de techo pulsando el botón de modo de operación.

\* Valor de código de ajuste Celsius/Fahrenheit :07

**2** Seleccione el valor de ajuste deseado con el botón subir () bajar () temperatura.



\*Valor de ajuste  
00:Celsius  
01:Fahrenheit

**3** Al pulsar el botón , se configurará el valor de celsius/fahrenheit establecido en ese momento.

**4** Cuando se pulsaran al mismo tiempo el botón y el botón durante más de 3 segundos tras haberse realizado el ajuste, sale del modo de ajustes.

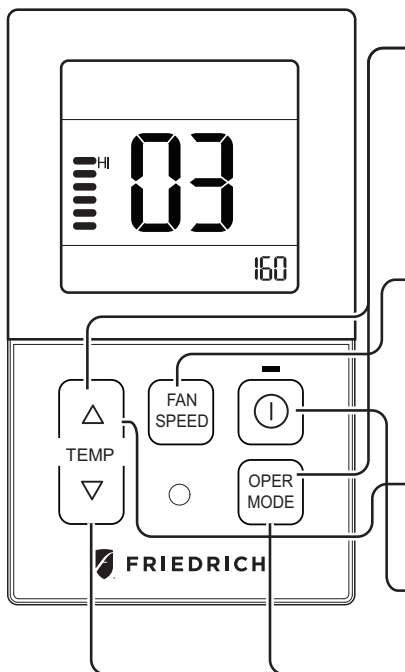
- If there isn't any button input for more than 25 seconds, the installer setting mode will also be released.

- Cuando se pulse el botón subir() , bajar() temperatura en modo Fahrenheit, la temperatura subirá/bajará 2 grados.

## Ajuste de instalador – E.S.P.

Es la función que decide la fuerza del viento para cada nivel y porque esta función hace la instalación más fácil.

- Si se ajusta el ESP de forma incorrecta, el aire acondicionado podría no haber funcionado correctamente.
- Este ajuste debe ser realizado por un técnico cualificado.



**1** Cuando se pulsan al mismo tiempo el botón y el botón durante más de 3 segundos, el sistema entra en el modo de ajustes de instalador.

- Tras acceder al modo de ajustes de instalador, seleccione el valor del código de E.S.P. pulsando el botón .

\* Valor de código E.S.P. :03

**2** Seleccione el caudal de aire con el botón . Cuando pulse el botón , se indicará [SLo→Lo→Med→Hi→Po].

**3** Seleccione el valor del caudal de aire deseado con el botón subir () bajar () temperatura.

\* Rango de valores E.S.P. : 0~255

- El valor de E.S.P. se indicará en la sección superior derecha de la ventana del display.

**4** Al pulsar el botón , se configurará el valor E.S.P. establecido en ese momento.

**5** Cuando se pulsan al mismo tiempo el botón y el botón durante más de 3 segundos tras haberse realizado el ajuste, sale del modo de ajustes.

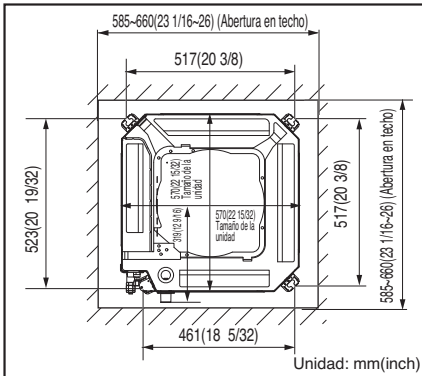
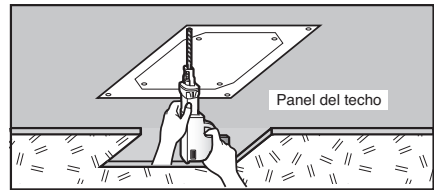
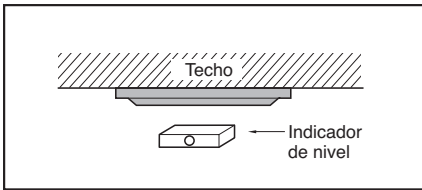
- Si no se pulsa ningún botón durante más de 25 segundos, también se sale del modo de ajustes de instalador.

Presión estática (mmAq)		0	1	2	3	4
Nombre Modelo	Paso(H/M/L)	Valor de ajuste				
MD12Y3JM	9.5 CMM(335cfm)	82	90	99	109	118
	8.5 CMM(300cfm)	75	84	94	104	114
	7.5 CMM(265cfm)	69	77	88	99	110
MD18Y3JM	15 CMM(530cfm)	90	97	105	114	122
	13.5 CMM(477cfm)	82	90	99	109	119
	11.5 CMM(406cfm)	75	84	93	103	114

## [Aire acondicionado de Tipo Cassete]

### Dimensiones de abertura del techo y ubicación del perno de suspensión

- Las dimensiones del modelo de papel para la instalación son las mismas que las de la abertura del techo.



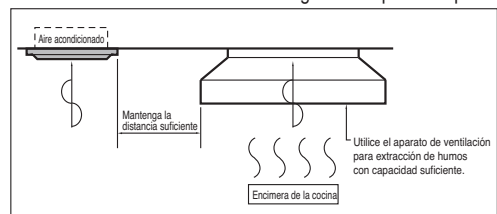
- Elija y marque la posición de los pernos de fijación y del orificio de entubado.
- Determine la posición de los pernos de fijación con ligera inclinación hacia la dirección de drenaje, teniendo en cuenta la dirección de la manguera de drenaje.
- Perfore en la pared el orificio del perno de fijación.

### ⚠ PRECAUCIÓN:

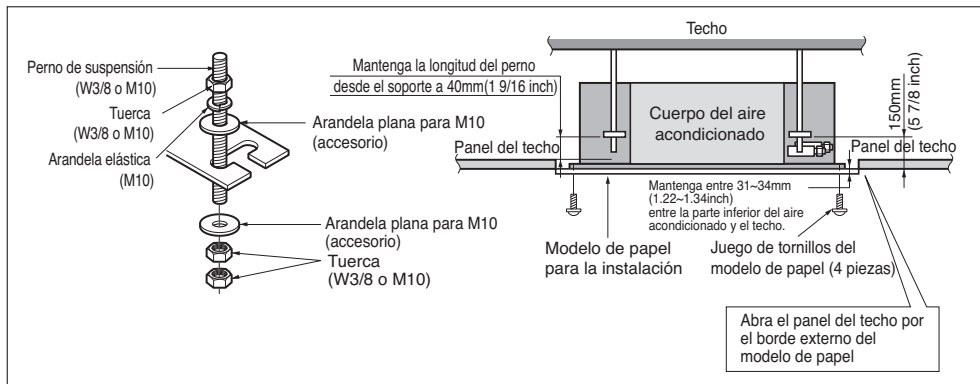
- Este aire acondicionado utiliza una bomba de drenaje.
- Instale la unidad en posición horizontal utilizando un indicador de nivel.
- Durante la instalación, deberá tener cuidado de no dañar los cables eléctricos.

### AVISO

- Evite la instalación en los lugares indicados a continuación.
- Restaurantes y cocinas en los que exista una cantidad considerable de vapor de grasa y en los que se genere polvo. Estas circunstancias pueden disminuir la eficacia de intercambio de calor, goteo de agua o provocar el funcionamiento incorrecto de la bomba de drenaje. En estos casos, tome las siguientes medidas:
    - Asegúrese de que el aparato de ventilación tiene la capacidad suficiente para todos los gases tóxicos generados en este tipo de lugares.
    - Asegúrese de que la distancia a la cocina es suficiente e instale el aire acondicionado en un lugar en el que no aspire vapor con grasas.
  - Intente no instalar el aire acondicionado en lugares en los que se generen grasas o polvo de hierro.
  - Evite los lugares en los que se produzcan gases inflamables.
  - Evite los lugares en los que se produzcan gases nocivos.
  - Evite los lugares cercanos a generadores de alta frecuencia.



## Cómo fijar



• Deberán comprarse las piezas siguientes.

- ① Perno de suspensión - W 3/8 o M10
- ② Tuerca - W 3/8 o M10
- ③ Arandela elástica - M10
- ④ Arandela de la placa - M10



### PRECAUCIÓN:

**Apretar la tuerca y el perno para evitar que la unidad se caiga.**

## Conexión de los cables entre las unidades interior

• Abra la cubierta de la caja de control y conecte el cable del mando a distancia y los cables de corriente del interior.

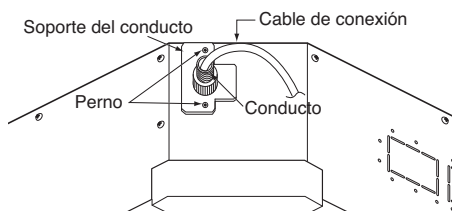
### Serie TQ/TR

Bloque de terminales de la unidad interior				
1(L1)	2(L2)	3	4	5

↑ ↑ ↑  
ENTRADA DE CORRIENTE EXTERIOR

## Conexión del conducto

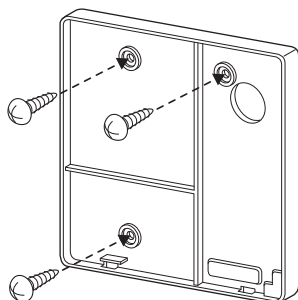
- Retire el producto de goma del orificio fijado a la unidad interior.
- Una el conducto y el soporte del conducto mediante la tuerca.
- Fije el cable de conexión dentro del bloque de terminales de la unidad interior y apriete el perno de ajuste para bloquear el soporte del conducto a la unidad interior.



## Instalación del mando a distancia (Opcional)

### 1. Utilice los tornillos facilitados para colocar y fijar el controlador remoto en el lugar deseado.

- Instálelo teniendo cuidado de no doblarlo, ya que resultaría en una instalación incorrecta. Coloque el panel de control cerca de la caja de restauración, en caso de existir una.
- Instale el producto de modo que no tenga un claro con el costado de la pared y evite agitarlo después de la instalación.



### 2. El cable del controlador remoto por cable se puede instalar en tres direcciones.

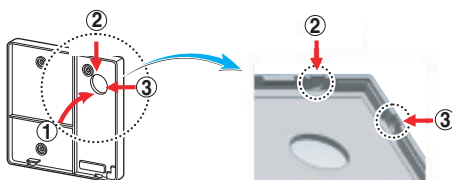
- Dirección de instalación: la superficie de la caja de recuperación, superior derecha.
- Si el cable del controlador remoto se coloca en el lado derecho y en la parte superior, instálelo después de retirar la guía del cable del controlador remoto.

\* Retirar la ranura guía con la parte larga.

① Fijación a la superficie de la pared

② Ranura guía de parte superior

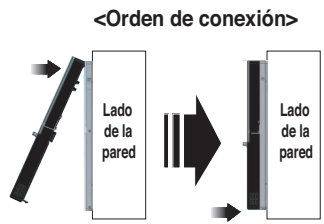
③ Ranura guía de parte derecha



< Ranuras guía del cable >

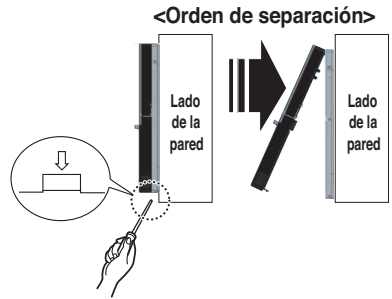
**3. Fije la parte superior del controlador remoto en el panel de instalación acoplado a la superficie de la pared, como muestra la imagen siguiente y, a continuación, conecte el panel de instalación pulsando en la parte inferior.**

- Conéctelo de forma que no quede ninguna separación entre en el controlador remoto y la parte superior, inferior, derecha o izquierda del panel de instalación.
- Antes de ensamblar con el tablero de instalación arregle el Cable para que no interfiera con las partes del circuito.



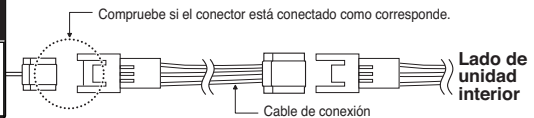
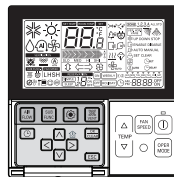
**Al separar el controlador remoto del panel de instalación, como muestra la imagen siguiente, después de insertar el destornillador en el orificio de separación inferior, gírelo en el sentido de las agujas del reloj y el controlador remoto se separará.**

- Existen dos orificios de separación. Separe cada orificio de forma individual.
- Tenga cuidado de no dañar los componentes interiores al realizar la separación.



**4. Conecte la unidad de interior y el controlador remoto utilizando el cable de conexión.**

12V	Red
Cable de señal	Yellow
GND (Puesta a tierra)	Black



**⚠ PRECAUCIÓN**

**Al instalar el controlador remoto por cable, no lo oculte en la pared. (Podría dañar el sensor de temperatura). No coloque un cable de 50m(164ft) metros o superior. (Podría ocasionar un error de comunicación).**

- Al instalar el cable de extensión, compruebe la dirección de conexión del conector del lateral del controlador remoto y del lateral del producto para una instalación correcta.
- Si instala el cable de extensión en la dirección opuesta, el conector no se conectará.
- Especificaciones del cable de extensión: 2547 1007 22, 2 núcleos, blindaje 3, 5 o superior.

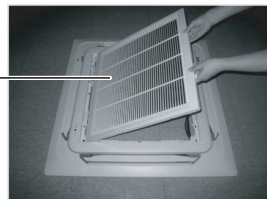


## Instalación del Panel Decorativo

**El panel decorativo incluye sus propias instrucciones de instalación.  
Antes de instalar el panel decorativo, retire siempre la plantilla de papel.**

1. Retire el material de embalaje y desmonte la rejilla de entrada de aire del panel frontal.

Rejilla frontal



2. Desmonte los cubre-esquinas del panel.

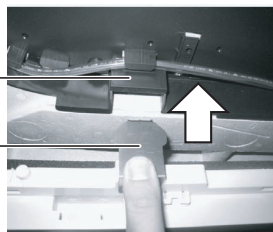
Cubre-esquinas



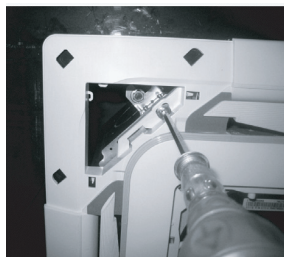
3. Ajuste el panel sobre la unidad introduciendo los ganchos como ilustra la imagen.

Clip de enganche

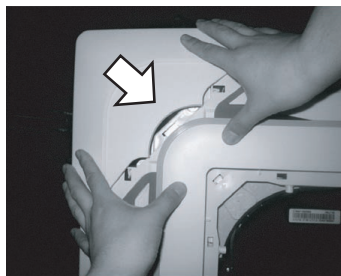
Gancho



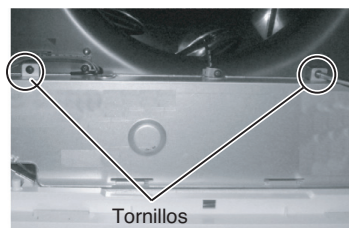
4. Introduzca dos tornillos en las esquinas diagonales del panel. No apriete aún los tornillos. (Los tornillos de fijación se incluyen en la caja de la unidad interior). Compruebe la alineación del panel con el techo. Es posible ajustar la altura mediante el uso de pernos de suspensión, como ilustra la imagen. Introduzca los otros dos tornillos y apriételes todos al máximo.



5. Ajuste los cubre-esquinas..

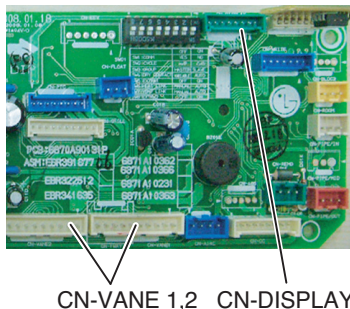


6. Retire los dos tornillos de control de la cubierta del panel.

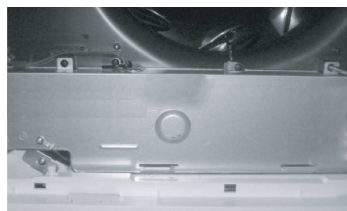


7. Una un conector de visualización y dos conectores de control de álabes del panel frontal a la PCI de la unidad interior.

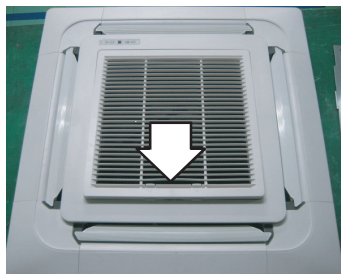
La marca de posición en la PCI es:  
Conector de visualización: CN-DISPLAY  
Conector de control de álabes: CN-VANE 1,2



8. Cierre la cubierta de la caja de control.



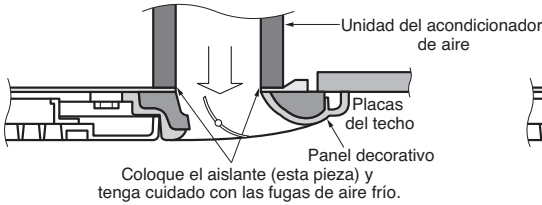
9. Instale la rejilla de entrada de aire y el filtro en el panel.



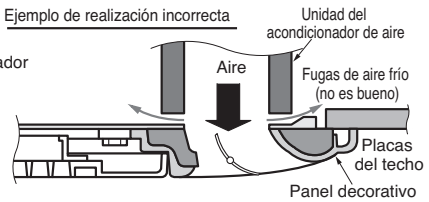


**PRECAUCIÓN: Una fugas de aire frío puede provocar condensación. Asegúrese de que el panel esté convenientemente sellado.**

Ejemplo de realización correcta



Ejemplo de realización incorrecta

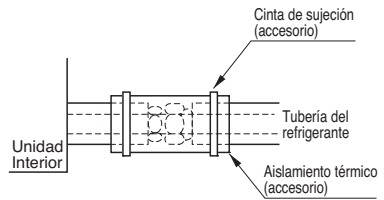


## AISLAMIENTO TÉRMICO

1. Utilice el material de aislamiento térmico para la tubería del refrigerante ya que tiene una excelente resistencia térmica [más de 120°C(248°F)].
2. Precauciones en condiciones de gran humedad:

Este acondicionador de aire ha sido ensayado de acuerdo con las Condiciones Estándares KS con Humedad y se ha confirmado que no tiene ningún defecto. Sin embargo, si se pone en funcionamiento durante un periodo prolongado de tiempo en una atmósfera con gran humedad [temperatura del punto de condensación superior a 23°C(73.4°F)], es posible que caigan gotas de agua. En este caso, añada material de aislamiento térmico según el procedimiento siguiente:

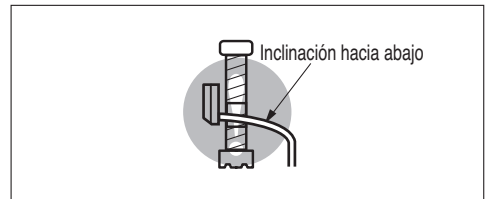
- Material de aislamiento térmico que se debe preparar: Lana de vidrio adiabático con un espesor entre 10 y 20 mm.
- Pegue la lana de vidrio en todos los acondicionadores de aire que estén ubicados en el techo.
- Además del aislamiento térmico normal (espesor superior a 8 mm) para la tubería del refrigerante (tubería del gas: tubo grueso) y para la tubería de drenaje, añada más material con un espesor entre 10(0.4) y 20 mm(0.8 inch).



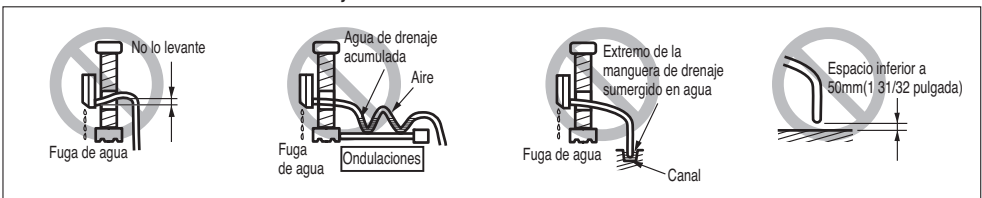
## Tuberías de drenaje

### [Wall mounted Type]

1. La manguera de drenaje debe dirigirse hacia abajo para facilitar el drenaje.



2. No instale las tuberías de drenaje.



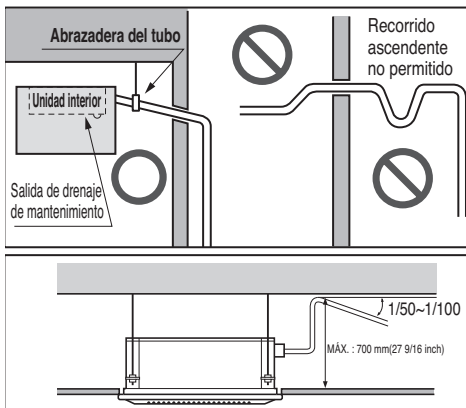
## [Cealing Concealed Duct/Cealing Cassette Type]

- El entubado de drenaje debe tener una pendiente hacia abajo (de 1/50 a 1/100): asegúrese de que la pendiente no suba y baje para evitar la inversión del flujo.
- Durante la conexión del entubado de drenaje, tenga cuidado de no forzar demasiado la salida de drenaje de la unidad interior.
- El diámetro externo de la conexión de drenaje de la unidad interior es de 32mm(1 1/4 inchs).

Material de los tubos: Tubo VP-25 y accesorios de policloruro de vinilo

- No olvide colocar el aislamiento térmico en el entubado de drenaje.

Material de aislamiento térmico: Espuma de polietileno con grosor por encima de 8mm(5/16 inchs).

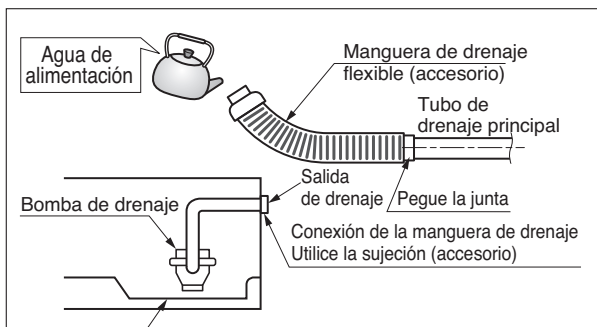


### Prueba de drenaje

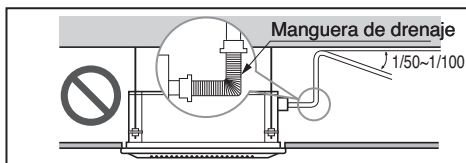
El aire acondicionado utiliza una bomba de drenaje para drenar el agua.

Siga los pasos siguientes para probar el funcionamiento de la bomba de drenaje:

- Conecte el tubo de drenaje principal al exterior y déjelo de forma provisional hasta que concluya la prueba.
- Vierta agua por la manguera de drenaje flexible y compruebe si hay fugas en los tubos.
- Asegúrese de comprobar el correcto funcionamiento de la bomba de drenaje y el ruido una vez completado el cableado eléctrico.
- Una vez concluida la prueba, conecte la manguera de drenaje flexible a la salida de drenaje de la unidad interior.



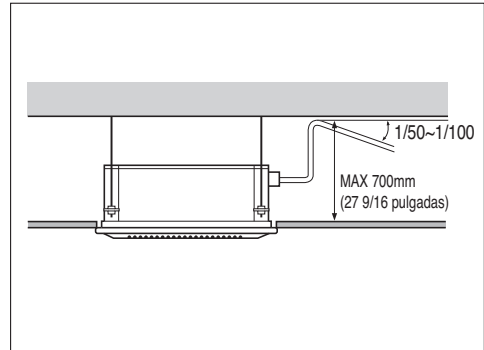
**! PRECAUCIÓN:**  
**La manguera de drenaje suministrada no debería ser curvada, ni atornillada.**  
**El curvado o atornillado de la manguera puede causar una fuga de agua.**



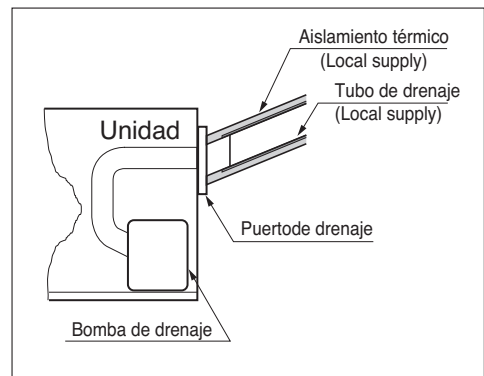
\* La imagen pueden variar según el modelo

## Atención

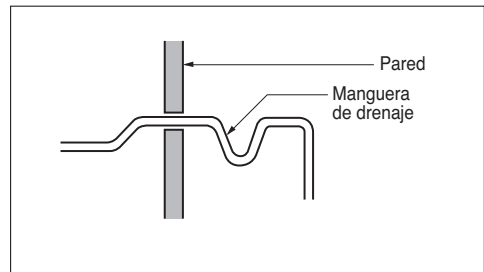
1. La altura de drenaje posible es hasta 700mm(27 9/16 inchs). Por lo tanto, deberá instalarse por debajo de 700mm(27 9/16 inchs).
2. Mantenga la manguera de drenaje hacia abajo con una inclinación máxima de 1/50-1/100.  
Ex) longitud : 100 inch  $\Rightarrow$  altura : 1~2 inch.  
Evite cualquier subida o retorno de flujo.



3. Deberá existir en todo momento un aislador térmico de 5mm(3/16 inch) o más de grosor para el tubo de drenaje.



4. Prohibida la colocación hacia arriba.
5. Asegúrese de comprobar el correcto funcionamiento de la bomba de drenaje y el ruido extraño una vez completado el cableado eléctrico.



# Trabajo de abocinado y conexión de las tuberías

## Trabajo de abocinado

La principal causa de fugas de gas es un defecto en el proceso de conexión por abocardado. Realice las conexiones por abocardado del siguiente modo.

### 1) Corte las tuberías y el cable

- Utilice el kit de accesorios para las tuberías o las tuberías que adquiera usted.
- Mida la distancia entre la unidad interior y la exterior.
- Corte las tuberías más largas que las medidas tomadas.
- Corte el cable 1.5m(4.9ft) más largo que la longitud del tubo.

### 2) Elimine las irregularidades

- Elimine totalmente las irregularidades del tubo por donde ha sido cortado.
- Coloque el extremo del tubo de cobre hacia abajo mientras elimina las irregularidades para evitar que caigan impurezas en el tubo.

### 3) Colocación de la tuerca

- Saque las tuercas abocardadas que se encuentran en las unidades interiores y exteriores y colóquelas en la tubería una vez eliminadas las irregularidades.(No es posible colocarlas después del proceso de abocardado)

### 4) Abocardado

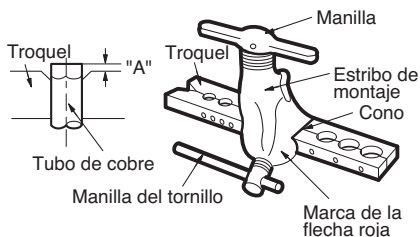
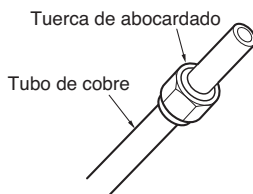
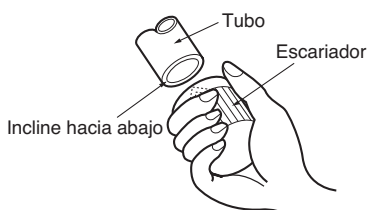
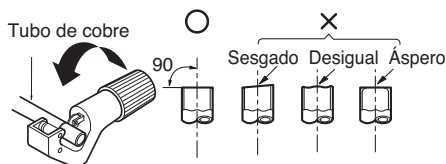
- Proceda al abocardado usando las herramientas de abocardar como se muestra a continuación.

Diámetro exterior		A	
mm	inch	mm	inch
Ø6.35	1/4	1.1~1.3	0.04~0.05
Ø9.52	3/8	1.5~1.7	0.06~0.07
Ø12.7	1/2	1.6~1.8	0.06~0.07

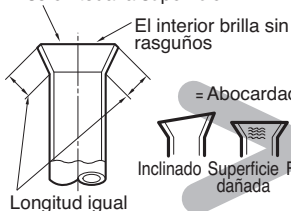
Sujete firmemente el tubo en un troquel como se indica en la tabla de dimensiones anterior.

### 5) Comprobación

- Compare el resultado del abocardado con la figura.
- Si observa que el abocardado es defectuoso, corte la sección abocardada y proceda de nuevo a realizar la operación.



Liso en toda la superficie



= Abocardado incorrecto =



## Conexión de la canalización - Exterior

Alinee el centro de la canalización y apriete suficientemente la tuerca cónica manualmente.

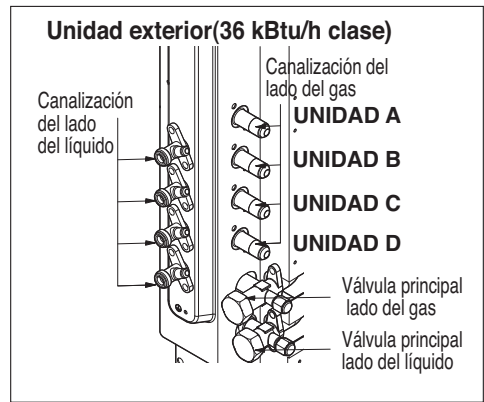
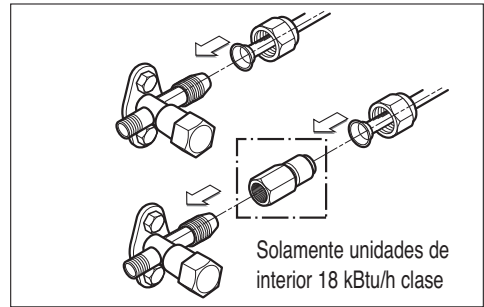
Orden de conexión de conductos

- 1) UNIDADES A~E conductos del lado del gas
- 2) UNIDADES A~E conductos del lado del líquido

Finalmente, apriete la tuerca cónica con una llave inglesa torsiométrica hasta que la llave haga clic.

- Al apretar la tuerca cónica mediante la llave inglesa, asegúrese que la dirección de apriete siga la flecha en la llave.

Diámetro exterior		Fuerza de torsión
mm	inch	kgf.m(lbf.ft)
Ø6.35	1/4	1.8~2.5 (13~18)
Ø9.52	3/8	3.4~4.2 (24~30)
Ø12.7	1/2	5.5~6.6 (40~48)



# Conexión del cable entre la unidad interior y exterior

## Conecte el cable a la unidad interior.

Conecte el cable a la unidad interior conectando por separado los cables a los terminales del panel de control de acuerdo con la conexión de la unidad exterior. (Asegúrese de que el color de los cables de la unidad exterior y el número de terminal son los mismos que los de la unidad interior).

El cable de toma a tierra debe ser más largo que el resto de los cables.

El esquema del circuito no está sujeto a cambio sin previo aviso.

Cuando realice la instalación, consulte el esquema eléctrico situado detrás del panel frontal de la unidad interior.

El cableado para la unidad exterior puede encontrarse en el interior de la cubierta de control de la unidad exterior.



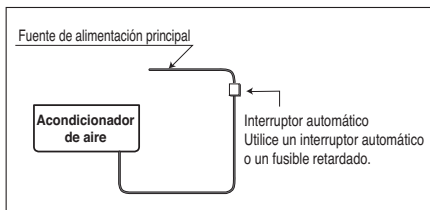
### Recomendación:

- El esquema del circuito no está sujeto a cambio sin previo aviso.
- Asegúrese de conectar los cables de acuerdo con el esquema de cableado.
- Conecte firmemente los cables de manera que no puedan sacarse fácilmente.
- Conecte los cables de acuerdo con los códigos de color consultando el esquema de cableado.



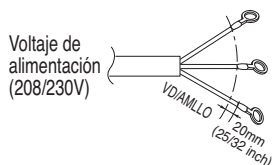
**Recomendación: Instale un interruptor automático entre la fuente de alimentación y la unidad exterior como se muestra a continuación.**

Capacidad unidad exterior (Btu/h clase)	Fuente de alimentación	Fusible o interruptor
24/36k	1ø,208/230V	25A



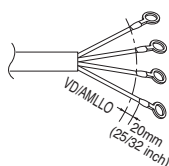
**Recomendación: El cable de alimentación conectado a la unidad exterior debe cumplir las siguientes normas : Reconocido por NRTL (por ejemplo, reconocido por UL o ETL y con certificación CSA).**

### ■ Cable de alimentación



El tamaño mínimo de cable recomendado para la unidad de 18kBtu/h es AWG 14-3, el tamaño mínimo para la unidad de 24/36kBtu/h es AWG 12-3. Como siempre, la selección final el cable se hará cumpliendo con la normativa local y la instalación será realizada por un profesional con licencia.

### ■ Cable de conexión



El cable de conexión de alimentación entre las unidades interiores y exteriores cumplirá con las siguientes especificaciones: reconocido por NRTL (por ejemplo, reconocido por UL o ETL y con certificación CSA).

AWG 18-4 es el tamaño de cable mínimo recomendado, pero los conductores seleccionados deben cumplir con la normativa local y serán adecuados para la instalación en condiciones de humedad.

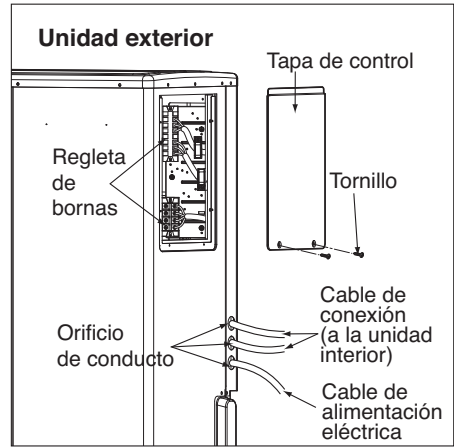


**Recomendación: Cuando utilice el cable independiente como cable de alimentación, fije éste en el panel de la caja de control utilizando una abrazadera plástica como elemento de fijación.**

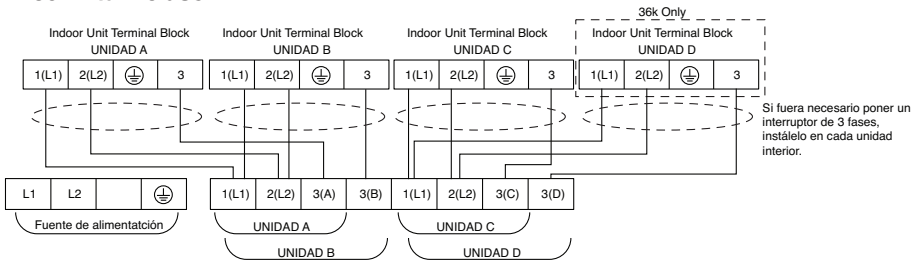


## Conecte el cable a la unidad exterior.

1. Remove the control cover by removing screws. Connect the wires to the terminals on the control board following the diagrams below.
2. Fije el cable a la placa de control con el soporte (abrazadera).
3. Vuelva a montar la cubierta de control en su posición original con el tornillo.



### 24/36 kBtu/h clase



#### **AVISO** :

1. Utilice cable de conexión listado en NRTL (UL, ETL, CAS...) y conductores de cobre trenzados (4) THHN, camisa de PVC resistente a la luz solar (UV) que cumpla con ROHS y que se pueda enterrar directamente, con aprobación para condiciones de humedad. Capacidad de temperatura para  $-20^{\circ}\text{C}$  ( $-4^{\circ}\text{F}$ ) a  $90^{\circ}\text{C}$  ( $194^{\circ}\text{F}$ ). El cable se introducirá en un conducto.



#### **ADVERTENCIA:**

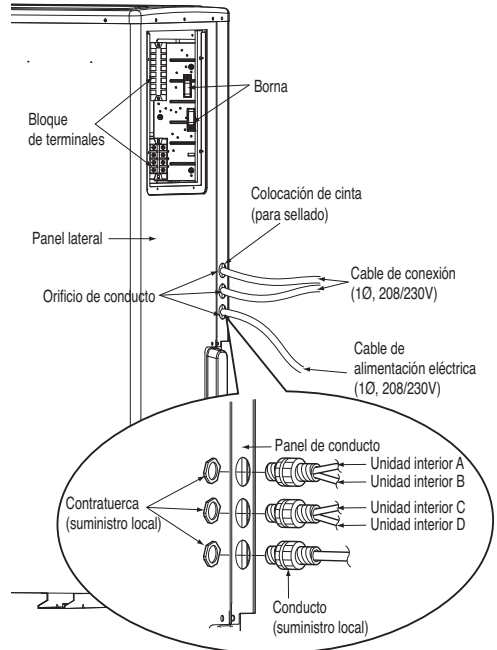
- Asegúrese de cumplir con la legislación local al conectar el cable desde la unidad interior a la unidad exterior (tamaño del cable y método de cableado, etc.).
- Todos los cables deben conectarse firmemente.
- No permita que ningún cable entre en contacto con la tubería de refrigerante, el compresor o cualquier parte móvil.
- El cableado de comunicación del aire acondicionado estará separado y aislado del cableado eléctrico de aparatos externos, como ordenadores, ascensores, aparatos de emisión de radio y televisión, además de oficinas de imágenes para fines médicos.

## Método de conexión del cable de conexión (Ejemplo)

- (1) Retire el panel deslizante del panel del conducto.  
(para línea de baja tensión)
- (2) Tirar del cable de conexión a través del conducto
- (3) Una vez el conducto haya pasado a través del panel, asegure la tuerca en el lado opuesto del mismo.
- (4) Pase el cable de conexión a través del agujero.
- (5) Conecte adecuadamente el cable en el bloque de terminales.
- (6) Fije el cable de conexión con la abrazadera suministrada con la unidad para que no se deforme en el terminal cuando el cable de conexión se estire hacia afuera con un peso de hasta 35 libras.



**ADVERTENCIA: Si los cables están flojos puede que el terminal se sobrecaliente o se produzca un funcionamiento defectuoso de la unidad. También puede producirse un incendio. Por lo tanto, asegúrese de que todos los cables están conectados correctamente.**



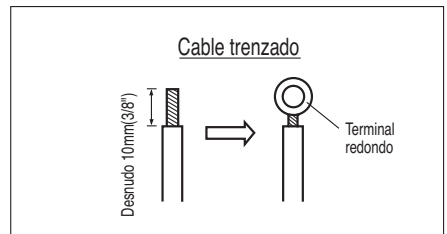
Cuando conecte cada cable de alimentación al terminal correspondiente, siga las instrucciones "Cómo conectar los cables a los terminales" y asegure el cable firmemente con el tornillo de fijación de la placa de terminales.

### Cómo conectar los cables a los terminales

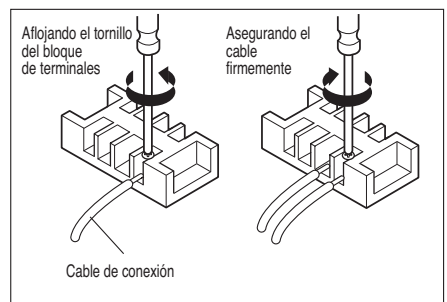
#### ■ Para cable trenzado

- (1) Corte el extremo del cable con un cortador de cables o unos alicates de corte de cables y, a continuación, retire el aislamiento para que el cable trenzado quede desnudo unos 10mm (3/8").
- (2) Utilizando un destornillador, retire el tornillo o tornillos de la placa de terminales.
- (3) Utilizando una abrazadera o alicates para terminal redondo, fije firmemente cada extremo de cable desnudo con un terminal redondo.
- (4) Posicione el cable del terminal redondo y reemplace y apriete el tornillo del terminal utilizando un destornillador.

#### Cable de alimentación



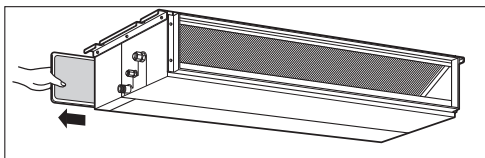
#### Cable de conexión



# Comprobación del drenaje, formación de tuberías y ajuste de la tubería larga

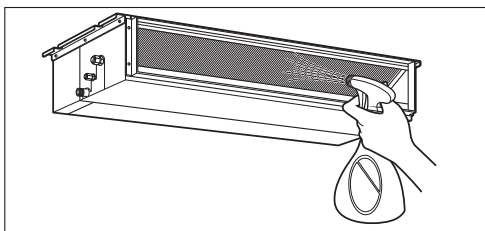
## Comprobación del drenaje

### 1. Comprobación del drenaje



### 2. Compruebe el drenaje

- Rocíe uno o dos vasos de agua sobre el evapo-rador.
- Asegúrese de que el agua fluye por el tubo de drenaje de la unidad interior sin fugas.



\* La imagen pueden variar según el modelo

## Formación de las tuberías

Forme las tuberías encintando el tramo de conexión de la unidad interior con material de aislamiento y asegúrelas con dos tipos de cinta de vinilo.

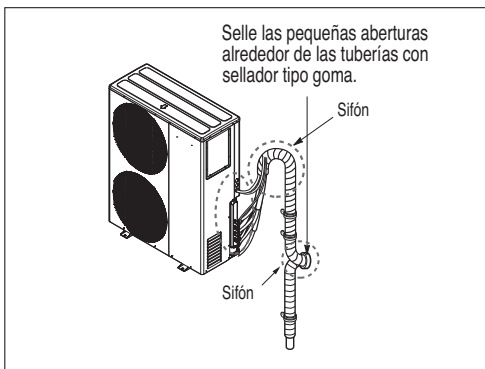
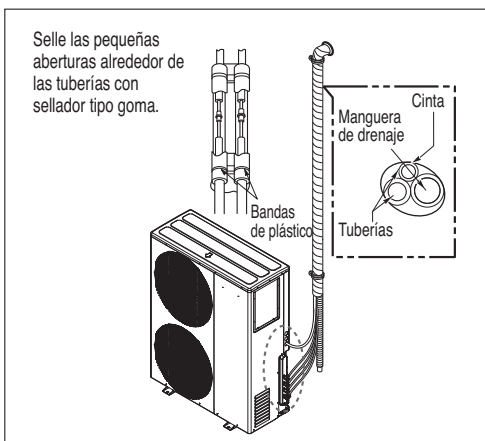
- Si desea conectar una manguera de drenaje adicional, el extremo de la salida de drenaje debe dirigirse por encima del nivel del terreno. Fije la manguera de drenaje adecuadamente.

**En caso de que la unidad exterior se instale por debajo de la unidad interior, haga lo siguiente.**

1. Encinte las tuberías, la manguera de drenaje y el cable de conexión de abajo hacia arriba.
2. Fije la tubería encintada sobre la pared exterior utilizando placas de apoyo o similares.

**En caso de que la unidad exterior se instale por encima de la unidad interior, haga lo siguiente.**

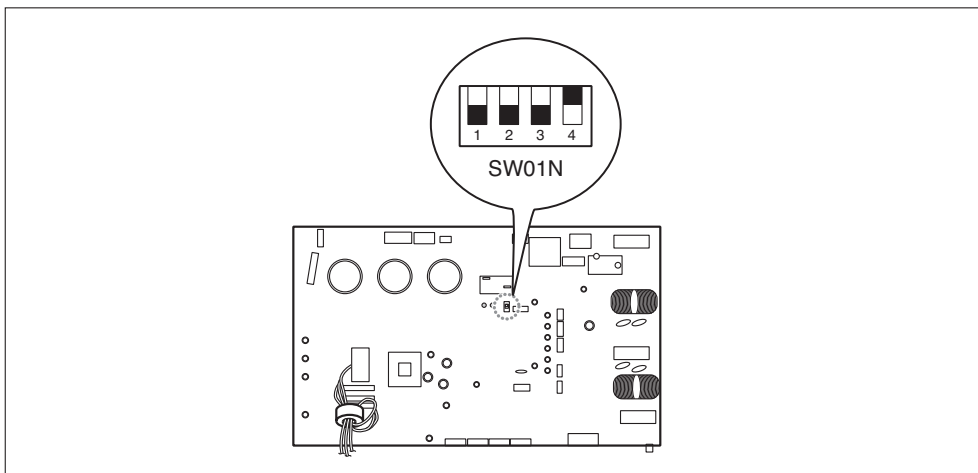
1. Encinte las tuberías y el cable de conexión de abajo hacia arriba.
2. Fije la tubería encintada sobre la pared exterior. Forme un sifón para evitar la entrada de agua en la habitación.
3. Fije la tubería sobre la pared con placas de apoyo o similares.



## Extended line length setting

1. Ouvrez le couvercle supérieur de l'unité extérieure.
2. Sélectionnez un des deux modes de longueur de tuyau, selon le cas.
3. Réglez la Zone comme indiqué sur la figure.
4. Refermez le couvercle supérieur et vérifiez que le système fonctionne normalement.

**⚠ ADVERTENCIA: No abra la cubierta superior ni ajuste la longitud de la tubería durante el funcionamiento del producto.**



# Purga de aire y evacuación

El aire y la humedad que permanecen en el sistema refrigerante tienen efectos indeseables como se indica a continuación.

1. Aumenta la presión en el sistema.
2. Aumenta el consumo eléctrico.
3. Disminuye la eficacia de enfriamiento (o calentamiento).
4. La humedad en el circuito refrigerante puede congelar y bloquear los tubos capilares.
5. El agua puede provocar la corrosión de piezas del sistema refrigerante.

Por lo tanto, debe comprobarse la estanqueidad en la unidad interior/exterior y la tubería de conexión y realizarse un vacío para evitar la condensación de gas y humedad en el sistema.

## Método de comprobación

### Preparación

- Compruebe que cada tubería (tuberías de lado líquido y lado gas) entre la unidad interior y exterior se ha conectado adecuadamente y que se ha completado todo el cableado para la prueba de funcionamiento. Retire los tapones de las válvulas de servicio del lado gas y del lado líquido en la unidad exterior. Compruebe que las válvulas de servicio del lado gas y del lado líquido de la unidad exterior permanecen cerradas en este paso.

### Prueba de fugas

- Conecte la válvula múltiple (con manómetros) y el cilindro de gas nitrógeno seco a este puerto de servicio con las mangueras de carga.

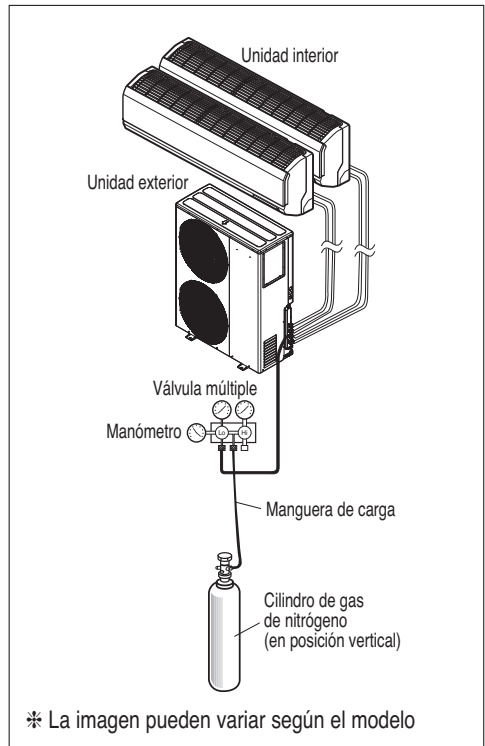
**PRECAUCIÓN:** Utilice una válvula múltiple para realizar la prueba de fugas. La válvula múltiple del lado superior siempre debe mantenerse cerrada.

- Presurice el sistema a no más de 550 P.S.I.G. con gas de nitrógeno seco y cierre la válvula del cilindro cuando la lectura alcance 550 P.S.I.G. A continuación, compruebe la existencia de fugas con jabón líquido.

**PRECAUCIÓN:** Para evitar la entrada de nitrógeno en estado líquido al sistema refrigerante, la parte superior del cilindro debe estar más alta que la parte inferior cuando presurice el sistema. Normalmente, el cilindro se utiliza en posición vertical.

**AVISO:** La prueba de fugas debe realizarse por separado para cada conjunto de conexiones de la unidad interior.

1. Realice la prueba de fugas de todas las uniones de la tubería (interior y exterior) y de las válvulas de servicio de lado gas y lado líquido. Las burbujas indican una fuga. Asegúrese de limpiar el jabón con un paño limpio.
2. Después de que el sistema esté libre de fugas, reduzca la presión de nitrógeno aflojando el conector de la manguera de carga en el cilindro de nitrógeno. Cuando la presión del sistema se reduzca a normal, desconecte la manguera del cilindro.



## Evacuación

1. Conecte el extremo de la manguera de carga como se describe en los pasos anteriores a la bomba de vacío para evacuar las tuberías y la unidad interior. Confirme que la perilla "Lo" de la válvula múltiple está abierta. A continuación, ponga en marcha la bomba de vacío.

El tiempo necesario para la evacuación varía en función de la longitud de las tuberías y de la capacidad de la bomba.

La bomba de vacío debe funcionar a menos de 0,8 toneladas de presión del manómetro.

2. Cuando se alcance el vacío deseado, cierre la perilla "Lo" de la válvula múltiple y detenga la bomba de vacío.

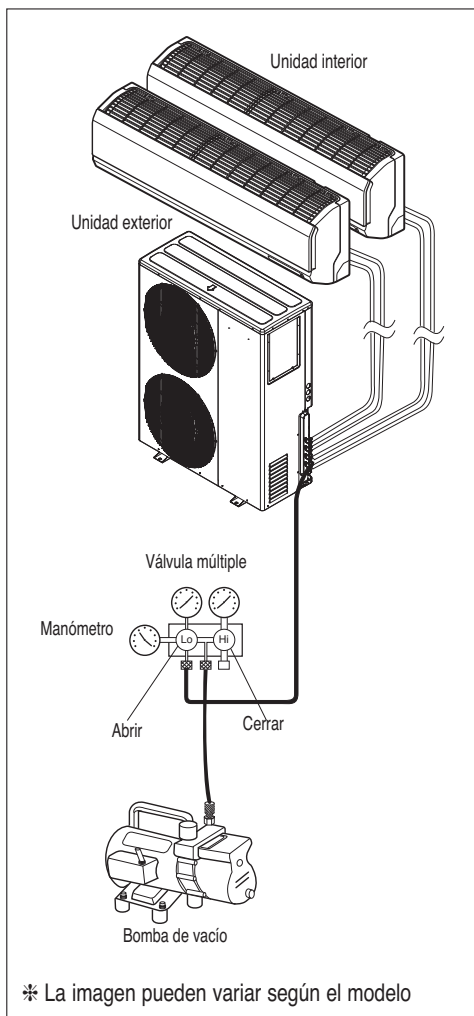
### Finalización del trabajo

1. Con una llave de tuercas para la válvula de servicio, gire el vástago de la válvula de lado líquido en sentido contrario a las agujas del reloj para abrir completamente la válvula.
2. Gire el vástago de la válvula de lado gas en sentido contrario a las agujas del reloj para abrir completamente la válvula.
3. Afloje ligeramente la manguera de carga conectada al puerto de servicio del lado gas para liberar la presión y, a continuación, retire la manguera.
4. Sustituya la tuerca de unión y su tapa del puerto de servicio del lado gas y apriete firmemente la tuerca de unión con una llave de tuercas ajustable. Este proceso es muy importante para evitar fugas en el sistema.
5. Sustituya las tapas de las válvulas de servicio del lado gas y del lado líquido y apriételas con fuerza.

Esto completa la purga de agua con una bomba de vacío.

El aire acondicionado está ahora preparado para la prueba de funcionamiento.

**AVISO** : Repita el proceso de evacuación para cada unidad interior.



# Carga

- Si la longitud total de los conductos instalados es mayor que la longitud total estándar, se necesita una carga adicional de refrigerante.

No es necesario hacer una carga adicional de refrigerante si la longitud total de los conductos está por debajo de la longitud estándar.

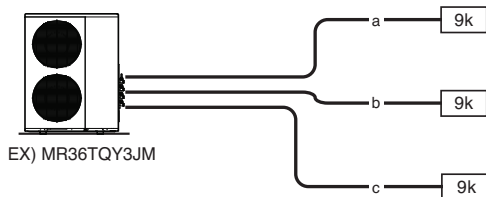
Unidad : m(ft)

Capacidad unidad exterior (Btu/h clase)	Longitud máxima total de todas las tuberías(A+B)/(A+B+C)/(A+B+C+D)	Longitud máxima de cada tubería (A/B/C/D)	Longitud mínima de cada tubería (A/B/C/D)	Refrigerante adicional Unidad : g/m (oz/ft)	Longitud total estándar de los conductos (No añadir refrigerante)
24k	75(246)	25(82)	3(9.8)	20(0.22)	22.5(74)
36k	75(246)	25(82)	3(9.8)	20(0.22)	30(98.4)

## Importante:

Si por alguna razón no está seguro de la carga de la unidad, recupere, evacúe y pese la carga correcta usando la cantidad de carga que se especifica en la etiqueta de especificación de la unidad.

Carga adicional(oz) = (Longitud total de los conductos instalados - Longitud total estándar de los conductos) x 0.22



Cada conducto secundario  
 a=82ft  
 b=16ft  
 c=49ft

Carga adicional  
 = {(82+16+49)-98.4} x 0.22 = 10.69 oz

- \* Si el valor total de carga adicional resultara negativo tras el cálculo, no considere la carga adicional.







**FRIEDRICH**

Friedrich Air Conditioning Co. | 10001 Reunion Place, Suite 500 | San Antonio, TX 78216 | 877.599.5665  
[www.friedrich.com](http://www.friedrich.com)

**P/NO : MFL39817327**