

## **GLASSY IS 36"**

Installation Instructions  
Use and Care Information  
Instructions d'installation  
Utilisez et d'entretien

**GLASIS36SS600-B**

# **READ AND SAVE THESE INSTRUCTIONS BEFORE YOU START INSTALLING THIS RANGEHOOD**

## **WARNING: - TO REDUCE THE RISK OF A RANGE TOP GREASE FIRE:**

- a) Never leave surface units unattended at high settings. Boilovers cause smoking and greasy spillovers that may ignite. Heat oils slowly on low or medium setting.
- b) Always turn hood ON when cooking at high heat or when flambeing food (i.e. Crepes Suzette, Cherries Jubilee, Peppercorn Beef Flambé).
- c) Clean ventilating fans frequently. Grease should not be allowed to accumulate on fan or filter.
- d) Use proper pan size. Always use cookware appropriate for the size of the surface element.

## **WARNING: - TO REDUCE THE RISK OF INJURY TO PERSONS IN THE EVENT OF A RANGE TOP GREASE FIRE, OBSERVE THE FOLLOWING\*:**

- a) **SMOTHER FLAMES** with a close-fitting lid, cookie sheet, or metal tray, then turn off the burner. **BE CAREFUL TO PREVENT BURNS.** If the flames do not go out immediately **EVACUATE AND CALL THE FIRE DEPARTMENT.**
- b) **NEVER PICK UP A FLAMING PAN** - You may be burned.
- c) **DO NOT USE WATER**, including wet dishcloths or towels - a violent steam explosion will result.
- d) Use an extinguisher **ONLY** if:
  - 1. You know you have a Class ABC extinguisher, and you already know how to operate it.
  - 2. The fire is small and contained in the area where it started.
  - 3. The fire department is being called.
  - 4. You can fight the fire with your back to an exit.

\* Based on "Kitchen Firesafety Tips" published by NFPA

## **WARNING - TO REDUCE THE RISK OF FIRE OR ELECTRIC SHOCK, do not use this fan with any solid-state speed control device.**

## **WARNING - TO REDUCE THE RISK OF FIRE, ELECTRICAL SHOCK, OR INJURY TO PERSONS, OBSERVE THE FOLLOWING:**

- 1. Use this unit only in the manner intended by the manufacturer. If you have any questions, contact the manufacturer.
- 2. Before servicing or cleaning unit, switch power off at service panel and lock the service disconnecting means to prevent power from being switched on accidentally. When the service disconnecting means cannot be locked, securely fasten a prominent warning device, such as a tag, to the service panel.

## **CAUTION: For General Ventilating Use Only. Do Not Use To Exhaust Hazardous or Explosive Materials and Vapors.**

## **WARNING - TO REDUCE THE RISK OF FIRE, ELECTRICAL SHOCK, OR INJURY TO PERSONS, OBSERVE THE FOLLOWING:**

- 1. Installation Work And Electrical Wiring Must Be Done By Qualified Person(s) In Accordance With All Applicable Codes And Standards, Including Fire-Rated Construction.
- 2. Sufficient air is needed for proper combustion and exhausting of gases through the flue (chimney) of fuel burning equipment to prevent backdrafting. Follow the heating equipment manufacturer's guideline and safety standards such as those published by the National Fire Protection Association (NFPA), and the American Society for Heating, Refrigeration and Air Conditioning Engineers (ASHRAE), and the local code authorities.

3. **When cutting or drilling into wall or ceiling, do not damage electrical wiring and other hidden utilities.**
4. **Ducted fans must always be vented to the outdoors.**

ALL WALL AND FLOOR OPENINGS WHERE THE RANGEHOOD IS INSTALLED MUST BE SEALED.

**This rangehood requires at least 24" of clearance** between the bottom of the rangehood and the cooking surface or countertop. This hood has been approved by UL at this distance from the cooktop.

This minimum clearance may be higher depending on local building codes. For gas cooktops and combination ranges, a minimum of 30" is recommended and may be required.

The maximum depth of overhead cabinets is 13". Overhead cabinets on both sides of this unit must be a minimum of 18" above the cooking surface or countertop. Consult the cooktop or range installation instructions given by the manufacturer before making any cutouts.

**MOBILE HOME INSTALLATION** The installation of this rangehood must conform to the Manufactured Home Construction and Safety Standards, Title 24 CFR, Part 3280 (formerly Federal Standard for Mobile Home Construction and Safety, Title 24, HUD, Part 280). See Electrical Requirements.

### VENTING REQUIREMENTS

Determine which venting method is best for your application. Ductwork can extend either through the wall or the roof.

The length of the ductwork and the number of elbows should be kept to a minimum to provide efficient performance. The size of the ductwork should be uniform. Do not install two elbows together. Use duct tape to seal all joints in the ductwork system. Use caulking to seal exterior wall or floor opening around the cap.

**Flexible ductwork is not recommended. Flexible ductwork creates back pressure and air turbulence that greatly reduces performance.**

Make sure there is proper clearance within the wall or floor for exhaust duct before making cutouts. Do not cut a joist or stud unless absolutely necessary. If a joist or stud must be cut, then a supporting frame must be constructed.

**WARNING - To Reduce The Risk Of Fire, Use Only Metal Ductwork.**

**CAUTION - To reduce risk of fire and to properly exhaust air, be sure to duct air outside – Do not vent exhaust air into spaces within walls or ceilings or into attics, crawl spaces, or garages.**

### Cold Weather installations

An additional back draft damper should be installed to minimize backward cold air flow and a nonmetallic thermal break should be installed to minimize conduction of outside temperatures as part of the vent system. The damper should be on the cold air side of the thermal break. The break should be as close as possible to where the vent system enters the heated portion of the house.



## WARNING

- Venting system **MUST** terminate outside the home.
- **DO NOT** terminate the ductwork in an attic or other enclosed space.
- **DO NOT** use 4" laundry-type wall caps.
- Flexible-type ductwork is not recommended.
- **DO NOT** obstruct the flow of combustion and ventilation air.
- Failure to follow venting requirements may result in a fire.

## ELECTRICAL REQUIREMENTS

A 120 volt, 60 Hz AC-only electrical supply is required on a separate 15 amp fused circuit. A time-delay fuse or circuit breaker is recommended. The fuse must be sized per local codes in accordance with the electrical rating of this unit as specified on the serial/rating plate located inside the unit near the field wiring compartment.

### ELECTRICAL INSTALLATION WITH WIRING BOX

THIS UNIT MUST BE CONNECTED WITH COPPER WIRE ONLY. Wire sizes must conform to the requirements of the National Electrical Code, ANSI/NFPA 70 - latest edition, and all local codes and ordinances. Wire size and connections must conform with the rating of the appliance. Copies of the standard listed above may be obtained from:

National Fire Protection Association  
Batterymarch Park  
Quincy, Massachusetts 02269

This appliance should be connected directly to the fused disconnect (or circuit breaker) through flexible, armored or nonmetallic sheathed copper cable. Allow some slack in the cable so the appliance can be moved if servicing is ever necessary. A UL Listed, 1/2" conduit connector must be provided at each end of the power supply cable (at the appliance and at the junction box).

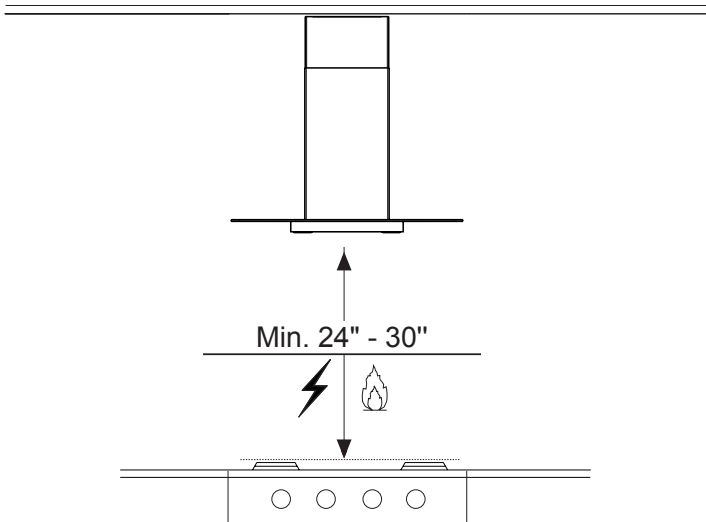
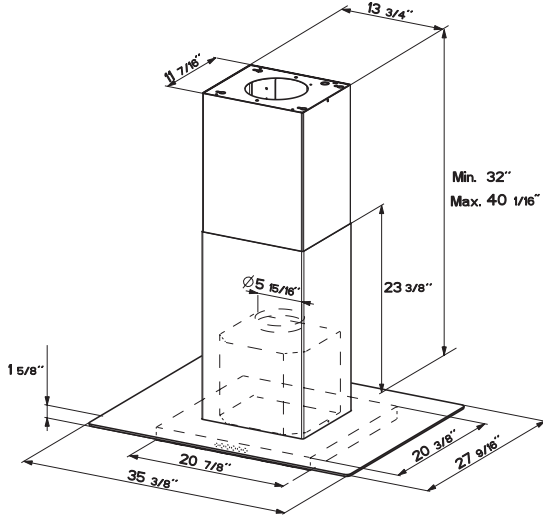
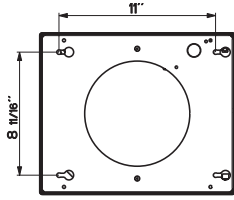
When making the electrical connection, cut a 1 1/4" hole in the wall. A hole cut through wood must be sanded until smooth. A hole through metal must have a grommet.



## WARNING

- Electrical ground is required on this rangehood.
- If cold water pipe is interrupted by plastic, nonmetallic gaskets or other materials, DO NOT use for grounding.
- DO NOT ground to a gas pipe.
- DO NOT have a fuse in the neutral or grounding circuit. A fuse in the neutral or grounding circuit could result in electrical shock.
- Check with a qualified electrician if you are in doubt as to whether the rangehood is properly grounded.
- Failure to follow electrical requirements may result in a fire.

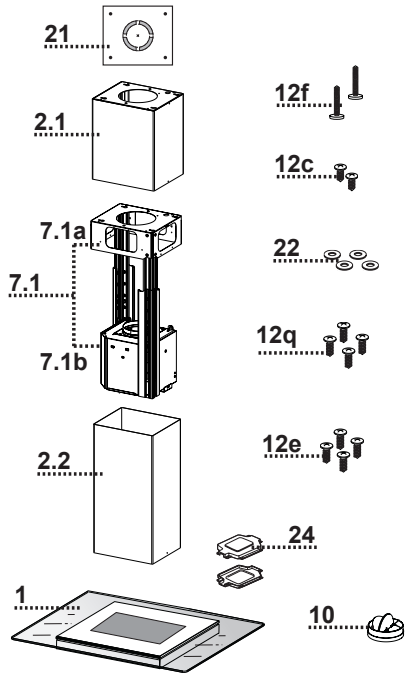
# RANGEHOOD DIMENSIONS



## MAIN PARTS

### Components

Ref.	Qty.	Product Components
1	1	Hood Body, complete with: Controls, Light, Filters, Blower.
2	1	Telescopic Chimney comprising:
2.1	1	Upper Section
2.2	1	Lower Section
7.1	1	Telescopic frame complete with extractor, consisting of:
7.1a	1	Upper frame
7.1b	1	Lower frame
10	1	Damper $\varnothing$ 5 7/8"
24	1	Junction Box
Ref.	Qty.	Installation Components
12f	2	Screws 3/16" x 9/16"
12c	2	Screws 1/8" x 1/4"
12e	4	Screws 1/8" x 3/8"
12q	4	Screws 1/4" x 9/16"
21	1	Drilling template
22	4	1/4" int. dia washers
Qty.	Documentation	
1	Instruction Manual	



### Parts needed

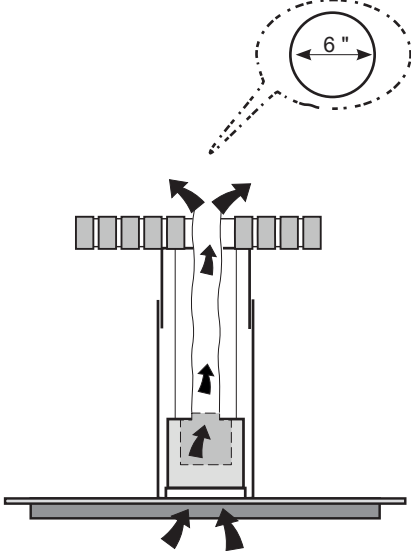
- 6" Round Metal ductwork

### Available Accessories

- High Ceiling Kit that replaces the lower flue. - sku#HIGH2.
- Ductless Kit - Includes Ductless Diverter, Charcoal Filters, Lower chimney with vent grates - sku# DUCT2
- 6" Make-Up Air Damper Kit - MUDAMPER6
- 8" Make-Up Air Damper Kit - MUDAMPER8
- CFM Reducer Kit - CFMRED
- Activated Charcoal Filter Accessory - sku# FILTER2
- Wireless Remote Control Accessory - REMCTRL

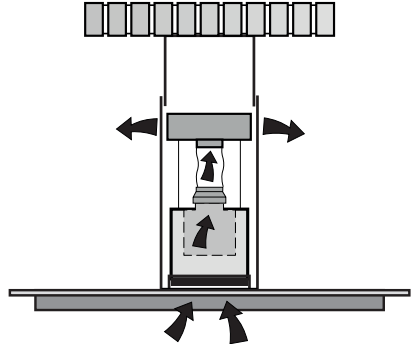
## Choose your ducting method

### Ducted Venting Options Installation

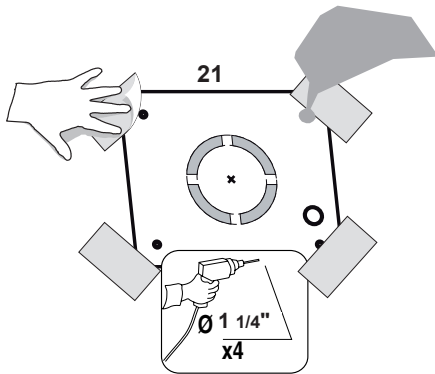
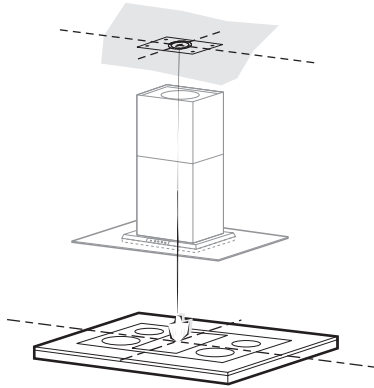


### Non Ducted - Recirculation Option

Requires Ductless Accessory Kit  
(purchased separately)



- 1** Do not make any cutouts until you have decided whether this installation will be ducted or non-ducted and then plan accordingly.



Put a thick, protective covering over cooktop, set-in range or countertop to protect from damage or dirt.

Determine and clearly mark with a pencil on the ceiling where the rangehood will be installed. A template 21 for mounting the support is supplied in the carton with the support. Use this template to mark holes for support on the ceiling.

Determine and make necessary cuts for the ductwork. The duct opening is shown on the mounting template. Install ductwork before mounting the hood.

## **! WARNING**

DUE TO THE SIZE AND WEIGHT OF THIS RANGEHOOD, THE SUPPORT MUST BE FIRMLY ATTACHED TO THE CEILING. For plaster or sheet rock ceiling, the support must be attached to the joists. If this is not possible, a support structure must be built behind the plaster or sheet rock. The manufacturer assumes no responsibility for injury or damage caused by improper installations.

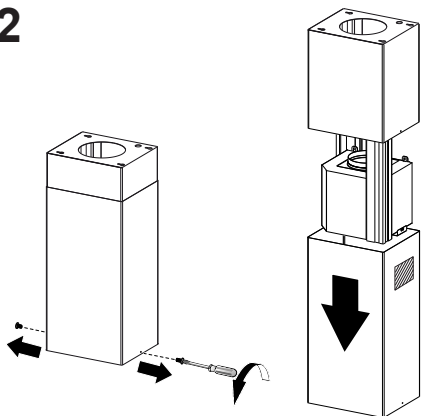
Determine the proper location for the Power Supply Cable as indicated on the template. Use a 1 1/4" Drill Bit to make this hole. Run the Power Supply Cable. Use caulking to seal around the hole.

A knockout for threading through the Power Supply from the ceiling is located on the top of the frame. Do not connect the Power Cable to the Wiring Box or power up the hood at this time. Run enough power cable from the ceiling to reach the wiring box on the hood.



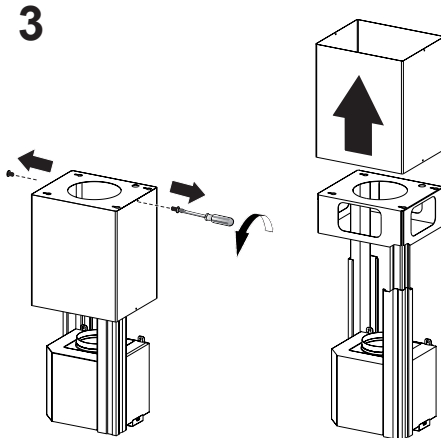
## Chimney Flues Must Be Removed Before Installing the Hood

2



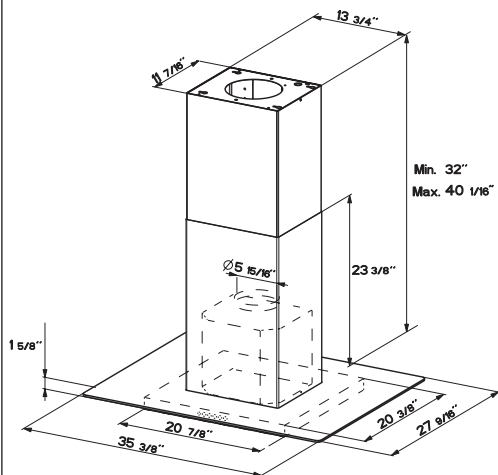
Loosen the two screws fastening the lower chimney and remove this from the lower frame.

3



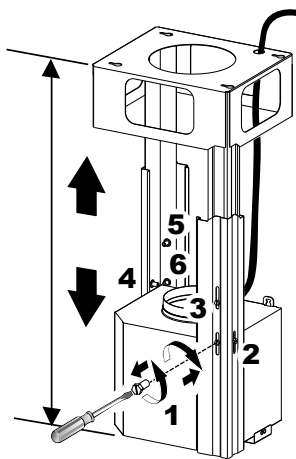
Loosen the two screws fastening the upper chimney and remove this from the upper frame.

4

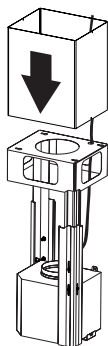


If you need to adjust the height of the frame, proceed as follows:

- Unfasten the metric screws joining the two columns, located at the sides of the frame (1,2,3,4,5,6).
- Adjust the frame to the height required, then refit all the screws removed as above.

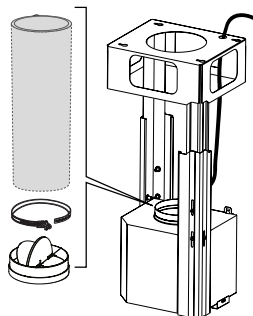


## 5 Upper Flue Must Be In Place Before Proceeding



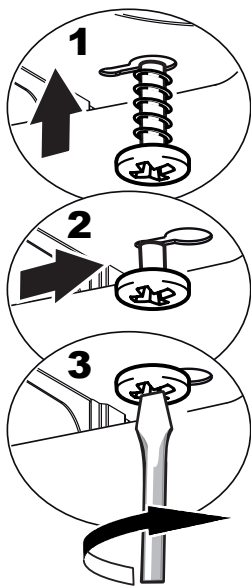
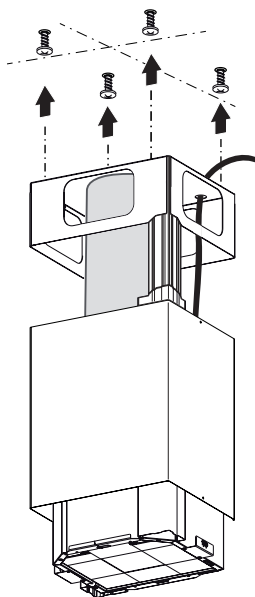
After the regulation for height adjustment, insert the upper chimney stack from above, and leave it running free on the frame.

## 6 Only for Ducted Venting Installation



Install Damper that is included with the Hood before connecting to the ductwork.

## 7



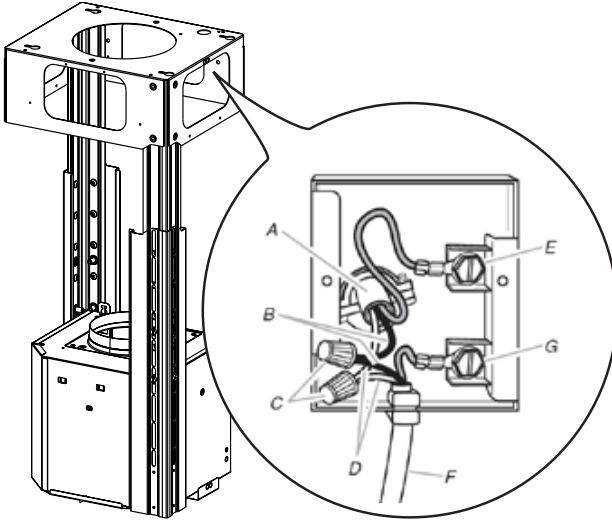
Now take either your woods screws or bolts depending on your set-up and screw all four into the pilot holes and leave 1/4" of the heads exposed.

Next install a UL or CSA listed strain relief in the wiring box so that the screws can be tightened after the chimney support is attached to the ceiling.

Now lift the chimney support into its final position and feed the electrical supply through the strain relief.

Next position the chimney support so that the large end of the keyhole slots are over the ceiling attachment screws or bolts. Then push the chimney support so that the bolts are in the neck of the slots. Tighten all four screws or bolts securely.

- The frame mountings must be secure to withstand the weight of the hood and any stresses caused by the occasional side thrust applied to the device. On completion, check that the base is stable, even if the frame is subjected to bending.
- In all cases where the ceiling is not strong enough at the suspension point, the installer must provide strengthening using suitable plates and backing pieces anchored to the structurally sound parts.

**8**

- A.** Home power supply cable
- B.** Black wires
- C.** UL listed wire connectors
- D.** White wires
- E.** Green (or bare) ground wire from home power supply connected to green ground screw
- F.** Range hood power supply cable
- G.** Range hood power supply cable connected to green ground screw

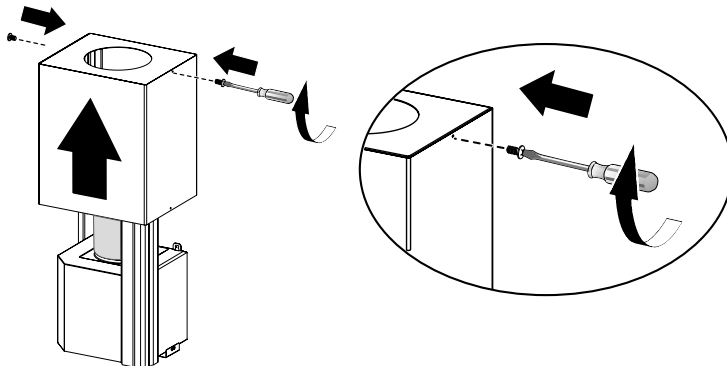
### Installation of wiring connection

Remove the cover from the field wiring compartment.  
**DO NOT** turn on the power until installation is complete!  
 Connect the Power Supply Cable to the rangehood.  
 Connect the Green (Green and Yellow) ground wire under the Green grounding screw. Attach the White lead of the power supply to the White lead of the rangehood with a twist-on type wire connector.  
 Attach the Black lead of the power supply to the Black lead of the rangehood with a twist-on type wire connector.

Replace the field wiring compartment cover and the grease filters.

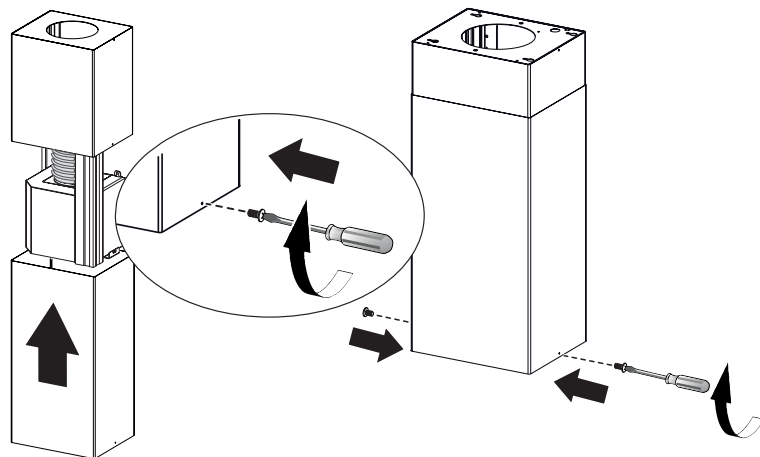
**9**

### Attachment of Upper and Lower Flues



Position the upper chimney section and fix the upper part to the frame using the 2 screws removed previously.

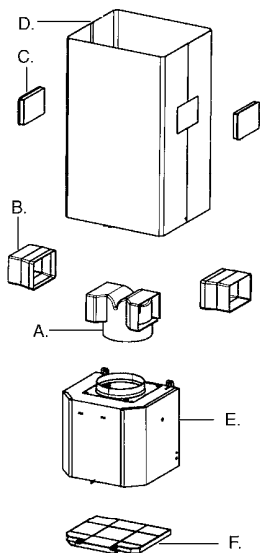
# 10



Similarly, position the lower chimney section and fix the lower part to the frame using the 2 screws removed previously.

# 11

## Only For Ductless Installations



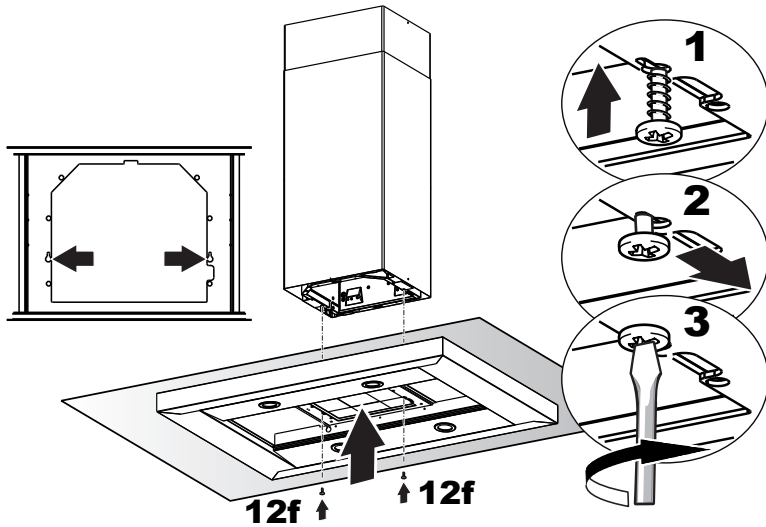
Ductless installations require a **Ductless Conversion Kit** whose components are pictured in **FIGURE 11**.

Do not use the DAMPER for ductless installations. The LOWER CHIMNEY COVER should be discarded and replaced by the new one with holes from the **Ductless Conversion Kit (D in FIGURE 11)**.

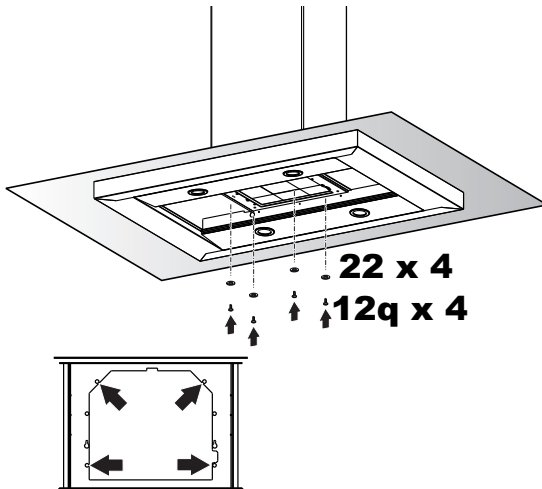
As indicated in **FIGURE 11**, place the DUCTLESS DIVERTER (**A**) over the exhaust opening of the EASY CUBE (**E**). Fit the DUCTLESS DIVERTER EXTENSIONS HORIZONTAL (**B**) into the DIVERTER (**A**).

## Attachment of Hood Canopy

# 12



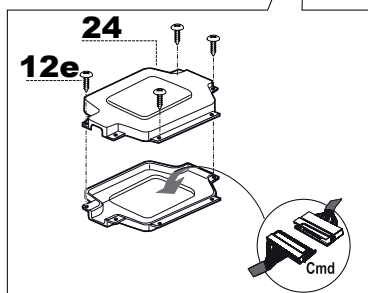
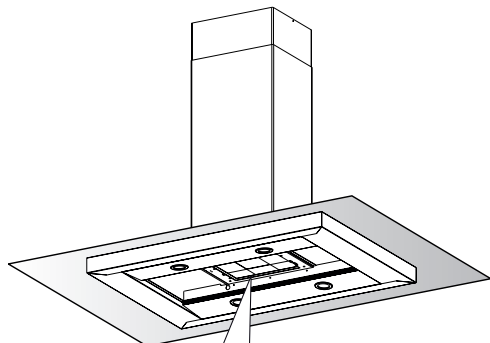
Screw the 2 screws 12f half way into the holes provided in the sides of the bottom of the frame.  
Remove the grease filters from the hood canopy.  
Remove any activated charcoal filters.  
Lift the hood canopy and engage the screws 12f in the slots as far as they will go.



Working from below, fix the hood canopy to the frame where indicated, using the 4 screws 12q and 4 washers 22 provided, then tighten all the screws securely.

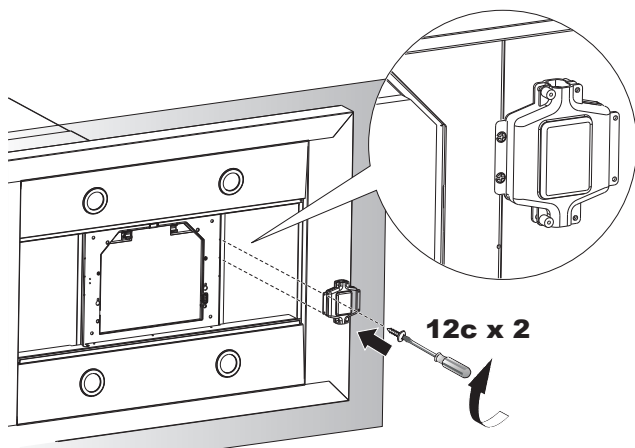
# 13

## Make the Internal Electrical Connection



Connect the control connector Cmd.  
Place the connectors in the junction box 24  
and close it using the 4 screws provided.

# 14

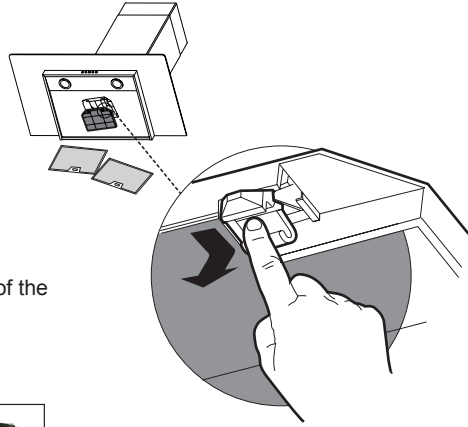


Fix the junction box  
to the hood body  
using the 2 screws  
12c provided.

## 15 For Non-Ducted Recirculation Option

Attach a charcoal filter in the correct position and block it by the fixing hooks as shown.

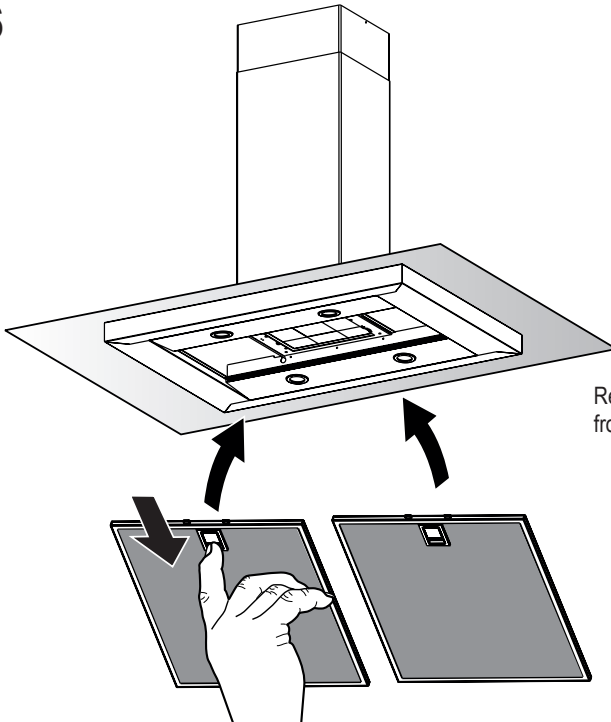
Unlock the fixing hooks (towards the back of the insert hood) to remove.



Required Activated Charcoal Filter  
Accessory - sku # - FILTER2  
(purchased separately)



## 16

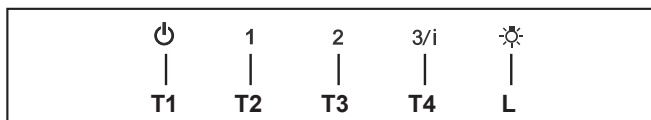


Reinstall the grease filters from the hood canopy.

## USE AND CARE INFORMATION

### For Best Results

Start the rangehood several minutes before cooking to develop proper airflow. Allow the rangehood to operate for several minutes after cooking is complete to clear all smoke and odors from the kitchen.



**T1.** Fan Off Button: Turn the blower Off. The fan can be operated by pressing any of the fan setting buttons.

Hold down this button for 2 seconds to activate Delay Off function which will keep the fan On for 15 minutes and automatically shut Off.

**T2.** Fan Settings Buttons: Low Speed.

**T3.** Fan Settings Buttons: Medium Speed.

**T4.** Fan Settings Buttons: High Speed / Intensive Speed.

Hold down the button for 2 seconds to activate the INTENSIVE SPEED, which is timed to run for 10 minutes. At the end of this time it will automatically return to the speed set before. Suitable to deal with maximum levels of cooking fumes.

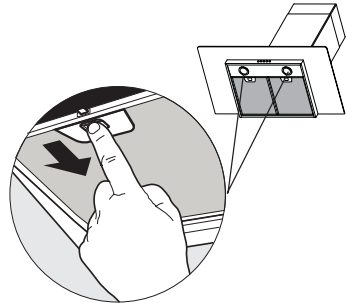
**L.** Light Button: On/Dim/Off switch for the lights. Press the LIGHT button to turn the light on, again to set the lights to dimmer, and again to turn off.



## Cleaning metal grease filters

The filters must be cleaned every 2 months of operation, or more frequently for particularly heavy usage, and can be washed in a dishwasher.

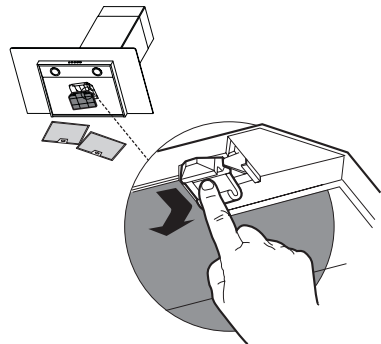
- Remove the Filters one at a time, pushing them towards the back of the unit and at the same time pulling downward.
- Wash the Filters without bending them, and leave them to dry completely before replacing. (If the surface of the filter changes color as time goes by, this will have absolutely no effect on the efficiency of the filter itself.)
- Replace, taking care to ensure that the handle faces forwards.



## Replacing Activated Charcoal Filter

The filter is not washable and cannot be regenerated, and must be replaced approximately every 4 months of operation, or more frequently for particularly heavy usage.

- Remove the Filters one at a time, pushing them towards the back of the unit and at the same time pulling downward.
- Remove the saturated charcoal filter by releasing the fixing hooks.
- Fit the new filter and fasten it in its correct position.
- Replace, taking care to ensure that the handle faces forwards.



## Lighting Unit

- LED lights must be replaced by Faber factory authorized service.





## FABER CONSUMER WARRANTY & SERVICE

All Faber products are warranted against any defect in materials or workmanship for the original purchaser for a period of 1 year from the date of original purchase (requires proof of purchase). This warranty covers labor and replacement parts. Faber, at its option, may repair or replace the product or components necessary to restore the product to good working condition. To obtain warranty service, contact the dealer from whom you purchased the range hood, or the local Faber distributor. If you cannot identify a local Faber distributor, contact us at (508) 358-5353 for the name of a distributor in your area.

**The following is not covered by Faber's warranty:**

1. Service calls to correct the installation of your range hood, to instruct you how to use your range hood, to replace or repair house fuses or to correct house wiring or plumbing.
2. Service calls to repair or replace range hood light bulbs, fuses or filters. Those consumable parts are excluded from warranty coverage.
3. Repairs when your range hood is used for other than normal, single-family household use.
4. Damage resulting from accident, alteration, misuse, abuse, fire, flood, acts of God, improper installation, installation not in accordance with electrical or plumbing codes or Faber documentation, or use of products not approved by Faber.
5. Replacement parts or repair labor costs for units operated outside the United States or Canada, including any non-UL or C-UL approved Faber range hoods.
6. Repairs to the hood resulting from unauthorized modifications made to the range hood.
7. Expenses for travel and transportation for product service in remote locations and pickup and delivery charges. Faber range hoods should be serviced in the home.

THIS WARRANTY DOES NOT ALLOW RECOVERY OF INCIDENTAL OR CONSEQUENTIAL DAMAGES, INCLUDING, WITHOUT LIMITATION, DIRECT, INDIRECT, INCIDENTAL, SPECIAL OR CONSEQUENTIAL DAMAGES, PERSONAL INJURY/WRONGFUL DEATH OR LOST PROFITS FABER WARRANTY IS LIMITED TO THE ABOVE CONDITIONS AND TO THE WARRANTY PERIOD SPECIFIED HEREIN AND IS EXCLUSIVE. EXCEPT AS EXPRESSLY SPECIFIED IN THIS AGREEMENT, FABER DISCLAIMS ALL EXPRESS OR IMPLIED CONDITIONS, REPRESENTATIONS, AND WARRANTIES INCLUDING, WITHOUT LIMITATION, ANY IMPLIED WARRANTIES OF MERCHANTABILITY OR FITNESS FOR A PARTICULAR PURPOSE.

This warranty gives you specific legal rights that may vary from state to state.

Model#: \_\_\_\_\_

Serial #: \_\_\_\_\_

January 4, 2016

# VEUILLEZ LIRE ET CONSERVER LA PRÉSENTE NOTICE AVANT DE COMMENCER L'INSTALLATION DE LA HOTTE DE CUISINE

**AVERTISSEMENT : POUR RÉDUIRE LE RISQUE D'UN FEU DE GRAISSE SUR LA TABLE DE CUISSON :**

- a) Ne laissez jamais sans surveillance les éléments de la surface de cuisson à température élevée. Les bouillonnements excessifs peuvent provoquer de la fumée et les débordements de graisse peuvent s'enflammer. L'huile doit être chauffée lentement, à une température basse ou moyenne.
- b) Assurez-vous de toujours mettre en marche le ventilateur de la hotte lorsque vous cuisinez à température élevée ou préparez un mets flambé (p.ex. crêpes Suzette, cerises jubilé, bœuf flambé).
- c) Nettoyez régulièrement les ventilateurs d'aspiration. Assurez-vous de ne pas laisser de la graisse s'accumuler sur le ventilateur ou le filtre.
- d) Utilisez toujours des poêles et casseroles de la taille appropriée. Utilisez toujours des ustensiles de cuisine de la taille adaptée à celle de l'élément chauffant.

**AVERTISSEMENT : - POUR PRÉVENIR LES BLESSURES EN CAS DE FEU DE GRAISSE SUR LA TABLE DE CUISSON, SUIVEZ LES RECOMMANDATIONS SUIVANTES\* :**

- a) ÉTOUFFEZ LES FLAMMES à l'aide d'un couvercle hermétique, d'une plaque à biscuits ou d'un plateau métallique, puis éteignez le brûleur. FAITES ATTENTION AUX BRÛLURES. Si le feu ne s'éteint pas immédiatement, QUITTEZ LES LIEUX ET APPELEZ LES POMPIERS.
- b) NE PRENEZ JAMAIS UNE CASSEROLE EN FLAMME - Vous pourriez vous brûler.
- c) N'UTILISEZ JAMAIS DE L'EAU, ni un linge à vaisselle ou un torchon mouillé, pour éteindre le feu. Cela pourrait provoquer une violente explosion de vapeur.
- d) Utilisez un extincteur UNIQUEMENT si :
  1. Vous êtes certain qu'il s'agit d'un extincteur de classe ABC et que vous connaissez bien son mode d'emploi.
  2. Le feu est de faible intensité et se limite à l'endroit où il a démarré.
  3. Les pompiers ont déjà été appelés.
  4. Une voie de sortie se trouve derrière vous pendant que vous éteignez les flammes.

\* D'après le guide « Kitchen Firesafety Tips » publié par la NFPA aux États-Unis

**AVERTISSEMENT - POUR RÉDUIRE LE RISQUE D'INCENDIE OU DE CHOC ÉLECTRIQUE, n'utilisez jamais ce ventilateur en association avec un dispositif de réglage de vitesse à semi-conducteurs.**

**AVERTISSEMENT - POUR RÉDUIRE LES RISQUES D'INCENDIE, DE CHOC ÉLECTRIQUE OU DE BLESSURE CORPORELLE, RESPECTEZ LES INSTRUCTIONS SUIVANTES :**

1. Utilisez cet appareil uniquement de la façon prévue par le fabricant. Pour toute question, communiquez avec le fabricant.
2. Avant de procéder à l'entretien ou au nettoyage de l'appareil, coupez l'alimentation au niveau du panneau électrique et verrouillez-le pour vous assurer que l'électricité n'est pas rétablie accidentellement. S'il n'est pas possible de verrouiller le dispositif d'interruption de l'alimentation, affichez de façon ferme et bien visible un avis de danger, par exemple à l'aide d'une étiquette sur le panneau.

**ATTENTION : Destiné à un usage de ventilation générale uniquement. N'utilisez pas ce dispositif pour l'aspiration de vapeurs ou de matériaux dangereux ou explosifs.**

**AVERTISSEMENT - POUR RÉDUIRE LES RISQUES D'INCENDIE, DE CHOC ÉLECTRIQUE OU DE BLESSURE CORPORELLE, RESPECTEZ LES INSTRUCTIONS SUIVANTES :**

1. L'installation et le branchement électrique doivent être réalisés par un technicien qualifié et conformément à tous les codes et normes en vigueur, incluant ceux concernant la construction à l'épreuve du feu.
2. Afin de garantir une combustion et une évacuation adéquates des gaz par les conduites de la cheminée des appareils à combustion, une bonne aération est nécessaire pour éviter le refoulement. Respectez les lignes directrices fournies par le fabricant du matériel chauffant, ainsi que les normes de sécurité comme celles publiées par la National Fire Protection Association (NFPA) et la American Society for Heating, Refrigeration and Air Conditioning Engineers (ASHRAE) aux États-Unis, ainsi que les codes en vigueur dans votre région.

3. Lorsque vous faites une ouverture ou percez dans un mur ou le plafond, veillez à ne pas endommager les fils électriques ou d'autres dispositifs cachés.
4. Les ventilateurs canalisés doivent toujours être raccordés à l'extérieur.

TOUTE OUVERTURE DANS LE MUR OU LE PLANCHER À PROXIMITÉ DE LA HOTTE DOIT ÊTRE SCELLÉE.

**Un espace libre d'au moins 24" est requis** entre le bas de la hotte et la surface de cuisson ou le comptoir. Cette hotte a été homologuée par l'UL à cette distance de la surface de cuisson.

L'espace libre minimal requis peut être plus grand, selon la réglementation en matière de construction de votre région. Pour les cuisinières à gaz et les cuisinières combinées, un espace minimal de 30" est recommandé et pourrait être exigé.

La profondeur maximale des armoires suspendues est de 13". Les armoires suspendues de chaque côté de l'appareil doivent se trouver à au moins 18" de la surface de cuisson ou du comptoir. Consultez la notice d'installation de la surface de cuisson ou de la cuisinière fournie par le fabricant avant de pratiquer des ouvertures.

**INSTALLATION DANS UNE MAISON MOBILE** L'installation de cette hotte doit être conforme à la Partie 3280 de la norme Manufactured Home Construction and Safety Standards, Title 24 CFR (précédemment la partie 280 de la norme Federal Standard for Mobile Home Construction and Safety, Title 24, HUD). Consultez la fiche technique électrique.

### CRITÈRES DE VENTILATION

Déterminez quelle méthode de ventilation est mieux adaptée à votre application. Les conduits peuvent passer par le mur ou le toit.

Pour garantir une meilleure efficacité, la longueur des conduits et le nombre de coudes doivent être le plus limités que possible. Le diamètre des conduits devrait être uniforme. N'installez pas deux coudes ensemble. Utilisez un ruban pour canalisations afin de sceller tous les joints du système de conduits. Utilisez un calfeutrage pour sceller les ouvertures dans le mur extérieur ou le plancher, autour du clapet.

**Il n'est pas recommandé d'utiliser des conduits flexibles. Les conduits flexibles provoquent une contre-pression et de la turbulence qui diminuent grandement l'efficacité de l'appareil.**

Assurez-vous que l'espace libre dans le mur ou le plancher est suffisant pour le conduit d'évacuation avant de pratiquer les ouvertures. Ne coupez jamais une poutre ou un chevron, sauf si c'est absolument nécessaire. S'il s'avère nécessaire de couper une poutre ou un chevron, la construction d'un renforcement est requise.

**AVERTISSEMENT - Pour réduire le risque d'incendie, utilisez uniquement des conduits métalliques.**

**ATTENTION - Pour réduire le risque d'incendie et pour évacuer adéquatement l'air, assurez-vous de raccorder les conduits à l'extérieur – Ne diffusez pas l'air d'évacuation dans des espaces à l'intérieur des murs ou du plafond, ou encore à l'intérieur d'un grenier, d'une galerie technique ou d'un garage.**

### **Installation dans les climats froids**

Le système de ventilation doit prévoir un registre antirefoulement supplémentaire pour réduire le flux d'air froid inverse, ainsi qu'une barrière thermique pour réduire la conduction des températures extérieures. Le registre doit être installé du côté air froid par rapport à la barrière thermique. La barrière thermique doit être positionnée le plus près que possible de l'endroit où le système de ventilation pénètre dans la partie chauffée de la maison.



## AVERTISSEMENT

- Le système de ventilation **DOIT** déboucher à l'extérieur.
- **NE FAITES PAS** déboucher les conduits dans un grenier ou un autre endroit fermé.
- **N'UTILISEZ PAS** un clapet de sècheuse mural de 4 " .
- Il n'est pas recommandé d'utiliser des conduits flexibles.
- **N'ENTRAVEZ PAS** le flux de l'air de combustion et de ventilation.
- Le non-respect des exigences en matière de ventilation pourrait entraîner un incendie.

## FICHE TECHNIQUE ÉLECTRIQUE

Une alimentation de courant alternatif de 120 volt à 60 Hz est requise sur un circuit à fusible distinct de 15 ampères. Il est recommandé d'installer un fusible temporisé ou un disjoncteur. Le fusible doit être calibré conformément aux codes en vigueur pour les caractéristiques nominales électriques de l'appareil, indiquées sur la plaque signalétique située à l'intérieur de l'appareil, à proximité du compartiment des câblages externes.

### INSTALLATION ÉLECTRIQUE AVEC BOÎTIER DE CÂBLAGES

CET APPAREIL DOIT ÊTRE UNIQUEMENT BRANCHÉ À L'AIDE DE FILS DE CUIVRE. Le calibre des fils doit être conforme aux critères de la dernière édition du National Electrical Code, de l'ANSI/NFPA 70 et de l'ensemble des codes et réglementations en vigueur. Le calibre des fils et les connexions doivent être adaptés aux caractéristiques nominales de l'appareil. Il est possible de se procurer un exemplaire des normes indiquées ci-dessus en communiquant avec :

National Fire Protection Association  
Batterymarch Park  
Quincy, Massachusetts 02269 (États-Unis)

Cet appareil devrait être branché directement au sectionneur à fusible (ou au disjoncteur) par un câble flexible de cuivre avec blindage ou gaine non métallique. Laissez un peu de jeu dans le câble pour permettre le déplacement de l'appareil si des travaux d'entretien s'avéraient nécessaires. Un raccord de conduit homologué par l'UL de 1/2 " doit être installé aux deux extrémités du câble d'alimentation (au niveau de l'appareil et de la boîte de liaison).

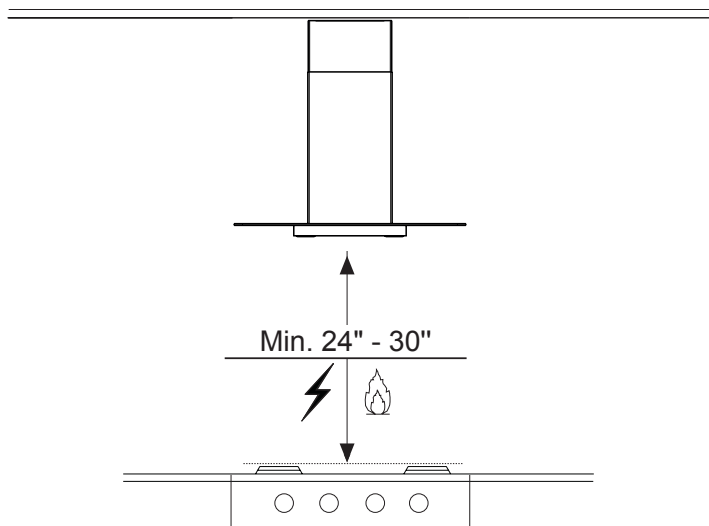
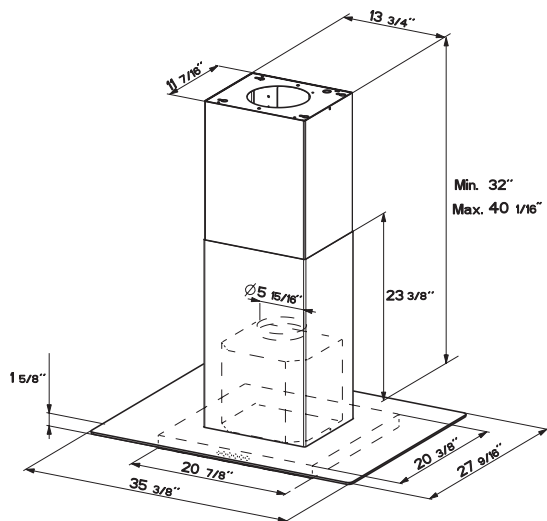
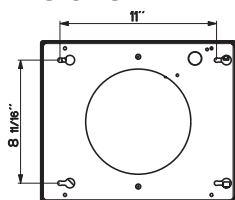
Lors de la réalisation du branchement électrique, réalisez un trou de 1 1/4 " dans le mur. S'il s'agit d'un trou dans le bois, il doit être poncé pour le rendre lisse. S'il s'agit d'un trou dans le métal, un passe-fils est requis.



## AVERTISSEMENT

- Une mise à la terre électrique est requise pour cette hotte.
- N'UTILISEZ PAS un tuyau d'eau froide pour la mise à la terre si celui-ci est branché par des joints en plastique, par des rondelles non métalliques ou d'autres matériaux.
- N'UTILISEZ PAS une conduite de gaz pour la mise à la terre.
- N'INSTALLEZ PAS un fusible sur le circuit neutre ou le circuit de mise à la terre. La présence d'un fusible dans le circuit neutre ou de mise à la terre peut entraîner un choc électrique.
- Consultez un électricien qualifié si vous n'êtes pas certain de la mise à la terre de la hotte.
- Le non-respect des exigences de la fiche technique électrique pourrait entraîner un incendie.

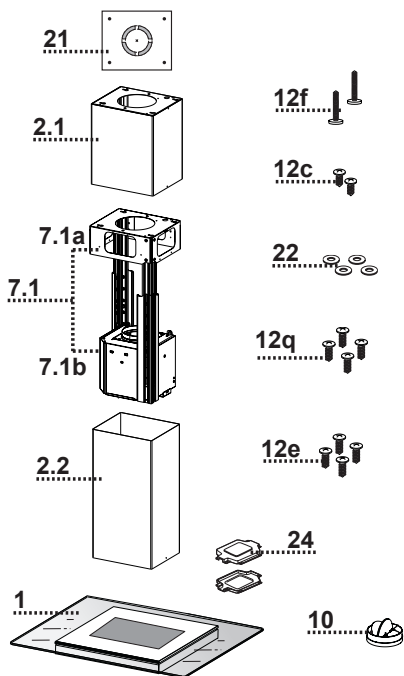
## DIMENSIONS DE LA HOTTE



## PIÈCES PRINCIPALES

### Composants

Réf.	Qté	Composants du produit
1	1	Bâti de la hotte, avec: Com- mandes, éclairages, filtres, ventilateur.
2	1	Cheminée télescopique comprenant:
2.1	1	Section supérieure
2.2	1	Section inférieure
7.1	1	Châssis télescopique avec ventilateur d'aspiration, composé de:
7.1a	1	Châssis supérieur
7.1b	1	Châssis inférieur
10	1	Registre $\varnothing$ 5 7/8"
24	1	Boîte de liaison
Réf.	Qté	Composants d'installation
12f	2	Vis 3/16" x 9/16"
12c	2	Vis 1/8" x 1/4"
12e	4	Vis 1/8" x 3/8"
12q	4	Vis 1/4" x 9/16"
21	1	Gabarit de perçage
22	4	Rondelles dia int. 1/4"
Qté	Documentation	
1	Mode d'emploi	



### Pièces requises

- Conduit métallique 6" circulaire

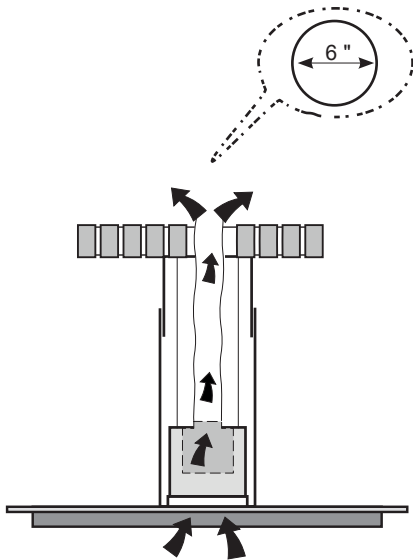
### Accessoires disponibles

- Trousse de cheminée pour plafonds hauts, pour remplacer le conduit inférieur de cheminée. - No d'article HIGH2.
- Trousse sans conduit - Comprend déflecteur de recyclage, filtres à charbon, cheminée inférieure avec grille d'évent - No d'article DUCT2
- Dispositif d'apport d'air 6" - MUDAMPER6
- Dispositif d'apport d'air 8" - MUDAMPER8
- Réducteur de débit - CFMRED
- Filtre à charbon actif accessoire - No d'article FILTER2
- Télécommande sans fil accessoire - REMCTRL



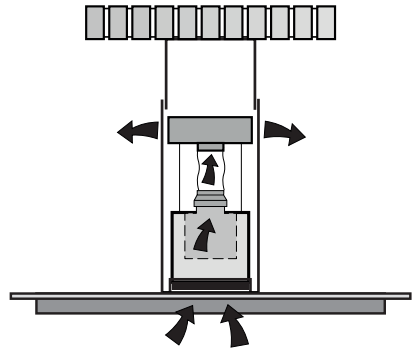
## Choisissez la méthode de canalisation

### Options d'installation avec ventilation canalisée

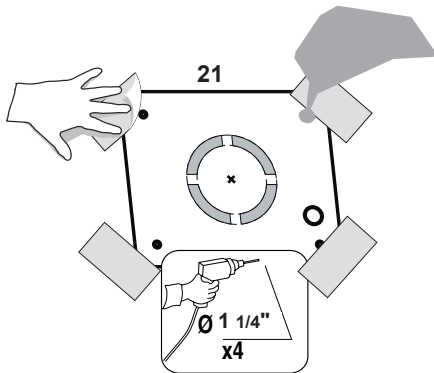
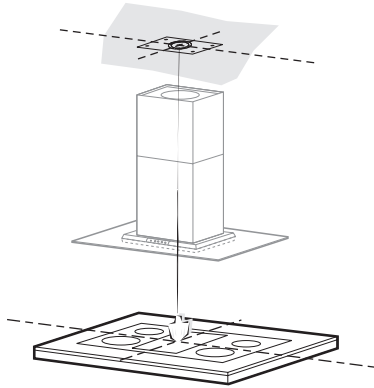


### Sans canalisation - Option de recirculation

Exige la trousse d'accessoires sans conduit (achetée séparément)



- 1** Ne pratiquez aucune ouverture avant d'avoir décidé si l'installation sera canalisée ou non, puis planifiez en conséquence.



Placez une protection épaisse sur la surface de cuisson, la cuisinière encastrée ou le comptoir pour éviter les dommages ou la saleté. Déterminez l'endroit où la hotte sera installée et marquez-la clairement sur le plafond à l'aide d'un crayon.

Un gabarit 21 pour le montage du socle est fourni dans l'emballage. Utilisez ce modèle pour indiquer les trous qui serviront à fixer le socle au plafond.

Déterminez les ouvertures nécessaires pour les conduits et pratiquez-les. L'ouverture pour la canalisation est représentée sur le gabarit de montage. Installez les conduits avant de monter la hotte.



## AVERTISSEMENT

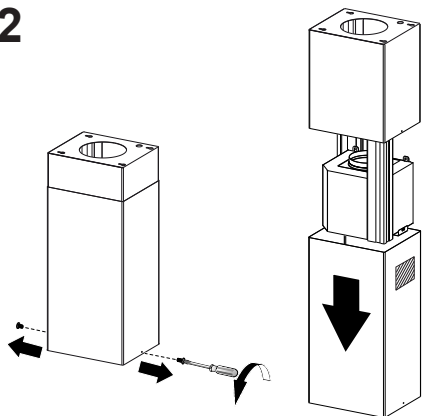
COMPTE TENU DE LA DIMENSION ET DU POIDS DE CETTE HOTTE, LE SOCLE DOIT ÊTRE SOLIDEMENT ANCRÉ AU PLAFOND. Si le plafond est en plâtre ou en plaque de plâtre, le socle doit être ancré aux poutres. Si cela n'est pas possible, une structure de soutien doit être construite derrière le plâtre ou la plaque de plâtre. Le fabricant ne peut être tenu responsable en cas de blessures ou de dommages provoqués par une mauvaise installation.

Déterminez l'emplacement adéquat pour le câble d'alimentation, comme indiqué sur le gabarit. Utilisez une mèche de 1 1/4" pour percer ce trou. Faites passer le câble d'alimentation. Utilisez un calfeutrage pour sceller autour du trou.

Une pièce à défoncer pour le passage de l'alimentation électrique du plafond est située au sommet du châssis. Ne branchez par le câble d'alimentation au boîtier de connexion et n'alimentez pas la hotte à ce moment. Acheminez le câble électrique du plafond jusqu'au boîtier de connexion sur la hotte.

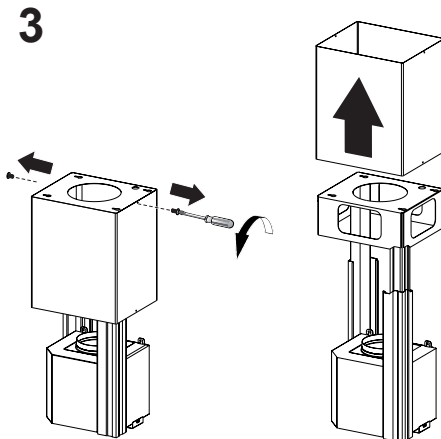
## Les conduits de cheminées doivent être enlevés avant l'installation de la hotte

2



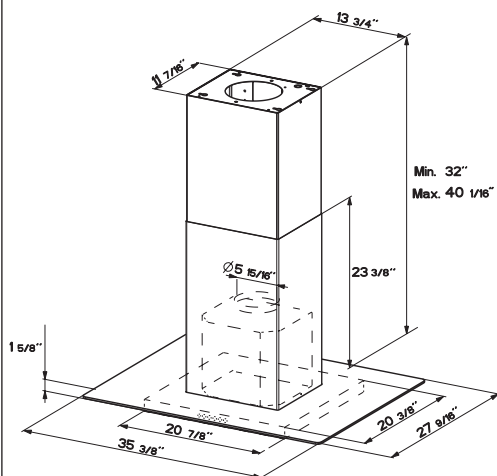
Dévissez les deux vis qui fixent la section inférieure de la cheminée et détachez-la du châssis inférieur.

3



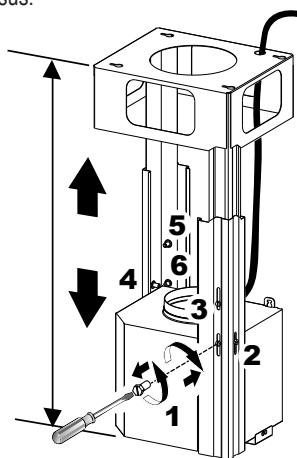
Dévissez les deux vis qui fixent la section supérieure de la cheminée et détachez-la du châssis supérieur.

4

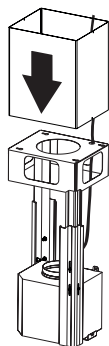


Si vous devez régler la hauteur du châssis, procédez comme suit :

- Détachez les vis métriques qui unissent les deux colonnes, situées sur les côtés du châssis (1, 2, 3, 4, 5, 6).
- Réglez le châssis à la hauteur requise, puis remettez en place toutes les vis enlevées comme ci-dessus.

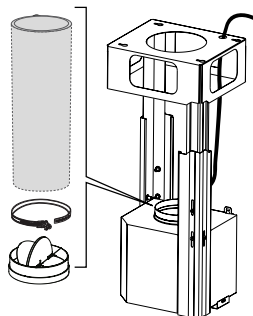


## 5 Le conduit supérieur de cheminée doit être en place avant de poursuivre l'installation



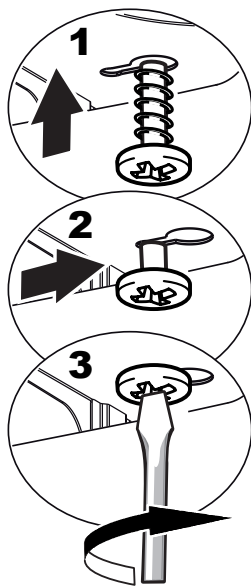
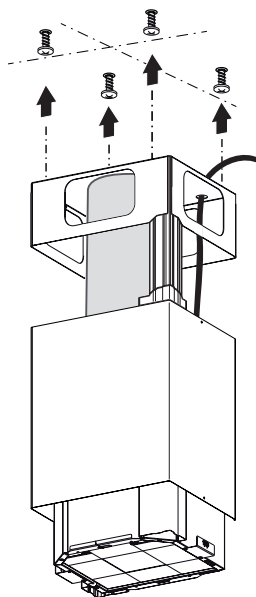
Après avoir procédé au réglage de la hauteur, insérez la souche de cheminée supérieure à partir du haut et laissez-la sur le châssis.

## 6 Pour installation avec ventilation canalisée uniquement



Installez le registre inclus avec la hotte avant de la raccorder aux conduits.

## 7



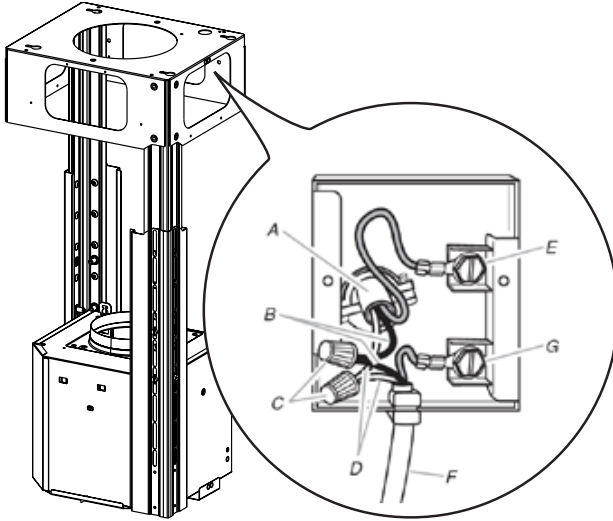
Prenez ensuite les vis à bois ou boulons, selon votre installation, et vissez les 4 dans les trous d'implantation, en laissant 1/4" de la tête des vis libre.

Installez ensuite un protège-câbles (homologation UL ou CSA) dans le boîtier de connexion de façon à pouvoir serrer les vis lorsque le socle de cheminée sera ancré au plafond.

Soulevez ensuite le socle de cheminée à son emplacement, et faites passer le câble d'alimentation électrique à travers le protège-câbles.

Placez le socle de cheminée de façon à aligner la grande ouverture des encoches en trou de serrure sur les vis ou boulons de fixation au plafond. Poussez ensuite le socle de cheminée de façon à ce que les boulons s'engagent dans la partie étroite des encoches. Serrez fermement les quatre vis ou boulons.

- Le montage du châssis doit être assez solide pour supporter le poids de la hotte et tout stress causé par une pression latérale occasionnelle que pourrait subir l'appareil. Lorsque vous avez terminé, assurez-vous que la base est stable, même lorsque le châssis est plié.
- Dans tous les cas où le plafond n'est pas assez fort au point de suspension, l'installateur doit veiller à le renforcer à l'aide de plaques et de pièces de renfort ancrées à des pièces structurelles solides.

**8**

- A.** Câble d'alimentation du réseau domestique
- B.** Fils noirs
- C.** Serre-fils homologué UL
- D.** Fils blancs
- E.** Fil de mise à la terre vert (ou fil nu) de l'alimentation domestique branché à la vis de mise à la terre verte
- F.** Câble d'alimentation de la hotte
- G.** Câble d'alimentation de la hotte branché à la vis de mise à la terre verte

### Réalisation des branchements

Retirez le couvercle du compartiment des câblages externes.

**NE METTEZ PAS** l'alimentation sous tension avant d'avoir terminé l'installation!

Branchez le câble d'alimentation à la hotte.

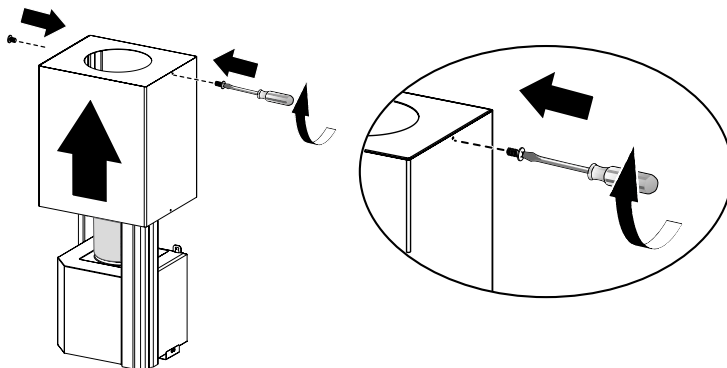
Branchez le fil vert (vert et jaune) de mise à la terre sous la vis de mise à la terre verte. Branchez le fil blanc de l'alimentation au fil blanc de la hotte à l'aide d'un connecteur verrouillé par rotation.

Branchez le fil noir de l'alimentation au fil noir de la hotte à l'aide d'un connecteur verrouillé par rotation.

Remettez le couvercle du compartiment des câblages externes et les filtres à graisse en place.

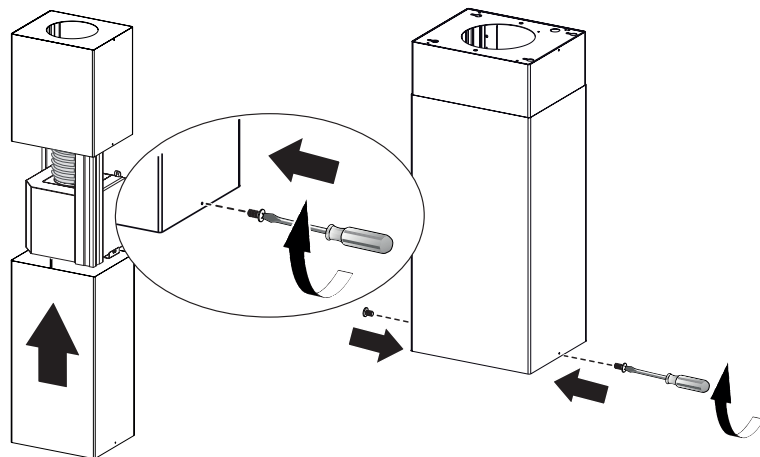
**9**

### Montage des cheminées supérieure et inférieure



Placez la section supérieure de la cheminée et fixez la partie supérieure au châssis à l'aide des 2 vis enlevées précédemment.

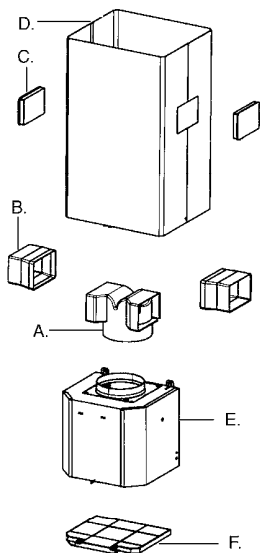
# 10



De la même façon, placez la section inférieure de la cheminée et fixez la partie inférieure au châssis à l'aide des 2 vis enlevées précédemment.

# 11

## Pour installation sans conduit uniquement



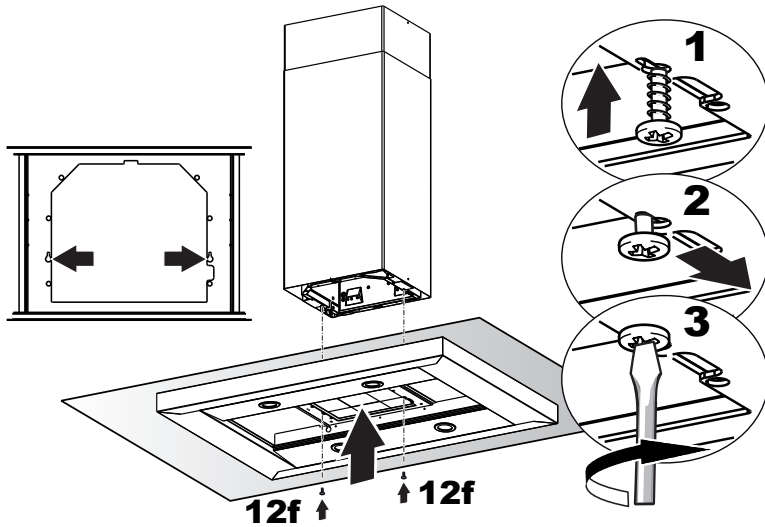
L'installation sans conduit nécessite une **Trousse de conversion pour installation sans conduit** dont les éléments sont représentés à la **FIGURE 12**.

N'utilisez pas le REGISTRE pour l'installation sans conduit. L'HABILLAGE INFÉRIEUR DE CHEMINÉE doit être remplacé par celui présentant des trous de la **Trousse de conversion pour installation sans conduit (D sur la FIGURE 12)**.

Tel qu'indiqué sur la **FIGURE 12**, placez le DÉFLECTEUR DE RECYCLAGE (**A**) sur l'ouverture d'évacuation du EASY CUBE (**E**). Placez les SORTIES HORIZONTALES DU DÉFLECTEUR DE RECYCLAGE (**B**) dans le DÉFLECTEUR (**A**).

## Montage de l'auvent de la hotte

12

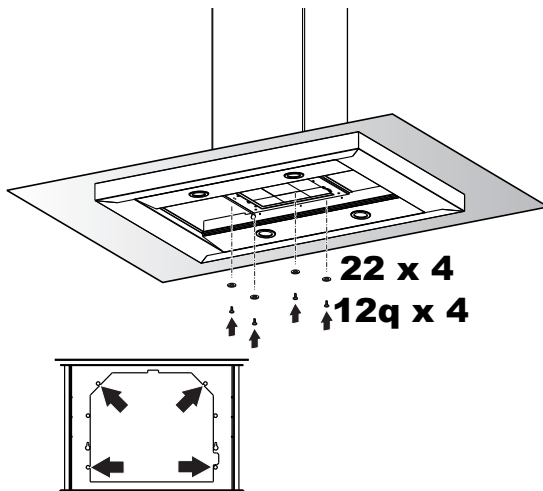


Vissez les 2 vis 12f à moitié dans les trous prévus sur les bords du dessous du châssis.

Retirez les filtres à graisse de l'auvent de la hotte.

Retirez tout filtre à charbon actif.

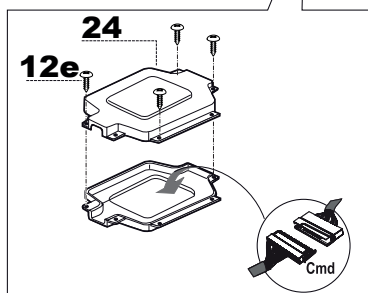
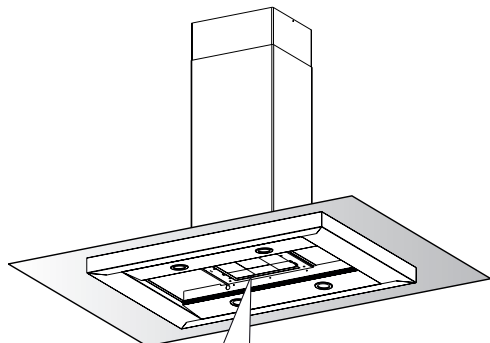
Soulevez l'auvent de la hotte et insérez les vis 12f dans les fentes, en les enfonçant le plus possible.



En passant par le dessous, fixez l'auvent de la hotte au châssis aux endroits indiqués, en utilisant les 4 vis 12q et les 4 rondelles 22 fournies, puis serrez fermement toutes les vis.

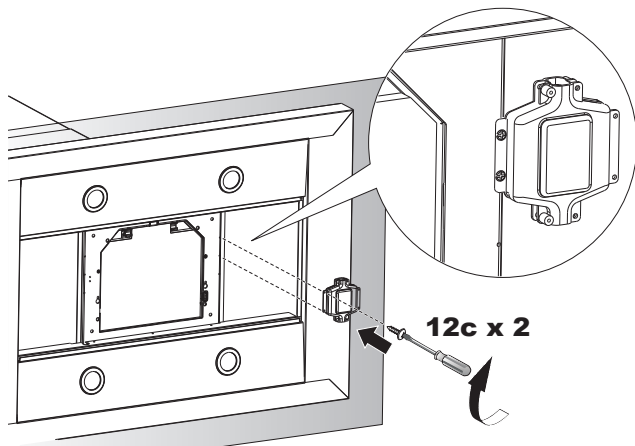
# 13

## Réalisation des branchements électriques internes



Branchez le connecteur de commande Cmd.  
Placez les connecteurs dans la boîte de liaison  
24 et refermez-la à l'aide des 4 vis fournies.

# 14



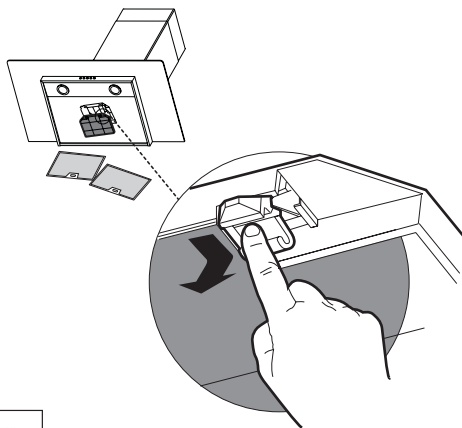
Fixez la boîte de  
liaison au bâti de la  
hotte à l'aide des 2  
vis 12c fournies.



## 15 Pour option non canalisée avec recirculation d'air

Posez un filtre à charbon à l'emplacement adéquat et bloquez-le à l'aide des crochets de fixation, comme illustré.

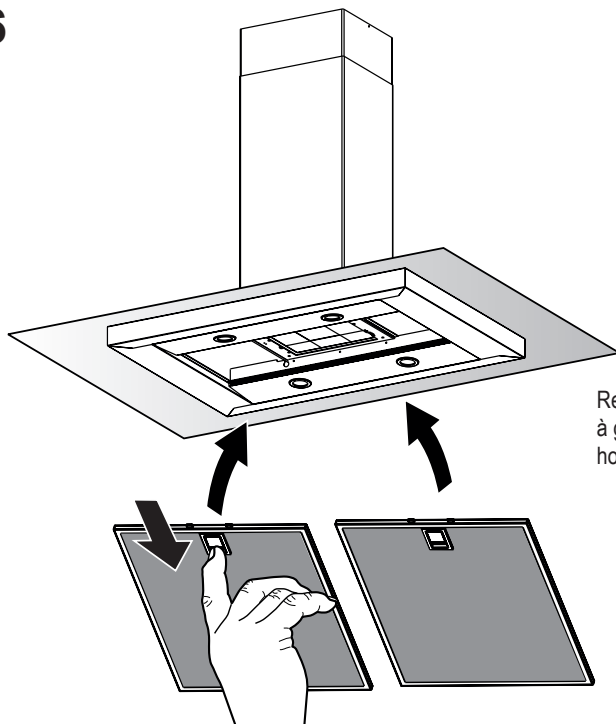
Déverrouillez les crochets de fixation (vers l'arrière de la hotte encastrable) pour les enlever.



Filtre à charbon actif accessoire requis - No d'article - FILTER2 (acheté séparément)



## 16

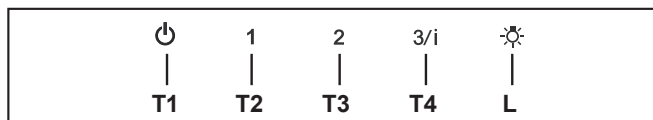


Remettez en place les filtres à graisse de l'auvent de la hotte.

## INFORMATIONS POUR L'UTILISATION ET L'ENTRETIEN

### Pour de meilleurs résultats

Activez la hotte quelques minutes avant de commencer à cuisiner pour créer un flux d'air adéquat. Laissez la hotte fonctionner quelques minutes après avoir fini de cuisiner pour absorber toute la fumée et les odeurs de la cuisine.



**T1.** Bouton Arrêt du ventilateur : éteint le ventilateur. Le ventilateur peut être allumé en appuyant sur l'un ou l'autre des boutons de réglage.

Tenez ce bouton enfoncé pendant 2 secondes pour activer la fonction de désactivation retardée, qui éteindra automatiquement le ventilateur après 15 minutes de marche.

**T2.** Boutons de réglage du ventilateur : Vitesse réduite.

**T3.** Boutons de réglage du ventilateur : Vitesse moyenne.

**T4.** Boutons de réglage du ventilateur : Vitesse élevée / Vitesse intensive.

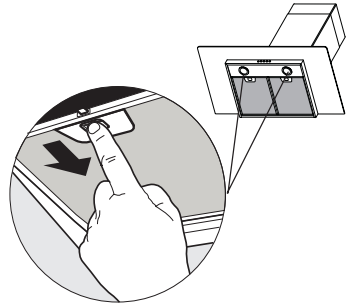
Tenez le bouton enfoncé pendant environ 2 secondes pour activer la VITESSE INTENSIVE, pour une durée de 10 minutes. Après ce délai, la vitesse retournera automatiquement à la vitesse sélectionnée précédemment. Utile pour contrer les émanations maximales de cuisson.

**L.** Bouton pour l'éclairage : Commutateur Marche/Intensité variable/Arrêt pour l'éclairage. Appuyez sur le bouton d'éclairage pour mettre l'éclairage en marche, de nouveau pour varier l'intensité et une nouvelle fois pour éteindre.

## Nettoyage des filtres à graisse métalliques

Les filtres doivent être nettoyés tous les 2 mois d'utilisation, ou plus fréquemment en cas d'utilisation particulièrement intensive. Ils peuvent être lavés dans le lave-vaisselle.

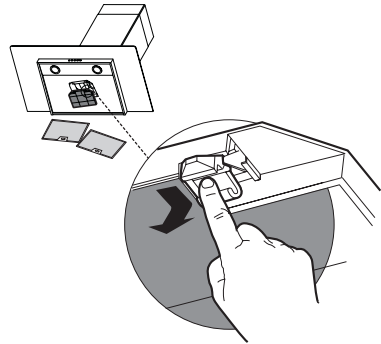
- Retirez les filtres un à un, en les poussant vers l'arrière de l'appareil et en les tirant vers le bas simultanément.
- Lavez les filtres sans les plier et laissez-les sécher complètement avant de les remettre en place. (Si la surface du filtre change de couleur au fil du temps, cela n'aura aucun impact sur l'efficacité du filtre même.)
- Remettez-le en place, en vous assurant que la poignée se trouve vers l'avant.



## Remplacement du filtre à charbon actif

Le filtre n'est pas lavable et ne peut pas être régénéré. Il doit être remplacé environ tous les 4 mois d'utilisation, ou plus souvent en cas d'utilisation particulièrement intensive.

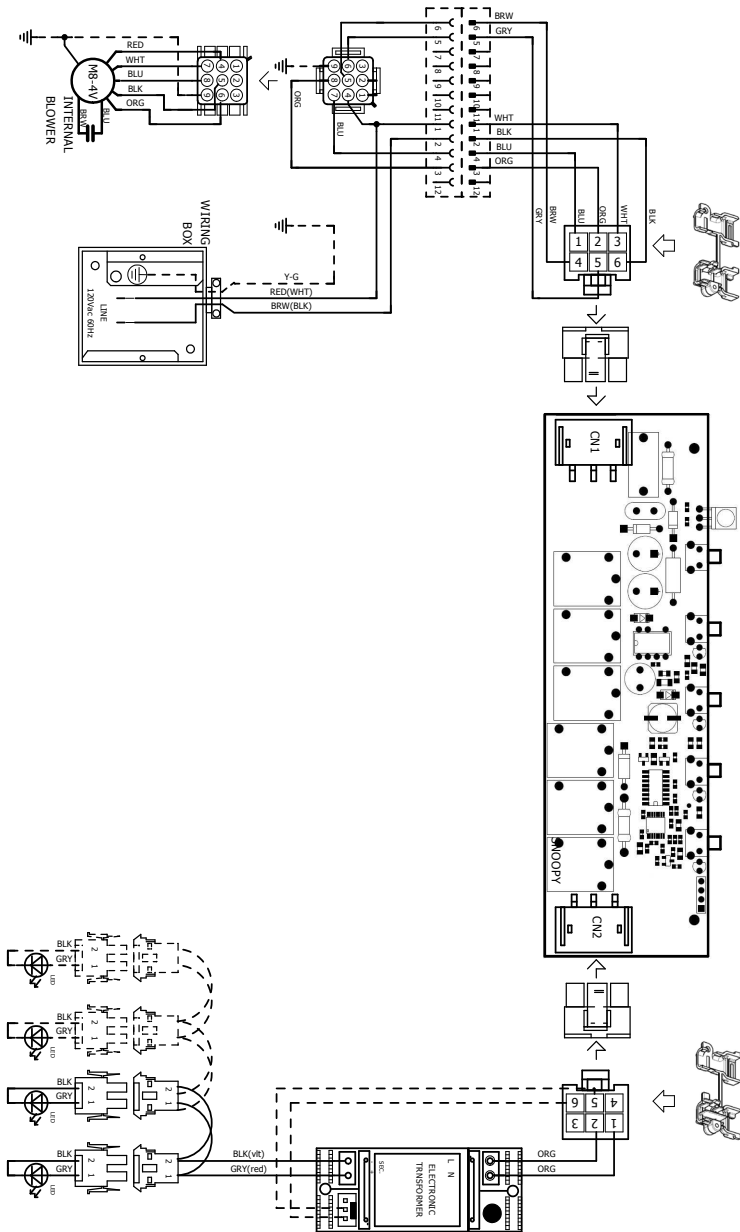
- Retirez les filtres un à un, en les poussant vers l'arrière de l'appareil et en les tirant vers le bas simultanément.
- Retirez le filtre à charbon saturé en détachant les crochets de fixation.
- Posez le nouveau filtre et fixez-le à l'emplacement adéquat.
- Remettez-le en place, en vous assurant que la poignée se trouve vers l'avant.



## Système d'éclairage

- Les ampoules DEL doivent être remplacées par un service d'entretien autorisé Faber.

# Wiring Diagram





## GARANTIE LIMITÉE ET SERVICE FABER

Tous les produits Faber font l'objet d'une garantie contre les défauts de matériel et de main-d'œuvre, accordée à l'acheteur original pour une période d'un (1) an à compter de la date d'achat initiale (preuve d'achat requise). Cette garantie couvre les frais de main-d'œuvre et les pièces de rechange. À sa discrétion, Faber peut réparer ou remplacer le produit ou les composants nécessaires à remettre le produit en bon état de marche. Pour bénéficier de services prévus par la garantie, veuillez communiquer avec le détaillant auprès duquel vous avez acheté la hotte de cuisine, ou encore avec le distributeur Faber de votre région. Si vous n'êtes pas en mesure de localiser un distributeur Faber dans votre région, veuillez communiquer avec nous au 508-358-5353 pour connaître le nom d'un distributeur à proximité.

### Les éléments suivants ne sont pas visés par la garantie Faber :

1. Les appels au service de réparation visant à corriger l'installation de la hotte de cuisine, à recevoir des instructions sur l'utilisation de la hotte de cuisine, le remplacement ou la réparation des fusibles du domicile ou la correction des câblages ou de la plomberie du domicile.
2. Les appels au service de réparation visant à réparer ou remplacer les ampoules électriques de hotte, les fusibles ou les filtres. Ces pièces consommables ne sont pas couvertes par la garantie.
3. Les réparations si votre hotte de cuisine est employée à des fins autres que celles prévues, soit l'utilisation résidentielle normale pour une famille.
4. Les dommages découlant d'un accident, d'une modification, de l'utilisation incorrecte ou abusive, d'un incendie, d'une inondation, d'un cas de force majeure, d'une installation inadéquate, d'une installation non conforme aux codes en matière d'électricité ou de plomberie ou à la documentation fournie par Faber, ou encore d'une utilisation du produit non approuvée par Faber.
5. Les frais de main-d'œuvre ou de remplacement des pièces pour les appareils utilisés à l'extérieur des États-Unis ou du Canada, y compris toutes les hottes de cuisine Faber non-UL ou C-UL homologuées.
6. Les réparations à la hotte découlant de modifications non autorisées apportées à la hotte de cuisine.
7. Les frais encourus pour les déplacements et le transport de produits en région éloignée et les frais de cueillette et livraison. La réparation des hottes de cuisine Faber doit être réalisée à domicile.

LA PRÉSENTE GARANTIE NE PRÉVOIT AUCUNE FORME DE DÉDOMMAGEMENT EN CAS DE DOMMAGES ACCESSOIRES OU CONSÉCUTIFS, Y COMPRIS, SANS TOUTEFOIS S'Y LIMITER, LES DOMMAGES DIRECTS, INDIRECTS, ACCESSOIRES, PARTICULIERS OU CONSÉCUTIFS, LES LÉSIONS CORPORELLES/MORTELLES OU LA PERTE DE PROFITS. LA GARANTIE OFFERTE PAR FABER EST LIMITÉE AUX CONDITIONS ÉNONCÉES CI-DESSUS ET À LA PÉRIODE DE GARANTIE INDIQUÉE DANS LES PRÉSENTES ET EST EXCLUSIVE. SAUF DISPOSITIONS EXPRESSES CONTRAIRES DANS LE PRÉSENT ACCORD, FABER DÉCLINE TOUTE CONDITION, REPRÉSENTATION OU GARANTIE EXPLICITE OU IMPLICITE, Y COMPRIS, SANS TOUTEFOIS S'Y LIMITER, TOUTE GARANTIE IMPLICITE DE QUALITÉ MARCHANDE OU D'ADAPTATION À UN USAGE PARTICULIER.

Les droits qui vous sont conférés en vertu de la présente garantie peuvent varier d'une province ou d'un État à l'autre.

N° de modèle : \_\_\_\_\_

N° de série : \_\_\_\_\_

4 janvier 2016





