

VCIN60RP

60-INCH CUSTOM INSERT

PROFESSIONAL SERIES



FEATURES & BENEFITS

- Suitable for wall or island applications
- Three fan speeds
- Auto function senses heat from the cooking surface and adjusts fan speeds
- Built-in 'clean filter' reminder light illuminates after 40 hours of operation
- Delayed shut-off tackles lingering odors for up to 10 minutes
- Dimmer lighting – for a soft lighting effect
- Filter systems are highly efficient at capturing grease

ACCESSORIES (OPTIONAL)

25 ft. Blower Connector Cable - EXTNCB25

For use with the following Inline and Remote Blowers:
VTR1030P, VTR1330P, VTI1010P

NOTE: VCIN Custom Insert models include hood trim pieces.

Roofplates

RFPLT1000P - For use with 1000 CFM Remote Blower
VTR1030P and 1300 CFM Blower VTR1330P

8" Wall Cap	WC8
10" Wall Cap	WC10
Roof Jack and Transition	RJ310

GENERAL PROPERTIES

Operating Mode	Ducted
Number of Speed Settings	3-Stage
Motor Location	N/A
Number of Lights	4
Bulb Type	Halogen
Total Power of the Lamps (W)	40 W
Damper Included	Yes
Grease Filter Material	Washable Stainless Steel
Grease Filter Type	Stainless-Steel Commercial Style Baffle Filter

TECHNICAL DETAILS

Watts (W)	1,020 W
Current (A)	15 A
Volts (V)	120 V
Frequency (Hz)	60 Hz
Plug Type	Fixed Connection
Power Cord / Conduit Length (in)	Direct Wire at Junction Box

DIMENSIONS & WEIGHT

Overall Appliance Dimensions (Width Of Canopy Included) (HxWxD) (in)	12 7/8" x 56 1/4" x 20 5/8"
Required Distance Above Cooktop/Range Cooking Surface	30" Electric / 30" Gas
Diameter of Air Duct (in.) Top	10"
Net Weight (lbs)	81 lbs

ACCESSORIES (REQUIRED)

Blower (Sold Separately)

BLOWER OPTIONS

Remote Blowers (Mounted to Roof or External Wall)	VTR1030P - 1000 CFM
	VTR1330P - 1300 CFM
Inline Blowers (Mounted Between Kitchen and External Wall)	VTI1010P - 1000 CFM
Integrated Blower (Mounted in Hood)	VTN1090R - 1000 CFM

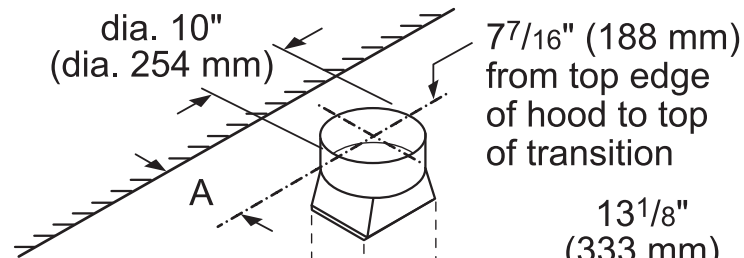
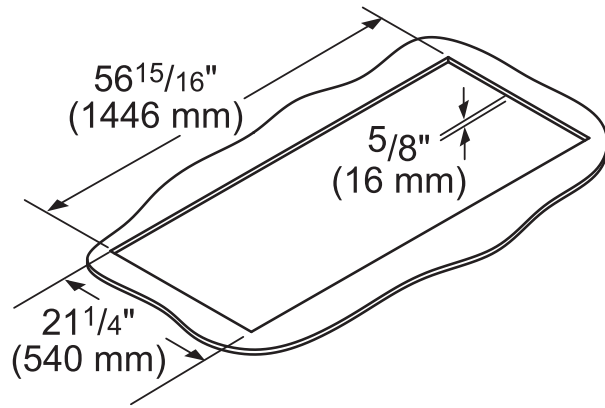
WARRANTY

Limited Warranty Parts and Labor	2 Year
----------------------------------	--------

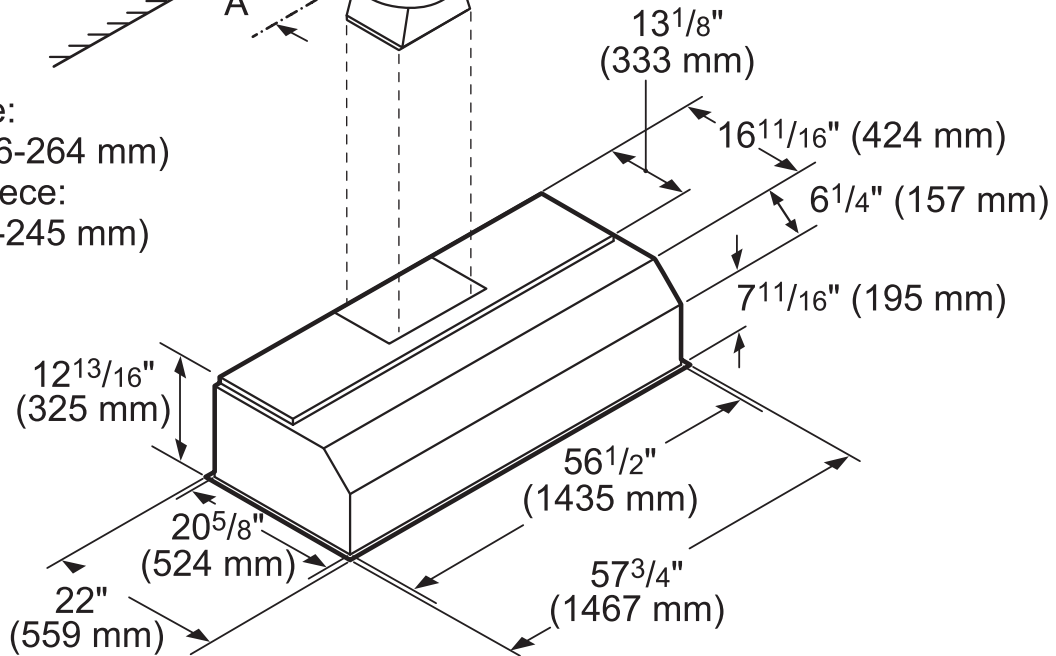
VCIN60RP
60-INCH CUSTOM INSERT
 PROFESSIONAL SERIES



HOOD DIMENSIONS
WITHOUT LINER



Dimension "A"
 With Trim piece:
 7³/₈"-10³/₈" (186-264 mm)
 Without Trim piece:
 6⁵/₈"-9⁵/₈" (168-245 mm)

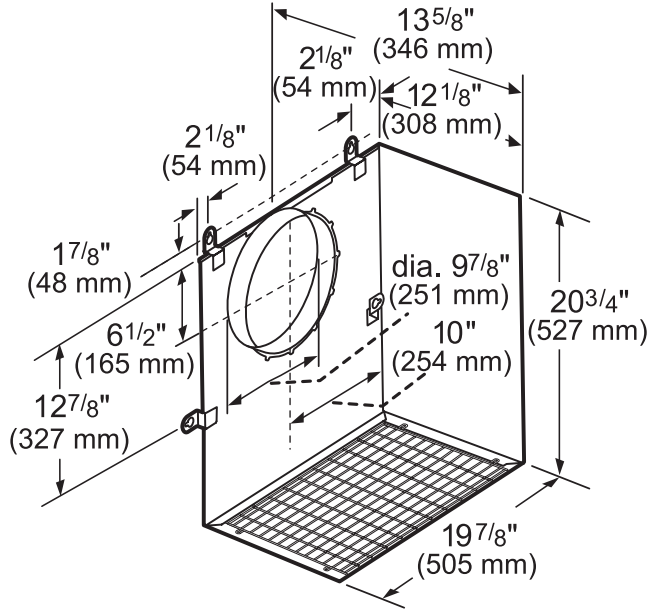


VCIN60RP
60-INCH CUSTOM INSERT
 PROFESSIONAL SERIES



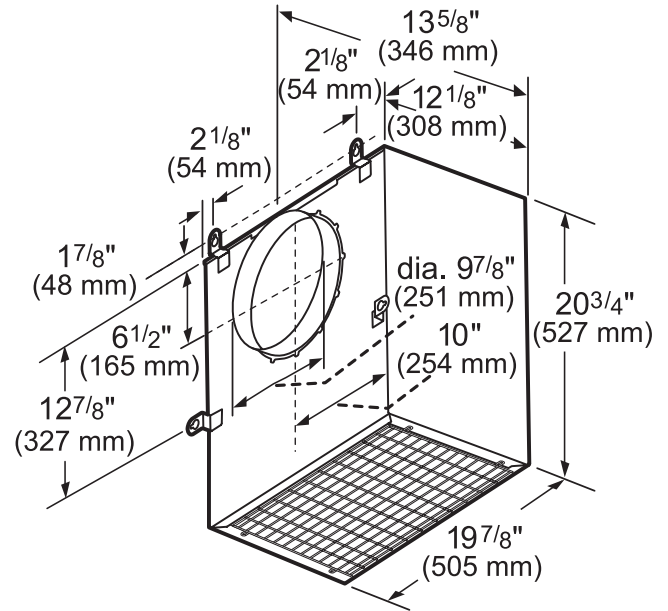
REMOTE BLOWERS (MOUNTED TO ROOF OR EXTERNAL WALL)

VTR1030P-1000 CFM



measurements in inches and mm

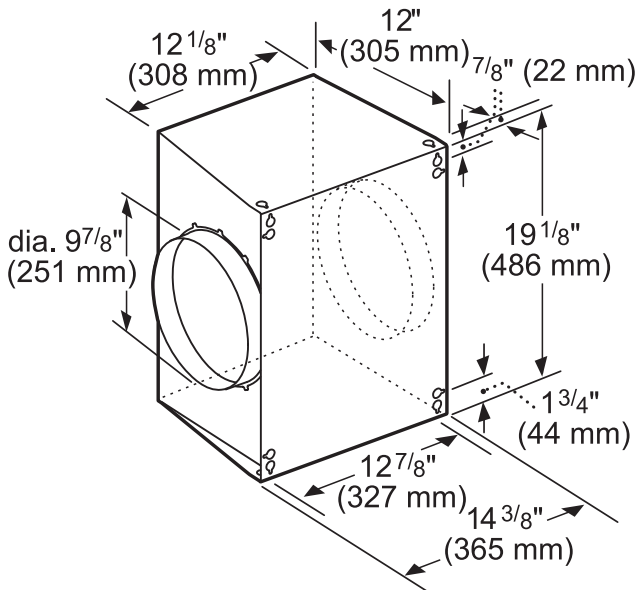
VTR1330P-1300 CFM



measurements in inches and mm

INLINE BLOWERS (MOUNTED BETWEEN KITCHEN AND EXTERNAL WALL)

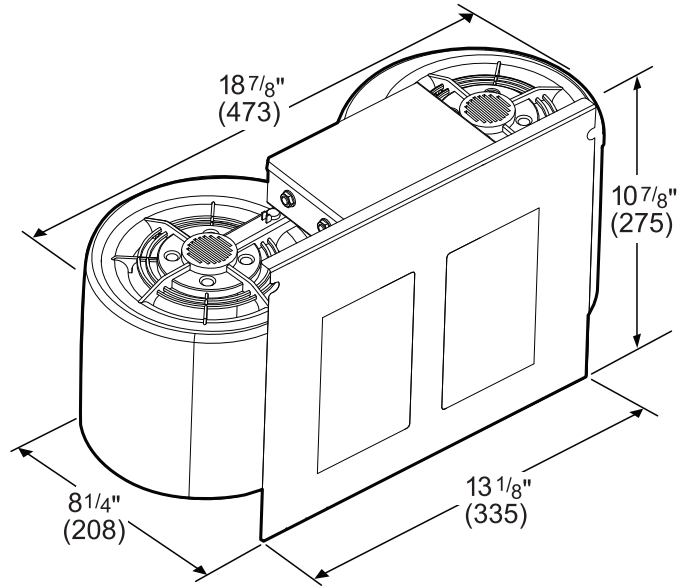
VTI1010P-1000 CFM



measurements in inches and mm

INTEGRATED BLOWERS (MOUNTED IN HOOD)

VTN1090R-1000 CFM



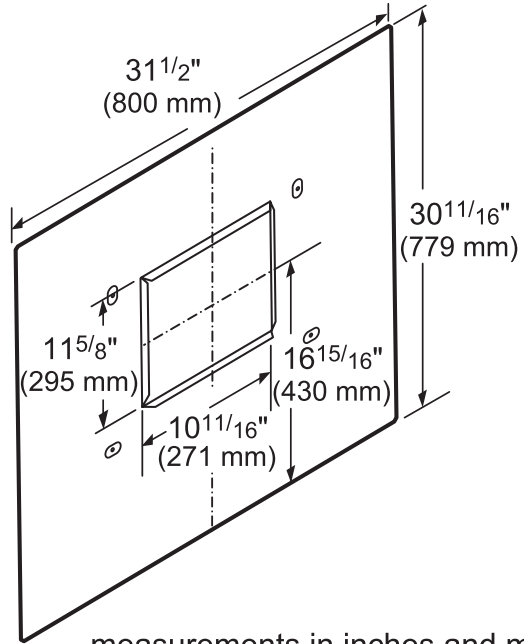
measurements in inches and mm

VCIN60RP
60-INCH CUSTOM INSERT
PROFESSIONAL SERIES



REMOTE BLOWER ACCESSORIES

ROOFPLATE-RFPLT1000P



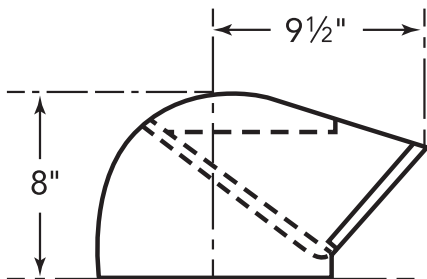
measurements in inches and mm

EXTNCB25

25 ft. Blower Connector Cable
for use with the following Inline
and Remote blowers: VTR1030P,
VTR1330P, VTI1010P

ROOF JACK & TRANSITION

ROOF JACK-RJ310

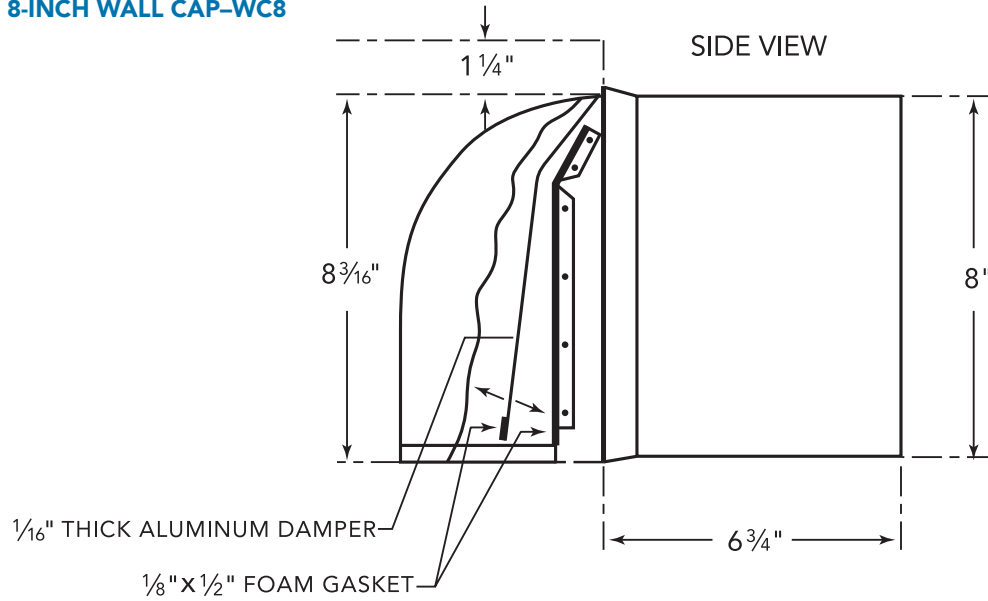


VCIN60RP
60-INCH CUSTOM INSERT
 PROFESSIONAL SERIES

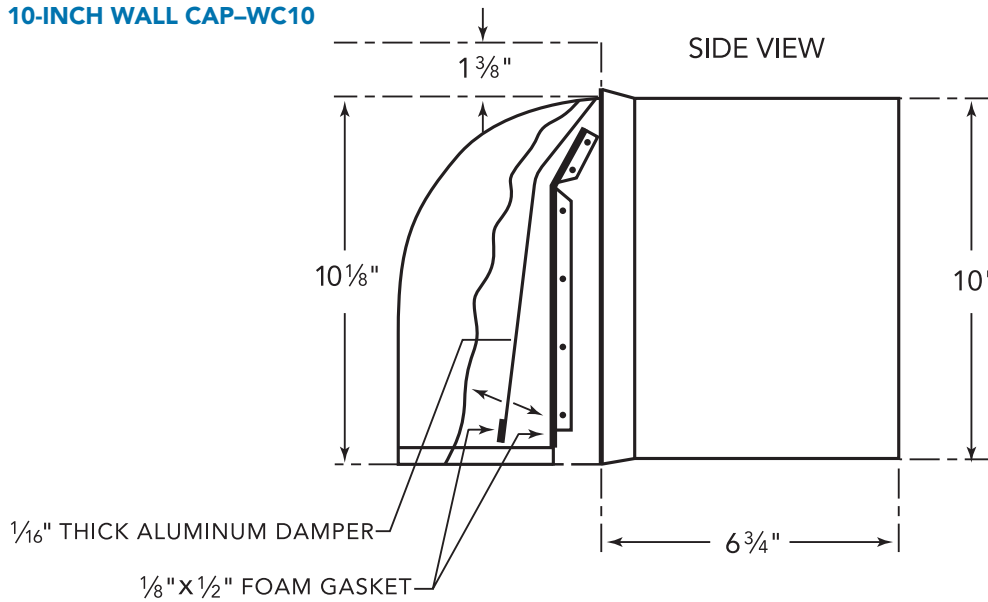


WALL CAPS

8-INCH WALL CAP-WC8



10-INCH WALL CAP-WC10



These warranties give you specific legal rights and you may have other rights that vary from state to state. Full warranty and limited warranty from date of installation. For complete warranty details, refer to your Use & Care manual, or ask your dealer.

Specifications are for planning purposes only. Refer to installation instructions and consult your countertop supplier prior to making counter opening. Consult with a heating and ventilation engineer for your specific ventilation requirements. For the most detailed information, refer to installation instructions accompanying product or write to Thermador indicating the model number. Specifications are correct at time of printing. Thermador reserves the right to change product specifications or design without notice. Some models are certified for use in Canada. Thermador is not responsible for products that are transported from the U.S. for use in Canada.