



THE PROFESSIONAL AND EURO VENT HOOD

Use and Care Guide



MODELS:

VS30

VS36

VS48

VS1236

ES30

ES36



A MESSAGE TO OUR CUSTOMERS

Thank you for selecting this DCS Professional Vent Hood. Because of this appliance's unique features we have developed this Use and Care Manual. It contains valuable information on how to properly operate and maintain your new appliance for years of safe and enjoyable cooking.

To serve you better, please fill out and submit your Product Registration by visiting our website at www.dcsappliances.com and selecting "Customer Care" on the home page and then select "Product Registration". In addition, keep this manual handy, as it will help answer questions that may arise as you use your new appliance.

For your convenience, product questions can be answered by a DCS Customer Care Representative by phone: 1-888-936-7872, or email: customer.care@fisherpaykel.com.

NOTE: Please write the Model, Code, and Serial Numbers on this page for references (located on the inner back panel, behind grease filters, below motor assembly)

MODEL NUMBER _____ CODE _____ SERIAL NUMBER _____

NOTE: Inspect the product to verify that there is no shipping damage. If any damage is detected, call the shipper and initiate a damage claim. DCS by Fisher & Paykel is not responsible for shipping damage.

DO NOT discard any packing material (box, pallet, straps) until the unit has been inspected.

APPROVED FOR INDOOR COOKING APPLIANCES AND RESIDENTIAL USE ONLY.

PLEASE READ ENTIRE INSTRUCTIONS BEFORE PROCEEDING.

Installation must comply with all local codes.



WARNING

If the information in this manual is not followed exactly, a fire or explosion may result causing property damage, personal injury or death.

Do not store or use gasoline or other flammable vapors and liquids in the vicinity of this or any other appliance.



DANGER

If You Smell Gas:

- Do not try to light any appliance.
- Do not touch any electrical switch; do not use any phone in your building.
- Immediately call your gas supplier from a neighbor's phone. Follow the gas supplier's instructions.
- If you cannot reach your gas supplier, call the fire department.
- Installation and service must be performed by a qualified installer, service agency or the gas supplier.

PLEASE RETAIN THIS MANUAL FOR FUTURE REFERENCE.

A MESSAGE TO OUR CUSTOMERS



SAFETY WARNING:

Turn off power circuit at service panel and lock out panel, before wiring this appliance.

Requirement: 120 V AC, 60 Hz. 15 A Branch Circuit



WARNING

To reduce the risk of injury to persons in the event of a rangetop grease fire, observe the following: Turn burner off first. Smother flames with a close-fitting lid, cookie sheet, or metal tray. Be careful to prevent burns. If the flames do not go out immediately evacuate and call the fire department. Never pick up a flaming pan - You may be burned. **DO NOT USE WATER**, including wet dishcloths or towels - a violent steam explosion will result. Use an extinguisher **ONLY** if:

- 1) You know you have a Class ABC extinguisher, and you already know how to operate it.
- 2) The fire is small and contained in the area where it started.
- 3) The fire department is being called.
- 4) You can fight the fire with your back to an exit.

TABLE OF CONTENTS

SAFETY PRACTICES	3-5
USE AND CARE	6-8
HOW TO OBTAIN SERVICE	9
WARRANTY	10

SAFETY PRACTICES AND PRECAUTIONS

CAUTION:

For general ventilating use only. DO NOT use to exhaust hazardous or explosive materials or vapors



WARNING:

To reduce the risk of fire, electrical shock, or injury to persons, observe the following :

- A. Use this unit only in the manner intended by the manufacturer. If you have questions, contact the manufacturer.
- B. Before servicing or cleaning the unit, switch power off at service panel and lock service panel disconnecting means to prevent power from being switched on accidentally. When the service disconnecting means cannot be locked, securely fasten a prominent warning device, such as a tag, to the service panel.
- C. Installation work and electrical wiring must be done by qualified person(s) in accordance with all applicable codes & standards, including fire-rated construction.
- D. Sufficient air is needed to maintain proper combustion and safe exhausting of gases through the flue (chimney) of fuel burning equipment to prevent backdrafting. Follow the heating equipment manufacturers guideline and safety standards such as those published by the National Fire Protection Association (NFPA), the American Society for Heating, Refrigeration and Air Conditioning Engineers (ASHRAE), and the local code authorities.
- E. When cutting or drilling into wall or ceiling, do not damage electrical wiring and other hidden utilities.
- F. Ducted systems must always be vented to the outdoors.

CAUTION:

To reduce the risk of fire and to properly exhaust air, be sure to duct air to outside. Do not vent exhaust air into spaces within walls or ceiling, nor into attics, crawl spaces, or garages.



WARNING:

To reduce the risk of fire, use only metal duct work.

Install this hood in accordance with all requirements specified.



WARNING:

To reduce the risk of fire or electric shock, do not use this hood with any external solid state speed control device.

SAFETY PRACTICES & PRECAUTIONS



WARNING:

To reduce the risk of a range top grease fire:

- A. Never leave surface units unattended at high settings. Boilovers cause smoking and greasy spillovers that may ignite. Heat oil slowly on low or medium settings.
- B. Always turn hood "ON" when cooking at high heat or when flambeing food (i.e. Crepes Suzette, Cherries Jubilee, Peppercorn Beef Flambe').
- C. Clean ventilating fans frequently. Grease should not be allowed to accumulate on fan or filter.
- D. Use proper pan size. Always use cookware appropriate for the size of the surface unit.



WARNING:

To reduce the risk of injury to persons, in the event of a range top grease fire, observe the following:

- A. SMOTHER FLAMES with a close-fitting lid, cookie sheet, or other metal tray, then turn off the gas burner or the electric element. BE CAREFUL TO PREVENT BURNS. If the flames do not go out immediately, EVACUATE AND CALL THE FIRE DEPARTMENT.
- B. NEVER PICK UP A FLAMING PAN - you may be burned.
- C. DO NOT USE WATER, including wet dishcloths or towels - a violent steam explosion may result. Do not use water on a gease fire. Burning grease and water will explode.
- D. Use an extinguisher ONLY if:
 - 1) You know you have a class ABC extinguisher, and you already know how to operate it.
 - 2) The fire is small and contained in the area where it started.
 - 3) The fire department is being called.
 - 4) You can fight the fire with your back to an exit.

NOTE: Unit MUST be vented to the outside of the building.

IMPORTANT: Refer to ducting information supplied in the Installation Manual (p/n 17797, Pg. 9)



WARNING:

To reduce the risk of electrical shock or injury to persons, all vent hoods must be installed with ventilators that have been approved for use with the hood.

CAUTION:

To reduce the risk of fire and electric shock, install this rangehood only with remote blower models specified by the Manufacturer.

SAFETY PRACTICES & PRECAUTIONS

This Vent Hood system is designed to remove smoke, cooking vapors and odors from the cooktop area.

 **WARNING:**

All wall and floor openings where the vent hood is installed must be sealed.

Consult the cooktop or range installation instructions given by the manufacturer before making any cutouts. **MOBILE HOME INSTALLATION-** The installation of this Hood must conform to the Manufactured Home Construction and Safety Standards, Title 24 CFR, Part 3280 (formerly Federal Standard for Mobile Home Construction and Safety, Title 24, HUD, Part 280). Three wire power supply must be used and the appliance wiring must be revised. See electrical requirements on page 1.

- DO NOT use 4" laundry-type wall caps.
- Flexible-type ductwork is not recommended.
- DO NOT obstruct the flow of combustion and ventilation air. Be sure a fresh air supply is available.
- Failure to follow venting requirements may result in a fire.
- Electrical ground is required on this Hood.
- If cold water pipe is interrupted by plastic, non-metallic gaskets or other materials, DO NOT use for grounding.
- DO NOT ground to a gas pipe.
- DO NOT have a fuse in the neutral or grounding circuit. A fuse in the neutral or grounding circuit could result in electrical shock.
- Check with a qualified electrician if you are in doubt as to whether the Hood is properly grounded.
- Failure to follow electrical requirements may result in a fire.
- Be sure all the range and/or cooktop controls are turned off and the appliance is cool before using any type of aerosol cleaner on or around the appliance. The chemical that produces the spraying action could, in the presence of heat, ignite or cause metal parts to corrode.
- Clean the ventilator hood and filters above the range or cooktop frequently so grease from cooking vapors does not accumulate on them.
- Service should only be done by authorized technicians. Technicians must disconnect the power supply before servicing this appliance.

 **WARNING:**

California Proposition 65 - The burning of gas cooking fuel generates some by-products which are known by the State of California to cause cancer or reproductive harm. California law requires businesses to warn customers of potential exposure to such substances. To minimize exposure to these substances, always operate this unit according to the instructions contained in this booklet and provide good ventilation to the room when cooking with gas.

USE AND CARE

CONTROL PANEL

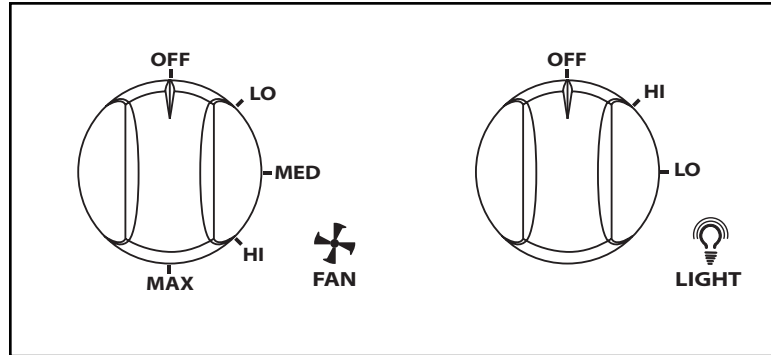


Fig. 01

FAN CONTROL

Turn to LO, MED, HI or MAX as needed. Continuous use of the fan system while cooking helps keep the kitchen comfortable and less humid. It also reduces cooking odors and soiling moisture that create a frequent need for cleaning.

ALWAYS USE THE MAX SETTING WHEN GRILLING.

LIGHT CONTROL

Turn to HI while cooking or to LO for use as a night light.

HOOD OPERATING INSTRUCTIONS

The blower should be turned on for a few minutes before cooking in order to establish air currents upward through the hood. Thus when heat, smoke, moisture, grease and cooking odors are produced, they will be carried outside instead of drifting into other rooms. Use the low speeds for normal use and the higher speeds for strong odors or fumes. Drafts across the range or cooktop will cause the escape of heat, smoke, moisture, grease and cooking odors from the hood. Such drafts should be prevented in so far as possible. The best job of ventilation in the kitchen is done where the only air currents are those created by the blower itself.

USE AND CARE

BLOWER

The motor is operated by LO/MED/HI/MAX speed control switch. You may change the speed of the motor depending on the amount of grease and smoke you are creating while cooking.

ALWAYS USE THE MAX SETTING WHEN GRILLING.

FILTERS AND DRIP TRAYS

These hoods have reusable metal grease baffles and drip trays. The metal baffles channel grease released by foods on the cooktop into the drip trays. The baffles also help prevent flaming foods on the cooktop from damaging the inside of the hood. For this reason, the baffles must **ALWAYS** be in place when the hood is used. The grease baffles and drip trays should be cleaned once a month, or as needed.

To clean the grease baffles and drip trays, drain and wipe all excess grease with a dry paper towel. Soak them and then swish them around in hot water and detergent. Don't use ammonia or ammonia products because they will darken the metal. Do not use abrasives or oven cleaners. Rinse, shake and let them dry before replacing. **They may also be cleaned in the dishwasher.**

TO REMOVE:

Grasp the baffle knobs and pull them up, forward and out. Grasp the drip tray and carefully lift it up and out of the hood track.

To replace the drip trays:

1. Place and seat the drip tray into the hood track.
2. Slide them left or right until all trays are side-by-side in place in the track.

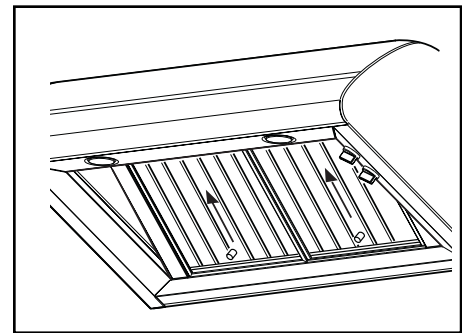


Fig. 02

To replace the baffles:

1. Hold the baffle at the bottom by one of the knobs .
2. Place the other end of the baffle against the inside front of the hood.
3. Slide it up and push the bottom end back until it firmly seats into place.

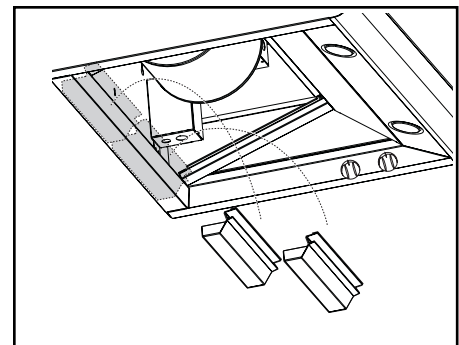


Fig. 03

To remove filters (Euro vent hood only):

1. Push handle towards the rear, then rotate the filters outwards.
2. To replace proceed in reverse order.

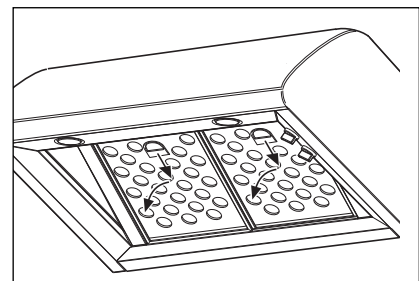


Fig. 04

USE AND CARE

TO CLEAN HOOD SURFACE

- For general care, wipe the outside of the stainless steel with sudsy water or household cleaners such as Fantastic® or Formula 409®, rinse well and dry with clean soft cloth to avoid water marks.
- Wipe and dry brushed stainless steel in the same direction as the grain.
- Do not use abrasive products.
- To remove finger prints and give added shine use spray cleaners such as Stainless Steel Magic® and Shimmer®

LIGHTS

CAUTION:

Before replacing the lamps, switch power off at service panel and lock service panel disconnecting means to prevent power from being switched on accidentally.

NOTE: Turn off the lights and fan. Allow the lights to cool before handling. If new lights do not operate, be sure lights are inserted correctly before calling service.

REPLACE LIGHTS

- Remove the damaged light (twist counter clockwise) and replace with a new 120 Volt, 50 Watt (maximum) 50° halogen light made for a GU10 base.



WARNING:

Halogen lamps are constructed of a glass bulb with a pressurized internal filament tube that operates at high temperatures and could unexpectedly shatter. Should the outer bulb break, particles of extremely hot glass could be discharged into the fixture enclosure and/or surrounding environment, thereby creating a risk of personal injury or fire. When replacing the bulb, let the bulb cool, and assure that power to the light has been turned off. Never allow the hot bulb to come into contact with water. **DO NOT TOUCH** the Light Bulb when in use. They may be hot enough to cause injury.

INFRARED LAMP AND PANEL KIT:

Optional infrared lamp and panel kit can be ordered separately and mounted into your vent hood: Models available are IR30, IR36 and IR48.



WARNING

To avoid any electrical shock the installation of the IR lamp should be done by a qualified electrician and before starting the installation of the hood.

HOW TO OBTAIN SERVICE

BEFORE YOU CALL FOR SERVICE

- Is the circuit breaker tripped or the fuse blown?
- Is there a power outage in the area?

For warranty service, please contact your local service provider or DCS Customer Care Representative at (888) 936-7872. Before you call, please have the following information ready:

- Model Number (located on the inner back panel, behind grease filters, below motor assembly)
- Serial Number (located on the inner back panel, behind grease filters, below motor assembly)
- Code (located on the inner back panel, behind grease filters, below motor assembly)
- Date of installation
- A brief description of the problem
- Proof of purchase

Your satisfaction is of the utmost importance to us. If a problem cannot be resolved to your satisfaction, please call, write or email us at:

Write:

Fisher & Paykel Appliances, Inc.
Attention: DCS Customer Care
5900 Skylab Road
Huntington Beach, CA 92647

email: customer.care@fisherpaykel.com

WARRANTY

LIMITED WARRANTY

When you purchase a new DCS Ventilation Product for personal or consumer use you automatically receive a One year Limited Warranty covering parts and labor for the entire product, and a Five year Limited Warranty on the switches and motor (parts only) for servicing within the 48 mainland United States, Hawaii, Washington D.C and Canada. In Alaska the Limited Warranty is the same except that you must pay to ship the Product to the service shop or for the service technician's travel to your home. Products for use in Canada must be purchased through the Canadian distribution channel to ensure regulatory compliance.

If the Product is installed in a motor vehicle, boat or similar mobile facility, you receive the same One year Limited Warranty, but you must bring the vehicle, boat or mobile facility containing the Product to the service shop at your expense or pay the service technician's travel to the location of the Product.

FISHER & PAYKEL UNDERTAKES TO:

Repair without cost to the owner either for material or labor any part of the Product, the serial number of which appears on the Product, which is found to be defective. In Alaska, you must pay to ship the Product to the service shop or for the service technician's travel to your home. If the Product is installed in a motor vehicle, boat or similar mobile facility, you must bring it to the service shop at your expense or pay for the service technician's travel to the location of the Product. If we are unable to repair a defective part of the Product after a reasonable number of attempts, at our option we may replace the part or the Product, or we may provide you a full refund of the purchase price of the Product (not including installation or other charges).

This warranty extends to the original purchaser and any succeeding owner of the Product for products purchased for ordinary single-family home use. All service under this Limited Warranty shall be provided by Fisher & Paykel or its Authorized DCS Service Agent during normal business hours.

HOW LONG DOES THIS LIMITED WARRANTY LAST?

Our liability under this Limited Warranty for the entire product expires One Year from the date of purchase of the Product by the first consumer. Our liability under this Limited Warranty for the switches and motor (parts only) expires Five Years from the date of purchase of the Product by the first consumer.

Our liability under any implied warranties, including the implied warranty of merchantability (an unwritten warranty that the Product is fit for ordinary use) also expires One Year (or such longer period as required by applicable law) from the date of purchase of the Product by the first consumer. Some states do not allow limitations on how long an implied warranty lasts, so this limit on implied warranties may not apply to you.

THIS WARRANTY DOES NOT COVER:

- A. Service calls that are not related to any defect in the Product. The cost of a service call will be charged if the problem is not found to be a defect of the Product. For example:
1. Correct faulty installation of the Product.
 2. Instruct you how to use the Product.
 3. Replace house fuses, reset circuit breakers, correct house wiring or plumbing, or replace light bulbs.
 4. Correct fault(s) caused by the user.
 5. Change the set-up of the Product.
 6. Unauthorized modifications of the Product.

WARRANTY

7. Noise or vibration that is considered normal, for example, drain/fan sounds, regeneration noises or user warning beeps.
 8. Correcting damage caused by pests, for example, rats, cockroaches etc.
- B. Defects caused by factors other than:
1. Normal domestic use or
 2. Use in accordance with the Product's Use and Care Guide.
- C. Defects to the Product caused by accident, neglect, misuse, fire, flood or Act of God.
- D. The cost of repairs carried out by non-authorized repairers or the cost of correcting such unauthorized repairs.
- E. Travel Fees and associated charges incurred when the product is installed in a location with limited or restricted access. (i.e. airplane flights, ferry charges, isolated geographic areas).
- F. Normal recommended maintenance as set forth in the Product's Use and Care Guide.

If you have an installation problem contact your dealer or installer. You are responsible for providing adequate electrical, exhausting and other connection facilities. We are not responsible for consequential or incidental damages (the cost of repairing or replacing other property damaged if the Product is defective or any of your expenses caused if the Product is defective). Some states do not allow the exclusion or limitation of incidental or consequential damages, so the above limitation or exclusion may not apply to you.

HOW TO GET SERVICE

Please read your Use and Care Guide. If you then have any questions about operating the Product, need the name of your local DCS Authorized Service Agent, or believe the Product is defective and wish service under this Limited Warranty, please contact your dealer or call us at:

TOLL FREE 1-888-936-7872 or contact us through our web site: www.dcsappliances.com.

You may be required to provide reasonable proof of the date of purchase of the Product before the Product will be serviced under this Limited Warranty.

COMMERCIAL USE

This warranty applies to appliances used in residential applications; it does not cover their use in commercial situations.

NO OTHER WARRANTIES

This Limited Warranty is the complete and exclusive agreement between you and Fisher & Paykel Appliances, Inc. regarding any defect in the Product. None of our employees (or our Authorized Service Agents) are authorised to make any addition or modification to this Limited Warranty.

Warrantor: Fisher & Paykel Appliances, Inc.

If you need further help concerning this Limited Warranty, please call us at the above number, or write to:

Fisher & Paykel Appliances, Inc.
5900 Skylab Road, Huntington Beach, CA 92647

This Limited Warranty gives you specific legal rights, and you may also have other rights which vary from state to state.



LA HOTTE DE VENTILATION EUROPÉENNE PROFESSIONNELLE

Manuel d'utilisation et d'entretien



MODÈLES :

VS30	VS1236
VS36	ES30
VS48	ES36



À L'INTENTION DE NOS CLIENTS

Nous vous remercions d'avoir choisi cette hotte à évacuation professionnelle DCS. Nous avons conçu ce Manuel d'utilisation et d'installation pour expliquer ses fonctions uniques. Il contient des informations extrêmement utiles sur la façon de faire fonctionner et d'entretenir correctement votre nouvel appareil. Vous pourrez ainsi en profiter pendant des années en toute sécurité.

Aidez-nous à mieux vous servir en remplissant l'enregistrement de produit et en nous la soumettant depuis notre site Web à www.dcsappliances.com. Sélectionnez « Customer Care » sur la page d'accueil puis « Product Registration ». De plus, gardez ce manuel à portée de main afin de rapidement trouver réponse à vos questions durant l'utilisation de votre nouvel appareil.

Si vous avez des questions au sujet de notre produit, communiquez avec un représentant du service à la clientèle DCS par téléphone : 1-888-936-7872, ou par courriel : customer.care@fisherpaykel.com.

REMARQUE : Veuillez noter les numéros de modèle et de série sur cette page pour information (situé sur le panneau arrière interne, derrière les filtres à graisses, sous l'ensemble moteur)

NUMÉRO DE MODÈLE _____ CODE _____ NUMÉRO DE SÉRIE _____

REMARQUE : Inspecter le produit pour vérifier qu'il n'a pas été endommagé pendant l'expédition. En cas de dommages, contacter le transporteur et entamer une déclaration pour dommage. DCS by Fisher & Paykel n'est en aucun cas responsable des dommages pendant l'expédition.

Ne pas jeter le matériau d'emballage (boîte, palette, sangles) avant d'avoir inspecté l'unité.

AUTORISÉ POUR APPAREILS ÉLECTROMÉNAGERS INTÉRIEURS ET POUR USAGE RÉSIDENTIEL SEULEMENT.

VEUILLEZ LIRE TOUTES LES INSTRUCTIONS AVANT DE COMMENCER.

L'installation doit être conforme aux codes en vigueur.



AVERTISSEMENT

Si les informations de ce manuel ne sont pas suivies à la lettre, un incendie ou une explosion peuvent se produire et causer des dommages matériels, des blessures ou la mort.

Évitez de stocker ou d'utiliser de l'essence ou tout autre liquide et vapeur inflammable à proximité de cet appareil électroménager ou de tout autre.



DANGER

Si vous sentez une odeur de gaz :

- N'essayez pas d'allumer aucun appareil électroménager.
- Ne touchez aucun interrupteur électrique; n'utilisez aucun téléphone dans l'édifice.
- Appelez immédiatement votre fournisseur de gaz de chez un voisin. Suivez les instructions du fournisseur de gaz.
- Si vous n'arrivez pas à joindre votre fournisseur de gaz, appelez les pompiers.
- Toute installation ou service doit être confié à un installateur qualifié, un organisme de service ou le fournisseur de gaz.

À L'INTENTION DE NOS CLIENTS



AVERTISSEMENT RELATIF À LA SÉCURITÉ :

Coupez le circuit électrique au niveau du panneau de service et verrouillez le panneau avant de brancher cet appareil électroménager.
Alimentation : Circuit de branchement de 120 V c.a., 60 Hz, 15 A.



AVERTISSEMENT

Pour réduire les risques de blessures en cas de feu de graisse sur la cuisinière, respectez les consignes suivantes : Éteignez d'abord le brûleur. Étouffez les flammes à l'aide d'un couvercle hermétique, d'une plaque à biscuits ou d'un plateau métallique. Attention à ne pas vous brûler. Si les flammes ne s'éteignent pas immédiatement, évacuez les lieux et appelez les pompiers. Ne prenez jamais en main une poêle ou une casserole qui a pris feu - Vous pourriez vous brûler. N'UTILISEZ PAS D'EAU, y compris des serviettes mouillées; une explosion de vapeur violente pourrait en résulter. Utilisez un extincteur SEULEMENT si :

- 1) Vous êtes sûr qu'il s'agit d'un extincteur de classe ABC et savez comment le faire fonctionner.
- 2) Ce n'est pas un très gros incendie et qu'il se limite à l'endroit où il s'est déclenché.
- 3) Vous êtes en train d'avertir les pompiers.
- 4) Vous pouvez combattre l'incendie le dos tourné vers une sortie.

VEUILLEZ CONSERVER CE MANUEL À TITRE DE RÉFÉRENCE.

TABLE DES MATIÈRES

CONSIGNES DE SÉCURITÉ	3-5
ENTRETIEN ET UTILISATION	6-8
POUR L'OBTENTION DE SERVICE	9
GARANTIE	10

MESURES DE SÉCURITÉ ET DE PRÉCAUTION

MISE EN GARDE :

Pour ventilation générale seulement. **N'UTILISEZ** pas l'appareil pour évacuer des substances ou vapeurs dangereuses ou explosives.



AVERTISSEMENT :

Pour réduire les risques d'incendie, de choc électrique ou de blessures, respectez les consignes suivantes :

- A. Utilisez l'appareil strictement selon les consignes du fabricant et communiquez avec celui-ci si vous avez des questions.
- B. Avant tout entretien ou nettoyage, coupez le courant au niveau du panneau de service et verrouillez le dispositif de sectionnement pour éviter une mise sous tension accidentelle. S'il ne peut être verrouillé, fixez solidement un avertissement clairement visible (une étiquette, p. ex.) au panneau de service.
- C. L'installation et le câblage électrique doivent être effectués par des personnes qualifiées conformément aux codes et normes en vigueur, y compris les constructions classées résistant au feu.
- D. Pour éviter le refoulement d'air, une quantité d'air suffisante est nécessaire pour assurer une bonne combustion et l'évacuation des gaz à travers le carneau (cheminée) de l'appareil. Suivez les consignes du fabricant de l'appareil de cuisson ainsi que les normes de sécurité comme celles publiées par la National Fire Protection Association (NFPA) et la American Society for Heating, Refrigeration and Air Conditioning Engineers (ASHRAE), ainsi que les normes locales.
- E. Lorsque vous découpez ou percez les murs ou le plafond, évitez d'endommager le câblage électrique et autres installations des services publics pouvant être dissimulées.
- F. Les systèmes à conduits doivent toujours être évacués vers l'extérieur.

MISE EN GARDE :

Pour réduire les risques d'incendie et pour assurer une bonne évacuation de l'air, veillez à ce que l'air soit acheminé vers l'extérieur. Ne rejetez pas l'air évacué dans les espaces entre les murs ou les plafonds, ni dans les greniers, les galeries ou les garages.



AVERTISSEMENT :

Pour réduire les risques d'incendie, utilisez des conduits métalliques uniquement.

Installez cette hotte conformément à toutes les exigences spécifiées.



AVERTISSEMENT :

Afin de réduire les risques d'incendie ou de choc électrique, évitez d'utiliser cette hotte avec un appareil externe de contrôle de vitesse transistorisé.

MESURES DE SÉCURITÉ ET DE PRÉCAUTION



AVERTISSEMENT :

Pour réduire les risques de feu de graisse sur la cuisinière :

- A. Ne laissez jamais les plaques de cuisson sur réglage élevé sans surveillance. L'ébullition peut provoquer des débordements graisseux pleins de fumée pouvant prendre feu. Chauffez l'huile lentement, à feu doux ou moyen.
- B. Allumez toujours la hotte lorsque vous cuisez à feu vif ou que vous cuisinez des plats flambés (par ex. crêpes Suzette, cerise jubilé, steak au poivre flambé).
- C. Nettoyez régulièrement les ailes des ventilateurs. Ne laissez pas s'accumuler la graisse sur le ventilateur ou le filtre.
- D. Utilisez des récipients de taille appropriée. Utilisez toujours des ustensiles de cuisson dont la taille est appropriée à la surface de votre élément de cuisson.



AVERTISSEMENT :

Pour réduire les risques de blessures au cas où la cuisinière prendrait feu, respectez les consignes suivantes :

- A. ÉTOUFFEZ LES FLAMMES à l'aide d'un couvercle hermétique, d'une plaque à biscuits ou d'un plateau métallique, puis éteignez le brûleur ou l'élément chauffant. ATTENTION À NE PAS VOUS BRÛLER. Si les flammes ne s'éteignent pas immédiatement, ÉVACUEZ LES LIEUX ET APPELEZ LES POMPIERS.
- B. NE PRENEZ JAMAIS EN MAIN UNE POÊLE OU UNE CASSEROLE QUI A PRIS FEU - Vous pourriez vous brûler.
- C. N'UTILISEZ PAS D'EAU, ni torchons ou serviettes mouillées - vous provoqueriez une violente explosion de vapeur. Ne versez pas d'eau sur les feux de graisse. Le mélange de graisse brûlante et d'eau provoquera une explosion.
- D. Utilisez un extincteur SEULEMENT si :
 - 1) Vous savez que vous avez un extincteur de classe ABC et vous en connaissez déjà le mode d'emploi.
 - 2) L'incendie est limité et se limite à l'endroit où il s'est déclenché.
 - 3) Vous êtes en train d'avertir les pompiers.
 - 4) Vous pouvez combattre l'incendie le dos tourné vers une sortie.

REMARQUE : L'appareil DOIT évacuer l'air vers l'extérieur du bâtiment.

IMPORTANT : Reportez-vous aux informations sur les conduits indiquées dans le Manuel d'installation (réf. 17797, page 9)



AVERTISSEMENT :

Pour réduire les risques de choc électrique ou de blessures, les hottes à évacuation doivent être installées avec des ventilateurs dont l'utilisation avec ces hottes a été approuvée.

MISE EN GARDE :

Afin de réduire les risques d'incendie et de choc électrique, installez cette hotte seulement sur des modèles dotés de ventilateurs à distance spécifiés par le fabricant.

MESURES DE SÉCURITÉ ET DE PRÉCAUTION

Ce système de hotte est conçu pour évacuer la fumée, les vapeurs de cuisson et les odeurs provenant de la table de cuisson.



AVERTISSEMENT :

Toutes les ouvertures murales et de plancher où est installée la hotte doivent être scellées.

Avant d'effectuer les découpes, consultez les instructions de montage de la table de cuisson ou de la cuisinière fournies par le fabricant. **INSTALLATION DANS UNE MAISON MOBILE** - L'installation de cette hotte doit respecter les normes Manufactured Home Construction and Safety Standards, Titre 24 CFR, Section 3280 (ancienne appellation : Federal Standard for Mobile Home Construction and Safety, Titre 24, HUD, Section 280). Une alimentation à trois fils doit être utilisée et le câblage de l'appareil doit être révisé. Voir les exigences électriques à la page 1.

- N'UTILISEZ PAS de chapeaux de mur de 4 po.
- Les conduits flexibles ne sont pas recommandés.
- ÉVITEZ d'obstruer le flot d'air de combustion et de ventilation. Assurez toujours un apport d'air frais.
- Le non-respect des exigences de ventilation peut causer un incendie.
- Cette hotte exige une mise à la terre électrique.
- ÉVITEZ d'utiliser le tuyau d'eau froide comme prise de terre s'il est interrompu par des joints non métalliques en plastique ou d'autres matériaux.
- N'UTILISEZ PAS le tuyau de gaz comme prise de terre.
- ÉVITEZ de placer un fusible dans le circuit neutre ou de terre car cela pourrait provoquer un choc électrique.
- Consultez un électricien qualifié si vous avez des doutes concernant la mise à la terre de la hotte.
- Le non-respect des exigences électriques peut causer un incendie.
- Assurez-vous que les boutons de la cuisinière ou de la table de cuisson sont fermés et que l'appareil est froid avant d'utiliser des nettoyants aérosol sur l'appareil ou à proximité. L'élément chimique qui produit le jet de vaporisation peut, en présence de chaleur, s'enflammer ou provoquer la corrosion des parties métalliques.
- Nettoyez fréquemment la hotte et les filtres de ventilation surplombant la cuisinière ou table de cuisson afin d'empêcher toute accumulation de graisse provenant des vapeurs de cuisson.
- ÉTEIGNEZ le ventilateur en cas d'incendie ou si vous flambez intentionnellement des liqueurs ou des spiritueux sur la table de cuisson. Si le ventilateur est en marche, il pourrait en effet répandre les flammes.
- Les réparations doivent être effectuées par des techniciens agréés uniquement. Ceux-ci doivent débrancher le bloc d'alimentation avant de travailler sur l'appareil.



AVERTISSEMENT :

Proposition 65 de la Californie - L'incinération de gaz de cuisson génère des sous-produits considérés par l'État de Californie comme pouvant causer le cancer ou des malformations congénitales. Les lois de Californie exigent que les entreprises avertissent leurs clients qu'ils risquent d'être exposés à de telles substances. Pour minimiser l'exposition à ces substances, faites toujours fonctionner l'appareil conformément aux instructions contenues dans ce manuel et assurez une bonne ventilation lorsque vous cuisinez au gaz.

ENTRETIEN ET UTILISATION

PANNEAU DE CONTRÔLE

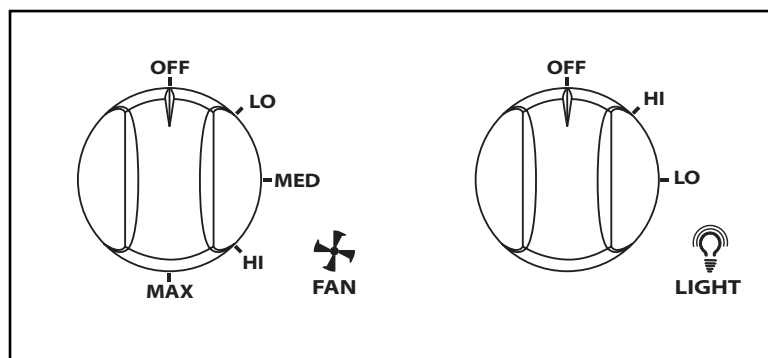


Fig. 01

CONTRÔLE DU VENTILATEUR

Réglez le ventilateur sur LO, MED, HI ou MAX (BAS, MOYEN, HAUT ou MAX) selon le besoin. L'utilisation continue du ventilateur durant la cuisson permet de rendre la cuisine confortable et moins humide. Celui réduit également les odeurs de cuisson et l'accumulation de graisses, ce qui oblige à nettoyer fréquemment sinon.

UTILISEZ TOUJOURS LE RÉGLAGE MAX LORSQUE VOUS GRILLEZ DES ALIMENTS.

CONTRÔLE DE LUMIÈRE

Réglez le bouton à HI (HAUT) durant la cuisson ou LO (BAS) pour vous servir de la lumière comme veilleuse.

MODE D'EMPLOI DE LA HOTTE

Allumez le ventilateur pendant quelques minutes avant la cuisson afin d'établir un courant d'air ascendant vers la hotte. Ainsi, la chaleur, la fumée, l'humidité, les graisses et les odeurs de cuisson produites seront évacuées à l'extérieur au lieu de pénétrer dans les autres pièces. Utilisez les basses vitesses pour un usage normal et les hautes vitesses pour les fortes odeurs ou les fumées. Tout courant d'air au-dessus de la cuisinière ou de la table de cuisson gênera l'évacuation de la chaleur, de la fumée, de l'humidité, des graisses et des odeurs de cuisson par la hotte. Évitez ces courants d'air dans la mesure du possible. Vous obtiendrez une ventilation idéale dans la cuisine si les seuls courants d'air présents sont ceux provenant du ventilateur.

ENTRETIEN ET UTILISATION

VENTILATEUR

Le moteur est contrôlé à l'aide d'un bouton de contrôle de vitesse LO/MED/HI/MAX (BAS/MOYEN/HAUT/MAX). Vous pouvez changer la vitesse du moteur en fonction de la quantité de graisse et de fumée produite durant la cuisson.

UTILISEZ TOUJOURS LE RÉGLAGE MAX LORSQUE VOUS GRILLEZ DES ALIMENTS.

FILTRES ET RÉCIPIENTS À GRAISSE

Cette hotte est dotée de baffles et de récipients à graisse métalliques réutilisables. Les baffles métalliques acheminent la graisse de cuisson dans les récipients à graisse. Les baffles empêchent aussi les aliments flambés sur la table de cuisson d'endommager l'intérieur de la hotte. Par conséquent, vous devez **TOUJOURS** mettre les baffles en place lorsque la hotte est utilisée. Nettoyez les baffles et les récipients à graisse une fois par mois ou selon le besoin.

Pour nettoyer les baffles et les récipients à graisse, égouttez et essuyez toute trace de graisse à l'aide d'une serviette en papier. Faites-les tremper, puis remuez-les dans un mélange d'eau chaude et de détergent. N'utilisez pas d'ammoniaque ou de produits à base ammoniaque car ceux-ci peuvent foncer le métal. N'utilisez pas de nettoyeurs abrasifs ni de produits à nettoyer les fours. Rincez, égouttez et laissez-les sécher avant de les replacer. **Vous pouvez également les laver dans le lave-vaisselle.**

RETRAIT :

Saisissez les boutons des baffles et tirez vers le haut et vers l'avant. Saisissez le récipient à graisse et tirez-le soigneusement pour l'extraire du rail de la hotte.

Pour replacer les récipients à graisse :

1. Positionnez et enfoncez le récipient à graisse sur le rail de la hotte.
2. Glissez-les vers la gauche ou la droite jusqu'à ce qu'ils soient juxtaposés dans la rainure.

Pour replacer les baffles :

1. Tenez la baffle par le bas par un des boutons.
2. Placez l'autre extrémité de la baffle contre la partie intérieure avant de la hotte.
3. Glissez-la et enfoncez la partie inférieure vers l'arrière jusqu'à ce qu'elle soit bien en place.

Retrait des filtres (hotte à évacuation européenne seulement) :

1. Poussez les poignées vers l'arrière, puis tournez les filtres vers l'extérieur.
2. Procédez en ordre inverse pour les remettre en place.

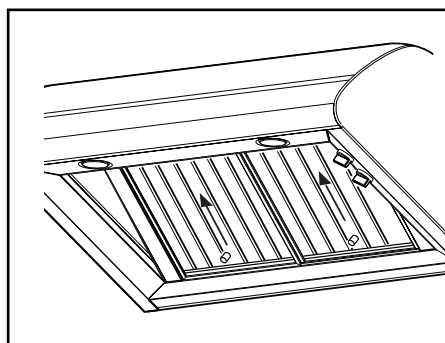


Fig. 02

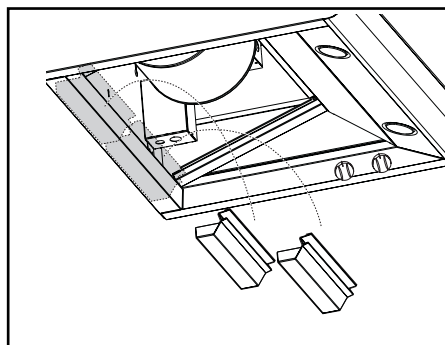


Fig. 03

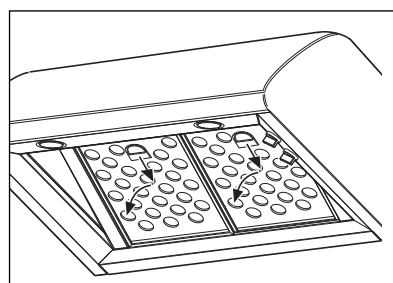


Fig. 04

ENTRETIEN ET UTILISATION

NETTOYAGE DE LA SURFACE DE LA HOTTE

- Pour un entretien général, essuyez l'extérieur en acier inoxydable avec de l'eau savonneuse ou des nettoyants ménagers tel que Fantastic^{MD} ou Formula 409^{MD}, rincez soigneusement puis séchez à l'aide d'un linge doux et propre pour éviter de laisser des marques d'eau.
- Essuyez et séchez l'acier inoxydable brossé dans le sens du grain.
- N'utilisez pas de produits abrasifs.
- Pour enlever les traces de doigts et donner un plus grand éclat, utilisez des nettoyants en aérosol tel que Stainless Steel Magic^{MD} et Shimmer^{MD}.

LUMIÈRES

MISE EN GARDE :

Avant de remplacer les ampoules, coupez le courant au niveau du panneau de service et verrouillez le dispositif de sectionnement pour éviter une mise sous tension accidentelle.

REMARQUE : Éteignez les lumières et le ventilateur. Laissez refroidir les lumières avant de les manipuler. Si les ampoules neuves ne fonctionnent pas, assurez-vous qu'elles sont insérées correctement avant d'appeler le service technique

REPLACEMENT DES AMPOULES

- Retirez l'ampoule endommagée (tourner dans le sens contraire des aiguilles d'une montre) et remplacez-la par une ampoule halogène neuve de 120 volts, 50 watts (maximum) 50° prévue pour une douille GU10.



AVERTISSEMENT :

Les lampes halogènes sont faites d'une ampoule de verre comportant un tube à filament interne pressurisé fonctionnant à températures élevées et pouvant éclater subitement. Si l'ampoule externe casse, des particules de verre extrêmement chaudes peuvent être relâchées dans l'enceinte du dispositif d'éclairage ou dans son environnement, créant ainsi un risque de blessures ou d'incendie. Avant de remplacer une ampoule, laissez-la refroidir et assurez-vous que le courant est coupé. Ne laissez jamais une ampoule chaude entrer en contact avec l'eau. **NE TOUCHEZ PAS** l'ampoule d'éclairage lorsqu'elle est allumée. Elle pourrait être suffisamment chaude pour vous blesser.

LAMPE INFRAROUGE ET PANNEAU :

La lampe infrarouge et le kit de panneau en option peuvent être commandés séparément et installés dans votre hotte à évacuation. Modèles disponibles : IR30, IR36 et IR48.



AVERTISSEMENT

Pour éviter les risques de choc électrique, confiez l'installation de la lampe IR à un électricien qualifié et avant de commencer l'installation de la hotte.

POUR L'OBTENTION DE SERVICE

AVANT D'APPELER LE SERVICE TECHNIQUE

- Est-ce que le disjoncteur s'est déclenché ou que le fusible est grillé?
- Y a-t-il une coupure de courant dans le secteur?

Pour le service sous garantie, contactez votre distributeur ou le représentant du service à la clientèle DCS au (888) 936-7872. Avant d'appeler, veuillez avoir les informations suivantes à portée de main :

- Numéro de modèle (situé sur le panneau arrière interne, derrière les filtres à graisses, sous l'ensemble moteur)
- Numéro de série (situé sur le panneau arrière interne, derrière les filtres à graisses, sous l'ensemble moteur)
- Code (situé sur le panneau arrière interne, derrière les filtres à graisses, sous l'ensemble moteur)
- Date d'installation
- Brève description du problème
- Preuve d'achat

Votre satisfaction revêt la plus grande importance pour nous. Si un problème n'est pas résolu à votre entière satisfaction, veuillez communiquer avec nous par téléphone, courrier ou courriel :

Écrivez-nous à l'adresse suivante :

Fisher & Paykel Appliances, Inc.

Attention: DCS Customer Care

5900 Skylab Road

Huntington Beach, CA 92647

Courriel : customer.care@fisherpaykel.com

GARANTIE

GARANTIE LIMITÉE

Lors de l'achat d'un appareil de ventilation neuf DCS pour usage personnel ou non commercial, vous bénéficiez automatiquement d'une garantie limitée d'un an couvrant les pièces et la main d'œuvre pour l'intégralité du produit, et d'une garantie limitée de cinq ans sur les interrupteurs et le moteur (pièces seulement) valide dans les 48 états continentaux des États-Unis, ainsi que Hawaï, Washington D.C. et le Canada. La garantie limitée est la même en Alaska sauf que vous devez payer les frais d'expédition du produit à un centre de service ou les frais de déplacement d'un technicien dans le cas d'une visite à domicile. Les produits destinés à une utilisation au Canada doivent être achetés auprès d'un distributeur canadien afin de respecter la réglementation en vigueur.

Si le produit est installé dans un véhicule ou bateau à moteur, ou une installation mobile similaire, vous bénéficiez de la même garantie limitée d'un an, mais vous devrez acheminer à vos frais ledit véhicule, bateau ou installation mobile contenant le produit jusqu'au centre de service ou payer les frais de déplacement du technicien jusqu'à l'emplacement où se trouve le produit.

FISHER & PAYKEL S'ENGAGE À :

entreprendre à ses frais (pièces et main-d'œuvre) toutes réparations du produit (sur lequel figure le numéro de série) jugé défectueux. En Alaska, vous devez payer les frais d'expédition du produit à un centre de service ou les frais de déplacement d'un technicien dans le cas d'une visite à domicile. Si le produit est installé dans un véhicule ou bateau à moteur, ou une installation mobile similaire, vous devez l'acheminer à vos frais jusqu'au centre de service ou payer les frais de déplacement du technicien jusqu'à l'emplacement où se trouve le produit. Si nous sommes dans l'incapacité de réparer une pièce défectueuse du produit après un nombre raisonnable de tentatives, nous pourrions, à notre choix, remplacer la pièce ou le produit, ou vous rembourser entièrement le prix d'achat du produit (à l'exclusion des frais d'installation ou autres frais.)

Cette garantie s'applique à l'acheteur initial et à tous les propriétaires successifs du produit dans la mesure où il s'agit d'un produit acheté pour une utilisation à domicile normale. Tout service couvert par cette garantie limitée sera assuré par Fisher & Paykel ou son agent de service DCS agréé durant les heures d'ouverture normales.

QUELLE EST DURÉE DE CETTE GARANTIE LIMITÉE?

Notre responsabilité en vertu de cette garantie limitée concernant l'intégralité du produit expire UN AN à partir de la date d'achat du produit par le premier acheteur. Notre responsabilité en vertu de cette garantie limitée concernant les interrupteurs et le moteur (pièces seulement) expire CINQ ANS à partir de la date d'achat du produit par le premier acheteur.

Notre responsabilité en vertu de toute garantie implicite, y compris la garantie implicite de qualité marchande (la garantie tacite selon laquelle le produit est approprié pour un usage normal) expire également UN AN (ou une période plus longue si requis par la loi) à partir de la date d'achat du produit par le premier acheteur. Certaines juridictions ne permettent pas la limitation de la garantie implicite, il est donc possible que la limitation ci-dessus sur les garanties implicites ne s'applique pas à vous.

NE SONT PAS COUVERTS PAR LA GARANTIE :

A. Les appels de service n'ayant aucun rapport avec un défaut éventuel du produit. Le coût de l'appel de service sera facturé s'il se trouve que le problème n'est pas dû à un défaut du produit. Par exemple :

1. Corriger une mauvaise installation du produit.
2. Montrer comment utiliser le produit.

3. Remplacer des fusibles du domicile, réarmer les disjoncteurs, réparer les fils électriques ou la plomberie du domicile, ou remplacer des ampoules.
 4. Corriger des anomalies causées par l'utilisateur.
 5. Changer la configuration du produit.
 6. Modifications non autorisées du produit.
 7. Bruits ou vibrations considérés comme normaux, par exemple les bruits de drain ou de ventilateur, les bruits de régénération (vibrations, sifflements) ou les signaux d'avertissement à l'intention de l'utilisateur.
 8. Corriger des dommages causés par des animaux nuisibles, par exemple des rats, des coquerelles, etc.
- B. Défauts causés par des facteurs autres que :
1. Utilisation domestique normale ou
 2. Utilisation conformément aux indications du guide de l'utilisateur.
- C. Défauts du produit pour cause d'accident, négligence, mauvaise utilisation, incendie, inondation ou calamité naturelle.
- D. Les coûts des réparations effectuées par des techniciens non autorisés ou le coût de correction de ces réparations non autorisées.
- E. Les frais de voyage et les frais connexes encourus lorsque le produit est installé dans un lieu à accès illimité ou restreint (déplacement par avion ou par bateau, régions géographiques isolées, etc.).
- F. Entretien normal recommandé par le guide l'utilisateur.

Contactez votre distributeur ou votre installateur en cas de problème d'installation. Il vous incombe d'assurer une installation électrique, une ventilation et toute autre connexion appropriées. Nous ne sommes pas responsables des dommages indirects ou accessoires (coût de réparation ou de remplacement d'autres biens endommagés parce que le produit était défectueux ou tout autre coût que vous auriez encouru parce que le produit était défectueux). Certaines juridictions interdisent l'exclusion ou la restriction de la responsabilité des dommages indirects ou accessoires; l'exclusion ou la restriction indiquée ci-dessus peut donc ne pas s'appliquer à votre cas particulier.

POUR OBTENIR DES RÉPARATIONS

Veillez consulter le guide de l'utilisateur. Si vous avez des questions concernant l'utilisation du produit, que vous cherchez le nom de l'agent de service DCS agréé local ou que pensez que le produit est défectueux et désirez le faire réparer dans le cadre de cette garantie limitée, veuillez contacter votre distributeur ou nous appeler au numéro suivant :

(NUMÉRO SANS FRAIS) 1-888-936-7872 ou contactez-nous par l'intermédiaire de notre site Web : www.dcsappliances.com.

Vous devrez peut-être présenter une preuve raisonnable de la date d'achat du produit avant de pouvoir bénéficier d'une réparation dans le cadre de cette garantie limitée.

UTILISATION COMMERCIALE

Cette garantie s'applique à des appareils électroménagers utilisés à domicile; elle ne couvre pas les cas d'utilisation commerciale.

GARANTIE

AUCUNE AUTRE GARANTIE

Cette garantie limitée constitue l'accord entier et exclusif entre vous et Fisher & Paykel Appliances, Inc. en ce qui concerne tout défaut du produit. Aucun de nos employés (ou agents de service agréés) n'est autorisé à apporter des ajouts ou des modifications à cette garantie limitée.

Garant : Fisher & Paykel Appliances, Inc.

Si vous avez besoin d'aide au sujet de cette garantie illimitée, veuillez nous appeler au numéro ci-dessus ou nous écrire à l'adresse suivante :

Fisher & Paykel Appliances, Inc.
5900 Skylab Road, Huntington Beach, CA 92647
États-Unis

Cette garantie limitée vous donne des droits juridiques spécifiques et vous pouvez bénéficier d'autres droits qui varient d'une juridiction à l'autre.

REMARQUE

REMARQUE

REMARQUE



Quality provided by Fisher & Paykel Appliances Inc.

Fisher & Paykel Appliances, Inc.
5900 Skylab Road, Huntington Beach, CA 92647
Customer Care: 888.936.7872
Fax: 714.372.7003
www.dcsappliances.com

As product improvement is an ongoing process, we reserve the right to change specifications or design without notice.

Nous améliorons constamment ses produits et se réserve le droit de modifier les spécifications ou la conception de ses produits sans aucun préavis.