

# Glass Door Merchandiser

## FCGM181RQ B

18.4 Cu. Ft. Commercial,  
Food Service Grade



### Signature Features

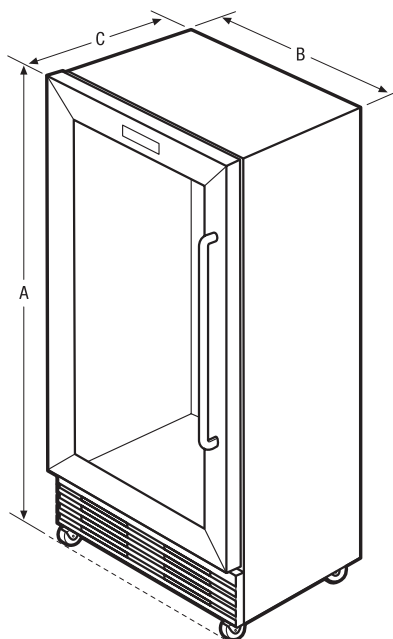
Dual-Pane, Argon Gas-Filled  
Glass Display Door

Dynamic Condenser Improves  
Performance In Higher  
Temperature Environments

Heavy-Duty Cooling System,  
NSF®-Certified Performance

Heavy-Duty, Locking Casters

Temperature Range  
32 to 44 Degrees Fahrenheit



### Product Dimensions

A - Height (Including Hinges & Casters)	74-5/8"
B - Width	32"
C - Depth (Including Door)	26-5/16"
Depth with Door Opened 90°	57"

### More Easy-To-Use Features

Heavy-Duty, NSF®-Certified  
White Wire Shelves

NSF®-Certified For Food Service  
Applications

NSF®-Certified Interior Lighting  
System

NSF®-Certified Stainless Steel  
Handle

NSF®-Certified Temperature Gauge

Sealed Cabinet Interior For Easy  
Cleaning

Stainless Steel Evaporator Cover

### Accessories

Top Shelf - White	808500101
Deep Shelf - White	808497401
Trivet - White	297471401
Shelf Support Clips	297121900 (4 Required)

### Specifications

Total Capacity (Cu. Ft.)	18.4
Power Supply Connection Location	Right Bottom Rear
Voltage Rating	115V
Shipping Weight (Approx.)	263 Lbs.

ENERGY STAR®



Available in:



Stainless/Black  
(B)

*Stainless Steel and Glass Door/  
Black Cabinet.*