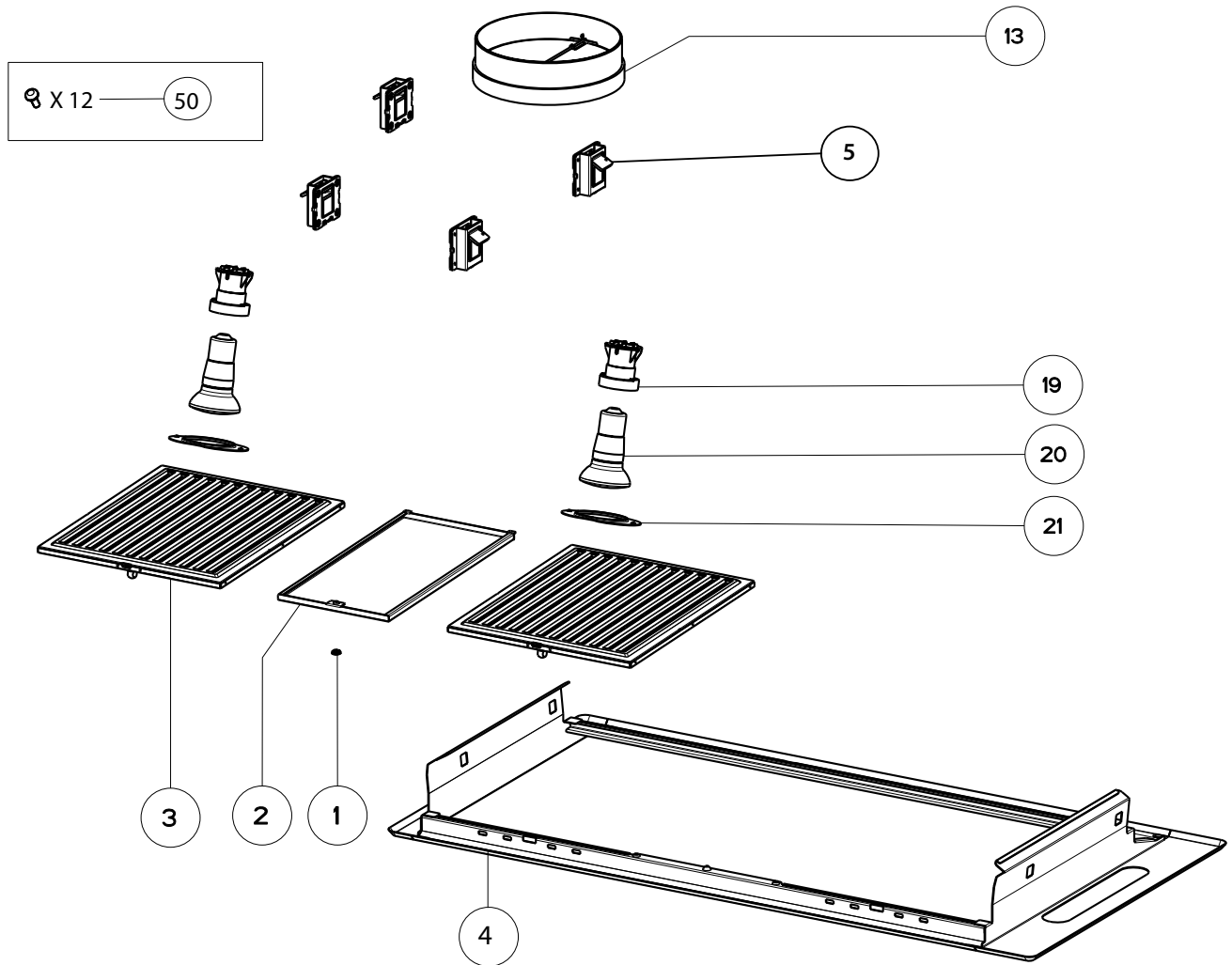


INCA PRO 30

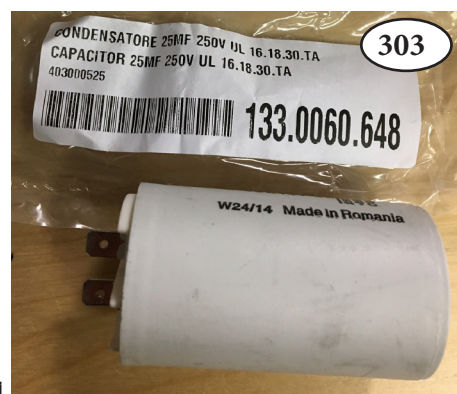
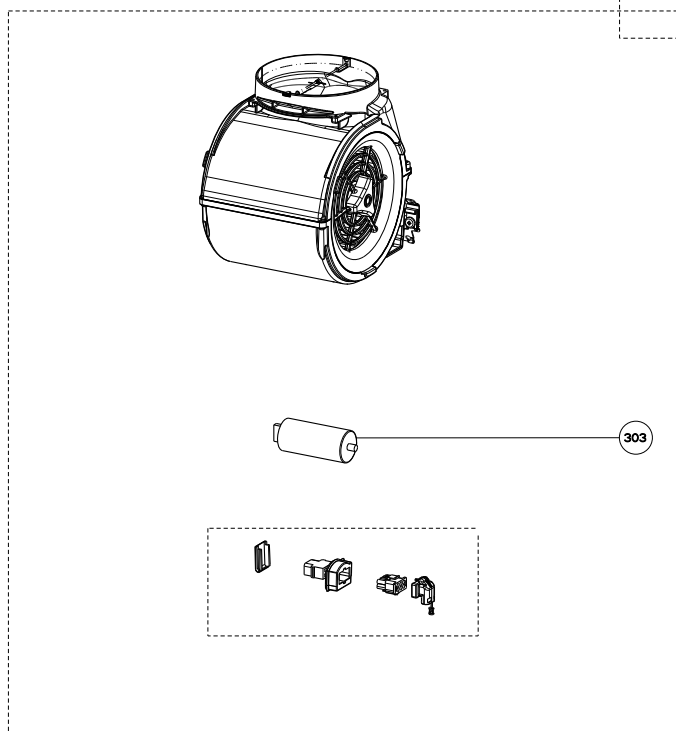
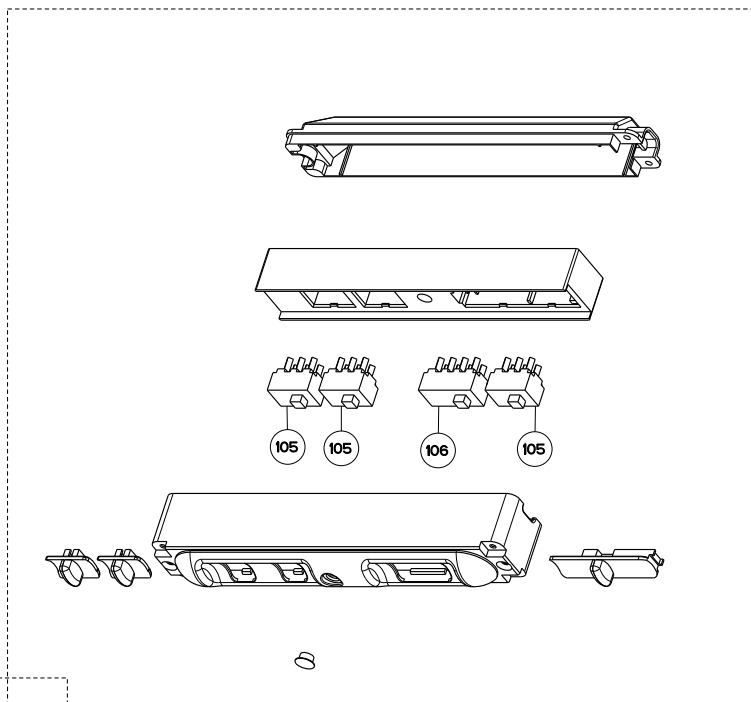
body components



	Model Number	INPR30SSIB / 630001084	
Key	Description	30 Stainless	Qty Req.
1	Stopper	133.0017.608	1
2	Filter Spacer (old version)	133.0064.350	1
2	Filter Spacer (late 2010)	133.0158.924	1
3	Grease Filter	133.0018.482	2
4	Grease Filter Support	133.0150.545	1
5	Hinge Clip Kit (2 in kit)	133.0078.993	2
13	Damper	133.0055.994	1
19	Lampholder	133.0064.355	2
20	Halogen Lamp	133.0064.354	2
21	Bezel	133.0064.103	2
50	Mounting Kit Screws Inca	133.0084.481	1

INCA PRO 30

switch / motor components



Key	Description	Model Number	Qty Req.
		INPR30SSIB / 630001084	
101	Switch Kit	30 Stainless	1
105	On /Off Switches	133.0054.536	1
106	Speed Switch	133.0054.538	1
303	Capacitor	133.0060.648	1
303	Capacitor (S - W Serial #)	133.0056.000	1
399	Motor Group Kit	133.0055.998	1