

PURCHASER	P.O. #	DATE
PROJECT	LOCATION	
ENGINEER	ARCHITECT	
SUBMITTED BY	FOR APPROVAL	FOR REFERENCE

ITEM	PLAN DESIGNATION	QUANTITY	COOLING BTU/H	VOLTAGE	FRIEDRICH MODEL

Comfort & Convenience

- Convenient control from your smartphone or computer via FriedrichLink® (required accessory sold separately)
- 24-hour timer
- Up to 4 cooling and 4 fan-only speeds on select models†
- Automatic fan speed adjustment
- Auto-changeover from cool to heat; heat to cool to maintain set temperature (Kühl+ models except EQ08)
- 8-way air flow control
- Temperature readout can display set temperature and room temperature
- LCD panel auto dims if not in use
- LCD settings lockout option (ON/OFF)
- Premium remote control allows user to activate schedule, adjust temperature, adjust fan speed or select auto-fan; can also switch from cool to heat and heat to cool (Kühl + models)

Sound Reduction Technology

- Steel inner wall and extra dense insulation materials block outdoor noise
- Vibration isolating design and components diminish traditional operating sound levels
- Precision engineering maximizes air flow while delivering ultra quiet operation

Maintenance & Installation

- Check filter reminder and error code storage
- Same sleeve dimensions for 30+ years for easy replacement
- Slideout chassis for more permanent installation and easier access for maintenance
- Installs in a window or in-wall
- Includes heavy-duty window installation hardware (optional accessory on Kühl+ models)
- Rugged hardboard side panels or (heavy duty side curtains on SQ and EQ models) for a more permanent installation
- Power cord can run left or right
- Defrost control protects coil against freeze up
- Firm grip handles for easier chassis installation and removal

Energy Management & Compliance

- Convenient control from your smartphone or computer via FriedrichLink® (optional accessory sold separately)
- 2 ready-to-go 7-day energy management programs
- Autofan mode saves money by conserving energy
- ENERGY STAR® qualified models, including heat pumps
- Environmentally-friendly R-410A refrigerant used in all models
- Recyclable packaging
- RoHS compliant

Safety & Security

- EntryGard™ anti-intrusion protection - secures chassis to the sleeve with a steel retaining wire to deter 'kick-in' intrusion
- Power cord current leakage protected
- Aluminum outside grille
- Insect barrier*

Health & IAQ

- Superior fresh air intake and stale air exhaust vent*
- Washable, antimicrobial air filter
- Premium carbon filter provides superior air filtration with ratings as high as MERV 6, while also adsorbing odors, and reducing ozone and VOCs when used in conjunction with standard filter
- Hinged door for easy filter access



* Feature not available on SQ and EQ models.

**Nut driver not required for Kühl SQ and EQ models.

SPECIFICATIONS

★ Indicates ENERGY STAR® models

Model	Cooling Btu	Heating Btu	Volts	Cooling Amps	Cooling Watts	Heating Amps	Heating Watts	EER	CEER	Estimated Yearly Energy Cost	COP	Moisture Removal-Pints/HR	CFM
Kühl® (Cool Only)													
★ SQ06N10C	5800	—	115	4.1	472	—	—	12.3	12.1	\$43	—	1.5	190
★ SQ08N10D	8000	—	115	6.1	656	—	—	12.2	12.0	\$59	—	1.9	200
SQ10N10C	10000	—	115	8.9	882	—	—	11.1	10.9	\$79	—	3.2	250
★ SS08N10C	8000	—	115	5.8	656	—	—	12.2	12.0	\$59	—	1.9	255
★ SS10N10C	10000	—	115	7.2	820	—	—	12.2	12.0	\$74	—	2.5	300
★ SS12N10C	11900	—	115	8.7	975	—	—	12.2	12.0	\$88	—	3.9	300
★ SS12N30C	12000/11800	—	230/208	4.5/4.9	984/967	—	—	12.2/12.2	12.0/12.0	\$89	—	3.6	300
SS14N10C	13600	—	115	10.4	1214	—	—	11.2	10.9	\$109	—	4.3	275
SS16N30C	15500/15300	—	230/208	6.5/7.1	1435/1417	—	—	10.8/10.8	10.7/10.7	\$129	—	5.0	330
★ SM14N10	13700	—	115	9.9	1123	—	—	12.2	12.0	\$101	—	3.0	360
★ SM18N30C	20000/20000	—	230/208	9.3/10.2	2092/2041	—	—	10.3/10.3	10.3/10.3	\$184	—	6.0	425
★ SM21N30E	20500/20500	—	230/208	9.3/10.2	2092/2041	—	—	10.3/10.3	10.3/10.3	\$188	—	6.0	425
★ SL24N30C	24000/24000	—	230/208	10.2/11.1	2308/2308	—	—	10.4/10.4	10.3/10.3	\$208	—	7.0	640
★ SL28N30C	28000/28000	—	230/208	13.1/14.1	2800/2800	—	—	10.0/10.0	9.9/9.9	\$252	—	8.5	640
SL36N30B	36000/35500	—	230/208	17.5/19.2	4000/3944	—	—	9.0/9.0	9.0/9.0	\$360	—	12.0	725
Kühl® + (Heat Pump)													
★ YS10N10C*	10000	8800	115	7.9	917	9.0	978	10.9	10.8	\$83	2.6	2.0	300
★ YS12N33C	12000/12000	11300/11000	230/208	4.9/5.2	1101/1101	5.6/5.9	1257/1213	10.9/10.9	10.8/10.8	\$99	2.6/2.7	3.0	375
★ YM18N34C	17500/17200	15200/15200	230/208	7.1/7.6	1606/1578	7.3/8.0	1665/1665	10.9/10.9	10.8/10.8	\$149	2.7/2.7	5.4	370
★ YL24N35D	24000/24000	22000/22000	230/208	10.1/11.0	2330/2330	10.7/11.4	2391/2391	10.3/10.3	10.2/10.2	\$210	2.6/2.6	7.0	600
Kühl® + (Electric Heat)													
EQ08N11D	8000	4000	115	6.1	656	11.2	1290	12.2	12.0	\$61	—	1.9	200
ES12N33B	12000/12000	10700/8900	230/208	4.9/5.2	1062/1062	16.0/14.7	3500/2900	11.3/11.3	11.2/11.2	\$96	—	3.4	325
ES16N33C	15500/15300	10700/8900	230/208	6.5/7.1	1435/1417	16.0/14.7	3500/2900	10.8/10.8	10.7/10.7	\$129	—	3.4	300
EM18N34B	20000/20000	13000/10600	230/208	9.3/10.2	2041/2041	19.5/17.0	5500/4650	10.4/10.4	10.3/10.3	\$225	—	7.0	750
EL24N35B	24000/24000	17300/14300	230/208	10.9/11.6	2308/2308	24.0/22.4	5500/4650	9.4/9.4	9.4/9.4	\$225	—	6.0	425
EL36N35B	36000/35500	17300/14300	230/208	17.5/19.2	4000/3944	24.0/22.4	5500/4650	9.0/9.0	9.0/9.0	\$360	—	12.0	725

* YS10N10C heat pump operates on 115 volt and IS NOT equipped with supplemental heat . Will not provide heat at temperatures below 40°F. Friedrich room air conditioners are designed to operate in outdoor temperatures from 60°F to 115°F.

Kühl+ Heat Pump heating information indicates heat pump performance. Kühl+ Electric Heat heating information indicates electric heat strip performance. For Kühl+ Heat Pump electric heating performance refer to corresponding Kühl+ Electric Heat model.

As an ENERGY STAR® partner, Friedrich Air Conditioning Co. has determined that the selected ENERGY STAR® models meet the ENERGY STAR® guidelines for energy efficiency. EER is the unit's Energy Efficiency Ratio; CEER is the unit's Combined Energy Efficiency Ratio.

Your energy costs will depend on your utility rates and use. The estimated energy cost is based on an electricity cost of \$.12 per kWh. For more information, visit www.ftc.gov/energy.

Due to continuing research in new energy-saving technology, specifications are subject to change without notice.



SLEEVES / DIMENSIONS



Sleeve	Height Inches	Width Inches	Depth with Front Inches	Shell Depth to Louvers Inches	Minimum Extension Into Room* Inches	Minimum Extension Outside * Inches	Window Width INCHES		In-wall Installation Finished Hole Inches			Carton Dimensions Inches		
			A	B			Minimum**	Maximum	Height	Width	Max. Depth C	Height	Width	Depth
Q	14 1/4"	19 3/4"	21 3/8"	8 1/2"	5 1/2"	10 3/4"	22"	42"	14 1/2"	20"	8 1/2"	18 3/4"	22"	25 1/2"
S	15 15/16"	25 15/16"	29"	8 3/4"	5 3/4"	16 15/16"	27 3/8"	42"	16 3/16"	26 3/16"	7 3/8"	19"	29"	34 1/2"
M	17 15/16"	25 15/16"	29"	8 3/4"	5 3/4"	16 15/16"	27 3/8"	42"	18 3/16"	26 3/16"	7 3/8"	21"	29"	34 1/2"
L	20 3/16"	28"	35 1/2"	16 1/2"	5 3/8"	18 15/16"	29 7/8"	42"	20 3/8"	28 1/4"	15 1/8"	24 1/2"	31 5/8"	38 7/8"

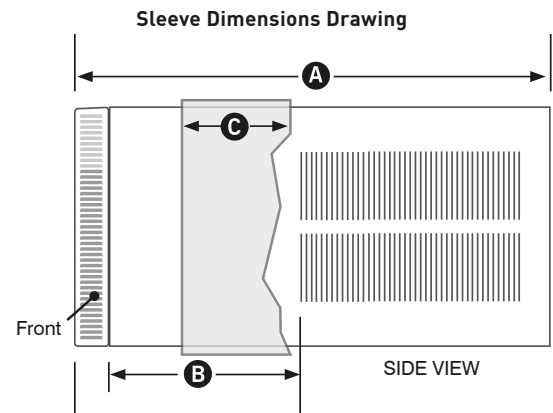
* Minimum extensions when mounted in a window.

** Minimum widths achieved using one side curtain assembly as opposed to both in a standard installation.

NOTE: S,M and L sleeves may be installed in window with no side kits if properly installed.

CIRCUIT RATING/ BREAKER/POWER CORD

Model	Circuit Rating Breaker or T-D Fuse	Plug Face (NEMA#)	Power Cord Length (ft.)	Wall Outlet Appearance
All SQ MODELS. EQ08N11D. SS08N10C, SS10N10C, SS12N10C and SS14N10C. YS10N10C. SM14N10.	125V - 15A	5- 15P	6	
SS12N30C and SS16N30C. SM18N30C and SM21N30E.	250V - 15A	6 - 15P	6	
SL24N30C and SL28N30C. ES12N33B and ES16N33C. YS12N33C.	250V - 20A	6 - 20P	6	
SL36N30B. EM18N34B and EL24N35B and EL36N35B. YM18N34C and YL24N35D.	250V - 30A	6 - 30P	6	



ROOM AIR CONDITIONER MODEL IDENTIFICATION GUIDE

SL28N30A

