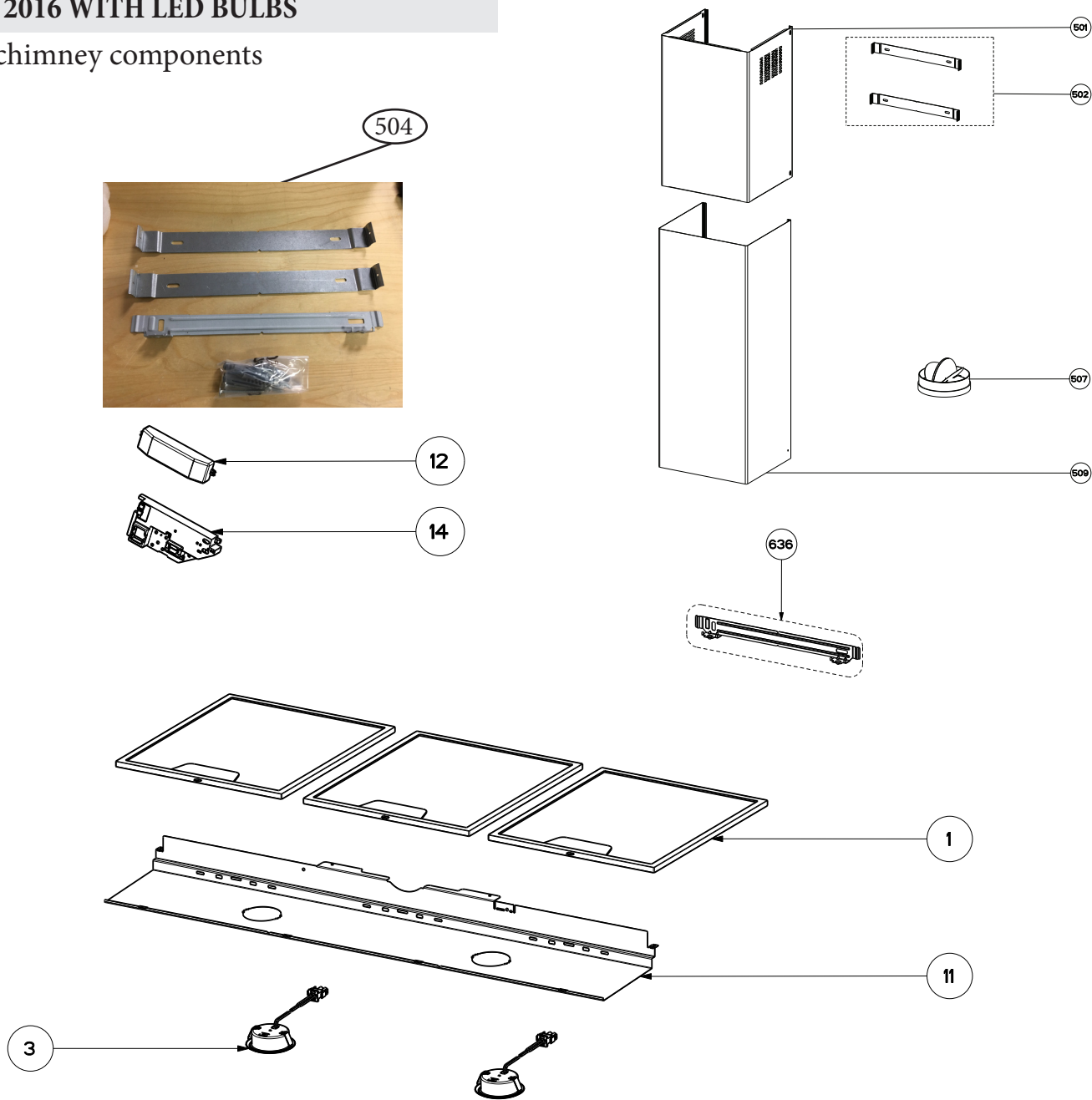


STILO 2016 WITH LED BULBS

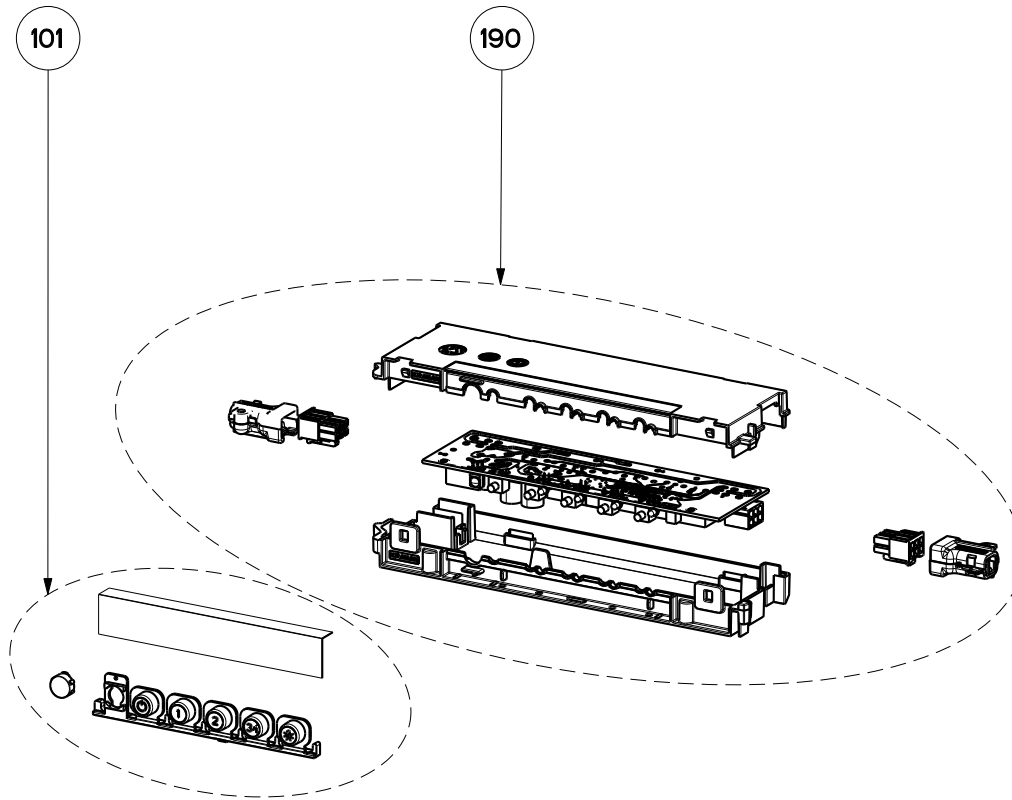
body / chimney components



| | Model Number | STIL24SS600-B | STIL30SS600-B | STIL36SS600-B | STIL48SS600-B | STIL30SS300-B | STIL36SS300-B | |
|-----|---------------------|---------------|---------------|---------------|---------------|---------------|---------------|---------------------------|
| Key | Description | 24 Stainless | 30 Stainless | 36 Stainless | 48 Stainless | 30 Stainless | 36 Stainless | Qty Req. |
| 1 | Grease Filters | 133.0181.884 | 133.0381.635 | 133.0181.884 | 133.0181.884 | 133.0381.635 | 133.0181.884 | 2 (24,30), 3 (36), 4 (48) |
| 3 | LED Lights | 133.0289.829 | 133.0289.829 | 133.0289.829 | 133.0289.829 | 133.0289.829 | 133.0289.829 | 2 (24,30,36), 3 (48) |
| 11 | Lamp Support | 133.0182.374 | 133.0182.375 | 133.0182.376 | 133.0182.377 | 1133.0182.375 | 133.0182.376 | 1 |
| 12 | Transformer | 133.0299.377 | 133.0299.377 | 133.0299.377 | 133.0299.377 | 133.0299.377 | 133.0299.377 | 1 |
| 14 | Transformer Support | 133.0182.439 | 133.0182.439 | 133.0182.439 | 133.0182.439 | 133.0182.439 | 133.0182.439 | 1 |
| 501 | Upper Chimney | 133.0433.856 | 133.0433.856 | 133.0433.856 | 133.0433.856 | 133.0433.856 | 133.0433.856 | 1 |
| 502 | Chimney Brackets | 133.0046.952 | 133.0046.952 | 133.0046.952 | 133.0046.952 | 133.0046.952 | 133.0046.952 | 1 |
| 504 | Hardware kit | 133.0474.335 | 133.0474.335 | 133.0474.335 | 133.0474.335 | 133.0474.335 | 133.0474.335 | 1 |
| 507 | Damper | 133.0055.994 | 133.0055.994 | 133.0055.994 | 133.0055.994 | 133.0055.994 | 133.0055.994 | 1 |
| 509 | Lower Chimney | 133.0326.976 | 133.0326.976 | 133.0326.976 | 133.0326.976 | 133.0326.976 | 133.0326.976 | 1 |
| 636 | Canopy wall Bracket | 133.0200.466 | 133.0200.466 | 133.0200.466 | 133.0200.466 | 133.0200.466 | 133.0200.466 | 1 |

STILO 2016 WITH LED BULBS

switch components

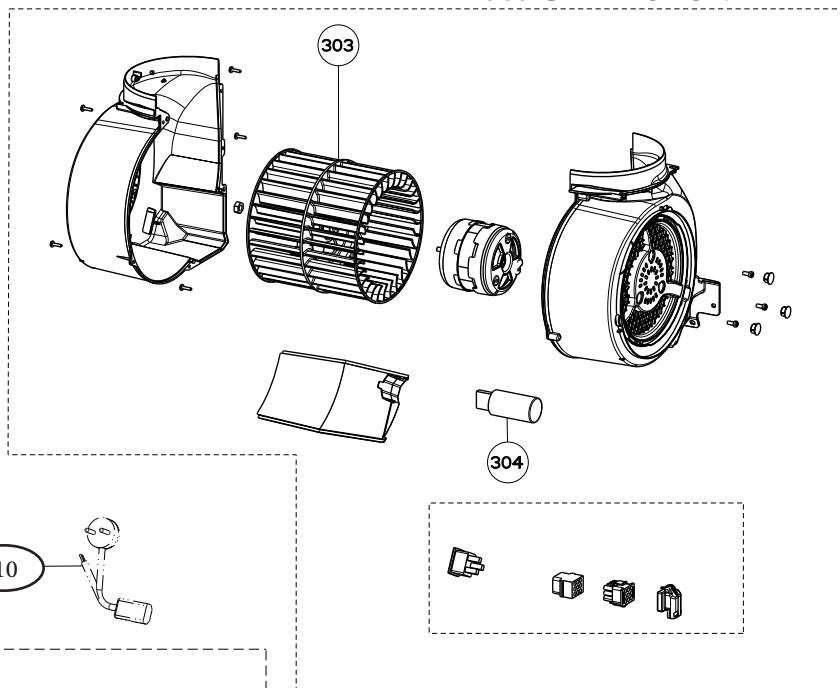


| | Model Number | STIL24SS600-B | STIL30SS600-B | STIL36SS600-B | STIL48SS600-B | STIL30SS300-B | STIL36SS300-B | |
|-----|-------------------|---------------|---------------|---------------|---------------|---------------|---------------|----------|
| Key | Description | 24 Stainless | 30 Stainless | 36 Stainless | 48 Stainless | 30 Stainless | 36 Stainless | Qty Req. |
| 101 | Button Kit | 133.0380.478 | 133.0380.478 | 133.0380.478 | 133.0380.478 | 133.0380.478 | 133.0380.478 | 1 |
| 190 | Control board kit | 133.0440.939 | 133.0440.939 | 133.0440.939 | 133.0440.939 | 133.0440.939 | 133.0440.939 | 1 |

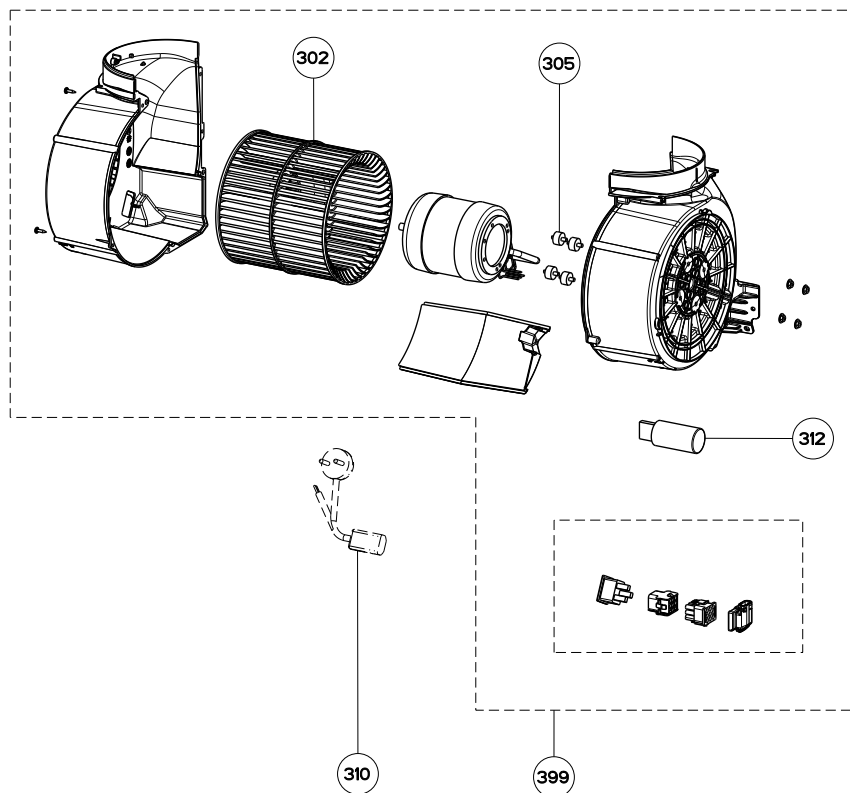
STILO 2016 WITH LED BULBS

motor components

300 CFM MOTOR



600 CFM MOTOR



| | Model Number | STIL24SS600-B | STIL30SS600-B | STIL36SS600-B | STIL48SS600-B | STIL30SS300-B | STIL36SS300-B | |
|-----|---------------------|---------------|---------------|---------------|---------------|---------------|---------------|----------|
| Key | Description | 24 Stainless | 30 Stainless | 36 Stainless | 48 Stainless | 30 Stainless | 36 Stainless | Qty Req. |
| 302 | Impeller 600 cfm | 133.0052.799 | 133.0052.799 | 133.0052.799 | 133.0052.799 | NA | NA | 1 |
| 303 | Impeller 300 cfm | NA | NA | NA | NA | 133.0178.632 | 133.0178.632 | 1 |
| 305 | Rubber Motor Mount | 133.0051.604 | 133.0051.604 | 133.0051.604 | 133.0051.604 | NA | NA | 1 |
| 310 | Power cord | 133.0381.468 | 133.0381.468 | 133.0381.468 | 133.0381.468 | 133.0381.468 | 133.0381.468 | 1 |
| 304 | Capacitor 14 mf | NA | NA | NA | NA | 133.0071.827 | 133.0071.827 | 1 |
| 312 | Capacitor 25 mf | 133.0060.648 | 133.0060.648 | 133.0060.648 | 133.0060.648 | NA | NA | 1 |
| 399 | Motor Group 600 cfm | 133.0381.523 | 133.0381.523 | 133.0381.523 | 133.0381.523 | NA | NA | 1 |
| 399 | Motor Kit 300 cfm | NA | NA | NA | NA | 133.0464.899 | 133.0464.899 | 1 |