

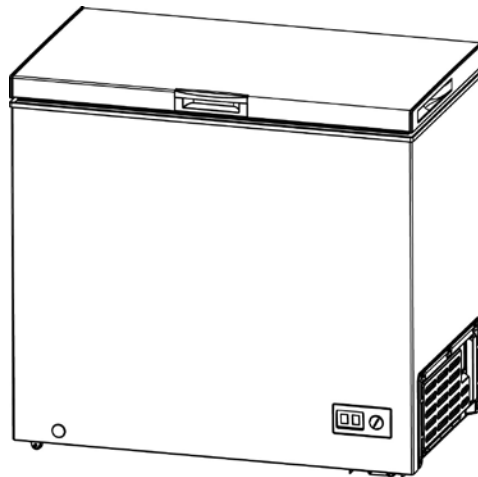


**CHEST FREEZER
CONGELADOR HORIZONTAL
CONGELATEUR HORIZONTAL**

**INSTRUCTION MANUAL
MANUAL DE INSTRUCCIONES
MANUEL D'INSTRUCTIONS**

**Model Numbers
Nos. de Modelos
Nos. de Modèle**

**CF35B0W / CF35B2P
CF50B0W
CF70B0W**



Actual design / color may vary

BEFORE USE, PLEASE READ AND FOLLOW ALL SAFETY RULES AND OPERATING INSTRUCTIONS.

Avanti has a policy of continuous improvement on its products and reserves the right to change materials and specifications without notice.

**AVANTI PRODUCTS LLC
P.O. Box 520604 - Miami, Florida 33152
www.avantiproducts.com**

TABLE OF CONTENTS

Appliance Safety	3
Important Safeguides	4
Help Us Help You	5
Parts and Features	6
Important Safety Instructions	7
Installation Instructions	7
Before Using Your Appliance	7
Installation of Your Appliance	7
Electrical Connection	8
Operating Your Appliance	9
Temperature Control	9
Defrosting Your Freezer	9
The Freezer Compartment	10
Freezing Fresh Foods	10
Care and Maintenance	11
Cleaning Your Appliance	11
Vacation Time	11
Moving Your Appliance	11
Energy Saving Tips	11
Problems with Your Appliance / Troubleshooting Guide	12 – 13
Service for Your Appliance	13
Wiring Diagram	13
Your Avanti Products Warranty	14
Instrucciones en Español	15 – 18
Instructions en Francais	19 – 31
Registration Information and Registration Card	LAST PAGE

APPLIANCE SAFETY

Your safety and the safety of others are very important.

We have provided many important safety messages in this manual for your appliance. Always read and obey all safety messages.



This is the Safety Alert Symbol. This symbol alerts you to potential hazards that can kill or injure you and others. All safety messages will follow the Safety Alert Symbol and either the words "DANGER", "WARNING" or "CAUTION".



Danger means that failure to heed this safety statement may result in severe personal injury or death.



Warning means that failure to heed this safety statement may result in extensive product damage, serious personal injury, or death.



Caution means that failure to heed this safety statement may result in minor or moderate personal injury, property or equipment damage.

All safety messages will alert you to know what potential hazard is, tell you how to reduce the chance of injury, and let you know what can happen if the instructions are not followed.

REFRIGERANT GAS WARNINGS

DANGER - Risk of fire or explosion. Flammable refrigerant used.

DO NOT use mechanical devices to defrost refrigerator. DO NOT puncture refrigerant tubing.

DANGER - Risque d'incendie ou d'explosion. Réfrigérant inflammable utilisé.

Ne pas utiliser de dispositifs mécaniques pour réfrigérateur à dégivrage. Ne pas percer la tuyauterie du réfrigérant

DANGER - Risk of fire or explosion. Flammable refrigerant used.

To be repaired only by trained service personnel. DO NOT puncture refrigerant tubing.

DANGER - Risque d'incendie ou d'explosion. Réfrigérant inflammable utilisé.

Pour être réparé que par du personnel qualifié. Ne pas percer la tuyauterie du réfrigérant.

CAUTION - Risk of fire or explosion. Flammable refrigerant used.

Consult repair manual / owner's guide before attempting to service

this product. All safety precautions must be followed.

AVERTISSEMENT - Risque d'incendie ou d'explosion. Réfrigérant inflammable

utilisé. Consultez réparation manuelle / propriétaire, guide avant d'essayer

de réparer ce produit. Toutes les précautions doivent être suivies.

CAUTION - Risk of fire or explosion. Dispose of property in accordance

with federal or local regulations. Flammable refrigerant used.

AVERTISSEMENT - Risque d'incendie ou d'explosion. Aliéner des biens

conformément à la réglementation fédérale ou locale. Réfrigérant inflammable utilisé.

CAUTION - Risk of fire or explosion due to puncture of refrigerant tubing;

Follow handling instructions carefully. Flammable refrigerant used.

AVERTISSEMENT - Risque d'incendie ou d'explosion dus à la perforation des

tuyaux de fluide réfrigérant, suivez attentivement les instructions remise. Réfrigérant inflammable utilisé

IMPORTANT SAFEGUIDES



Before the refrigerator is used, it must be properly positioned and installed as described in this manual, so read the manual carefully. To reduce the risk of fire, electrical shock or injury when using the refrigerator, follow basic precaution, including the following:

DANGER

- Plug into a grounded 3-prong outlet, do not remove grounding prong, do not use an adapter, and do not use an extension cord.
- It is recommended that a separate circuit, serving only your refrigerator be provided. Use receptacles that cannot be turned off by a switch or pull chain.
- Never clean refrigerator parts with flammable fluids. These fumes can create a fire hazard or explosion. And do not store or use gasoline or other flammable vapors and liquids in the vicinity of this or any other appliance. The fumes can create a fire hazard or explosion.
- Before proceeding with cleaning and maintenance operations, make sure the power line of the unit is disconnected.
- Do not connect or disconnect the electric plug when your hands are wet.
- Unplug the refrigerator or disconnect power before cleaning or servicing. Failure to do so can result in electrical shock or death.
- Do not attempt to repair or replace any part of your refrigerator unless it is specifically recommended in this manual. All other servicing should be referred to a qualified technician.

WARNING

FOLLOW WARNING CALL OUTS BELOW ONLY WHEN APPLICABLE TO YOUR MODEL

- Use two or more people to move and install refrigerator. Failure to do so can result in back or other injury.
- To ensure proper ventilation for your refrigerator, the front of the unit must be completely unobstructed. Choose a well-ventilated area with temperatures above 60°F (16°C) and below 90°F (32°C). This unit must be installed in an area protected from the element, such as wind, rain, water spray or drips.
- The refrigerator should not be located next to ovens, grills or other sources of high heat.
- The refrigerator must be installed with all electrical connections in accordance with state and local codes. A standard electrical supply (115 V AC only, 60 Hz), properly grounded in accordance with the National Electrical Code and local codes and ordinances is required.
- Do not kink or pinch the power supply cord of refrigerator.
- The fuse (or circuit breaker) size should be 15 amperes.
- It is important for the refrigerator to be leveled in order to work properly. You may need to make several adjustments to level it.
- Never allow children to operate, play with or crawl inside the refrigerator.
- Although the unit has been tested at the factory, due to long-term transit and storage, the first batch of cubes must be discarded.
- Do not use solvent-based cleaning agents or abrasives on the interior. These cleaners may damage or discolor the interior.
- Do not use this apparatus for other than its intended purpose.

HELP US HELP YOU...

Read this guide carefully.

It is intended to help you operate and maintain your new refrigerator-freezer properly.

Keep it handy to answer your questions. If you don't understand something or you need more assistance, please call:

Avanti Customer Service
800-220-5570

Keep proof of original purchase date (such as your sales slip) with this guide to establish the warranty period.

CAUTION:

**THIS FREEZER IS NOT
DESIGNED FOR THE STORAGE
OF MEDICINE OR OTHER
MEDICAL PRODUCTS.**

Write down the model and serial numbers.

You'll find them on a plate located on the rear wall of the refrigerator-freezer.

Please write these numbers here:

Date of Purchase

Model Number

Serial Number

Use these numbers in any correspondence or service calls concerning your refrigerator-freezer.

If you received a damaged refrigerator-freezer, immediately contact the dealer (or builder) that sold you the refrigerator-freezer.

Save time and money. Before you call for service, check the Troubleshooting Guide. It lists causes of minor operating problems that you can correct yourself.

IF YOU NEED SERVICE

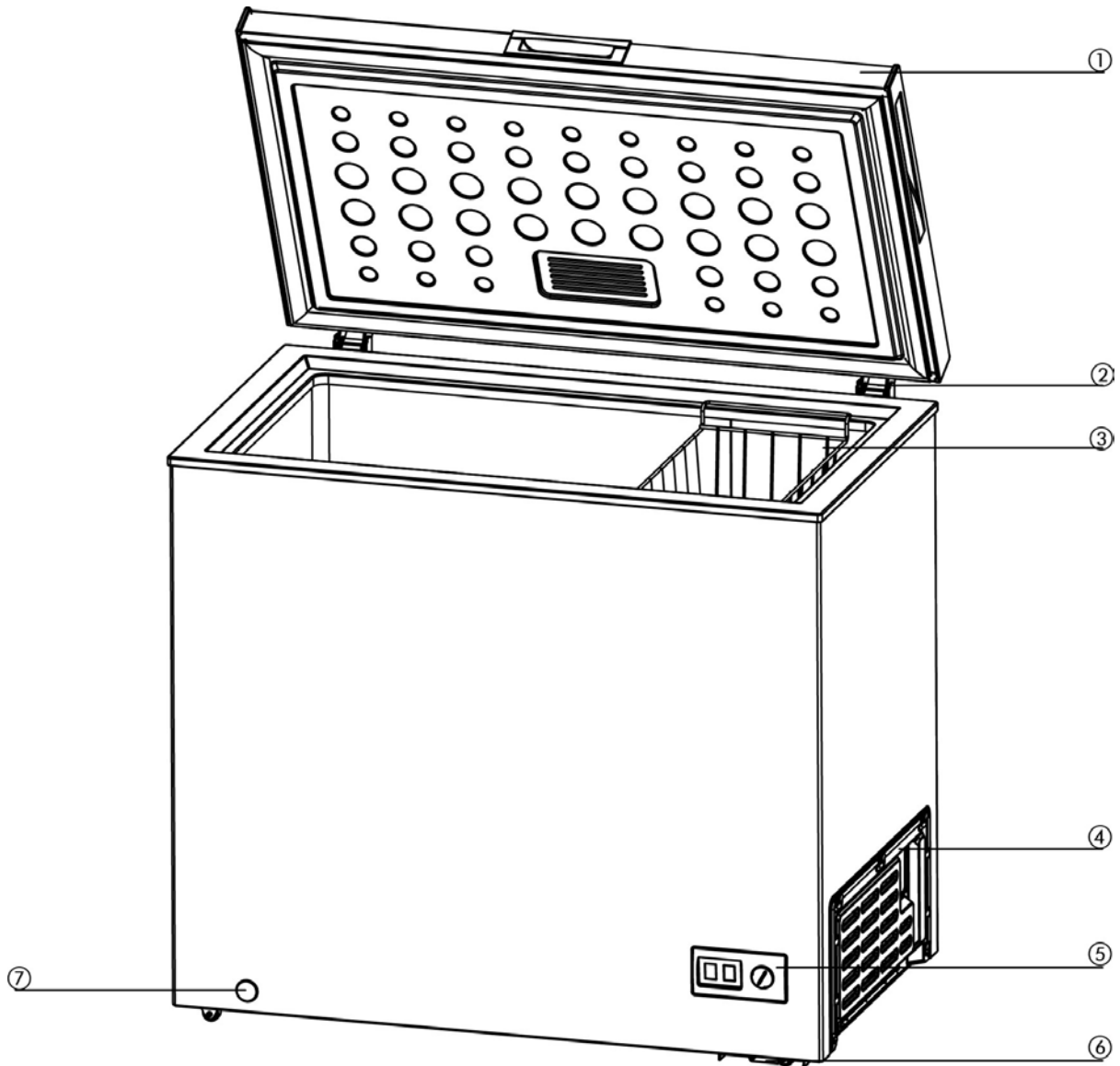
We're proud of our service and want you to be pleased. If for some reason you are not happy with the service you receive, here are some steps to follow for further assistance.

FIRST, contact the people who serviced your refrigerator-freezer. Explain why you are not satisfied. In most cases, this will solve the problem.

NEXT, if you are still not pleased, write all the details, including your telephone number, and send it to:

Customer Service
Avanti Products
10880 NW 30 Street
Miami, FL 33172

PARTS AND FEATURES



1	COUNTER BALANCED LID WITH INTEGRATED HANDLES
2	HINGES
3	STORAGE BASKET
4	COMPRESSOR AREA
5	CONTROL PANEL
6	ROLLERS
7	DRAIN PLUG

IMPORTANT SAFETY INSTRUCTIONS

⚡WARNING⚡	To reduce the risk of fire, electrical shock, or injury when using your refrigerator-freezer, follow these basic precautions:
<ul style="list-style-type: none">• Read all instructions before using the refrigerator-freezer.• DANGER or WARNING: Risk of child entrapment. Child entrapment and suffocation are not problems of the past. Junked or abandoned refrigerator-freezers are still dangerous. . . even if they will “just sit in the garage a few days.”• Before you throw away your old refrigerator-freezer: Take off the doors. Leave the shelves in place so that children may not easily climb inside.• Never allow children to operate, play with, or crawl inside the refrigerator-freezer.• Never clean refrigerator-freezer parts with flammable fluids. The fumes can create a fire hazard or explosion.• Do not store or use gasoline or any other flammable vapors and liquids in the vicinity of this or any other refrigerator-freezer. The fumes can create a fire hazard or explosion. <p style="text-align: center;">-Save these instructions-</p>	

INSTALLATION INSTRUCTIONS

➤ Before Using Your Appliance

- Remove the exterior and interior packing.
- Check to be sure you have all of the following parts:
 - 1 Storage Basket
 - 1 Drain Plug
 - 1 Instruction Manual
 - 1 Plastic Scraper
- Before connecting the unit to the power source, let it stand upright for approximately 2 hours. This will reduce the possibility of a malfunction in the cooling system from handling during transportation.
- Clean the interior surface with lukewarm water using a soft cloth.

➤ Installation of Your Appliance

- Place your refrigerator-freezer on a floor that is strong enough to support the refrigerator-freezer when it is fully loaded. To level your refrigerator-freezer, adjust the leveling legs at the bottom of unit.
- Allow 5 inches of space between the back and sides of the unit, which allows the proper air circulation to cool the compressor and condenser.
- Locate the unit away from direct sunlight and sources of heat (stove, heater, radiator, etc.). Direct sunlight may affect the acrylic coating and heat sources may increase electrical consumption. Extreme cold ambient temperatures may also cause the refrigerator-freezer not to perform properly.
- Avoid locating the unit in moist areas.
- Plug the unit into an exclusive properly installed-grounded wall outlet. Do not under any circumstances cut or remove the third (ground) prong from the power cord. Any questions concerning power and/or grounding should be directed toward a certified electrician or an authorized Avanti Products service center.

DO NOT INSTALL THE UNIT IN A LOCATION WHERE THE AMBIENT TEMPERATURE WILL DROP BELOW 32 °F OR RISE ABOVE 110 °F. AMBIENT TEMPERATURES OUTSIDE OF THIS RANGE WILL AFFECT THE PERFORMANCE OF YOUR UNIT AND WILL NOT ALLOW IT TO MAINTAIN THE PROPER TEMPERATURES.

➤ **ELECTRICAL CONNECTION**

⚡ Warning ⚡

Improper use of the grounded plug can result in the risk of electrical shock. If the power cord is damaged, have it replaced by an authorized Avanti Products service center.

This appliance should be properly grounded for your safety. The power cord of this appliance is equipped with a three-prong plug which mates with standard three prong wall outlets to minimize the possibility of electrical shock.

Do not under any circumstances cut or remove the third ground prong from the power cord supplied. For personal safety, this appliance must be properly grounded.

This appliance requires a standard 115/120 Volt AC ~/60Hz electrical ground outlet with three-prong. Have the wall outlet and circuit checked by a qualified electrician to make sure the outlet is properly grounded. When a standard 2-prong wall outlet is encountered, it is your responsibility and obligation to have it replaced with a properly grounded 3-prong wall outlet.

The cord should be secured behind the appliance and not left exposed or dangling to prevent accidental injury.

The appliance should always be plugged into its own individual electrical outlet which has a voltage rating that matches the rating label on the appliance. This provides the best performance and also prevent overloading house wiring circuits that could cause a fire hazard from overheated. Never unplug the appliance by pulling the power cord. Always grip the plug firmly and pull straight out from the receptacle. Repair or replace immediately all power cords that have become frayed or otherwise damaged. Do not use a cord that shows cracks or abrasion damage along its length or at either end. When moving the appliance, be careful not to damage the power cord.

➤ **EXTENSION CORD**

Because of potential safety hazards under certain conditions, it is strongly recommended that you do not use an extension cord with this appliance. However, if you must use an extension cord it is absolutely necessary that it be a UL/CUL-Listed, 3-wire grounding type appliance extension cord having a grounding type plug and outlet and that the electrical rating of the cord be 115 volts and at least 10 amperes.

➤ **SURGE PROTECTOR**

Most electrical appliances use a series of electric control boards to operate. These boards are very susceptible to power surges and could be damaged or destroyed.

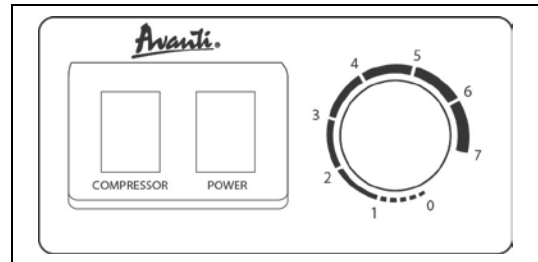
If the appliance is going to be used in an area or if your city / country is prone to power surges / outages; it is suggested that you use a power surge protector for all electrical devices / appliances you use. The surge protector that you select must have a surge block high enough to protect the appliance it is connected to. If you have any questions regarding the type and size of surge protector needed contact a licensed electrician in your area.

Damages due to power surges are not considered a manufacturer covered defect and will void your product warranty.

OPERATING YOUR APPLIANCE

➤ Setting the Temperature Control

- To control the internal temperature, adjust the control dials according to the ambient temperature or purpose of use.
- The first time you turn the unit on, set the temperature control to “7”.
- The range of the temperature control is from position “1” the warmest to “7” the coldest in the freezer section. After 24 to 48 hours, adjust the temperature control to the setting that best suits your needs. The setting of “5” should be correct for home or office refrigerator use.



NOTE:

- IF THE UNIT IS UNPLUGGED, HAS LOST POWER, OR IS TURNED OFF, YOU MUST WAIT 3 TO 5 MINUTES BEFORE RESTARTING THE UNIT. IF YOU ATTEMPT TO RESTART BEFORE THIS TIME DELAY, THE REFRIGERATOR-FREEZER WILL NOT START.

NOTE:

- Turning the temperature control to "0 " position stops the cooling cycle but does not shut off the power to the freezer.
- If the unit is unplugged, lost power, or turned off; you must wait 3 to 5 minutes before restarting the unit. If you attempt to restart before this time delay, the freezer will not start.
- Large amounts of food will lower the cooling efficiency of the appliance.
- If you choose to change the thermostat setting, adjust thermostat control by one numerical increment at a time. Allow several hours for temperature to stabilize between adjustments.

➤ Defrosting Your Freezer

- When? For the most efficient operation and minimum energy consumption, defrost the freezer when the frost on the freezer walls is excessive or ¼ to ½ inch thick.
- Choose a time when the stock of frozen food is low.

CAUTION

Do not use boiling water because it may damage the plastic parts. In addition, never use a sharp or metallic instrument to remove frost as it may damage the cooling coils and will void the warranty. We recommend using the plastic scraper provided with your unit.

- Remove the frozen food from the freezer and place it in a cooler to protect the food.
- Turn the thermostat knob to “0”.
- Unplug the freezer. The “POWER ON INDICATOR” light should be OFF.
- During defrosting, the ice melts into the cabinet.
- Remove the drain plug on the inside floor of the freezer by pulling straight out.
- Place a shallow pan outside drain outlet. Rotate the drain dial 180 degrees and pull outward. This will allow the water to flow freely to the pan.
- Check the pan occasionally so the water does not overflow.
- Clean the interior of the freezer.
- Replace the plug on the inside floor.
- Replace the outside drain dial.
- Reconnect electrical connection. The “POWER ON INDICATOR” light should be ON
- Reset the thermostat to desired setting.
- Allow the cabinet to cool for one hour.
- Return food to the freezer.

HELPFUL HINT:

Defrosting usually takes a few hours. Leaving the door open will help speed the process. Also, pouring warm water (not boiling) on the ice/frost will help speed melting. If you must use a scraper- please use caution - it is very easy to damage the freezer compartment and void your warranty.

➤ The Freezer Compartment

- This compartment is designed for the long-term storage of frozen food. Storage time is up to three months.
- The storage life of frozen foods varies and the recommended storage time should not be exceeded. The instructions regarding the care of frozen foods should be followed when defrosting the freezer.
- Pre-packed commercially frozen food should be stored in accordance with the frozen foods manufacturer's instructions for a three star frozen food storage compartment or home freezer.
- Place frozen food into the freezer as quickly as possible after purchase. If there are instructions on the packet, carefully follow these instructions regarding storage times.
- The freezer door is susceptible to breaking due to excessive ice build up. Be sure to defrost when the ice reaches ¼ to ½ inch thick.

A storage basket is provided for the organization of odd-shaped items. To reach other packages in the freezer, just slide the basket to one side, or lift it out

➤ Freezing Fresh Foods

- Proper use of the appliance, adequately packed food, correct temperature and taking into account hygienic precautions will substantially influence the quality of freezing the food or storing of the frozen foods.
- This compartment is designed for the long-term storage of frozen food.
- The storage life of frozen foods varies and the recommended storage time should not be exceeded.
- Pre-packed commercially frozen food should be stored in accordance with the frozen foods manufacturer's instructions for a three star frozen food storage compartment or home freezer.
- Place frozen food into the freezer as quickly as possible after purchase. If there are instructions on the packet, carefully follow these instructions regarding storage times.
- Carefully select food you intend to freeze, it should be of adequate quality and suitable for freezing.
- Use correct packaging and wrap it tight.
- The packaging should be airtight and shouldn't leak since this could cause substantial vitamin loss and dehydration of foods.
- Foils and bags should be soft enough to tightly wrap around the foods.
- When preparing foods to be frozen, consider sanitary precautions.
- Mark packages with following data: kind and amount of foods and the date of loading.
- It is most important that the food is frozen as quickly as possible.
- If the loading amount is too large, the quality of freezing is reduced which affects the quality of frozen foods.

CARE AND MAINTENANCE

➤ Cleaning Your Freezer

- Upon installation of your new appliance, it is recommended that it be cleaned thoroughly.
- Turn the temperature control to "0", unplug the freezer, remove the food and storage basket.
- Wash the inside with a damp warm cloth containing a water and baking soda solution. The solution should be about 2 tablespoons of baking soda to a quart of water.
- Wash the storage basket with a mild detergent solution.
- Be sure to keep the door gasket (seal) clean to keep the unit running efficiently.
- The outside of the freezer should be cleaned with mild detergent and warm water.
- Dry the interior and exterior with a soft cloth.
- It is recommended that the unit be cleaned each time it is defrosted to help keep the unit odor free and running efficiently.

➤ Vacation Time

- Remove all the food.
- Unplug the freezer.
- Clean the freezer.
- Leave the door open slightly to avoid possible formation of condensation, mold, or odors.
- Use extreme caution in the case of children. The unit should not be accessible to child's' play.
- **Short vacations:** Leave the freezer operating during vacations of less than three weeks.
- **Long vacations:** If the appliance will not be used for several months, remove all food and unplug the power cord. Clean and dry the interior thoroughly. To prevent odor and mold growth, leave the door open slightly: blocking it open if necessary or have the door removed.

➤ Moving Your Freezer

- Remove all the food.
- Securely tape down all loose items inside your freezer.
- Remove the rollers to prevent damage.
- Tape the doors shut.
- Be sure the freezer stays in the upright position during transportation.

➤ Energy Saving Tips

- The freezer should be located in the coolest area of the room, away from heat producing appliances or heating ducts, and out of the direct sunlight.
- Let hot foods cool to room temperature before placing in the freezer. Overloading the freezer forces the compressor to run longer. Foods that freeze too slowly may lose quality, or spoil.
- Be sure to wrap foods properly, and wipe containers dry before placing them in the freezer. This cuts down on frost build-up inside the freezer.
- Freezer storage bin should not be lined with aluminum foil, wax paper, or paper toweling. Liners interfere with cold air circulation, making the freezer less efficient.

Organize and label food to reduce door openings and extended searches. Remove as many items as needed at one time, and close the door as soon as possible

PROBLEMS WITH YOUR FREEZER

You can solve many common freezer problems easily, saving you the cost of a possible service call. Try the suggestions below to see if you can solve the problem before calling the servicer.

TROUBLESHOOTING GUIDE

PROBLEM	POSSIBLE CAUSE
Freezer does not operate.	Not plugged in. The circuit breaker tripped or a blown fuse. The freezer temperature control is set at "0".
Compressor turns on and off frequently.	The room temperature is hotter than normal. A large amount of food has been added to the freezer. The door is open too often. The door is not closed completely. The temperature control is not set correctly. The door gasket does not seal properly. The freezer does not have the correct clearances. The freezer has recently been disconnected for a period of time. Four hours are required for the freezer to cool down completely.
Temperature inside the freezer is too warm.	Temperature control is set too warm. Turn the control to a cooler setting and allow several hours for the temperature to stabilize. Door is kept open too long or is opened too frequently. Warm air enters the freezer every time the door is opened. Open the door less often. The door is not closed completely. The door gasket does not seal properly. A large amount of warm or hot food might have been stored recently. Wait until the freezer has had a chance to reach its selected temperature. The freezer has recently been disconnected for a period of time. Four hours are required for the freezer to cool down completely.
Temperature inside the freezer is too cold.	Temperature control is set too cold. Turn the control to a warmer setting and allow several hours for the temperature to stabilize. Fast Freeze switch is turned on. This causes continuous running of the compressor and bypasses the temperature control.
Temperature of external freezer surface is warm.	The exterior freezer walls can be as much as 30°F warmer than room temperature. This is normal while the compressor works to transfer heat from inside the freezer cabinet.
Popping or cracking sound when compressor comes on.	Metal parts undergo expansion and contraction, as in hot water pipes. This is normal. Sound will level off or disappear as freezer continues to run.
Bubbling or gurgling sound, like water boiling.	Refrigerant (used to cool freezer) is circulating throughout the system. This is normal.
Vibrations.	Check to assure that the freezer is on a level surface. Floor is uneven or weak. Freezer rocks on the floor when it is moved slightly. Be sure floor can adequately support freezer. Level the freezer by putting wood or metal shims under part of the freezer. The freezer is touching the wall. Re-level the

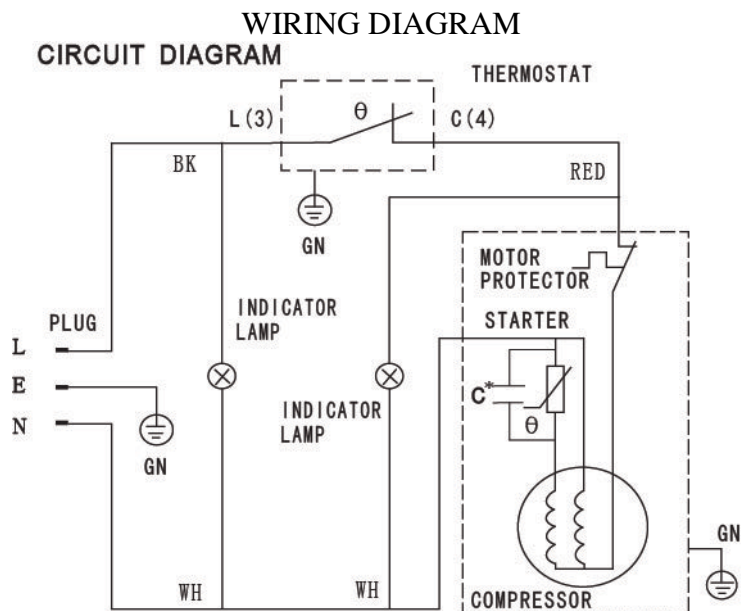
	freezer and move it from the wall. See "Installation Instructions".
Moisture forms on inside freezer walls.	Weather is hot and humid, which increases internal rate of frost build-up. This is normal. Door is slightly open. Door is kept open too long, or is opened too frequently. Open the door less often. The door is not sealed properly.
Moisture forms on outside of freezer.	Door is slightly open, causing cold air from inside the freezer to meet warm moist air from outside.
The door will not close properly.	The freezer is not on a level surface. The gasket is dirty. The storage basket is out of position.

SERVICE FOR YOUR APPLIANCE

We are proud of our customer service organization and the network of professional service technicians that provide service on your Avanti refrigerator - freezer. With the purchase of your Avanti refrigerator - freezer, you can be confident that if you ever need additional information or assistance, the Avanti Products Customer Service team will be here for you. Just call us toll-free.

AVANTI PRODUCTS CUSTOMER SERVICES

Product Information 800-323-5029	Whatever your questions are about our products, help is available.
Part Orders 800-220-5570	You may order parts and accessories that will be delivered directly to your home using personal check, money order, Master Card, or Visa.
In-Home Repair Service 800-220-5570	An Avanti Products authorized service center will provide expert repair service, scheduled at a time that is convenient for you. Our trained services know your refrigerator-freezer inside and out.



C*: The capacitor is optional according to different compressor model

YOUR AVANTI PRODUCTS WARRANTY	Staple your sales receipt here. Proof of original purchase date is needed to obtain service under warranty.
<p><u>WHAT IS COVERED – LIMITED ONE-YEAR WARRANTY</u> Avanti Products warrants that the product is free from defects in materials and/or workmanship for a period of twelve (12) months from the date of purchase by the original owner. The foregoing timeline begins to run upon the date of purchase, and shall not be stalled, tolled, extended, or suspended for any reason whatsoever unless described in detail in the warranty document. For one year from the date of purchase by the original owner, Avanti products will, at its option, repair or replace any part of the product which proves to be defective in material or workmanship under normal use. Avanti Products will provide you with a reasonably similar product that is either new or factory refurbished. During this period Avanti Products will provide all parts and labor necessary to correct such defects free of charge, so long as the product has been installed and operated in accordance with the written instructions in this manual. In rental or commercial use, the warranty period is 90 days. All Avanti appliances of 4.2 cubic feet capacity or less must be brought/sent to the appliance service center for repair.</p>	
<p><u>LIMITED SECOND THROUGH FIFTH YEAR WARRANTY</u> For the second through the fifth year from the date of original purchase, Avanti Products will provide a replacement compressor free of charge due to a failure. You are responsible for the service labor and freight charges. In rental or commercial use, the limited compressor warranty is one year and nine months. Costs involved to move the product to the service center and back to the user's home, as maybe required, are the user's responsibility.</p>	
<p><u>WARRANTY EXCLUSIONS / WHAT IS NOT COVERED:</u> The warranty coverage described herein excludes all defects or damage that are not the direct fault of Avanti Products, including without limitation, one or more of the following:</p>	
<ul style="list-style-type: none"> ● A failure to comply with any applicable state, local, city, or county electrical, plumbing and/or building codes, regulations, or laws, including failure to install the product in strict conformity with local fire and building codes and regulations. ● Any external, elemental and/or environmental forces and factors, including without limitation, rain, wind, sand, floods, fires, mud slides, freezing temperatures, excessive moisture or extended exposure to humidity, lightning, power surges, structural failures surrounding the appliance, and acts of God. 	
<ul style="list-style-type: none"> ● Content losses of food or other content due to spoilage. ● Incidental or consequential damages ● Parts and labor costs for the following will not be considered as warranty: <ul style="list-style-type: none"> ● Evaporator doors, door springs, and/or frames. ● Inner door panels, door shelves, door rails, and/or door supports. ● Chest freezer lid liners. ● Light bulbs and/or plastic housing. ● Plastic cabinet liners. ● Punctured evaporator that voids the warranty on the complete sealed system. 	<ul style="list-style-type: none"> ● Shipping and handling costs associated with the replacement of the unit. ● Repairs performed by unauthorized servicers. ● Service calls that are related to external problems, such as abuse, misuse, inadequate electrical power, accidents, fire, floods, or any other acts of God. ● Failure of the product if it is used for other than it intended purpose. ● The warranty does not apply outside the Continental USA. ● Surcharges including but not limited to, any after hour, weekend, or holiday service calls, tolls, ferry trip charges, or mileage expense for service calls to remote areas.
<p>In no event shall Avanti Products have any liability or responsibility whatsoever for damage to surrounding property, including cabinetry, floors, ceilings, and other structures and/or objects around the product. Also excluded from this warranty are scratches, nicks, minor dents, and other cosmetic damages on external surfaces and exposed parts; Products on which the serial numbers have been altered, defaced or removed; service visits for customer education, or visits where there is nothing wrong with the product; correction of installation problems (you are solely responsible for any structure and setting for the product, including all electrical, plumbing and/or other connecting facilities, for proper foundation/flooring, and for any alterations including without limitation cabinetry, walls, floors, shelving etc., as well as the resetting of breakers or fuses.</p>	
<p><u>OUT OF WARRANTY PRODUCT</u> Avanti Products is under no obligation, at law or otherwise, to provide you with any concessions, including repairs, pro-rates, or product replacement, once this warranty has expired.</p>	
<small>WARRANTY – REFRIGERATION - COMPRESSOR</small>	

INSTRUCCIONES EN ESPAÑOL

PRECAUCIÓN	Para reducir el riesgo de incendio, descarga eléctrica, o daño cuando use su electrodoméstico, siga las siguientes precauciones.
<ul style="list-style-type: none">• Lea todas las instrucciones antes de usar su electrodoméstico.• Peligro o Precaución: Existe el riesgo que los niños queden atrapados.• Niños atrapados o sofocamiento no son un problema del pasado. Los electrodomésticos son peligrosos aún si solo los deja en el garaje por un par de días.• Antes de desechar su electrodoméstico o refrigerador usado: quítele las puertas. Deje las repisas en su lugar para evitar que los niños se queden atrapados.• No permita que los niños manejen, jueguen o entren dentro del electrodoméstico.• No limpie su electrodoméstico con líquidos inflamables. Los gases pueden ocasionar fuego o una explosión.• No guarde ni use gasolina u otros líquidos inflamables cerca de este o de cualquier otro electrodoméstico. Los vapores pueden ocasionar fuego o explosión. <p style="text-align: center;">- <u>Guarde estas instrucciones</u> -</p>	

INSTRUCCIONES PARA LA INSTALACIÓN

Antes de usar su equipo

- Retire la envoltura interna y externa.
- Verifique que tenga las siguientes partes: 1 manual de instrucciones, 1 canasta, y una espátula plástica.
- Antes de conectar su electrodoméstico a la corriente eléctrica, ubíquelo en posición vertical sobre una superficie plana por lo menos por 2 horas. Esto reducirá la posibilidad de malfuncionamiento en el sistema de enfriamiento por el manipuleo durante el transporte.
- Limpie la superficie interior con agua tibia usando un trapo suave.

Instalación de su electrodoméstico

- Ubique su electrodoméstico en un piso que sea lo suficientemente fuerte para soportar su peso cuando esté totalmente lleno o cargado. Para nivelar el electrodoméstico, ajuste las patas delanteras.
- Deje aproximadamente 5 pulgadas de espacio entre la parte trasera y los costados de su electrodoméstico, así permitirá la circulación de aire necesaria para enfriar el compresor.
- Mantenga su electrodoméstico alejado del aire caliente, vapor o líquidos que puedan salpicarlo, ya que la unidad podría averiarse.
- Los rayos solares directos pueden malograr la capa acrílica, y las fuentes de calor pueden ocasionar un aumento en el consumo eléctrico. Manténgalo lo más alejado posible del agua para prevenir algún choque eléctrico. Evite los sitios húmedos y los ambientes extremadamente fríos ya que esto puede afectar la eficiencia del enfriamiento de su electrodoméstico.
- Evite ubicar su electrodoméstico en áreas mojadas o muy húmedas.
- Conecte el electrodoméstico a un enchufe de pared exclusivo con conexión a tierra. Bajo ninguna razón se debe retirar la tercera punta del enchufe. Cualquier consulta con respecto a la energía y/o cable de tierra debe ser dirigida a un electricista certificado o autorizado por el Servicio Técnico de Avanti Products.

NO instale la unidad en un lugar donde la temperatura ambiental se puede bajar a menos de 32 ° F (0°C) o subir sobre 110 °F (43°C). Temperaturas ambientales fuera de este rango afectará el rendimiento de su unidad y no permitirá mantener la temperatura adecuada.

➤ Conexión Eléctrica

⚡ ADVERTENCIA ⚡

EL USO INAPROPIADO DEL ENCHUFE A TIERRA PUEDE OCASIONAR RIESGO DE UN CHOQUE ELECTRICO. SI EL CORDON SE DAÑASE, LLEVELO A UN CENTRO DE SERVICIO AUTORIZADO POR AVANTI PRODUCTS PARA QUE SE REEMPLACE.

- Para su seguridad, este congelador debe estar apropiadamente conectada a tierra. El cordón eléctrico de este congelador esta equipado con un enchufe de tres puntas, el cual encaja perfectamente en los receptáculos/enchufes de pared de tres puntas estándar, para minimizar la posibilidad de un choque eléctrico.
- Bajo ninguna circunstancia corte o retire la tercera punta (cable a tierra) del enchufe del cordón eléctrico.
- Nunca use un cable de extensión para conectar la unidad a la electricidad.
- Nunca use un adaptado con enchufe de solo 2 puntas.
- Si solo puede conectar la máquina de hacer hielo a un receptáculo/enchufe de pared de 2 puntas, comuníquese con un electricista calificado para que reemplace ese receptáculo/enchufe de pared por uno de 3 puntas, de acuerdo con los códigos de electricidad aplicables.
- Este congelador requiere un receptáculo/enchufe de pared de tres puntas estándar de 115/120 voltios a.c.~/60hz.
- Para prevenir cualquier daño físico o lesión, el cordón debe ser asegurado detrás de la máquina de hacer hielo y no estar expuesto o colgando.

➤ Cable de Extensión

Debido al posible riesgo de seguridad causado bajo ciertas circunstancias, se recomienda firmemente que no use un cable de extensión para este electrodoméstico. Sin embargo, si no tiene otra opción mas que usar un cable de extensión, asegúrese que este sea un cable de extensión para electrodomésticos que este listado bajo UL/CUL, que tenga enchufe y receptáculo para enchufe de tres puntas (cable a tierra) y que la capacidad del cordón eléctrico sea de 115 voltios y no menos de 10 amperios.

➤ Protector contra variaciones de corriente eléctrica (Surge Protector).

La mayoría de electrodomésticos utilizan una series de paneles de control para operar. Estos paneles son muy susceptibles a las variaciones de corriente eléctrica, las cuales causan que estos se dañen o destruyen.

Si vive en un área o ciudad done hay muchas variaciones de corriente o apagones, se recomienda que utilice un protector contra variaciones de corriente para todos los electrodomésticos y aparatos eléctricos. El protector que elija debe bloquear una variación de electricidad alta para poder proteger el electrodoméstico al cual está conectado. Por favor contáctese con un electricista licenciado en su área si tuviera preguntas en referencia al tipo y tamaño de protector que necesita.

Daños debido a variaciones de electricidad no se consideran un defecto del fabricante y podrían anular la garantía.

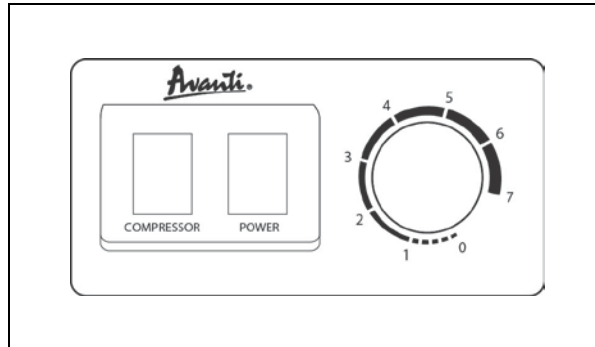
Como graduar la temperatura

Para ajustar la temperatura interna de su unidad, ajuste los controle considerando la temperatura ambiental.

Una vez conectada su unidad, mueva el control de la temperatura hacia la posición "7". La posiciones del control funciona de la siguiente manera:

La posición "0" Menos Frío/ La posición "7" más Frío

Una vez transcurrida 24 ó 48 horas, Usted deber reajustar los controles en ambos compartimientos hacia la posición "5" los cuales serán apropiados para uso en casa u oficina.



Cuidados en los periodos de ausencia.

- Para cortos períodos de ausencia (menos de 21 días) el congelador podrá quedar funcionando. Coloque el botón de control de temperaturas en la posición mínima.
- En períodos de ausencia más largos, se aconseja dejar el refrigerador limpio y desconectado.
- Retire todo lo que tenga adentro del refrigerador y haga el deshielo y la limpieza general. También retire las cubeteras, limpie bien y séquelas internamente.
- Deje la puerta entreabierta para penetre el aire y así evitar la formación de olores.

Compartimiento de su congelador

- Este compartimiento está diseñado para un período largo (3 meses) de almacenamiento de alimentos congelados.
- El tiempo de almacenamiento de los alimentos congelados varía y se recomienda almacenarlos solamente mientras esté vigente la fecha de expiración.
- Alimentos congelados preenvasados comercialmente deben ser almacenados de acuerdo con las indicaciones de su fabricante.
- Coloque los alimentos congelados dentro de su electrodoméstico inmediatamente después de comprarlos. Si hay indicaciones en el envase, sígalas cuidadosamente considerando el tiempo de almacenamiento.

CUIDADO Y MANTENIMIENTO

Limpiando su electrodoméstico

- Desconecte el electrodoméstico y retire los alimentos.
- Lave el interior con agua tibia y un trapo suave remojado en una solución de Bicarbonato de Sodio. La solución consiste en 2 cucharadas del referido compuesto químico y un litro de agua.
- Lave la canasta de almacenaje con un detergente suave.
- Las partes externas de su electrodoméstico deben ser limpiadas con un detergente suave y agua tibia.

ADVERTENCIA

Asegúrese de desconectar el electrodoméstico de la corriente eléctrica. Si no lo hace, puede ocasionar un choque eléctrico o herirse.

Si falla el suministro eléctrico

Usualmente la electricidad regresa en unas pocas horas sin afectar la temperatura de su electrodoméstico, siempre que la puerta no se abra muy frecuentemente. Si le va a faltar electricidad por un período de tiempo más largo, usted debe tomar los pasos apropiados para proteger sus alimentos.

Si usted sale de vacaciones

Retire todos los alimentos si va a estar ausente por un período largo; desconecte y limpie su electrodoméstico.

Deje la puerta del electrodoméstico ligeramente abierta para evitar la formación de mal olor y moho.

Como cambiar la dirección de apertura de la puerta

En caso de que necesite cambiar el lado de apertura de la puerta, por favor consulte al servicio pos-venta de su localidad.

Para mover su electrodoméstico

- Retire los alimentos.
- Asegúrese de colocar cinta adhesiva a todo lo que se puede caer dentro de su electrodoméstico.
- Retire las patas para prevenir que se dañen.
- Selle las puertas con cinta adhesiva.
- Asegúrese que el electrodoméstico se mantenga parado durante el traslado.

Consejos para ahorrar energía

- Su electrodoméstico debe estar ubicado en el área más fría de la habitación, alejado de electrodomésticos que produzcan calor o conductos de aire caliente y lejos de los rayos solares.
- Los alimentos calientes deben estar a temperatura ambiental antes de colocarlos en el electrodoméstico. Si sobrecarga su electrodoméstico forzará al compresor a funcionar más tiempo del normal. Los alimentos que se congelan lentamente pierden calidad y se malogran.
- Asegúrese de envolver adecuadamente los alimentos y de secar los empaques o contenedores antes de colocarlos dentro del electrodoméstico. Colocarlos mojados ocasiona escarcha en el electrodoméstico.
- La canasta de almacenaje de su electrodoméstico no debe ser forrada con papel aluminio, papel de cera o papel toalla ya que esto interfiere con la circulación del aire frío restando eficiencia a su electrodoméstico.
- Organice y coloque etiquetas en los envases de los alimentos con la finalidad de encontrar rápidamente lo que usted está buscando. Retire la mayor cantidad posible de cosas que necesita a la vez y cierre la puerta del electrodoméstico tan pronto le sea posible.

APPAREIL SÉCURITÉ

Votre sécurité et celle des autres sont très importantes.

Nous avons fourni de nombreux messages de sécurité importants dans ce manuel pour votre appareil. Toujours lire et obéir à tout message de sécurité.



C'est le symbole d'alerte de sécurité. Ce symbole vous signale les dangers potentiels peut tuer ou blesser vous et d'autres. Tout sécurité messages suivra la sécurité Symbole d'alerte et soit les mots " DANGER", "ATTENTION" ou "PRUDENCE".



Danger signifie que la non-respect de cette déclaration de sécurité peut entraîner des blessures ou la mort.



Attention signifie que le non-respect de cette déclaration de sécurité peut entraîner des dommages importants du produit, des blessures graves ou la mort.



Attention signifie que le non-respect de cette déclaration de sécurité peut entraîner des mineures ou modérées blessure, des biens ou des dommages matériels.

Tout message de sécurité alertera vous savez ce que danger potentiel est, vous dire comment réduire les risques de blessures, et que vous savez ce qui peut arriver si les instructions ne sont pas suivies.

AVERTISSEMENTS DE GAZ REFRIGERANT

DANGER - Risque d'incendie ou d'explosion. réfrigérant inflammable utilisé. NE PAS utiliser des dispositifs mécaniques pour dégivrer le réfrigérateur. NE PAS percer un tube réfrigérant.

DANGER - Risque d'incendie ou d'explosion. used inflammable frigorifères.

Ne PAS UTILISER de Dispositifs mécaniques pour réfrigérateur à dégivrage. Ne pas percer la tuyauterie du réfrigérant

DANGER - Risque d'incendie ou d'explosion. réfrigérant inflammable utilisé.

Pour être réparé que par du personnel qualifié. NE PAS percer un tube réfrigérant.

DANGER - Risque d'incendie ou d'explosion. used inflammable frigorifères.

Pour Être Repare Que par du peronnel qualifié. Ne pas percer la tuyauterie du réfrigérant.

ATTENTION - Risque d'incendie ou d'explosion. réfrigérant inflammable utilisé.

Consultez le guide de réparation manuelle / propriétaire avant de tenter de le service ce produit. Toutes les mesures de sécurité doivent être suivies.

AVERTISSEMENT - Risque d'incendie ou d'explosion. réfrigérant inflammable utiliser. CONSULTEZ réparation manuelle / owner, guide avant d 'essayer

CE du produit de de. Toutes les précautions doivent Être suivies.

ATTENTION - Risque d'incendie ou d'explosion. Éliminer des biens conformément avec les règlements fédéraux ou locaux. réfrigérant inflammable utilisé.

AVERTISSEMENT - Risque d'incendie ou d'explosion. Aliéner des Biens

Conformément à la Réglementation Federale ou locale. used inflammable frigorifères.

ATTENTION - Risque d'incendie ou d'une explosion due à la perforation du tuyau de réfrigérant; Suivez les instructions de manipulation avec soin. réfrigérant inflammable utilisé.

AVERTISSEMENT - Risque d'incendie ou d'explosion dus à la perforation des

tuyaux de fluide réfrigérant, Suivez ATTENTIVEMENT les instructions remise. used inflammable Réfrigérant

SAFEGU IMPORTANTIDES



Avant que le réfrigérateur est utilisée, elle doit être correctement positionné et installé en tant que décrit dans ce manuel, afin de lire attentivement le manuel. Pour réduire le risque d'incendie, choc électrique ou de blessure lors de l'utilisation du réfrigérateur, suivez les précautions de base, comprenant les éléments suivants:

DANGER

- Brancher sur une 3 broches mise à la terre sortie, faire pas enlever la terre broches, faire pas utiliser une annonceunepeter, et ne pas utiliser une rallonge.
- Il est recommandé qu'un circuit séparé, servant uniquement votre réfrigérateur sera fourni. Utilisez des récipients cette ne peut pas être désactivé par une chaîne de traction interrupteur ou.
- Jamais pièces de réfrigérateur propre avec des liquides inflammables. Ces vapeurs peuvent créer un risque d'incendie or explosion. Et ne pas stocker ou utiliser de l'essence ou d'autres vapeurs et liquides inflammables à proximité de cet appareil ou de tout autre appareil. Les vapeurs peuvent créer un risque d'incendie ou d'explosion.
- Avant de procéder à des opérations de nettoyage et d'entretien, assurez-vous que la ligne d'alimentation de l'appareil est débranché.
- Faire pas brancher ou débrancher la prise électrique lorsque vos mains sont humides.
- Débrancher le réfrigérateur ou couper le courant avant le nettoyage ou l'entretien. Ne pas le faire peut entraîner un choc électrique ou la mort.
- Faire pas tenter de réparer ou de remplacer une partie de votre réfrigérateur à moins qu'il ne soit spécifiquement recommandé dans ce manuAl. Toutes les autres réparations doivent être confiées à un technicien qualifié.

WARNING

SUIVRE LES INSTRUCTIONS SUIVANTES LORSQU'ELLES APPLICABLE À VOTRE MODÈLE

- Utilisation deux personnes ou plus pour déplacer et installer le réfrigérateur. Ne pas le faire peut entraîner dans le dos ou d'autres blessures.
- Pour assurer une ventilation appropriée pour votre réfrigérateur, la face avant de l'appareil doit être complètement dégagée. Choisissez un endroit bien ventilé avec des températures supérieures à 60°F (16°C) et plus bas 90°F (32°C). Cet appareil doit être installé dans une zone protégée de l'élément, comme le vent, la pluie, de l'eau pulvérisée ou de gouttes.
- le réfrigérateur ne doit pas être situé à côté de fours, grilles ou autres sources de chaleur élevée.
- le réfrigérateur doit être installé avec toutes les connexions électriques en conformité avec les codes nationaux et locaux. Une alimentation électrique standard (115 V CA seulement, 60 Hz), mise à la terre conformément au Code national de l'électricité et les codes et règlements locaux est nécessaire.
- Faire pas plier ou pincer le cordon d'alimentation du réfrigérateur.
- le fusible (ou disjoncteur) doit être de 15 ampères.
- Il est important pour le réfrigérateur pour être nivelé afin de fonctionner correctement. Vous devrez peut-être faire plusieurs ajustements à niveler.
- Ne jamais laisser les enfants utiliser, jouer avec ou crawl à l'intérieur du réfrigérateur.
- Bien que l'appareil a été testé à l'usine, en raison de transit et le stockage à long terme, le premier lot de cubes doit être jeté.
- Faire pas utiliser de produits de nettoyage à base de solvants d'abrasifs à l'intérieur. Ces nettoyeurs peuvent endommager ou décolorer l'intérieur.
- Ne pas utiliser cet appareil pour d'autres fins que celles prévues.

AIDEZ-NOUS AIDER...

Lisez attentivement ce guide.

Il est destiné à vous aider à utiliser et à maintenir votre nouveau réfrigérateur-congélateur correctement.

Gardez-le à portée de main pour répondre à vos questions.

Si vous ne comprenez pas quelque chose ou vous avez besoin de plus d'aide, s'il vous plaît appelez:

**Avanti Service à la clientèle
800-220-5570**

Gardez preuve de la date d'achat d'origine (tel que votre bordereau de vente) avec ce guide pour établir la période de garantie.

PRUDENCE:

**CETTE CONGELATEUR EST
PAS CONÇU POUR LE
STOCKAGE DE MÉDECINE OU
D'AUTRES PRODUITS
MÉDICAUX.**

Notez le modèle et le numéro de série.

Vous les trouverez sur une plaque située sur la paroi arrière du réfrigérateur-congélateur.

S'il vous plaît écrire ces chiffres ici:

Date d'achat

Numéro de modèle

Numéro de série

Utilisez ces numéros dans toute correspondance ou appels de service concernant votre réfrigérateur-congélateur.

Si vous avez reçu un réfrigérateur-congélateur endommagé, contactez immédiatement le revendeur (ou le constructeur) qui vous a vendu le réfrigérateur-congélateur.

Gagnez du temps et de l'argent. Avant d'appeler le service, consultez le Guide de dépannage. Il énumère les causes des problèmes de fonctionnement mineurs que vous pouvez vous corriger.

SI VOUS AVEZ BESOIN DE SERVICE

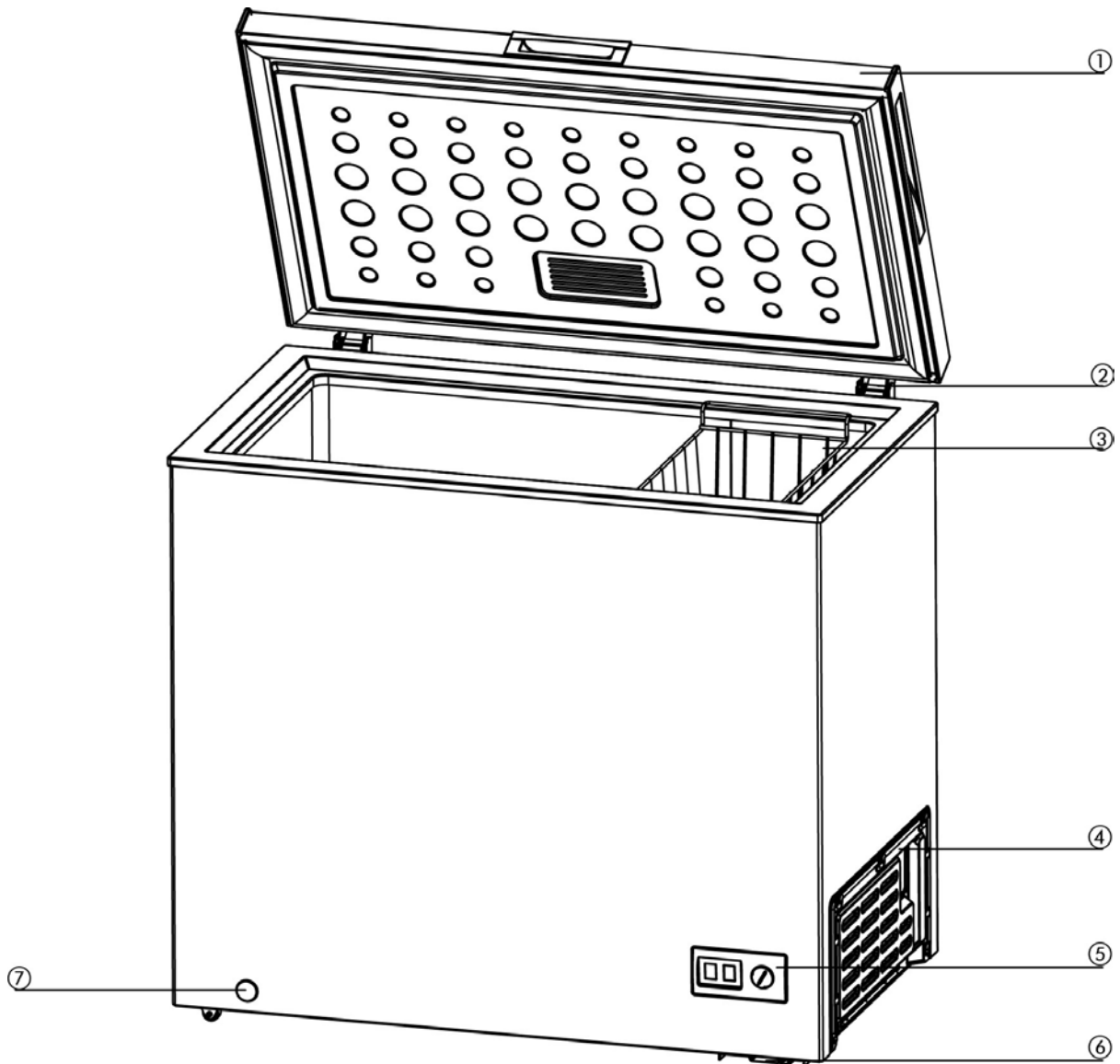
Nous sommes fiers de notre service et nous voulons que vous soyez heureux. Si pour une raison quelconque vous n'êtes pas satisfait du service que vous recevez, voici quelques étapes à suivre pour obtenir de l'aide.

FIRST, communiquer avec les personnes qui ont réparé votre réfrigérateur-congélateur. Expliquez pourquoi vous n'êtes pas satisfait. Dans la plupart des cas, cela va résoudre le problème.

Ensuite, si vous n'êtes toujours pas satisfait, écrivez tous les détails, y compris votre numéro de téléphone, et l'envoyer à:

**Service Clients
Avanti Produits
10880 NW 30 Street
Miami, FL 33172**

PIÈCES ET CARACTÉRISTIQUES



1	PORTE AVEC POIGNÉE INTEGRÉE
2	CHARNIERES
3	PANIER DE RANGEMENT
4	COMPRESSEUR
5	PANNEAU DE CONTROLE
6	PATIN A ROULETTES
7	DRAINAGE DE DEGRIVAGE

CONSIGNES DE SÉCURITÉ IMPORTANTES

⚡ ATTENTION ⚡	Pour réduire le risque d'incendie, d'électrocution ou de blessure lors de l'utilisation de votre réfrigérateur congel, suivre ces précautions de base:
<ul style="list-style-type: none">• Lisez toutes les instructions avant d'utiliser le congélateur.• DANGER ou AVERTISSEMENT: Risque de piégeage des enfants. piégeage des enfants et la suffocation ne sont pas des problèmes du passé. Jetés ou abandonnés réfrigérateurs-congélateurs sont toujours dangereux. . . même si elles vont "rester assis dans le garage quelques journées."• Avant de jeter votre vieux congélateur: Enlever les portes. Laissez les étagères en place afin que les enfants ne puissent pas grimper facilement à l'intérieur.• Ne jamais laisser les enfants utiliser, jouer avec, ou ramper à l'intérieur du congélateur.• Jamais pièces propre réfrigérateur-congélateur avec des liquides inflammables. Les vapeurs peuvent créer un risque d'incendie ou d'explosion.• Ne pas entreposer ou utiliser d'essence ou d'autres vapeurs et liquides inflammables à proximité de cet appareil ou tout autre réfrigérateur-congélateur. Les vapeurs peuvent créer un risque d'incendie ou d'explosion. <p style="text-align: center;">-Enregistrez Ces INSTRUCTIONS-</p>	

INSTRUCTIONS D'INSTALLATION

➤ Avant d'utiliser votre appareil

- Retirez l'emballage extérieur et intérieur.
- Vérifiez que vous avez toutes les pièces suivantes:
 - 1 Panier de rangement
 - 1 Bouchon de vidange
 - 1 Mode d'emploi
 - 1 Plastic Scraper
- Avant de connecter l'appareil à la source d'alimentation, laissez-le tenir debout pendant environ 2 heures. Cela permettra de réduire la possibilité d'un mauvais fonctionnement du système de refroidissement lors de la manipulation durant le transport.
- Nettoyer la surface intérieure à l'eau tiède avec un chiffon doux.

➤ Installation de votre appareil

- Placez votre réfrigérateur-congélateur sur un sol qui est assez solide pour supporter le réfrigérateur-congélateur quand il est complètement chargé. Pour mettre à niveau votre réfrigérateur-congélateur, réglez les pieds de nivellement au bas de l'unité.
- Autoriser 5 pouces d'espace entre l'arrière et les côtés de l'appareil, ce qui permet la circulation de l'air pour refroidir le compresseur et le condenseur.
- Éloignez l'appareil des rayons du soleil et des sources de chaleur (cuisinière, chauffage, radiateur, etc.). La lumière solaire directe peut affecter le revêtement acrylique et sources de chaleur peuvent augmenter la consommation électrique. Les températures ambiantes froides extrêmes peuvent également provoquer le réfrigérateur-congélateur ne pas fonctionner correctement.
- Éviter de placer l'appareil dans les zones humides.
- Branchez l'appareil dans une prise murale correctement installée à la terre exclusive. Ne pas en aucun cas réduire ou supprimer la troisième (terre) du cordon d'alimentation. Toute question concernant le pouvoir et / ou mise à la terre doivent être adressées à un électricien certifié ou un centre de service Avanti Produits autorisé.

➤ Ne pas installer l'appareil dans un endroit où la température ambiante descend au-dessous de 32 ° F (0°C) ou élevons au-dessus de 110 °F (43°C). Temperatures ambiantes dehors de cette plage affectera les performances de la machine et ne lui permettra pas de maintenir la bonne température.

CONNEXION ÉLECTRIQUE

⚡ Attention ⚡

Une mauvaise utilisation de la prise de terre peut entraîner un risque de choc électrique. Si le cordon d'alimentation est endommagé, faites-le remplacer par un centre de service Avanti Produits

Cet appareil doit être correctement mis à la terre pour votre sécurité. Le cordon d'alimentation de cet appareil est équipé d'une fiche à trois broches qui accouple avec trois standards prises murales broches afin de minimiser le risque de choc électrique.

Ne pas en aucun cas couper ou enlever la troisième broche de terre du cordon d'alimentation fourni. Pour votre sécurité, cet appareil doit être correctement mis à la terre.

Cet appareil nécessite une norme 115/120 Volt AC ~/ Sortie de masse électrique 60Hz avec trois broches. Avoir la prise murale et le circuit par un électricien qualifié pour vous assurer que la prise est correctement mise à la terre. Quand une prise murale standard de 2 broches est rencontré, il est de votre responsabilité et l'obligation de la faire remplacer par une prise murale à 3 broches correctement mise à la terre.

Le cordon doit être fixé derrière l'appareil et non laissés exposés ou qui pendent pour prévenir les blessures accidentelles.

L'appareil doit toujours être branché dans sa propre personne Electrique sortie qui a une tension qui correspond à l'étiquette apposée sur l'appareil. Ceci permet d'obtenir les meilleures performances et éviter une surcharge des circuits de câblage de la maison qui pourraient causer un risque d'incendie de surchauffé. Ne jamais débrancher l'appareil en tirant sur le cordon d'alimentation. Toujours saisir fermement la fiche et tirez tout droit sorti de la prise. Réparer ou remplacer immédiatement tous les cordons d'alimentation qui sont devenus usés ou endommagés. Ne pas utiliser un cordon qui présente des fissures ou des dommages à l'abrasion sur sa longueur ou à chaque extrémité. Lors du déplacement de l'appareil, veillez à ne pas endommager le cordon d'alimentation.

➤ RALLONGE ÉLECTRIQUE

En raison des risques potentiels pour la sécurité dans certaines conditions, il est fortement recommandé de ne pas utiliser une rallonge avec cet appareil. Toutefois, si vous devez utiliser une rallonge, il est absolument nécessaire que ce soit un UL / CUL, 3 fils de terre appareil rallonge ayant une fiche de mise à la terre et à la sortie et que la puissance électrique du câble est de 115 volts et au moins 10 ampères.

➤ PARASURTENSEUR

La plupart des appareils électriques utilisent une série de tableaux de commande électriques pour fonctionner. Ces cartes sont très sensibles aux surtensions et pourraient être endommagés ou détruits.

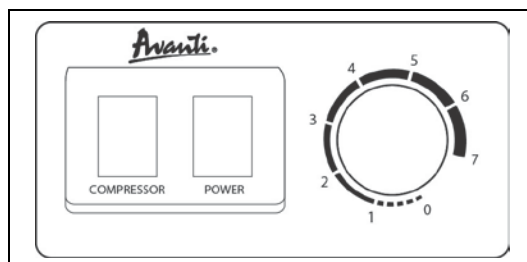
Si l'appareil va être utilisé dans une zone ou si votre ville / pays est sujette à des surtensions / coupures; il est suggéré que vous utilisez un dispositif de protection contre les surtensions pour tous les dispositifs / appareils électriques que vous utilisez. Le protecteur de surtension que vous sélectionnez doit avoir un bloc de poussée suffisamment élevé pour protéger l'appareil, il est connecté. Si vous avez des questions concernant le type et la taille d'un protecteur de surtension contact nécessaire à un électricien agréé dans votre région.

Les dommages dus à des surtensions ne sont pas considérés comme un fabricant couvert défaut et annulera la garantie du produit.

UTILISATION DE VOTRE APPAREIL

➤ Réglage de la commande de température

- Pour contrôler la température interne, d'ajuster les molettes de commande en fonction de la température ambiante ou le but d'utilisation.
- La première fois que vous allumez l'appareil, réglez la commande de température à "7".
- La portée du contrôle de la température est de la position "1" le plus chaud "7" le plus froid dans la partie congélateur. Après 24 à 48 heures, réglez la commande de température au réglage qui convient le mieux à vos besoins. Le réglage de "5" doit être correcte pour une utilisation à la maison ou au bureau réfrigérateur.



REMARQUE:

- SI L'APPAREIL EST UNPLUGGED, A PERDU LE POUVOIR OU EST ÉTEINT, VOUS DEVEZ ATTENDRE 3 À 5 MINUTES AVANT REDÉMARRAGE DE L'UNITÉ. SI VOUS ESSAYEZ DE REDÉMARRER AVANT LE MOMENT DE RETARD, LE RÉFRIGÉRATEUR-CONGÉLATEUR NE DÉMARRE PAS.

REMARQUE:

- Prendre le contrôle de la température à la position "0" arrête le cycle de refroidissement, mais ne coupe pas l'alimentation du congélateur.
- Si l'appareil est débranché, perdu le pouvoir, ou éteint; vous devez attendre 3 à 5 minutes avant de redémarrer l'unité. Si vous essayez de redémarrer avant ce délai, le congélateur ne démarre pas.
- De grandes quantités de nourriture fera baisser l'efficacité de refroidissement de l'appareil.
- Si vous choisissez de modifier le réglage du thermostat, régler le contrôle du thermostat d'un incrément numérique à la fois. Accorder quelques heures pour la température de se stabiliser entre les ajustements.

➤ Dégivrage Votre congélateur

- Quand? Pour l'opération la plus efficace et la consommation d'énergie minimale, dégivrer le congélateur lorsque le givre sur les parois du congélateur est excessive ou ¼ à ½ pouce d'épaisseur.
- Choisissez un moment où le stock de produits surgelés est faible.

PRUDENCE

Ne pas utiliser l'eau bouillante, car il peut endommager les pièces en plastique. En outre, ne jamais utiliser un instrument pointu ou métallique pour enlever le gel car cela pourrait endommager les serpentins de refroidissement et annulera la garantie. Nous recommandons d'utiliser le grattoir en plastique fourni avec votre appareil.

- Retirez les aliments congelés du congélateur et le placer dans une glacière pour protéger les aliments.
- Tournez le bouton du thermostat sur "0".
- Débranchez le congélateur. Le "POWER ON INDICATEUR" la lumière doit être OFF.
- Pendant le dégivrage, la glace fond dans l'armoire.
- Retirez le bouchon de vidange sur le sol à l'intérieur du congélateur en tirant tout droit.
- Placer une sortie de drain en dehors de casserole peu profonde. Tournez le drain cadran 180 degrés et tirer vers l'extérieur. Cela permettra à l'eau de circuler librement dans la casserole.

- Vérifier la casserole de temps en temps afin que l'eau ne déborde pas.
- Nettoyez l'intérieur du congélateur.
- Remettre le bouchon sur le plancher à l'intérieur.
- Remplacer le cadran de vidange extérieur
- Rebranchez la connexion électrique. La lumière "POWER ON INDICATEUR" doit être allumé
- Régler le thermostat à la position désirée.
- Laissez l'appareil refroidir pendant une heure.
- Alimentaire remettre au congélateur.

CONSEIL UTILE:

Décongeler prend généralement quelques heures. Laissant la porte ouverte permettra d'accélérer le processus. En outre, verser de l'eau chaude (non bouillante) sur la glace / gel permettra la fusion de la vitesse. Si vous devez utiliser un scraper- s'il vous plaît soyez prudent - il est très facile d'endommager le compartiment congélateur et annuler votre garantie.

➤ **Le compartiment congélateur**

- Ce compartiment est conçu pour le stockage à long terme des produits surgelés. Le temps de stockage est jusqu'à trois mois.
- La durée de conservation des aliments congelés varie et le temps de stockage recommandée ne doit pas être dépassée. Les instructions relatives à la prise en charge des aliments congelés doivent être suivies lors de la décongélation du congélateur.
- Préemballés alimentaire commercialement congelé doit être conservé conformément aux instructions du fabricant d'aliments surgelés pour un trois étoiles compartiment de stockage des aliments congelés ou à la maison congélateur.
- Placez les aliments surgelés dans le congélateur le plus rapidement possible après l'achat. S'il y a des instructions sur le paquet, suivez attentivement les instructions concernant les temps de stockage.
- La porte du congélateur est sensible à la rupture en raison de la glace excessive accumulation. Assurez-vous de dégivrage lorsque la glace atteint ¼ à ½ pouce d'épaisseur.

Un panier de rangement est prévu pour l'organisation des objets de forme irrégulière. Pour atteindre les autres paquets dans le congélateur, il suffit de glisser le panier d'un côté, ou soulevez-le

➤ **Congélation Aliments Fraiches**

- L'utilisation correcte de l'appareil, l'emballage des aliments, la température correcte et en tenant compte des précautions d'hygiène va influencer sensiblement la qualité de la congélation de la nourriture ou de stockage des aliments surgelés.
- Ce compartiment est conçu pour le stockage à long terme des produits surgelés.
- La durée de conservation des aliments congelés varie et le temps de stockage recommandée ne doit pas être dépassée.
- Préemballés alimentaire commercialement congelé doit être conservé conformément aux instructions du fabricant d'aliments surgelés pour un trois étoiles compartiment de stockage des aliments congelés ou à la maison congélateur.
- Placez les aliments surgelés dans le congélateur le plus rapidement possible après l'achat. S'il y a des instructions sur le paquet, suivez attentivement les instructions concernant les temps de stockage.
- Soigneusement sélectionner les aliments que vous souhaitez geler, il devrait être de qualité suffisante et appropriée pour la congélation.
- Utiliser un emballage correct et envelopper serré.
- L'emballage doit être étanche à l'air et ne doit pas fuir car cela pourrait entraîner une perte de vitamine importante et la déshydratation des aliments.
- Foils et sacs doivent être assez pour bien doux envelopper les aliments.
- Lors de la préparation des aliments à congeler, envisager des précautions sanitaires.
- Mark paquets avec les données suivantes: type et la quantité d'aliments et la date du chargement.
- Il est très important que la nourriture est congelée aussi rapidement que possible.
- Si la quantité de charge est trop importante, la qualité du gel est réduite, ce qui affecte la qualité des aliments congelés.

SOINS ET ENTRETIEN

➤ Nettoyage de votre congélateur

- Lors de l'installation de votre nouvel appareil, il est recommandé qu'il soit nettoyé à fond.
- Tournez la commande de température à "0", débranchez le congélateur, retirez la nourriture et panier de rangement.
- Laver l'intérieur avec un chiffon humide et chaud contenant une solution de soude et de l'eau de cuisson. La solution devrait être d'environ 2 cuillères à soupe de bicarbonate de soude à un litre d'eau.
- Lavez le panier de stockage avec une solution de détergent doux.
- Assurez-vous de garder le joint de la porte (joint) propre à maintenir l'unité de fonctionner efficacement.
- L'extérieur du congélateur doit être nettoyé avec un détergent doux et de l'eau chaude.
- Sécher l'intérieur et l'extérieur avec un chiffon doux.
- Il est recommandé que l'unité soit nettoyé chaque fois qu'il est décongelé pour aider à garder l'odeur de l'unité libre et fonctionne efficacement.

➤ Période de vacances

- Retirez tous les aliments.
- Débranchez le congélateur.
- Nettoyez le congélateur.
- Laissez la porte légèrement ouverte pour éviter la formation éventuelle de condensation, moisissures, ou les odeurs.
- Soyez extrêmement prudent dans le cas des enfants. L'unité ne doit pas être accessible à «un jeu d'enfant».
- **Courts séjours:** Laissez le congélateur fonctionner pendant des congés de moins de trois semaines.
- **Longues vacances:** Si l'appareil ne sera pas utilisé pendant plusieurs mois, retirez tous les aliments et débranchez le cordon d'alimentation. Nettoyer et sécher soigneusement l'intérieur. Pour éviter les odeurs et la croissance des moisissures, laisser la porte entrouverte: blocage ouverte si nécessaire ou avoir la porte enlevée.

➤ Déplacement de votre congélateur

- Retirez tous les aliments.
- Solidement ruban adhésif vers le bas tous les articles en vrac dans votre congélateur.
- Retirez les rouleaux pour éviter tout dommage.
- Collez les portes fermées.
- Assurez-vous que le congélateur reste en position verticale pendant le transport.

➤ Économiser de l'énergie

- Le congélateur doit être situé dans la zone la plus froide de la pièce, loin de la chaleur produisant des appareils ou des conduits de chauffage, et hors de la lumière directe du soleil.
- Laissez refroidir les aliments chauds à la température ambiante avant de le placer dans le congélateur. Surcharger le congélateur oblige le compresseur à fonctionner plus longtemps. Les aliments qui gèlent trop lentement peuvent perdre la qualité, ou gâter.
- Assurez-vous d'emballer les aliments et essuyez les contenants avant de les placer dans le congélateur. Cela réduit l'accumulation de givre à l'intérieur du congélateur.
- Congélateur bac de stockage ne doit pas être garni de papier d'aluminium, papier ciré ou du papier absorbant. Liners interférer avec la circulation d'air froid, ce qui rend le congélateur moins efficace.

Organiser et la nourriture de l'étiquette pour réduire les ouvertures de porte et les recherches prolongées. Retirez autant d'articles que nécessaire à un moment donné, et fermer la porte dès que possible

PROBLÈMES AVEC VOTRE CONGÉLATEUR

Vous pouvez résoudre de nombreux problèmes de congélateur commun facilement, vous permet d'économiser le coût d'un appel de service possible. Essayez les suggestions ci-dessous pour voir si vous pouvez résoudre le problème avant d'appeler le réparateur.

GUIDE DE DÉPANNAGE

PROBLÈME	CAUSE POSSIBLE
Le congélateur ne fonctionne pas.	Non branché. Le disjoncteur est déclenché ou un fusible grillé. Le contrôle de la température du congélateur est fixé à "0".
Compresseur allume et éteint fréquemment.	La température ambiante est plus chaud que la normale. Une grande quantité de nourriture a été ajouté au congélateur. La porte est ouverte trop souvent. La porte ne se ferme pas complètement. Le contrôle de la température ne soit pas correcte. Le joint de la porte ne se referme pas correctement. Le congélateur ne possède pas les autorisations correctes. Le congélateur a récemment été débranché pendant un laps de temps. Quatre heures sont nécessaires pour le congélateur pour refroidir complètement.
Température à l'intérieur du congélateur est trop chaud.	Contrôle de la température est trop chaude. Tournez la commande à un réglage plus froid et permettre à plusieurs heures pour la température se stabilise. La porte est maintenue ouverte trop longtemps ou est ouverte trop fréquemment. L'air chaud pénètre dans le congélateur chaque fois que la porte est ouverte. Ouvrez la porte moins souvent. La porte ne se ferme pas complètement. Le joint de la porte ne se referme pas correctement. Une grande quantité de nourriture chaude aurait été stocké récemment. Attendez que le congélateur ait eu une chance d'atteindre la température sélectionnée. Le congélateur a récemment été débranché pendant un laps de temps. Quatre heures sont nécessaires pour le congélateur pour refroidir complètement.
Température à l'intérieur du congélateur est trop froid.	Contrôle de la température est trop froide. Tournez la commande à un réglage plus chaud et laisser plusieurs heures pour la température se stabilise. commutateur Fast Freeze est activée. Cela provoque un fonctionnement continu du compresseur et contourne la régulation de température.
Température de la surface de congélation externe est chaud.	Les murs extérieurs du congélateur peuvent être autant que 30°F plus chaud que la température ambiante. Ceci est normal alors que le compresseur fonctionne pour transférer la chaleur

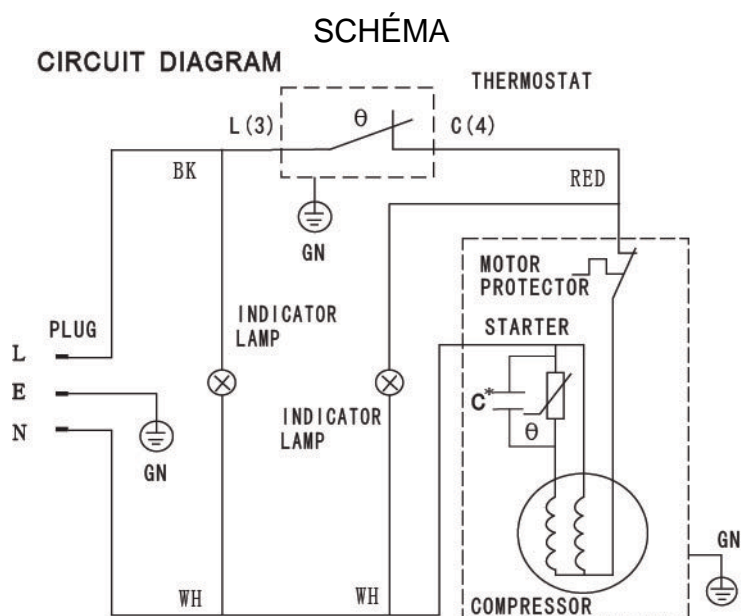
	à l'intérieur du congélateur.
Craquements lorsque le compresseur est allumé.	Les pièces métalliques subissent une dilatation et une contraction, comme dans les conduites d'eau chaude. C'est normal. Les bruits se stabilisent ou disparaissent alors que congélateur continue à fonctionner.
Bubbling ou gargouillement, comme l'eau bouillante.	Réfrigérant (utilisé pour congélateur cool) circule dans tout le système. C'est normal.
Vibrations.	Vérifier afin d'assurer que le congélateur est sur une surface plane. Le plancher est inégal ou faible. Congélateur rochers sur le sol quand il est déplacé légèrement. Veuillez plancher peut soutenir le congélateur. Niveau le congélateur en plaçant des cales bois ou en métal sous une partie du congélateur. Le congélateur touche le mur. Re-niveau le congélateur et le déplacer de la paroi. Voir "Instructions d'installation".
formes d'humidité sur les murs du congélateur à l'intérieur.	Le temps est chaud et humide, ce qui augmente le taux interne de l'accumulation de givre. C'est normal. La porte est entrouverte. La porte reste ouverte trop longtemps ou est ouverte trop fréquemment. Ouvrez la porte moins souvent. La porte est pas scellée correctement.
formes d'humidité sur l'extérieur du congélateur.	La porte est entrouverte, l'air froid à l'intérieur du congélateur pour répondre à air chaud et humide de l'extérieur.
La porte ne se ferme pas correctement.	Le congélateur se trouve pas sur une surface plane. Le joint est sale. Le panier de stockage est hors de position.

SERVICE POUR VOTRE APPAREIL

Nous sommes fiers de notre organisation de service à la clientèle et le réseau de techniciens de services professionnels qui offrent des services sur votre réfrigérateur Avanti - congélateur. Avec l'achat de votre réfrigérateur Avanti - congélateur, vous pouvez être sûr que si vous avez besoin d'informations ou de l'aide, l'équipe du service à la clientèle Avanti Products sera là pour vous. Appelez-nous sans frais.

AVANTI PRODUITS SERVICES CLIENTS

Information produit 800-323-5029	Quelles que soient vos questions sur nos produits, l'aide est disponible.
Les commandes de la pièce 800-220-5570	Vous pouvez commander des pièces et accessoires qui seront livrés directement à votre domicile en utilisant un chèque personnel, mandat, Master Card ou Visa.
In-Home Repair Service 800-220-5570	Un centre de service Avanti Products autorisé fournira un service de réparation expert, prévue à un moment qui vous convient. Nos services formés connaissent votre réfrigérateur-congélateur intérieur et l'extérieur.



C*: The capacitor is optional according to different compressor model

VOS PRODUITS AVANTI GARANTIE	Staple votre reçu de vente ici. Preuve de la date d'achat originale est nécessaire pour obtenir un service sous garantie.
<p>CE QUI EST COUVERT - GARANTIE LIMITÉE D'UN AN</p> <p>Avanti Products garantit que le produit est exempt de défauts de matériaux et / ou de fabrication pour une période de douze (12) mois à compter de la date d'achat par le propriétaire initial. La durée commence à courir à la date d'achat, et ne sera pas retardée, restreinte, prolongée ou suspendu pour quelque raison que ce soit, sauf si décrit en détail dans le document de garantie. Pendant un an à compter de la date d'achat par le propriétaire d'origine, les produits Avanti seront, à sa discrétion, réparer ou remplacer toute partie du produit qui se révèle être un défaut de matériau ou de fabrication dans une utilisation normale. Avanti Products vous fournira un produit raisonnablement semblable nouveau ou remis à neuf. Au cours de cette période Avanti Products fournira toutes les pièces et la main-d'œuvre nécessaires pour corriger ces défauts gratuitement, aussi longtemps que le produit a été installé et utilisé conformément aux instructions écrites dans ce manuel. En usage locatif ou commercial, la période de garantie est de 90 jours. Tous les appareils Avanti de 4,2 pieds cubes la capacité ou moins doivent être traduits / envoyé au centre de service de l'appareil pour la réparation.</p>	
<p>DEUXIÈME LIMITÉE À LA CINQUIÈME ANNÉE GARANTIE</p> <p>Pour la deuxième à la cinquième année à partir de la date d'achat originale, Avanti Products fournira un compresseur de remplacement gratuit en raison d'un échec. Vous êtes responsable de la main-d'œuvre et de fret de service. En usage locatif ou commercial, la garantie du compresseur est limitée à un an et neuf mois. Les coûts impliqués pour déplacer le produit au centre de service et de retour à la maison de l'utilisateur, comme peut-être nécessaire, sont à la charge de l'utilisateur.</p>	
<p>EXCLUSIONS DE LA GARANTIE / NON COUVERTS:</p> <p>La couverture de la garantie décrite ici exclut tous les défauts ou les dommages qui ne sont pas la faute directe de Avanti Products, y compris, sans limitation, un ou plusieurs des éléments suivants:</p>	
<ul style="list-style-type: none"> • Un non-respect de tout État applicable, local, ville, ou du comté électricité, plomberie et / ou des codes du bâtiment, des règlements ou des lois, y compris le défaut d'installer le produit en stricte conformité avec le feu et les codes du bâtiment et les règlements locaux. • Les forces externes, élémentaires et / ou l'environnement et les facteurs, y compris, sans s'y limiter, la pluie, le vent, le sable, les inondations, les incendies, les coulées de boue, des températures de congélation, l'humidité excessive ou à une exposition prolongée à l'humidité, la foudre, les surtensions, les défaillances structurelles entourant l'appareil, et les actes de Dieu. 	
<ul style="list-style-type: none"> • les pertes de contenu de la nourriture ou d'autres contenus en raison de la détérioration. • Les dommages accessoires ou consécutifs • Pièces et coûts de main-d'œuvre pour les éléments suivants ne seront pas considérés comme garantie: <ul style="list-style-type: none"> • portes évaporateurs, ressorts de la porte, et / ou des cadres. • panneaux intérieurs de portes, des étagères de porte, rails de porte, et / ou supports de porte. • Chest liners de couvercle du congélateur. • Les ampoules et / ou boîtier en plastique. • doublures d'armoires en plastique. • Punctured évaporateur annule la garantie sur le système scellé complet. 	<ul style="list-style-type: none"> • Les frais de transport et de manutention associés au remplacement de l'unité. • Les réparations effectuées par réparateurs non autorisés. • Les appels de service qui sont liés à des problèmes externes, tels que l'abus, l'alimentation électrique inadéquate, les accidents, les incendies, les inondations, ou tout autre acte de Dieu. • Une panne du produit si elle est utilisée pour autre chose que son intention but. • La garantie ne couvre pas en dehors de la Continental USA. • Surtaxes, y compris mais sans s'y limiter, toute après heure, les appels week-end, ou de services de vacances, les péages, les frais de voyage de convoyage ou les frais de kilométrage pour les appels de service dans les régions éloignées.
<p>En aucun cas, Avanti Products toute responsabilité ou responsabilité pour les dommages aux biens environnants, y compris les armoires, les planchers, les plafonds, et d'autres structures et / ou des objets autour du produit. Sont également exclus de cette garantie sont les égratignures, les entailles, les bosses mineures, et d'autres dommages esthétiques sur les surfaces externes et les parties exposées; Produits dont les numéros de série ont été modifiés, effacés ou supprimés; visites de service pour l'éducation à la clientèle, ou des visites où il n'y a rien de mal avec le produit; correction des problèmes d'installation (vous êtes seul responsable de toute structure et réglage pour le produit, y compris tous les systèmes électriques, de plomberie et / ou d'autres installations de raccordement, pour le bon plancher / fondation, et pour toute modification, y compris sans s'y limiter les armoires, les murs, les planchers, les étagères etc., ainsi que la remise à zéro des disjoncteurs ou fusibles.</p>	
<p>HORS DE LA GARANTIE DU PRODUIT</p> <p>Avanti Products est soumis à aucune obligation, en droit ou autrement, de vous fournir toutes les concessions, y compris les réparations, les pro-taux, ou le remplacement du produit, une fois la garantie expirée.</p>	

GARANTIE - REFRIGERATION - COMPRESSEUR

REGISTRATION INFORMATION

Thank you for purchasing this fine Avanti product. Please fill out this form and return it to the following address within 100 days from the date of purchase and receive these important benefits:

AVANTI PRODUCTS LLC
P.O.Box 520604 – Miami, Florida 33152

- **Protect your product:**
 We will keep the model number and date of purchase of your new Avanti product on file to help you refer to this information in the event of an insurance claim such as fire or theft.

- **Promote better products:**
 We value your input. Your responses will help us develop products designed to best meet your future needs.

------(detach here)-----

Avanti Registration Card

Name	Model #	Serial #
Address	Date Purchased	Store / Dealer Name
City State Zip	E-mail Address	
Area Code Phone Number	Occupation	
Did You Purchase An Additional Warranty <input type="checkbox"/> Extended <input type="checkbox"/> None	As your Primary Residence, Do You: <input type="checkbox"/> Own <input type="checkbox"/> Rent	
Reason for Choosing This Avanti Product: Please indicate the most important factors That influenced your decision to purchase this product:	Your Age: <input type="checkbox"/> under 18 <input type="checkbox"/> 18-25 <input type="checkbox"/> 26-30 <input type="checkbox"/> 31-35 <input type="checkbox"/> 36-50 <input type="checkbox"/> over 50	
<input type="checkbox"/> Price <input type="checkbox"/> Product Features <input type="checkbox"/> Avanti Reputation <input type="checkbox"/> Product Quality <input type="checkbox"/> Salesperson Recommendation <input type="checkbox"/> Other: _____ <input type="checkbox"/> Friend / Relative Recommendation <input type="checkbox"/> Warranty <input type="checkbox"/> Other: _____	<u>Marital Status:</u> <input type="checkbox"/> Married <input type="checkbox"/> Single	
Comments: <hr style="border: 0; border-top: 1px solid black; margin: 5px 0;"/> <hr style="border: 0; border-top: 1px solid black; margin: 5px 0;"/>	<u>Is This Product Used In The:</u> <input type="checkbox"/> Home <input type="checkbox"/> Business	
	<u>How Did You Learn About This Product:</u> <input type="checkbox"/> Advertising <input type="checkbox"/> In-Store Demo <input type="checkbox"/> Personal Demo	

**CF35B0W/CF35B2P/CF50B0W/CF70B0W
COMBO - 05172016**

PRINTED IN CHINA