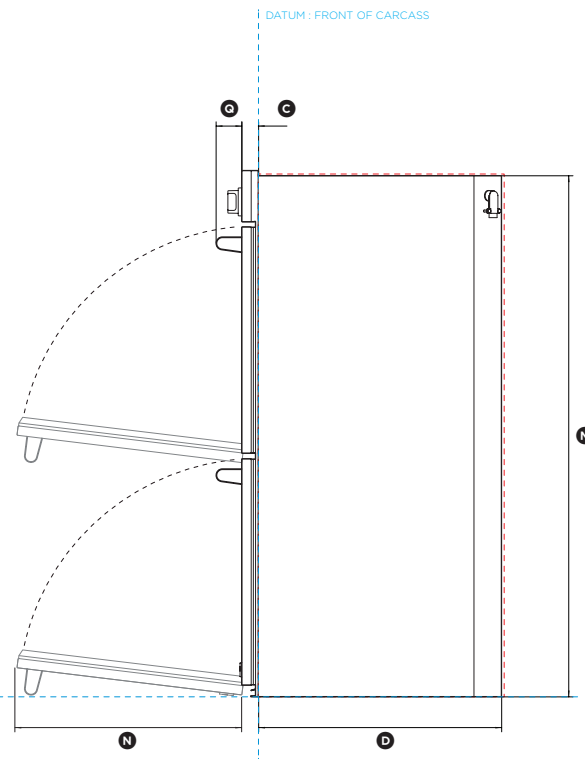
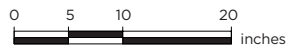
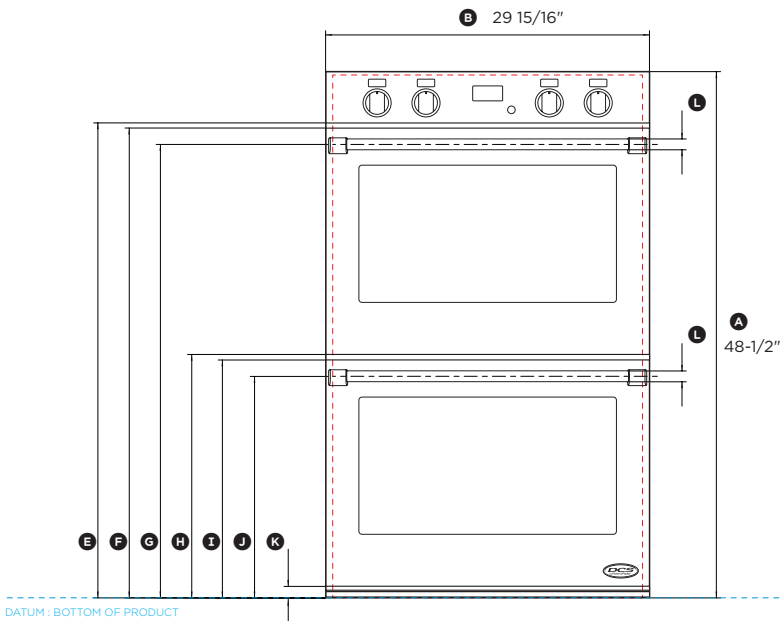
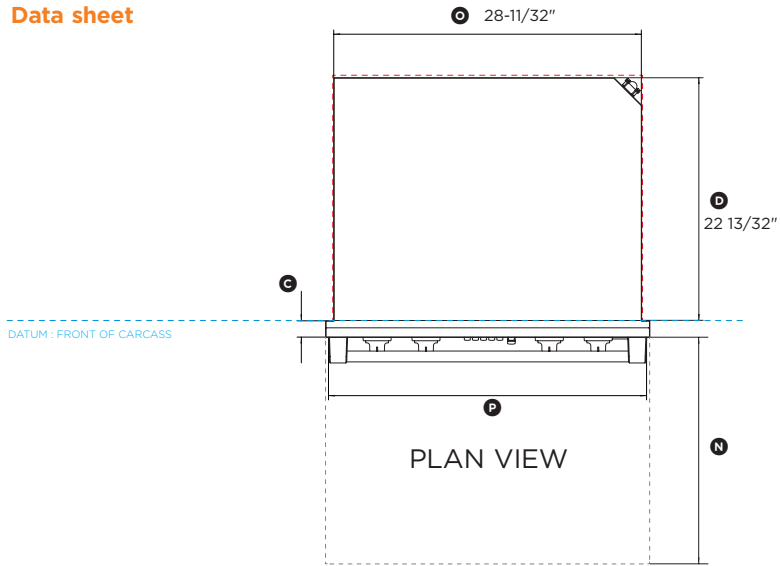


Data sheet



30" Double Wall Oven

Model no:

WODV-30 (refer page 2 for metric measurements)

Product Dimensions	in
Ⓐ Overall height of oven	48 1/2"
Ⓑ Overall width of oven	29 29/32"
Ⓒ Depth of oven front and control panel (excludes handle and dials)	1 17/32"
Ⓓ Depth of oven chassis (does not include oven front)	22 13/32"
Ⓔ Height from bottom datum to bottom of control panel	43 25/32"
Ⓕ Height from bottom datum to top of top door	43 5/16"
Ⓖ Height from bottom datum to centre of top handle	41 25/32"
Ⓗ Height from bottom datum to bottom of top door	22 7/16"
Ⓘ Height from bottom datum to top of bottom door	21 15/16"
Ⓚ Height from bottom datum to centre of bottom handle	20 13/32"
Ⓛ Height from bottom datum to top of vent	1 1/16"
Ⓜ Thickness of handle (not including standoffs)	1"
Ⓝ Height of chassis	47 15/16"
Ⓟ Depth of door (open) (measured from front of door)	20 7/8"
Ⓒ Overall width of chassis	28 11/32"
Ⓓ Width of handle (including standoffs)	29 9/32"
Ⓔ Depth of handle (measured from front of door)	1 21/32"

Minimum Clearances	in
Minimum inside height of cavity from bottom datum	48 3/16"
Minimum inside width of cavity	28 1/2"
Minimum inside depth of cavity from front datum	22 5/8"

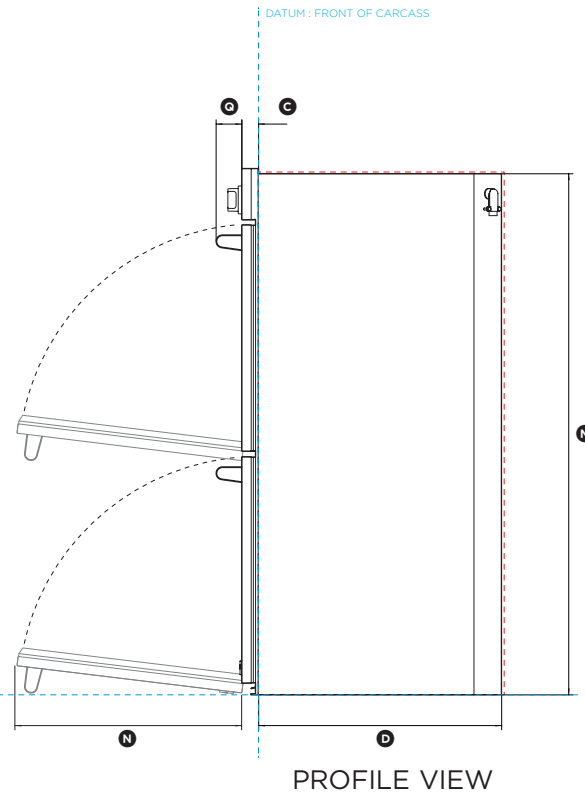
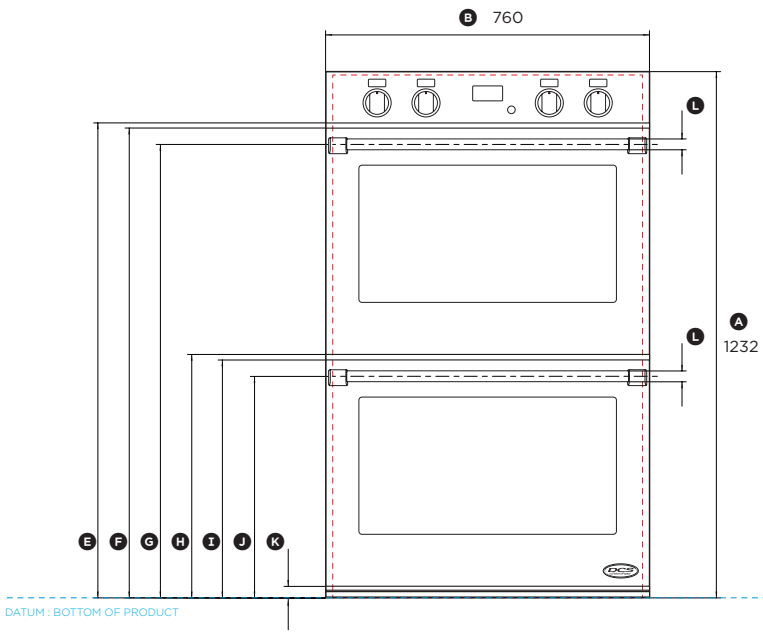
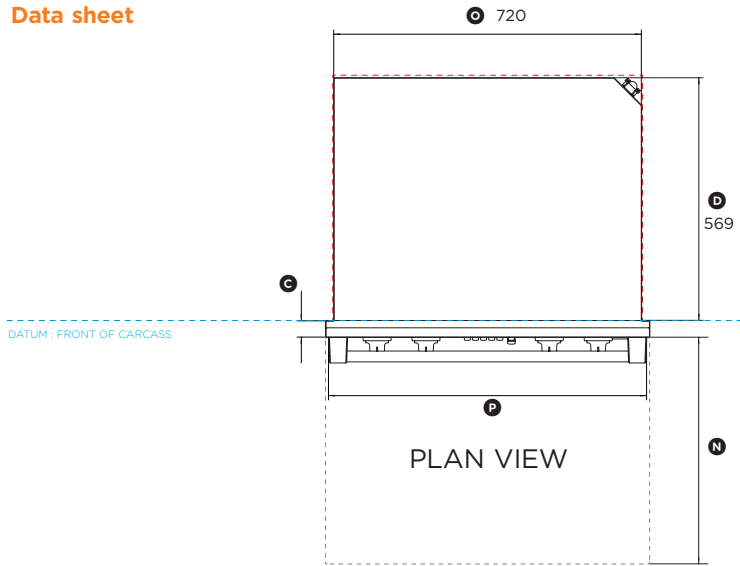
INDICATES PRODUCT DATUM
 INDICATES CLEARANCES

DATE: 27.07.2015

IMPORTANT NOTE: Throughout this guide, dimensions may vary by ±2mm (3/32"). Please read the installation manual for detailed information on installing the product or visit dcsappliances.com.



Data sheet



30" Double Wall Oven

Model no:

WODV-30 (refer page 1 for imperial measurements)

Product Dimensions	mm
Ⓐ Overall height of oven	1232
Ⓑ Overall width of oven	760
Ⓒ Depth of oven front and control panel (excludes handle and dials)	39
Ⓓ Depth of oven chassis (does not include oven front)	569
Ⓔ Height from bottom datum to bottom of control panel	1112
Ⓕ Height from bottom datum to top of top door	1100
Ⓖ Height from bottom datum to centre of top handle	1062
Ⓗ Height from bottom datum to bottom of top door	570
Ⓘ Height from bottom datum to top of bottom door	557
Ⓚ Height from bottom datum to centre of bottom handle	519
Ⓛ Height from bottom datum to top of vent	27
Ⓜ Thickness of handle (not including standoffs)	25
Ⓝ Height of chassis	1218
Ⓟ Depth of door (open) (measured from front of door)	530
Ⓞ Overall width of chassis	720
Ⓠ Width of handle (including standoffs)	744
Ⓡ Depth of handle (measured from front of door)	60

Minimum Clearances	mm
Minimum inside height of cavity from bottom datum	1224
Minimum inside width of cavity	724
Minimum inside depth of cavity from front datum	575

INDICATES PRODUCT DATUM
 INDICATES CLEARANCES

DATE: 27.07.2015

IMPORTANT NOTE: Throughout this guide, dimensions may vary by ±2mm (3/32"). Please read the installation manual for detailed information on installing the product or visit dcsappliances.com.

