

INSTALLATION INSTRUCTIONS

Wall Oven

WOSU30/WOSV30 and
WODU30/WODV30 models

US CA



⚠ WARNING!



Electrical shock hazard

Before carrying out any work on the electrical section of the appliance, it must be disconnected from the mains electricity supply.

Connection to a good earth wiring system is absolutely essential and mandatory.

Alterations to the domestic wiring system must only be made by a qualified electrician.

Failure to follow this advice may result in electrical shock or death.

⚠ WARNING!



Fire hazard

Do not use adapters, reducers, or branching devices to connect this appliance to the mains power supply.

Failure to follow this advice may result in overheating, burning, or fire.

⚠ WARNING!



Cut hazard

Take care - some panel edges are sharp.

Failure to use caution could result in injury or cuts.

⚠ WARNING!

DOUBLE
oven
models



409 lb
186 kg

Very Heavy

Do not attempt to lift this product unassisted.

SINGLE
oven
models



242 lb
110 kg

Lifting unassisted may cause serious injury.

IMPORTANT SAFETY INSTRUCTIONS!

- Save these instructions for the local inspectors' use.
- To avoid hazard, follow these instructions carefully before installing or using this appliance.
- Please make this information available to the person installing the appliance - doing so could reduce your installation costs.
- This oven is to be installed and connected to the electricity supply only by an authorized person.
- If the installation requires alterations to the domestic electrical system, call a qualified electrician. The electrician should also check that the socket cable section is suitable for the electricity drawn by the oven.
- The oven must be grounded.
- To connect the oven to the mains, do not use adapters, reducers or branching devices as they can cause overheating and burning.
- Installation must comply with your local building and electricity regulations.
- Failure to install the oven correctly could invalidate any warranty or liability claims.
- This appliance must be installed and connected to the mains power supply only by a suitably qualified person according to these installation instructions and in compliance with any applicable local building and electricity regulations. Failure to install the appliance correctly could invalidate any warranty or liability claims.
- If the power supply cable is damaged, it must be replaced by the manufacturer, its service agent or similarly qualified person in order to avoid a hazard.
- Isolating switch: make sure this oven is connected to a circuit which incorporates an isolating switch providing full disconnection from the power supply in accordance with the wiring rules.
- The oven must be earthed.
- Do not use adapters, reducers or branching devices to connect the oven to the mains electricity supply, as they can cause overheating and burning.

Electrical requirements

- Connect oven with copper wire only.
- Do not cut the conduit.
- A U.L. listed conduit connector must be provided at the junction box.
- Do not ground to a gas pipe.
- Do not have a fuse in the grounding or neutral circuit.
- Fuse both sides of the line.
- A time delay fuse or circuit breaker is recommended. If using a time delay fuse, then fuse both sides of the line.
- Flexible armored cable from the appliance should be connected directly to the junction box.
- Connect directly to the fused disconnect (or circuit breaker box) through flexible, armored or non-metallic sheathed, copper cable (with grounding wire).
- If codes permit and a separate grounding wire is used, it is recommended that a qualified electrician determine that the grounding path and wire gauge are in accordance with local codes.

② PRIOR TO INSTALLATION

- the countertop and oven cavity are square and level, and are the required dimensions.
- the installation will comply with all clearance requirements and applicable standards and regulations.
- the isolating switch will be easily accessible to the customer with the oven installed.
- the electrician provides sufficient free length of power supply cable to reach from the bottom rear of the cavity to at least 1.5 metres in front of the bottom edge of the opening. The cable may enter the cavity from the side, top or bottom, but top entry must be at the rear of the cavity.
- the oven connection socket (if fitted) is outside the cavity if the oven is flush to the rear wall.
- the oven will rest on a surface that can support its weight.
- the height from the floor suits the customer.
- you consult local building authorities and by-laws if in doubt regarding installation.

Important!

Some environmental factors and cooking habits can cause condensation in and around the oven during use. To protect surrounding cabinetry from possible damage caused by frequent or excessive condensation, we recommend moisture-proofing the oven cavity.

③ AFTER INSTALLATION

Important!

Please take extra care not to damage the lower trim of the oven during installation. The trim is important for correct air circulation and allows the door to open and close without obstruction. The manufacturer does not accept any responsibility for damage resulting from incorrect installation.

- the oven door(s) can open fully without obstruction.
- Do not seal the oven into the cabinetry with silicone or glue. This makes future servicing difficult. Fisher & Paykel will not cover the costs of removing the oven, or of damage caused by this removal.
- the power supply cable does not touch any hot metal parts.
- the isolating switch is easily accessible to the customer with the oven installed.
- you complete the 'Final checklist' at the end of the installation.
- If, after following the instructions given, correct performance cannot be achieved, please contact your nearest Fisher & Paykel Authorised Service Centre, Customer Care, or contact us through our local website listed at the end of this document.

④ PARTS SUPPLIED



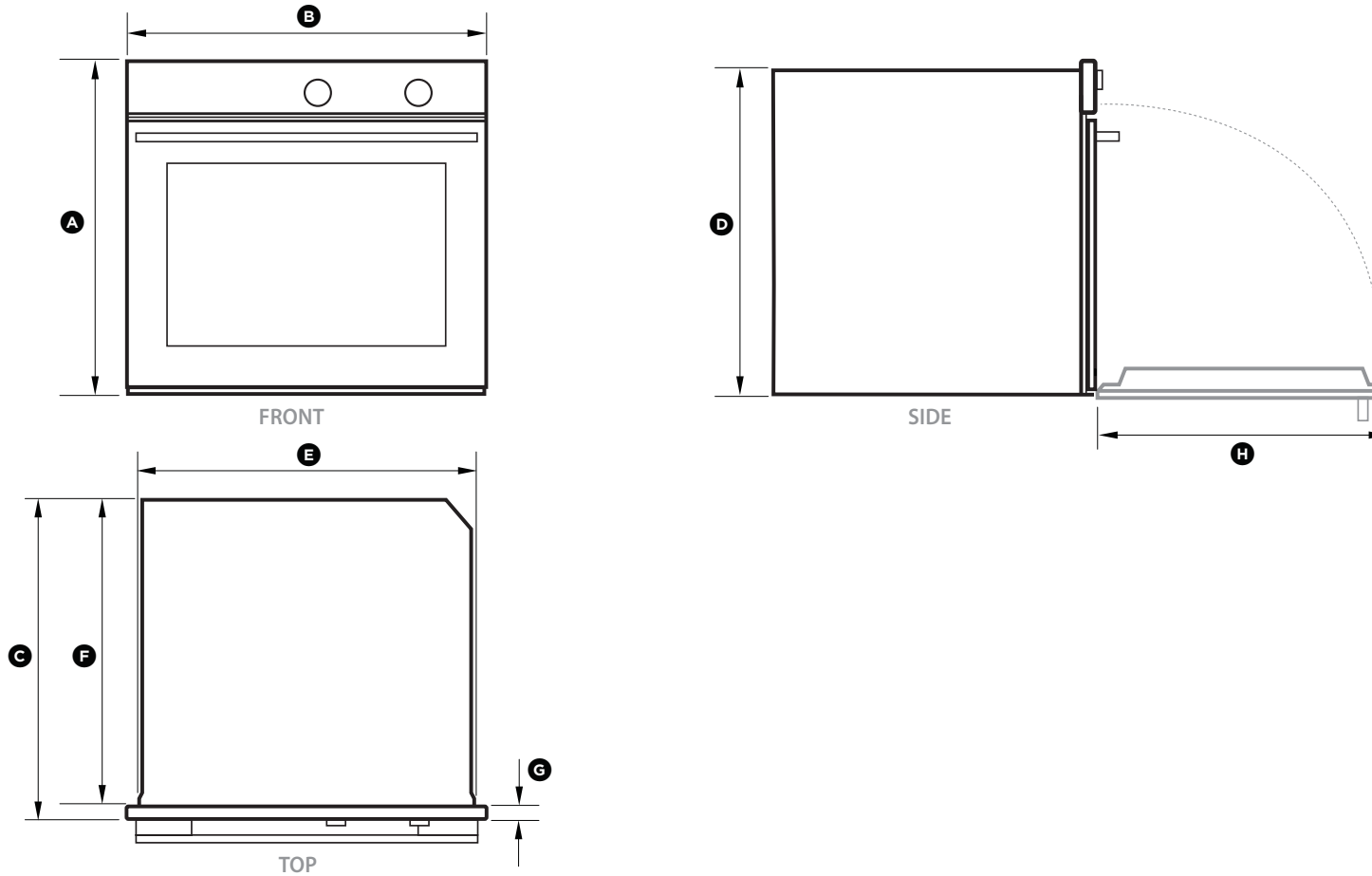
Screws

(2) for OB30SD
(4) for OB30DD

Spacers

(2) for OB30SD
(4) for OB30DD

5) PRODUCT DIMENSIONS - SINGLE OVENS

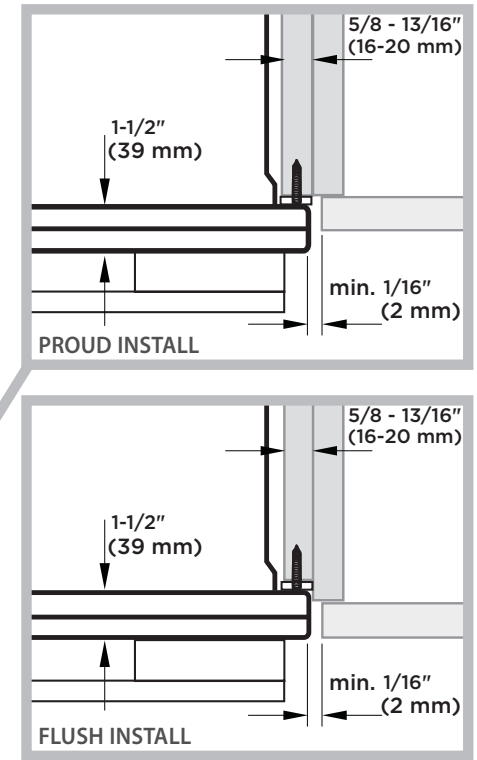
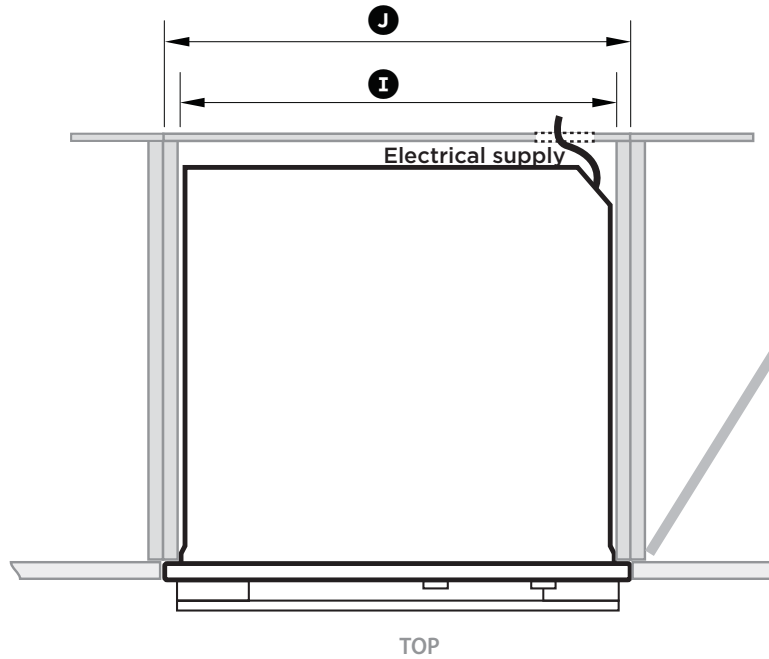
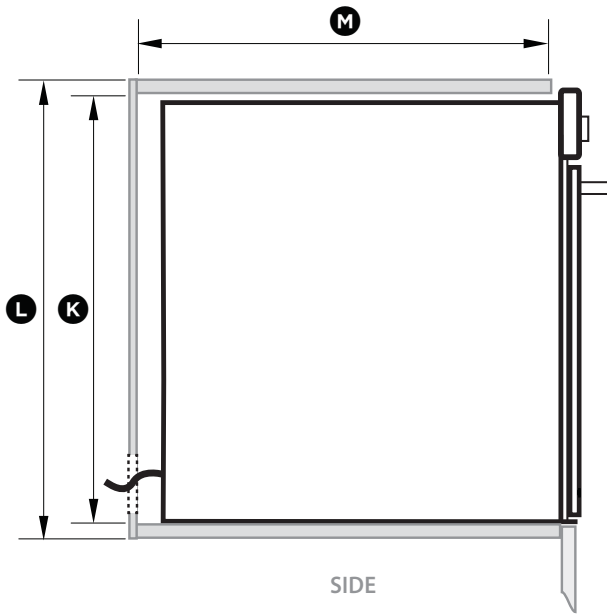


Product dimensions inches (mm)

WOSU30
WOSV30

A	overall height of product	28 1/8" (689)
B	overall width of product	29 15/16" (760)
C	overall depth of product (excluding handle and dials)	23 15/16" (608)
D	height of chassis	26 9/16" (675)
E	width of chassis	28 5/16" (720)
F	depth of chassis	22 3/8" (569)
G	depth of oven frame and control panel (=distance between front of chassis and front of oven door, excl. knobs)	1 1/2" (39)
H	depth of oven door when fully open (measured from front of control panel)	20 7/8" (530)

5 CABINTRY DIMENSIONS - SINGLE OVENS



Important!

Make sure the cavity is completely sealed with no gaps. This is to ensure the oven cooling system functions correctly.

Important!

FLUSH INSTALLATION
The depth of the control panel (G) is larger than conventional ovens. Ensure you have created a 1 1/2" (38 mm) recess in cabinetry.

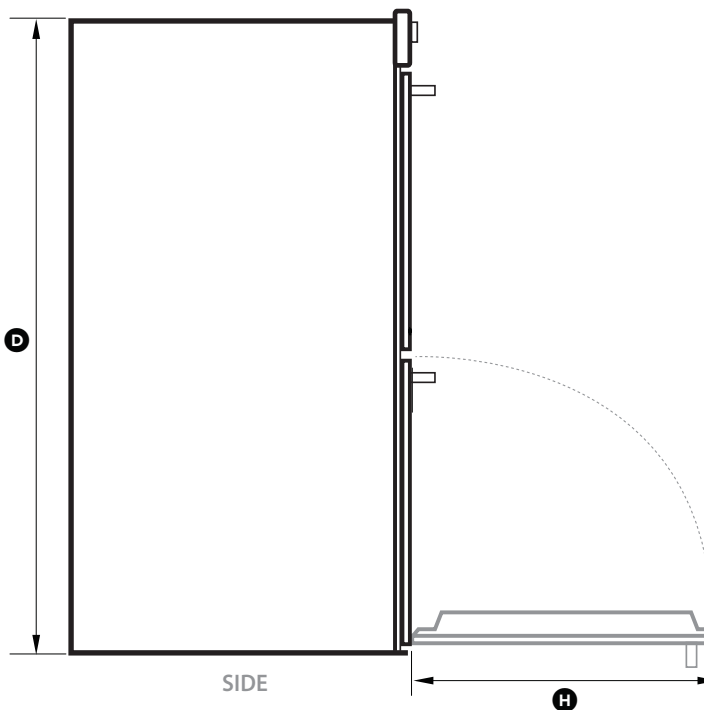
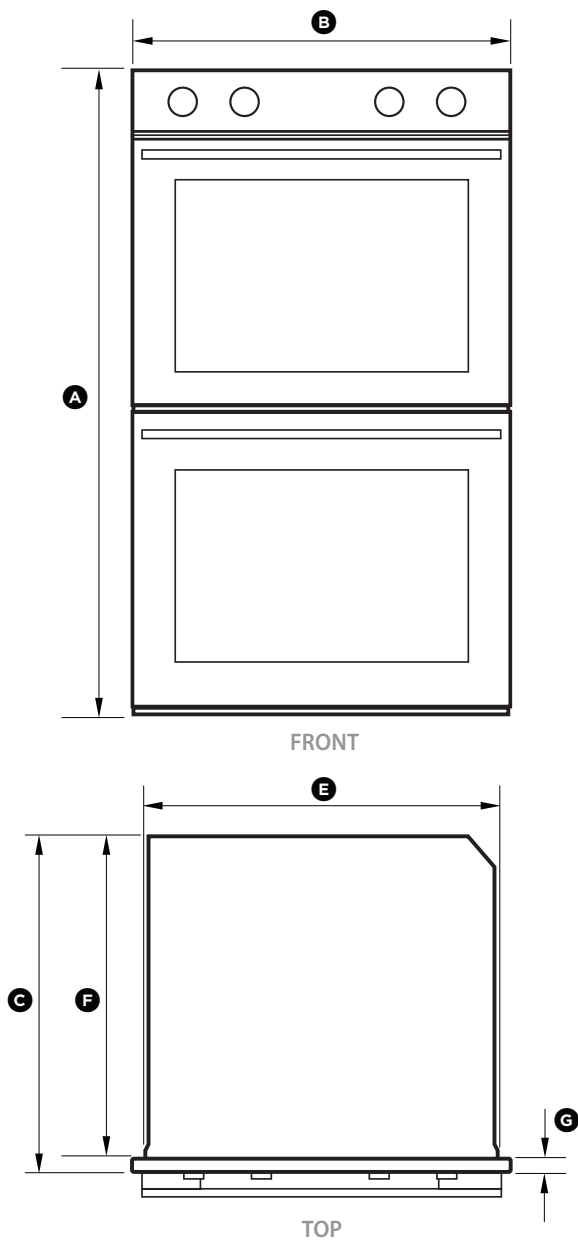
If flush installing, you need to replace the lower trim with the supplied long trim at the base of the oven. Refer to Step 11 for instructions.

Cabinetry dimensions inches (mm)

	WOSU30 WOSV30
I	minimum inside width of cavity 28 1/2" (724)
J	overall width of cabinetry 30 1/8" (764)
K	minimum inside height of cavity 26 13/16" (681)
L	overall height of cabinetry 27 3/8" (693)
M	minimum inside depth of cavity 22 5/8" (575)

Note: If installing a cooktop above the oven, ensure adequate clearance is provided for the cooktop as per the cooktop manufacturer's instructions.

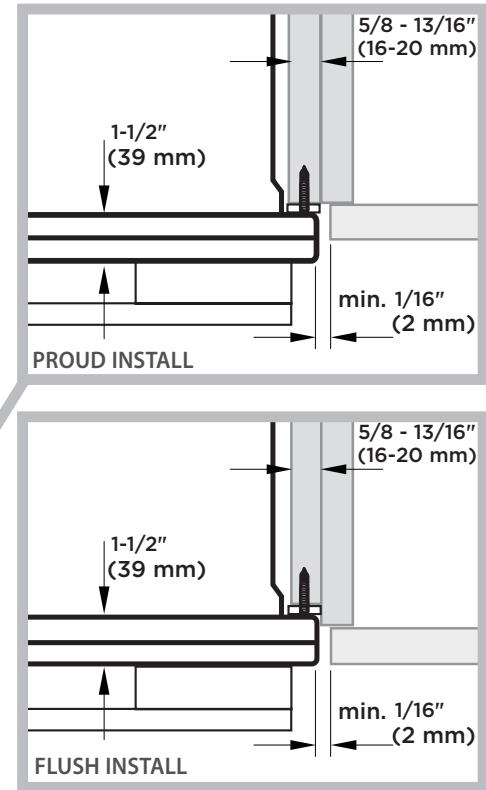
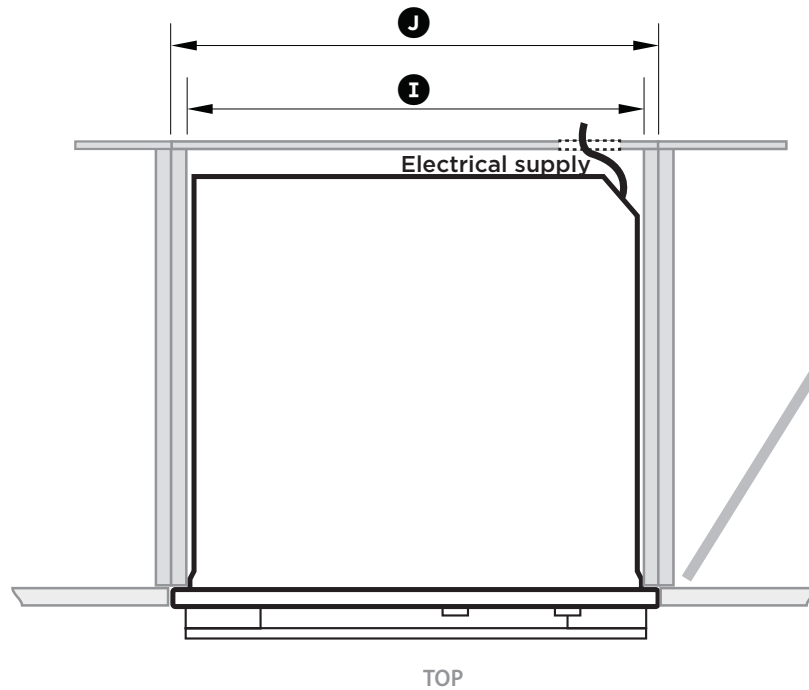
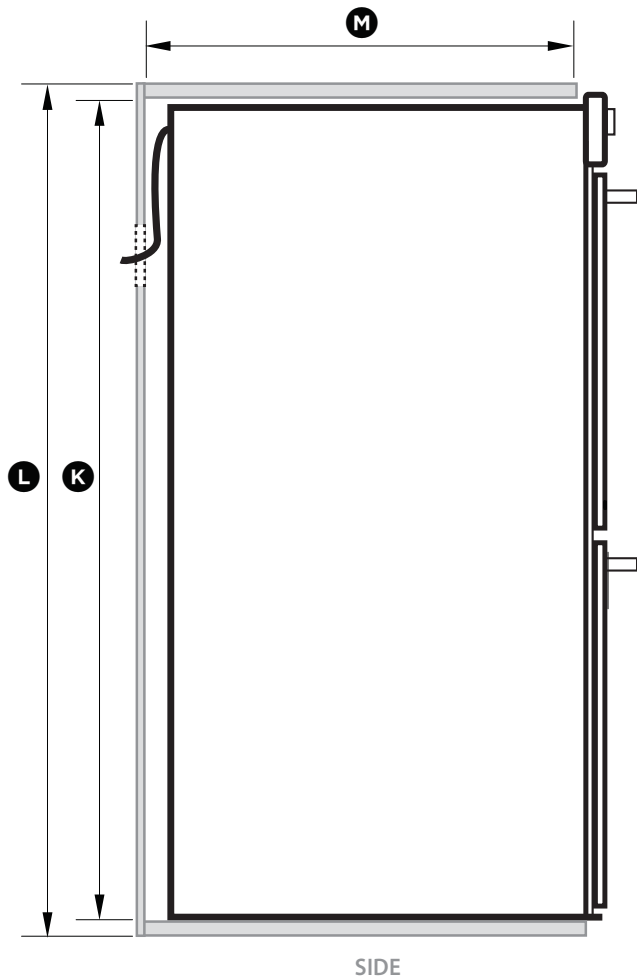
5) PRODUCT DIMENSIONS - DOUBLE OVENS



Product dimensions inches (mm)

		MODU30 MODV30
A	overall height of product	48 1/2" (1232)
B	overall width of product	29 15/16" (760)
C	overall depth of product (excluding handle and dials)	23 15/16" (608)
D	height of chassis	47 15/16" (1218)
E	width of chassis	28 5/16" (720)
F	depth of chassis	22 3/8" (569)
G	depth of oven frame and control panel (=distance between front of chassis and front of oven door, excl. knobs)	1 1/2" (39)
H	depth of oven door when fully open (measured from front of control panel)	20 7/8" (530)

5 CABINETRY DIMENSIONS - DOUBLE OVENS



Important!

Make sure the cavity is completely sealed with no gaps. This is to ensure the oven cooling system functions correctly.

Important!

FLUSH INSTALLATION
The depth of the control panel (G) is larger than conventional ovens. Ensure you have created a 1 1/2" (38 mm) recess in cabinetry.

If flush installing, you need to replace the lower trim with the supplied long trim at the base of the oven. Refer to Step 11 for instructions.

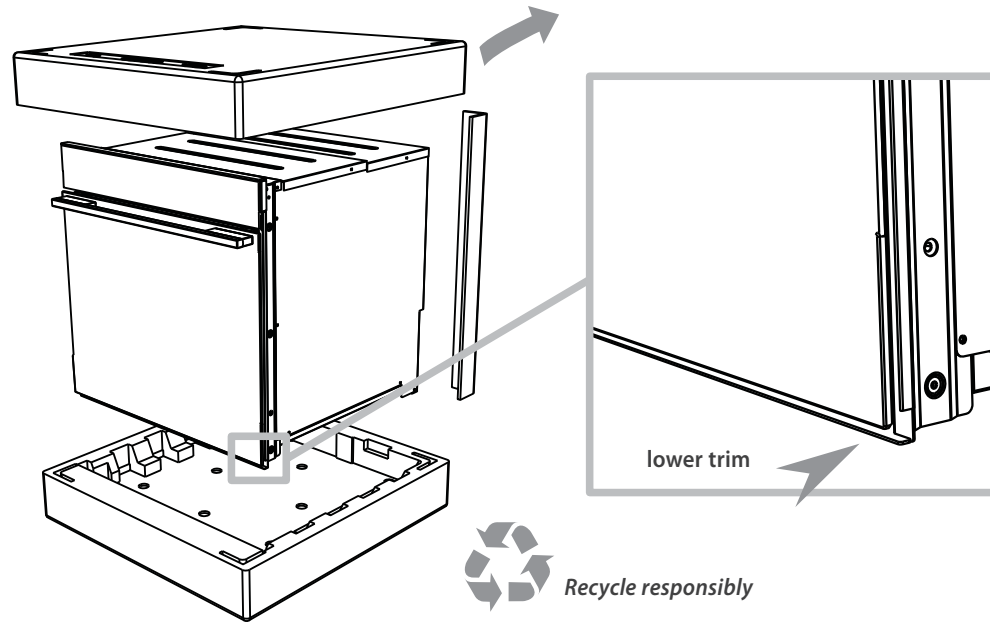
Cabinetry dimensions inches (mm)


WODU30
WODV30

I	minimum inside width of cavity	28 1/2" (724)
J	overall width of cabinetry	30 1/8" (764)
K	minimum inside height of cavity	48 3/16" (1224)
L	overall height of cabinetry	48 11/16" (1236)
M	minimum inside depth of cavity	22 5/8" (575)

⑥ DISCARD PACKAGING RESPONSIBLY

Single model shown for illustration purposes only



 Recycle responsibly

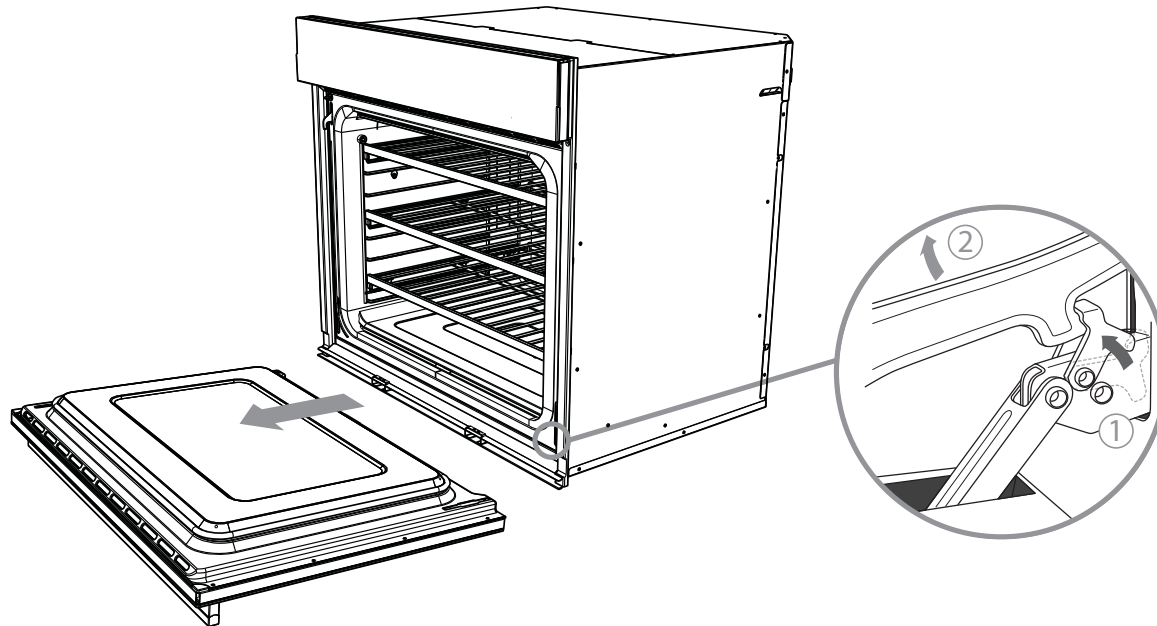


Important!

When you remove the oven from the carton be careful not to damage the lower trim. The trim is important for both ventilation and to ensure the door opens fully without obstruction.

Make sure you remove the Long Trim from the packaging.

⑦ REMOVE THE DOOR(S)



Important!

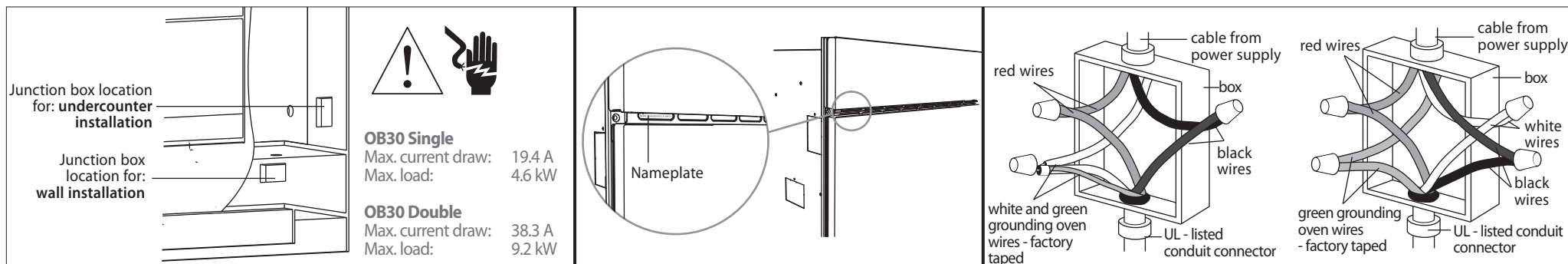
Do not lift the oven by the door handle.

- 1 Hook the door swivel retainers onto the metal bar above them.
- 2 Lift the oven door slightly to disengage the hinge.
- 3 Pull the door forward off the appliance and lie it on a flat surface.

Double oven models only:

Remove both doors.

8 ELECTRICAL CONNECTION TO JUNCTION BOX



- 1 Disconnect the power supply.
- 2 Remove the junction box cover.
- 3 Connect the oven cable to the junction box through the U.L.-listed conduit connector.
- 4 Connect the two black wires together with twist-on connectors.
- 5 Connect the two red wires together with twist-on connectors.
- 6 Connect electrical connection according to local codes and ordinances.

If local codes permit connecting the cabinet-grounding conductor to the neutral white wire in the junction box:

- 7a Connect the factory-taped green and white oven cable wires to the neutral (white) wire in the junction box.
- 8a Replace the junction box cover.

OR If local codes DO NOT PERMIT connecting the cabinet-grounding conductor to the neutral (white) wire in junction box:

- 7b Separate the factory-taped green and white oven cable wires.
- 8b Connect the white oven cable wire to the neutral (white) wire in junction box.
- 9b Connect the green grounding oven cable wire to a grounded wire in the junction box.
- 10b Replace the junction box cover.

OR If connecting to a four-wire electrical system:

- 7c Separate the green and white oven cable wires.
- 8c Connect the white oven cable wire to the neutral (white) wire in junction box.
- 9c Connect the green grounding oven cable wire to the (green) grounding wire in the junction box.
- Do not connect the green grounding wire to the neutral (white) wire in junction box.
- 10c Replace the junction box cover.

9 SECURE THE OVEN TO THE CABINETRY

- 1 Position the oven in the prepared cavity.

Important!

Do not lift the oven by the door handle.

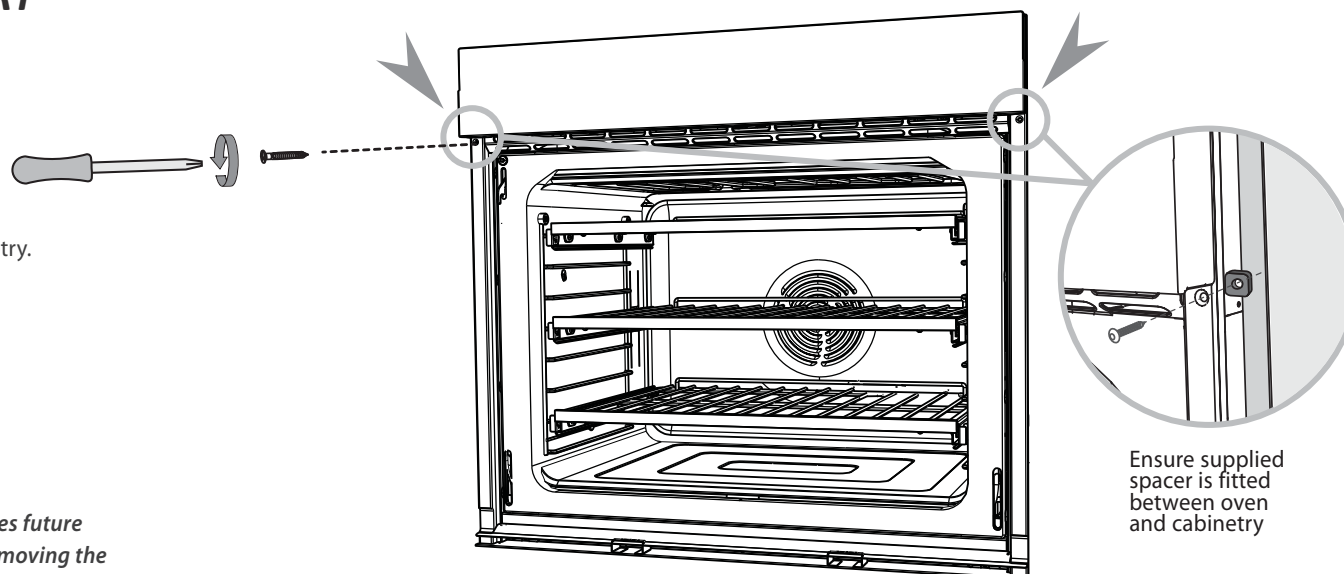
- 2 Use the supplied screws and spacers to secure the oven to the cabinetry.

Double oven models only:

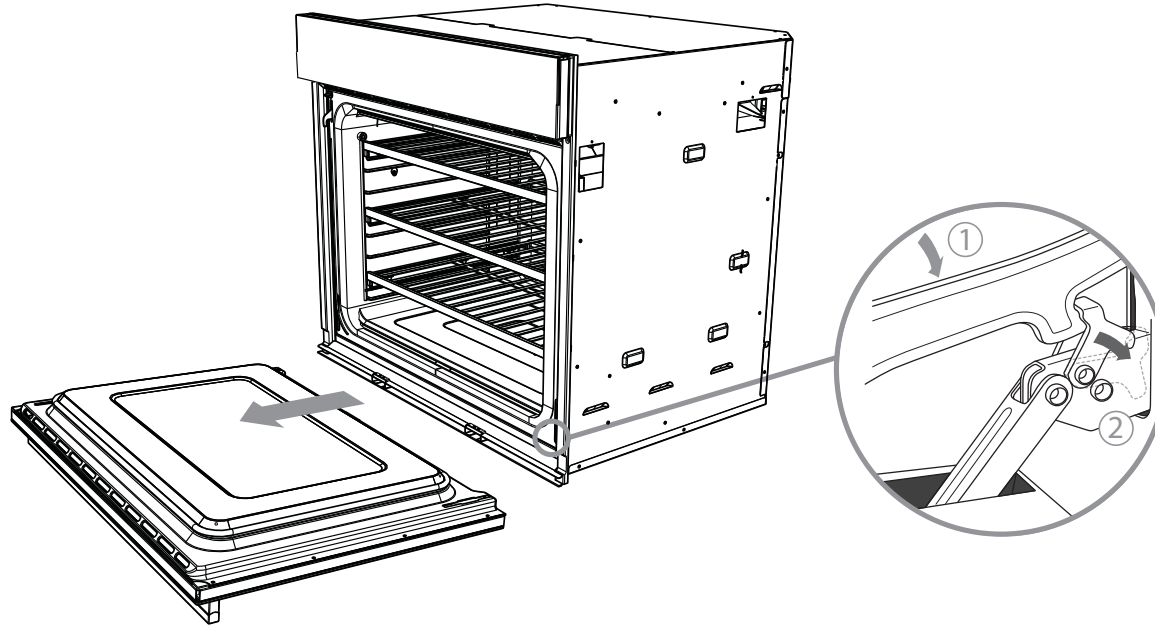
There are 4 screws and spacers provided (two per side).

Important!

- Do not over-tighten the screws.
- Take care not to damage the lower trim of the oven.
- Do not seal the oven into the cabinetry with silicone or glue. This makes future servicing difficult. DCS by Fisher & Paykel will not cover the costs of removing the oven, or of damage caused by this removal.



10 REFIT THE DOOR(S)



Important!

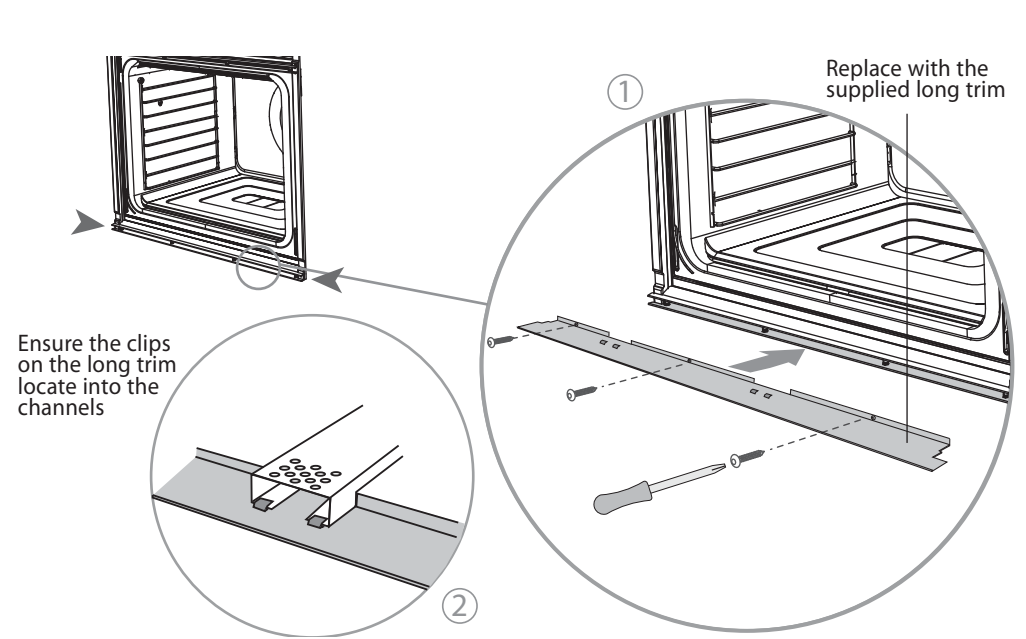
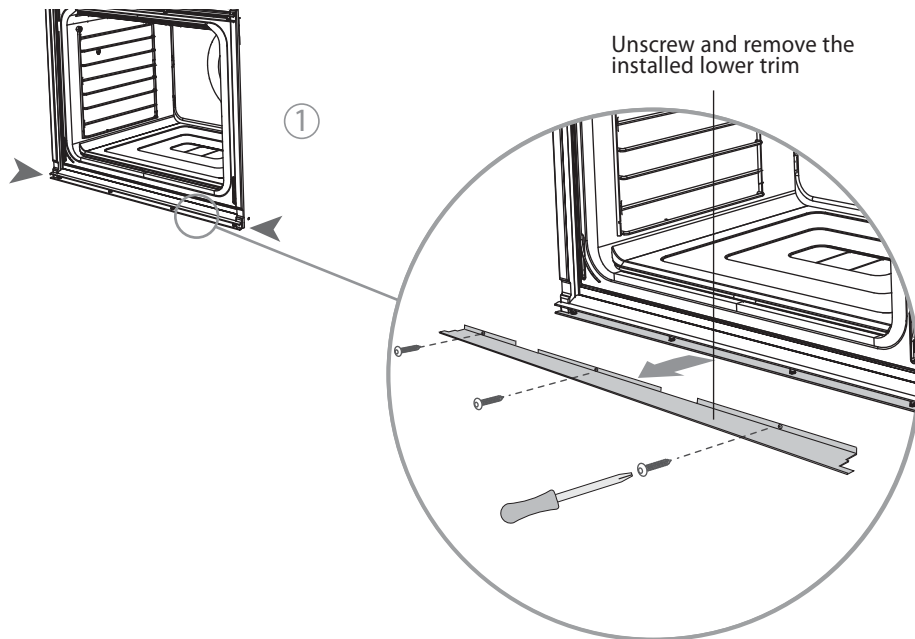
Do not lift the oven by the door handle.

1 Refit the door following the sequence in Step 7 in reverse order.

Double oven models only:

Refit both doors.

11 FLUSH INSTALLATION ONLY - REPLACE THE LOWER TRIM WITH THE SUPPLIED LONG TRIM



12 FINAL CHECKLIST

✓ TO BE COMPLETED BY THE INSTALLER

- Make sure the oven is level and securely fitted to the cabinetry.
- Check the lower trim is undamaged.
- Open the (lower) oven door slowly until it is fully open and check there is adequate clearance between the bottom of the door and the lower trim. This is to ensure correct air circulation. Should the lower trim become damaged, straighten the trim and ensure the oven door opens fully without obstruction.
- Make sure any cable ties and internal packaging has been removed from the oven cavity.
- Make sure all oven vents and openings are clear and free of any obstruction or damage.

Important!

Failure to make sure all oven vents are clear may result in poor product performance.

- Make sure the isolating switch is accessible by the customer.

TEST OPERATION:

- Turn the power to the oven on. The display should light up and show 24:00. Set the clock following the instructions in the 'Quickstart Guide'.
- Turn the oven function to 'Bake'. Inside the oven cavity, the oven light should come on. Air should blow out of the vent at the top of the oven. Have you demonstrated the basic operation to the customer?
- Turn the temperature to 120°F / 50 °C. The temperature indicator should come on. After five minutes, open the oven door: the air inside should feel warm. Turn the oven function dial back to OFF.

Installer's name:

Installer's signature:

Installation company:

Date of installation:

LEAVE THESE INSTRUCTIONS WITH THE CUSTOMER

Important! **SAVE THESE INSTRUCTIONS**

The models shown in this document may not be available in all markets and are subject to change at any time. For current details about model and specification availability in your country, please visit our local website listed at the end of this document or contact your local DCS by Fisher & Paykel dealer.

INSTRUCTIONS D'INSTALLATION

Four Encastré

Modèles WOSU30/WOSV30
et WODU30/WODV30

US CA



⚠ MISE EN GARDE!



Risque de chocs électriques

Avant d'effectuer des travaux sur la partie électrique de l'appareil, il doit être débranché de l'alimentation secteur de l'électricité.

Connexion à un bon système de câblage de la terre est absolument essentiel et obligatoire.

Les modifications apportées au système de câblage domestique ne doivent être effectués par un électricien qualifié.

Le non respect de ces conseils peut entraîner un choc électrique ou la mort.

⚠ MISE EN GARDE!



Risque d'incendie

N'utilisez pas d'adaptateurs, réducteurs, ou des dispositifs de branchement pour brancher cet appareil à l'alimentation secteur.

Le non respect de ces conseils peut entraîner une surchauffe, des brûlures ou un incendie.

⚠ MISE EN GARDE!



Risque de coupure

Attention, le bord des panneaux est tranchant.

Le non respect de ces instructions peut causer des blessures ou des coupures.

⚠ MISE EN GARDE!

MODÈLES
DE FOUR
DOUBLES



409 lb
186 kg

Très lourd

Ne tentez pas de soulever cet appareil seul.

MODÈLES
DE FOUR
SIMPLES



242 lb
110 kg

Vous pourriez vous blesser gravement.

CONSIGNES DE SÉCURITÉ IMPORTANTES!

- Conservez ces instructions afin de pouvoir les mettre à la disposition de l'inspecteur local.
 - pour éviter les dangers, observez minutieusement ces instructions avant d'installer ou d'utiliser l'appareil.
 - veuillez mettre ces renseignements à la disposition de l'installateur afin d'éviter des coûts d'installation exorbitants.
 - Ce four doit être installé et raccordé aux installations électriques par un personnel qualifié seulement.
 - Si l'installation exige la modification du système électrique de votre résidence, faites appel à un électricien qualifié. L'électricien doit également s'assurer que le connecteur de câble convient à la puissance électrique du four.
 - Le four doit être mis à la terre.
 - pour raccorder le four au circuit principal, n'utilisez aucun adaptateur, aucun réducteur ni aucun dispositif de branchement; ces appareils peuvent surchauffer et provoquer un incendie.
 - L'installation doit être conforme aux codes du bâtiment et de l'électricité de votre région.
 - Le défaut d'installer adéquatement ce four peut annuler la garantie et toute réclamation de responsabilité.
 - Cet appareil doit être installé et connecté à l'alimentation secteur que par une personne qualifiée conformément à ces instructions d'installation et dans le respect des réglementations locales applicables en matière de construction et d'électricité. Ne pas installer l'appareil correctement pourrait invalider toutes les réclamations de garantie ou de responsabilité.
 - Si le câble d'alimentation est endommagé, il doit être remplacé par le fabricant, son agent de service ou une personne de qualification similaire afin d'éviter un danger.
 - Sectionneur: assurez-vous que le four est connecté à un circuit qui comprend un sectionneur fournissant une coupure complète de l'alimentation en conformité avec les règles de câblage.
 - Le four doit être mis à la terre.
 - N'utilisez pas d'adaptateurs, réducteurs ou des dispositifs de branchement pour relier le four au réseau électrique, car ils peuvent provoquer une surchauffe et de brûlure.
- Exigences électriques
- Utilisez uniquement des conducteurs en cuivre.
 - Ne coupez pas le conduit.
 - Un connecteur homologué UL doit être installé dans la boîte de jonction.
 - Ne branchez pas le fil de mise à la terre à une conduite de gaz.
 - N'installez aucun fusible au conducteur de mise à la terre ni au circuit neutre.
 - Protégez les deux phases de l'alimentation par un fusible.
 - Un fusible à fusion lente ou un disjoncteur est recommandé. Si vous utilisez un fusible à fusion lente, installez un fusible aux deux phases.
 - Le câble à armature flexible doit être raccordé directement à la boîte de jonction.
 - Raccordez-le directement au circuit à fusible (ou au boîtier de disjoncteurs) au moyen d'un conducteur en cuivre à armature flexible ou gainé (avec fil de mise à la terre).
 - Si le code le permet et qu'un fil de mise à la terre distinct est utilisé, il est recommandé de faire appel à un électricien qualifié qui déterminera si la course de la mise à la terre et le calibre de fil répondent aux codes locaux.
 - N'utilisez aucune rallonge avec cet appareil.

② AVANT L'INSTALLATION

- le comptoir et la cavité du four sont d'aplomb et de niveau, et sont de la dimension prescrite.
- l'installation sera conforme à toutes les exigences de dédouanement et les normes et règlements en vigueur.
- le sectionneur sera facilement accessible au client avec le four installé.
- l'électricien fournit longueur libre suffisante de câble d'alimentation pour atteindre de l'arrière fond de la cavité à au moins 1,5 mètres en avant du bord inférieur de l'ouverture. Le câble peut entrer dans la cavité du côté, en haut ou en bas, mais en haut entrée doit être à l'arrière de la cavité.
- la prise de raccordement du four (le cas échéant) est en dehors de la cavité si le four est au ras de la paroi arrière.
- le four reposera sur une surface de niveau capable de supporter le poids de l'appareil.
- la hauteur depuis le plancher est adaptée à l'utilisateur.
- consulter les autorités locales de construction et les règlements en cas de doute concernant l'installation.

Important!

Certains facteurs environnementaux et les habitudes de cuisson peuvent provoquer de la condensation à l'intérieur et autour du four pendant l'utilisation. Pour protéger les armoires entourant d'éventuels dommages provoqués par la condensation fréquente ou excessive, nous vous recommandons étanche à l'humidité de la cavité du four.

③ APRÈS L'INSTALLATION

Important!

S'il vous plaît prendre soin de ne pas endommager la garniture inférieure du four lors de l'installation. La garniture est important pour la circulation de l'air correcte et permet à la porte pour ouvrir et fermer sans obstruction. Le fabricant décline toute responsabilité pour les dommages résultant d'une mauvaise installation.

- la porte du four peut s'ouvrir entièrement sans obstruction.
- N'appliquez aucune silicone ni colle pour sceller le four dans le module. Cette façon de faire rendrait difficile l'exécution de services d'entretien. Fisher & Paykel ne couvre pas les coûts de dépose du four ni les dommages causés par le retrait du four du module.
- le câble d'alimentation ne touche pas toutes les pièces métalliques chaudes.
- le sectionneur est facilement accessible pour le client avec le four installé.
- vous remplissez la liste de contrôle finale »à la fin de l'installation.
- Si, après avoir suivi les instructions données, le bon fonctionnement ne peut pas être atteint, s'il vous plaît contacter votre plus proche Fisher & Paykel centre de service agréé, service à la clientèle, ou nous contacter via notre site web local figurant à la fin de ce document.

④ PIÈCES FOURNIES



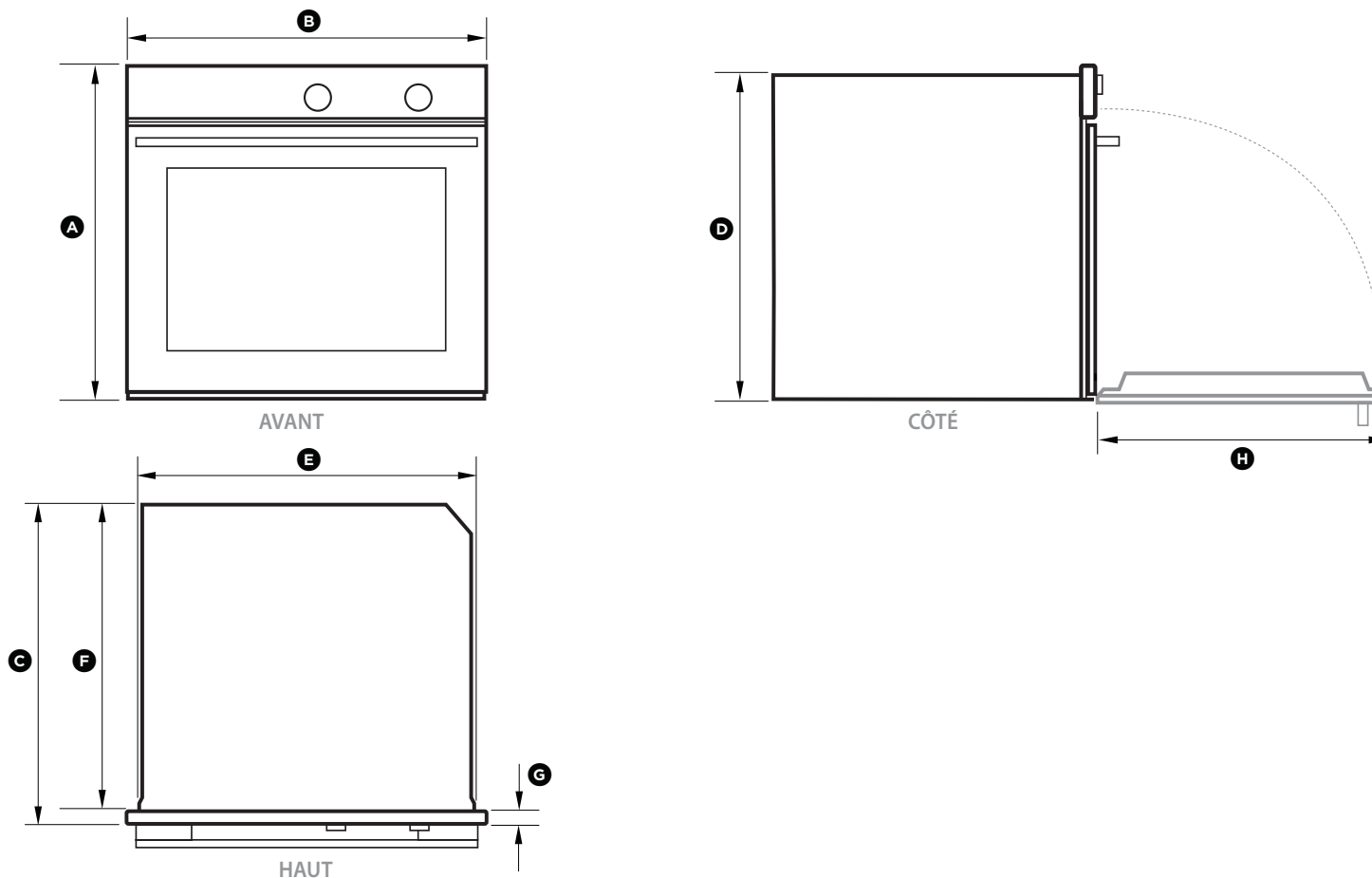
Visser

(2) pour OB30SD
(4) pour OB30DD

entretoises

(2) pour OB30SD
(4) pour OB30DD

5 DIMENSIONS DU PRODUIT - FOURS SIMPLES

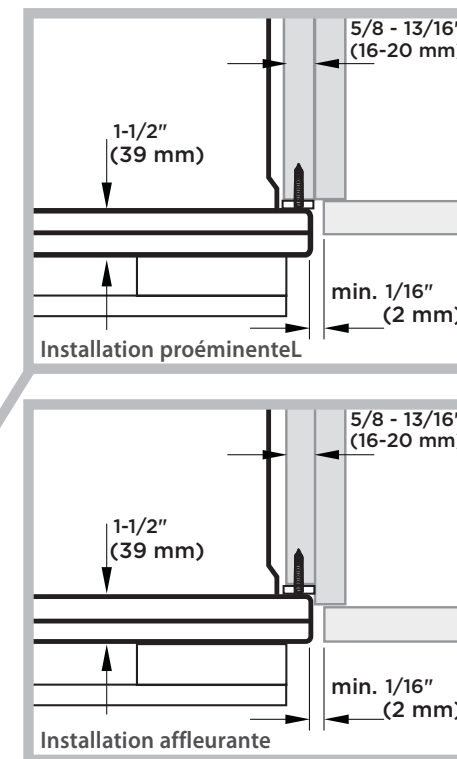
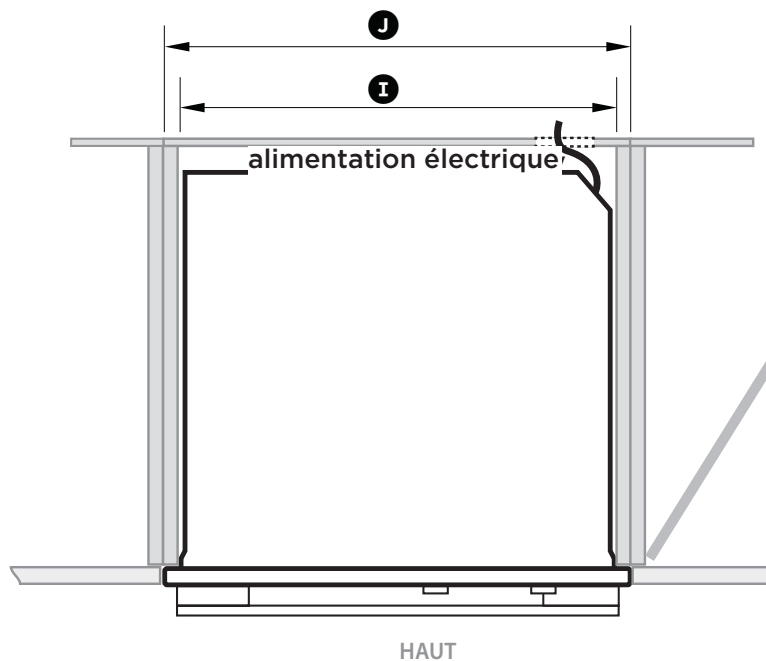
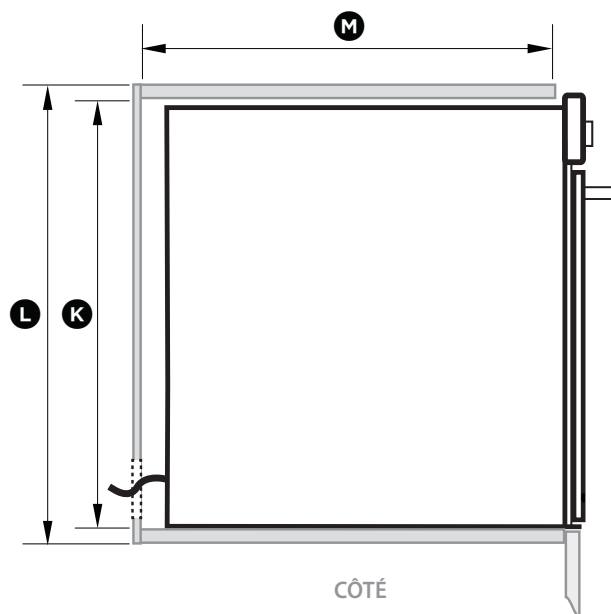


Dimensions du produit po (mm)

WOSU30
WOSV30

A	Hauteur hors tout de l'appareil	28 1/8 po (689)
B	Largeur hors tout de l'appareil	29 15/16 po (760)
C	Profondeur hors tout de l'appareil (sans la poignée)	23 15/16 po (608)
D	Hauteur du châssis	26 9/16 po (675)
E	Largeur du châssis	28 5/16 po (720)
F	Profondeur du châssis	22 3/8 po (569)
G	Profondeur du cadre de four et du panneau de commande (à l'exclusion des boutons)	1 1/2 po (39)
H	Profondeur de la porte du four (ouverte) (mesurée à partir de l'avant du cadre de four)	20 7/8 po (530)

5 DIMENSIONS ARMOIRE - FOURS SIMPLES



Important!

Assurez-vous que la cavité est entièrement scellée et qu'elle ne présente aucun dégagement.
Il s'agit d'assurer les fonctions du système de refroidissement du four correctement.

Important!

Installation affleurante
La profondeur du panneau de commande (G) est plus grande que les fours conventionnels. Assurez-vous d'avoir créé un 1/2 po (38 mm) évidement dans les armoires.

Si rincer l'installation, vous devez remplacer la garniture inférieure de la garniture longtemps fourni à la base du four. Reportez-vous à l'étape 11 pour les instructions.

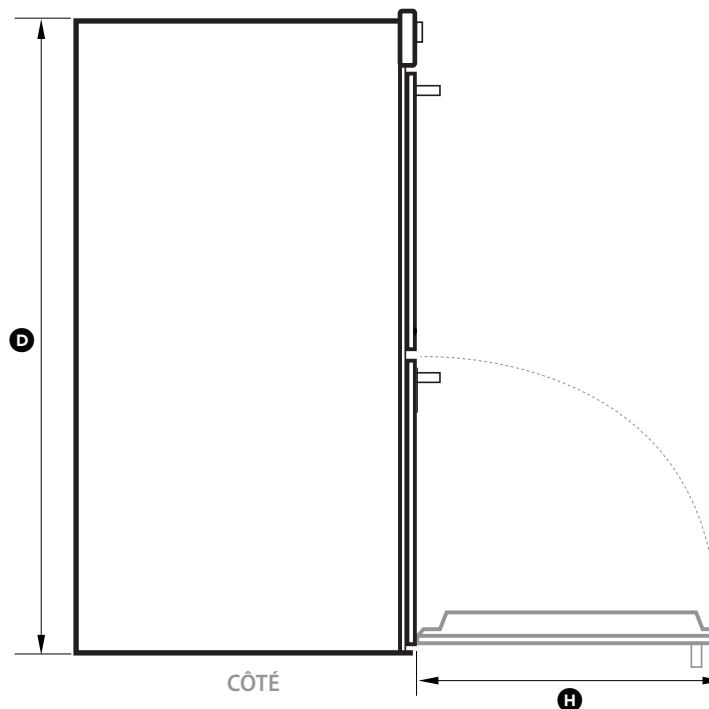
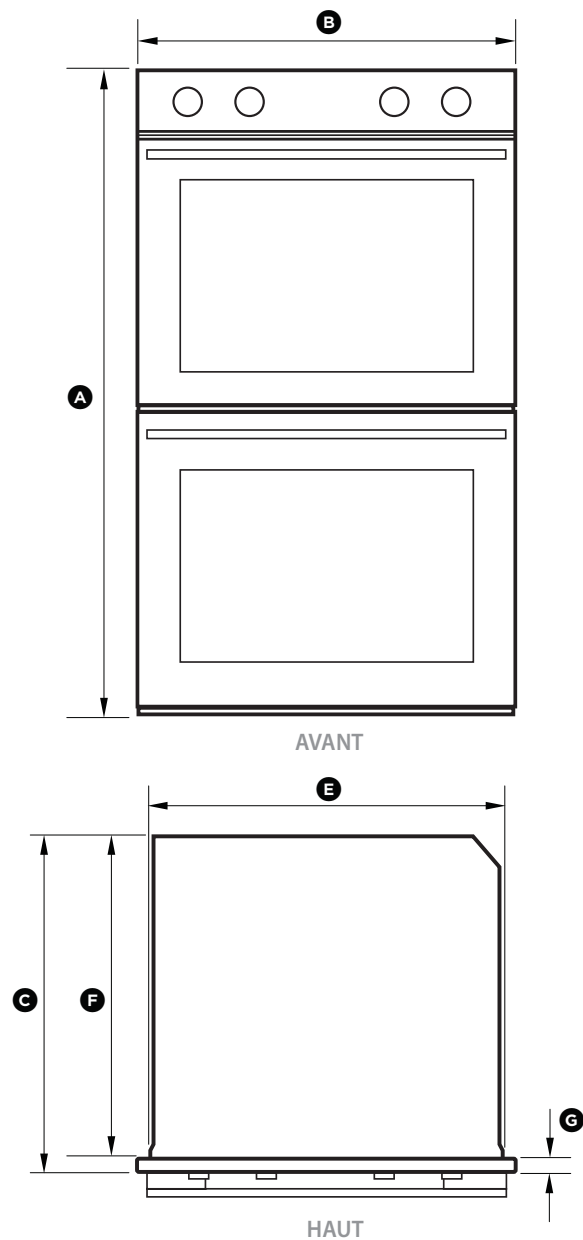
Dimensions Cabinetry po (mm)

WOSU30
WOSV30

I	Largeur minimale de l'intérieur de la cavité	28 ½ po (724)
J	Largeur hors tout du module	30 ⅞ po (764)
K	Hauteur de l'intérieur de la cavité	26 ⅓ po (681)
L	Hauteur hors tout du module	27 ¾ po (693)
M	Profondeur minimale de l'intérieur de la cavité	Installation proéminente : 22 ⅝ po (575) Installation affleurante : 24 ⅞ po (613)

Nota : si vous installez une surface de cuisson au-dessus du four, assurez-vous de prévoir un dégagement suffisant pour la surface de cuisson, comme le recommandent les instructions du fabricant.

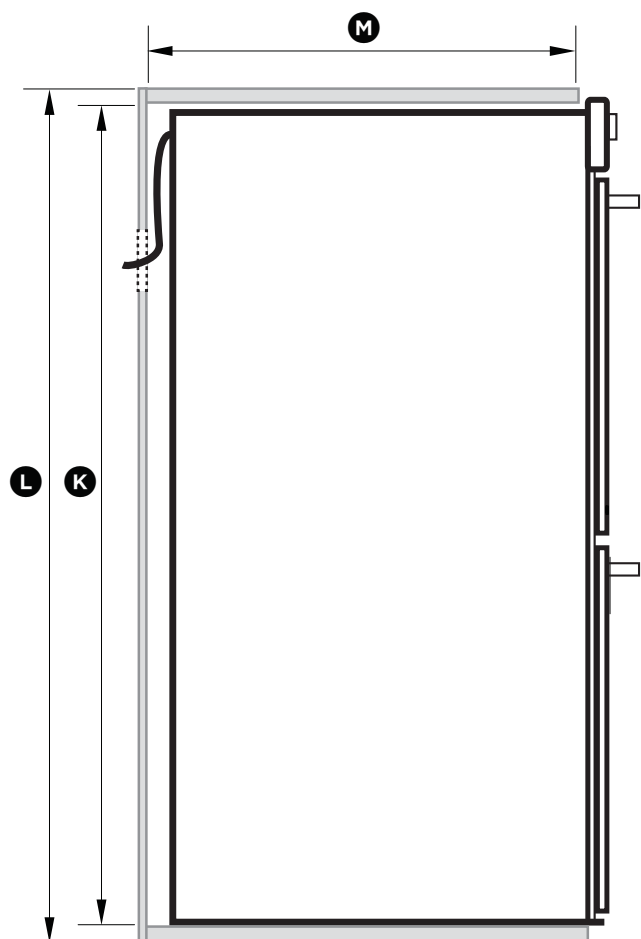
5 DIMENSIONS DU PRODUIT - FOURS DOUBLES



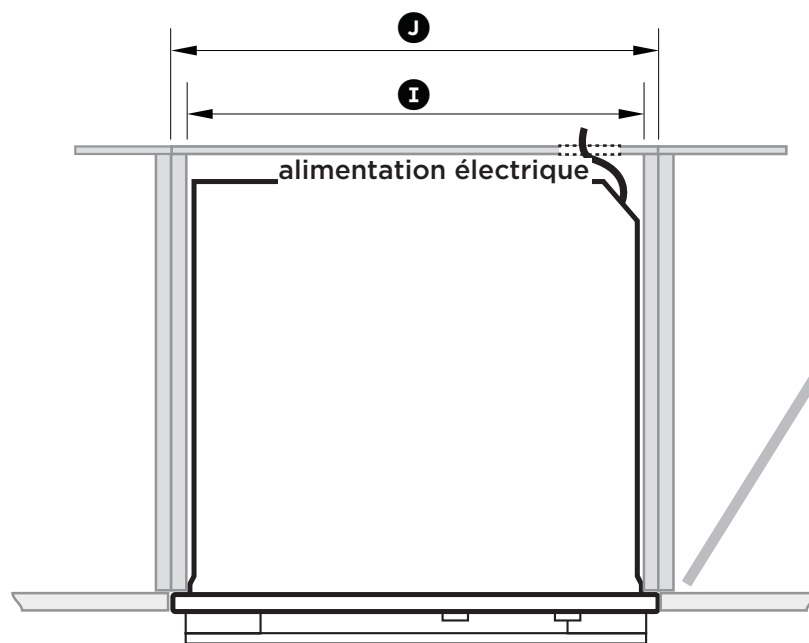
Dimensions du produit po (mm)

		MODU30 MODV30
A	Hauteur hors tout de l'appareil	48 ½ po (1232)
B	Largeur hors tout de l'appareil	29 15/16 po (760)
C	Profondeur hors tout de l'appareil (sans la poignée)	23 15/16 po (608)
D	Hauteur du châssis	47 15/16 po (1218)
E	Largeur du châssis	28 5/16 po (720)
F	Profondeur du châssis	22 3/8 po (569)
G	Profondeur du cadre de four et du panneau de commande (à l'exclusion des boutons)	1 ½ po (39)
H	Profondeur de la porte du four (ouverte) (mesurée à partir de l'avant du cadre de four)	20 7/8 po (530)

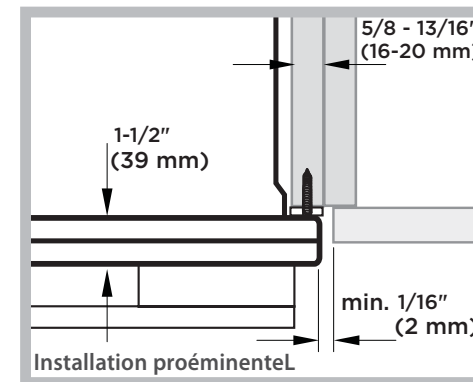
⑤ DIMENSIONS ARMOIRE - FOURS DOUBLES



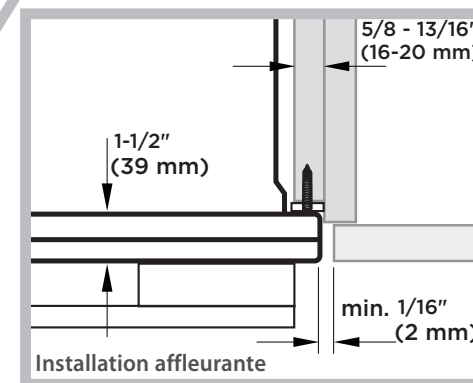
CÔTÉ



HAUT



Installation proéminenteL



Installation affleurante

Important!

Assurez-vous que la cavité est entièrement scellée et qu'elle ne présente aucun dégagement. Il s'agit d'assurer les fonctions du système de refroidissement du four correctement.

Important!

Installation affleurante
La profondeur du panneau de commande (G) est plus grande que les fours conventionnels. Assurez-vous d'avoir créé un 1/2 po (38 mm) évidemment dans les armoires.

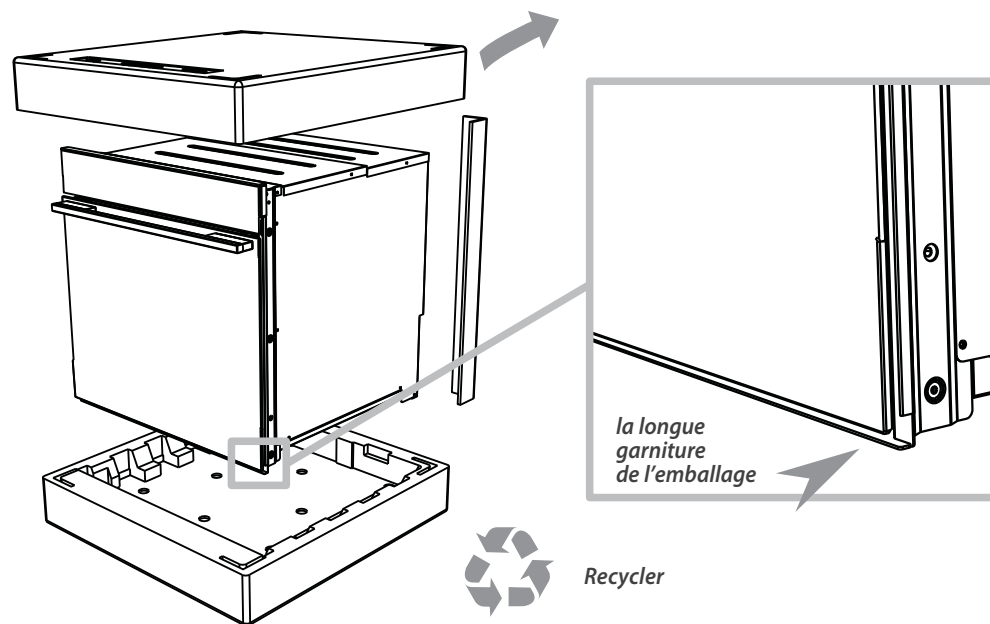
Si rincer l'installation, vous devez remplacer la garniture inférieure de la garniture longtemps fourni à la base du four. Reportez-vous à l'étape 11 pour les instructions.

Dimensions Cabinetry po (mm)

MODU30
WODV30

I	Largeur minimale de l'intérieur de la cavité	28 1/2 po (724)
J	Largeur hors tout du module	30 1/8 po (764)
K	Hauteur de l'intérieur de la cavité	48 3/16 po (1224)
L	Hauteur hors tout du module	48 11/16 po (1236)
M	minimum inside depth of cavity	Installation proéminente : 22 3/8 po (575) Installation affleurante : 24 1/8 po (613)

⑥ JETER EMBALLAGE AVEC MODÉRATION



Modèle unique montré à des fins d'illustration seulement

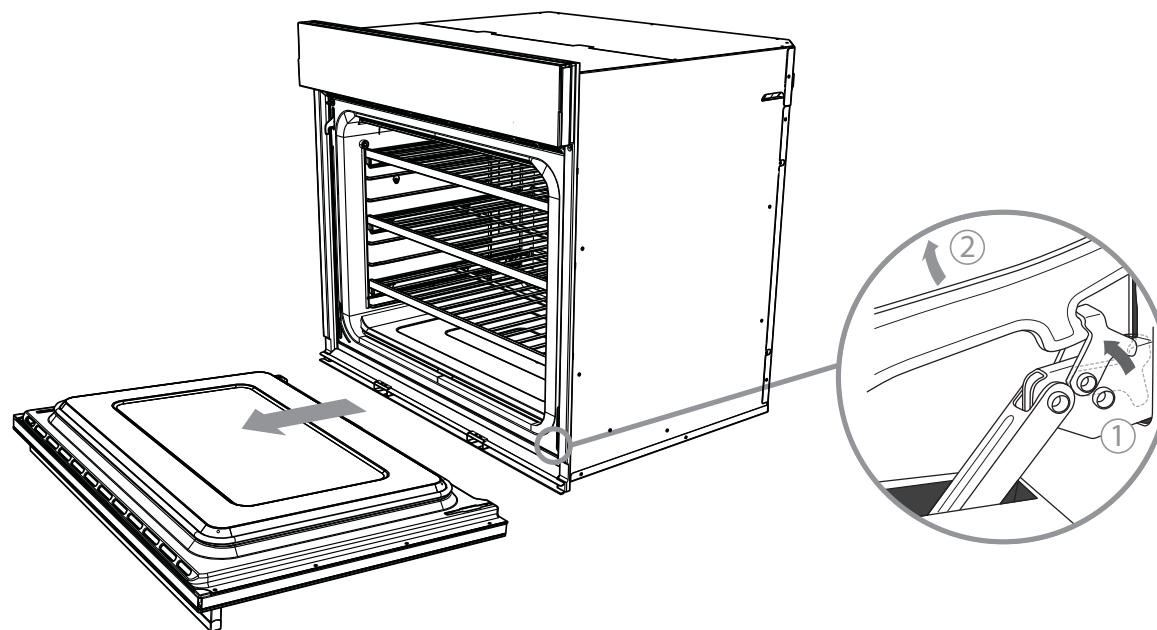


Important!

Lorsque vous retirez le four du carton veiller à ne pas endommager la garniture inférieure. La garniture est important à la fois pour la ventilation et pour s'assurer que la porte s'ouvre complètement sans obstruction.

Assurez-vous que vous supprimez le long Garniture de l'emballage.

⑦ ENLEVER LA PORTE (S)



Important!

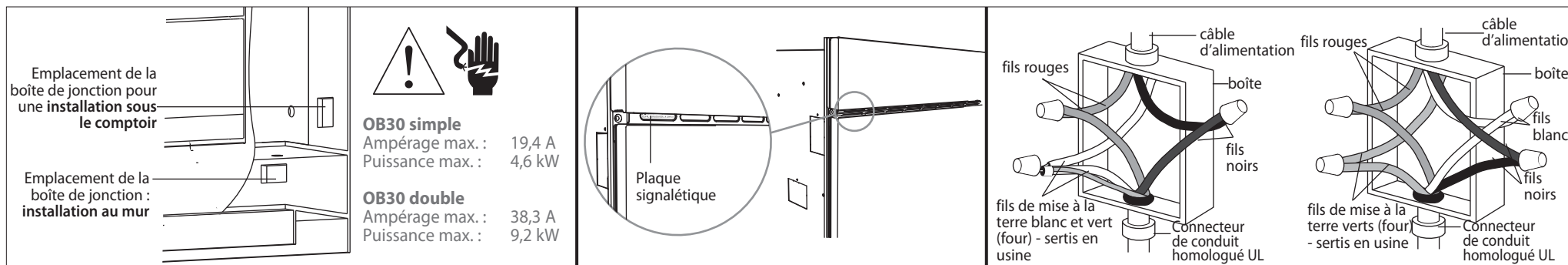
Ne soulevez pas le four par la poignée de porte.

- 1 Accrocher les fixations pivotantes porte sur la barre de métal au-dessus.
- 2 Soulevez la porte du four légèrement pour dégager la charnière.
- 3 Tirez la porte avant de l'appareil et se trouver sur une surface plane.

Les modèles de fours doubles seulement:

Retirez les deux portes.

8 BRANCHEMENT ÉLECTRIQUE DE LA BOÎTE DE JONCTION



- 1 Débranchez l'alimentation.
- 2 Retirez le couvercle de la boîte de jonction.
- 3 Raccordez le câble du four à la boîte de jonction au moyen du connecteur de conduit homologué UL.
- 4 Raccordez les deux fils noirs ensemble au moyen de capuchons de connexion (Marrette).
- 5 Raccordez les deux fils rouges ensemble au moyen de capuchons de connexion (Marrette).

- 6 Effectuez le branchement en observant les codes et règlements locaux.

Si les codes locaux permettent de raccorder le conducteur de mise à la terre du module au fil blanc (neutre) de la boîte de jonction :

- 7a Raccordez les câbles vert et blanc sertis en usine au fil blanc (neutre) de la boîte de jonction.
- 8a Remettez le couvercle de la boîte de jonction en place.

OU Si les codes locaux permettent de raccorder le conducteur de mise à la terre du module au fil blanc (neutre) de la boîte de jonction :

- 7b Séparez les fils vert et blanc du four qui ont été sertis en usine.
- 8b Raccordez le fil blanc du four au fil blanc (neutre) de la boîte de jonction.
- 9b Raccordez le fil de mise à la terre du four (fil vert) au fil de mise à la terre de la boîte de jonction.
- 10b Remettez le couvercle de la boîte de jonction en place.

OU Si vous raccordez l'appareil à un système électrique à quatre (4) fils :

- 7c Séparez les fils vert et blanc du four.
- 8c Raccordez le fil blanc du four au fil blanc (neutre) de la boîte de jonction.
- 9c Raccordez le fil vert de mise à la terre de l'appareil au fil de mise à la terre (vert) de la boîte de jonction.
- 10c Remettez le couvercle de la boîte de jonction en place.

Ne branchez pas le fil de mise à la terre vert au fil blanc (neutre) de la boîte de jonction.

9 SECURE THE FOUR À L'ARMOIRE

- 1 Placez le four dans la cavité préparée.

Important!

Ne soulevez pas le four par la poignée de porte.

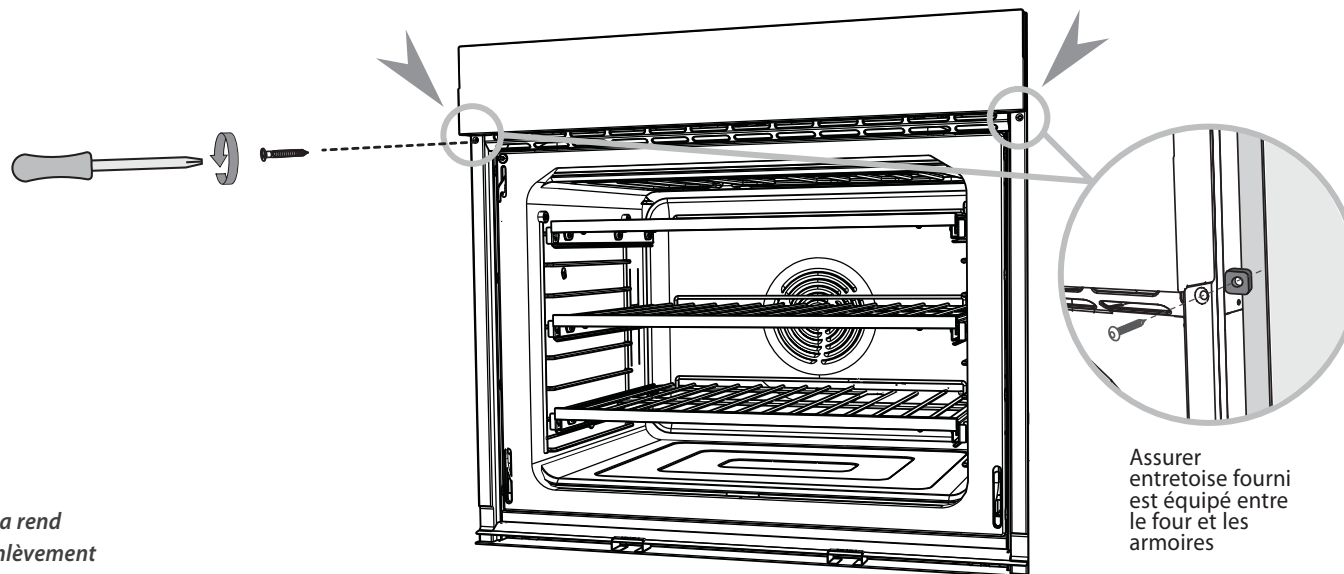
- 2 Utilisez les vis et entretoises fournies pour fixer le four au meuble.

Les modèles de fours doubles seulement:

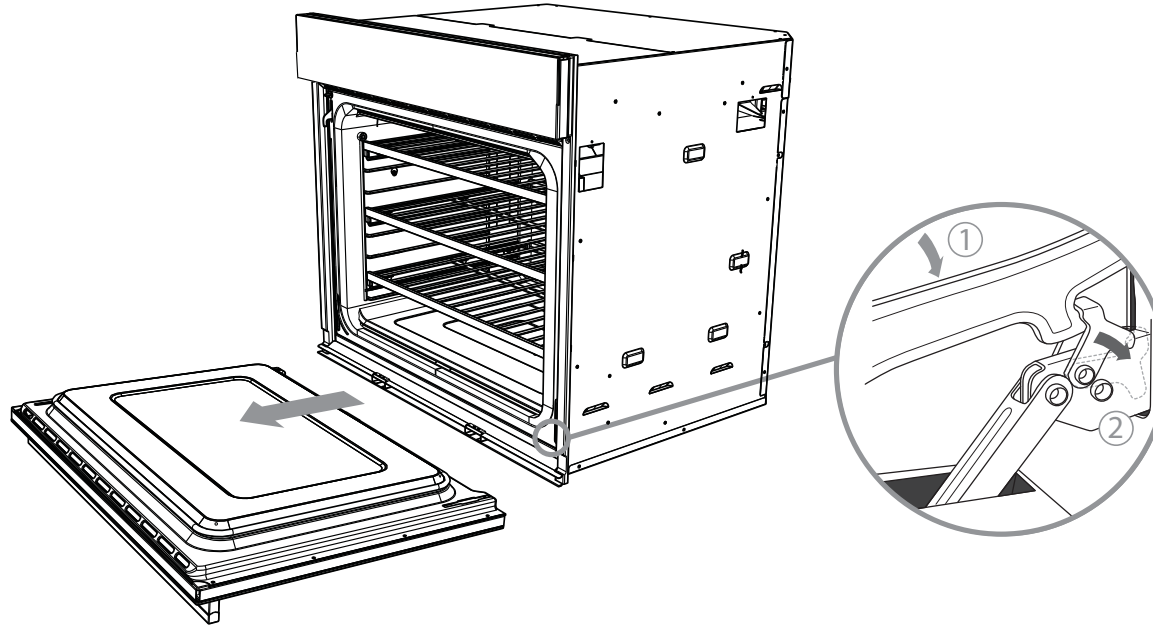
Il ya 4 vis et entretoises fournies (deux de chaque côté).

Important!

- Ne pas trop serrer les vis.
- Prenez soin de ne pas endommager la garniture inférieure du four.
- Ne pas sceller le four dans l'armoire avec du silicone ou de la colle. Cela rend l'entretien avenir difficile. Fisher & Paykel ne couvrent pas les frais d'enlèvement du four, ou de dommage causé par ce retrait.



⑩ REMONTER LE PORTE(S)



Important!

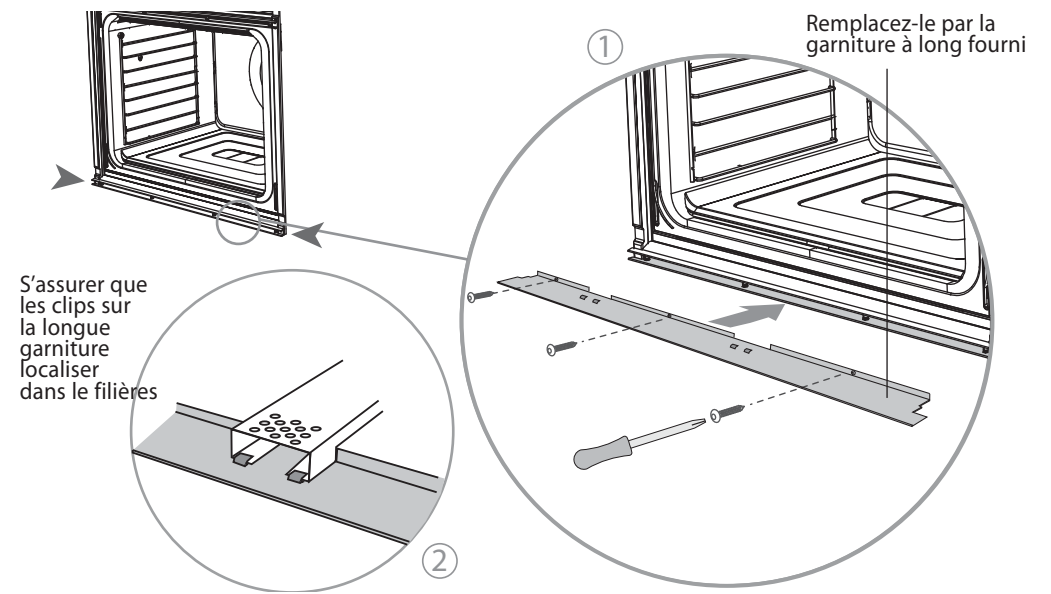
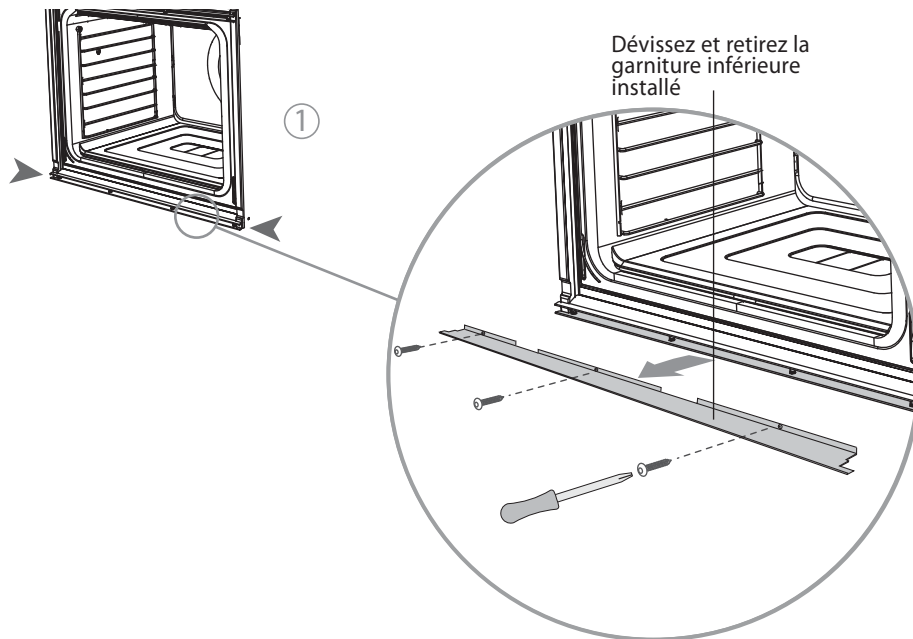
Ne soulevez pas le four par la poignée de porte.

- 1 Remontez la porte en suivant la séquence à l'étape 7 dans l'ordre inverse.

Les modèles de fours doubles seulement:

Remonter les deux portes.

⑪ INSTALLATION DE CHASSE SEULEMENT - REMPLACER LE TRIM INFÉRIEUR AVEC LE TRIM LONG FOURNI



12 LISTE DE VÉRIFICATION FINALE

✓ À REMPLIR PAR L'INSTALLATEUR

- Assurez-vous que le four est à niveau et solidement fixés à l'armoire.
- Vérifiez la garniture inférieure est en bon état.
- Ouvrir le (inférieur) porte du four lentement jusqu'à ce qu'elle soit totalement ouverte et de vérifier qu'il ya un espace suffisant entre le bas de la porte et la garniture inférieure. C'est pour assurer une circulation d'air correcte. Si la garniture inférieure est endommagé, redresser l'équilibre et s'assurer que la porte du four s'ouvre totalement sans obstruction.
- Assurez-vous que toutes les attaches de câble et de l'emballage interne a été retiré de la cavité du four.
- Assurez-vous que tous les événements et les ouvertures du four sont claires et exemptes de tout obstruction ou de dommages.

Important!

Défaut de s'assurer que tous les événements du four sont clairs peut altérer les performances du produit.

- Assurez-vous que le sectionneur est accessible par le client.

FONCTIONNEMENT TEST:

- Couper l'alimentation au four. L'affichage doit s'allumer et afficher 24: Hr. Réglez l'horloge en suivant les instructions dans le «Guide de démarrage rapide.
- Activez la fonction four à 'Bake. L'intérieur de la cavité du four, la lumière de four devrait s'allumer. Air devrait souffler de l'évent au sommet du four. Avez-vous montré le fonctionnement de base pour le client?
- Réduire la température à 120 °F/50 °C. L'indicateur de température devrait s'allumer. Après cinq minutes, ouvrir la porte du four: l'air intérieur doit être tiède. Tournez la molette de fonction du four sur OFF.

Le nom de l'installateur:

De l'installateur de la signature:

Entreprise d'installation:

Date d'installation:

LAISSER CES INSTRUCTIONS AVEC LE CLIENT

Important!

CONSERVEZ CES INSTRUCTIONS

Les modèles illustrés dans ce document peuvent ne pas être offerts dans tous les marchés et sont sujets à changement sans préavis. Pour obtenir la plus récente information sur les modèles et les spécifications offerts dans votre pays, veuillez visiter notre site Web à l'adresse indiquée à la fin de ce document, ou communiquez avec le revendeur DCS Fisher & Paykel de votre région.