



THE PROFESSIONAL AND EURO VENT HOOD

Installation Guide



MODELS:

VS30	VS1236
VS36	ES30
VS48	ES36



A MESSAGE TO OUR CUSTOMERS

Thank you for selecting this DCS Professional Vent Hood. Because of this appliance's unique features we have developed this Installation Guide. It contains valuable information on how to properly install your new appliance for years of safe and enjoyable cooking. Keep this guide handy, as it will help answer questions that may arise as you use your new appliance.

For your convenience, product questions can be answered by a DCS Customer Care Representative by phone: 1-888-281-5698, email: support@dcsappliances.com, or by mail:

Fisher & Paykel Appliances, Inc.
Attention: DCS Customer Care
5900 Skylab Road
Huntington Beach, CA 92647 www.dcsappliances.com

NOTE: Please write the Model and Serial Number on this page for references (located on the inner back panel, behind grease filters, below motor assembly)

MODEL NUMBER _____

SERIAL NUMBER _____

APPROVED FOR INDOOR COOKING APPLIANCES AND RESIDENTIAL USE ONLY.

PLEASE READ ENTIRE INSTRUCTIONS BEFORE PROCEEDING.

Installation must comply with all local codes.



WARNING

If the information in this manual is not followed exactly, a fire or explosion may result causing property damage, personal injury or death.

Do not store or use gasoline or other flammable vapors and liquids in the vicinity of this or any other appliance.



DANGER

If You Smell Gas:

- Do not try to light any appliance.
- Do not touch any electrical switch; do not use any phone in your building.
- Immediately call your gas supplier from a neighbor's phone. Follow the gas supplier's instructions.
- If you cannot reach your gas supplier, call the fire department.
- Installation and service must be performed by a qualified installer, service agency or the gas supplier.

PLEASE RETAIN THIS MANUAL FOR FUTURE REFERENCE.

A MESSAGE TO OUR CUSTOMERS



SAFETY WARNING:

Turn off power circuit at service panel and lock out panel, before wiring this appliance.

Requirement: 120 V AC, 60 Hz. 15 A Branch Circuit



WARNING

To reduce the risk of injury to persons in the event of a rangetop grease fire, observe the following: Turn burner off first. Smother flames with a close-fitting lid, cookie sheet, or metal tray. Be careful to prevent burns. If the flames do not go out immediately evacuate and call the fire department. Never pick up a flaming pan - You may be burned. **DO NOT USE WATER**, including wet dishcloths or towels - a violent steam explosion will result. Use an extinguisher **ONLY** if:

- 1) You know you have a Class ABC extinguisher, and you already know how to operate it.
- 2) The fire is small and contained in the area where it started.
- 3) The fire department is being called.
- 4) You can fight the fire with your back to an exit.

TABLE OF CONTENTS

SAFETY PRACTICES	3-5
PRODUCT DIMENSIONS	6
PARTS	7
BEFORE INSTALLING HOOD	8-9
INSTALLATION	10-15
Wall Mount Installation	10-12
Cabinet Installation.....	13-14
Integral Ventilator Installation	15
HOW TO OBTAIN SERVICE	16
WARRANTY	17

SAFETY PRACTICES AND PRECAUTIONS

CAUTION:

For general ventilating use only. **DO NOT** use to exhaust hazardous or explosive materials or vapors.



WARNING:

To reduce the risk of fire, electrical shock, or injury to persons, observe the following :

- A. Use this unit only in the manner intended by the manufacturer. If you have questions, contact the manufacturer.
- B. Before servicing or cleaning the unit, switch power off at service panel and lock service panel disconnecting means to prevent power from being switched on accidentally. When the service disconnecting means cannot be locked, securely fasten a prominent warning device, such as a tag, to the service panel.
- C. Installation work and electrical wiring must be done by qualified person(s) in accordance with all applicable codes & standards, including fire-rated construction.
- D. Sufficient air is needed to maintain proper combustion and safe exhausting of gases through the flue (chimney) of fuel burning equipment to prevent backdrafting. Follow the heating equipment manufacturers guideline and safety standards such as those published by the National Fire Protection Association (NFPA), the American Society for Heating, Refrigeration and Air Conditioning Engineers (ASHRAE), and the local code authorities.
- E. When cutting or drilling into wall or ceiling, do not damage electrical wiring and other hidden utilities.
- F. Ducted systems must always be vented to the outdoors.

CAUTION:

To reduce the risk of fire and to properly exhaust air, be sure to duct air to outside. Do not vent exhaust air into spaces within walls or ceiling, nor into attics, crawl spaces, or garages.



WARNING:

To reduce the risk of fire, use only metal duct work.

Install this hood in accordance with all requirements specified.



WARNING:

To reduce the risk of fire or electric shock, do not use this hood with any external solid state speed control device.

SAFETY PRACTICES & PRECAUTIONS



WARNING:

To reduce the risk of a range top grease fire:

- A. Never leave surface units unattended at high settings. Boilovers cause smoking and greasy spillovers that may ignite. Heat oil slowly on low or medium settings.
- B. Always turn hood "ON" when cooking at high heat or when flambeing food (i.e. Crepes Suzette, Cherries Jubilee, Peppercorn Beef Flambe').
- C. Clean ventilating fans frequently. Grease should not be allowed to accumulate on fan or filter.
- D. Use proper pan size. Always use cookware appropriate for the size of the surface unit.



WARNING:

To reduce the risk of injury to persons, in the event of a range top grease fire, observe the following:

- A. SMOTHER FLAMES with a close-fitting lid, cookie sheet, or other metal tray, then turn off the gas burner or the electric element. BE CAREFUL TO PREVENT BURNS. If the flames do not go out immediately, EVACUATE AND CALL THE FIRE DEPARTMENT.
- B. NEVER PICK UP A FLAMING PAN - you may be burned.
- C. DO NOT USE WATER, including wet dishcloths or towels - a violent steam explosion may result. DO NOT use water on a grease fire. Burning grease and water will explode.
- D. Use an extinguisher ONLY if:
 - 1) You know you have a class ABC extinguisher, and you already know how to operate it.
 - 2) The fire is small and contained in the area where it started.
 - 3) The fire department is being called.
 - 4) You can fight the fire with your back to an exit.

NOTE: Unit MUST be vented to the outside of the building.

IMPORTANT: Refer to ducting information supplied in this Manual (Pg. 9)



WARNING:

To reduce the risk of electrical shock or injury to persons, all vent hoods must be installed with ventilators that have been approved for use with the hood.

SAFETY PRACTICES & PRECAUTIONS

This Vent Hood system is designed to remove smoke, cooking vapors and odors from the cooktop area.

 **WARNING:**

All wall and floor openings where the vent hood is installed must be sealed.

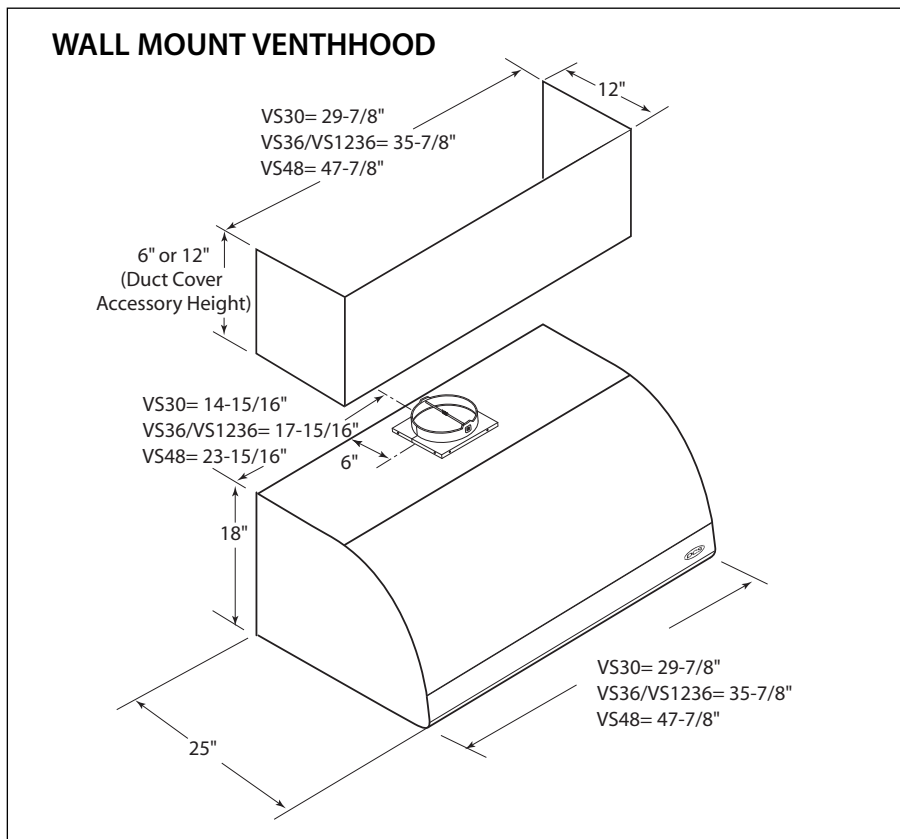
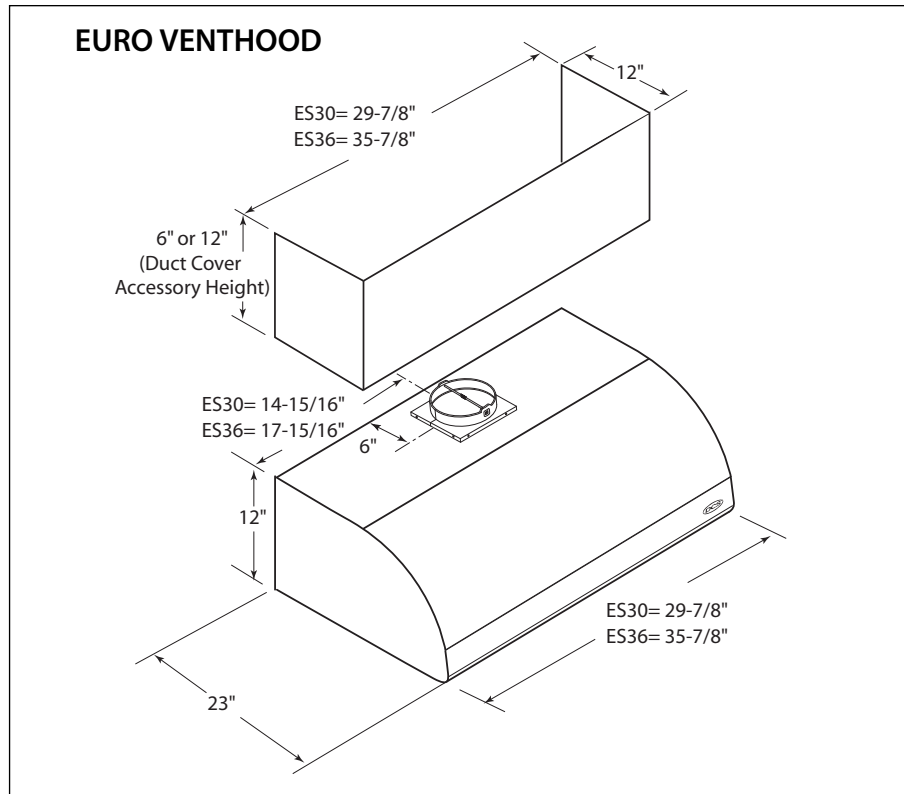
Consult the cooktop or range installation instructions given by the manufacturer before making any cutouts. **MOBILE HOME INSTALLATION-** The installation of this Hood must conform to the Manufactured Home Construction and Safety Standards, Title 24 CFR, Part 3280 (formerly Federal Standard for Mobile Home Construction and Safety, Title 24, HUD, Part 280). Three wire power supply must be used and the appliance wiring must be revised. See electrical requirements on page 1.

- DO NOT use 4" laundry-type wall caps.
- Flexible-type ductwork is not recommended.
- DO NOT obstruct the flow of combustion and ventilation air. Be sure a fresh air supply is available.
- Failure to follow venting requirements may result in a fire.
- Electrical ground is required on this Hood.
- If cold water pipe is interrupted by plastic, non-metallic gaskets or other materials, DO NOT use for grounding.
- DO NOT ground to a gas pipe.
- DO NOT have a fuse in the neutral or grounding circuit. A fuse in the neutral or grounding circuit could result in electrical shock.
- Check with a qualified electrician if you are in doubt as to whether the Hood is properly grounded.
- Failure to follow electrical requirements may result in a fire.
- Be sure all the range and/or cooktop controls are turned off and the appliance is cool before using any type of aerosol cleaner on or around the appliance. The chemical that produces the spraying action could, in the presence of heat, ignite or cause metal parts to corrode.
- Clean the ventilator hood and filters above the range or cooktop frequently so grease from cooking vapors does not accumulate on them.
- Service should only be done by authorized technicians. Technicians must disconnect the power supply before servicing this appliance.

 **WARNING:**

California Proposition 65 - The burning of gas cooking fuel generates some by-products which are known by the State of California to cause cancer or reproductive harm. California law requires businesses to warn customers of potential exposure to such substances. To minimize exposure to these substances, always operate this unit according to the instructions contained in this booklet and provide good ventilation to the room when cooking with gas.

PRODUCT DIMENSIONS



PARTS

PARTS INCLUDED WITH YOUR HOOD

- Hood Canopy Assembly with Light Bulbs installed.
- Metal Transition with Back draft dampers (already installed on ES30, ES36, VS30, VS36 models)
- Use & Care /Installation Instructions
- Filters (quantity depending on model and size)
- Screws and Drywall Anchors
- Wooden Strip for Hood Support
- Drip Trays (quantity depending on model and size)
- Filter Trim Bracket (ES36 model only – Install on unit after electrical connections are completed on page 15)
- Integral Blower

PARTS NOT INCLUDED WITH YOUR HOOD

- Ducting (See Page 9 for duct requirements: 8" or 10" Ø to be used.)
- Duct Tape
- 1/2" Conduit
- Wire Nuts
- Optional duct cover, 6" or 12" height
 - VDC1230 – 12" Duct cover kit for VS30/ES30
 - VDC1236 – 12" Duct cover kit for VS36/VS1236/ES36
 - VDC1248 – 12" Duct cover kit for VS48
 - VDC630 – 6" Duct cover kit for VS30/ES30
 - VDC636 – 6" Duct cover kit for VS36/VS1236/ES36
 - VDC648 – 6" Duct cover kit for VS48
- Optional IR Kit + support bracket (Infrared bulbs included. Use only bulbs mod. 175R-PAR, 175W maximum infrared bulbs).
 - IR30 – Kit with single 175 W heat lamp for VS30/ES30
 - IR36 – Kit with two 175 W heat lamp for VS36/VS1236/ES36
 - IR48 – Kit with two 175 W heat lamp for VS48

BEFORE INSTALLING HOOD

1. For the most efficient air flow exhaust, use a straight run or as few elbows as possible. Maximum duct length is 40 feet, including elbows.

CAUTION:

Vent unit to outside of building only.

2. Two people are necessary for installation.
3. The hood is fitted with Screws and Drywall Anchors suitable for most surfaces. Consult a qualified installer.
4. Do not use flex ducting.
5. COLD WEATHER installations should have an additional backdraft damper installed to minimize the back flow of cold air and nonmetallic thermal break to minimize conduction of outside temperatures as part of the ductwork. The damper should be on the cold air side (outside wall) of the thermal break.

The break should be as close as possible to where the ducting enters the heated portion of the house.
6. Local building codes may require the installation of a make-up air system. Consult your HVAC professional for specific requirements in your area.
7. Hood installation height above cooktop is the users preference. Lower installation heights will improve the efficiency of capturing cooking odors, grease, and smoke. This hood has been approved for installation heights 30" above the cooktop. Taller people may find a 30" installation height is inconvenient. DCS recommends an installation height between 30" and 36".
8. ES30 and ES36 hood models are not recommended to be used over indoor range grills.
9. For installation over DCS Range and Cooktop models RGS-364GL or CS-364GL, the VS1236 model vent is recommended.
10. Make sure your range or cooktop is level.

TYPICAL INSTALLATION

The hood can be installed using a wall mounting system or suspended under existing cabinetry in the kitchen. Ducting can be configured for both vertical and horizontal discharge.

If an infrared kit was purchased for installation with the hood, assemble the kit to the hood prior to installation.

For wall mount installations, duct cover kits can be purchased as spacers between hood and ceiling. Duct covers are assembled to unit after the hood is installed.

BEFORE INSTALLING HOOD

ELELCTRICAL

Install a 1/2" conduit from the service panel long enough to reach the hood once it is installed.

Branch circuit requirement is 120V, 60Hz, 15A(minimum).

INFRARED LAMP AND PANEL KIT

Optional infrared lamp and panel kit can be ordered separately and mounted into your vent hood.

Models available: IR30, IR36 and IR48. See instructions supplied with kit for assembly to your hood.

WARNING

To avoid any electrical shock the installation of the IR lamp should be done by a qualified electrician and before starting the installation of the hood.

DUCTING

Hood models: ES30, ES36, VS30, VS36 are supplied with a starting collar and backdraft damper on top of the hood for connection to 8" round duct. Models: VS1236 and VS48 are supplied with a 10" round transition with damper and is assembled as shown in Fig. 3.

Vertical Discharge Figure

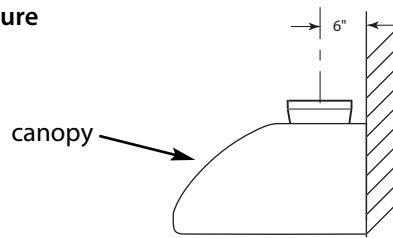


FIG. 1

Horizontal Discharge Figure

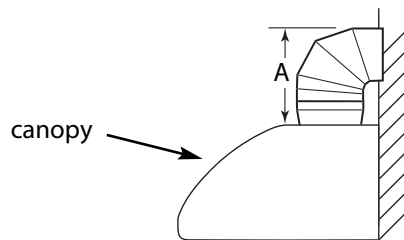


FIG. 2

FOR 90° ELBOW	A
10"	16"
8"	11"

Install ducting long enough to reach the transition once the hood is installed plus 1-1/2 inch to connect ductwork.

ASSEMBLE TRANSITION TO HOOD (VS1236 and VS48 hoods only)

The transition supplied with the hood mounts to the top of the hood, Figure 3.

1. Place the transition piece over the hood exhaust and secure with 4 screws provided (Figure 3).
2. Duct tape connection between transition and hood.
3. Remove tape holding damper

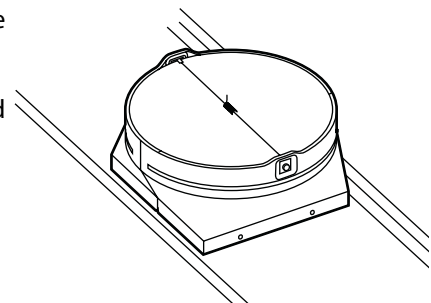
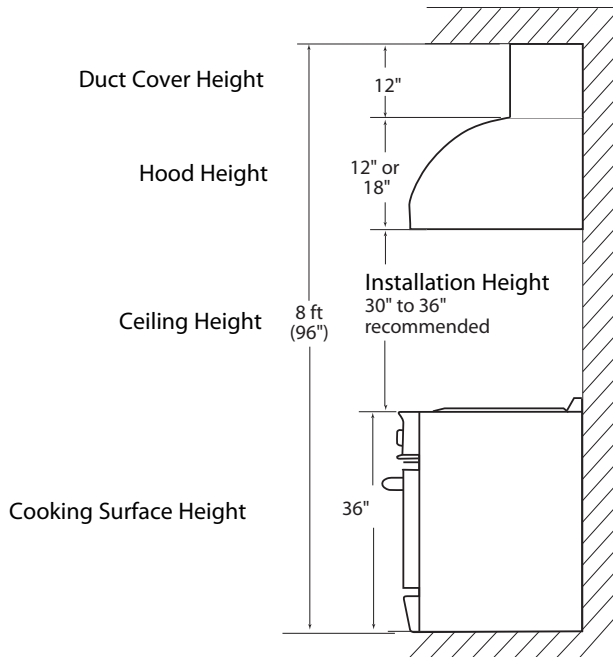


FIG. 3

INSTALLATION

WALL MOUNT INSTALLATION

Calculating Installation Height – Installation height for a standard 8 ft high kitchen ceiling is shown below in Figure X. The minimum installation height allowed is 30". Typical installations are between 30" and 36".



Installation Height Figure X

Use the following formula to calculate installation height:

$$\text{Installation Height} = (\text{Ceiling Height}) - (\text{Height Cooktop Surface}) - (\text{Hood Height}) - (\text{Duct Cover Height})$$

$$(\text{Example: Installation height} = 96" - 36" - 18" - 12" = 30")$$

Hood Height = 12" for ES30 and ES36 models

18" for VS30, VS36, VS1236 and VS48 models

Duct Cover Height – Duct cover accessories are available in 6" or 12" heights. For taller ceilings duct covers can be joined together in any combination.

1. Hood Installation Height

After the hood installation height has been determined, draw a horizontal line at a distance above the cooktop equal to the desired hood installation height plus dimension "E" (see Table on Figure 4).

This line is the mounting location of the wooden bracket shipped with the hood.

2. Find the centerline of the cooktop. Draw a vertical line along this centerline up to the horizontal line drawn in step 1.
3. The hood is mounted to the wall using a wooden bracket shipped with the hood. Remove the bracket from the hood by removing two shipping screws. Mark the centerline of the bracket.

INSTALLATION

4. Find studs behind the drywall by tapping the wall or using a stud finder. Locate one stud on either side of the cooktop centerline to use for mounting the wooden bracket as shown in Figure 4.
5. Align the top of the wood bracket along the horizontal line drawn in step 1. Align the centerlines of the bracket and cooktop.
6. Drill a 3" deep 1/8" hole through the wooden bracket, drywall and into the stud.
7. Use 2 to 4, 1/4" x 3" flat head wood screws to attach the bracket to the wall as shown in Figure 4. For support of longer hoods, use three or four studs as available. Countersink the heads to prevent interference with the hood.
8. On the wood bracket, mark the locations used to hang the hood according to Figure 5 and its Table.

HOOD MODEL	DIM. "E"
VS Series	15-1/2"
ES Series	10-3/8"

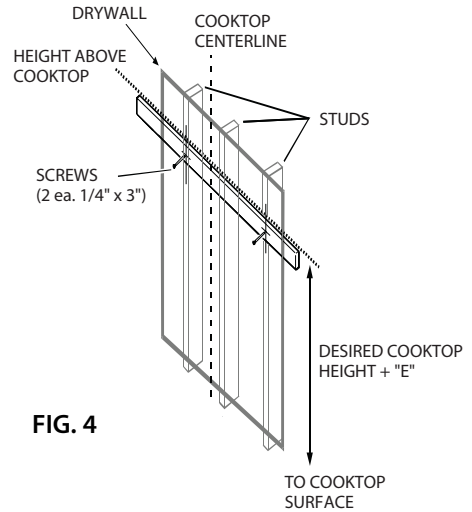


FIG. 4

HOOD MODEL	DIM. "F"
VS Series	7-5/8"
ES Series	7-9/16"

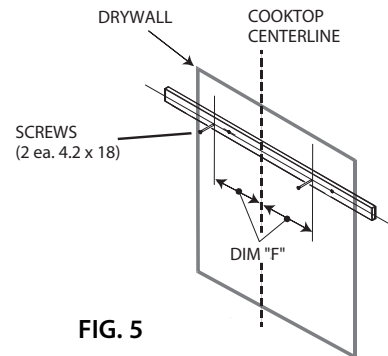


FIG. 5

INSTALLATION

9. Drill a 1/8" hole through the wooden bracket and drywall. These screws do not need to go into the studs.
10. Screw two #10 X 3/4" pan head wood screws into the wood bracket, leaving 1/4" of the screw exposed for hanging the hood.
11. Hang the hood using slots I in Figure 6. Make sure the wood bracket fits into the recess on the back of the hood.
12. Level the hood and tighten screws in slot I.
13. From inside the hood, drive 4 or 6 #10 x 3/4" pan head wood screws (depending on model) through holes J into wooden bracket.
14. Fix duct to transition with screws and seal with duct tape. Screws must not hamper the damper.
15. Drill a 3/8" hole through the center of the holes K into the wall. Insert two wall plugs into drilled holes. Tighten hood to wall anchors by installing 2 screws with washers.

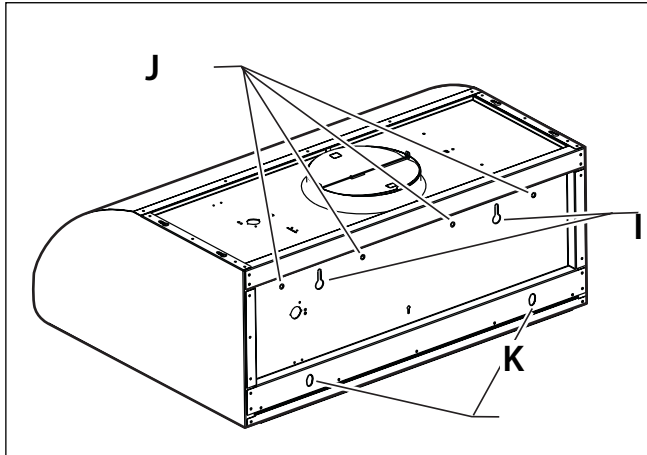


FIG. 6

Go to page 14 to continue the installation.

ASSEMBLY AND INSTALLATION OF THE DUCT COVERS:

Optional duct covers shown in Figure 7 may be used to fill the space between the hood and ceiling in wall mount installations. 6" and 12" high duct covers are available and may be ordered separately.

1. If multiple duct covers are used, connect the pieces together using sheet metal screws provided with chimneys.
2. Attach the duct cover(s) to the hood using sheet metal screws as shown in Figure 7.

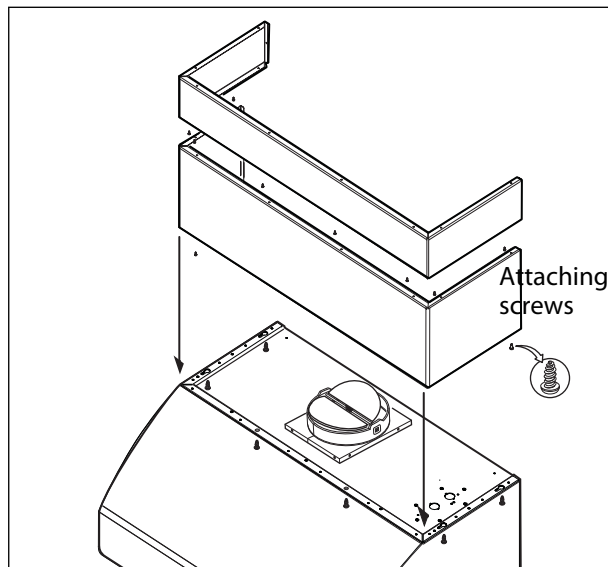


FIG. 7

INSTALLATION

CABINET INSTALLATION

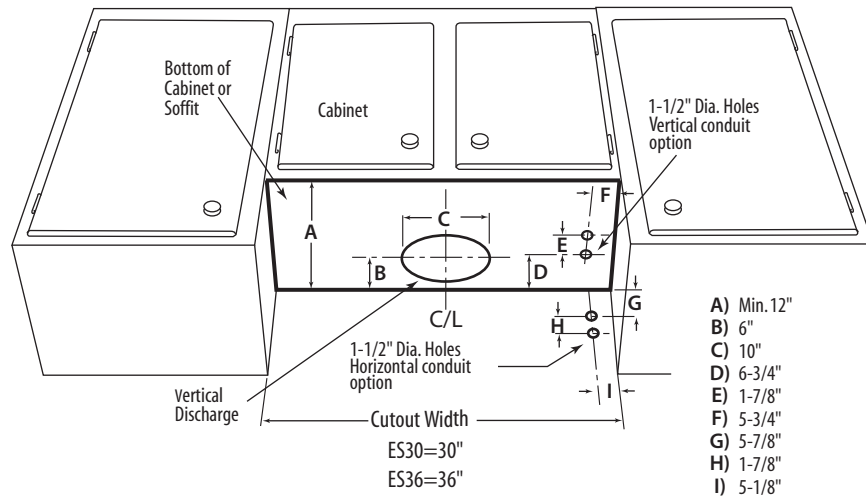
Cabinet Preparation

! WARNING:

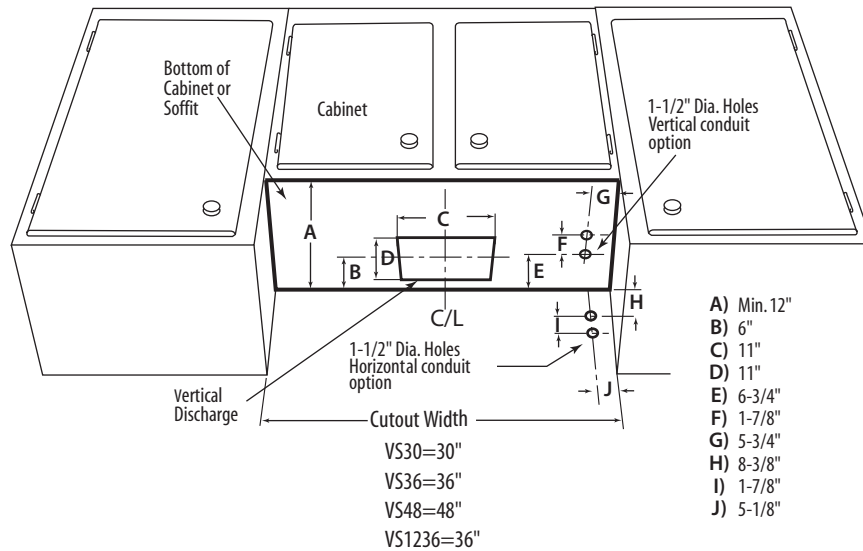
The cabinet must be structurally joined to the wall studs to support the weight of this hood.

ES30/ES36 SERIES HOOD

VS30/VS36 SERIES HOOD



VS1236/VS48 SERIES HOOD



INSTALLATION

CABINET INSTALLATION

1. Find the centerline of the cabinet bottom. Draw a line along this centerline from rear to front of the cabinet.
2. Refer to the top of the hood and Fig. 8. Draw two lines, one at distance 'K' from the wall, the other one at distance 'Z' from the previous line. NOTE: These lines must be perpendicular to the cabinet centerline. Mark 4 points, two along each line at a distance of half W from the center line, to determine the screw locations.
3. Fit four #10 pan head wood screws on cabinet bottom. Do not tighten completely but leave a space of about 1/2" from cabinet bottom surface and screw heads.
4. Hang the hood on screws through side slots provided on hood top. Tighten the four screws.

Drill a 3/8" hole through the center of the holes K into the wall. Insert two wall plugs into drilled holes. Tighten hood to wall anchors by installing 2 screws with washers.

5. Attach duct to transition with screws and seal with duct tape. Screws must not hamper the damper.

ES SERIES

	K	Z	W
ES30	2-11/16"	6-7/8"	29-1/16"
ES36	2-11/16"	6-7/8"	35-1/16"

VS SERIES

	K	Z	W
VS30	2-5/8"	7-1/16"	29-1/16"
VS36/VS1236	2-5/8"	7-1/16"	35-1/16"
VS48	2-5/8"	7-1/16"	47-1/16"

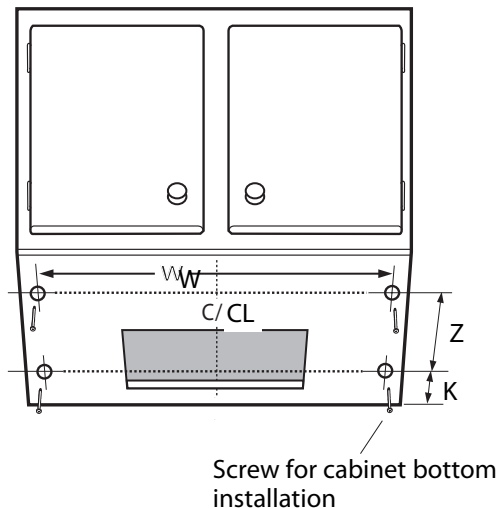
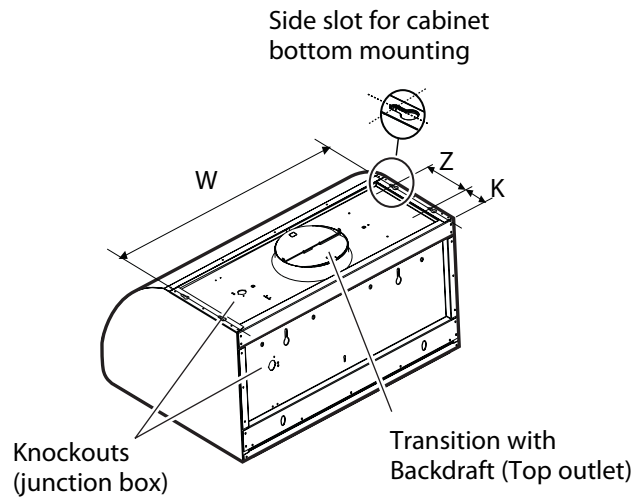


FIG. 8

INSTALLATION

INTEGRAL VENTILATOR INSTALLATION

The Integral ventilator can be mounted to discharge air as shown in Figure 9. From the inside of the hood, slip motor into the bracket on the left. Rotate motor upwards until it snaps into the spring clip on the right.

IMPORTANT: Secure the motor to the hood with the machine screw and lock washer.

WIRING THE HOOD:

 **WARNING:**

Turn off electricity at the service panel before wiring the unit.
Branch circuit requirement is 120V, 60Hz, 15A (minimum).

1. Connect the Integral Ventilator mox plug connector to the connector present inside the hood as shown in Figure 9 or Figure 10.
2. Remove the j-box cover as shown in Figure 11.
3. Remove 1 of 2 knockouts and install 1/2" conduit connector in j-box.
4. Run black, white, and green wires (#18 AWG) in 1/2" conduit from power supply to j-box.
5. Connect the black to black (hot line) wire, white to white (common line) wire and green/yellow wire to ground in j-box cover.
6. Close j-box cover.
7. For ES36 only: mount the filter trim bracket supplied on the right side of the hood. Check that all engage points perfectly match, then fix with 3 screws as shown in figure 12.

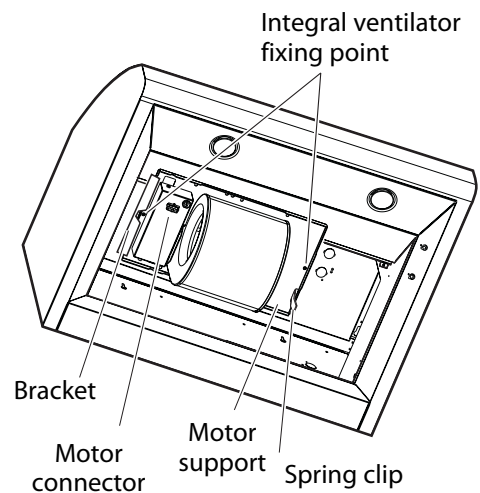


FIG. 9

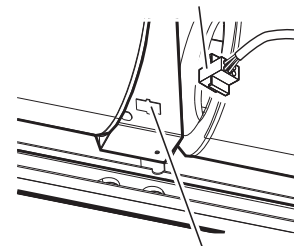


FIG. 10

Final installation steps

Replace filters and grease trays as described in the Use & Care manual. Turn power on at service panel. Check operation of the hood.

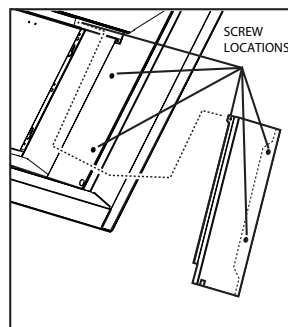


FIG. 12

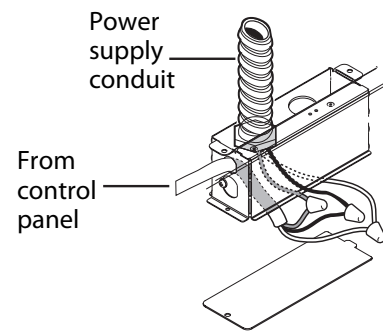


FIG. 11

HOW TO OBTAIN SERVICE

BEFORE YOU CALL FOR SERVICE

- Is the circuit breaker tripped or the fuse blown?
- Is there a power outage in the area?

For warranty service, please contact your local service provider or DCS Customer Care Representative at (888) 281-5698. Before you call, please have the following information ready:

- Model Number (located on the inner back panel, behind grease filters, below motor assembly)
- Serial Number (located on the inner back panel, behind grease filters, below motor assembly)
- Date of installation
- A brief description of the problem
- Proof of purchase

Your satisfaction is of the utmost importance to us. If a problem cannot be resolved to your satisfaction, please call, write or email us at:

Write:

Fisher & Paykel Appliances, Inc.
Attention: DCS Customer Care
5900 Skylab Road
Huntington Beach, CA 92647

email: support@dcsappliances.com

WARRANTY

LIMITED WARRANTY

When you purchase a new DCS Ventilation Product for personal or consumer use you automatically receive a One year Limited Warranty covering parts and labor for the entire product, and a Five year Limited Warranty on the switches and motor (parts only) for servicing within the 48 mainland United States, Hawaii, Washington D.C and Canada. In Alaska the Limited Warranty is the same except that you must pay to ship the Product to the service shop or for the service technician's travel to your home. Products for use in Canada must be purchased through the Canadian distribution channel to ensure regulatory compliance.

If the Product is installed in a motor vehicle, boat or similar mobile facility, you receive the same One year Limited Warranty, but you must bring the vehicle, boat or mobile facility containing the Product to the service shop at your expense or pay the service technician's travel to the location of the Product.

FISHER & PAYKEL UNDERTAKES TO:

Repair without cost to the owner either for material or labor any part of the Product, the serial number of which appears on the Product, which is found to be defective. In Alaska, you must pay to ship the Product to the service shop or for the service technician's travel to your home. If the Product is installed in a motor vehicle, boat or similar mobile facility, you must bring it to the service shop at your expense or pay for the service technician's travel to the location of the Product. If we are unable to repair a defective part of the Product after a reasonable number of attempts, at our option we may replace the part or the Product, or we may provide you a full refund of the purchase price of the Product (not including installation or other charges).

This warranty extends to the original purchaser and any succeeding owner of the Product for products purchased for ordinary single-family home use. All service under this Limited Warranty shall be provided by Fisher & Paykel or its Authorized DCS Service Agent during normal business hours.

HOW LONG DOES THIS LIMITED WARRANTY LAST?

Our liability under this Limited Warranty for the entire product expires One Year from the date of purchase of the Product by the first consumer. Our liability under this Limited Warranty for the switches and motor (parts only) expires Five Years from the date of purchase of the Product by the first consumer.

Our liability under any implied warranties, including the implied warranty of merchantability (an unwritten warranty that the Product is fit for ordinary use) also expires One Year (or such longer period as required by applicable law) from the date of purchase of the Product by the first consumer. Some states do not allow limitations on how long an implied warranty lasts, so this limit on implied warranties may not apply to you.

THIS WARRANTY DOES NOT COVER:

- A. Service calls that are not related to any defect in the Product. The cost of a service call will be charged if the problem is not found to be a defect of the Product. For example:
1. Correct faulty installation of the Product.
 2. Instruct you how to use the Product.
 3. Replace house fuses, reset circuit breakers, correct house wiring or plumbing, or replace light bulbs.
 4. Correct fault(s) caused by the user.
 5. Change the set-up of the Product.
 6. Unauthorized modifications of the Product.

WARRANTY

7. Noise or vibration that is considered normal, for example, drain/fan sounds, regeneration noises or user warning beeps.
 8. Correcting damage caused by pests, for example, rats, cockroaches etc.
- B. Defects caused by factors other than:
1. Normal domestic use or
 2. Use in accordance with the Product's Use and Care Guide.
- C. Defects to the Product caused by accident, neglect, misuse, fire, flood or Act of God.
- D. The cost of repairs carried out by non-authorized repairers or the cost of correcting such unauthorized repairs.
- E. Travel Fees and associated charges incurred when the product is installed in a location with limited or restricted access. (i.e. airplane flights, ferry charges, isolated geographic areas).
- F. Normal recommended maintenance as set forth in the Product's Use and Care Guide.

If you have an installation problem contact your dealer or installer. You are responsible for providing adequate electrical, exhausting and other connection facilities. We are not responsible for consequential or incidental damages (the cost of repairing or replacing other property damaged if the Product is defective or any of your expenses caused if the Product is defective). Some states do not allow the exclusion or limitation of incidental or consequential damages, so the above limitation or exclusion may not apply to you.

HOW TO GET SERVICE

Please read your Use and Care Guide. If you then have any questions about operating the Product, need the name of your local DCS Authorized Service Agent, or believe the Product is defective and wish service under this Limited Warranty, please contact your dealer or call us at:

TOLL FREE 1-888-281-5698 or contact us through our web site: www.dcsappliances.com.

You may be required to provide reasonable proof of the date of purchase of the Product before the Product will be serviced under this Limited Warranty.

COMMERCIAL USE

This warranty applies to appliances used in residential applications; it does not cover their use in commercial situations.

NO OTHER WARRANTIES

This Limited Warranty is the complete and exclusive agreement between you and Fisher & Paykel Appliances, Inc. regarding any defect in the Product. None of our employees (or our Authorized Service Agents) are authorized to make any addition or modification to this Limited Warranty.

Warrantor: Fisher & Paykel Appliances, Inc.

If you need further help concerning this Limited Warranty, please call us at the above number, or write to:

Fisher & Paykel Appliances, Inc.
5900 Skylab Road, Huntington Beach, CA 92647

This Limited Warranty gives you specific legal rights, and you may also have other rights which vary from state to state.



HOTTE DE VENTILATION SÉRIE PROFESSIONNELLE ET EUROPÉENNE

Guide d'installation



MODÈLES :

VS30

VS1236

VS36

ES30

VS48

ES36



À L'INTENTION DE NOS CLIENTS

Nous vous remercions d'avoir choisi cette hotte à évacuation professionnelle DCS. Nous avons conçu ce Manuel d'installation pour expliquer ses fonctions uniques. Il contient des informations extrêmement utiles sur la façon d'installer correctement votre nouvel appareil. Vous pourrez ainsi en profiter pendant des années en toute sécurité. Gardez ce manuel à portée de main afin de rapidement trouver réponse à vos questions durant l'utilisation de votre nouvel appareil.

Si vous avez des questions au sujet de notre produit, communiquez avec un représentant du service à la clientèle DCS par téléphone : 1-888-281-5698, par courriel : support@dcsappliances.com, ou par courrier :

Fisher & Paykel Appliances, Inc.
Attention: DCS Customer Care
5900 Skylab Road
Huntington Beach, CA 92647 www.dcsappliances.com

REMARQUE : Veuillez noter les numéros de modèle et de série sur cette page pour information (situé sur le panneau arrière interne, derrière les filtres à graisses, sous l'ensemble moteur)

NUMÉRO DE MODÈLE _____

NUMÉRO DE SÉRIE _____

AUTORISÉ POUR APPAREILS ÉLECTROMÉNAGERS INTÉRIEURS ET POUR USAGE RÉSIDENTIEL SEULEMENT.

VEUILLEZ LIRE TOUTES LES INSTRUCTIONS AVANT DE COMMENCER.
L'installation doit être conforme aux codes en vigueur.



AVERTISSEMENT

Si les informations de ce manuel ne sont pas suivies à la lettre, un incendie ou une explosion peuvent se produire et causer des dommages matériels, des blessures ou la mort.

Évitez de stocker ou d'utiliser de l'essence ou tout autre liquide et vapeur inflammable à proximité de cet appareil électroménager ou de tout autre.



DANGER

Si vous sentez une odeur de gaz :

- N'essayez pas d'allumer aucun appareil électroménager.
- Ne touchez aucun interrupteur électrique; n'utilisez aucun téléphone dans l'édifice.
- Appelez immédiatement votre fournisseur de gaz de chez un voisin. Suivez les instructions du fournisseur de gaz.
- Si vous n'arrivez pas à joindre votre fournisseur de gaz, appelez les pompiers.
- Toute installation ou service doit être confié à un installateur qualifié, un organisme de service ou le fournisseur de gaz.

VEUILLEZ CONSERVER CE MANUEL À TITRE DE RÉFÉRENCE.

À L'INTENTION DE NOS CLIENTS



AVERTISSEMENT RELATIF À LA SÉCURITÉ :

Coupez le circuit électrique au niveau du panneau de service et verrouillez le panneau avant de brancher cet appareil électroménager.
Alimentation : Circuit de branchement de 120 V c.a., 60 Hz, 15 A.



AVERTISSEMENT

Pour réduire les risques de blessures en cas de feu de graisse sur la cuisinière, respectez les consignes suivantes : Éteignez d'abord le brûleur. Étouffez les flammes à l'aide d'un couvercle hermétique, d'une plaque à biscuits ou d'un plateau métallique. Attention à ne pas vous brûler. Si les flammes ne s'éteignent pas immédiatement, évacuez les lieux et appelez les pompiers. Ne prenez jamais en main une poêle ou une casserole qui a pris feu - Vous pourriez vous brûler. N'UTILISEZ PAS D'EAU, y compris des serviettes mouillées; une explosion de vapeur violente pourrait en résulter. Utilisez un extincteur SEULEMENT si :

- 1) Vous êtes sûr qu'il s'agit d'un extincteur de classe ABC et savez comment le faire fonctionner.
- 2) Ce n'est pas un très gros incendie et qu'il se limite à l'endroit où il s'est déclenché.
- 3) Vous êtes en train d'avertir les pompiers.
- 4) Vous pouvez combattre l'incendie le dos tourné vers une sortie.

TABLE DES MATIÈRES

CONSIGNES DE SÉCURITÉ	3-5
DIMENSIONS DU PRODUIT	6
PIÈCES	7
AVANT D'INSTALLER LA HOTTE.....	8-9
INSTALLATION	10-15
MONTAGE MURAL	10-12
AVANT D'INSTALLER LA HOTTE	13-14
INSTALLATION DU VENTILATEUR INTÉGRAL	14-15
POUR L'OBTENTION DE SERVICE.....	16
GARANTIE.....	17-18

MESURES DE SÉCURITÉ ET DE PRÉCAUTION

MISE EN GARDE :

Pour ventilation générale seulement. **N'UTILISEZ** pas l'appareil pour évacuer des substances ou vapeurs dangereuses ou explosives.



AVERTISSEMENT :

Pour réduire les risques d'incendie, de choc électrique ou de blessures, respectez les consignes suivantes :

- A. Utilisez l'appareil strictement selon les consignes du fabricant et communiquez avec celui-ci si vous avez des questions.
- B. Avant tout entretien ou nettoyage, coupez le courant au niveau du panneau de service et verrouillez le dispositif de sectionnement pour éviter une mise sous tension accidentelle. S'il ne peut être verrouillé, fixez solidement un avertissement clairement visible (une étiquette, p. ex.) au panneau de service.
- C. L'installation et le câblage électrique doivent être effectués par des personnes qualifiées conformément aux codes et normes en vigueur, y compris les constructions classées résistant au feu.
- D. Pour éviter le refoulement d'air, une quantité d'air suffisante est nécessaire pour assurer une bonne combustion et l'évacuation des gaz à travers le carneau (cheminée) de l'appareil. Suivez les consignes du fabricant de l'appareil de cuisson ainsi que les normes de sécurité comme celles publiées par la National Fire Protection Association (NFPA) et la American Society for Heating, Refrigeration and Air Conditioning Engineers (ASHRAE), ainsi que les normes locales.
- E. Lorsque vous découpez ou percez les murs ou le plafond, évitez d'endommager le câblage électrique et autres installations des services publics pouvant être dissimulées.
- F. Les systèmes à conduits doivent toujours être évacués vers l'extérieur.

MISE EN GARDE :

Pour réduire les risques d'incendie et pour assurer une bonne évacuation de l'air, veillez à ce que l'air soit acheminé vers l'extérieur. Ne rejetez pas l'air évacué dans les espaces entre les murs ou les plafonds, ni dans les greniers, les galeries ou les garages.



AVERTISSEMENT :

Pour réduire les risques d'incendie, utilisez des conduits métalliques uniquement.

Installez cette hotte conformément à toutes les exigences spécifiées.



AVERTISSEMENT :

Afin de réduire les risques d'incendie ou de choc électrique, évitez d'utiliser cette hotte avec un appareil externe de contrôle de vitesse transistorisé.

MESURES DE SÉCURITÉ ET DE PRÉCAUTION



AVERTISSEMENT :

Pour réduire les risques de feu de graisse sur la cuisinière :

- A. Ne laissez jamais les plaques de cuisson sur réglage élevé sans surveillance. L'ébullition peut provoquer des débordements graisseux pleins de fumée pouvant prendre feu. Chauffez l'huile lentement, à feu doux ou moyen.
- B. Allumez toujours la hotte lorsque vous cuisez à feu vif ou que vous cuisinez des plats flambés (par ex. crêpes Suzette, cerise jubilé, steak au poivre flambé).
- C. Nettoyez régulièrement les ailes des ventilateurs. Ne laissez pas s'accumuler la graisse sur le ventilateur ou le filtre.
- D. Utilisez des récipients de taille appropriée. Utilisez toujours des ustensiles de cuisson dont la taille est appropriée à la surface de votre élément de cuisson.



AVERTISSEMENT :

Pour réduire les risques de blessures au cas où la cuisinière prendrait feu, respectez les consignes suivantes :

- A. ÉTOUFFEZ LES FLAMMES à l'aide d'un couvercle hermétique, d'une plaque à biscuits ou d'un plateau métallique, puis éteignez le brûleur ou l'élément chauffant. ATTENTION À NE PAS VOUS BRÛLER. Si les flammes ne s'éteignent pas immédiatement, ÉVACUEZ LES LIEUX ET APPELEZ LES POMPIERS.
- B. NE PRENEZ JAMAIS EN MAIN UNE POÊLE OU UNE CASSEROLE QUI A PRIS FEU - Vous pourriez vous brûler.
- C. N'UTILISEZ PAS D'EAU, ni torchons ou serviettes mouillées - vous provoqueriez une violente explosion de vapeur. Ne versez pas d'eau sur les feux de graisse. Le mélange de graisse brûlante et d'eau provoquera une explosion.
- D. Utilisez un extincteur SEULEMENT si :
 - 1) Vous êtes sûr qu'il s'agit d'un extincteur de classe ABC et savez comment le faire fonctionner.
 - 2) L'incendie est limité et se limite à l'endroit où il s'est déclenché.
 - 3) Vous êtes en train d'avertir les pompiers.
 - 4) Vous pouvez combattre l'incendie le dos tourné vers une sortie.

REMARQUE : L'appareil DOIT évacuer l'air vers l'extérieur du bâtiment.

IMPORTANT : Reportez-vous aux informations sur les conduits indiquées dans ce manuel (page 9).



AVERTISSEMENT :

Pour réduire les risques de choc électrique ou de blessures, les hottes à évacuation doivent être installées avec des ventilateurs dont l'utilisation avec ces hottes a été approuvée.

MISE EN GARDE :

Afin de réduire les risques d'incendie et de choc électrique, installez cette hotte seulement sur des modèles dotés de ventilateurs à distance spécifiés par le fabricant.

MESURES DE SÉCURITÉ ET DE PRÉCAUTION

Ce système de hotte est conçu pour évacuer la fumée, les vapeurs de cuisson et les odeurs provenant de la table de cuisson.



AVERTISSEMENT :

Toutes les ouvertures murales et de plancher où est installée la hotte doivent être scellées.

Avant d'effectuer les découpes, consultez les instructions de montage de la table de cuisson ou de la cuisinière fournies par le fabricant. **INSTALLATION DANS UNE MAISON MOBILE** - L'installation de cette hotte doit respecter les normes Manufactured Home Construction and Safety Standards, Titre 24 CFR, Section 3280 (ancienne appellation : Federal Standard for Mobile Home Construction and Safety, Titre 24, HUD, Section 280). Une alimentation à trois fils doit être utilisée et le câblage de l'appareil doit être révisé. Voir les exigences électriques à la page 1.

- **N'UTILISEZ PAS** de chapeaux de mur de 4 po.
- Les conduits flexibles ne sont pas recommandés.
- **ÉVITEZ** d'obstruer le flot d'air de combustion et de ventilation. Assurez toujours un apport d'air frais.
- Le non-respect des exigences de ventilation peut causer un incendie.
- Cette hotte exige une mise à la terre électrique.
- **ÉVITEZ** d'utiliser le tuyau d'eau froide comme prise de terre s'il est interrompu par des joints non métalliques en plastique ou d'autres matériaux.
- **N'UTILISEZ PAS** le tuyau de gaz comme prise de terre.
- **ÉVITEZ** de placer un fusible dans le circuit neutre ou de terre car cela pourrait provoquer un choc électrique.
- Consultez un électricien qualifié si vous avez des doutes concernant la mise à la terre de la hotte.
- Le non-respect des exigences électriques peut causer un incendie.
- Assurez-vous que les boutons de la cuisinière ou de la table de cuisson sont fermés et que l'appareil est froid avant d'utiliser des nettoyants aérosol sur l'appareil ou à proximité. L'élément chimique qui produit le jet de vaporisation peut, en présence de chaleur, s'enflammer ou provoquer la corrosion des parties métalliques.
- Nettoyez fréquemment la hotte et les filtres de ventilation surplombant la cuisinière ou table de cuisson afin d'empêcher toute accumulation de graisse provenant des vapeurs de cuisson.
- **ÉTEIGNEZ** le ventilateur en cas d'incendie ou si vous flambez intentionnellement des liqueurs ou des spiritueux sur la table de cuisson. Si le ventilateur est en marche, il pourrait en effet répandre les flammes.
- Les réparations doivent être effectuées par des techniciens agréés uniquement. Ceux-ci doivent débrancher le bloc d'alimentation avant de travailler sur l'appareil.

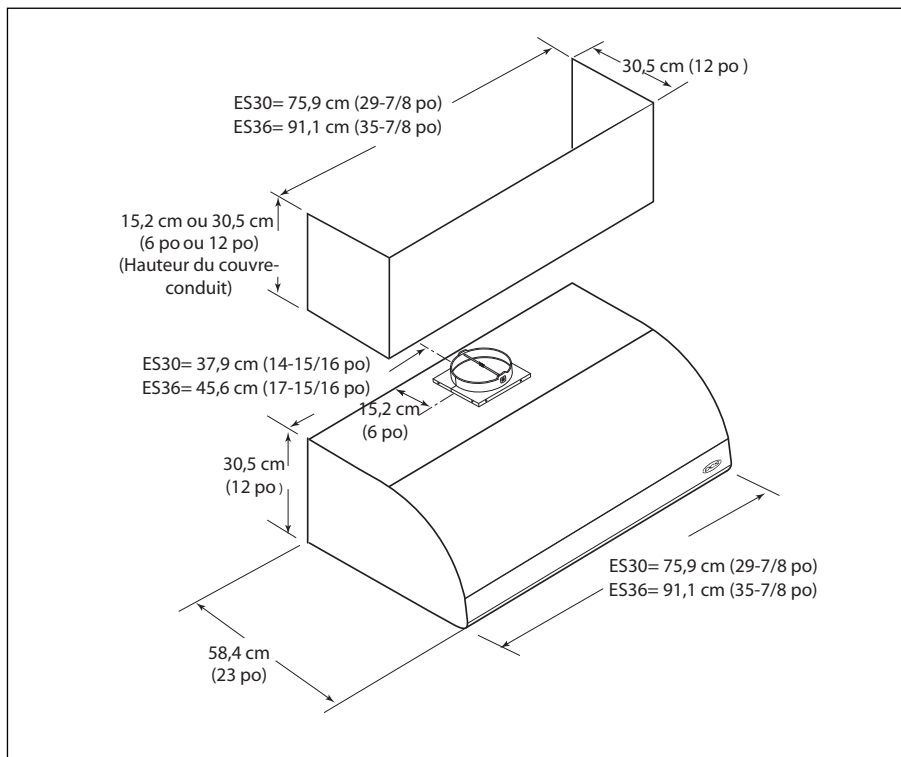


AVERTISSEMENT :

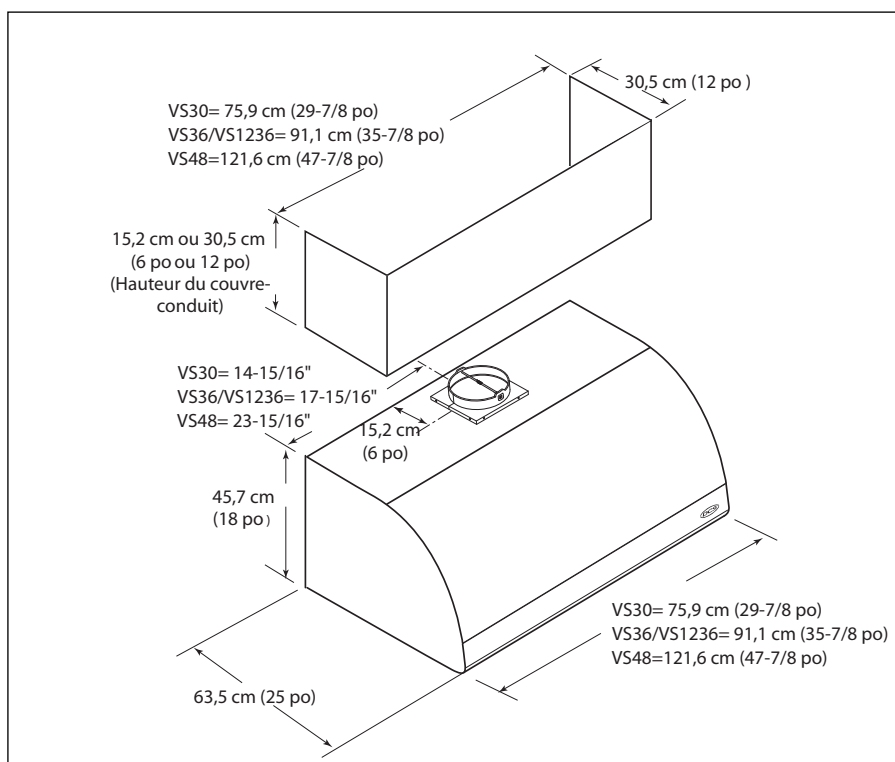
Proposition 65 de la Californie - L'incinération de gaz de cuisson génère des sous-produits considérés par l'État de Californie comme pouvant causer le cancer ou des malformations congénitales. Les lois de Californie exigent que les entreprises avertissent leurs clients qu'ils risquent d'être exposés à de telles substances. Pour minimiser l'exposition à ces substances, faites toujours fonctionner l'appareil conformément aux instructions contenues dans ce manuel et assurez une bonne ventilation lorsque vous cuisinez au gaz.

DIMENSIONS DU PRODUIT

HOTTE À ÉVACUATION EUROPÉENNE



HOTTE À ÉVACUATION À MONTAGE MURAL



PIÈCES INCLUSES AVEC LA HOTTE

- Toit d'évacuation de la hotte avec ampoules installées.
- Transition métallique avec registres antirefoulement (déjà installés sur ES30, ES36, VS30, VS36)
- Instructions d'utilisation et entretien, et d'installation
- Filtres (quantité en fonction du modèle et de la dimension)
- Vis et ancrages pour cloison sèche
- Morceau de bois pour support de la hotte
- Récipients à graisse (quantité en fonction du modèle et de la dimension)
- Support latéral de filtre (modèle ES36 seulement - Installez-le sur l'appareil une fois les connexions électriques effectuées, page 15)
- Ventilateur intégral

PIÈCES NON INCLUSES AVEC LA HOTTE

- Conduits (voir la page 9 pour les exigences en matière de conduit : 8 po ou 10 po Ø).
- Ruban pour conduits
- Conduit 1/2 po
- Serres-fils
- Couvre-conduit en option, 6 ou 12 po de hauteur
 - VDC1230 – Kit de couvre-conduit 12 po pour VS30/ES30
 - VDC1236 – Kit de couvre-conduit 12 po pour VS36/VS1236/ES36
 - VDC1248 – Kit de couvre-conduit 12 po pour VS48
 - VDC630 – Kit de couvre-conduit 6 po pour VS30/ES30
 - VDC636 – Kit de couvre-conduit 6 po pour VS36/VS1236/ES36
 - VDC648 – Kit de couvre-conduit 6 po pour VS48
- Kit IR en option + support (ampoules infrarouges incluses; utilisez seulement des ampoules infrarouges mod. 175R-PAR, 175 W maximum).
 - IR30 – Kit avec lampe chauffante simple 175 W pour VS30
 - IR36 – Kit avec lampe chauffante deux 175 W pour VS36/VS1236
 - IR48 – Kit avec lampe chauffante deux 175 W pour VS48

AVANT D'INSTALLER LA HOTTE

1. Pour assurer une évacuation d'air optimale, installez un conduit droit ou comprenant le moins de coudes possibles. La longueur maximale du conduit est de 12,2 m (40 pieds), y compris les coudes.

MISE EN GARDE :

Dirigez l'évacuation d'air vers l'extérieur du bâtiment seulement.

2. Il faut deux personnes pour l'installation.
3. La hotte est munie de vis et d'ancrages pour cloison sèche adéquats pour la plupart des surfaces. Consultez un installateur qualifié.
4. N'utilisez pas de conduits flexibles.
5. CLIMAT FROID : L'installation doit disposer d'un registre antirefoulement supplémentaire pour minimiser retour d'air froid et d'un isolant thermique non métallique pour réduire la conduction des températures extérieures à travers le conduit. Le registre doit être installé côté air froid (mur extérieur) de l'isolant thermique.

Placez l'isolant à un endroit aussi proche que possible du point d'entrée du conduit dans la partie chauffée de la maison.
6. Il se peut que les codes du bâtiment en vigueur exigent l'installation d'un système d'air d'appoint. Consultez votre spécialiste en chauffage, ventilation et climatisation en ce qui concerne les exigences particulières à votre région.
7. Il appartient à l'utilisateur de décider de la hauteur d'installation de la hotte au-dessus de la table de cuisson. Une hauteur d'installation plus basse contribue à améliorer l'efficacité avec laquelle les odeurs de cuisson, la graisse et la fumée sont capturées. Cette hotte est homologuée pour être installée à 76,2 cm (30 po) au-dessus de la table de cuisson. Les personnes de grande taille trouveront peut-être qu'une telle hauteur n'est pas pratique. DCS recommande une hauteur d'installation entre 76,2 et 91,4 cm (30 et 36 po).
8. Il n'est pas conseillé d'utiliser les modèles de hotte ES30 et ES36 au-dessus de grilles de cuisinière intérieures.
9. La hotte modèle VS1236 est recommandée pour une installation au-dessus des cuisinières et tables de cuisson DCS modèles RGS-364GL ou CS-364GL.
10. Assurez-vous que la cuisinière ou la table de cuisson est de niveau.

INSTALLATION TYPIQUE

La hotte peut être installée sur le mur ou suspendue sous une armoire de cuisine. Les conduits peuvent être configurés pour une évacuation verticale et horizontale.

Si vous avez acheté un kit infrarouge pour l'installer avec la hotte, fixez-le à celle-ci avant de procéder à l'installation.

Si vous optez pour une installation au mur, vous pouvez vous procurer des kits de couvre-conduit pour servir d'espaceurs entre la hotte et le plafond. Les couvre-conduits doivent être fixés à la hotte une fois celle-ci installée.

AVANT D'INSTALLER LA HOTTE

ELECTRICAL

Installez un conduit 1/2 po à partir du panneau de service suffisamment long pour atteindre la hotte une fois installé. Assurez une alimentation de 120 V 60 Hz, 15 A (min.).

LAMPE INFRAROUGE ET KIT DE PANNEAU

La lampe infrarouge et le kit de panneau en option peuvent être commandés séparément et installés dans votre hotte à évacuation. Modèles disponibles : IR30, IR36 et IR48. Voir les instructions fournies avec le kit en ce qui concerne l'installation sur la hotte.

AVERTISSEMENT

Pour éviter les risques de choc électrique, confiez l'installation de la lampe IR à un électricien qualifié, et ce, avant de commencer l'installation de la hotte.

CONDUITS

Modèles de hotte: Les modèles ES30, ES36, VS30 et VS36 sont fournis avec un collier de connexion et un registre antirefoulement sur le dessus de la hotte pour une connexion à un conduit rond de 8 po. Modèles : Les modèles VS1236 et VS48 sont fournis avec une pièce ronde de transition de 10 po avec registre et sont assemblés comme indiqué à la Fig.3.

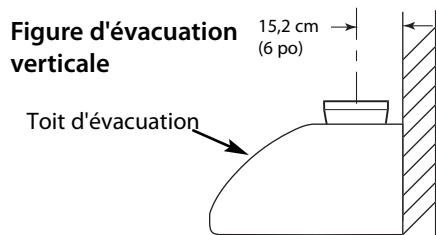


FIG. 1

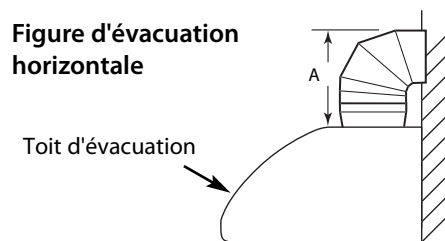


FIG. 2

Pour coude de 90°	A
10 po	40,6 cm (16 po)
8 po	27,9 cm (11 po)

Installez un conduit suffisamment long pour atteindre la pièce de transition une fois la hotte installée, plus 3,8 cm (1-1/2 po) pour le brancher au système de conduits.

ASSEMBLEZ LA PIÈCE DE TRANSITION À LA HOTTE (hottes modèles VS1236 et vs48 seulement)

La transition fournie avec la hotte doit être installée en haut de la hotte (figure 3).

1. Placez la transition sur l'évacuation de la hotte et fixez-la à l'aide des 4 vis fournies (figure 3).
2. Recouvrez la connexion entre transition et hotte de ruban pour conduits.
3. Enlevez le ruban retenant le registre.

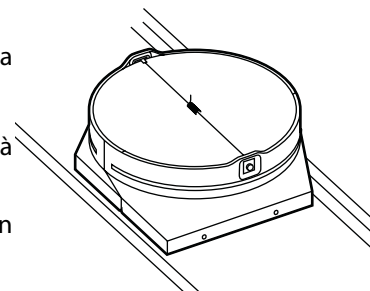
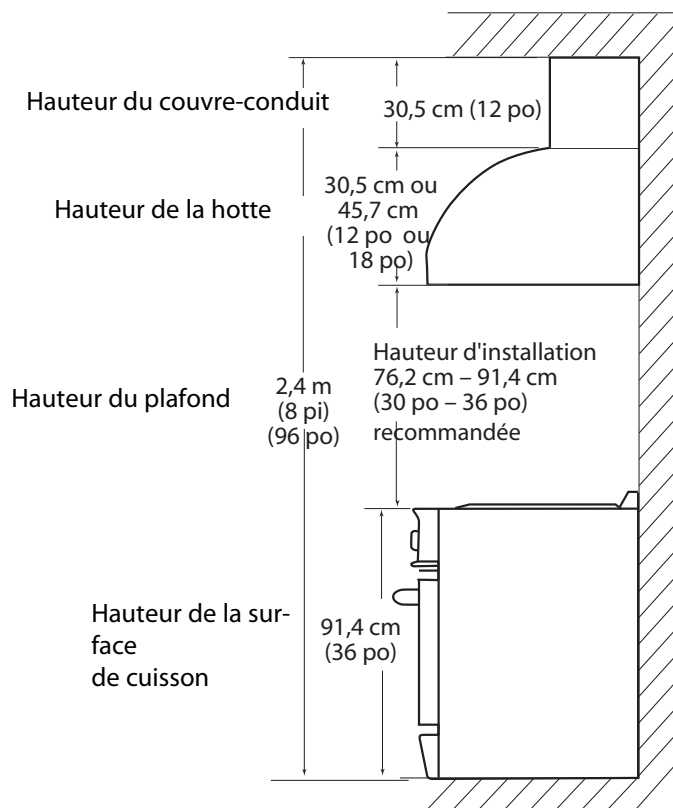


FIG. 3

INSTALLATION

MONTAGE MURAL

Calcul de la hauteur d'installation - La hauteur d'installation pour un plafond de cuisine standard de 2,4 m (8 pi) est indiquée ci-dessous à la figure X. La hauteur d'installation minimum permise est de 76,2 cm (30 po). Elle se situe généralement entre 76,2 et 91,4 cm (30 et 36 po).



Hauteur d'installation Figure X

Utilisez la formule suivante pour calculer la hauteur d'installation :

$$\text{Hauteur d'installation} = (\text{hauteur du plafond}) - (\text{hauteur de la surface de la table de cuisson}) - (\text{hauteur de la hotte}) - (\text{hauteur du couvercle})$$

$$\text{(Exemple: Hauteur d'installation} = 96 \text{ po} - 36 \text{ po} - 18 \text{ po} - 12 \text{ po} = 30 \text{ po)}$$

Hauteur de la hotte = 30,5 cm (12 po) pour les modèles ES30 et ES36
45,7 cm (18 po) pour les modèles VS30, VS36, VS1236 et VS48

Hauteur du couvercle – Les accessoires du couvercle sont disponibles en format 15,2 ou 30,5 cm (6 ou 12 po) de hauteur. Pour des plafonds plus hauts, vous pouvez joindre des couvercles en les combinant de plusieurs manières.

INSTALLATION

1. Hauteur d'installation de la hotte

Après avoir déterminé la hauteur d'installation de la hotte, tracez une ligne horizontale au-dessus de la table de cuisson égale à la hauteur d'installation voulue plus dimensions « E » (voir le tableau de la figure 4).

Cette ligne représente l'emplacement où sera installé le support en bois livré avec la hotte.

- Déterminez l'axe médian de la table de cuisson. Tracez une ligne verticale le long de cet axe médian jusqu'à la ligne horizontale tracée à l'étape 1.
- Montez la hotte sur le mur à l'aide du support en bois livré avec la hotte. Retirez le support de la hotte en enlevant les deux vis de transport. Marquez l'axe médian du support.
- Localisez les montants derrière le mur en tapant sur le mur ou en utilisant un localisateur de montants. Localisez un montant d'un côté ou de l'autre de l'axe médian de la table de cuisson qui servira à monter le support en bois tel qu'indiqué à la figure 4.
- Alignez le haut du support en bois le long de la ligne horizontale tracée à l'étape 1. Alignez les axes médians du support et de la table de cuisson.
- Percez un trou de 1/8 po de 3 po de profondeur dans le support en bois, le mur et le montant.
- Utilisez 2 à 4 vis à bois à tête plate 1/4 x 3 po pour fixer le support au mur tel qu'indiqué à la figure 4. Dans le cas de hottes plus longues, utilisez trois ou quatre montants dans la mesure du possible. Fraisez les têtes pour éviter toute interférence avec la hotte.
- Sur le support en bois, marquez les emplacement utilisés pour accrocher la hotte conformément à la figure 5 et au tableau correspondant.

MODÈLE DE HOTTE	DIM. « E »
Série VS	39,37 cm (15-1/2 po)
Série ES	26,35 cm (10-3/8 po)

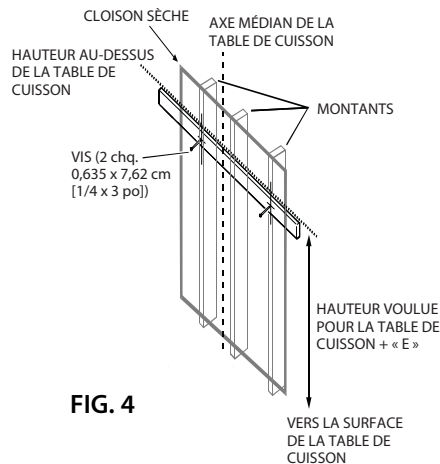


FIG. 4

MODÈLE DE HOTTE	DIM « F »
Série VS	19,37 cm (7-5/8 po)
Série ES	19,21 (7-9/16 po)

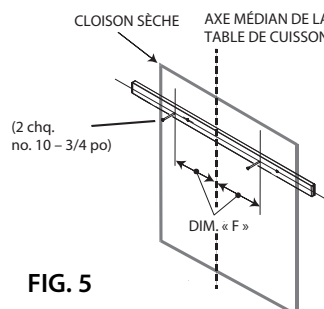


FIG. 5

INSTALLATION

- Percez un trou de 1/8 po dans le support en bois et le mur. Il n'est pas nécessaire que ces vis pénètrent dans les montants.
- Vissez deux vis à bois à tête ronde no. 10 X 3/4 po dans le support en bois en laissant 1/4 po des vis exposées pour accrocher la hotte.
- Accrochez la hotte à l'aide des fentes I de la figure 6. Assurez-vous que le support en bois peut s'insérer dans le renforcement à l'arrière de la hotte.
- Mettez la hotte de niveau et serrez les vis dans la fente I.
- De l'intérieur de la hotte, vissez 4 ou 6 vis à bois à tête ronde no. 10 x 3/4 po (selon le modèle) dans le support en bois à travers les trous J.
- Fixez le conduit à la transition à l'aide de vis et de ruban pour conduits. Les vis ne doivent pas gêner le registre.

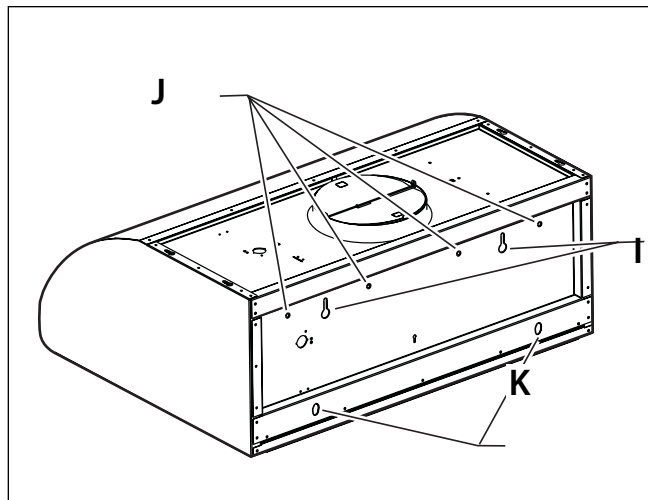


FIG. 6

- Percez un trou de 3/8 po dans le mur à travers le centre des trous K. Insérez deux pièces d'ancrage pour murs dans les trous percés. Fixez fermement la hotte aux ancrages à l'aide de 2 vis avec rondelles.

Allez à la page 14 pour poursuivre l'installation.

ASSEMBLAGE ET INSTALLATION DES COUVRE-CONDUITS :

Utilisez les couvre-conduits en option illustrés à la figure 7 pour remplir l'espace entre la hotte et le plafond dans le cas d'un montage mural. Les couvre-conduits de 6 po et 12 po sont disponibles et peuvent être commandés séparément.

- Si vous utilisez plusieurs couvre-conduits, connectez-les ensemble à l'aide des vis à tôle fournies avec les cheminées.
- Fixez le ou les couvre-conduits à la hotte à l'aide de vis à tôle tel qu'indiqué à la figure 7.

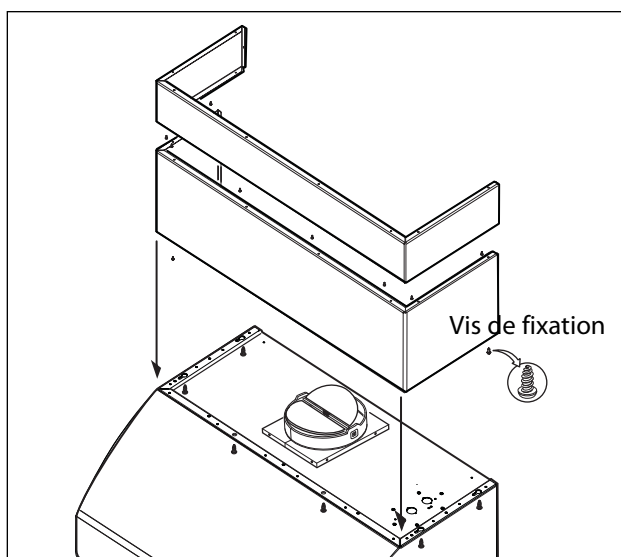


FIG. 7

INSTALLATION

AVANT D'INSTALLER LA HOTTE

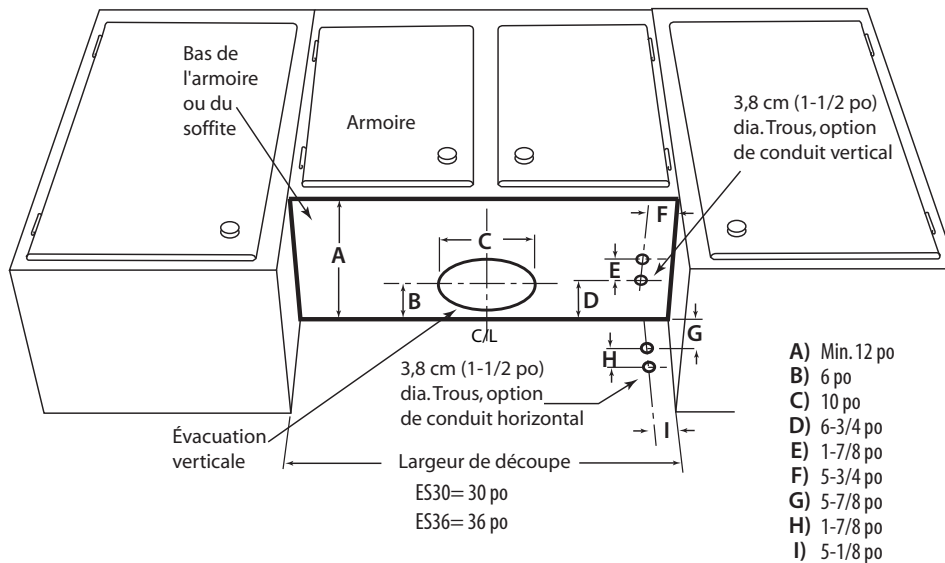
Préparation des armoires

! AVERTISSEMENT :

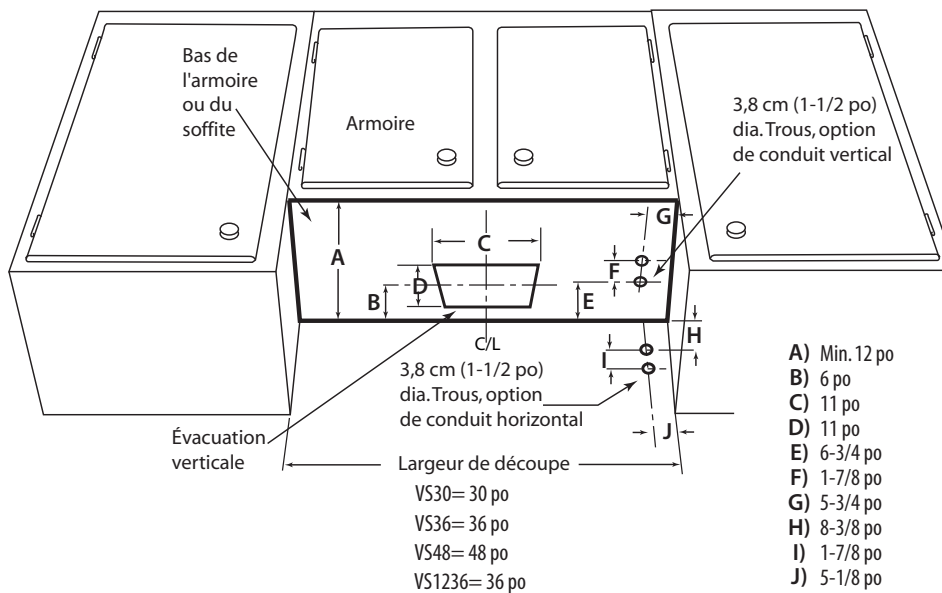
L'armoire doit être structurellement jointe aux montants du mur pour supporter le poids de cette hotte.

ES30/ES36 HOTTE DE SÉRIE

VS30/VS36 HOTTE DE SÉRIE



VS1236/VS48 HOTTE DE SÉRIE



INSTALLATION

INSTALLATION EN ARMOIRE

1. Déterminez l'axe médian de la partie inférieure de l'armoire. Tracez une ligne verticale le long de cet axe médian, de l'arrière à l'avant de l'armoire.
2. Reportez-vous à la partie supérieure de la hotte et à la figure 8. Tracez deux lignes, une à la distance 'K' à partir du mur, l'autre à la distance 'Z' à partir de la ligne précédente. REMARQUE : Ces lignes doivent être perpendiculaires à l'axe médian de l'armoire. Marquez 4 points, deux le long de chaque ligne à une distance égale à la moitié de W à partir de l'axe médian, afin de déterminer l'emplacement des vis.
3. Insérez quatre vis à bois à tête ronde no. 10 au bas de l'armoire. Ne serrez pas complètement et laissez un espace d'environ 1/2 po à partir de la surface inférieure de l'armoire et de la tête des vis.
4. Accrochez la hotte aux vis à travers les fentes latérales situées sur le haut de la hotte. Serrez les quatre vis.

Percez un trou de 3/8 po dans le mur à travers le centre des trous K. Insérez deux pièces d'ancrage pour murs dans les trous percés. Fixez fermement la hotte aux ancrages à l'aide de 2 vis avec rondelles.

5. Fixez le conduit à la transition à l'aide de vis et de ruban pour conduits. Les vis ne doivent pas gêner le registre.

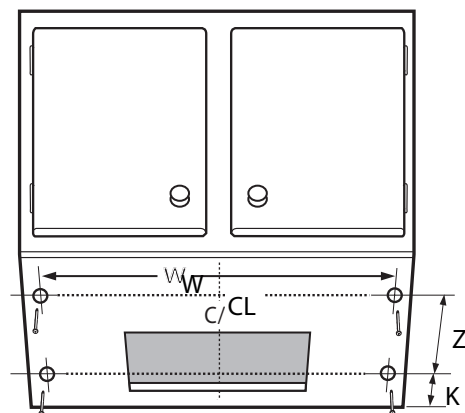
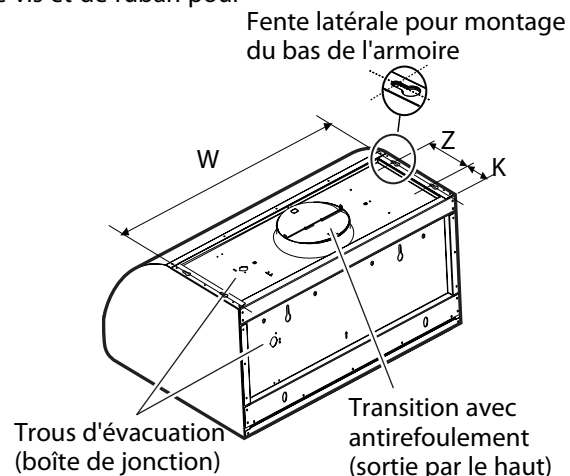
ES SERIES

	K	Z	W
ES30	2-11/16 po	6-7/8 po	29-1/16 po
ES36	2-11/16 po	6-7/8 po	35-1/16 po

VS SERIES

	K	Z	W
VS30	2-5/8 po	7-1/16 po	29-1/16 po
VS36/VS1236	2-5/8 po	7-1/16 po	35-1/16 po
VS48	2-5/8 po	7-1/16 po	47-1/16 po

gêner le registre.



Vis pour installation au bas de l'armoire

INSTALLATION DU VENTILATEUR INTÉGRAL

Le ventilateur intégral peut être monté de façon à évacuer l'air tel qu'indiqué à la figure 9. De l'intérieur de la hotte, glissez le moteur dans le support à gauche. Tournez le moteur vers le haut jusqu'à ce qu'il se mette en place d'un déclic dans l'attache-ressort à droite.

IMPORTANT : Fixez le moteur à la hotte à l'aide de la vis à métaux et de la rondelle de blocage. Branchez le con-

FIG. 8

INSTALLATION

CÂBLAGE DE LA HOTTE AVEC UN VENTILATEUR INTÉGRAL :

Le ventilateur intégral peut être monté de façon à évacuer l'air tel qu'indiqué à la figure 3. De l'intérieur de la hotte, glissez le moteur dans le support à gauche. Tournez le moteur vers le haut jusqu'à ce qu'il se mette en place d'un déclic dans l'attache-ressort à droite.

IMPORTANT : Fixez le moteur à la hotte à l'aide de la vis à métaux et de la rondelle de blocage.

CÂBLAGE DE LA HOTTE



AVERTISSEMENT :

Coupez le courant au niveau du panneau de service avant de câbler l'appareil. Assurez une alimentation de 120 V 60 Hz, 15 A (minimum).

1. Connectez la fiche de connexion mox du ventilateur intégral au connecteur qui se trouve à l'intérieur de la hotte tel qu'indiqué à la figure 9 ou à la figure 10.
2. Retirez la boîte de jonction tel qu'indiqué à la figure 11.
3. Enlevez 1 des 2 rondelles défonçables et installez un raccord de conduit 1/2 po dans la boîte de jonction.
4. Faites passer des fils noir, blanc et vert (18 AWG) dans un conduit 1/2 po du bloc d'alimentation à la boîte de jonction.
5. Connectez le fil noir sur noir (ligne sous tension), blanc sur blanc (ligne commune) et vert/jaune à la terre, dans le couvercle de la boîte de jonction.
6. Fermez le couvercle de la boîte de jonction.
7. Pour ES36 seulement : montez le support latéral de filtre fourni sur le côté droit de la hotte. Vérifiez que tous les points d'engagement correspondent parfaitement, puis fixez le tout à l'aide de trois vis tel qu'indiqué à la figure 12.

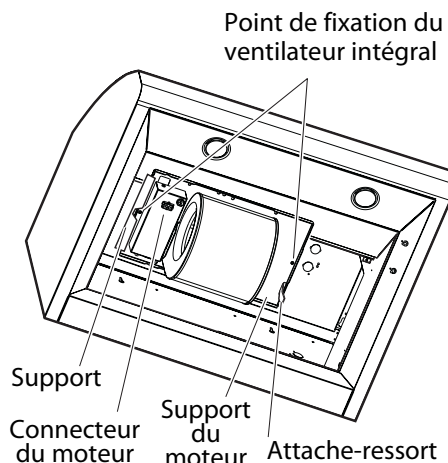


FIG. 9

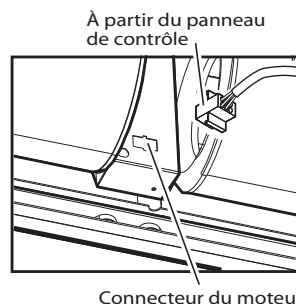


FIG. 10

Dernières étapes de l'installation

Remplacez les filtres et récipients à graisse tel que décrit dans le manuel d'utilisation et d'entretien. Rétablissez le courant au niveau du panneau de service. Vérifiez le bon fonctionnement de la hotte.

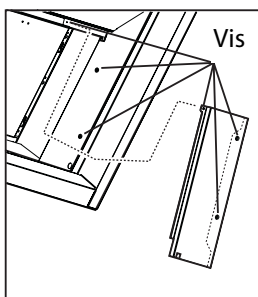


FIG. 12

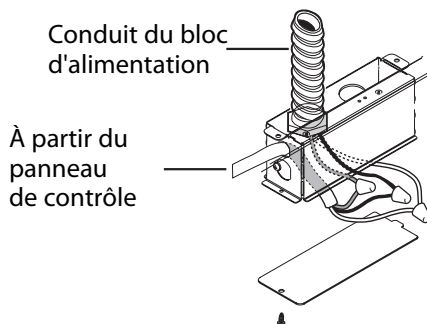


FIG. 11

POUR L'OBTENTION DE SERVICE

AVANT D'APPELER LE SERVICE TECHNIQUE

- Est-ce que le disjoncteur s'est déclenché ou que le fusible est grillé?
- Y a-t-il une coupure de courant dans le secteur?

Pour le service sous garantie, contactez votre distributeur ou le représentant du service à la clientèle DCS au (888) 281-5698. Avant d'appeler, veuillez avoir les informations suivantes à portée de main :

- Numéro de modèle (situé sur le panneau arrière interne, derrière les filtres à graisses, sous l'ensemble moteur)
- Numéro de série (situé sur le panneau arrière interne, derrière les filtres à graisses, sous l'ensemble moteur)
- Date d'installation
- Brève description du problème
- Preuve d'achat

Votre satisfaction revêt la plus grande importance pour nous. Si un problème n'est pas résolu à votre entière satisfaction, veuillez communiquer avec nous par téléphone, courrier ou courriel :

Écrivez-nous à l'adresse suivante :

Fisher & Paykel Appliances, Inc.

Attention: DCS Customer Care

5900 Skylab Road

Huntington Beach, CA 92647

Courriel : support@dcsappliances.com

GARANTIE LIMITÉE

Lors de l'achat d'un appareil de ventilation neuf DCS pour usage personnel ou non commercial, vous bénéficiez automatiquement d'une garantie limitée d'un an couvrant les pièces et la main d'œuvre pour l'intégralité du produit, et d'une garantie limitée de cinq ans sur les interrupteurs et le moteur (pièces seulement) valide dans les 48 états continentaux des États-Unis, ainsi que Hawaï, Washington D.C. et le Canada. La garantie limitée est la même en Alaska sauf que vous devez payer les frais d'expédition du produit à un centre de service ou les frais de déplacement d'un technicien dans le cas d'une visite à domicile. Les produits destinés à une utilisation au Canada doivent être achetés auprès d'un distributeur canadien afin de respecter la réglementation en vigueur.

Si le produit est installé dans un véhicule ou bateau à moteur, ou une installation mobile similaire, vous bénéficiez de la même garantie limitée d'un an, mais vous devrez acheminer à vos frais ledit véhicule, bateau ou installation mobile contenant le produit jusqu'au centre de service ou payer les frais de déplacement du technicien jusqu'à l'emplacement où se trouve le produit.

FISHER & PAYKEL S'ENGAGE À :

entreprendre à ses frais (pièces et main-d'oeuvre) toutes réparations du produit (sur lequel figure le numéro de série) jugé défectueux. En Alaska, vous devez payer les frais d'expédition du produit à un centre de service ou les frais de déplacement d'un technicien dans le cas d'une visite à domicile. Si le produit est installé dans un véhicule ou bateau à moteur, ou une installation mobile similaire, vous devez l'acheminer à vos frais jusqu'au centre de service ou payer les frais de déplacement du technicien jusqu'à l'emplacement où se trouve le produit. Si nous sommes dans l'incapacité de réparer une pièce défectueuse du produit après un nombre raisonnable de tentatives, nous pourrions, à notre choix, remplacer la pièce ou le produit, ou vous rembourser entièrement le prix d'achat du produit (à l'exclusion des frais d'installation ou autres frais.)

Cette garantie s'applique à l'acheteur initial et à tous les propriétaires successifs du produit dans la mesure où il s'agit d'un produit acheté pour une utilisation à domicile normale. Tout service couvert par cette garantie limitée sera assuré par Fisher & Paykel ou son agent de service DCS agréé durant les heures d'ouverture normales.

QUELLE EST DURÉE DE CETTE GARANTIE LIMITÉE?

Notre responsabilité en vertu de cette garantie limitée concernant l'intégralité du produit expire UN AN à partir de la date d'achat du produit par le premier acheteur. Notre responsabilité en vertu de cette garantie limitée concernant les interrupteurs et le moteur (pièces seulement) expire CINQ ANS à partir de la date d'achat du produit par le premier acheteur.

Notre responsabilité en vertu de toute garantie implicite, y compris la garantie implicite de qualité marchande (la garantie tacite selon laquelle le produit est approprié pour un usage normal) expire également UN AN (ou une période plus longue si requis par la loi) à partir de la date d'achat du produit par le premier acheteur. Certaines juridictions ne permettent pas la limitation de la garantie implicite, il est donc possible que la limitation ci-dessus sur les garanties implicites ne s'applique pas à vous.

NE SONT PAS COUVERTS PAR LA GARANTIE :

A. Les appels de service n'ayant aucun rapport avec un défaut éventuel du produit. Le coût de l'appel de service sera facturé s'il se trouve que le problème n'est pas dû à un défaut du produit. Par exemple :

1. Corriger une mauvaise installation du produit.
2. Montrer comment utiliser le produit.

GARANTIE

3. Remplacer des fusibles du domicile, réarmer les disjoncteurs, réparer les fils électriques ou la plomberie du domicile, ou remplacer des ampoules.
 4. Corriger des anomalies causées par l'utilisateur.
 5. Changer la configuration du produit.
 6. Modifications non autorisées du produit.
 7. Bruits ou vibrations considérés comme normaux, par exemple les bruits de drain ou de ventilateur, les bruits de régénération (vibrations, sifflements) ou les signaux d'avertissement à l'intention de l'utilisateur.
 8. Corriger des dommages causés par des animaux nuisibles, par exemple des rats, des coquerelles, etc.
- B. Défauts causés par des facteurs autres que :
1. Utilisation domestique normale ou
 2. Utilisation conformément aux indications du guide de l'utilisateur.
- C. Défauts du produit pour cause d'accident, négligence, mauvaise utilisation, incendie, inondation ou calamité naturelle.
- D. Les coûts des réparations effectuées par des techniciens non autorisés ou le coût de correction de ces réparations non autorisées.
- E. Les frais de voyage et les frais connexes encourus lorsque le produit est installé dans un lieu à accès illimité ou restreint (déplacement par avion ou par bateau, régions géographiques isolées, etc.).
- F. Entretien normal recommandé par le guide l'utilisateur.

Contactez votre distributeur ou votre installateur en cas de problème d'installation. Il vous incombe d'assurer une installation électrique, une ventilation et toute autre connexion appropriées. Nous ne sommes pas responsables des dommages indirects ou accessoires (coût de réparation ou de remplacement d'autres biens endommagés parce que le produit était défectueux ou tout autre coût que vous auriez encouru parce que le produit était défectueux). Certaines juridictions interdisent l'exclusion ou la restriction de la responsabilité des dommages indirects ou accessoires; l'exclusion ou la restriction indiquée ci-dessus peut donc ne pas s'appliquer à votre cas particulier.

POUR OBTENIR DES RÉPARATIONS

Veillez consulter le guide de l'utilisateur. Si vous avez des questions concernant l'utilisation du produit, que vous cherchez le nom de l'agent de service DCS agréé local ou que pensez que le produit est défectueux et désirez le faire réparer dans le cadre de cette garantie limitée, veuillez contacter votre distributeur ou nous appeler au numéro suivant :

(NUMÉRO SANS FRAIS) **1-888-281-5698** ou contactez-nous par l'intermédiaire de notre site Web : www.dcsappliances.com.

Vous devrez peut-être présenter une preuve raisonnable de la date d'achat du produit avant de pouvoir bénéficier d'une réparation dans le cadre de cette garantie limitée.

UTILISATION COMMERCIALE

Cette garantie s'applique à des appareils électroménagers utilisés à domicile; elle ne couvre pas les cas d'utilisation commerciale.

AUCUNE AUTRE GARANTIE

Cette garantie limitée constitue l'accord entier et exclusif entre vous et Fisher & Paykel Appliances, Inc. en ce qui concerne tout défaut du produit. Aucun de nos employés (ou agents de service agréés) n'est autorisé à apporter des ajouts ou des modifications à cette garantie limitée.

Garant : Fisher & Paykel Appliances, Inc.

Si vous avez besoin d'aide au sujet de cette garantie illimitée, veuillez nous appeler au numéro ci-dessus ou nous écrire à l'adresse suivante :

Fisher & Paykel Appliances, Inc.
5900 Skylab Road, Huntington Beach, CA 92647
États-Unis

Cette garantie limitée vous donne des droits juridiques spécifiques et vous pouvez bénéficier d'autres droits qui varient d'une juridiction à l'autre.

REMARQUE

REMARQUE



Quality provided by Fisher & Paykel Appliances Inc.

Fisher & Paykel Appliances, Inc.
5900 Skylab Road, Huntington Beach, CA 92647
Customer Care: 888.281.5698
Fax: 714.372.7003
www.dcsappliances.com

As product improvement is an ongoing process, we reserve the right to change specifications or design without notice.

Nous améliorons constamment ses produits et se réserve le droit de modifier les spécifications ou la conception de ses produits sans aucun préavis.