



SUMMIT CLASSIC COLLECTION

Owner's Manual

Outdoor Models

CL65ROS : Refrigerator

CL63FDOS : Wine Cooler & Beverage Center

**BEFORE USE, PLEASE READ AND FOLLOW
ALL SAFETY RULES AND OPERATING INSTRUCTIONS**

Write the Serial Number here:

Felix Storch, Inc.
Summit Appliance Division
770 Garrison Avenue
Bronx, NY 10474
www.summitappliance.com

Table of contents

Safety instruction and warnings	2 - 3
Transporting and unpacking	4
Installation instructions	5 -7
<i>Before installation of your appliance</i>	5
<i>Tools you will need</i>	5
<i>Built-in installation dimensions</i>	6
<i>Replacing cabinet legs with casters</i>	7
<i>Electrical connection</i>	7
Reversing the door (model CL65ROS only)	8
Operation	9-10
<i>Operating conditions</i>	9
<i>Control elements</i>	9
<i>Setting the temperature</i>	9
<i>Functions</i>	10
<i>Defrosting</i>	10
<i>Shelves</i>	10
Beverage storage (model CL65ROS)	11
Wine and beverage storage (model CL63FDOS)	11
Cleaning and care	12
<i>Cleaning the appliance</i>	12
<i>Moving</i>	12
<i>Energy-saving tips</i>	12
Problems with your appliance?	13
Limited Warranty	14-15

Note on Models CL65ROS &CL63FDOS

These appliances can be used both indoors and outdoors, and may be installed either built into an enclosure or free-standing. In any case, to ensure proper operation and avoid unnecessary wasting of energy, leave enough clearance around the unit when installing to allow air to circulate freely.

For details on proper installation, see pages 5-6 .

Safety instructions and warnings



IMPORTANT SAFETY INSTRUCTIONS

WARNING: Before the appliance is used, it must be properly positioned and installed as described in this manual. Therefore, please read the manual carefully. To reduce the risk of fire, electric shock or injury when using the appliance, follow basic precautions, including the following:

- To prevent injury or damage to the appliance, the appliance should be unpacked and set up by two people.
- In the event that the appliance is damaged on delivery, contact the supplier immediately before connecting to the power line.
- To guarantee safe operation, ensure that the appliance is set up and connected as described in these operating instructions.
- Disconnect the appliance from the power source if any fault occurs. Pull out the plug, switch off or remove the fuse.
- When disconnecting the appliance, pull on the plug, not on the cable.
- Any repairs and work on the appliance should only be carried out by the customer service department, as unauthorized work could prove highly dangerous for the user. The same applies to changing the power cable.
- Do not stand on the base, drawers or doors or use them to support anything else.
- Do not allow flames or sources of ignition to enter the appliance. When transporting and cleaning the appliance, ensure that the refrigerant circuit is not damaged. In the event of damage, make sure that there are no ignition sources nearby. Keep the room well ventilated.
- This appliance is not intended for use by persons (including children) with reduced physical, sensory or mental capabilities or lack of experience and knowledge unless they have been given initial supervision or instruction concerning use of the appliance by a person responsible for their safety. Children should be supervised to ensure that they do not play with the appliance.
- Do not store explosives or sprays using combustible propellants such as butane, propane, pentane, etc. in the appliance. Electrical components might cause leaking gas to ignite. You may identify such sprays by the printed contents or a flame symbol.
- Do not use any electrical devices inside the appliance.
- Before you throw away your old appliance: Take off the door. Leave the shelves or drawers in place so that children may not easily climb inside.
- When disposing of your appliance, please choose an authorized disposal site.

Safety instructions and warnings

Children in the household


WARNING!

DANGER, RISK OF CHILD ENTRAPMENT!
Before you throw away your old appliances:
Take off the door. Leave the shelves in place
so that children may not easily climb inside.

- Never leave packaging materials with children. There is a danger of poisoning or suffocation by the cardboard boxes and plastic sheets!
- This appliance is in no way a toy for children!
- If you will no longer be using the appliance, remove the doors and gasket seals and store in a safe place. In this way you will avoid the danger of children becoming trapped inside the appliance.
- Never allow children to operate, play with, or crawl inside the appliance.
- Child entrapment and suffocation are not problems of the past. Junked or abandoned appliances are still dangerous ... even if they will “just sit in the garage a few days”.

Grounding instructions

DANGER & WARNING!

 Improper use of the grounding plug can result in a risk of electric shock.

- This appliance must be grounded.
- If the power socket of the home system is not grounded in accordance with the current legal regulations, connect the appliance to the grounding lead itself after consulting a specialized technician.

WARNING!

Do not use an extension cord with this appliance

- This appliance is equipped with a power cord having a grounding wire with a grounding plug. The plug must be plugged into an outlet that is properly installed and grounded.
- Consult a qualified electrician or service technician if the grounding instructions are not completely understood, or if doubt exists as to whether the appliance is properly grounded.
- If the outlet is a standard 2-prong wall outlet, it is your personal responsibility and obligation to have it replaced with a properly grounded 3-prong wall outlet.
- For best operation, plug this appliance into its own electrical outlet to prevent flickering of lights, blowing of fuse or tripping of circuit breaker.
- Do not under any circumstances cut or remove the third (ground) prong from the power cord.
- Do not use an adapter plug with this appliance.

Transporting and unpacking

- If the appliance is transported in a horizontal position, the oil from the compressor may leak into the cooling circuit. For this reason, allow the appliance to rest in a vertical position for 12 hours before turning it on, so that the oil flows back into the compressor.
- Remove the external packaging, remove the protective plastic film from the surface of the appliance (if used) and clean the external parts of the appliance with a cleaner designed for this purpose. Do not use steel wool or any coarse agents, which could irreparably damage the surface of the appliance. Carefully remove all papers and adhesive tape from the appliance, doors and other parts packed in polystyrene. Remove documents and accessories from inside the appliance.
- The packaging material is recyclable and is marked with a recycling symbol. For disposal, follow the local regulations. Packaging materials (plastic bags, polystyrene parts, etc.) present a possible source of danger and must be kept out of the reach of children.
- Carefully inspect the appliance. If you discover any faults, stop the installation and contact the vendor.

Installation instructions

NOTE: For free standing installation, allow at least 4" of clearance at the back, sides and top of the unit to permit the proper air circulation to cool the compressor and condenser. Even for built-in installation, you should provide the following clearances to ensure the best operation and proper ventilation: 3/16" on both sides, 2" at the rear and 1/16" at the top. Take care that the air vent at the front of the appliance is never covered or blocked in any way.

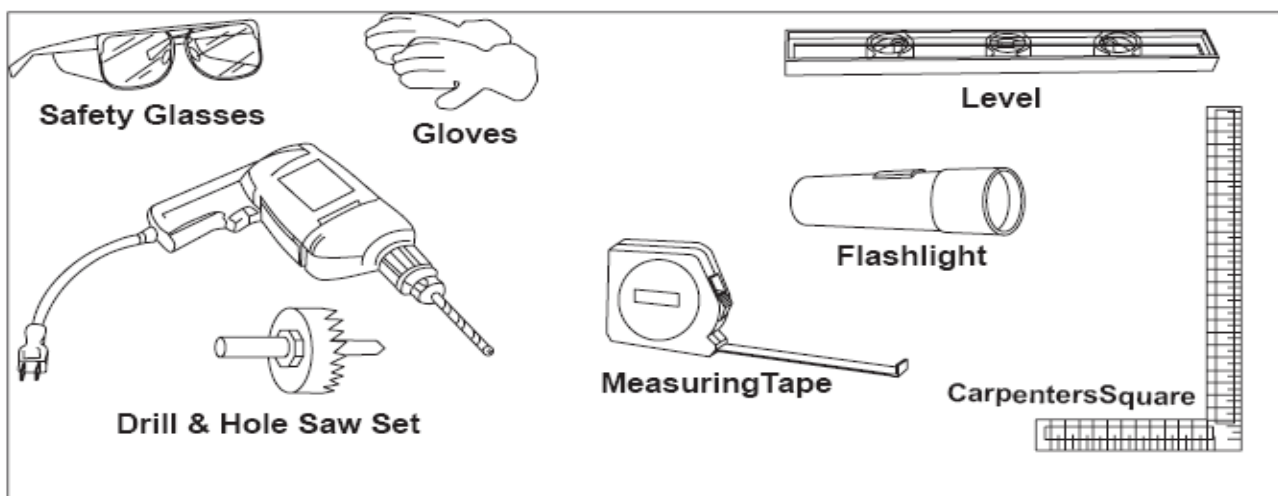
Before installation of your appliance

- The placement of the appliance must meet the requirements in the section *Operating conditions* on page 9 and must include a stable floor with a load-bearing capacity corresponding to the weight of the appliance.
- Level the appliance using the adjustable feet. Ensure there is a gap between the bottom edge of the appliance and the ground, so that there is sufficient circulation of air. This will ensure the optimal performance of the cooling system.
- Check whether any coolant circulation pipes have been damaged during installation.
- Use the appliance only for the purposes for which it has been designed.
- The appliance must be located on a rigid and even surface. In this way you will ensure free circulation of the coolant and effective operation of your appliance.
- If possible, place the appliance in a cool, well-ventilated and dry area.
- Do not locate the appliance in direct sunlight or in a room with a high ambient temperature, or in the vicinity of any sources of direct heat, such as a radiator or oven. This would cause the compressor to work harder, resulting in a substantially higher power consumption level.

FOR YOUR SAFETY

While performing installations described in this section, gloves, safety glasses or goggles should be worn.

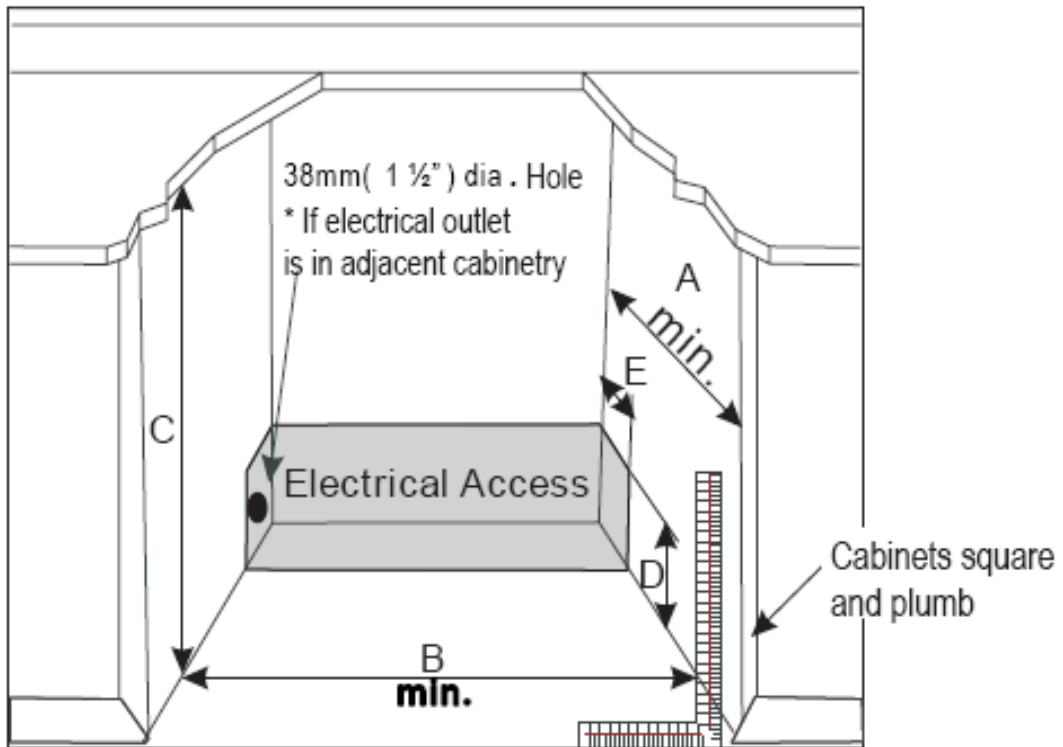
Tools you will need



Installation instructions

Built-in installation dimensions (mm/in)

If your appliance is to be built-in, use the dimensions in the diagram and chart below as a guide when installing:

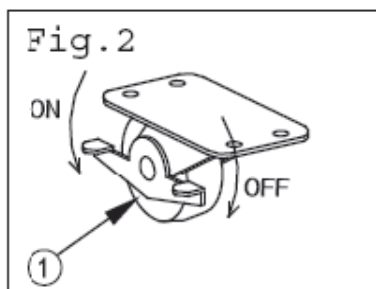
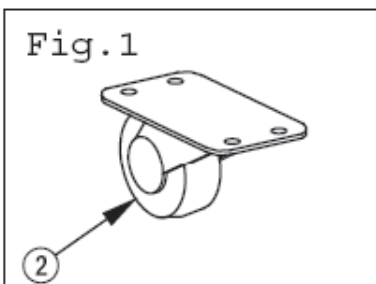


Model	CL65ROS	CL63FDOS
A	660mm (26")	660mm (26")
B	610mm (24")	610mm (24")
C	883mm (34 3/4")	883mm (34 3/4")
D	152mm (6")	152mm (6")
E	51mm (2")	51mm (2")

Installation instructions

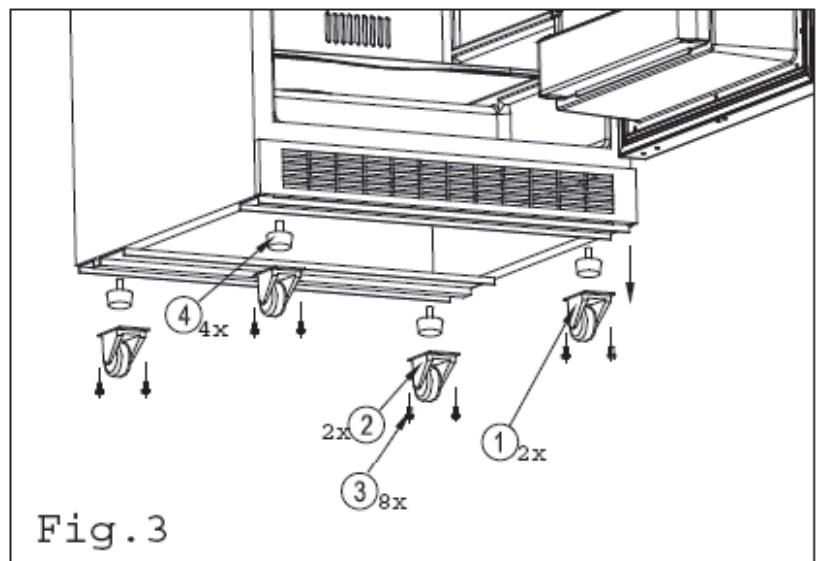
Notes:

- Unplug the power cord and release the brake before moving the cabinet.
- Do not put any goods on top of the cabinet and avoid slanting the cabinet when moving it.
- Push the cabinet from the rear making sure the door does not open.
- To avoid short circuits, please do not use the cabinet in bad weather. Position the cabinet under a canopy.
- Do not let children climb on the cabinet or move the cabinet to another location.
- Keep the caster brake in "ON" position while in desired location.
- Cabinet must be placed on a level surface.
- Cabinet will reach its cooling efficiency after one hour.



Replacing cabinet legs with casters

- Tilt the unit on its back on a level surface and remove the 4 cabinet legs (Fig. 3 number 4). Reserve the cabinet legs.
- Assemble the casters with brake (Fig. 2) on the cabinet front bottom and the other 2 casters (Fig. 1) at the cabinet rear bottom.
- Assemble each caster to the bottom of the unit with (2) M5x10 screws with a star or Phillips screwdriver (Fig. 3).
- The caster brake (Fig. 3 number 1) at the front bottom of the cabinet comes with a braking function. When the brake handle is "ON" (Fig. 2) unit wont roll; when brake handle is "OFF" (released), it will roll.(Fig. 2)



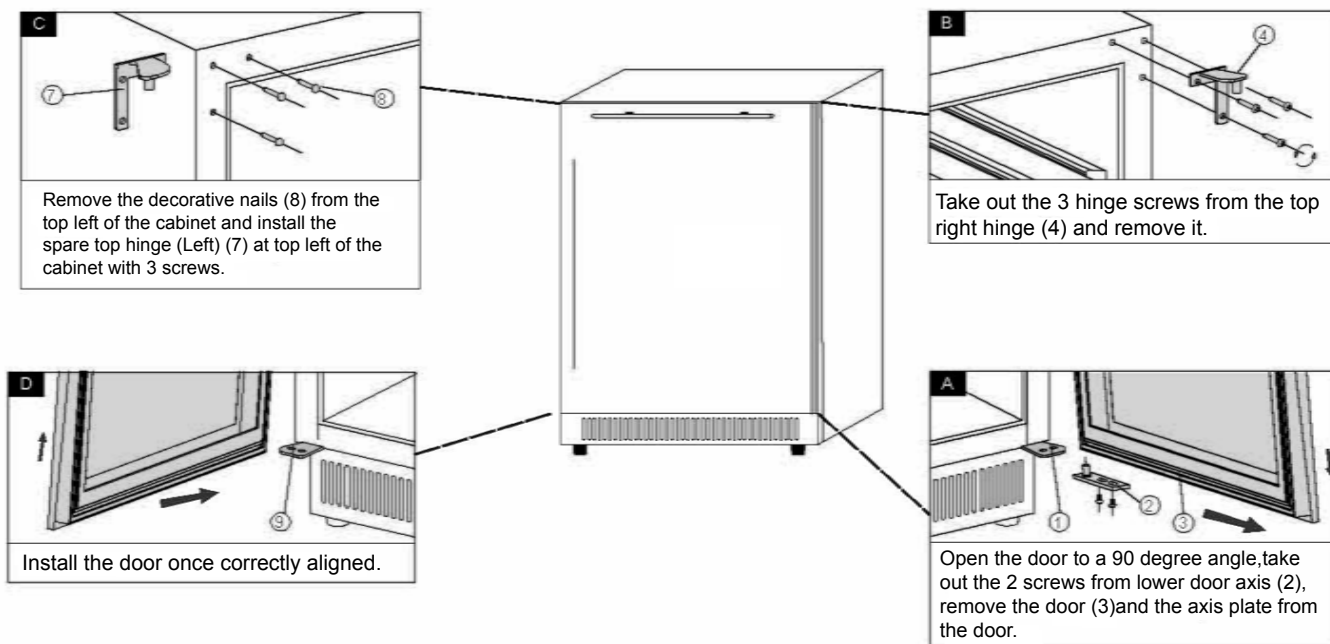
Electrical connection

A 115 Volt (AC only) 60 Hz grounded electrical supply equipped with a 15- or 20-amp fuse or circuit breaker is required. It is recommended that a separate circuit serving only your appliance be provided. Use outlets that cannot be turned off by a switch or pull chain. Connect this appliance to a 3-prong power supply outlet that has a ground

terminal. If you only have a 2-prong outlet, have it replaced by a qualified technician with an outlet that meets the local codes. **DO NOT USE AN EXTENSION CORD.** Required nominal voltage and frequency are indicated on the rating plate. The connection to the power supply and grounding has to be made according to current standards and regulations.

Reversing the door(model CL65ROS only)

Model CL65ROS has a reversible door but is delivered to you with a right-hinged door. Should you wish to reverse the hinge on your unit, a left-hand hinge kit is included in the box.



Operation

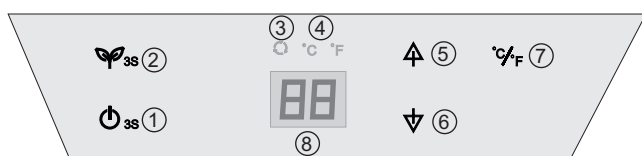
Operating conditions


Proper operation of the appliance is guaranteed only if the following conditions are met:


- The temperature in the room where the appliance is located conforms to the climate class stated on the appliance's rating label.
- Maximum ambient relative humidity: RH75%.
- The appliance must be placed at a sufficient distance from heat sources (e.g., ovens, central heating, direct sunlight, etc.).
- The appliance must be located in such a place that it is protected against the effects of weather.
- Regular maintenance is performed according to the instructions in this user's manual.
- The ventilation openings in the cover of the appliance must not be covered by anything.
- Correct installation (e.g., leveling, the capacity of the system corresponds to the specifications on the rating label of the appliance).

Control elements

For Models : CL65ROS/CL63FDOS



- 1) “  ” button
To turn the unit ON and OFF, press and hold this button for approximately 3 seconds.

- 2) “  ” button


Energy conservation button: Pressing this button for 3 seconds will turn the energy conservation mode on or off. In this mode, the LED light and display will turn off, and the °C/°F light will be on.

- 3) “  ” indicator light


Shows that the compressor is in operation.

- 4) “°C/°F” indicator light

The temperature scale is changed by pressing the °C/°F button.

- 5) “  ” button

Used to increase (warm) the temperature in steps of 1°F (or 1°C).

- 6) “  ” button

Used to decrease (cool) the temperature in steps of 1°F (or 1°C).

- 7) “°C/°F” button

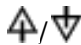
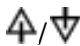
Press this button to switch the indicator light between °C and °F.

- 8) LED display

Shows the temperature of the internal cabinet.

Setting the temperature

- Insert the power plug into a properly grounded power socket.

- Use the  buttons to set the desired temperature of the appliance. Each time the  buttons are pressed, the temperature will increase / decrease by 1°F (or 1°C).

- CL65ROS

You can set the temperature in the range of 36°F to 50°F (or 2°C to 10°C).

- CL63FDOS

You can set the temperature in the range of 39°F to 64°F (or 4°C to 18°C).

Operation

Functions

■ Temperature Memory Function

If the power is suddenly lost, the set temperature will be remembered by the unit and once the power is back on, the unit will be at the same set temperature.

■ “Close Door” Reminder Function

When you forget to close the door or the door is not fully closed, there will be a warning alarm after 5 minutes.

■ Temperature Alarm Function

If the inner temperature is higher than 73°F (23°C), “HI” is shown on the display panel and the alarm buzzer will sound continuously after one hour. It informs you that the inner temperature is too high. Please check for the cause.

If the inner temperature is lower than 32°F (0°C), “LO” is shown on the display panel; the alarm buzzer will sound and the malfunction indicator will light at the same time.

NOTE: If too many bottles are put in at once or the door has not been closed tightly, the unit will display the “HI” signal on the display panel. This is normal. Please wait 5 minutes after you close the door and “HI” will disappear.

■ It is normal that the cabinet shows “HI” or “LO” from time to time. If it occurs frequently or lasts for a long time, you can restart the unit by unplugging it. If the problem occurs once again after restart, please contact customer service.

■ Before reconnecting the power plug into a socket, wait 3 to 5 minutes. Otherwise you could damage your appliance. If you attempt to turn on the appliance before the end of this time delay, the appliance will not start.

■ If you turn on the appliance for the first time or after a restart, or after it has been out of operation for a long time, there may be a temperature difference between the temperature inside the appliance and on the LED display. This is a normal event caused by the duration of the activation period. Leave the appliance turned on for several hours and the temperatures will stabilize during operation.

Defrosting

There is no need to defrost your appliance manually since its operation is frost-free.

Shelves (model: CL65ROS)

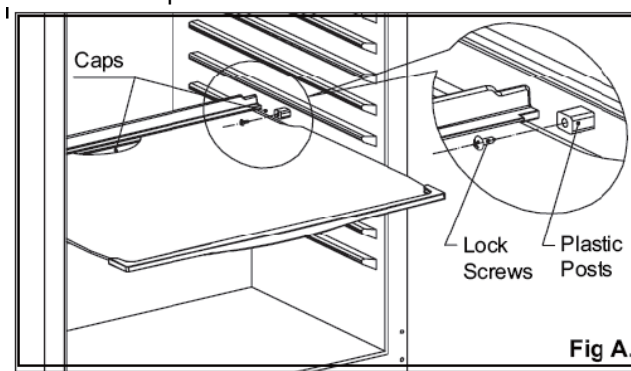


WARNING!



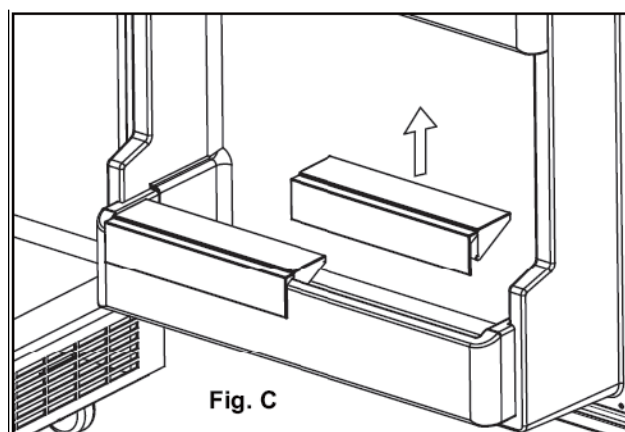
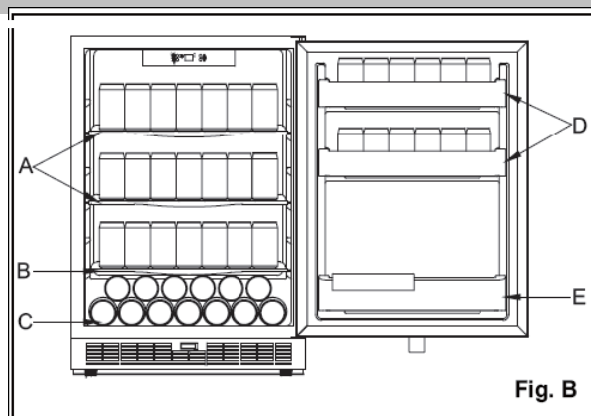
Do not cover racks with aluminum foil or any other material that will prevent adequate air circulation within the cabinet.

- To prevent damaging the door gasket, make sure to have the door open all the way when pulling shelves out of the rail compartment.
- For easy access to the storage contents, you must pull the shelves approximately 1/3 out of the rail compartment. Note that this unit was designed with a notch on each side of the shelf tracks to prevent bottles from falling.
- When removing any of these shelves from the rail compartment, you must first disassemble and remove the plastic posts by removing the lock screw that holds each post in place. (Fig. A)
- To re-install, ensure the shelf is resting securely on the support brackets and push shelf inward until it locks into place.



Beverage storage (model CL65ROS)

- The unit can store a maximum of 123 beverage cans (12 oz) , and 2 gallon-size milk bottles. See Fig. B for detailed storage method.
- Location A: each full-size glass shelf can hold 35 beverage cans (12 oz).
- Location B: smaller glass shelf can hold 28 beverage cans (12 oz3).
- Location C: bottom of the unit can hold 13 beverage cans (12 oz).
- Location D: each storage bin can hold 6 beverage cans (12 oz).
- Location E: milk bin can hold two 1-gallon milk bottles or 2-liter beverage bottles. See Fig. C.
- To allow the unit to hold a 1-gallon milk bottle, remove the block as shown in Fig. C. Keep the block in a safe place away from children.
- To hold a 2-liter beverage bottle, the block should be put back in place.



Wine and beverage storage (model CL63FDOS)

To achieve the maximum storage capacity of 21 bottles and 60 beverage cans:

1) Right compartment

Shown in Fig A. This will allow for the storage of three (3) 750ml bottles per rack .
Total storage capacity:
21 wine bottles.

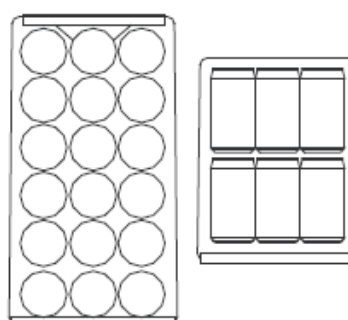
Fig A



2) Left compartment



Position the cans on the upper three shelves as shown in Fig B. This will allow for the storage of eighteen (18) 12-oz cans on each of the top three shelves, and six (6) cans on the bottom shelf for a total storage capacity of 60 beverage cans.

Fig B



Cleaning and care




Cleaning the appliance

 **DANGER & WARNING!** 
Before cleaning the appliance, disconnect it from the power source.

- Wipe the internal surfaces of the appliance with a soft sponge lightly dipped in a solution of table salt. (Add 2 table-spoons of salt to a quart of warm water.)
- Wash the shelves in warm water with a small amount of kitchen dishwashing liquid, rinse and wipe dry. Allow the wooden shelves (if the appliance has them) to dry completely before returning them to the wine cooler.
- Use a glass cleaner to clean the glass surfaces and a commercially available stainless steel cleaning agent for the stainless steel surfaces.
- All parts that you wash with a soft sponge lightly dipped in water must be wiped dry.
- Wipe the outer surface with a soft sponge lightly dipped in a dilute solution of dishwashing liquid in water. Wipe dry using a clean cloth.
- Dust and liquids can cause gaskets to stick to the cabinet and tear when you open the door. Wash each door gasket with a mild detergent and warm water. Rinse and dry thoroughly after cleaning.

 **Note** 

- Do not use steel wool or sponges with steel wool on stainless steel surfaces. They could damage the surface.
- Do not use cleaning waxes, concentrated cleaning agents, bleaches or cleaning products containing kerosene on the plastic or rubber parts.
- Never use paper towels or window cleaners on the plastic parts.

 **DANGER & WARNING!** 
 Never clean appliance parts with flammable fluids. The fumes can create a fire hazard or explosion.

Moving

- Before moving the appliance, remove all contents.
- Secure freely moving parts inside the appliance (racks), e.g., using adhesive tape.
- To prevent damage, screw in the leveling feet.
- Tape the door(s) shut.
- Ensure that the appliance always remains in a vertical position while being transported. To prevent the appliance from being damaged during transportation, cover it with a blanket or other soft cloth.

Energy-saving tips

- Locate the appliance away from sources of heat and out of direct sunlight.
- Ensure sufficient ventilation. Under no circumstances should you cover the ventilation openings.
- Only open the door when necessary. Do not leave the door open for a long time or open the door too often.
- If the appliance will not be used for several months, remove all items and turn off the appliance. Clean and dry the interior thoroughly. To prevent odor and mold growth, leave the door(s) open slightly, blocking open if necessary.

Problems with your appliance?

You can solve many common appliance problems easily, saving you the cost of a possible service call. Try the suggestions below to see if you can solve the problem before calling the servicer.

Troubleshooting guide

Problem	Possible cause
Appliance does not operate.	Not plugged in. The appliance is turned off. Tripped circuit breaker or blown fuse.
Appliance is not cold enough.	Check the temperature control setting. External environment may require a higher setting. The door is opened too often. The door is not closed completely. The door gasket does not seal properly.
Turns on and off frequently.	The room temperature is hotter than normal. A large amount of contents has been added to the appliance. The door is opened too often. The door is not closed completely. The temperature control is not set correctly. The door gasket does not seal properly.
The light does not work.	Not plugged in. Tripped circuit breaker or blown fuse. The bulb has burned out. The light button is OFF.
Vibrations	Check to be sure that the unit is level.
The appliance seems to make too much noise.	A rattling noise may come from the flow of the refrigerant, which is normal. As each cycle ends, you may hear gurgling sounds caused by the flow of refrigerant in your appliance. Contraction and expansion of the inside walls may cause popping and crackling noises. The appliance is not level.
The door will not close properly.	The appliance is not level. The door was reversed and not properly re-installed. The gasket is dirty. The shelves are out of position.

Limited Warranty

PARTS AND LABOR WARRANTY INFORMATION

SUMMIT Appliances are manufactured to provide outstanding value, and your satisfaction is our goal on every product. All SUMMIT major appliances carry a one-year limited warranty on both parts and labor. All refrigerators and freezers carry an additional four years on the compressor. Certain exclusions may apply.

Certain models (including SUMMIT ranges, wall ovens, and cooktops) are manufactured for us in the U.S. and carry the manufacturer's warranty (also one year parts and on-site labor).

For details on specific warranty issues, please contact us.

GENERAL PARTS AND LABOR WARRANTY

Summit warrants to the original purchaser of every new unit, the cabinet and all parts thereof, to be free from defects in material or workmanship under normal and proper use and maintenance service as specified by Summit and upon proper installation and start-up in accordance with the instruction packet supplied with each Summit unit. Summit's obligation under this warranty is limited to a period of 12 months from the date of original purchase.

Any parts covered under this warranty that are determined by Summit to have been defective, within the above said period, are limited to the repair or replacement, including labor charges, of defective parts or assemblies. The labor warranty shall include pre-approved standard straight time labor charges only and reasonable travel time, as determined by Summit.

COMPRESSOR WARRANTY

In addition to the warranty period stated above, Summit warrants its hermetically sealed compressor to be free from defects in both material and workmanship, under normal and proper use and maintenance, for a period of 60 months from the date of original purchase. Compressors determined by Summit to have been defective within this extended time period will, at Summit's option, be either repaired or replaced with a compressor or compressor parts of similar design and capacity. The above said extended compressor warranty applies only to hermetically sealed parts of the compressor and DOES NOT apply to any other parts or components, including, but not limited to, cabinet, paint finish, temperature control, refrigerant, metering device, driers, motor starting equipment, fan assembly or any other electrical component, etc.

WARRANTY CLAIMS

All claims for labor or parts must be made directly through Summit. All claims should include model number of the unit, serial number of the cabinet, proof of purchase, date of installation, and all pertinent information supporting the existence of the alleged defect. In case of compressor warranty, the compressor model tag must be returned to Summit along with the above listed information. All claims should be filed within 30 days of completed repair or the warranty claim could be refused.

THINGS NOT COVERED BY THIS WARRANTY

Summit's sole obligation under this warranty is limited to either repair or replacement of parts, subject to the additional limitations below. This warranty neither assumes nor authorizes any person to assume obligations other than those expressly covered by this warranty.

- **NO CONSEQUENTIAL DAMAGES:** Summit is not responsible for economic loss; profit loss; or special, direct, indirect, or consequential damages, including without limitation, losses or damages arising from food or product spoilage claims whether or not on account of refrigeration failure.

- **WARRANTY IS NOT TRANSFERRABLE:** This warranty is not assignable and applies only in favor of the original purchaser/user to whom delivered. Any such assignment or transfer shall void the warranties herein made and shall void all warranties, express or implied, including any warranty of merchantability or fitness for a particular purpose.
- **IMPROPER USE:** Summit assumes no liability for parts or labor coverage for component failure or other damages resulting from improper usage or installation or failure to clean and/or maintain product as set forth in the warranty packet provided with the unit.
- **ALTERATION, NEGLIGENCE, ABUSE, MISUSE, ACCIDENT, DAMAGE DURING TRANSIT OR INSTALLATION, FIRE, FLOOD, ACTS OF GOD:** Summit is not responsible for the repair or replacement of any parts that Summit determines to have been subjected after the date of manufacture to alteration, neglect, abuse, misuse, accident, damage during transit or installation, fire, flood, or act of God.
- **IMPROPER ELECTRICAL CONNECTIONS:** Summit is not responsible for the repair or replacement of failed or damaged components resulting from electrical power failure, the use of extension cords, low voltage, or voltage drops to the unit.
- **NO IMPLIED WARRANTY OF MERCHANTABILITY OR FITNESS FOR A PARTICULAR PURPOSE:** There are no other warranties, expressed, implied or statutory, except the parts & labor warranty and the extended compressor warranty specifically described above. These warranties are exclusive and in lieu of all other warranties, including implied warranty and merchantability or fitness for a particular purpose. There are no other warranties which extend beyond the description on the face hereof.
- **OUTSIDE CONTIGUOUS UNITED STATES:** This warranty does not apply to, and Summit is not responsible for, any warranty claims made on products sold or used outside the contiguous (48) United States. To be clear, this warranty excludes the states of Alaska and Hawaii and all off-shore territories.

REQUESTING SERVICE

If you are in need of service, please either fill out a service request on our website, www.summitappliance.com/support, or call us at 800-932-4267 or 718-893-3900. Please be prepared to give us the following information: your name, address, phone, email, model, serial, date of purchase, place of purchase, and the problem you are having.

WARNING! This product may contain chemicals known to the state of California to cause cancer or birth defects or other reproductive harm. For more information, visit: www.summitappliance.com/prop65. Chemicals known by the manufacturer to be present in this product in concentrations higher than threshold limits: **NONE**.

FELIX STORCH, INC.
770 Garrison Avenue
Bronx, NY 10474
Phone: (718) 893-3900
Fax: (718) 842-3093
www.summitappliance.com



SUMMIT CLASSIC COLLECTION

Printed in China



SUMMIT CLASSIC COLLECTION

Manuel du propriétaire

Modèles pour l'extérieur

CL65ROS : Réfrigérateur

CL63FDOS : Cabinet-cellier et centre de boissons

**AVANT D'UTILISER CET APPAREIL, VEUILLEZ LIRE ET RESPECTER
TOUTES LES RÈGLES DE SÉCURITÉ ET INSTRUCTIONS D'UTILISATION**

Inscrivez le numéro de série ici :

Felix Storch, Inc.
Summit Appliance Division
770 Garrison Avenue
Bronx, NY 10474
www.summitappliance.com

Table des matières

Consignes de sécurité et avertissements	2 - 3
Transport et déballage	4
Instructions d'installation	5 - 7
<i>Avant d'installer votre appareil</i>	5
<i>Outils nécessaires</i>	5
<i>Dimensions pour une installation encastrée</i>	6
<i>Remplacer les pieds par des roulettes</i>	7
<i>Connexion électrique</i>	7
Inverser la porte (modèle CL65ROS seulement)	8
Utilisation	9 - 10
<i>Conditions d'utilisation</i>	9
<i>Commandes</i>	9
<i>Réglage de la température</i>	9
<i>Fonctions</i>	10
<i>Dégivrage</i>	10
<i>Tablettes</i>	10
Rangement de boissons (modèle CL65ROS)	11
Rangement du vin et des boissons (modèle CL63FDOS)	11
Nettoyage et entretien	12
<i>Nettoyer l'appareil</i>	12
<i>Déplacer l'appareil</i>	12
<i>Conseils pour économiser de l'énergie x</i>	
Un problème avec votre appareil?	13
Garantie limitée	14 - 15

Remarque sur les modèles CL65ROS et CL63FDOS

Ces appareils peuvent être utilisés à l'intérieur ou à l'extérieur, et peuvent être encastrés, sur pieds ou sur roues. Dans le but de garantir un bon fonctionnement et pour éviter une consommation inutile d'énergie, libérez suffisamment d'espace autour de l'appareil afin que l'air puisse circuler librement, et ce, peu importe l'option d'installation que vous choisirez.

Pour obtenir des renseignements sur une installation adéquate, veuillez consulter les pages 5 et 6.

Consignes de sécurité et avertissements



CONSIGNES IMPORTANTES DE SÉCURITÉ

AVERTISSEMENT : Avant d'utiliser l'appareil, positionnez-le et installez-le adéquatement, conformément aux instructions fournies dans le présent manuel.

Par conséquent, veuillez lire attentivement ce manuel. Afin de diminuer les risques d'incendie, de décharge électrique ou de blessure lors de l'utilisation de cet appareil, appliquez des mesures de sécurité de base, notamment :

- Pour éviter des blessures ou des dommages à l'appareil, celui-ci doit être déballé et installé par deux personnes.
- Si l'appareil a été endommagé au cours de la livraison, communiquez immédiatement avec le fournisseur avant de brancher l'appareil.
- Pour garantir un bon fonctionnement de l'appareil, veillez à ce qu'il soit installé et branché comme indiqué dans ces instructions d'utilisation.
- Si l'appareil fait défaut, peu importe sa nature, débranchez-le de la prise d'alimentation. Débranchez le câble d'alimentation, éteignez-le ou enlevez le fusible.
- Pour débrancher l'appareil, ne tirez pas sur le câble d'alimentation; tenez la prise au niveau du connecteur.
- Toute réparation ou tout travail à réaliser sur cet appareil doit être effectué par le service à la clientèle, car une intervention non autorisée peut s'avérer très dangereuse pour l'utilisateur. Ceci comprend le remplacement du câble d'alimentation.
- Ne montez pas sur la base, un tiroir, une porte, et ne les utilisez pas comme appui pour supporter quoi que ce soit.
- Évitez qu'une flamme ou une source d'inflammation n'entre dans l'appareil. Lorsque vous transportez ou nettoyez l'appareil, assurez-vous de ne pas endommager le circuit de refroidissement. S'il est endommagé, vérifiez qu'il n'y a aucune source d'inflammation à proximité. Gardez la pièce bien aérée.
- Cet appareil n'est pas conçu pour être utilisé par une personne (y compris un enfant) ayant des capacités physiques, sensorielles ou mentales réduites, ou qui n'ont pas suffisamment d'expérience et de connaissance, sauf si cette personne a reçu des instructions sur l'utilisation de l'appareil de la part d'une personne responsable de sa santé, et si elle était supervisée la première fois qu'elle a utilisé l'appareil. Les enfants qui utilisent l'appareil doivent être supervisés pour éviter qu'ils ne jouent avec l'appareil.
- Ne rangez pas de matières explosives ou de vaporisateur contenant une matière inflammable comme du butane, du propane, du pentane, etc. dans l'appareil. Les composantes électriques peuvent enflammer le gaz dans l'éventualité d'une fuite. Pour savoir si un contenant contient un tel gaz, lisez les inscriptions et vérifiez si un symbole de flamme est inscrit sur l'emballage ou non.
- Utilisez aucun appareil électrique à l'intérieur de l'appareil.
- Avant de jeter votre vieil appareil : démontez la porte. Laissez les tablettes et les tiroirs en place pour éviter qu'un enfant puisse entrer facilement dans l'appareil.
- Lorsque vous jetez l'appareil, veuillez avoir recours à un service de collecte de déchets autorisé

Consignes de sécurité et avertissements

Enfants au foyer

AVERTISSEMENT!

DANGER, UN ENFANT POURRAIT RESTER COINCER DANS L'APPAREIL!

Avant de jeter votre vieil appareil :
Démontez la porte. Laissez les tablettes en place pour éviter qu'un enfant puisse entrer facilement dans l'appareil.

- Ne laissez jamais l'emballage près d'un enfant. Il risque de s'empoisonner ou de s'étouffer avec les boîtes de carton et les feuilles de plastique!
- Cet appareil n'est nullement un jouet pour enfant!
- Si vous cessez d'utiliser l'appareil, démontez les portes et les scellants de joints, et rangez-le dans un endroit sûr. Ainsi, vous éliminez le risque qu'un enfant se coince dans l'appareil.
- N'autorisez jamais un enfant à utiliser l'appareil, à jouer avec l'appareil, ou à entrer dans l'appareil.
- Le risque qu'un enfant reste coincé dans l'appareil ou s'étouffe avec l'emballage est encore bien réel aujourd'hui. Les déchets ou les appareils abandonnés demeurent dangereux, et ce, même s'ils « restent quelques jours dans le garage ».

Instructions de mise à la terre

DANGER ET AVERTISSEMENT!



Une mauvaise utilisation de la prise de mise à la terre peut causer une décharge électrique.

- Cet appareil doit être mis à la terre.
- Si la prise électrique n'est pas mise à la terre conformément aux lois actuellement en vigueur, consultez un technicien spécialisé et branchez l'appareil directement à un conduit qui peut servir de mise à la terre.

AVERTISSEMENT!

N'utilisez pas de rallonge pour alimenter cet appareil

- Le câble d'alimentation de cet appareil est muni d'un fil et d'un connecteur de mise à la terre. Le connecteur doit être branché à une prise adéquatement installée et mise à la terre.
- Si les instructions de mise à la terre ne sont pas claires pour vous, ou si vous avez un doute sur la mise à la terre de l'appareil, consultez un électricien qualifié.
- Si la prise est une prise murale ordinaire à deux broches, vous êtes entièrement responsable de son remplacement par une prise à trois broches munie d'une mise à la terre adéquate.
- Pour un fonctionnement optimal, branchez cet appareil sur sa propre prise de courant afin d'éviter de faire clignoter une lumière, sauter un fusible ou déclencher un disjoncteur.
- N'enlevez en aucun cas la troisième broche (celle qui sert de mise à la terre) du câble d'alimentation.
- N'utilisez pas d'adaptateur pour brancher cet appareil

Transport et déballage

- Si l'appareil est transporté en position horizontale, l'huile du compresseur risque de couler sur le circuit de refroidissement. C'est pourquoi il est nécessaire de laisser l'appareil en position verticale pendant 12 heures avant de le mettre en marche. Cette période permet à l'huile de retourner dans le compresseur.
- Enlevez l'emballage extérieur, le film protecteur en plastique collé à la surface (si vous prévoyez utiliser l'appareil prochainement), et nettoyez les pièces extérieures avec un nettoyant conçu pour ces types de surfaces. N'utilisez pas de laine d'acier ou tout agent rugueux, au risque d'endommager la surface en permanence. Enlevez délicatement tous les papiers et tous les adhésifs de l'appareil, des portes et des autres pièces emballées dans le polystyrène. Enlevez les documents et les accessoires qui se trouvent à l'intérieur de l'appareil.
- Le matériel d'emballage est recyclable, comme l'indique son symbole de recyclage. Pour le jeter, respectez les règlements locaux. Le matériel d'emballage (sacs de plastique, pièces en polystyrène, etc.) constitue une source potentielle de danger et doit être tenu hors de la portée des enfants.
- Inspectez minutieusement l'appareil. Si vous cernez un défaut, cessez l'installation et communiquez avec le détaillant.

Instructions d'installation

REMARQUE : Pour une installation sur pied ou sur roulettes, prévoyez au moins 4 po d'espace libre à l'arrière, sur les côtés et au-dessus de l'appareil afin d'obtenir une circulation adéquate pour le refroidissement du compresseur et du condensateur. Pour une installation encastrée, prévoyez les espaces libres suivants pour garantir une ventilation adéquate et donc un fonctionnement optimal. 3/16 po de chaque côté, 2 po à l'arrière et 1/16 po au-dessus de l'appareil. Veillez à ce que la grille d'aération qui se trouve à l'avant de l'appareil ne soit jamais couverte ou obstruée d'une quelconque façon.

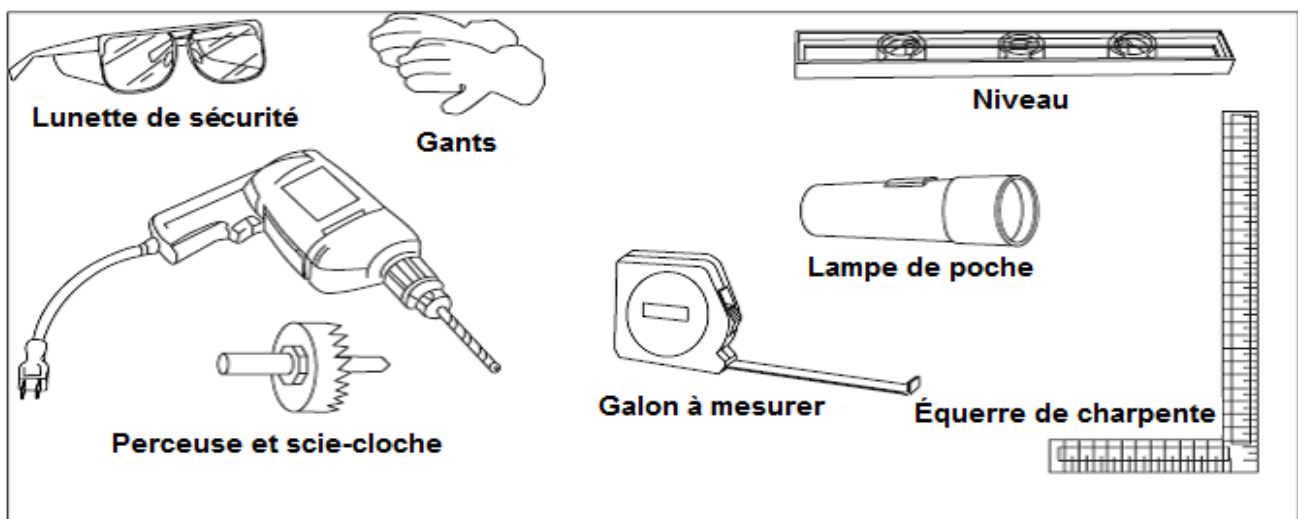
Avant d'installer votre appareil

- L'emplacement de cet appareil doit respecter les exigences décrites dans la section *Conditions d'utilisation* à la page x et doit inclure un plancher stable capable de supporter le poids de l'appareil.
- Mettez l'appareil au niveau en utilisant les pieds réglables. Assurez-vous de laisser un espace entre le bord inférieur de l'appareil et le sol pour favoriser la circulation d'air. Ainsi, vous favorisez un fonctionnement optimal du système de refroidissement.
- Vérifiez les tuyaux de circulation du liquide refroidisseur pour d'éventuels dommages durant l'installation.
- Utilisez cet appareil uniquement pour les fins auxquelles il a été conçu.
- L'appareil doit être installé sur une surface rigide et au niveau. Ainsi, vous favorisez la circulation du liquide refroidisseur et un fonctionnement optimal de l'appareil.
- Si possible, placez l'appareil dans un endroit frais, sec et bien ventilé.
- N'installez pas l'appareil de manière à l'exposer directement aux rayons du soleil, dans une pièce dont la température ambiante est élevée, ou près d'une source directe de chaleur, comme un radiateur ou un four. Un tel environnement forcera le compresseur à fonctionner davantage, ce qui entraînera une augmentation substantielle de la consommation d'énergie.

POUR VOTRE SÉCURITÉ

Les personnes qui réalisent le travail d'installation décrit dans cette section doivent porter des gants et des lunettes de protection.

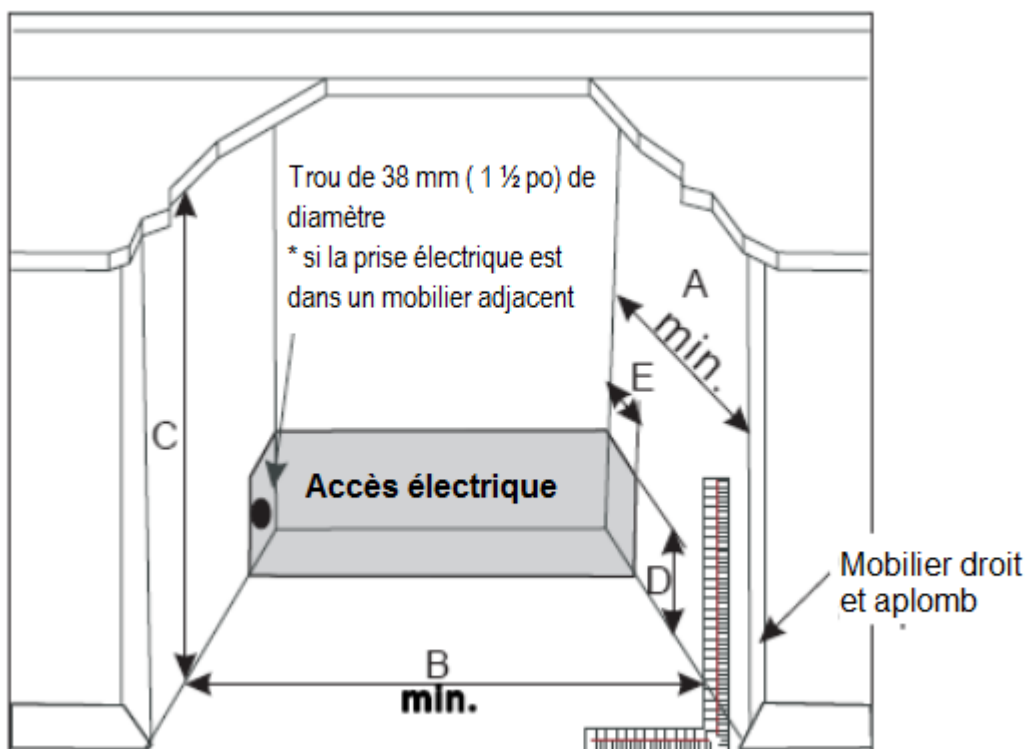
Outils nécessaires



Instructions d'installation

Dimensions d'installation encastrée (mm/po)

Si vous souhaitez encastrer cet appareil, utilisez les dimensions écrites dans le diagramme et le tableau ci-dessous à titre de guide d'installation :

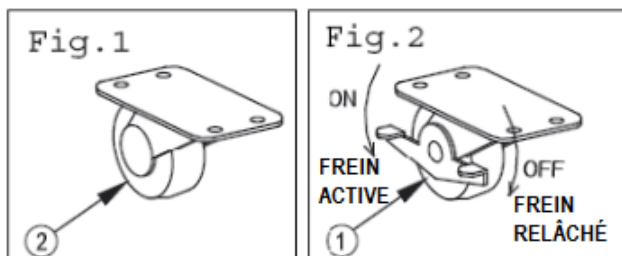


Modèle	CL65ROS	CL63FDOS
A	660 mm (26 po)	660 mm (26 po)
B	610 mm (24 po)	610 mm (24 po)
C	883 mm (34¾ po)	883 mm (34¾ po)
D	152 mm (6 po)	152 mm (6 po)
E	51 mm (2 po)	51 mm (2 po)

Instructions d'installation

Remarques :

- Débranchez le câble d'alimentation et enlevez les freins avant de bouger l'appareil.
- Ne placez pas de biens sur le dessus de l'appareil et évitez de le pencher lorsque vous le déplacez.
- Poussez l'appareil à partir de l'arrière et veillez à ce que les portes ne s'ouvrent pas.
- Pour éviter un court-circuit, veuillez ne pas utiliser l'appareil par mauvais temps. Placez l'appareil sous un toit.
- N'autorisez pas les enfants à grimper sur l'appareil ou à le déplacer.
- Mettez les freins sur les roulettes et gardez-les en place lorsque vous n'avez pas à déplacer l'appareil.
- L'appareil doit être placé sur une surface au niveau.
- L'appareil atteint son niveau de refroidissement efficace après une heure de mise en marche.



Remplacer les pieds par des roulettes

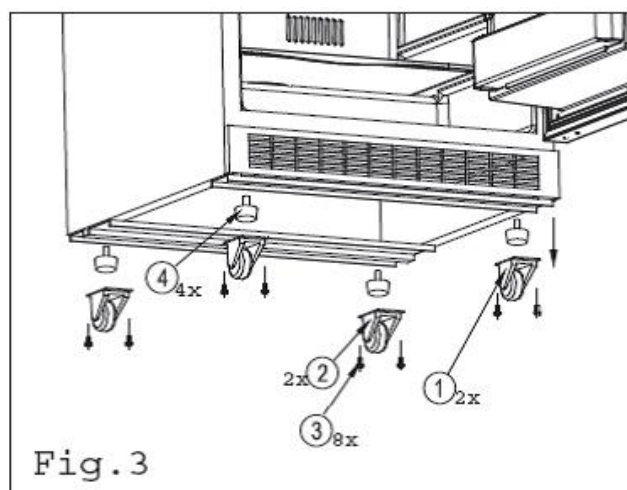
a) Placez l'appareil sur son dos sur une surface au niveau et enlevez les 4 pieds (Fig. 3, numéro 4).

Conservez les pieds de l'appareil.

b) Installez les roulettes avec frein (Fig. 2) vers l'avant de l'appareil et les roulettes sans frein (Fig. 1) à l'arrière de l'appareil.

c) Fixez chaque roulette avec 2 vis M5x10 à l'aide d'un tournevis cruciforme (Fig. 3).

d) Les roulettes avec frein (Fig. 3 numéro 1) à l'avant de l'appareil sont munies d'un système de frein. Lorsque le levier de frein est en position « ON » (Fig. 2), les roulettes sont verrouillées et ne rouleront pas. Lorsque le levier de frein est en position « OFF », les roulettes rouleront librement (Fig. 2).



Connexion électrique

Une alimentation électrique de 115 volts (c.a. seulement) de 60 Hz avec mise à la terre munie d'un fusible ou d'un disjoncteur de 15 ou 20 ampères est requise. Nous recommandons de consacrer un circuit exclusivement à l'alimentation de votre appareil. Utilisez une prise dont le courant ne peut pas être coupé par un interrupteur. Branchez cet appareil à une prise à trois broches munie d'une mise à la terre. Si vous n'avez que des prises à 2 broches, faites appel aux services d'un électricien qualifié pour l'installation d'une prise à 3 broches conforme aux codes de bâtiment locaux. N'UTILISEZ PAS DE RALLONGE. La tension nominale et la fréquence exigées sont indiquées sur la plaque signalétique. La connexion à la source d'alimentation et à la mise à la terre doit être conforme aux normes et règlements actuels.

Inverser la porte*

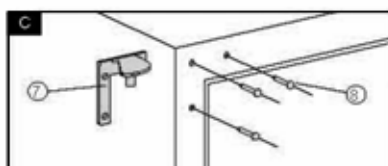
* Modèle CL65ROS seulement

La porte du modèle CL65ROS est réversible. Par défaut, la porte est installée avec les charnières à droite. Si vous souhaitez placer les charnières à gauche, un ensemble à cet effet vous a été fourni avec l'appareil.

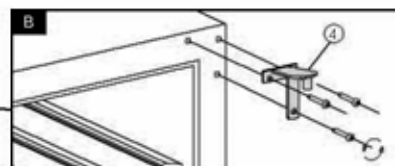
⚠ DANGER ET AVERTISSEMENT! ⚠



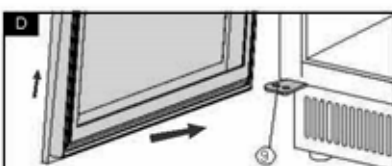
Coupez l'alimentation avant d'enlever les portes.



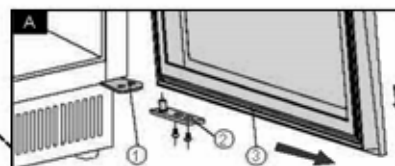
Enlevez les clous décoratifs (8) du coin supérieur gauche de l'appareil et installez la charnière supérieure supplémentaire (gauche) (7) dans le coin supérieur gauche avec 3 vis.



Retirez les 3 vis de charnière de la charnière supérieure droite (4) et enlevez la charnière.



Installez la porte une fois bien alignée.



Ouvrez la porte avec un angle de 90 degrés, retirez les 2 vis de l'axe inférieur de la porte (2), et enlevez la porte (3) et la plaque d'axe de la porte.

Utilisation

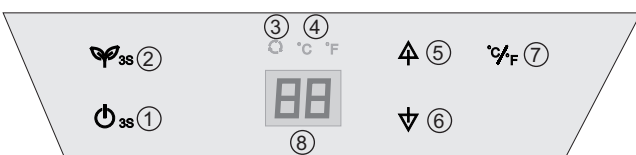
Conditions d'utilisation

Le bon fonctionnement de cet appareil est garanti uniquement si les conditions suivantes sont respectées :

- La température de la pièce où se trouve l'appareil est conforme à la catégorie climatique inscrite sur l'étiquette signalétique de l'appareil.
- Humidité relative ambiante maximale : HR 75 %.
- L'appareil doit être placé à une distance suffisante de toute source de chaleur (p. ex. four, système de chauffage, exposition directe aux rayons du soleil, etc.).
- L'appareil doit être installé à un endroit protégé des conditions climatiques.
- L'appareil doit faire l'objet d'un entretien régulier, conformément aux instructions du présent manuel de l'utilisateur.
- Les ouvertures de ventilation sur la surface de l'appareil ne doivent en aucun cas être obstruées.
- L'installation doit être adéquate (c.-à-d. appareil au niveau, capacité du système compatible avec les spécifications inscrites sur l'étiquette signalétique de l'appareil).

Commandes

Pour les modèles : CL65ROS/CL63FDOS



2) Bouton « »

Pour mettre en marche et arrêter l'appareil (ON et OFF, respectivement), tenez ce bouton enfoncé pendant environ 3 secondes.

2) Bouton « » Bouton d'économie

d'énergie : Gardez ce bouton enfoncé pendant 3

secondes pour activer ou désactiver la fonction d'économie d'énergie. Lorsque cette fonction est activée, le voyant DEL et l'écran s'éteignent, et le voyant °C/°F s'allume.

3) Voyant indicateur « » Indique que le compresseur est activé ou non.

4) Voyant indicateur « °C/°F » : Changez l'unité de mesure de la température en appuyant sur le bouton °C/°F.

5) Bouton « » : Utilisez ce bouton pour augmenter la température par tranche de 1°F (ou 1°C).

6) Bouton « » : Utilisez ce bouton pour diminuer la température par tranche de 1°F (ou 1°C).

7) Bouton « °C/°F » : Appuyez sur ce bouton pour changer l'unité de mesure affichée par le voyant indicateur, soit entre °C et °F.

8) Affichage DEL : Affiche la température à l'intérieur de l'appareil.

Réglage de la température

- Branchez le câble d'alimentation de l'appareil à une prise munie d'une mise à la terre adéquate.

- Utilisez les boutons pour régler la température voulue à l'intérieur de l'appareil. Chaque fois que vous appuyez sur les boutons

, la température augmente/diminue

de 1 degré°F (ou 1°C).

- CL65ROS

L'échelle de température réglable est de 36°F à 50°F (de 2°C à 10°C).

- CL63FDOS

L'échelle de température réglable est de 39°F à 64°F (de 4°C à 18°C).

Utilisation

Fonctions

■ Fonction de mémorisation de la température

En cas de panne de courant, l'appareil conserve en mémoire le réglage de température. Lorsque le courant revient, l'appareil se remettra en marche et le même réglage de température sera appliqué.

■ Fonction de rappel de « fermeture de porte »

Si vous oubliez de fermer la porte ou si celle-ci n'est pas bien fermée, l'appareil émettra un signal avertisseur après 5 minutes.

■ Fonction d'alarme de température

Si la température à l'intérieur de l'appareil est supérieure à 73°F (23°C), l'écran affichera « HI » et l'appareil émettra un signal sonore continu après une heure. Cette fonction d'alarme vise à vous aviser que la température est trop élevée. Veuillez vérifier les causes de cette température trop élevée. Si la température à l'intérieur de l'appareil est inférieure à 32°F (0°C), l'écran affichera « LO », l'appareil émettra un signal sonore, et l'indicateur de défaut de fonctionnement s'allumera.

REMARQUE : Si vous placez trop de bouteilles en une seule fois ou si la porte n'est pas bien fermée, l'écran affichera « HI ».

Ceci est tout à fait normal. Veuillez attendre environ 5 minutes après avoir fermé la porte; l'avis « HI » devrait disparaître de l'écran.

■ Il est normal que l'appareil affiche « HI » ou « LO » à l'occasion. Si cet affichage est fréquent ou persiste, réinitialisez l'appareil en le débranchant et le rebranchant. Si le problème est toujours présent après une réinitialisation, communiquez avec le service à la clientèle.

■ Avant de rebrancher le câble d'alimentation à une prise, attendez de 3 à 5 minutes. Un branchement trop hâtif peut endommager l'appareil. Si vous tentez de remettre en marche l'appareil avant ce délai, il ne se mettra pas en marche.

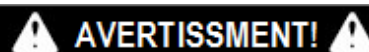
■ Si vous mettez l'appareil en marche pour une première fois ou après une réinitialisation, ou après une longue période d'inutilisation, il peut exister un écart entre la température réelle à l'intérieur de l'appareil et celle affichée sur l'écran DEL. Cet

événement, causé par la durée de la période d'activation, est tout à fait normal. Laissez l'appareil en marche pendant plusieurs heures et les températures se stabiliseront éventuellement.

Dégivrage

Il est inutile de dégivrer manuellement votre appareil, car il fonctionne sans givre.

Tablettes (modèle CL65ROS)

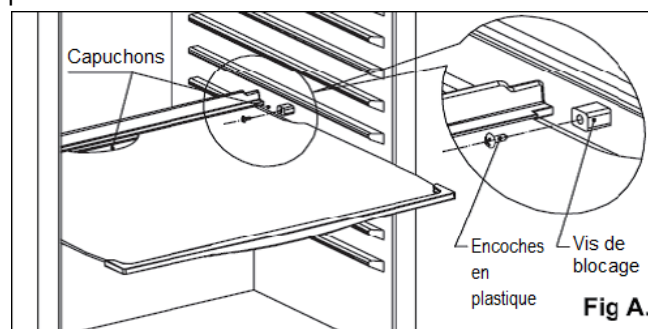


AVERTISSEMENT!

Ne couvrez pas les tablettes avec du papier d'aluminium ou tout autre matériel susceptible de nuire à la circulation de l'air à l'intérieur de l'appareil

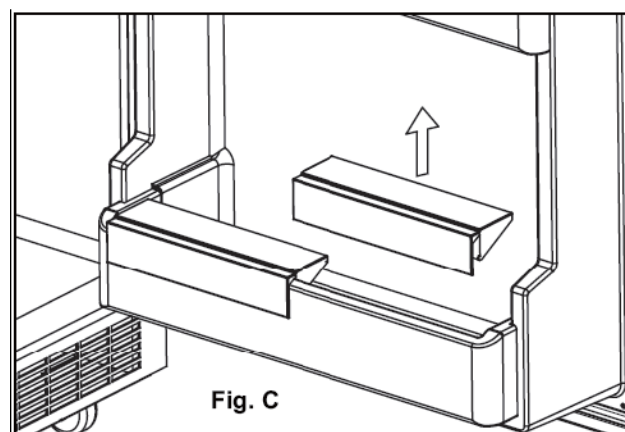
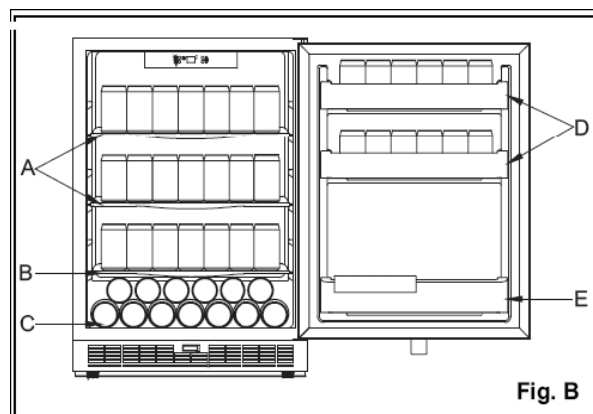
- Pour éviter d'endommager les joints de porte, assurez-vous d'ouvrir complètement la porte lorsque vous retirez une tablette.
- Pour accéder facilement à l'espace de rangement, tirez les tablettes d'environ 1/3 de leur compartiment. Veuillez noter que cet appareil a été conçu avec une encoche de chaque côté du rail de tablette pour éviter la chute des bouteilles.
- Lorsque vous enlevez une tablette de son compartiment, désassemblez et enlevez les encoches en plastique, au préalable, en enlevant la vis de verrouillage qui les tient en place. (Fig. A)

Pour réinstaller les encoches, assurez-vous que la tablette repose solidement sur ses supports et poussez-la à l'intérieur jusqu'à ce qu'elle se fixe en place



Rangement de boissons (modèle CL65ROS)

- L'appareil peut contenir jusqu'à 123 cannettes de boisson (12 oz) et des bouteilles de la taille d'un contenant de lait de 2 gallons. Veuillez consulter la Fig. B pour connaître en détail la méthode de rangement.
- Emplacement A : chaque tablette pleine longueur en verre peut contenir 35 cannettes de boisson (12 oz).
- Emplacement B : la petite tablette en verre peut contenir 28 cannettes (12 oz).
- Emplacement C : le bas de l'appareil peut contenir 13 cannettes (12 oz).
- Emplacement D : chaque tiroir de rangement peut contenir 6 cannettes (12 oz).
- Emplacement E : le compartiment à lait peut contenir deux contenants de lait d'un gallon ou bouteilles de boisson de 2 litres. Voir la Fig. C.
- Pour que l'appareil puisse conserver un contenant de lait d'un gallon, enlevez le bloc, comme illustré à la Fig. C. Conservez le bloc dans un endroit sûr, hors de la portée des enfants.
- Pour y conserver une bouteille de boisson de 2 litres, remettez le bloc en place.

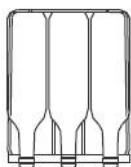


Rangement du vin et des boissons (modèle CL63FDOS)

Pour atteindre la capacité maximale de rangement, soit de 21 bouteilles et 60 cannettes:

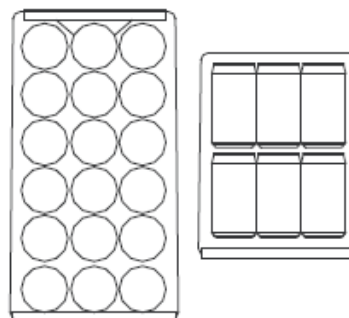
1) Compartiment de droite: Illustré à la Fig. a. Ce compartiment permet de ranger 3 bouteilles de 750 ml par étage. Capacité de rangement total : 21 bouteilles de vin.

Fig A



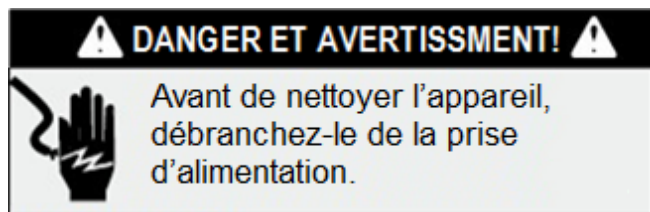
2) Compartiment de gauche: Placez les cannettes sur les trois tablettes du haut, comme illustré à la Fig. B. Ceci permet le rangement de 18 cannettes de 12 oz sur chacune des 3 tablettes du haut, et de 6 cannettes sur la tablette du bas, pour un total de 60 cannettes.

Fig B



Nettoyage et entretien

Nettoyer l'appareil

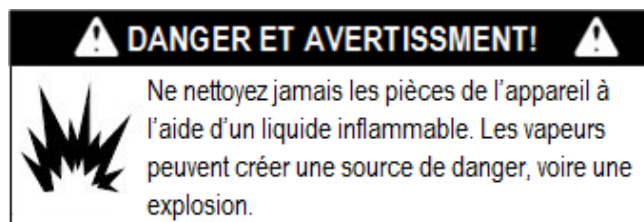


- Essuyez les surfaces intérieures avec une éponge douce légèrement trempée dans une solution de sel de table. (2 cuillères à soupe de sel dans une pinte d'eau tiède.)
- Lavez les tablettes dans l'eau chaude avec un peu de savon à vaisselle liquide, rincez et essuyez. Laissez les tablettes en bois (le cas échéant) sécher complètement à l'air libre avant de les remettre dans l'appareil.
- Utilisez un nettoyant pour verre pour nettoyer les surfaces en verre. Utilisez un nettoyant de surface en acier inoxydable en vente libre pour nettoyer les surfaces en acier inoxydable.
- Séchez toutes les pièces lavées avec une éponge légèrement mouillée à l'aide d'un linge.
- Essuyez les surfaces extérieures avec une éponge douce légèrement trempée dans une solution diluée d'eau et de savon à vaisselle. Séchez les surfaces à l'aide d'un linge sec.
- La poussière et les liquides peuvent coller les scellants à l'appareil, au point qu'ils déchirent à l'ouverture de la porte. Nettoyez chaque scellant avec un détergent doux et de l'eau chaude. Rincez et séchez complètement après lavage.



- N'utilisez pas de laine d'acier ou d'éponge munie de laine d'acier sur les surfaces en acier inoxydable, au risque de les endommager.
- N'utilisez pas de cire nettoyante, d'agent nettoyant concentré, de javellisant ou de produit nettoyant contenant du kérosène sur les pièces en plastique ou en caoutchouc.

- N'utilisez jamais de serviette en papier ou de nettoyeur pour fenêtre sur les pièces en plastique.



Déplacer l'appareil

- Avant de déplacer l'appareil, videz son contenu.
- Immobilisez les pièces mobiles se trouvant à l'intérieur de l'appareil (tablettes, etc.), par exemple à l'aide de ruban adhésif.
- Pour éviter d'endommager l'appareil, vissez les pieds réglables pour les mettre à leur taille minimale.
- Fermez la ou les portes à l'aide de ruban adhésif.
- Assurez-vous que l'appareil demeure toujours en position verticale lors du déplacement. Pour éviter d'endommager l'appareil durant le déplacement ou le transport, couvrez-le avec une couverture ou tout autre tissu doux.

Conseils pour économiser de l'énergie

- Placez l'appareil loin des sources de chaleur et évitez de l'exposer directement aux rayons du soleil.
- Veillez à ce que la ventilation de l'appareil soit suffisante. En aucun cas les ouvertures de ventilation ne doivent être obstruées.
- Ouvrez la porte uniquement lorsque nécessaire. Ne laissez pas la porte ouverte longtemps et évitez de l'ouvrir et la refermer fréquemment.
- Si l'appareil n'est pas utilisé pendant plusieurs mois, retirez son contenu et débranchez-le. Nettoyez et séchez rigoureusement l'intérieur. Pour empêcher l'apparition d'odeur ou de moisissure, laissez la ou les portes légèrement ouvertes (bloquez leur fermeture avec un objet, au besoin)

Un problème avec votre appareil?

Vous pouvez résoudre un grand nombre de problèmes courants facilement, ce qui vous fait économiser ainsi le déplacement d'un technicien. Essayez les suggestions ci-dessous avant d'avoir recours à un technicien.

Guide de dépannage

Problème	Cause possible
L'appareil ne fonctionne pas.	L'appareil n'est pas branché. L'appareil est éteint. Le disjoncteur ou le fusible du circuit est sauté.
L'appareil n'est pas suffisamment froid.	Vérifiez le réglage de température. Il est parfois nécessaire d'adapter le réglage à l'environnement extérieur. La porte est trop souvent ouverte. La porte n'est pas fermée adéquatement. Le scellant de porte ne fonctionne pas adéquatement.
L'appareil se met en marche et s'arrête fréquemment.	La température de la pièce est plus chaude que la normale. Beaucoup de contenu a été ajouté en une seule fois dans l'appareil. La porte est trop souvent ouverte. La porte n'est pas fermée adéquatement. Le réglage de température est incorrect. Le scellant de porte ne fonctionne pas adéquatement.
La lumière ne fonctionne pas.	L'appareil n'est pas branché. Le disjoncteur ou le fusible du circuit est sauté. L'ampoule est brûlée. Le bouton de la lumière est en position d'arrêt (OFF).
Présence de vibrations.	Vérifiez que l'appareil est au niveau.
L'appareil fait trop de bruit.	Un cliquetis peut être causé par le flux du liquide réfrigérant, ce qui est tout à fait normal. À la fin de chaque cycle, il se peut que vous entendiez un gargouillement; ceci est causé par le flux de liquide réfrigérant dans l'appareil. La contraction et l'expansion des parois intérieures peuvent provoquer des bruits de craquement ou d'éclat. L'appareil n'est pas au niveau.
La porte n'est pas fermée adéquatement.	L'appareil n'est pas au niveau. La porte a été inversée et mal réinstallée. Le scellant est sale. Les tablettes ne sont pas bien positionnées.

Garantie limitée

INFORMATION SUR LA GARANTIE DES PIÈCES ET DE LA MAIN-D'ŒUVRE

Les appareils SUMMIT sont fabriqués dans l'optique d'offrir une valeur exceptionnelle, et en visant votre entière satisfaction, et ce, pour chaque produit. Tous les grands produits SUMMIT sont couverts d'une garantie limitée d'un an, valable sur les pièces et la main-d'œuvre. Tous les réfrigérateurs et congélateurs font l'objet d'une garantie supplémentaire de quatre (4) ans sur le compresseur. Certaines exceptions peuvent s'appliquer.

Certains modèles (y compris les cuisinières, les fours muraux et les tables de cuisson SUMMIT) sont fabriqués pour nous aux États-Unis et font l'objet d'une garantie du fabricant (également d'un an sur les pièces et la main-d'œuvre sur place).

Pour obtenir de plus amples renseignements au sujet de la garantie, veuillez communiquer avec nous.

GARANTIE GÉNÉRALE SUR LES PIÈCES ET LA MAIN-D'ŒUVRE

SUMMIT garantit à l'acheteur original que toutes les nouvelles unités, l'appareil et toutes ses pièces contre tout défaut de fabrication et de matériel, à condition d'une utilisation normale et adéquate du produit et d'un entretien adéquat, comme décrit par SUMMIT, et à condition d'une installation et d'une mise en marche adéquates, conformément aux instructions fournies pour chaque unité SUMMIT. La responsabilité de SUMMIT dans le cadre de cette garantie se limite à une période de douze (12) mois à partir de la date d'achat originale.

Toutes les pièces couvertes par cette garantie qui, selon l'avis de SUMMIT, sont défectueuses, dans la période couverte par la garantie, sont limitées à leur réparation ou remplacement, y compris les frais de main-d'œuvre, de pièces défectueuses ou d'assemblage. La garantie sur la main-d'œuvre comprend les frais préapprouvés de main-d'œuvre à temps simple seulement, ainsi que les frais raisonnables de déplacement, selon l'avis de SUMMIT.

GARANTIE DU COMPRESSEUR

En plus de la période de garantie susmentionnée, SUMMIT garantit le compresseur scellé hermétiquement contre tout défaut de matériel et de fabrication, à condition d'une utilisation normale et adéquate du produit et d'un entretien adéquat, pour une période de 60 mois à partir de la date d'achat originale. Un compresseur qui, selon SUMMIT, est considéré comme défectueux au cours de la période couverte par la garantie sera, à l'option de SUMMIT, réparé avec des pièces d'un modèle et d'une capacité similaires, ou remplacé par un modèle d'une capacité similaire. La garantie prolongée sur le compresseur susmentionnée s'applique uniquement aux pièces scellées hermétiquement du compresseur; ELLE NE S'APPLIQUE PAS à d'autres pièces ou composantes, y compris, sans s'y limiter, à l'appareil, à la peinture de finition, aux commandes de température, au système réfrigérant, aux dispositifs de mesure, aux appareils de séchage, à l'équipement de démarrage du moteur, à l'assemblage de ventilation, aux autres composantes électriques, etc.

RÉCLAMATION COUVERTE PAR LA GARANTIE

Toutes les réclamations couvertes par la garantie pour un défaut de main-d'œuvre ou de matériel doivent être soumises directement à SUMMIT. Toutes les réclamations doivent inclure le numéro de modèle de l'unité, le numéro de série de l'appareil, une preuve d'achat, la date d'installation, et tous les renseignements pertinents venant appuyer le présumé défaut. Si la garantie visée est celle du compresseur, l'étiquette de modèle du compresseur doit être envoyée à SUMMIT, ainsi que les renseignements susmentionnés. Toutes réclamations doivent être soumises dans les 30 jours de la fin de la réparation, sans quoi elles peuvent être refusées.

CE QUE LA GARANTIE NE COUVRE PAS

La seule responsabilité de SUMMIT dans le cadre de cette garantie se limite à la réparation ou le remplacement de pièces, et fait l'objet des limitations décrites ci-dessous. Cette garantie n'assume et n'autorise personne à assumer des responsabilités autres que celles expressément couvertes par cette garantie.

AUCUN DOMMAGE INDIRECT : SUMMIT n'est aucunement responsable des pertes économiques, de profit ou des dommages directs ou indirects, y compris, sans s'y limiter, aux pertes ou aux dommages causés par une réclamation pour détérioration d'aliments ou de produits, que cette détérioration soit causée ou non par un défaut de réfrigération. **GARANTIE NON TRANSFÉRABLE** : Cette garantie n'est pas transférable et s'applique uniquement à l'acheteur/utilisateur original à qui l'appareil a été livré. Tout transfert du produit annule les présentes garanties ainsi que toutes les éventuelles garanties, expresse ou tacites, y compris la commerciabilité et l'adaptation à un usage particulier.

MAUVAISE UTILISATION : SUMMIT n'assume aucune responsabilité pour les pièces ou la main-d'œuvre en matière de défaut de composante ou autre dommage causé par une mauvaise utilisation ou installation, ou un manque d'entretien ou de nettoyage de l'appareil, conformément aux renseignements sur la garantie fournis avec l'unité. **ALTÉRATION, NÉGLIGENCE, ABUS, MAUVAISE UTILISATION, ACCIDENT, DOMMAGE PENDANT UN DÉPLACEMENT OU L'INSTALLATION, INCENDIE, INONDATION, FORCE MAJEURE** : SUMMIT n'est pas responsable de la réparation ou du remplacement d'une quelconque pièce qui, selon SUMMIT, a fait l'objet d'une altération, de négligence, d'abus, d'une mauvaise utilisation, d'un accident, de dommages durant un déplacement ou l'installation, d'un incendie, d'une inondation ou d'un cas de force majeure après la date de fabrication.

MAUVAISE CONNEXION ÉLECTRIQUE : SUMMIT n'est pas responsable du remplacement ou de la réparation de composantes défectueuses ou endommagées dont le défaut est causé par un problème d'alimentation électrique, l'utilisation d'une rallonge, une tension faible ou des baisses de tension dans l'alimentation électrique de l'appareil.

AUCUNE GARANTIE DE COMMERCIALITÉ OU D'ADAPTATION À UN USAGE PARTICULIER : Ce produit ne fait l'objet d'aucune garantie, expresse ou tacite, à l'exception de la garantie sur les pièces et la main-d'œuvre et la garantie supplémentaire sur le compresseur susmentionnées. Ces garanties sont exclusives et remplacent toutes les autres garanties, notamment les garanties tacites et les garanties de commerciabilité et d'adaptation à un usage particulier. Il n'existe aucune autre garantie au-delà des présentes descriptions.

À L'EXTÉRIEUR DU TERRITOIRE LIMITROPHE DES ÉTATS-UNIS : Cette garantie ne s'applique pas aux réclamations sur un produit vendu ou utilisé à l'extérieur du territoire limitrophe des États-Unis, soit les 48 États, et SUMMIT n'est pas responsable de ces réclamations. Précision : cette garantie ne couvre pas les États de l'Alaska, d'Hawaï et les territoires d'outre-mer.

DEMANDE DE SERVICE : Si vous souhaitez obtenir un service, veuillez remplir le formulaire de demande de service qui se trouve sur notre site Web à l'adresse www.summitappliance.com/support, ou téléphonez-nous au 800-932-4267 ou 718-893-3900. Veuillez préparer les renseignements suivants avant de communiquer avec nous : votre nom, adresse, numéro de téléphone, adresse électronique, le modèle et numéro de série du produit en question, la date d'achat, le lieu de l'achat, et une description du problème.

AVERTISSEMENT! Ce produit peut contenir des produits chimiques qui, selon l'État de Californie, peuvent causer le cancer, des anomalies congénitales, ou d'autres troubles de reproduction. Pour obtenir de plus amples renseignements, veuillez visiter le site : www.summitappliance.com/prop65. Produits chimiques dont le fabricant connaît la présence et dont le taux de concentration est supérieur aux limites établies : **AUCUN.**

FELIX STORCH, INC. | 770 Garrison Avenue | Bronx, NY 10474
Téléphone : 718-893-3900 | Télécopieur : 718-842-3093
www.summitappliance.com

Imprimé en Chine