

BI1215SOD • 15" Outdoor Crescent Ice Maker • Outdoor Series

FEATURES & BENEFITS



STAINLESS SOLID

PERFORMANCE	<ul style="list-style-type: none"> • Uses less than 3 gallons of water to produce up to 25 lbs of ice per day • Up to 25 lbs in ice storage capacity • Daily ice production rate is approx. 4 times greater than the average household refrigerator • Crescent ice cube dimensions: 1/2" W x 3/4" H x 2 1/4" L • On/Off switch is conveniently located on lower face of unit
INTERIOR/EXTERIOR	<ul style="list-style-type: none"> • No drain required • Stainless steel handle • Full stainless steel cabinet and door are deemed suitable for outdoor use by UL • Door swing is field reversible, and is shipped right-hand hinged
INTEGRATION	<ul style="list-style-type: none"> • Unit is designed to be built-in or can be freestanding • Four independently adjustable leveling legs provide a precise undercounter fit

MODEL DETAILS

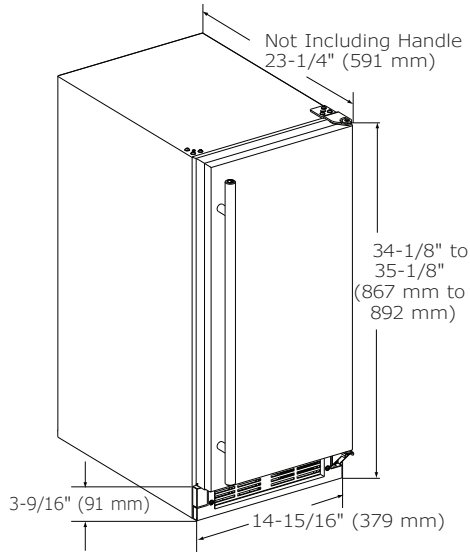
Model	Voltage/Hz	Door Swing	Finish	Shipping Weight
U-BI1215SOD-00B	115 / 60	Field Reversible	Stainless Solid	89 lb

ACCESSORIES

Model	Description	Finish	Shipping Weight
80-54674-00	Braided water supply line kit	N/A	2 lb

Outdoor Series • 15" Outdoor Crescent Ice Maker • **BI1215SOD**

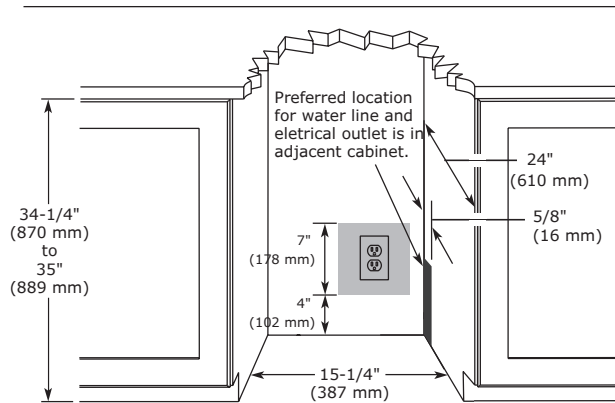
DIMENSIONS



SPECIFICATIONS

Model	BI1215SOD
Amps: Running	2.5
Control Type	On/Off Switch
Defrost Type	Manual
Dimensions: Depth	23 1/4" / 591 mm
Dimensions: Height	34 1/8" / 867 mm
Dimensions: Width	14 15/16" / 379 mm
ENERGY STAR	N/A
Ice Production Per Day	25 lb
Ice Storage	25 lb
Product Weight: Max	83 lb
Refrigerant Type	R134a
Sabbath (Star K Certified)	No

CABINET CUT-OUT



INSTALLATION NOTES

When installing adjacent to wall, ensure 2-1/2" clearance on hinged side for 90° door opening, allowing ample room for door handle.

No additional clearance around sides, top or rear of unit is needed for ventilation.

Do not obstruct front grille air flow.

ELECTRICAL REQUIREMENTS

This unit requires a grounded, polarized 115 VAC, 60 Hz, 15 A power supply (normal household current).



Warranty

Please visit u-line.com to view this model's User Guide & Service Manual. All Specifications are subject to change without notice.

Deemed suitable for outdoor use by UL.