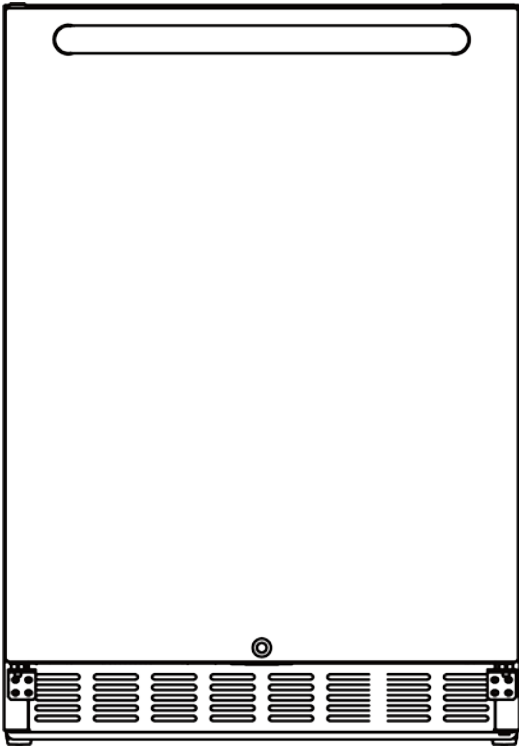
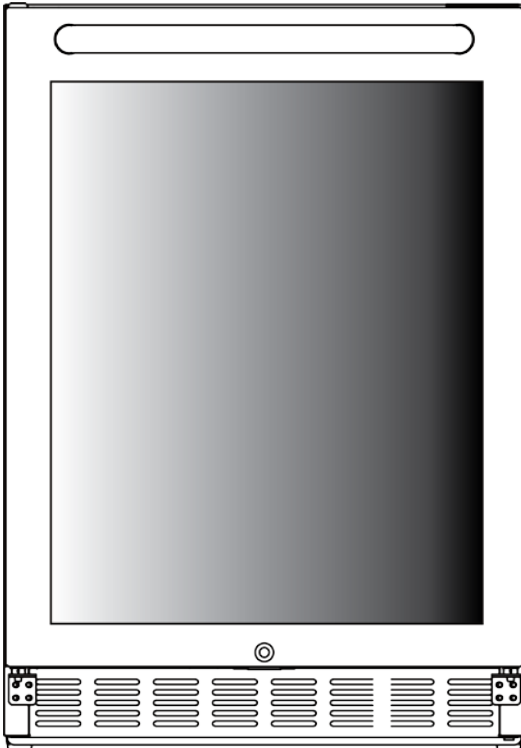


# Avanti®

<b>Models / Modelos / Modelés:</b>	<b>OR51Z3SSN / COR51Z3SGN</b>
<b>REFRIGERATOR / FREEZER REFRIGERADOR / CONGELADOR RÉFRIGÉRATEUR / CONGÉLATEUR</b>	<b>INSTRUCTION MANUAL MANUAL DE INSTRUCCIONES MANUEL D'INSTRUCTIONS</b>
	
<b>OR51Z3SSN SOLID STAINLESS STEEL DOOR</b>	<b>COR51Z3SGN GLASS DOOR</b>

**BEFORE USE, PLEASE READ AND FOLLOW ALL SAFETY RULES AND OPERATING INSTRUCTIONS.**

**Avanti has a policy of continuous improvement on its products and reserves the right to change materials and specifications without notice.**

---

**Avanti Products LLC**  
**P.O. Box 520604**  
**Miami, FL 33152**  
**[www.avantiproducts.com](http://www.avantiproducts.com)**

---

## TABLE OF CONTENTS

Appliance Safety	3
Important Safeguides	4
Help Us Help You	5
Parts and Features	6
Important Safety Instructions	7
Installation Instructions	7
Before Using Your Appliance	7
Installation of Your Appliance	7
Electrical Connection	8
Operating Your Appliance	9
Reversing the Door of Your Appliance Installing the Stainless-Steel Door Handle Door Lock Temperature Control Interior Lighting Defrosting Your Appliance	9 – 11
Care and Maintenance	11
Cleaning Your Appliance	11
Moving Your Appliance	11
Energy Saving Tips	12
Troubleshooting Guide	13
Service for Your Appliance	14
Wiring Diagram	14
Your Avanti Products Warranty	15
Instrucciones en Español	16 – 27
Instructions en Français	28 - 40
Registration Information and Registration Card	Last page

## **APPLIANCE SAFETY**

**Your safety and the safety of others are very important.**

We have provided many important safety messages in this manual and on your appliance. Always read and obey all safety messages.



This is the Safety Alert Symbol. This symbol alerts you to potential hazards that can kill or injure you and others. All safety messages will follow the Safety Alert Symbol and either the words "DANGER", "WARNING" or "CAUTION".



Danger means that failure to heed this safety statement may result in severe personal injury or death.



Warning means that failure to heed this safety statement may result in extensive product damage, serious personal injury, or death.

**CAUTION**

Caution means that failure to heed this safety statement may result in minor or moderate personal injury, or property or equipment damage.

All safety messages will alert you to what the potential hazard is, tell you how to reduce the chance of injury, and let you know what can happen if the instructions are not followed.

### **FLAMMABLE REFRIGERANT GAS**

**DANGER** - Risk of fire or explosion. Flammable refrigerant used.

**DO NOT use mechanical devices to defrost refrigerator. DO NOT puncture refrigerant tubing.**

**DANGER** - Risk of fire or explosion. Flammable refrigerant used. To be repaired only by trained service personnel. **DO NOT** puncture refrigerant tubing.

**CAUTION** - Risk of fire or explosion. Flammable refrigerant used. Consult repair manual / owner's guide before attempting to service this product. All safety precautions must be followed.

**CAUTION** - Risk of fire or explosion. Dispose of property in accordance with federal or local regulations. Flammable refrigerant used.

**CAUTION** - Risk of fire or explosion due to puncture of refrigerant tubing. Follow handling instructions carefully. Flammable refrigerant used.

**CAUTION** - To prevent a child from being entrapped, keep out of reach of children and not in the vicinity of the cooler.

## IMPORTANT SAFEGUARDS



Before the beverage cooler is used, it must be properly positioned and installed as described in this manual, so read the manual carefully. To reduce the risk of fire, electrical shock or injury when using the beverage cooler, follow basic precautions, including the following:

### DANGER

- Plug into a grounded 3-prong outlet, do not remove grounding prong, do not use an adapter, and do not use an extension cord
- Replace all panels before operating
- It is recommended that a separate circuit, serving only your beverage cooler, be provided. Use receptacles that cannot be turned off by a switch or pull chain
- Never clean appliance parts with flammable fluids. These fumes can create a fire hazard or explosion. And do not store or use gasoline or other flammable vapors and liquids in the vicinity of this or any other appliance. The fumes can create a fire hazard or explosion.
- Before proceeding with cleaning and maintenance operations, make sure the power line of the unit is disconnected.
- Do not connect or disconnect the electric plug when your hands are wet
- Unplug the appliance or disconnect the power before cleaning or servicing. Failure to do so can result in electrical shock or death.
- Do not attempt to repair or replace any part of your appliance unless it is specifically recommended in this material. All other servicing should be referred to a qualified technician.

### WARNING

- Use two or more people to move and install the appliance. Failure to do so can result in back or other injury.
- To ensure proper ventilation for your appliance, the unit must be completely unobstructed. Choose a well-ventilated area with temperatures above 55°F (13°C) and below 90°F (32 °C). This unit must be installed in an area protected from the elements, such as wind, rain, water spray or sunlight.
- The appliance should not be located next to ovens, grills or other sources of high heat.
- The appliance must be installed with all electrical, water and drain connections in accordance with state and local codes. A standard electrical supply (115 V AC only, 60 Hz), properly grounded in accordance with the National Electrical Code and local codes and ordinances is required.
- Do not kink or pinch the power supply cord of the appliance.
- The fuse (or circuit breaker) size should be 15 amperes.
- It is important for the appliance to be leveled in order to work properly. You may need to make several adjustments to level it.
- All installation must be in accordance with local plumbing code requirements.
- Make certain that the pipes are not pinched or kinked or damaged during installation.
- Check for leaks after connection.
- Never allow children to operate, play with or crawl inside the appliance
- Do not use solvent-based cleaning agents or abrasives on the interior. These cleaners may damage or discolor the interior.
- Do not use this apparatus for other than its intended purpose.

## HELP US HELP YOU...

---

### Read this guide carefully.

It is intended to help you operate and maintain your new appliance properly.

Keep it handy to answer your questions. If you don't understand something or you need more help, please call:

**Avanti Customer Service**  
**800-220-5570**

Keep proof of original purchase date (such as your sales slip) with this guide to establish the warranty period.

### **CAUTION:**

**THIS APPLIANCE IS NOT  
DESIGNED FOR THE STORAGE  
OF MEDICINE OR OTHER  
MEDICAL PRODUCTS.**

### Write down the model and serial numbers.

You'll find them on a plate located on the rear outside wall of the appliance.

Please write these numbers here:

\_\_\_\_\_  
Date of Purchase

\_\_\_\_\_  
Model Number

\_\_\_\_\_  
Serial Number

Use these numbers in any correspondence or service calls concerning your appliance.

If you received a damaged appliance, immediately contact the dealer (or builder) that sold you the appliance.

Save time and money. Before you call for service, check the Troubleshooting Guide. It lists causes of minor operating problems that you can correct yourself.

## IF YOU NEED SERVICE

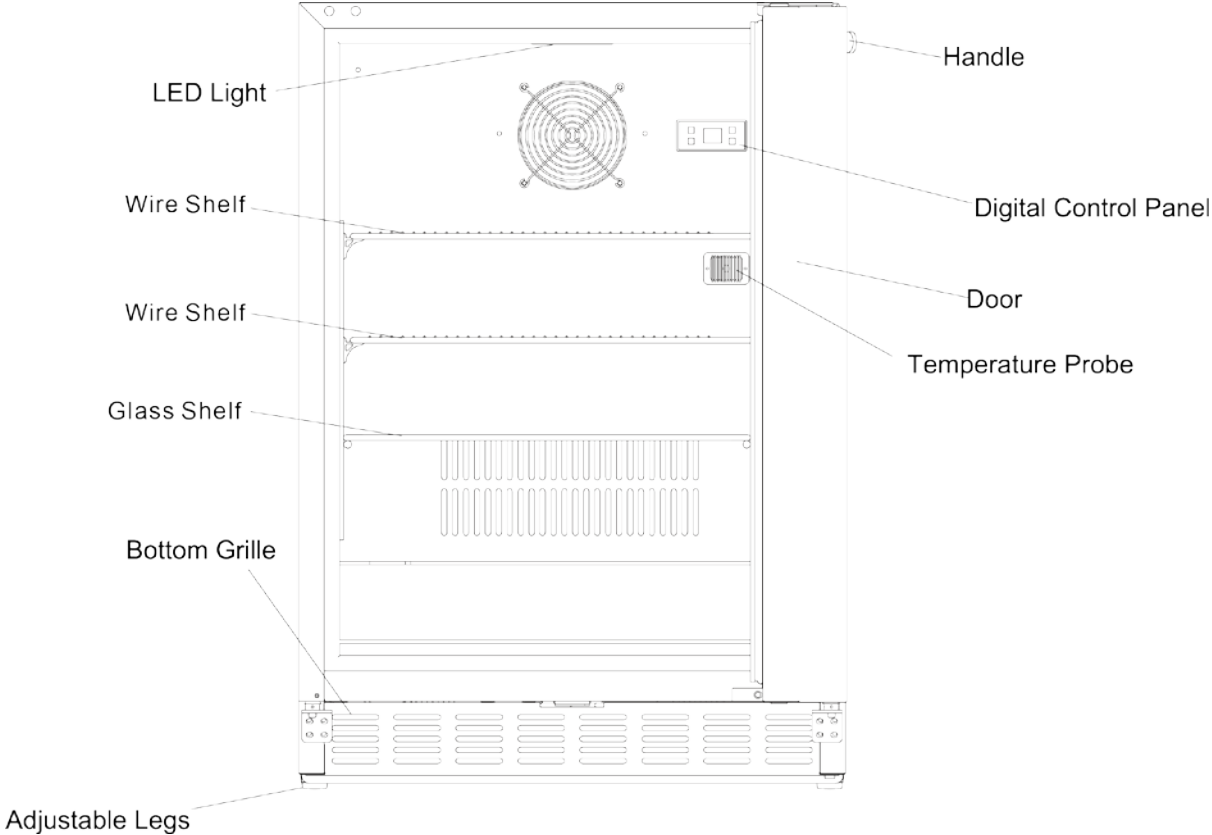
---

We're proud of our service and want you to be pleased. If for some reason, you are not happy with the service you receive, here are some steps to follow for further assistance. FIRST, contact the people who serviced your appliance. Explain why you are not pleased. In most cases, this will solve the problem.


NEXT, if you are still not pleased, write all the details, including your telephone number, and send it to:

**Customer Service**  
**Avanti Products**  
**10880 NW 30 Street**  
**Miami, FL 33172 USA**

# PARTS AND FEATURES



## IMPORTANT SAFETY INSTRUCTIONS

	To reduce the risk of fire, electrical shock, or injury when using your refrigerator, follow these basic precautions:
---	---

### This Unit Is Designed for Indoor and Outdoor Use - SAVE THESE INSTRUCTIONS -

- Read all instructions before using the refrigerator.
- **DANGER or WARNING:** Risk of child entrapment. Child entrapment and suffocation are not problems of the past. Junked or abandoned refrigerators are still dangerous . . . even if they will “just sit in the garage a few days”.
- **Before you throw away your old refrigerator:** take off the doors. Leave the shelves in place so that children may not easily climb inside.
- Never allow children to operate, play with, or crawl inside the refrigerator.
- Never clean refrigerator parts with flammable fluids. The fumes can create a fire hazard or explosion.
- Do not store or use gasoline or any other flammable vapors and liquids in the vicinity of this or any other refrigerator. The fumes can create a fire hazard or explosion.

## INSTALLATION INSTRUCTIONS

### *Before Using Your Refrigerator*

- Remove the exterior and interior packing.
- Check to be sure you have all of the following parts:
  - 2 Wire shelves
  - 1 Glass Shelf
  - 2 Keys
  - 1 Handle
  - 4 Casters (2 – Standard, 2 – With Brakes)
  - Instruction Manual
- Before connecting the unit to the power source, let it stand upright for approximately 2 hours. This will reduce the possibility of a malfunction in the cooling system from handling during transportation.
- Clean the interior surface with lukewarm water using a soft cloth.

### *Installation of Your Refrigerator*

- This appliance is designed to be for free standing installation, recessed or built-in (fully recessed).
- Place your Appliance on a floor that is strong enough to support it when it is fully loaded. To level your Appliance, adjust the front leveling legs at the bottom of the Appliance.
- Locate the Appliance away from direct sunlight and sources of heat (stove, heater, radiator, etc.). Direct sunlight may affect the acrylic coating and heat sources may increase electrical consumption. Extreme cold ambient temperatures may also cause the unit not to perform properly.
- Plug the Appliance into an exclusive, properly installed-grounded wall outlet. Do not under any circumstances cut or remove the third (ground) prong from the power cord. Any questions concerning power and/or grounding should be directed toward a certified electrician or an authorized Avanti Products service center.
- Avoid locating the refrigerator in moist areas. Too much moisture in the air will cause frost to form quickly on the evaporator requiring more frequent defrosting of the refrigerator.

## **Electrical Connection**

### **⚡Warning⚡**

Improper use of the grounded plug can result in the risk of electrical shock. If the power cord is damaged, have it replaced by an authorized Avanti Products service center.

This appliance should be properly grounded for your safety. The power cord of this appliance is equipped with a three-prong plug which mates with standard three prong wall outlets to minimize the possibility of electrical shock.

Do not under any circumstances cut or remove the third ground prong from the power cord supplied.

This appliance requires a standard 115Volts~/60Hz electrical outlet with three-prong ground.

The cord should be secured behind the appliance and not left exposed or dangling to prevent accidental injury.

Never unplug the appliance by pulling the power cord. Always grip the plug firmly and pull straight out from the receptacle.

Do not use an extension cord with this appliance. If the power cord is too short, have a qualified electrician or service technician install an outlet near the appliance.

#### ➤ **EXTENSION CORD**

Because of potential safety hazards under certain conditions, it is strongly recommended that you do not use an extension cord with this unit. However, if you must use an extension cord it is absolutely necessary that it be a UL/CUL-Listed, 3-wire grounding type appliance extension cord having a grounding type plug and outlet and that the electrical rating of the cord be 115 volts and at least 10 amperes.

#### ➤ **SURGE PROTECTOR**

Most electrical appliances use a series of electric control boards to operate. These boards are very susceptible to power surges and could be damaged or destroyed.

If the appliance is going to be used in an area or if your city / country is prone to power surges / outages; it is suggested that you use a power surge protector for all electrical devices / appliances you use. The surge protector that you select must have a surge block high enough to protect the appliance it is connected to. If you have any questions regarding the type and size of surge protector needed contact a licensed electrician in your area.

Damages due to power surges are not considered a manufacturer covered defect and will void your product warranty.



## **REVERSING THE DOOR SWING OF YOUR REFRIGERATOR**

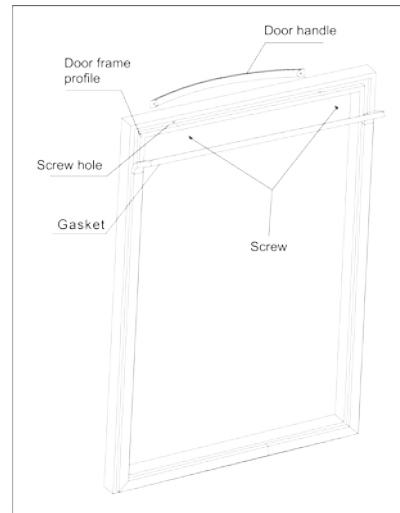
This refrigerator-freezer has the capability of the doors opening from either the left or right side. The unit is delivered to you with the doors opening from the left side. Should you desire to reverse the opening direction, please call service for reversal instructions.

## **INSTALLING STAINLESS STEEL HANDLE**

This appliance includes a stainless-steel handle that is not required to operate this unit.

To install the handle please follow the below instructions:

1. Pull away the door gasket in the area where the handle is to be installed as shown in Illustration. The gasket is easily displaced by hand, no tools are necessary.
2. Locate the screws included in the bag with the user's guide. Insert the screws into the holes as shown.
3. Align the handle with the screws installed. Tighten the screws using a Phillips head screwdriver until the handle sets both flush and secured tightly against the door frame. (DO NOT over tighten as this will cause damage to the handle assembly).
4. Replace the door gasket to its original position.



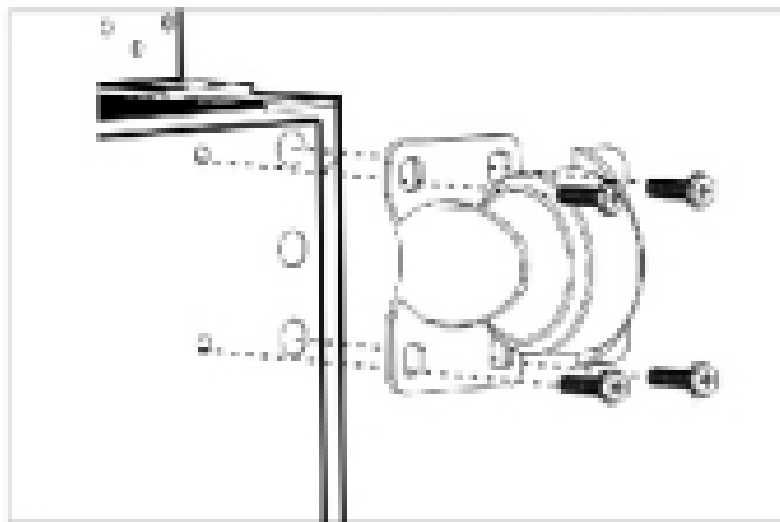
## **DOOR LOCK**

Your unit is provided with a lock and key combination.

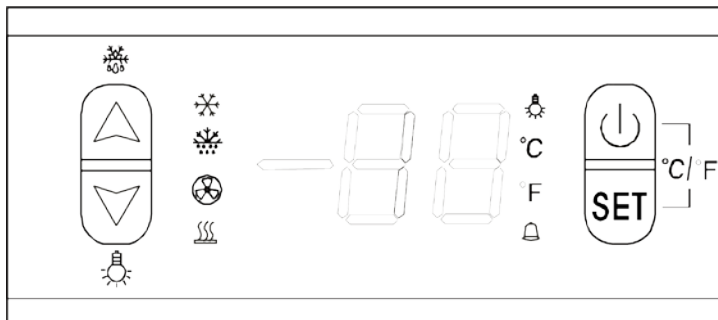
The keys are located inside the plastic bag that contains the User's Guide. Insert the key into the lock and turn it counterclockwise to unlock the door. To lock the door do the reverse operation making sure metal pin is engaged completely. Remove the key and place it in a secure place for safekeeping.

## **CASTER INSTALLATION**

- 1) Remove everything from inside the cabinet and lay the unit on a clean, dry, and padded surface.
- 2) Install the casters into the holes on the bottom of the unit and tighten with a Phillips head screwdriver.
- 3) The (2) two casters equipped with brakes / locks should be installed on the front of the unit.
- 4) Once all four casters are installed, carefully return the unit to the upright position.
- 5) Allow the unit to sit in the upright position for 8 – 10 hours to allow the refrigerant to settle before plugging in and turning the unit on.



## OPERATING YOUR REFRIGERATOR



### **ON/OFF POWER**

To turn the appliance ON / OFF, touch the POWER button or  mark and hold for 5 seconds.

### **SETTING THE TEMPERATURE CONTROL**

- You can set the temperature as you desire by pressing the SET button and then touching the **UP** or **DOWN** mark. When you touch the two marks for the first time, the LED readout will show the original temperature set at previous time .
- The temperature that you desire to set will increase 1°F or 1°C if you touch the **UP** mark once, on the contrary the temperature will decrease 1°F or 1°C if you touch the **DOWN** mark once.
- The temperature inside the unit will be appeared in the display window.

#### **NOTE:**

- If the unit is unplugged, power lost, or turned off, you must wait 3 to 5 minutes before restarting the unit. If you attempt to restart before this time delay, the appliance will not start.
- When you use the appliance for the first time or restart the appliance after having been shut off for a long time, there could be a few degrees variance between the temperature you select and the one indicated on the LED readout. This is normal and it is due to the length of the activation time. Once the appliance is running for a few hours everything will be back to normal.

### **INTERIOR LIGHT**


Model: OR51Z3SSN

When you open the door, the light will turn ON automatically. When you close the door, the light will turn OFF automatically. There is also a light switch located on the control panel which will allow you to turn the light on/off while the door is open.

Model: COR51Z3SGN

Press the light switch located on the control panel to turn the light on/off.

### **°C / °F DISPLAY**

To change the way the temperature is displayed in the control panel from °F to °C, simply press the power button marked  and the SET button simultaneously. The control panel display will flash the new setting and then will show the current temperature of the cabinet.

### **Door Ajar Alarm (Model OR51Z3SSN ONLY)**

If the door has been left open for more than 60 seconds, an alarm will sound and continue to sound until any of the buttons on the control panel is pressed or the door is closed.

### **Temperature Alarm**

If at any time the inner temperature of the unit raises above safe levels, an alarm will sound prompting the user to check for the reason for the temperature issue.

Temperatures higher than 86°F/30°C or lower than 5°F/-15°C will activate the alarm.

Possible reasons could be: Warm fresh food / drinks were placed in the unit. Too much warm ambient air has entered the unit when the door has been left open for too long. Power Failure for a long time. The appliance is having technical issues and should be evaluated by an authorized tech.

## ***Defrosting Your Refrigerator***

**When?** For the most efficient operation and minimum energy consumption, defrost the freezer compartment when the frost on the refrigerator walls is excessive or ¼ inch thick.

There is no need to defrost the refrigerator compartment, because ice depositing on the inner back wall is defrosted automatically. Ice may deposit on the inner back wall during the compressor operation; later, when the compressor is not operating the ice will defrost and the water drops collect and drain through the outlet in the inner back wall into the drain pan situated above the compressor, from where it evaporates.

### **How?**

- Press and hold the UP-ARROW button for (6) six seconds.
- The defrost icon will light up on the control panel indicating it is in defrost mode.
- Remove the frozen food from the refrigerator and place it in a cooler to protect the food.
- Once the defrost icon is turned off and the appliance has begun to cool again, wait for the unit to start cooling and then replace all food and beverages.

**CAUTION:** *Do not use boiling water because it may damage the plastic parts. In addition, never use a sharp or metallic instrument to remove frost as it may damage the cooling coils and will void the warranty. We recommend using a plastic scraper.*

## **CARE AND MAINTENANCE**

### ***Cleaning the Refrigerator***

- Turn the unit off, unplug the unit, and remove the food and baskets.
- Wash the inside with a warm water and baking soda solution. The solution should be about 2 tablespoons of baking soda to a quart of water.
- Wash the baskets with a mild detergent solution.
- The outside of the unit should be cleaned with mild detergent and warm water.

**CAUTION:** *Failure to unplug the refrigerator could result in electrical shock or personal injury.*

### ***Power Failure***

Most power failures are corrected within a few hours and should not affect the temperature of your refrigerator-freezer if you minimize the number of times the door is opened. If the power is going to be off for a longer period of time, you need to take the proper steps to protect your food.

### ***Vacation Time***

**Short vacations:** Leave the unit operating during vacations of less than three weeks.

**Long vacations:** If the refrigerator will not be used for several months, remove all food and unplug the power cord. Clean and dry the interior thoroughly. To prevent odor and mold growth, leave the door open slightly: blocking it open if necessary

### ***Moving Your Refrigerator***

- Remove all the food.
- Securely tape down all loose items inside your unit.
- Turn the leveling screws up to the base to avoid damage.
- Tape the doors shut.
- Be sure the unit stays in the upright position during transportation.

### ***Energy Saving Tips***

- The unit should be located in the coolest area of the room, away from heat producing refrigerators or heating ducts, and out of direct sunlight.
- Let hot foods cool to room temperature before placing them in the unit. Overloading the unit forces the compressor to run longer. Foods that freeze too slowly may lose quality, or spoil.
- Be sure to wrap foods properly, and wipe containers dry before placing them in the unit. This cuts down on frost build-up inside the freezer.
- Organize and label food to reduce door openings and extended searches. Remove as many items as needed at one time, and close the door as soon as possible.

## TROUBLESHOOTING GUIDE

You can solve many common refrigerator-freezer problems easily, saving you the cost of a possible service call. Try the suggestions below to see if you can solve the problem before calling for service.

PROBLEM	POSSIBLE CAUSE
Refrigerator does not operate.	Not plugged in. The circuit breaker tripped or blown fuse.
Refrigerator does not cool.	The refrigerator power is turned off.
Compressor turns on and off frequently.	Condenser coil at the back of the unit is dirty. The room temperature is hotter than normal. A large amount of food has been added to the refrigerator. The door is open too often. The door is not closed completely. The temperature control is not set correctly. The door gasket does not seal properly. The refrigerator does not have the correct clearances. (5" to both sides and back of unit)
The light does not work.	The home circuit breaker or fuse has tripped. The refrigerator is unplugged. The bulb has burned out (see the maintenance section for the replacement procedure).
Vibrations.	Check to assure that the refrigerator is level.
The refrigerator seems to make too much noise.	The rattling noise may come from the flow of the refrigerant, which is normal. As each cycle ends, you may hear gurgling sounds caused by the flow of refrigerant in your refrigerator. Contraction and expansion of the inside walls may cause popping and crackling noises. The refrigerator is not level.
The door will not close properly.	The refrigerator is not level. The doors were reversed and not properly installed. The gasket is dirty. The shelves, bins, or baskets are out of position.

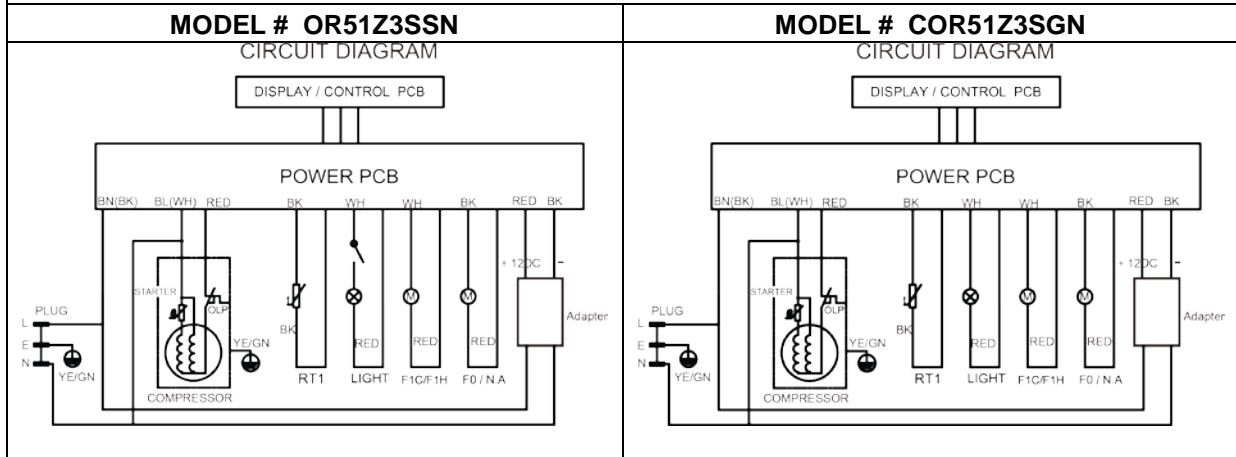
## SERVICE FOR YOUR APPLIANCE

We are proud of our customer service organization and the network of professional service technicians that provide service on your Avanti appliances. With the purchase of your Avanti appliance, you can have the confidence that if you ever need additional information or assistance the Avanti Products Customer Service team will be here for you. Just call us toll-free.

## AVANTI PRODUCTS CUSTOMER SERVICES

Product Information 800-323 5029	Whatever your questions are about our products, help is available.
Part Orders 800-220 5570	You may order parts and accessories that will be delivered directly to your home. You may order these items by personal check, money order, Master Card, or Visa.
In-Home Repair Service 800-220 5570	An Avanti Products authorized service center will provide expert repair service, scheduled at a time that is convenient for you. Our trained servicers know your appliance inside and out.

## WIRING DIAGRAM



<b>YOUR AVANTI PRODUCTS WARRANTY</b>	<b>Staple your sales receipt here. Proof of original purchase date is needed to obtain service under warranty.</b>
--------------------------------------	--

**WHAT IS COVERED – LIMITED ONE-YEAR WARRANTY**

Avanti Products warrants that the product is free from defects in materials and/or workmanship for a period of twelve (12) months from the date of purchase by the original owner. The foregoing timeline begins to run upon the date of purchase, and shall not be stalled, tolled, extended, or suspended for any reason whatsoever unless described in detail in the warranty document. For one year from the date of purchase by the original owner, Avanti products will, at its option, repair or replace any part of the product which proves to be defective in material or workmanship under normal use. Avanti Products will provide you with a reasonably similar product that is either new or factory refurbished. During this period Avanti Products will provide all parts and labor necessary to correct such defects free of charge, so long as the product has been installed and operated in accordance with the written instructions in this manual. In rental or commercial use, the warranty period is 90 days. All Avanti appliances of 4.2 cubic feet capacity or less must be brought/sent to the appliance service center for repair.

**LIMITED SECOND THROUGH FIFTH YEAR WARRANTY**

For the second through the fifth year from the date of original purchase, Avanti Products will provide a replacement compressor free of charge due to a failure. You are responsible for the service labor and freight charges. In rental or commercial use, the limited compressor warranty is one year and nine months. Costs involved to move the product to the service center and back to the user's home, as maybe required, are the user's responsibility.

**WARRANTY EXCLUSIONS / WHAT IS NOT COVERED:**

The warranty coverage described herein excludes all defects or damage that are not the direct fault of Avanti Products, including without limitation, one or more of the following:

- |   |   |
|---|---|
| <ul style="list-style-type: none"> <li>● A failure to comply with any applicable state, local, city, or county electrical, plumbing and/or building codes, regulations, or laws, including failure to install the product in strict conformity with local fire and building codes and regulations.</li> <li>● Any external, elemental and/or environmental forces and factors, including without limitation, rain, wind, sand, floods, fires, mud slides, freezing temperatures, excessive moisture or extended exposure to humidity, lightning, power surges, structural failures surrounding the appliance, and acts of God.</li> </ul> | <ul style="list-style-type: none"> <li>● Shipping and handling costs associated with the replacement of the unit.</li> <li>● Repairs performed by unauthorized servicers.</li> <li>● Service calls that are related to external problems, such as abuse, misuse, inadequate electrical power, accidents, fire, floods, or any other acts of God.</li> <li>● Failure of the product if it is used for other than it intended purpose.</li> <li>● The warranty does not apply outside the Continental USA.</li> <li>● Surcharges including but not limited to, any after hour, weekend, or holiday service calls, tolls, ferry trip charges, or mileage expense for service calls to remote areas.</li> </ul> |
|---|---|

In no event, shall Avanti Products have any liability or responsibility whatsoever for damage to surrounding property, including cabinetry, floors, ceilings, and other structures and/or objects around the product. Also excluded from this warranty are scratches, nicks, minor dents, and other cosmetic damages on external surfaces and exposed parts; Products on which the serial numbers have been altered, defaced or removed; service visits for customer education, or visits where there is nothing wrong with the product; correction of installation problems (you are solely responsible for any structure and setting for the product, including all electrical, plumbing and/or other connecting facilities, for proper foundation/flooring, and for any alterations including without limitation cabinetry, walls, floors, shelving etc., as well as the resetting of breakers or fuses.

**OUT OF WARRANTY PRODUCT**

Avanti Products is under no obligation, at law or otherwise, to provide you with any concessions, including repairs, pro-rates, or product replacement, once this warranty has expired.

WARRANTY – REFRIGERATION - COMPRESSOR

## **INSTRUCCIONES DE SEGURIDAD**

### **Su seguridad y la seguridad de los demás son muy importantes.**

Hemos incluido muchos mensajes importantes de seguridad en este manual y en su electrodoméstico. Lea y obedezca siempre todos los mensajes de seguridad.



Éste es el símbolo de alerta de seguridad. Este símbolo le avisa de los peligros potenciales que pueden matar o lesionar a usted y otros. Toda la seguridad mensajes seguirá a la Seguridad Símbolo de alerta y cualquiera de los pabellones "PELIGRO", "ADVERTENCIA" o "PRECAUCIÓN".



Peligro significa que el incumplimiento de la medida de seguridad podría causar lesiones graves o la muerte.



Advertencia significa que si no se respeta esta medida de seguridad podría resultar en graves daños al producto, lesiones personales graves o la muerte.



Advertencia significa que si no se respeta esta medida de seguridad podría resultar en graves daños al producto, lesiones personales graves o la muerte.

Todo mensaje de seguridad le avisará a cuál es el peligro potencial, le dirán cómo reducir el riesgo de lesiones, y le hará saber lo que puede suceder si no se siguen las instrucciones.

### **GAS REFRIGERANTE INFLAMABLE**

**PELIGRO** - Riesgos de incendio o explosión. Refrigerante inflamable usado.

**NO use dispositivos mecánicos para descongelar el refrigerador. No pinche tubería refrigerante.**

**PELIGRO** - Riesgos de incendio o explosión. Refrigerante inflamable usado. Para ser reparado sólo por personal de servicio técnico cualificado. No pinche tubería refrigerante.

**PRECAUCIÓN** - Riesgo de incendio o explosión. Refrigerante inflamable usado. Consulte el manual de reparación / manual del propietario antes de intentar reparar este producto. Todas las precauciones de seguridad que se deben seguir.

**PRECAUCIÓN** - Riesgo de incendio o explosión. Deshágase de los bienes de acuerdo con las regulaciones federales o locales. Refrigerante inflamable usado.

**PRECAUCIÓN** - Riesgo de incendio o explosión debido a la perforación de la tubería de refrigerante. Siga las instrucciones de manejo cuidadosamente. Refrigerante inflamable usado.

**PRECAUCIÓN** - Para evitar que un niño está atrapado, mantener fuera del alcance de los niños y no en las proximidades de la nevera.



## **MEDIDAS DE SEGURIDAD IMPORTANTES**



Antes de enfriador de bebidas se utiliza, debe ser colocado correctamente e instalado como descrito en este manual, así que lea cuidadosamente el manual. Para reducir el riesgo de incendio, descarga eléctrica o lesiones al utilizar el enfriador de bebidas, Siga las precauciones básicas, incluyendo las siguientes

### **! DANGER !**

- Enchufe en unas 3 clavijas con conexión a tierra toma de corriente, hacer No retire de puesta a tierra púa, hacer No utilice un adaptador, y no utilice un cable de extensión
- Reemplazar todos los paneles antes operativos
- Eso se recomienda usar un circuito separado, que sólo sirve a su enfriador de bebidas, ser proporcionado. Use recipientes ese no poder ser desactivado por un interruptor o cadena
- Nunca limpia electrodoméstico piezas con líquidos inflamables. Estos vapores pueden crear un riesgo de incendio o explosión. Y no almacene ni use gasolina u otros vapores y líquidos inflamables en la proximidad de este o cualquier otro electrodoméstico. Los vapores pueden crear un riesgo de incendio o explosión.
- Antes de proceder con las operaciones de limpieza y mantenimiento, asegúrese de que la línea de alimentación de la unidad se desconecta.
- hacer No conecte o desconecte el enchufe eléctrico con las manos mojadas
- Desenchufe el electrodoméstico o desconectar la alimentación antes de la limpieza o el mantenimiento. El no hacerlo puede provocar una descarga eléctrica o la muerte.
- hacer No intente reparar o reemplazar cualquier parte de su electrodoméstico a menos que se recomiende específicamente en este material. Cualquier otro servicio debe ser realizado por un técnico cualificado.

### **! WARNING !**

- Se recomienda utilizar dos o más personas para mover e instalar el electrodoméstico. El aparato es pesado y puede resultar en daños de la espalda u otras lesiones.
- Para garantizar una ventilación adecuada para su electrodoméstico, la unidad debe estar completamente despejada. Elija un área bien ventilada con temperaturas superiores a 55°F (13°C) y por debajo de 90°F (32°C). Esta unidad debe ser instalada en un área protegida de los elementos, tales como el viento, la lluvia, rocío de agua o luz de sol.
- El electrodoméstico no debe colocarse cerca de hornos, parrillas u otras fuentes de calor.
- El electrodoméstico debe ser instalado con todas las conexiones eléctricas, de agua y de desagüe según los códigos estatales y locales. Hace falta un suministro eléctrico estándar (sólo 115 V CA, 60 Hz), debidamente conectada a tierra de acuerdo con el Código Eléctrico Nacional y los códigos y ordenanzas locales.
- Hacer No doble ni apriete el cable de alimentación del electrodoméstico.
- Los fusibles (o disyuntor) tamaño debe ser de 15 amperios.
- Eso Es importante que el electrodoméstico a nivelarse con el fin de funcionar correctamente. Puede que tenga que hacer varios ajustes para nivelarla.
- Toda la instalación debe realizarse de acuerdo con los requerimientos locales de plomería.
- Asegúrese de que los tubos no están aplastar ni dañado durante instalación.
- Compruebe si hay fugas después de la conexión.
- Nunca permita que los niños operen, jueguen o gatear el interior del electrodoméstico
- Hacer No utilice productos de limpieza a base de disolvente-abrasivos en el interior. Estos limpiadores pueden dañar o decolorar el interior.
- No utilice este electrodoméstico para que no sea su finalidad.
- Do not use this apparatus for other than its intended purpose.

## Ayúdenos a ayudarte...

### Lea detenidamente esta guía.

Se pretende que ayuden a utilizar y mantener su nuevo electrodoméstico correctamente.

Mantenga a la mano para responder a sus preguntas.

Si no entiende algo o si necesita más ayuda, por favor llame a:

**Avanti Servicio al Cliente**  
**800-220-5570**

Mantenga prueba de la fecha original de compra (como el recibo de venta) con esta guía para establecer el período de garantía.

### **PRECAUCIÓN:**

**ESTE ELECTRODOMÉSTICO NO ESTÁ DISEÑADO PARA EL ALMACENAMIENTO DE MEDICINA U OTROS PRODUCTOS MÉDICOS.**

### Escribir se establece el modelo y número de serie.

Los encontrará en una placa situada en la pared exterior trasera del electrodoméstico.

Por favor, escriba estos números aquí:

\_\_\_\_\_  
Fecha de compra

\_\_\_\_\_  
Número de modelo

\_\_\_\_\_  
Número de serie

Utilice estos números en cualquier correspondencia o llamadas de servicio con respecto a su electrodoméstico.

Si ha recibido un electrodoméstico dañado, póngase inmediatamente en contacto con el distribuidor (o constructor) que le vendió el electrodoméstico.

Ahorrar tiempo y dinero. Antes de llamar al servicio técnico, consulte la Guía de solución de problemas. En él se enumeran las causas de los problemas de funcionamiento de menor importancia que se pueden corregir a sí mismo.

## Si necesita servicio

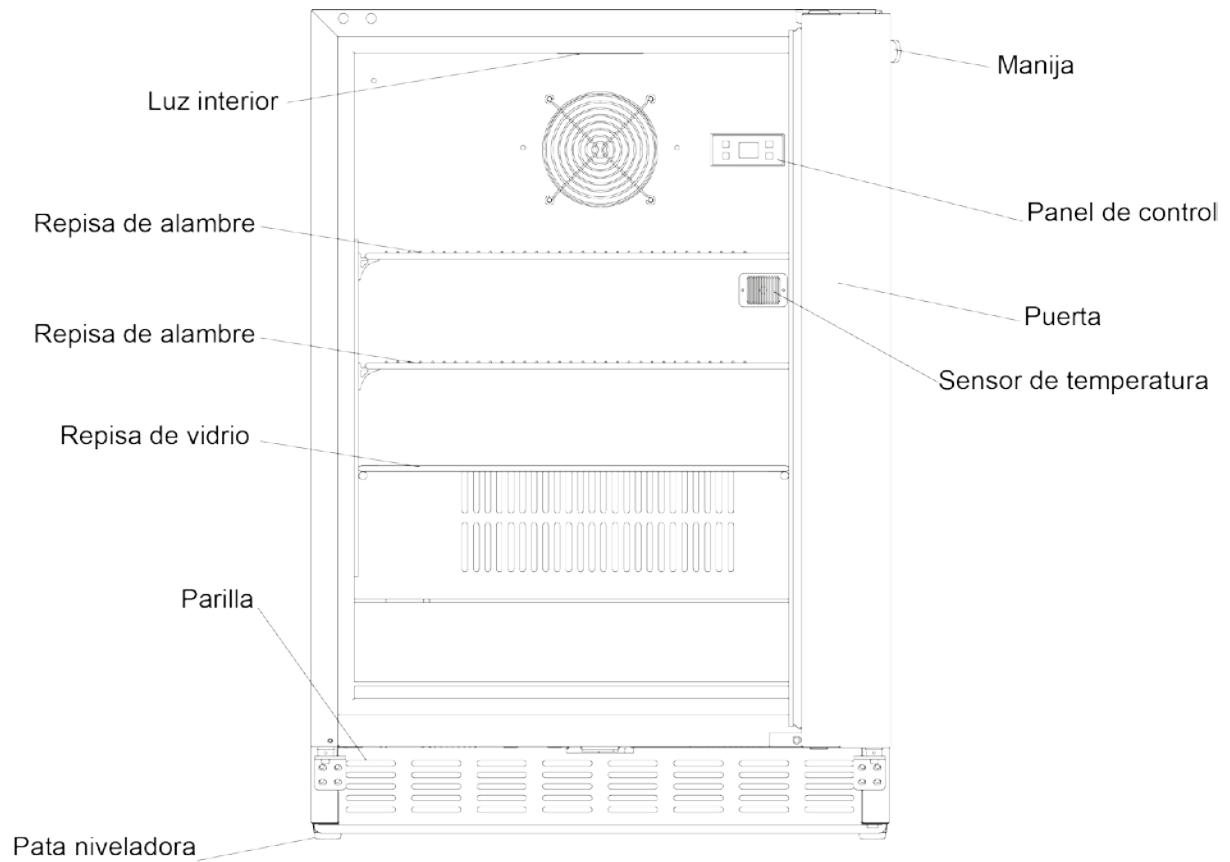
Estamos orgullosos de nuestro servicio y queremos que usted esté satisfecho. Si por alguna razón usted no está satisfecho con el servicio que recibe, aquí hay algunos pasos a seguir para obtener más ayuda.

PRIMERA, póngase en contacto con las personas que servicio de reparación del electrodoméstico. Explicar por qué usted no está satisfecho. En la mayoría de los casos, esto va a resolver el problema.

A continuación, si usted todavía no está contento, escribir todos los detalles, incluyendo su número de teléfono, y enviarlo a:

**Servicio al cliente**  
**Avanti Products**  
**10880 NW 30 Street**  
**Miami, FL 33172 EE.UU.**

## PARTES Y CARACTERÍSTICAS



## INSTRUCCIONES DE SEGURIDAD IMPORTANTES

### ⚡ PRECAUCIÓN ⚡

Para reducir el riesgo de incendio, descarga eléctrica, o daño cuando use su refrigerador, siga las siguientes precauciones.

### Esta unidad es para uso en interiores - GUARDE ESTAS INSTRUCCIONES -

- Leer todas las instrucciones antes de usar el refrigerador.
- **PELIGRO o ADVERTENCIA:** Riesgo de encierro para niños. Niños atrapados y sofocación no son problemas del pasado. Refrigeradores desechados o abandonados siguen siendo peligrosos. . . incluso si van a "sentarse en el garaje de unos pocos días".
- **Antes de deshacerse de su refrigerador viejo:** quite las puertas. Deje los estantes en su lugar para que los niños no puedan meterse con facilidad.
- Nunca permita que los niños manejen, jueguen o se arrastren dentro del refrigerador.
- Nunca limpie las piezas del refrigerador con líquidos inflamables. Los vapores pueden crear un peligro de incendio o explosión.
- No almacene ni use gasolina u otros vapores y líquidos inflamables en la proximidad de éste o cualquier otro refrigerador. Los vapores pueden crear un peligro de incendio o explosión.

## INSTRUCCIONES DE INSTALACIÓN

### ***Antes de utilizar el refrigerador***

- Retire la envoltura interna y externa.
- Compruebe para asegurarse de que tiene todas las siguientes partes:
  - 2 estantes de alambre
  - 1 estante de vidrio
  - 2 Llaves
  - 1 Manija de acero inoxidable
  - 4 Ruedas
  - Manual de instrucciones
- Antes de conectar la unidad a la fuente de alimentación, se deja reposar en posición vertical durante aproximadamente 2 horas. Esto reducirá la posibilidad de un mal funcionamiento en el sistema de refrigeración de la manipulación durante el transporte.
- Limpie la superficie interior con agua templada y un paño suave.

### ***Instalación de su refrigerador***

- Este aparato está diseñado para la instalación independiente o integrada (totalmente empotrada).
- Coloca el aparato sobre un piso que sea lo suficientemente fuerte como para soportar su peso cuando está totalmente cargado. Para nivelar el aparato, ajuste la estabilidad en punta piernas en la parte inferior de la Aparato.
- Localizar el aparato alejado de la luz solar directa y de fuentes de calor (estufa, calentador, radiador, etc.). La luz solar directa puede afectar a la capa de acrílico y de fuentes de calor puede aumentar el consumo eléctrico. temperaturas ambiente extremas de frío también pueden hacer que la unidad no funcione correctamente.
- Enchufe el aparato a una toma de corriente exclusiva, debidamente conectada a tierra-instalado. Bajo ninguna circunstancia corte o quite la tercera pata (tierra) del cable de alimentación. Cualquier pregunta relacionada con el poder y / o puesta a tierra deben ser dirigidas a un electricista certificado o un centro de servicio de Avanti Products.
- No ubicar el refrigerador en áreas húmedas. El exceso de humedad en el aire hará que la formación de escarcha rápidamente en el evaporador que requiere descongelación más frecuente de la nevera.

## **Conexión eléctrica**

### **⚡ Advertencia ⚡**

El uso inapropiado del enchufe a tierra puede resultar en el riesgo de descarga eléctrica. Si el cable de alimentación está dañado, haga que sea reemplazado por un centro de servicio autorizado de Avanti Products.

Este electrodoméstico debe estar conectado a tierra adecuadamente para su seguridad. El cable eléctrico de este electrodoméstico está equipado con un enchufe de tres puntas que encajan con tres enchufes de pared standard para reducir al mínimo la posibilidad de una descarga eléctrica.

Bajo ninguna circunstancia corte o remueva la punta de tierra del cable de alimentación suministrado.

Este electrodoméstico requiere una toma de corriente eléctrica 115Volts ~ / 60 Hz estándar con tierra de tres clavijas.

El cable debe ser asegurado detrás del electrodoméstico y no déjelo expuesto para evitar lesiones accidentales.

Nunca desenchufe el electrodoméstico tirando del cable de alimentación. Siempre sostenga firmemente el enchufe y tire en línea recta desde el receptáculo.

No utilice un cable de extensión con este electrodoméstico. Si el cable de alimentación es demasiado corto, haga que un electricista o técnico calificado instale un tomacorriente cerca del electrodoméstico.

#### **➤ CABLE EXTENSIÓN**

Debido a los peligros potenciales de seguridad bajo ciertas condiciones, se recomienda encarecidamente que no se utilice un cable de extensión con esta unidad. Sin embargo, si debe utilizar un cable de extensión es absolutamente necesario que se trate de un UL / CUL, 3 hilos con toma de tierra del electrodoméstico cable de extensión que tiene un enchufe y la toma a tierra y que la clasificación eléctrica del cable sea de 115 voltios y al menos 10 amperios.

#### **➤ PROTECTOR CONTRA SOBRETENSIONES**

La mayoría de los electrodomésticos utilizan una serie de paneles de control eléctricos para operar. Estas placas son muy susceptibles a las subidas de tensión y podrían ser dañados o destruidos.

Si el electrodoméstico va a ser usado en un área o si su ciudad / país es propenso a subidas de tensión / interrupciones; se sugiere que utilice un protector contra sobretensiones alimentación de todos los dispositivos / electrodomésticos que utiliza. El estabilizador de tensión que se selecciona debe tener un bloque oleada suficientemente alto como para proteger el electrodoméstico está conectado a. Si usted tiene alguna pregunta relacionada con el tipo y tamaño de contacto necesario protector contra sobretensiones a un electricista autorizado en su área.

Los daños debidos a sobrecargas de energía no se consideran un defecto cubierto por el fabricante y anulará la garantía del producto.

## **INVERSIÓN DE LA APERTURA DE LA PUERTA DE SU REFRIGERADOR**

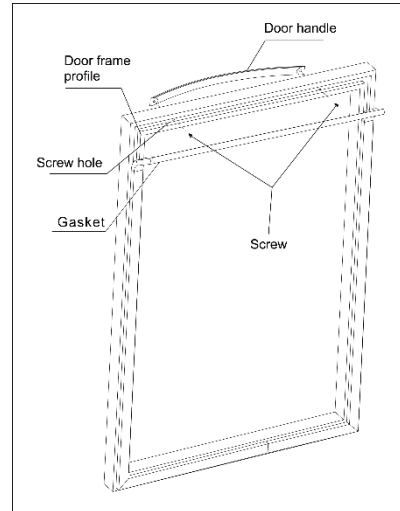
Este refrigerador La unidad se entrega usted con las puertas que se abren desde el lado izquierdo. Si usted desea invertir el sentido de apertura, por favor llame al servicio para obtener instrucciones de reversión.

### **INSTALACIÓN DE LA MANIJA DE ACERO INOXIDABLE**

Este aparato incluye un asa de acero inoxidable que no se requiere para operar esta unidad.

Para instalar el mango por favor, siga las siguientes instrucciones:

1. Aparte la junta de la puerta en la zona donde el mango se va a instalar como se muestra en la ilustración. La junta se desplaza fácilmente con la mano, sin herramientas son necesarias.
2. Localizar los tornillos incluidos en la bolsa con el usuario ' guía de s. Inserte los tornillos en los orificios como se muestra.
3. Alinear la manija con los tornillos instalados. Apriete los tornillos con un destornillador de estrella hasta que el asa fija tanto al ras y asegurado firmemente contra el marco de la puerta. (NO apriete demasiado ya que esto puede causar daños en el conjunto del mango).
4. Vuelva a colocar la junta de la puerta a su posición original.



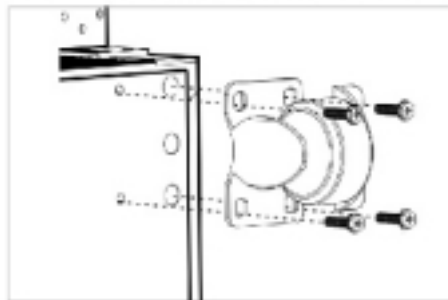
### **CERRADURA DE LA PUERTA**

La unidad está provista de una combinación de cerradura y llave.

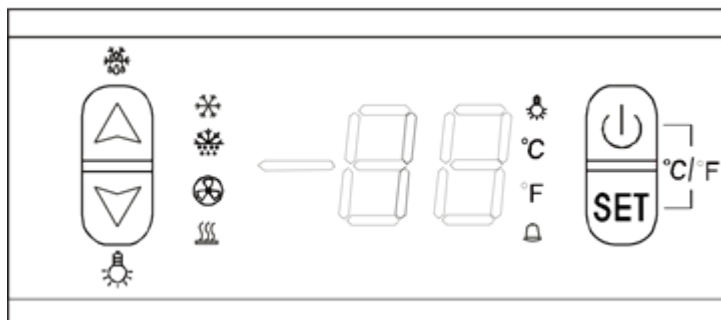
Las teclas están situadas dentro de la bolsa de plástico que contiene el usuario ' Guía s. Inserte la llave en la cerradura y gírela hacia la izquierda para abrir la puerta. Para bloquear la puerta hacer la operación inversa haciendo contacto de metal de seguro se dedica por completo. Retire la llave y colocarlo en un lugar seguro para su custodia.

### **INSTALACION DE LAS RUEDAS**


- 1) Retire todo del interior del gabinete y coloque la unidad sobre una superficie limpia, seca y acolchonada.
- 2) Instale las ruedas en los orificios de la parte inferior de la unidad y apriétela con un destornillador Phillips.
- 3) Las dos (2) ruedas equipadas con frenos / bloqueos deben estar instaladas en la parte frontal de la unidad.
- 4) Una vez instaladas las cuatro ruedas, vuelva a colocar la unidad en posición vertical.
- 5) Deje que la unidad se siente en posición vertical durante 8 - 10 horas para permitir que el refrigerante se asiente antes de enchufar y encender la unidad.



## FUNCIONAMIENTO DEL REFRIGERADOR



### **ON / OFF DE ALIMENTACIÓN**

Para apagar o encender el aparato, oprime el botón POWER o  marca y mantener durante 5 segundos.

### **AJUSTE DEL CONTROL DE TEMPERATURA**

- Puede ajustar la temperatura como se desee pulsando el botón SET y luego tocarse los botones marcado Arriba o Abajo. Cuando tocas los dos botones, por primera vez, la pantalla mostrará la temperatura inicial, fijado anteriormente.
- La temperatura que se quiera establecer aumentará 1 ° F o 1 ° C si se toca el botón marcado ARRIBA de una vez, por el contrario, la temperatura disminuirá 1 ° F o 1 ° C si se toca el botón marcado ABAJO una vez.
- se apareció la temperatura interior de la unidad en la pantalla.

### **NOTA:**

- Si la unidad está desconectada, la energía se pierde o se apaga, tendrá que esperar 3 a 5 minutos antes de reiniciar la unidad. Si intenta reiniciar antes de este tiempo, la aparato no se iniciará.
- Cuando se utiliza el aparato por primera vez o reiniciar el aparato después de haber sido apagado durante mucho tiempo, podría haber una variación de unos pocos grados entre la temperatura seleccionada y la indicada en la lectura del LED. Esto es normal y es debido a la longitud del tiempo de activación. Una vez que el aparato esté funcionando durante unas horas todo volverá a la normalidad.

### **Luz interior**


#### **Modelo: OR51Z3SSN**

Al abrir la puerta de la luz se encenderá automáticamente. Cuando se cierra la puerta de la luz se apagará automáticamente. También hay un interruptor de luz ubicado en el panel de control que le permiten convertir la luz de encendido / apagado mientras la puerta está abierta.

#### **Modelo: COR51Z3SGN**

Oprime el interruptor de luz ubicado en el panel de control para encender / apagar la luz interior.

### **Cambiar de ° C a ° F**

Para cambiar la forma de visualización de la temperatura en el panel de control de ° F a ° C, sólo tiene que pulsar el botón de encendido marcado  y el botón SET simultáneamente. La pantalla del panel de control parpadeará el nuevo ajuste y luego mostrará la temperatura actual del armario.

### **Alarma de puerta entreabierta (Modelo OR51Z3SSN solamente)**

Si la puerta se deja abierta durante más de 60 segundos, sonará una alarma y continuará sonando hasta que se pulse cualquiera de los botones del panel de control o la puerta está cerrada.

### **Alarma de temperatura**

Si en cualquier momento la temperatura interna de la unidad eleva por encima de los niveles de seguridad, sonará una alarma indicando al usuario que compruebe si el motivo de la edición de temperatura.

Las temperaturas superiores a 86°F / 30°C o menores que 5°F / -15°C activarán la alarma.

Las posibles razones podrían ser: alimentos / bebidas calientes frescos fueron colocados en la unidad. El exceso de aire caliente del ambiente ha entrado en la unidad cuando la puerta se ha dejado abierta durante demasiado tiempo. La falta de energía durante mucho tiempo. El aparato está teniendo problemas técnicos y debe ser evaluado por un técnico autorizado.

### **Como descongelar su refrigerador**

**¿Cuándo?** Para un funcionamiento más eficiente y un consumo mínimo de energía, descongelar el congelador cuando la escarcha en las paredes del refrigerador es excesiva o ¼ de pulgada de espesor.

No hay necesidad de descongelar el compartimento del refrigerador, porque depósito de hielo en la pared trasera se descongela automáticamente. El hielo puede depositar en la pared posterior interior durante el funcionamiento del compresor; más adelante, cuando el compresor no está funcionando el hielo se descongele y las gotas de agua recogida y drenaje a través de la salida en la pared trasera interior en la bandeja de drenaje situada por encima del compresor, desde donde se evapora.

#### **¿Cómo?**

- Pulse y mantenga pulsado el botón de flecha arriba (6) seis segundos.
- El icono de descongelación se enciende en el panel de control que indica que está en modo de descongelación.
- Retire los alimentos congelados de la nevera y lo coloca en un refrigerador para proteger los alimentos.
- Una vez que el icono de descongelación se apaga y el aparato ha comenzado a enfriarse de nuevo, espere a que la unidad de refrigeración para comenzar y luego vuelva a colocar todos los alimentos y bebidas.

**PRECAUCIÓN:** No utilice agua hirviendo, ya que puede dañar las piezas de plástico. Además, nunca utilice un instrumento afilado o metálico para eliminar el hielo ya que puede dañar los serpentines de enfriamiento y anulará la garantía. Se recomienda utilizar una espátula de plástico.

## **CUIDADO Y MANTENIMIENTO**

### **Como limpiar su refrigerador**

- Apague y desconecte el aparato, y retirar el contenido.
- Lave el interior con una solución de agua tibia y bicarbonato de sodio. La solución debe ser aproximadamente 2 cucharadas de bicarbonato de sodio a un litro de agua.
- Lave la canasta con una solución de detergente suave.
- El exterior de la unidad se debe limpiar con un detergente suave y agua tibia.

**PRECAUCIÓN:** Si no desconecta el refrigerador podría provocar una descarga eléctrica o lesiones personales.

### **Fallo de alimentación**

La mayoría de las fallas de energía se regresa en unas pocas horas y no deben afectar a la temperatura del refrigerador Si la energía se va a apagar durante un período de tiempo más largo, es necesario tomar las medidas adecuadas para proteger su comida.

### **Tiempo de vacaciones**

**Vacaciones cortas:** Deje la unidad funcionando durante las vacaciones de menos de tres semanas.

**Unas largas vacaciones:** Si no va a utilizar el refrigerador durante varios meses, retire todos los



alimentos y desconecte el cable de alimentación. Limpia y seca bien el interior. Para evitar el crecimiento de moho y mal olor, dejar la puerta ligeramente abierta: bloquéela de ser necesario

### ***Mover su refrigerador***

- Retire toda la comida.
- Segura cinta adhesiva a todo caer dentro de su unidad.
- A su vez los tornillos de nivelación hasta la base para evitar daños.
- Cinta de las puertas cerradas.
- Asegúrese de que la unidad permanezca en posición vertical durante el traslado.

### ***Consejos para ahorrar energía***

- La unidad debe estar ubicado en la zona más fría de la habitación, lejos de los conductos de calefacción, y fuera de la luz solar directa.
- Deje que los alimentos calientes se enfríen a temperatura ambiente antes de colocarlos en la unidad. La sobrecarga de la unidad hace que el compresor funcione durante más tiempo. Los alimentos que se congelan lentamente pueden perder calidad o echarse a perder.
- Asegúrese de envolver adecuadamente los alimentos y seque los envases antes de colocarlos en la unidad. Esto reduce la acumulación de escarcha en el congelador.
- Organizar y etiquete los alimentos para reducir las aberturas de las puertas y las búsquedas prolongadas. Retire todos los elementos que necesite de una sola vez y cierre la puerta tan pronto como sea posible.

## GUÍA PARA RESOLVER PROBLEMAS

Puede solucionar muchos problemas comunes refrigerador Pruebe las siguientes sugerencias para ver si puede resolver el problema antes de llamar al servicio técnico.

PROBLEMA	CAUSA POSIBLE
Refrigerador no funciona.	No está enchufado. El interruptor saltó o se quemó el fusible.
Refrigerador no enfría.	El refrigerador está apagado.
El compresor se enciende y apaga con frecuencia.	Serpentín del condensador en la parte posterior de la unidad está sucia. La temperatura ambiente es más caliente de lo normal. Una gran cantidad de alimentos se ha añadido a la nevera. La puerta está abierta demasiado a menudo. La puerta no está cerrada completamente. El control de temperatura no está configurado correctamente. La junta de la puerta no cierra correctamente. El refrigerador no tiene el suficiente espacio libre. (5 " a ambos lados y la parte posterior de la unidad)
La luz no funciona.	Ha saltado el fusible. El refrigerador está desconectado. La bombilla se ha quemado.
Vibraciones.	Compruebe para asegurarse de que el refrigerador esté nivelado.
El refrigerador parece hacer demasiado ruido.	El ruido de traqueteo puede venir del flujo del refrigerante, que es normal. Al final de cada ciclo, puede oír sonidos de gorgoteo causado por el flujo de refrigerante en su refrigerador. La contracción y expansión de las paredes interiores pueden causar sonidos como crujidos. El refrigerador no está nivelado.
La puerta no se cerrará correctamente.	El refrigerador no está nivelado. Las puertas se invirtieron y no están instalados correctamente. La junta está sucia. Los estantes, recipientes o cestas están fuera de posición.

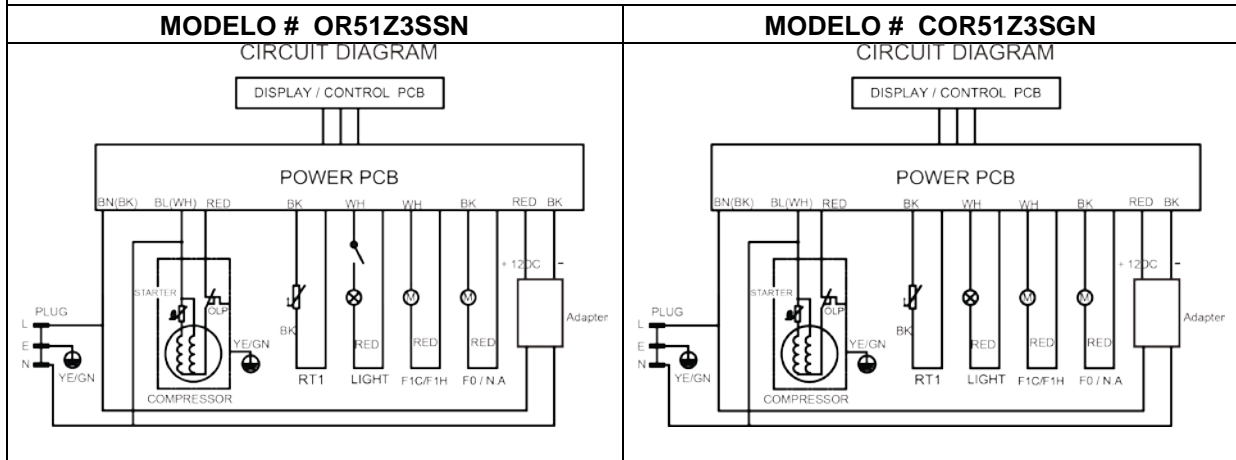
## SERVICIO DE APARATO

Estamos orgullosos de nuestra organización de servicio al cliente y la red de técnicos de servicios profesionales que prestan servicio en sus electrodomésticos Avanti. Con la compra del aparato, Avanti, usted puede tener la confianza de que si alguna vez necesita información o asistencia adicional con el Customer Service Avanti Products estará aquí para usted. Sólo tiene que llamar al número gratuito.

## PRODUCTOS DE CLIENTE AVANTI

Información del Producto 800-323 5029	Lo que sus preguntas son acerca de nuestros productos, hay ayuda disponible.
Pedidos de piezas 800-220 5570	Usted puede pedir piezas y accesorios que serán entregados directamente a su casa. Usted puede ordenar estos artículos por el cheque personal, giro postal, Master Card o Visa.
Servicio de reparación a domicilio 800-220 5570	Un centro de servicio Avanti Products proporcionará el servicio de reparación experto, programado a una hora que sea conveniente para usted. Nuestros técnicos conocen su aparato dentro y por fuera.

## DIAGRAMA DE CABLEADO



## **SÉCURITÉ APPLIANCE**

**Votre sécurité et celle des autres sont très importantes.**

Nous avons fourni de nombreux messages de sécurité importants dans ce manuel et sur votre appareil. Toujours lire et respecter les consignes de sécurité.



C'est le symbole d'alerte de sécurité. Ce symbole vous signale les dangers potentiels qui peuvent tuer ou blesser vous et d'autres.

Tous les messages de sécurité suivront le symbole de danger et soit la pupilles "DANGER", "AVERTISSEMENT" ou "ATTENTION".



Danger signifie que la non



Attention signifie que le non



Attention signifie que le non

Tous les messages de sécurité vous alerter sur ce danger potentiel et vous disent comment réduire le risque de blessure, et vous savez ce qui peut arriver si les instructions ne sont pas suivies.

### **GAZ REFRIGÉRANT INFLAMMABLE**

**DANGER** - Risque d'incendie ou d'explosion. Réfrigérant inflammable utilisé.

**NE PAS utiliser des dispositifs mécaniques pour dégivrer le réfrigérateur. NE PAS percer un tube réfrigérant.**

**DANGER** - Risque d'incendie ou d'explosion. Réfrigérant inflammable utilisé. Pour être réparé que par du personnel qualifié. **NE PAS percer un tube réfrigérant.**

**MISE EN GARDE** - Risque d'incendie ou d'explosion. Réfrigérant inflammable utilisé. Consultez le guide de réparation manuelle / propriétaire avant de tenter de réparer ce produit. Toutes les mesures de sécurité doivent être suivies.

**MISE EN GARDE** - Risque d'incendie ou d'explosion. Éliminer des biens conformément aux règlements fédéraux ou locaux. Réfrigérant inflammable utilisé.

**MISE EN GARDE** - Risque d'incendie ou d'explosion due à la perforation du tuyau de réfrigérant. Suivez les instructions de manipulation avec soin. Réfrigérant inflammable utilisé.

**MISE EN GARDE** - Pour éviter qu'un enfant ne soit piégé, garder hors de portée des enfants et non à proximité du refroidisseur.

## GARANTIES IMPORTANTES



Avant le refroidisseur de boisson est utilisé, il doit être correctement positionné et installé comme décrit dans ce manuel, afin de lire attentivement le manuel. Pour réduire le risque d'incendie, d'électrocution ou de blessure lors de l'utilisation du refroidisseur de boisson, suivez les précautions de base, y compris ce qui suit:

### DANGER

- Brancher sur une prise à 3 broches mise à la terre, ne pas retirer la broche de masse, ne pas utiliser un adaptateur, et ne pas utiliser une rallonge
- 
- Utilisez des récipients qui ne peuvent être désactivés par une chaîne de traction interrupteur ou
- Ces vapeurs peuvent créer un risque d'incendie ou d'explosion. Et ne pas stocker ou utiliser de l'essence ou d'autres vapeurs et liquides inflammables à proximité de cet appareil ou de tout autre appareil. Les vapeurs peuvent créer un risque d'incendie ou d'explosion.
- 
- 
- Ne pas le faire peut entraîner un choc électrique ou la mort.
- Toutes les autres réparations doivent être confiées à un technicien qualifié.

### WARNING

- Ne pas le faire peut entraîner dans le dos ou d'autres blessures.
- Choisissez un endroit bien aéré avec des températures supérieures à 55°F (13°C) et au Cet appareil doit être installé dans un endroit protégé des éléments, tels que le vent, la pluie, de l'eau pulvérisée ou de la lumière du soleil.
- 
- Une alimentation électrique standard (115 V CA seulement, 60 Hz), mise à la terre conformément au Code national de l'électricité et les codes et règlements locaux est nécessaire.
- 
- 
- Vous devriez peut
- Ces nettoyants peuvent endommager ou décolorer l'intérieur.
-

## AIDEZ-NOUS À VOUS AIDER ...

---

### Lisez attentivement ce guide.

Il est destiné à vous aider à utiliser et à maintenir votre nouvel appareil correctement.

Gardez

Si vous ne comprenez pas quelque chose où vous avez besoin de plus d'aide, s'il vous plaît appelez:

**Avanti Service à la clientèle  
800-220-5570**

Gardez preuve de la date d'achat d'origine (tel que votre bordereau de vente) avec ce guide pour établir la période de garantie.

### **MISE EN GARDE:**

**CET APPAREIL EST PAS  
CONÇU POUR LE STOCKAGE  
DE MÉDECINE OU D'AUTRES  
PRODUITS MÉDICAUX.**

### Notez le modèle et le numéro de série.

Vous les trouverez sur une plaque située sur la paroi extérieure arrière de l'appareil.

S'il vous plaît écrire ces chiffres ici:

\_\_\_\_\_

Date d'achat

\_\_\_\_\_

Numéro de modèle

\_\_\_\_\_

Numéro de série

Utilisez ces numéros dans toute correspondance ou appels de service concernant votre appareil.

Si vous avez reçu un appareil endommagé, contactez immédiatement le revendeur (ou le constructeur) qui vous a vendu l'appareil.

Gagnez du temps et de l'argent. Avant d'appeler le service, consultez le Guide de dépannage. Il énumère les causes des problèmes de fonctionnement mineurs que vous pouvez vous corriger.

## SI VOUS AVEZ BESOIN DE SERVICE

---

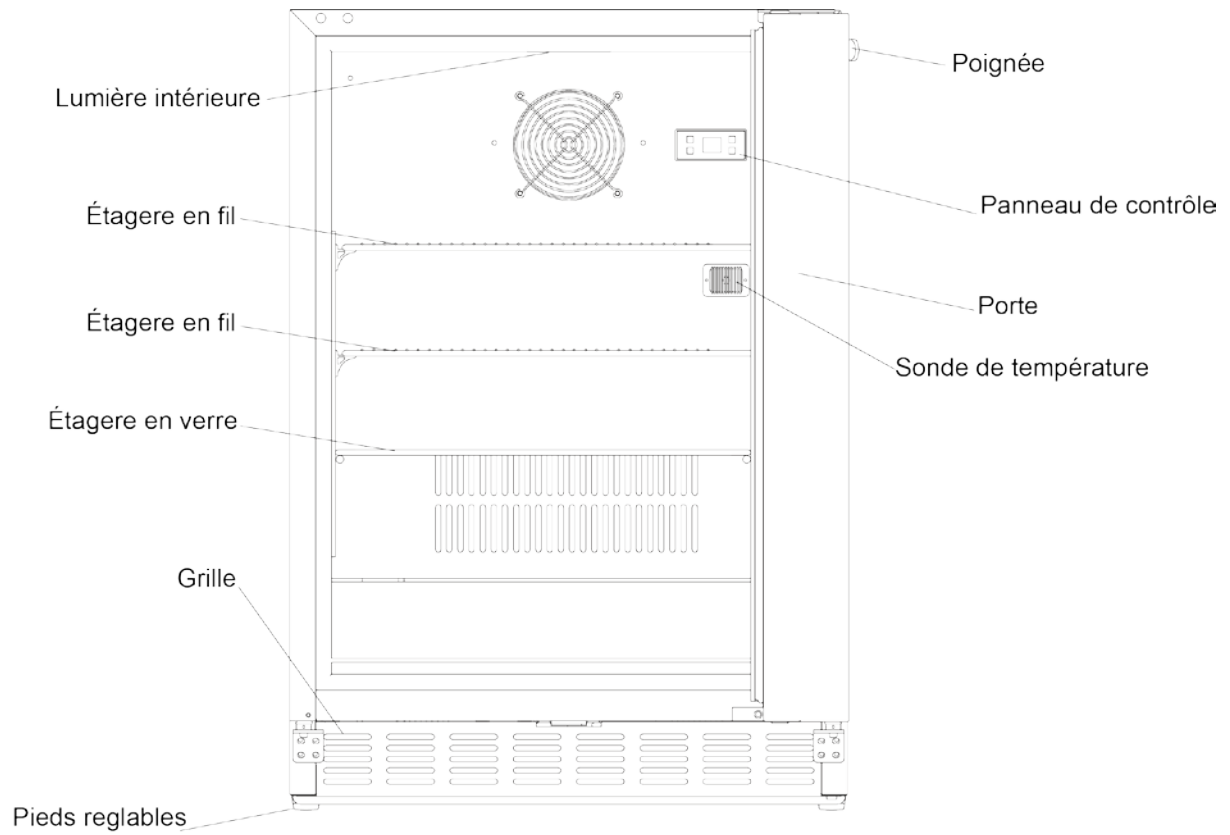
Nous sommes fiers de notre service et nous voulons que vous soyez heureux. Si pour une raison quelconque vous n'êtes pas satisfait du service que vous recevez, voici quelques étapes à suivre pour obtenir de l'aide.

FIRST, contacter les gens qui ont réparé votre appareil. Expliquez pourquoi vous n'êtes pas satisfait. Dans la plupart des cas, cela va résoudre le problème.

Ensuite, si vous n'êtes toujours pas satisfait, écrivez tous les détails, y compris votre numéro de téléphone, et l'envoyer à:

**Service Clients  
Avanti Produits  
10880 NW 30 Street  
Miami, FL 33172 USA**

## PIÈCES ET CARACTÉRISTIQUES



## INSTRUCTION DE SÉCURITÉ IMPORTANTES

**ATTENTION**

Pour réduire le risque d'incendie, d'électrocution ou de blessure lors de l'utilisation de votre réfrigérateur, suivre ces précautions de base:

### **Cette unité est à usage intérieur uniquement - Conservez ces instructions -**

- Lisez toutes les instructions avant d'utiliser le réfrigérateur.
- **DANGER ou AVERTISSEMENT:** Risque d'enfermement des enfants. Piégeage des enfants et la suffocation ne sont pas des problèmes du passé. Les réfrigérateurs jetés ou abandonnés sont toujours dangereux. . . même si elles vont "rester assis dans le garage quelques jours".
- **Avant de jeter votre vieux réfrigérateur:** enlever les portes. Laissez les étagères en place afin que les enfants ne puissent pas grimper facilement à l'intérieur.
- Ne jamais laisser les enfants utiliser, jouer avec, ou ramper à l'intérieur du réfrigérateur.
- Ne jamais nettoyer réfrigérateur pièces avec des liquides inflammables. Les vapeurs peuvent créer un risque d'incendie ou d'explosion.
- Ne pas entreposer ou utiliser d'essence ou d'autres vapeurs et liquides inflammables à proximité de cet appareil ou tout autre réfrigérateur. Les vapeurs peuvent créer un risque d'incendie ou d'explosion.

## INSTRUCTIONS D'INSTALLATION

### **Avant d'utiliser votre réfrigérateur**

- Retirez l'emballage extérieur et intérieur.
- Vérifiez que vous avez toutes les pièces suivantes:
  - 2 tablettes de fil
  - 1 étagère en verre
  - 2 Clés
  - 1 poignée
  - 4 - Roulettes
  - Manuel d'instructions
- Avant de connecter l'appareil à la source d'alimentation, laissez Cela permettra de réduire la possibilité d'un mauvais fonctionnement du système de refroidissement lors de la manipulation durant le transport.
- Nettoyer la surface intérieure à l'eau tiède avec un chiffon doux.

### **Installation de votre réfrigérateur**

- Cet appareil est conçu pour être posé libre ou encastrable
- Placez votre appareil sur un plancher qui est assez solide pour supporter quand elle est complètement chargée. Pour le niveau de votre appareil, régler le nivellement avant jambes au niveau du fond de l'Appareil.
- Localisez le Appliance loin de la lumière directe et des sources de chaleur (cuisinière, chauffage, radiateur, etc.). La lumière solaire directe peut affecter le revêtement acrylique et sources de chaleur peuvent augmenter la consommation électrique. Les températures ambiantes froides extrêmes peuvent aussi causer l'unité de ne pas fonctionner correctement.
- Branchez l'appareil dans une prise murale exclusive, bien installé à la terre. Ne pas en aucun cas réduire ou supprimer la troisième (terre) du cordon d'alimentation. Toute question concernant le pouvoir et / ou mise à la terre doivent être adressées à un électricien certifié ou un centre de service Avanti Produits autorisé.
- Éviter de placer le réfrigérateur dans les zones humides. Trop d'humidité dans l'air provoquera le gel pour former rapidement sur l'évaporateur nécessitant un dégivrage plus fréquent du réfrigérateur.



## Connexion électrique

### ⚡ Attention ⚡

Une mauvaise utilisation de la prise de terre peut entraîner un risque de choc électrique. Si le cordon d'alimentation est endommagé, faites

Cet appareil doit être correctement mis à la terre pour votre sécurité. Le cordon d'alimentation de cet appareil est équipé d'une fiche à trois broches qui accouple avec trois standards prises murales broches afin de minimiser le risque de choc électrique.

Ne pas en aucun cas couper ou enlever la troisième broche de terre du cordon d'alimentation fourni.

Cet appareil nécessite une prise électrique standard 115Volts ~ / 60Hz avec le sol à trois broches.

Le cordon doit être fixé derrière l'appareil et non laissés exposés ou qui pendent pour prévenir les blessures accidentelles.

Ne jamais débrancher l'appareil en tirant sur le cordon d'alimentation. Toujours saisir fermement la fiche et tirez tout droit sorti de la prise.

Ne pas utiliser une rallonge avec cet appareil. Si le cordon d'alimentation est trop court, un technicien électricien ou technicien qualifié d'installer une prise près de l'appareil.

#### ➤ **RALLONGE ÉLECTRIQUE**

En raison des risques potentiels pour la sécurité dans certaines conditions, il est fortement recommandé de ne pas utiliser une rallonge avec cet appareil. Toutefois, si vous devez utiliser une rallonge, il est absolument nécessaire que ce soit un UL / CUL, 3 fils de terre appareil rallonge ayant une fiche de mise à la terre et à la sortie et que la puissance électrique du câble est de 115 volts et au moins 10 ampères.

#### ➤ **PARASURTENSEUR**

La plupart des appareils électriques utilisent une série de tableaux de commande électriques pour fonctionner. Ces cartes sont très sensibles aux surtensions et pourraient être endommagés ou détruits.

Si l'appareil va être utilisé dans une zone ou si votre ville / pays est sujette à des surtensions / coupures; il est suggéré que vous utilisez un dispositif de protection contre les surtensions pour tous les dispositifs / appareils électriques que vous utilisez. Le protecteur de surtension que vous sélectionnez doit avoir un bloc de poussée suffisamment élevé pour protéger l'appareil, il est connecté. Si vous avez des questions concernant le type et la taille d'un protecteur de surtension contact nécessaire à un électricien agréé dans votre région.

Les dommages dus à des surtensions ne sont pas considérés comme un fabricant couvert défaut et annulera la garantie du produit.

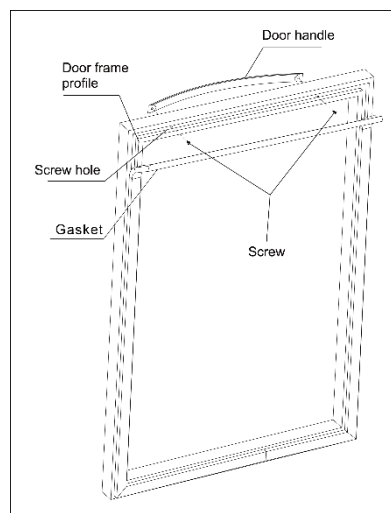
## **INVERSION DU SWING DE LA PORTE DE VOTRE RÉFRIGÉRATEUR**

Ce réfrigérateur L'appareil est livré avec l'ouverture des portes du côté gauche. Si vous désirez inverser le sens d'ouverture, s'il vous plaît appelez le service pour obtenir des instructions d'inversion.

### **INSTALLATION POIGNÉE EN ACIER INOXYDABLE**

Cet appareil comprend une poignée en acier inoxydable qui ne sont pas nécessaires pour faire fonctionner cet appareil. Pour installer la poignée s'il vous plaît suivez les instructions ci

1. Tirez loin le joint de la porte dans la zone où la poignée doit être installé comme indiqué dans l'illustration. Le joint est facilement déplacé à la main, sans outils sont nécessaires.
2. Repérez les vis fournies dans le sac avec le guide de l'utilisateur. Insérez les vis dans les trous comme indiqué.
3. Aligner la poignée avec les vis installées. Serrer les vis à l'aide d'un tournevis cruciforme jusqu'à ce que la poignée définisse à la fois au ras et fixé fermement contre le cadre de porte. (NE PAS trop serrer car cela causera des dommages à l'ensemble de la poignée).
4. Remplacer le joint de porte dans sa position initiale.



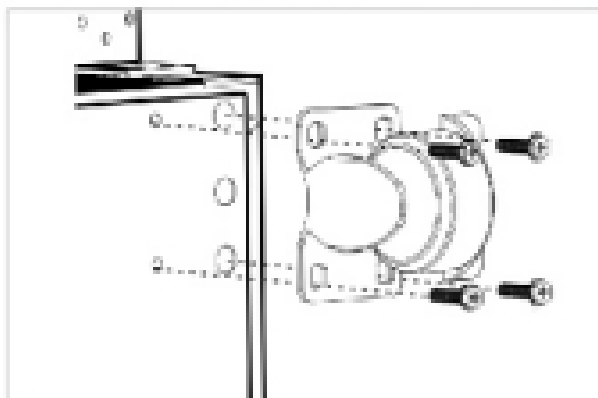
### **VERROU**

L'appareil est muni d'une serrure et clé.

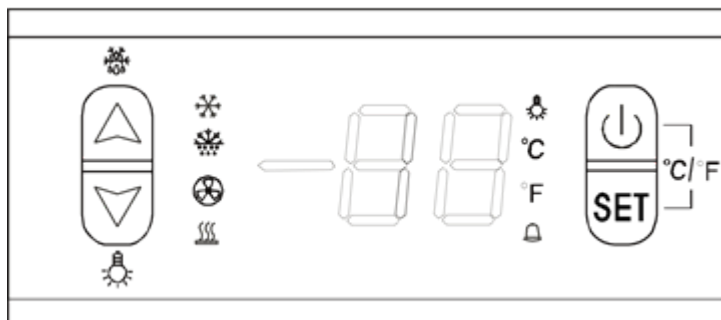
Les touches sont situées à l'intérieur du sac en plastique qui contient le Guide de l'utilisateur. Insérez la clé dans la serrure et la tourner dans le sens antihoraire pour déverrouiller la porte. Pour verrouiller la porte faire l'opération inverse en veillant à la broche métallique est engagé complètement. Retirez la clé et placez

### **INSTALLATION DU ROULETTES**


- 1) Retirez tout de l'intérieur de l'armoire et posez l'unité sur une surface propre, sèche et rembourrée.
- 2) Installez les roulettes dans les trous sur le fond de l'appareil et serrez avec un tournevis Phillips.
- 3) Les (2) deux roulettes équipées de freins / serrures doivent être installées à l'avant de l'appareil.
- 4) Une fois les quatre roulettes installées, remettez l'appareil en position verticale.
- 5) Laisser reposer l'appareil pendant 8 à 10 heures pour permettre à l'appareil de s'installer avant de brancher et d'allumer l'appareil.



## UTILISATION DE VOTRE RÉFRIGÉRATEUR



### **ON / OFF ALIMENTATION**

Pour allumer l'appareil ON / OFF, appuyez sur le bouton POWER ou  marque et maintenez pendant 5 secondes.

### **RÉGLAGE DE LA TEMPÉRATURE**

- Vous pouvez régler la température que vous désirez en appuyant sur le bouton SET, puis toucher le Haut ou basse marque. Lorsque vous touchez les deux marques pour la première fois, l'affichage LED indique la température d'origine défini à l'instant précédent.
- La température que vous souhaitez définir augmentera 1 UP marque une fois, au contraire, la température diminuera 1 une fois que.
- La température à l'intérieur de l'unité sera apparue dans la fenêtre d'affichage.

### **REMARQUE:**

- Si l'appareil est débranché, la puissance perdue, ou est éteint, vous devez attendre 3 à 5 minutes avant de redémarrer l'unité. Si vous essayez de redémarrer avant ce délai, l'appareil ne démarre pas.
- Lorsque vous utilisez l'appareil pour la première fois ou redémarrez l'appareil après avoir été éteint pendant une longue période, il pourrait y avoir un écart de quelques degrés entre la température sélectionnée et celle indiquée sur l'affichage LED. Ceci est normal et il est dû à la longueur du temps d'activation. Une fois que l'appareil est en cours d'exécution pendant quelques heures, tout sera de retour à la normale.

### **LUMIÈRE INTÉRIEURE**


#### ***Modelé OR51Z3SSN seulement***

Lorsque vous ouvrez la porte la lumière se met en marche automatiquement. Lorsque vous fermez la porte la lumière se désactive automatiquement. Il y a aussi un interrupteur situé sur le panneau de commande qui vous permettent de transformer la lumière on / off pendant que la porte est ouverte.

#### ***Modelé COR51Z3SGN seulement***

Appuyez sur l'interrupteur situé sur le panneau de commande pour allumer la lumière on / off

### **Comment changer entre °C et °F**

Pour changer la façon dont la température est affichée dans le panneau de  et le bouton SET simultanément. L'écran du panneau de commande clignotera le nouveau réglage, puis affichera la température actuelle de l'armoire.

### **Porte entrouverte alarme (Modelé OR51Z3SSN seulement)**

Si la porte est restée ouverte pendant plus de 60 secondes, une alarme retentit et continuer à retentir jusqu'à ce que l'un des boutons sur le panneau de commande est pressé ou que la porte est fermée.

### **Alarme de température**

Si à tout moment la température interne de l'appareil élève au Des températures supérieures à 86°F / 30°C ou inférieures à 5°F / -15°C activent l'alarme. Les raisons possibles pourraient être: chauds frais alimentaires / boissons ont été placés dans l'unité. Trop d'air chaud ambiant est entré dans l'appareil lorsque la porte a été laissée ouverte pendant trop longtemps. Panne de courant pendant une longue période. L'appareil a des problèmes techniques et devrait être évalué par un technicien agréé.

### **Dégivrage Votre réfrigérateur**

**Quand?** Pour l'opération la plus efficace et la consommation d'énergie minimale, dégivrer le compartiment congélateur lorsque le givre sur les parois du réfrigérateur est excessif ou ¼ de pouce d'épaisseur.

Il n'y a pas besoin de dégivrer le réfrigérateur, car le dépôt de glace sur la paroi arrière se dégivre automatiquement. La glace peut se déposer sur la paroi arrière pendant le fonctionnement du compresseur; plus tard, lorsque le compresseur ne fonctionne pas la glace dégivre et les gouttes d'eau collecter et évacuer à travers la sortie dans la paroi arrière dans le bac de récupération situé au

#### **Comment?**

- Appuyez et maintenez enfoncer le bouton HAUT pour (6) six secondes.
- L'icône de dégivrage s'allume sur le panneau de commande indiquant qu'il est en mode de dégivrage.
- Retirez les aliments congelés dans le réfrigérateur et placez
- Une fois que l'icône de dégivrage est éteint et l'appareil a commencé à refroidir à nouveau, attendre que l'appareil pour démarrer le refroidissement et remplacer tous les aliments et les boissons.

**ATTENTION: Ne pas utiliser l'eau bouillante, car il peut endommager les pièces en plastique. En outre, ne jamais utiliser un instrument pointu ou métallique pour enlever le givre car cela pourrait endommager les serpentins de refroidissement et annulera la garantie. Nous vous recommandons d'utiliser un grattoir en plastique.**

## **SOINS ET ENTRETIEN**

### **Nettoyage du réfrigérateur**

- Tournez la commande de température à "0", débranchez l'appareil, et retirer la nourriture et des paniers.
- Laver l'intérieur avec une solution d'eau et de bicarbonate de soude chaude. La solution devrait être d'environ 2 cuillères à soupe de bicarbonate de soude à un litre d'eau.
- Laver les paniers avec une solution de détergent doux.
- L'extérieur de l'appareil doit être nettoyé avec un détergent doux et de l'eau chaude.

**ATTENTION: Ne pas débrancher le réfrigérateur pourrait entraîner un choc électrique ou de blessure.**

### **Panne électrique**

La plupart des pannes de courant sont corrigées en quelques heures et ne devraient pas affecter la température de votre réfrigérateur Si la puissance va être hors service pendant une longue période de temps, vous devez prendre les mesures appropriées pour protéger votre nourriture.

### **Période de vacances**

**Courts séjours:** Laissez l'appareil fonctionner pendant des congés de moins de trois semaines.

**Longues vacances:** Si le réfrigérateur ne sera pas utilisé pendant plusieurs mois, retirez tous les aliments et débranchez le cordon d'alimentation. Nettoyer et sécher soigneusement l'intérieur. Pour éviter les odeurs et la croissance des moisissures, laisser la porte entrouverte: blocage ouverte si nécessaire



### ***Déplacement de votre réfrigérateur***

- Retirez tous les aliments.
- Solidement ruban adhésif vers le bas tous les articles en vrac à l'intérieur de l'appareil.
- Tournez les vis de réglage jusqu'à la base pour éviter tout dommage.
- Collez les portes fermées.
- Assurez-vous que l'appareil reste en position verticale pendant le transport.

### ***Économiser de l'énergie***

- L'appareil doit être situé dans la zone la plus froide de la pièce, loin de la chaleur produisant des réfrigérateurs ou des conduits de chauffage, et hors de la lumière solaire directe.
- Laissez refroidir les aliments chauds à la température ambiante avant de les placer dans l'unité. Surcharge l'unité oblige le compresseur à fonctionner plus longtemps. Les aliments qui gèlent trop lentement peuvent perdre la qualité, ou gâter.
- Assurez-vous d'emballer les aliments et essuyez les contenants avant de les placer dans l'unité. Cela réduit l'accumulation de givre à l'intérieur du congélateur.
- Organiser et la nourriture de l'étiquette pour réduire les ouvertures de porte et les recherches prolongées. Retirez autant d'articles que nécessaire à un moment donné, et fermer la porte dès que possible.

## GUIDE DE DÉPANNAGE

Vous pouvez résoudre de nombreux problèmes réfrigérateur Essayez les suggestions ci

PROBLÈME	CAUSE POSSIBLE
Le réfrigérateur ne fonctionne pas.	Pas branché. Le disjoncteur est déclenché ou un fusible grillé.
Le réfrigérateur ne refroidit pas.	La puissance frigorifique est éteinte.
Compresseur allume et éteint fréquemment.	Batterie de condensation à l'arrière de l'appareil est sale. La température ambiante est plus chaude que la normale. Une grande quantité de nourriture a été ajoutée au réfrigérateur. La porte est ouverte trop souvent. La porte ne se ferme pas complètement. Le contrôle de la température ne soit pas correct. Le joint de la porte ne se referme pas correctement. Le réfrigérateur ne possède pas les autorisations correctes. (5 "sur les deux côtés et à l'arrière de l'unité)
La lumière ne fonctionne pas.	Le disjoncteur de la maison ou le fusible a sauté. Le réfrigérateur est débranché. L'ampoule a brûlé (voir la section de maintenance pour la procédure de remplacement).
Vibrations.	Vérifiez pour assurer que le réfrigérateur est de niveau.
Le réfrigérateur semble faire trop de bruit.	Le bruit de cliquetis peut provenir de l'écoulement du fluide frigorigène, ce qui est normal. Comme chaque cycle se termine, vous pouvez entendre des gargouillis causés par l'écoulement du fluide frigorigène dans votre réfrigérateur. Contraction et expansion des parois internes peuvent provoquer des craquements et des. Le réfrigérateur est pas de niveau.
La porte ne se ferme pas correctement.	Le réfrigérateur est pas de niveau. Les portes ont été inversés et non correctement installés. Le joint est sale. Les étagères, bacs ou paniers sont hors de position.

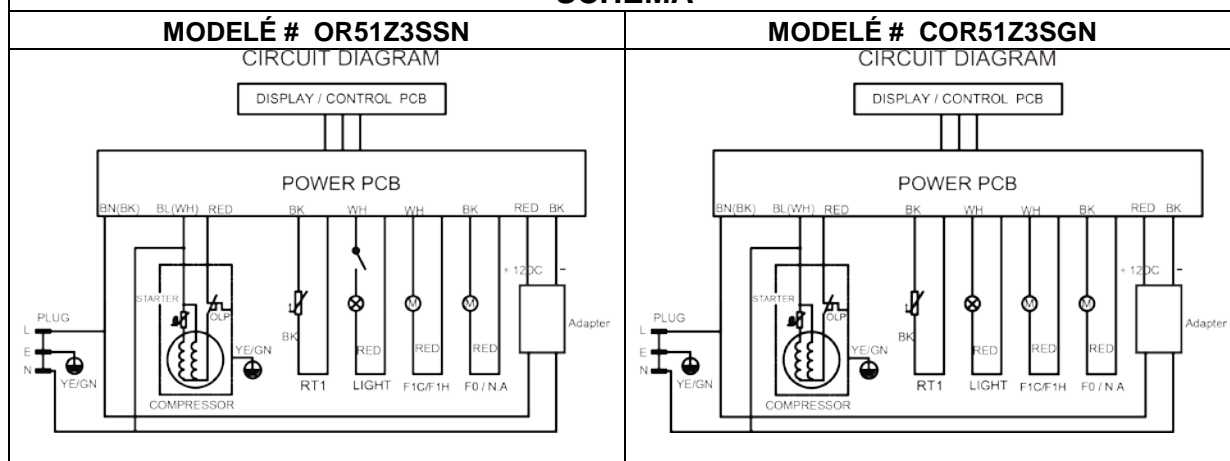
## SERVICE POUR VOTRE APPAREIL

Nous sommes fiers de notre organisation de service à la clientèle et le réseau de techniciens de services professionnels qui offrent des services sur vos appareils Avanti. Avec l'achat de votre appareil Avanti, vous pouvez avoir la certitude que si vous avez besoin d'informations ou de l'aide de l'équipe de service à la clientèle Avanti Products sera là pour vous. Appelez-nous sans frais.

## AVANTI PRODUITS SERVICES CLIENTS

Information produit 800-323 5029	Quelles que soient vos questions sur nos produits, l'aide est disponible.
Les commandes de la pièce 800-220 5570	Vous pouvez commander des pièces et accessoires qui seront livrés directement à votre domicile.  Vous pouvez commander ces articles par chèque personnel, mandat, Master Card ou Visa.
Service de réparation à domicile 800-220 5570	Un centre de service Avanti Products autorisé fournira un service de réparation expert, prévue à un moment qui vous convient. Nos réparateurs formés connaissent votre appareil à l'intérieur et à l'extérieur.

## SCHEMA





## VOS PRODUITS AVANTI GARANTIE

Staple votre reçu de vente ici. Preuve de la date d'achat originale est nécessaire pour obtenir un service sous garantie.

### CE QUI EST COUVERT

Avanti Products garantit que le produit est exempt de défauts de matériaux et / ou de fabrication pour une période de douze (12) mois à compter de la date d'achat par le propriétaire initial. La durée commence à courir à la date d'achat, et ne sera pas retardée, restreinte, prolongée ou suspendu pour quelque raison que ce soit, sauf si décrit en détail dans le document de garantie. Pendant un an à compter de la date d'achat par le propriétaire d'origine, les produits Avanti seront, à sa discrétion, réparer ou remplacer toute partie du produit qui se révèle être un défaut de matériau ou de fabrication dans une utilisation normale. Avanti Products vous fournira un produit raisonnablement semblable nouveau ou remis à neuf. Au cours de cette période Avanti Products fournira toutes les pièces et la main En usage locatif ou commercial, la période de garantie est de 90 jours. Tous les appareils Avanti de 4,2 pieds cubes la capacité ou moins doivent être traduits / envoyé au centre de service de l'appareil pour la réparation.

### DEUXIÈME LIMITÉE À LA CINQUIÈME ANNÉE GARANTIE

Pour la deuxième à la cinquième année à partir de la date d'achat originale, Avanti Products fournira un compresseur de remplacement gratuit en raison d'un échec. Vous êtes responsable de la main En usage locatif ou commercial, la garantie du compresseur est limitée à un an et neuf mois. Les coûts impliqués pour déplacer le produit au centre de service et de retour à la maison de l'utilisateur, comme peut

### EXCLUSIONS DE LA GARANTIE / NON COUVERTS:

La couverture de la garantie décrite ici exclut tous les défauts ou les dommages qui ne sont pas la faute directe de Avanti Products, y compris, sans limitation, un ou plusieurs des éléments suivants:

- Un non
- Les forces externes, élémentaires et / ou l'environnement et les facteurs, y compris, sans s'y limiter, la pluie, le vent, le sable, les inondations, les incendies, les coulées de boue, des températures de congélation, l'humidité excessive ou à une exposition prolongée à l'humidité, la foudre, les surtensions, les défaillances structurelles entourant l'appareil, et les actes de Dieu.
- Les pertes de contenu de la nourriture ou d'autres contenus en raison de la détérioration.
- Les dommages accessoires ou consécutifs
- Pièces et coûts de main
  - Portes évaporateurs, ressorts de la porte, et / ou des cadres.
  - Panneaux intérieurs de portes, des étagères de porte, rails de porte, et / ou supports de porte.
  - Les ampoules et / ou boîtier en plastique.
  - Doublures d'armoires en plastique.
  - Poncture évaporateur annule la garantie sur le système scellé complet.
- Les frais de transport et de manutention associés au remplacement de l'unité.
- Les réparations effectuées par réparateurs non autorisés.
- Les appels de service qui sont liés à des problèmes externes, tels que l'abus, l'alimentation électrique inadéquate, les accidents, les incendies, les inondations, ou tout autre acte de Dieu.
- Une panne du produit si elle est utilisée pour autre chose que son intention but.
- La garantie ne couvre pas en dehors de la Continental USA.
- Surtaxes, y compris mais sans s'y limiter, toute après heure, les appels week

En aucun cas, Avanti Products toute responsabilité ou responsabilité pour les dommages aux biens environnants, y compris les armoires, les planchers, les plafonds, et d'autres structures et / ou des objets autour du produit. Sont également exclus de cette garantie sont les égratignures, les entailles, les bosses mineures, et d'autres dommages esthétiques sur les surfaces externes et les parties exposées; Produits dont les numéros de série ont été modifiés, effacés ou supprimés; visites de service pour l'éducation à la clientèle, ou des visites où il n'y a rien de mal avec le produit; correction des problèmes d'installation (vous êtes seul responsable de toute structure et réglage pour le produit, y compris tous les systèmes électriques, de plomberie et / ou d'autres installations de raccordement, pour le bon plancher / fondation, et pour toute modification, y compris sans s'y limiter les armoires, les murs, les planchers, les étagères etc., ainsi que la remise à zéro des disjoncteurs ou fusibles.

### HORS DE LA GARANTIE DU PRODUIT

Avanti Products est soumis à aucune obligation, en droit ou autrement, de vous fournir toutes les concessions, y compris les réparations, les pro

GARANTIE - REFRIGERATION - COMPRESSEUR

## Registration Information

Thank you for purchasing this fine Avanti product. Please fill out this form and return it to the following address within 100 days from the date of purchase and receive these important benefits:

**Avanti Products, LLC.**  
**P.O.Box 520604 – Miami, Florida 33152**

➤ **Protect your product:**

We will keep the model number and date of purchase of your new Avanti product on file to help you refer to this information in the event of an insurance claim such as fire or theft.

➤ **Promote better products:**

We value your input. Your responses will help us develop products designed to best meet your future needs.

------(detach here)-----

### Avanti Registration Card

Name	Model #	Serial #
Address	Date Purchased	Store / Dealer Name
City            State            Zip	E-mail Address	
Area Code    Phone Number	Occupation	
<b>Did You Purchase An Additional Warranty</b> <input type="checkbox"/> Extended <input type="checkbox"/> None	<b>As your Primary Residence, Do You:</b> <input type="checkbox"/> Own <input type="checkbox"/> Rent	
<b>Reason for Choosing This Avanti Product:</b> Please indicate the most important factors That influenced your decision to purchase this product:	<b>Your Age:</b> <input type="checkbox"/> under 18 <input type="checkbox"/> 18-25 <input type="checkbox"/> 26-30 <input type="checkbox"/> 31-35 <input type="checkbox"/> 36-50 <input type="checkbox"/> over 50	
<input type="checkbox"/> Price <input type="checkbox"/> Product Features <input type="checkbox"/> Avanti Reputation <input type="checkbox"/> Product Quality <input type="checkbox"/> Salesperson Recommendation <input type="checkbox"/> Friend / Relative Recommendation <input type="checkbox"/> Warranty <input type="checkbox"/> Other: _____	<b>Marital Status:</b> <input type="checkbox"/> Married <input type="checkbox"/> Single	
Comments:	<b>Is This Product Used In The:</b> <input type="checkbox"/> Home <input type="checkbox"/> Business	
  	<b>How Did You Learn About This Product:</b> <input type="checkbox"/> Advertising <input type="checkbox"/> In-Store Demo <input type="checkbox"/> Personal Demo	

OR51Z3SSN / COR51Z3SGN TRILINGUAL 3/17

PRINTED IN CHINA