

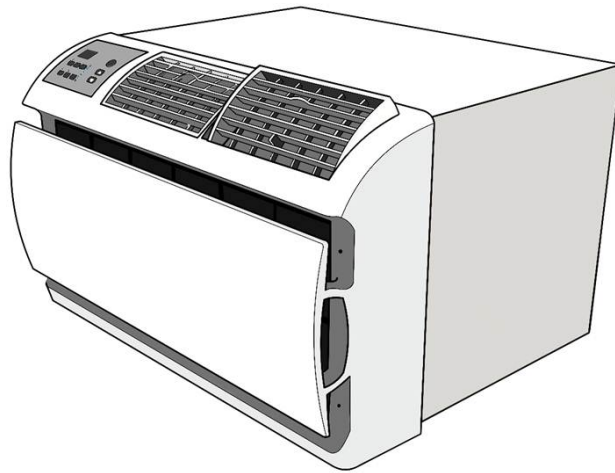
# Thru-the-wall

## Air Conditioners and Heat Pumps

---

**WallMaster**<sup>®</sup> 115-Volt: WS08, WS10, WS12  
230-Volt: WS10, WS12, WS15, WE10, WE12, WE15, WY09, WY12

## Installation and Operation Manual



ENGLISH

ESPAÑOL

FRANÇAIS

# Table of Contents

Safety Precautions .....	3
Electrical Data .....	3
How to operate your Friedrich room air conditioner .....	4
To set mode of operation.....	4
To adjust temperature .....	4
To adjust fan speed .....	4
To activate Smart Fan .....	4
To set hour clock .....	4
To set the timer .....	4
Automatic component protection .....	5
Using the remote control .....	5
How to set the timer .....	6
How to clean the air filter .....	6
Electrical requirements.....	7
Troubleshooting tips and home maintenance .....	8
<b>Installation instructions for WSE sleeve</b>	
Mounting hardware.....	8
Wall preparation.....	8
Installation requirements.....	9
Sleeve installation.....	9
How to cover inner weather panel holes.....	9
<b>WallMaster chassis installation instructions</b>	
WS, WE and WY models installation .....	10
Condensate removal .....	11
Alternate drain kits .....	11
Warranty .....	12
<b>Performance Testing Installation and Test Method (for testing laboratory use) .....</b>	<b>41</b>

<b>THINK SAFETY FIRST</b>	<b>⚠ WARNING</b> Do not remove, disable or bypass this unit's safety devices. Doing so may cause, fire, injuries or death.	<b>⚠ AVERTISSEMENT</b> Ne pas supprimer, désactiver ou contourner cette l'unité des dispositifs de sécurité. faire vous risqueriez de provoquer, le feu, les blessures ou la mort.	<b>⚠ ADVERTENCIA</b> No eliminar, desactivar o pasar por alto los dispositivos de seguridad de la unidad. Si lo hace podría producirse fuego, lesiones o muerte.
-----------------------------------	---	---	---

# Safety Precautions

## Your safety and the safety of others are very important.

We have provided important safety messages in this manual and on your appliance. Always read and obey all safety messages. All safety messages will tell you what the potential hazard is, tell you how to reduce the chance of injury, and tell you what will happen if the instructions are not followed.



This safety Alert symbol warns you from potential hazards that can kill or hurt you and others.

All safety messages will follow the safety alert symbol with the word "WARNING" or "CAUTION". These words mean:

**WARNING**

Indicates a hazard which, if not avoided, can result in severe personal injury or death and damage to product or other property.

**CAUTION**

Indicates a hazard which, if not avoided, can result in personal injury and damage to product or other property.

**NOTICE**

Indicates property damage can occur if instructions are not followed.

## Electrical Data

Model Plug	Type	Circuit Rating, Breaker or Time Delay Fuse
WS08, WS10, WS12	NEMA No. 5-15P	125 V-15 AMP
WS10, WS12, WS15	NEMA No. 6-15P	250V-15AMP
WE10, WE12, WE15, WY09, WY12	NEMA No. 6-20P	250V-20 AMP

**WARNING**

**Electrical Shock Hazard**

Make sure your electrical receptacle has the same configuration as your air conditioner's plug. If different, consult a Licensed Electrician.

Do not use plug adapters.

Do not use an extension cord.

Do not remove ground prong.

Always plug into a grounded 3 prong outlet.

Failure to follow these instructions can result in death, fire, or electrical shock.

**Figure A**

**NOTE:** Your LCDI device will resemble one of these illustrations.

RESET TEST

WARNING

TEST BEFORE EACH USE  
1. PRESS RESET BUTTON  
2. PLUG LCDI INTO POWER RECEPTACLE  
3. PRESS TEST BUTTON, RESET BUTTON SHOULD POP UP  
4. PRESS TEST BUTTON, FOR USE  
DO NOT USE IF ABOVE TEST FAILS WHEN GREEN LIGHT IS ON

## Never use an extension cord

Your Friedrich room air conditioner is equipped with a three-prong (grounded) plug for your protection against shock hazards and should be plugged directly into a properly grounded three-prong receptacle. If you have a two-prong receptacle you will need to have the circuit replaced by a certified electrician with a grounded circuit that meets all national and local codes and ordinances. Under no circumstances should you remove the ground prong from the plug. You must use the three-prong plug furnished with the air conditioner.

**NEVER CUT OR REMOVE THE GROUNDING PRONG FROM THE PLUG.**

## Power cord information

All Friedrich room air conditioners are shipped from the factory with a Leakage Current Detection Interrupter (LCDI) equipped power cord. The LCDI device meets the UL and NEC requirements for cord connected air conditioners effective August 2004.

### To test your power supply cord:

1. Plug power supply cord into a grounded 3 prong outlet.
2. Press **RESET** (See Figure A).
3. Press **TEST** (listen for click; Reset button trips and pops out).
4. Press and release **RESET** (listen for click; Reset button latches and remains in). The power supply cord is ready for operation.

**NOTE:** LCDI device is not intended to be used as a switch.

Once plugged in the unit will operate normally without the need to reset the LCDI device.

If the device fails to trip when tested or if the power supply cord is damaged it must be replaced with a new supply cord from the manufacturer. We recommend you contact our Technical Assistance Line at (800) 541-6645 ext. 845. To expedite service, please have your model and serial number available.

# How to operate your Friedrich room air conditioner

## Inspect product prior to installation.

If your air conditioner is installed and plugged into a proper receptacle, it is ready to go. The first time the unit is started, the compressor will delay for three minutes. See Automatic Component Protection on the following page (See Figures 1 & 2, page 5).

- ① Touch the **Power** button once. The unit will automatically be in **Cooling** and **MoneySaver®** mode with the temperature set at 75°F (24°C) and the fan speed at F1, the sleep setting.
- ② **MoneySaver®** is a feature that cycles the fan with the compressor so that the fan does not run all the time. This saves energy and improves dehumidification. MoneySaver® will also run to test the temperature when the off cycle is too long. Or you may prefer constant fan for more air movement. To deactivate MoneySaver® and go to Constant Fan, press the MoneySaver® button.

## To set mode of operation

- ③ The unit will automatically be in Cool mode. To go to the next mode of operation, press the **System** button.

In order to run the fan by itself, do the following:

- ④ Continuing from Cool mode, press the **System** button once to activate the **Fan Only** feature.
- ⑤ On WY/WE heat-cool models, continuing from **Fan Only** mode, press the **System** button once to activate heat mode.

## To adjust temperature

(The unit needs to be in **Cool** or **MoneySaver®** or **Heat** mode.)

- ⑥ **COOLER** – Touch the **✓** button to lower the room air temperature.
- ⑦ **WARMER** – Touch the **^** button to raise the room air temperature.

Press both the **^** and **✓** buttons at the same time to switch the temperature from Fahrenheit (°F) to Celsius (°C).

Repeat these steps to switch from °C back to °F.

## To adjust fan speed

- ⑧ Touch the **Fan Speed** button to see the current setting. Touch it again to change speed. "F1" is the lowest setting (SLEEP SETTING / LOW), "F2" is MEDIUM, "F3" is HIGH and "SF" is SmartFan. In SmartFan mode, the fan will automatically select the fan speed needed to satisfy your desire set point

NOTE: SMART FAN DOES NOT OPERATE IN CONJUNCTION WITH THE FAN ONLY MODE.

## To set the hour clock

- ⑨ Touch the **Set Hour** button to see the current setting. The number that is displayed is the approximate time (hour only). Use the **^** and **✓** buttons to change the settings. BE SURE TO SET A.M. AND P.M. ACCORDINGLY. (P.M. is indicated by a red light in the upper left corner of the display).

## To set the timer

**NOTE:** Set the HOUR CLOCK (**Set Hour**) before attempting to set timer functions.

You can set the **Start Time** and **Stop Time** a minimum of one hour apart, and a maximum of 23 hours apart.

After setting the time, press the **Set Hour** button once (Start light on). Use the **^** and **✓** buttons to select the time that the unit will **START**.

After selecting the **Start Time**, press the **Set Hour** button once. (Stop Light on). Use the **^** and **✓** buttons to select the time that the unit will **STOP**. After selecting the stopping time, press the **Set Hour** button once.

- ⑩ Press the **Timer On/Off** button (light turns on) to activate the timer function. To deactivate this function, press the **Timer On/Off** button once again (light turns off). Once the on and off times have been selected, they will remain in memory and cycle daily until changed.

**NOTE:** If the unit is unplugged or the power is interrupted, the HOUR must be reset or the **Timer On/Off** will not function when desired.

## To Re-Activate Money Saver

- ② Press the **MoneySaver®** button to activate the **MoneySaver®** feature. The light will indicate **MoneySaver®** is in use.

## Check Filter Light

- ⑪ The Check Filter light comes on when the filter needs cleaning. Press the Check Filter button to reset the timer.

## Digital Control Panels

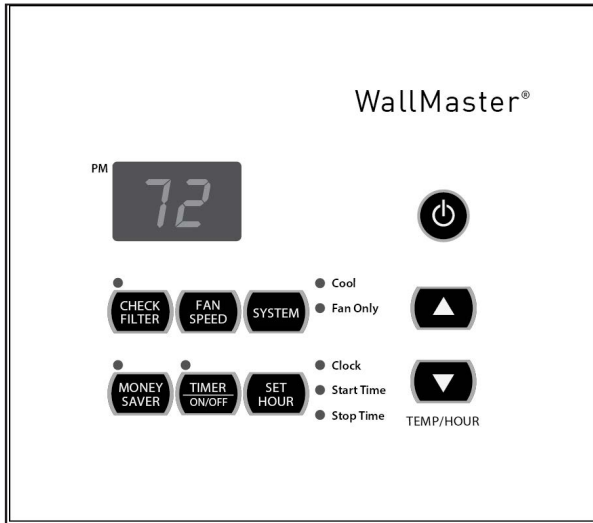


Figure 1: WS Model cool-only control panel

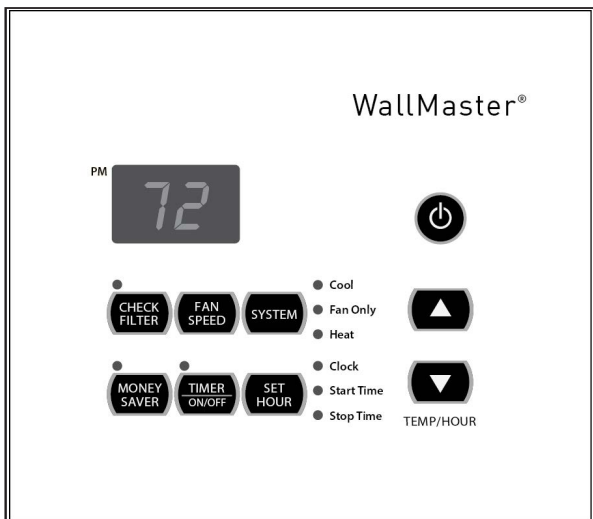


Figure 2: WY/WE Model heat-cool control panel

### Automatic component protection

Your unit is equipped with Automatic Component Protection.

To protect the compressor of the unit, there is a three minute delay if you turn the unit off or if power is interrupted. The fan will not be affected. Also, if you switch from **Heat/Cool** mode to **Fan Only** mode, and switch back to **Heat/Cool** mode, there is a three-minute delay before the compressor comes back on.

## Using the remote control

### To start unit (See Figure 3, page 6)

- 1 **POWER** - Press the **Power** button once. The unit will automatically start in the mode and fan speed it was last left on.

### To set mode of operation


- 2 **COOL** - Press the **Cool** button to automatically switch the operating mode to COOL.
- 3 **FAN ONLY** - Press the **Fan Only** button if you want to run the fan only.
- 4 **HEAT (WY/WE models only)** - Press the **Heat** button to automatically switch the operating mode to HEAT.
- 5 **MoneySaver®** - Press the Money Saver® button to activate the MoneySaver® feature. This feature cycles the fan with the compressor so that the fan does not run all the time.

### To adjust temperature

- 6 **WARMER** - Press the **Warmer** button to raise the temperature setting.
- 7 **COOLER** - Press the **Cooler** button to lower the temperature setting.

Note: Your remote control will only operate in Fahrenheit (°F)

### To adjust fan speed

- 8 **FAN SPEED** - Press the **Fan Speed** button to see the current setting. Press again to change the fan speed. 1 is the lowest setting (SLEEP / LOW), 2 is MEDIUM, 3 is HIGH, and  is the SMART FAN setting.

### To reset Check Filter light

- 9 **Check Filter Reset** - Press the Check Filter button to reset the filter timer and turn off the Check Filter light.

### To set the hour clock

- 10 **SET HOUR CLOCK** - Press the **Set Hour** button once to see the current clock setting. Continue pressing the button until arrive at the current time (Hour only). Minutes are not shown on the display. Make sure that the A.M/P.M setting is correct.

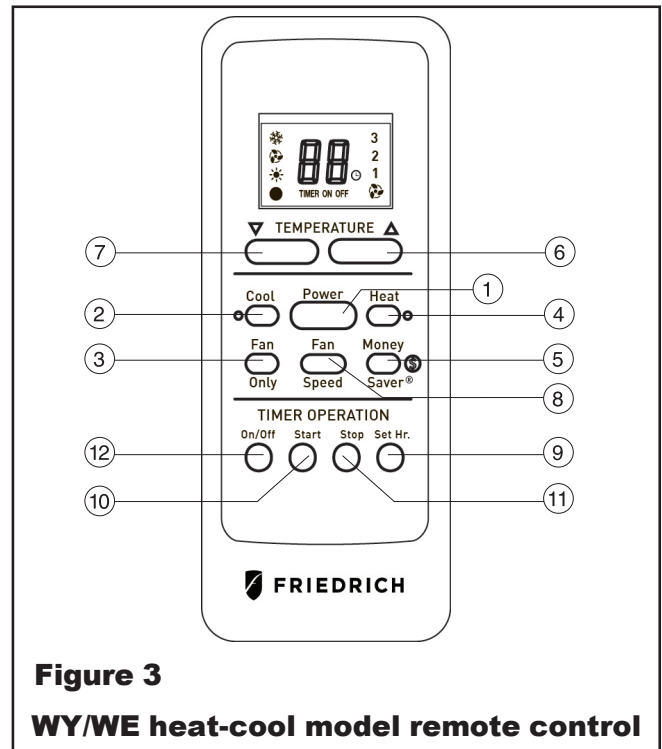
## To set the timer

**NOTE:** You can set the START and STOP times a minimum of one hour apart, and a maximum of 23 hours apart.

- ⑩ **TIMER START** - Press **Start** to view the current start time for cooling. Continue pressing the START button until you arrive at the start time you desire. The start time for cooling will then be set.
- ⑪ **TIMER STOP** - Press the **Stop** button. Continue pressing the STOP button until you arrive at the stop time you desire. The stop time for cooling will then be set.
- ⑫ **TIMER ON / OFF** - Press the **On/Off** button (under **Timer Operation**) to activate (light on) or deactivate (light off) the timer. Once the on and off times have been selected, they will remain in memory and cycle daily until changed.

**NOTE:** If the unit is unplugged or the power is interrupted, the **Set Hour** function must be reset or the **Timer On/Off** function will not work.

Additional RC1 wireless remote controls can be purchased from your Friedrich dealer.



**Figure 3**  
**WY/WE heat-cool model remote control**

## How to clean the air filter

Your Friedrich room air conditioner is equipped with a permanent/washable mesh air filter. The filter serves to remove dust, pollen, and other impurities from the air.

### CHECK FILTER LIGHT

Your Friedrich room air conditioner is equipped with a check filter light that will illuminate after \*45-60 days of fan operation.

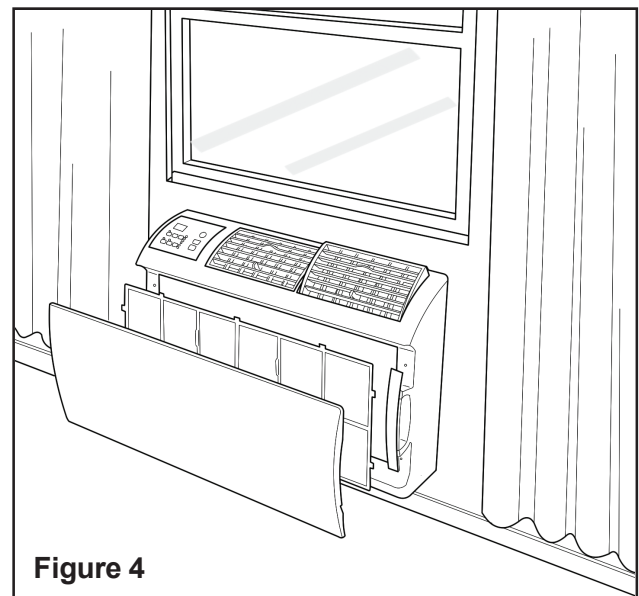
To reset the CHECK FILTER reminder press the CHECK FILTER button. (While the reminder is set for 45-60 days of operation, we recommend checking the filter every 30 days for optimal performance.)

\*Actual timer is set for 1000 hours of fan cycle operation.

### FILTER ACCESS

Remove the FRONT PANEL. Using the handles, pull panel out until it is released from the two retaining snaps. Place the cover aside carefully. Remove the filter by pulling it from the handles releasing it from the slots on the frame. Wash the filter with water to remove all dust and then rinse, remove water excess and let it dry – do not twist – then replace the filter by inserting each tab in their respective slot.

Replace the FRONT PANEL by positioning one of the sides in the snaps of the handle first and then the other side, make sure that both snaps are correctly aligned and the Logo is in the right position.



**Figure 4**


## Electrical requirements


**IMPORTANT:** Before you begin the actual installation of your air conditioner, check local electrical codes and the information below.

Your air conditioner must be connected to a power supply with the same AC voltage and hertz rating as marked on the nameplate located on the chassis. Only alternating current (AC) can be used. Consult page 3 for the correct type of receptacle for your model.

An overloaded circuit will invariably cause malfunction or failure of an air conditioner, therefore, it is extremely important that the electrical power and the wiring is adequate. Consult your dealer or power company if in doubt.

**CIRCUIT PROTECTION** - Before installing or relocating your Friedrich Room Air Conditioner, check the amp rating of the circuit breaker or "TIME-DELAY" fuse. Refer to the nameplate located on the air conditioner chassis to determine the correct fuse or circuit breaker amperage for your model. The rating **MUST NOT** exceed the value stated on the nameplate. If the air conditioner is connected to a circuit protected by a fuse, a "TIME-DELAY" fuse must be used due to the momentary high current demands when your air conditioner is started.

<b>⚠ WARNING</b>	
	<b>Electrical Shock Hazard</b> Use correct circuit protection. Failure to follow these instructions can result in death, fire, or electrical shock.

<b>⚠ WARNING</b>	
	<b>Electrical Shock Hazard</b> Disconnect power before servicing. Replace all parts and panels before operating. Failure to do so can result in death or electrical shock.

## Things to know about a WallMaster heat pump

During the heat pump operation, you may notice some functions that did not occur when the unit was used for cooling:

1. It is common for ice to form on the outdoor coil of your WallMaster Heat Pump. The ice forms due to moisture in the outdoor air passing over cold (below freezing) coil surfaces.
2. When the outdoor coil forms ice, your heat pump will automatically initiate a defrost. The compressor will stop and the fan will continue to run. The electric heat will be turned on to continue warming the room while the outdoor air defrost the outdoor coil. After the defrost is completed, the unit will automatically return to the heat pump mode.
3. Steam may be seen rising from the outdoor coil during the defrost. This is similar to expelling warm breath on a cold morning.
4. If the outdoor temperature drops below 43°F during heat pump operation, your WallMaster Heat Pump will automatically switch to electric resistance heat and will continue to operate in this mode as long as the outdoor temperature remains at 43° F or below.

## Troubleshooting tips and home maintenance

### Won't cool

If the unit operates, but won't cool, determine if the controls are properly set. Set the thermostat to a cooler position in order to check control settings. Check the filter and clean it thoroughly, if needed. Check to see if the vent door is closed.

### Won't heat (for heat/cool models only)

If the unit operates, but won't heat, determine if the control settings are correct. Adjust the thermostat to a warmer position to determine if it operates. Also, check the filter and clean it thoroughly, if needed.

### Odors in heating (for heat/cool models only)

You may notice a smoke odor the first time the heater element comes on. This is common in any type of heat system when first turned on for the winter. The odor comes from dust and other particles that accumulate during the warm months. The odor will dissipate quickly.

### Won't run

If the unit fails to operate, check to see if the power cord is firmly plugged in. Check for blown fuses, tripped circuit breakers or a tripped LCDI Device (Refer to LCDI reset instructions in the **Power cord information** section). Restore the circuit breaker or replace the blown fuse with a proper size "TIME-DELAY" fuse. The proper fuse size is shown on page 3 in these instructions. After restoring the current supply to the unit, wait three minutes before unit will restart.

### Frosting of the indoor coil

Certain operating conditions may produce indoor coil frost. During the cooling operation, a dirty filter or restricted air distribution in combination with cool, damp weather could cause such an occurrence. Should the indoor coil frost over while cooling, set the control to FAN and keep it running until the frost on the coil is gone. Setting the thermostat to a slightly warmer position will probably keep the coil from frosting over again.

### Cleaning the decorative front

The decorative front of your Friedrich room air conditioner, as well as the complete cabinet, may be cleaned with warm water and mild detergent. Under adverse operating conditions, the indoor and outdoor coils and base pan may require periodic cleaning to maintain efficient operation. Your Friedrich dealer should be called when this service is required.

## Installation Instructions for WSE Sleeve (WSE Sleeve Accessory Sold Separately)



### Mounting hardware provided

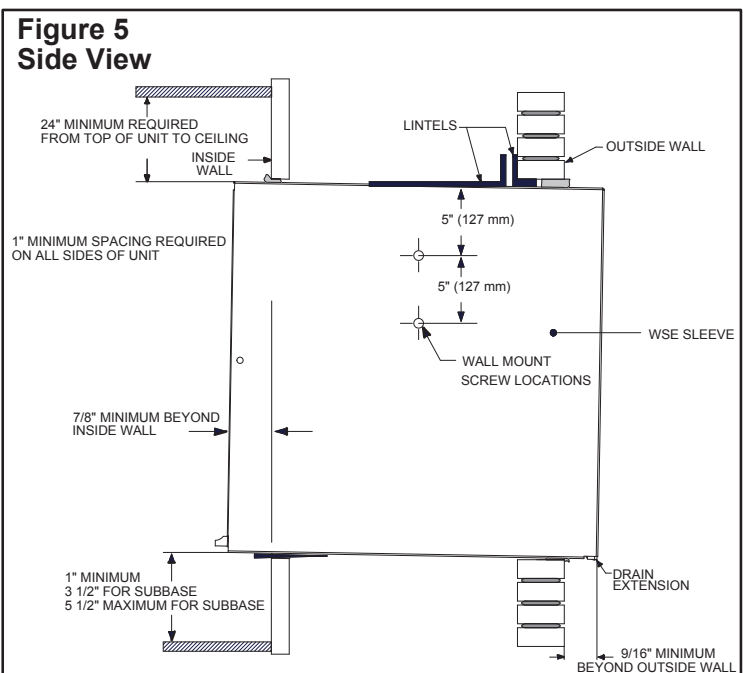
ITEM NO.	DESCRIPTION	QTY.
1	SCREW, #12A x 2"	7

### Wall preparation

**STEP 1** The wall opening required for a WSE SLEEVE is 17 ¼" high by 27 ¼" wide.

**STEP 2** LINTELS must be used in opening of brick veneer and masonry walls to support the material above the WSE SLEEVE. The following considerations should also be given:

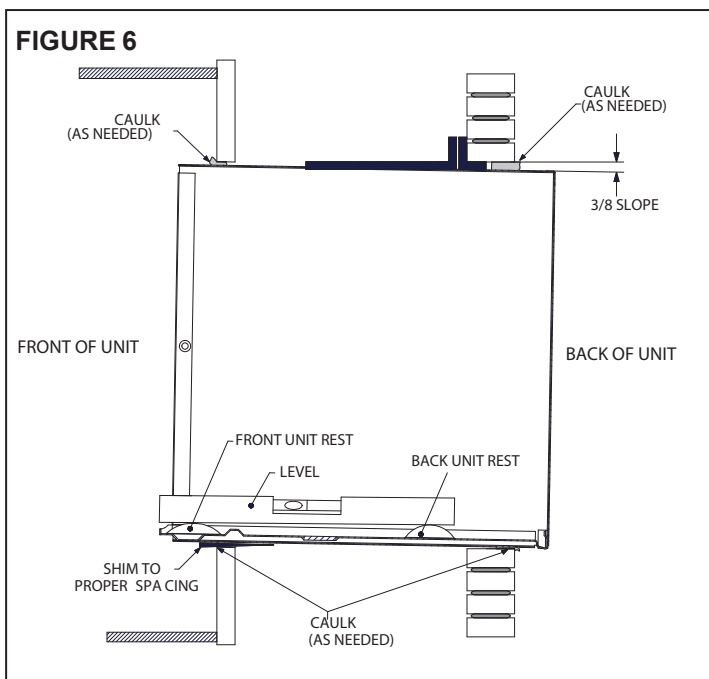
- A. A minimum distance of 1" must be allowed on all sides of the unit to adjacent wall and floor. Where the subbase is required, the minimum distance from the floor to the sleeve must be 3 ½". To minimize chances of short cycling of the compressor, the minimum clearance between the ceiling and the top of the unit should be 24". (See figure 5)
- B. Adjustable SUBBASE (SB) or other unit support must be provided for panel wall type construction and for walls less than 8" thick.





## Installation Requirements

- STEP 1** The WSE SLEEVE should be positioned so that the DRAIN EXTENSION extends a minimum of 9/16" beyond the OUTSIDE WALL. (See Figure 5)
- STEP 2** The WSE SLEEVE must extend a minimum of 7/8" beyond the INSIDE WALL.
- STEP 3** The WSE SLEEVE must be installed level side to side.
- STEP 4** The WSE SLEEVE must also be installed with a downward tilt toward the outside of the building. If a level is placed so that it rests on the FRONT and BACK UNIT REST as shown in Figure 6, a properly installed unit provides a 3/8" slope to the outside of the building



## NOTICE

SLEEVE projections and leveling precautions must be observed to prevent the entry of water into the room.

## Sleeve Installation

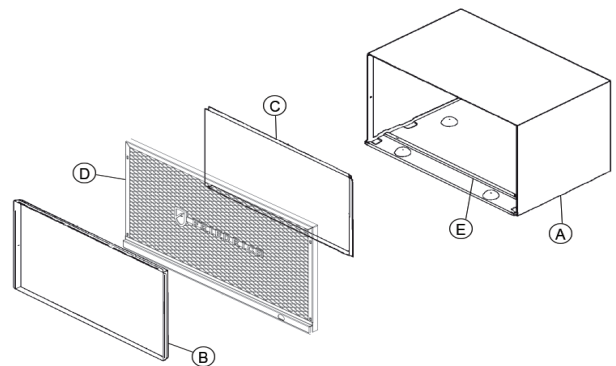
- STEP 1** After unpacking the WSE SLEEVE from the carton, remove the INDOOR WEATHER PANEL. Place the WSE SLEEVE in the wall opening following the instructions given in the INSTALLATION REQUIREMENTS. Attach the SLEEVE to the INSIDE WALL by driving two #12A x 2" screws in each side of the SLEEVE. (see Figure 5) Shim at the top of the SLEEVE, midway between the sides. Drive one #12A x 2" screw in the top of the SLEEVE. If the wall opening is not framed with wood, use expansion anchor bolts or molly (toggle) bolts (not provided).
- STEP 2** Once the SLEEVE has been installed, check the LEVEL again to be sure the 3/8" downward slope is maintained.

**NOTE:** If necessary, apply shims below the chassis and inside the sleeve FRONT UNIT REST, to ensure a 3/8" downward slope front to back.

- STEP 3** Caulk the perimeter of the entire opening on the inside and the outside between the SLEEVE and the WALL.
- STEP 4** The indoor weather panel removed in Step 1 above must be remounted back in place if masonry work is to be done and/or if the "WallMaster" chassis is to be installed at a later date.



## How to cover inner weather panel holes


Two beige plugs are included in the plastic bag taped to the WallMaster chassis. These plugs may be used to cover the two holes left after removing the indoor weather panel.



A	WSE	SLEEVE
B	61603200	INDOOR WEATHER PANEL (METAL)
C	61603304	OUTDOOR WEATHER PANEL (PAINTED METAL)
D	61603012	ASSY GRILLE WSE SLEEVE
E	61578101	GASKET (ATTACHED TO SLEEVE)

# WallMaster chassis installation instructions for WS, WE and WY models

 <b>CAUTION</b>	
	<b>Excessive Weight Hazard</b> Use two or more people when installing your air conditioner. Failure to do so can result in back or other injury.

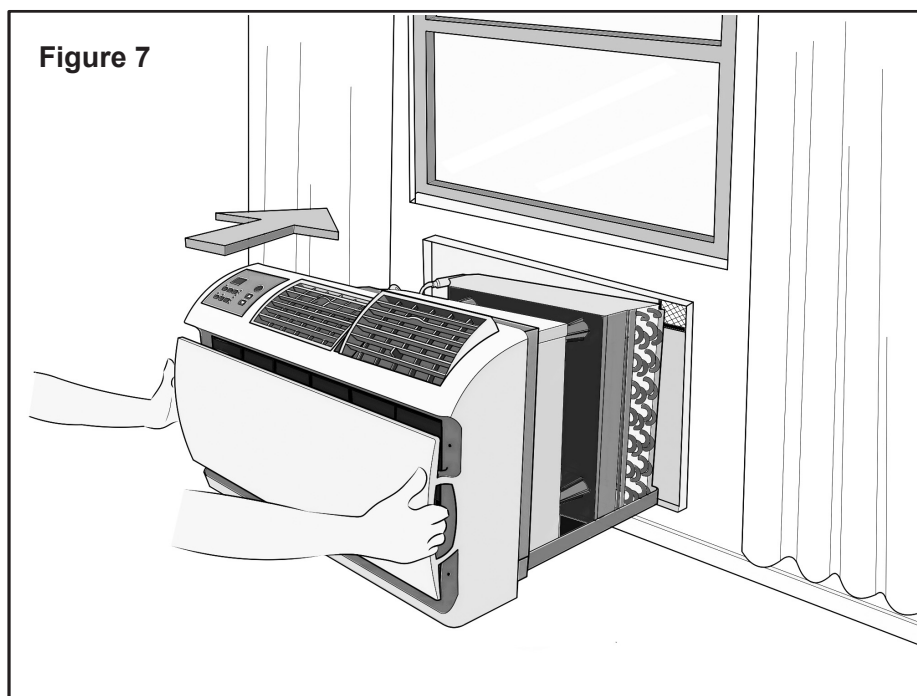
 <b>CAUTION</b>	
	<b>Cut/Sever</b> Although great care has been taken to minimize sharp edges in the construction of your unit, use gloves or other hand protection when handling unit. Failure to do so can result in minor to moderate personal injury.

- STEP 1** Check the sleeve to be certain it has been correctly installed in the wall. Remove the front panel on the WSE SLEEVE. Remove the rear WEATHER PANEL. Reverse grille. Place lower edge into sleeve tab (Friedrich logo facing out). Align slots with the screw holes. Secure grille with screws.
- A. Check the anchor screw. There should be four (4) in the WSE SLEEVE (two in each side.)
  - B. Determine if the sleeve has a downward slope of 3/8" to the outside. See page 8 for further details.
  - C. Check to be sure the sleeve has been sealed around all edges with an industrial type caulking on both the outside and inside to prevent rain entry.

- STEP 2** Check the electrical receptacle to see that it conforms to the requirements for the chassis model to be installed. See page 3, for the receptacle requirements.

- STEP 3** Remove the chassis from the shipping carton. Lift the chassis by the basepan and slide it into the front of the sleeve. (Obtain assistance as needed) Push the chassis all the way into the sleeve, using the plastic front handles, so that the front panel meets the front edge of the shell.

NOTE: Chassis comes with pre-installed seal gasket.





## WARNING



### Moving Object Hazard

Replace all panels before operating your air conditioner.

Failure to do so can result in severe personal injury or death and damage to product or other property.

## Condensate removal (WS, WE and WY models)

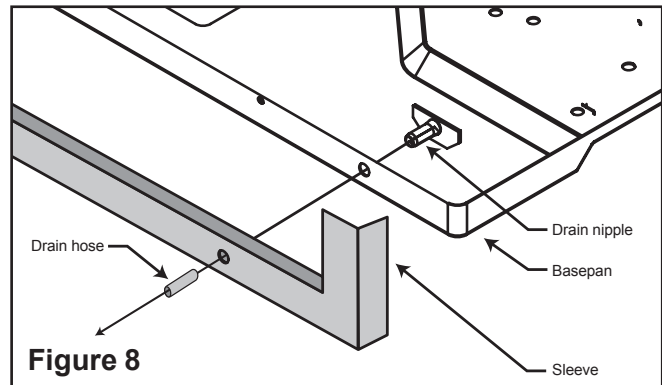
If you desire to drain condensate from the basepan during unit operation, this unit is provided with a drain nipple that can be attached to the basepan. You must provide a 3/8" outside diameter thin-wall plastic or copper tube which will attach to the drain nipple.

Follow the instructions below:

- STEP 1 Find the drain rubber plug on the rear of the basepan and remove it. (See Figure 8).
- STEP 2 Remove the knockout in the lower right side of the rear grille. Slide the chassis into the WSE SLEEVE so that the drain nipple extends through the knockout.
- STEP 3 Slide the tubing over the drain nipple.

If the chassis must be removed from the sleeve for service, remove the clamped drain hose before sliding the chassis out of the sleeve.

## Alternate drain kits



### DK (Drain Kit)

In the event that the outdoor temperature drops below 37°F, any water that remains in the chassis basepan is drained into the sleeve pan on WE and WY models to prevent freezing. (NOTE: In the cooling mode of the WS, WE and WY models, condensate overflow is possible in very humid climates). For these particular instances, an optional drain kit (Accessory #DK) is available for water removal.

### IDK (Interior Drain Kit)

New construction allowing for condensate drain systems built within the walls can use the Friedrich Interior Drain Kit (Accessory #IDK). This kit is designed for installation in the bottom of the sleeve below the condensate bellows valve (heat/cool models only).



**F R I E D R I C H**

**Friedrich Air Conditioning Company**

10001 Reunion Place, Suite 500

San Antonio, Tx 78216

1-800-541-6645

www.friedrich.com

# **WALLMASTER<sup>®</sup>**

## **THRU-THE-WALL AIR CONDITIONERS**

### **LIMITED WARRANTY**

#### **FIRST YEAR**

**ANY PART:** If any part supplied by FRIEDRICH fails because of a defect in workmanship or material within twelve months from date of original purchase, FRIEDRICH will repair the product at no charge, provided room air conditioner is reasonably accessible for service. Any additional labor cost for removing inaccessible units and/or charges for mileage related to travel by a Service Agency that exceeds 25 miles one way will be the responsibility of the owner. This remedy is expressly agreed to be the exclusive remedy within twelve months from the date of the original purchase.

#### **SECOND THROUGH FIFTH YEAR**

**SEALED REFRIGERANT SYSTEM:** If the Sealed Refrigeration System (defined for this purpose as the compressor, condenser coil, evaporator coil, reversing valve, check valve, capillary, filter drier, and all interconnecting tubing) supplied by FRIEDRICH in your Room Air Conditioner fails because of a defect in workmanship or material within sixty months from date of purchase, FRIEDRICH will pay a labor allowance and parts necessary to repair the Sealed Refrigeration System; **PROVIDED** FRIEDRICH will not pay the cost of diagnosis of the problem, removal, freight charges, and transportation of the air conditioner to and from the Service Agency, and the reinstallation charges associated with repair of the Sealed Refrigeration System. All such cost will be the sole responsibility of the owner. This remedy is expressly agreed to be the exclusive remedy within sixty months from the date of the original purchase.

**APPLICABILITY AND LIMITATIONS:** This warranty is applicable only to units retained within the Fifty States of the U.S.A., District of Columbia, and Canada. This warranty is not applicable to:

1. Air filters or fuses.
2. Products on which the model and serial numbers have been removed.
3. Products which have defects or damage which results from improper installation, wiring, electrical current characteristics, or maintenance; or caused by accident, misuse or abuse, fire, flood, alterations and/or misapplication of the product and/or units installed in a corrosive atmosphere, default or delay in performance caused by war, government restrictions or restraints, strikes, material shortages beyond the control of FRIEDRICH, or acts of God.

**OBTAINING WARRANTY PERFORMANCE:** Service will be provided by the **FRIEDRICH Authorized Dealer or Service Organization** in your area. They are listed in the Yellow Pages. If assistance is required in obtaining warranty performance, write to: Friedrich Air Conditioning Co., ATTN: Warranty Registration, 10001 Reunion Place, Ste. 500, San Antonio, TX 78216.

**LIMITATIONS:** **THIS WARRANTY IS GIVEN IN LIEU OF ALL OTHER WARRANTIES. Anything in the warranty notwithstanding, ANY IMPLIED WARRANTIES OF FITNESS FOR PARTICULAR PURPOSE AND/OR MERCHANTABILITY SHALL BE LIMITED TO THE DURATION OF THIS EXPRESS WARRANTY. MANUFACTURER EXPRESSLY DISCLAIMS AND EXCLUDES ANY LIABILITY FOR CONSEQUENTIAL OR INCIDENTAL DAMAGE FOR BREACH OF ANY EXPRESSED OR IMPLIED WARRANTY.**

**Performance of Friedrich's Warranty obligation is limited to one of the following methods:**

1. Repair of the unit
2. A refund to the customer for the prorated value of the unit based upon the remaining warranty period of the unit.
3. Providing a replacement unit of equal value

**The method of fulfillment of the warranty obligation is at the sole discretion of Friedrich Air Conditioning.**

**NOTE:** Some states do not allow limitations on how long an implied warranty lasts, or do not allow the limitation or exclusion of consequential or incidental damages, so the foregoing exclusions and limitations may not apply to you.

**OTHER:** This warranty gives you specific legal rights, and you may also have other rights which vary from state to state.

**PROOF OF PURCHASE:** Owner must provide proof of purchase in order to receive any warranty related services.

All service calls for explaining the operation of this product will be the sole responsibility of the consumer.

All warranty service must be provided by an **Authorized FRIEDRICH Service Agency**, unless authorized by FRIEDRICH prior to repairs being made. (10-04)

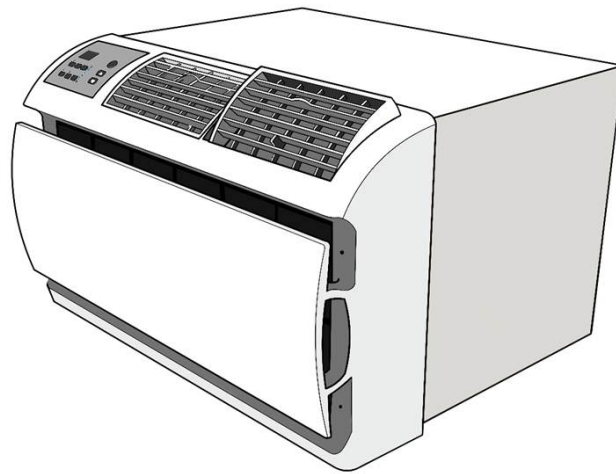
# Thru-the-wall

Unidades de aire acondicionado y bombas de calor

---

**WallMaster**<sup>®</sup> 115-Volt: WS08, WS10, WS12  
230-Volt: WS10, WS12, WS15, WE10, WE12, WE15, WY09, WY12

## Instrucciones de instalación y funcionamiento



ENGLISH

ESPAÑOL

FRANÇAIS

# Índice de contenido

## Introducción

Consejos de ahorro de energía.....	15
Datos eléctricos.....	15
Su seguridad y la seguridad de los demás .....	15
Nunca utilice un cable de extensión.....	15
Información sobre el cable de alimentación.....	15

## Operación

Cómo utilizar el acondicionador de aire para habitaciones Friedrich para poner en marcha la unidad .....	16
Para configurar el modo de funcionamiento .....	16
Para ajustar la temperatura.....	16
Para ajustar la velocidad del ventilador.....	16
Para activar el ventilador inteligente.....	16
Para configurar el reloj horario .....	16
Para configurar el temporizador .....	16
Para activar MoneySaver .....	16
Protección automática de componentes .....	16
Uso del mando a distancia.....	17
Cómo limpiar el filtro del aire.....	18
Requisitos eléctricos.....	19
Cosas que debe saber sobre su unidad de calor.....	19
Consejos para solucionar problemas y mantenimiento en el hogar.....	20

## Instrucciones de instalación para la carcasa WSE

Preparación de la pared.....	20
Requisitos de instalación.....	20
Requerimientos para la instalación.....	21
Instalación de la base de empotrado .....	21
Cómo cubrir los orificios del panel protector interno.....	21
Instrucciones de instalación del chasis WallMaster Instalación de los modelos WS, WE y WY .....	21
Eliminación de condensados.....	23
Kits de drenaje alternativos .....	23
Garantía .....	24

<b>THINK SAFETY FIRST</b>	<b>⚠ WARNING</b>	<b>⚠ AVERTISSEMENT</b>	<b>⚠ ADVERTENCIA</b>
	Do not remove, disable or bypass this unit's safety devices. Doing so may cause, fire, injuries or death.	Ne pas supprimer, désactiver ou contourner cette l'unité des dispositifs de sécurité. faire vous risqueriez de provoquer, le feu, les blessures ou la mort.	No eliminar, desactivar o pasar por alto los dispositivos de seguridad de la unidad. Si lo hace podría producirse fuego, lesiones o muerte.

# Precauciones de Seguridad

**Su seguridad y la seguridad de los demás son muy importantes.**  
 Proporcionamos muchos mensajes de seguridad importantes en este manual y en su aparato.  
 Siempre lea y obedezca todos los mensajes de seguridad.



Éste es un símbolo de alerta de seguridad.

Este símbolo lo alerta de posibles riesgos que pueden causarle la muerte o lesionarlo a usted o a otras personas. Todos los mensajes de seguridad contarán con el símbolo de alerta de seguridad con la palabra "ADVERTENCIA" O "PRECAUCIÓN". Estas palabras quieren decir:

**ADVERTENCIA**

Puede ocasionarse la muerte o lesiones graves si no sigue las instrucciones.

**PRECAUCIÓN**

Puede provocarse lesiones leves a moderadas si no sigue las instrucciones.

Todos los mensajes de seguridad le indicarán cuál es el posible riesgo, le indicarán cómo reducir la probabilidad de lesionarse y lo que ocurrirá si no sigue las instrucciones.

**AVISO**

Los mensajes para alertarlo sobre posibles daños potenciales a la propiedad tendrán la palabra "AVISO". Pueden ocurrir daños a la propiedad si no sigue las instrucciones.

## Datos eléctricos

Número de modelo	Tipo de enchufe	Circuitos Interruptor o Fusible de acción retardada
WS08, WS10, WS12	NEMA No. 5-15P	125V-15 AMP
WS10, WS12, WS15	NEMA No. 6-15P	250V-15 AMP
WE10, WE12, WE15, WY09, WY12	NEMA No. 6-20P	250V-20 AMP

## ADVERTENCIA



**Peligro de choque eléctrico Asegúrese de que su receptáculo eléctrico cuente con la misma configuración que el enchufe de su aire acondicionado. Si es diferente, consulte con un electricista certificado. No use adaptadores para el enchufe. No utilice cables de extensión. No retire el contacto a tierra. Siempre conéctelo a un tomacorriente trifásico con contacto a tierra. No seguir estas instrucciones puede ocasionar la muerte, un incendio o un choque eléctrico.**

## Nunca use cables de extensión para hacer funcionar su unidad de aire acondicionado

Su unidad de aire acondicionado Friedrich está equipada con un enchufe de tres patas (a tierra) para protegerle a usted contra los peligros de electrocutarse y debe ser conectado en un receptáculo de tres patas con una conexión a tierra adecuada. Si usted tiene un tomacorriente de dos entradas, necesita reemplazarlo con uno de tres entradas que esté de acuerdo con todos los códigos y regulaciones nacionales y locales. No quite la clavija de tierra del enchufe por ninguna razón. Usted tiene que emplear el enchufe de tres entradas que se suministra con el aire acondicionado

**NUNCA CORTE O RETIRE DEL ENCHUFE LA PATA DE CONEXIÓN A TIERRA.**

## Cable de alimentación

Todos los sistemas Friedrich de aire acondicionado para habitación se embarcan desde la fábrica con un cable de alimentación equipado con Interruptor de detección de fugas de corriente (LCDI). A partir de agosto del 2004 el dispositivo LCDI cumple con los requisitos del UL (Underwriter's Laboratory) y el NEC (Código Eléctrico Nacional) para los sistemas de aire acondicionado conectados por cable.

Para probar su cable de alimentación:

1. Enchufe el cable de alimentación de energía a una terminal de 3 patas conectada a tierra.
2. Oprima "RESET" (Figura 6).
3. Oprima "TEST" (se escucha un chasquido; el botón "Reset" se desengancha y salta).
4. Oprima y suelte el botón "RESET" (se escucha un chasquido; el botón "Reset" se engancha y mantiene dentro). El cable de alimentación está listo para el funcionamiento.

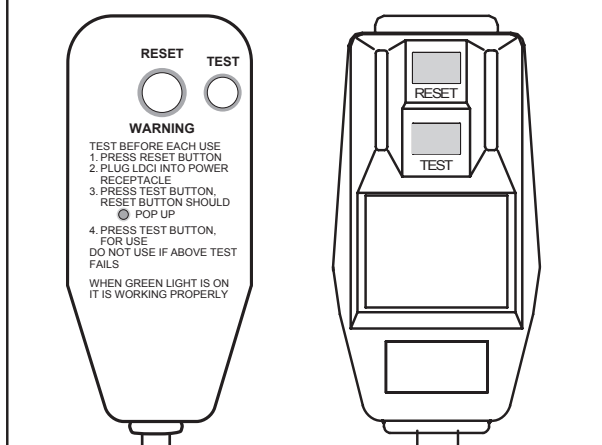
**NOTA:** El dispositivo LCDI no está destinado para utilizarse como interruptor.

Una vez enchufado en la unidad, el dispositivo LCDI funcionará normalmente sin necesidad de reajustes.

Si el dispositivo no se desengancha durante la prueba o si el cable de alimentación de energía está dañado deberá cambiarlo por otro cable de alimentación nuevo suministrado por el fabricante. Le recomendamos llamar a nuestra Línea de asistencia técnica al 1-800-541-6645 ext. 662. Para agilizar el servicio, tenga a la mano su modelo y número de serie.

**Figura A**

NOTA: Su aparato LCDI se parecerá a una de estas ilustraciones.



# Cómo utilizar el acondicionador de aire para habitaciones Friedrich

## Inspeccionar el producto antes de instalarlo.

Si el acondicionador de aire está instalado y conectado a un enchufe adecuado, ya está listo para funcionar. La primera vez que arranque la unidad, el compresor sufrirá un retardo de tres minutos. Consulte Protección automática de componentes en la siguiente página.

- 1 Pulse el botón Power una vez. La unidad estará en modo de frío (Cool) automáticamente, con una temperatura de 75 °F (24 °C) y la velocidad del ventilador en F1, la configuración nocturna.

## Para configurar el modo de funcionamiento

La primera vez que encienda la unidad, estará en modo de frío (Cool) con el ventilador a velocidad constante.

- 2 En los modelos de sólo frío WS, pulse el botón System una vez para activar MoneySaver®. (Sólo en modelos WS. Consulte el punto 14 si desea ver las instrucciones para el uso de la función MoneySaver en los modelos WY/WE.)

MoneySaver® acciona el ventilador con el compresor de forma cíclica para que aquél no esté siempre en marcha. Eso ahorra energía y mejora la deshumidificación. MoneySaver® también se pone en marcha para comprobar la temperatura si el ciclo de reposo es demasiado largo. O quizás prefiera que el ventilador funcione a velocidad constante para que el aire se mueva más. (Para ello, pulse el botón System otras dos veces.)

## Para que funcione sólo el ventilador, haga lo siguiente:

En los modelos de calor-frío WY/WS, pulse el botón System una vez para activar la función Fan Only. Esta opción hará circular el aire por la habitación sin accionar el compresor.

- 3 Si está en modo MoneySaver®, pulse el botón System una vez para activar la función Fan Only (en modelos de sólo frío WS).

## Para ajustar la temperatura

- 4 Use el botón System para elegir entre las modalidades de frío o ahorro de energía (o calor): seleccione Cool o MoneySaver® (o Heat en modelos de calor-frío WY/WE), respectivamente.
- 5 MÁS FRÍO (Cooler): Pulse el botón ✓ para bajar la temperatura del aire en la habitación.
- 6 MÁS CALOR (Warmer): Pulse el botón ▲ para subir la temperatura del aire en la habitación.
- 7 Pulse ambos botones ▲ y ✓ al mismo tiempo para cambiar la temperatura de Fahrenheit (°F) a Celsius (°C). Repita este paso para cambiar de °C a °F otra vez.

## Para ajustar la velocidad del ventilador

- 8 Pulse el botón Fan Speed para ver la opción actual. Vuelva a pulsarlo para cambiar la velocidad. F1 es la opción más baja (C. NOCTURNA/BAJA), F2 es MEDIA y F3 es ALTA.

## Para activar el ventilador inteligente (en modelos sólo frío WS)

- 9 Existe una cuarta opción, SF, al seleccionar la velocidad del ventilador. Es la función VENTILADOR INTELIGENTE. ÉSTA NO FUNCIONA CON EL MODO SÓLO VENTILADOR.

## Para activar el ventilador inteligente (en modelos calor-frío WY/WE)

- 9 Pulse el botón FAN SPEED (SF) para activar el ventilador inteligente. La luz indicará que esta función está en uso.

El ventilador inteligente ajustará la velocidad del ventilador de forma automática para mantener el nivel de confort deseado. Por ejemplo, si las puertas de la vivienda que dan al exterior permanecen abiertas durante un periodo de tiempo prolongado o más personas entran en una habitación, la función de ventilador inteligente puede elevar la velocidad del ventilador para compensar el aumento de calor. Esto le evita tener que ajustarla manualmente.

## Para configurar el reloj horario

- 10 Pulse el botón Set Hour para ver la configuración actual. El número que aparece es la hora aproximada (sólo la hora). Use los botones ▲ y ▼ para cambiar la configuración. ASEGÚRESE DE CONFIGURAR A.M. Y P.M. SEGÚN CORRESPONDA. (P.M. se indica mediante una luz roja en la esquina superior izquierda de la pantalla.)

## Para configurar el temporizador

**NOTA:** Configure el RELOJ HORARIO (Set Hour) antes de tratar de configurar las funciones del temporizador.

Puede configurar las horas de arranque (Start Time) y parada (Stop Time) con una separación de 1 hora como mínimo y 23 horas como máximo.

- 11 Tras configurar la hora, pulse el botón Set Hour una vez (luz de arranque encendida). Use los botones ▲ y ▼ para seleccionar la hora de ARRANQUE de la unidad.
- 12 Tras seleccionar la opción Start Time, pulse el botón Set Hour una vez (luz de parada encendida). Use los botones ▲ y ▼ para seleccionar la hora de PARADA de la unidad. Tras ello, pulse el botón Set Hour una vez.
- 13 Pulse el botón Timer On/Off (se encenderá la luz) para activar la función de temporizador. Para desactivarla, pulse otra vez el botón Timer On/Off (se apagará la luz). Una vez seleccionadas las horas de encendido/apagado, permanecerán en la memoria y se activarán de forma cíclica a diario hasta que se cambien.

**NOTA:** Si se desenchufa la unidad o se produce un corte de corriente, deberá restablecerse la HORA o Timer On/Off no funcionará bien.

## Para activar MoneySaver (modelos WY/WE)

- 14 Pulse el botón Money Saver para activar esta función. La luz indicará que esta función está en uso.

MoneySaver® acciona el ventilador con el compresor de forma cíclica para que aquél no esté siempre en marcha. Eso ahorra energía y mejora la deshumidificación. MoneySaver® también se pone en marcha para comprobar la temperatura si el ciclo de reposo es demasiado largo. O quizás prefiera que el ventilador funcione a velocidad constante para que el aire se mueva más. (Para ello, pulse el botón Mode otras dos veces.)



## Panel de control de la unidad

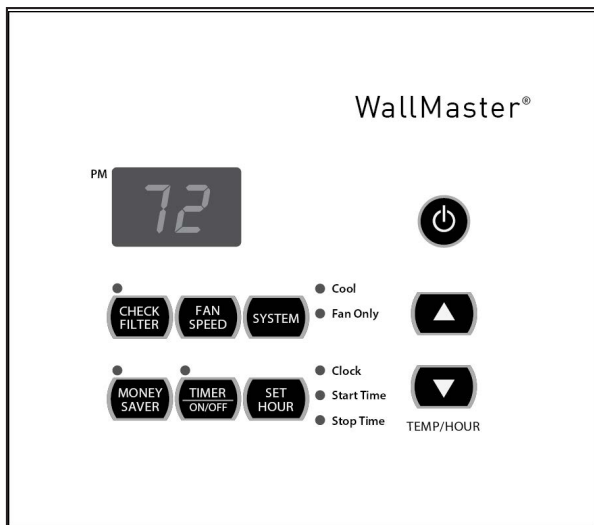


Figura 1: Panel de control del modelo sólo frío WS

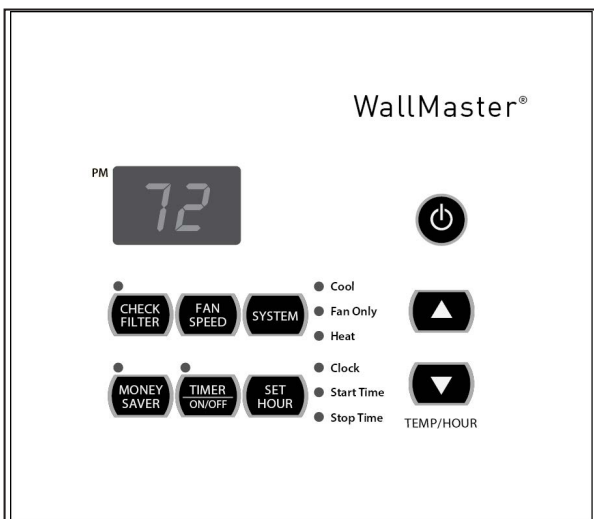


Figura 2: Panel de control del modelo calor-frío WY/WE

### Protección automática de los componentes

Su unidad viene con una protección automática de los componentes.

Para proteger el compresor de la unidad, se ha programado un tiempo de descanso de tres minutos si usted apaga la unidad o si se corta la energía. El ventilador no se afectará.

Cuando usted va de Cool (frío) a Fan Only (ventilación sin enfriamiento) y lo vuelve a cambiar a Cool (frío), se ha programado una demora de tres minutos antes de que el compresor se vuelva a prender. Esto sirve para protegerlo

## Uso del mando a distancia

### Para poner en marcha la unidad (vea Fig. 3 )

- 1 ENCENDIDO: Pulse el botón Power una vez. La unidad se pondrá en marcha de forma automática en el modo y con la velocidad de ventilador en que se usó por última vez.


### Para configurar el modo de funcionamiento

- 2 FRÍO: Pulse el botón Cool para que el modo de funcionamiento pase automáticamente a FRÍO.
- 3 SÓLO VENTILADOR: Pulse el botón Fan Only si desea utilizar sólo el ventilador.
- 4 CALOR (sólo modelos WY/WE): Pulse el botón Heat para que el modo de funcionamiento pase automáticamente a CALOR.
- 5 MoneySaver®: Pulse el botón Money Saver® para activar esta función. MoneySaver® acciona el ventilador con el compresor de forma cíclica para que aquél no esté siempre en marcha.

### Para ajustar la temperatura

- 6 MÁS CALOR: Pulse el botón Warmer para subir la temperatura del aire en la habitación.
- 7 MÁS FRÍO: Pulse el botón Cooler para bajar la temperatura del aire en la habitación.

### Para ajustar la velocidad del ventilador

- 8 VELOCIDAD DEL VENTILADOR: Pulse el botón Fan Speed para ver la opción actual. Vuelva a pulsarlo para cambiarla. 1 es la opción más baja (C. NOCTURNA/BAJA), 2 es MEDIA, 3 es ALTA y  es la función VENTILADOR INTELIGENTE.

### Para configurar el reloj horario

- 9 CONFIGURAR RELOJ HORARIO: Pulse el botón Set Hr. una vez para ver la configuración actual. Siga pulsándolo hasta llegar a la hora actual (sólo la hora). Los minutos no aparecen en la pantalla. Asegúrese de que la configuración A.M./P.M. es correcta.

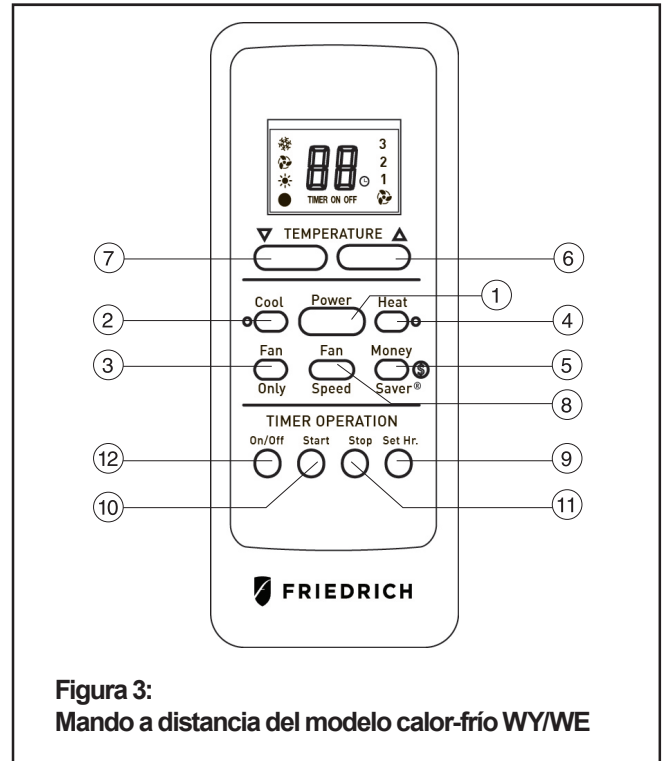
## Para configurar el temporizador

**NOTA:** Puede configurar las horas de ARRANQUE y PARADA con una separación de 1 hora como mínimo y 23 horas como máximo.

- 10 ARRANQUE DEL TEMPORIZADOR: Pulse Start para ver la hora de arranque de refrigeración actual. Siga pulsando el botón de ARRANQUE hasta llegar a la hora de arranque deseada. Ésa será la hora de arranque de refrigeración fijada.
- 11 PARADA DEL TEMPORIZADOR: Pulse Stop. Siga pulsando el botón de PARADA hasta llegar a la hora de parada deseada. Ésa será la hora de parada de refrigeración fijada.
- 12 ENCENDIDO/APAGADO DEL TEMPORIZADOR: Pulse el botón On/Off (situado debajo de Timer Operation) para activar (luz encendida) o desactivar (luz apagada) el temporizador. Una vez seleccionadas las horas de encendido/apagado, permanecerán en la memoria y se activarán de forma cíclica a diario hasta que se cambien.

**NOTA:** Si se desenchufa la unidad o se produce un corte de corriente, deberá restablecerse la función Set Hr. o Timer On/Off no funcionará bien.

Puede comprar mandos a distancia inalámbricos adicionales con su distribuidor Friedrich



**Figura 3:**  
Mando a distancia del modelo calor-frío WY/WE

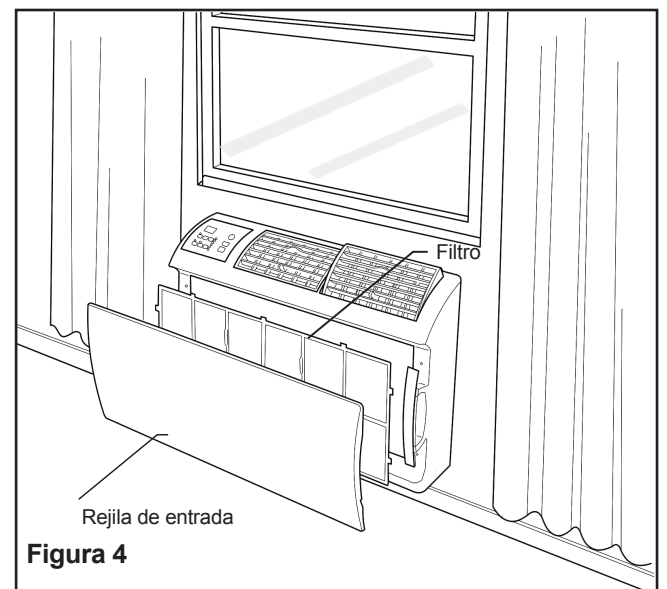
## Como limpiar el filtro

Su unidad de aire acondicionado para habitación de Friedrich está equipada con un filtro de aire de malla permanente/lavable. El filtro sirve para remover polvo, polen y cualquier otra impureza del aire.

**RECORDATORIO DE CAMBIO DEL FILTRO** - Su aire acondicionado está equipado con una luz recordatoria que se iluminará después de \*45-60 días de funcionamiento del ventilador.

Para restablecer el recordatorio de CAMBIO DE FILTRO pulse el botón CHECK FILTER. (Mientras que el recordatorio esta configurado para encenderse cada 45-60 días de operación, se recomienda cambiar el filtro cada 30 días para un obtener un rendimiento óptimo.)

El recordatorio esta establecido para tomar en cuenta 1000 horas de funcionamiento del ventilador.



**Figura 4**

**ACCESO AL FILTRO** - Remueva el PANEL FRONTAL, tomandola de las esquinas superiores izquierda y derecha. Tire hasta que salga de los broches de presión. Inclínela hacia usted, levántela y sáquela de los broches de presión inferiores. Esto dejará el filtro a la vista. Remuévalo tirando de él llevándolo hacia usted. Lávelo con agua caliente jabonosa, enjuáguelo, ajústelo un poco para sacarle el agua, sacúdalo pero no lo doble y póngalo de nuevo en la unidad, en los dos ganchos de soporte. Vuelva a colocar el PANEL FRONTAL colocando la base inferior de la misma sobre los broches de presión que la sostienen. Incline el frente hacia arriba, en el sentido opuesto a usted mismo. Presione un poco la parte superior y la cubierta quedará colocada en los broches de presión superiores.


## Requisitos eléctricos

**IMPORTANTE:** Antes de comenzar la instalación dicha del acondicionador de aire, consulte los códigos eléctricos locales y la siguiente información.

El acondicionador de aire debe estar conectado a una fuente de alimentación con idénticos valores nominales de tensión y frecuencia de corriente alterna que los indicados en la placa de características situada en el chasis. Sólo puede utilizarse corriente alterna (CA). Consulte la página 15 si desea ver el tipo de enchufe correcto para su modelo.

Un circuito sobrecargado ocasionará invariablemente la avería o el fallo del acondicionador de aire, por lo que resulta extremadamente importante que el suministro eléctrico y el cableado sean adecuados. En caso de duda, consulte a su distribuidor o compañía eléctrica.

**PROTECCIÓN PARA CIRCUITOS:** Antes de instalar o reubicar su acondicionador de aire Friedrich, verifique el amperaje nominal del cortacircuitos o fusible "RETARDADO". Consulte la placa de características ubicada en el chasis del acondicionador de aire para determinar el amperaje correcto del fusible o cortacircuitos para su modelo. El valor nominal NO DEBE superar el valor indicado en dicha placa. Si se conecta el acondicionador de aire a un circuito protegido con un fusible, debe utilizarse un fusible "RETARDADO" debido a las demandas momentáneas de alta corriente al poner en marcha el aparato.

<b>⚠ ADVERTENCIA</b>	
	<p><b>Peligro de choque eléctrico</b></p> <p>Desconecte la energía eléctrica antes de dar mantenimiento.</p> <p>Cambie todas las partes y paneles antes de operar.</p> <p>No hacerlo puede resultar en la muerte o un choque eléctrico.</p>

<b>⚠ ADVERTENCIA</b>	
	<p><b>Peligro de choque eléctrico</b></p> <p>Utilice la protección de circuitos correcta.</p> <p>No seguir estas instrucciones puede ocasionar la muerte, un incendio o un choque eléctrico.</p>

## Cosas que usted debe saber sobre su unidad de bombeo de calor (heat pump) WallMaster

Cuando la unidad de bombeo de calor (Heat Pump) esté en funcionamiento, usted puede notar algunas funciones que no tuvieron uso cuando la unidad estaba enfriando:

1. Es común que se forme hielo en el serpentín exterior de su unidad de bombeo de calor (Heat Pump) WallMaster. El hielo se forma debido a la humedad que tiene el aire exterior cuando pasa sobre la superficie fría (por debajo de cero grados C, (32 grados F). del serpentín.
2. Cuando el serpentín exterior forma hielo, su unidad de bombeo de calor (Heat Pump) iniciará automáticamente el proceso de descongelación. El compresor parará y el ventilador seguirá funcionando. El calor se iniciará para continuar calentando la habitación mientras el aire exterior descongela el serpentín al aire libre. Una vez que la descongelación es total, la unidad volverá automáticamente a la modalidad de bombeo de calor.
3. Es normal que salga vapor del serpentín al aire libre durante el proceso de descongelación. Esto se parece al vapor que se forma cuando uno exhala aire caliente por boca y nariz, en una mañana muy fría.
4. Si la temperatura exterior o la temperatura del serpentín baja de 43 grados Fahrenheit (6 grados C). Durante la operación de calefacción, su unidad de bombeo de calor (Heat Pump) WallMaster® cambiará automáticamente al calor de resistencia eléctrica y continuará operando en esa modalidad, hasta que la temperatura exterior se mantenga por debajo de 43 grados F (6 grados C).

# Consejos para solucionar problemas y mantenimiento en el hogar

## No enfría

Si su aire acondicionado funciona, pero no enfría; compruebe si los controles están debidamente ajustados. Espere tres minutos antes de cambiar el termostato a una posición de mayor enfriamiento. Revise el filtro y límpielo perfectamente de ser necesario. Compruebe si la compuerta de ventilación está cerrada. Compruebe si está instalada la junta de sello del chasis (ver página 22).

## No calienta (únicamente para los modelos de calefacción/enfriamiento)

Si la unidad funciona pero no calienta, determine si los controles están graduados correctamente. Cambie el termostato a una posición de más calefacción para verificar su funcionamiento. Además, revise el filtro y límpielo bien, de ser necesario.

## Olores procedentes de la unidad cuando esta calentado (únicamente para los modelos de calefacción/enfriamiento)

Usted puede notar un olor a humo la primera vez que se enciende el elemento del calentador. Esta situación es común en cualquier tipo de sistema de calefacción cuando se prende en el invierno. El olor proviene del polvo y otras partículas que se acumulan durante los meses de calor. Este olor desaparecerá rápidamente.

## No funciona

Si la unidad no funciona, revise el cordón de la energía para darse verificar que esté bien conectado. Revise también los fusibles, el interruptor de circuitos o el dispositivo LCDI (ver las instrucciones del LCDI); arréglole si es necesario o reemplace el fusible fundido (si lo hay) por otro de ACCION RETARDADA del tamaño adecuado. El tamaño adecuado de fusible se muestra en otra parte de estas instrucciones. Después de reestablecer la corriente a la unidad, espere tres minutos antes de volverla a poner a funcionar.

## Formación de escarcha en el serpentín interior

Ciertas condiciones operativas pueden producir la formación de escarcha en el serpentín interior. Durante la operación de enfriamiento, un filtro sucio o una distribución restringida del aire, combinados con un clima húmedo y frío, pueden hacer que esto ocurra. Si se produce la escarcha en el serpentín interior mientras enfría, ponga el control en FAN (ventilador) y manténgalo así hasta que la escarcha en el serpentín desaparezca. El graduar el termostato en una temperatura ligeramente más caliente ayudará a evitar que la escarcha se forme de nuevo.

## Para limpiar la cubierta decorativa frontal

La CUBIERTA DECORATIVA de su unidad de aire acondicionado Friedrich, lo mismo que la totalidad del gabinete, pueden limpiarse con agua tibia y un detergente suave. Bajo condiciones de funcionamiento adversas, el serpentín interior y exterior y la bandeja base pueden requerir limpiezas periódicas, con el fin de mantener una operación eficiente. Cuando se requiera este servicio usted deberá llamar a su distribuidor Friedrich.

# Instrucciones de instalación para la base de empotraje de la cubierta WSE (La Cubierta WSE se vende por separado)

**⚠ ADVERTENCIA**

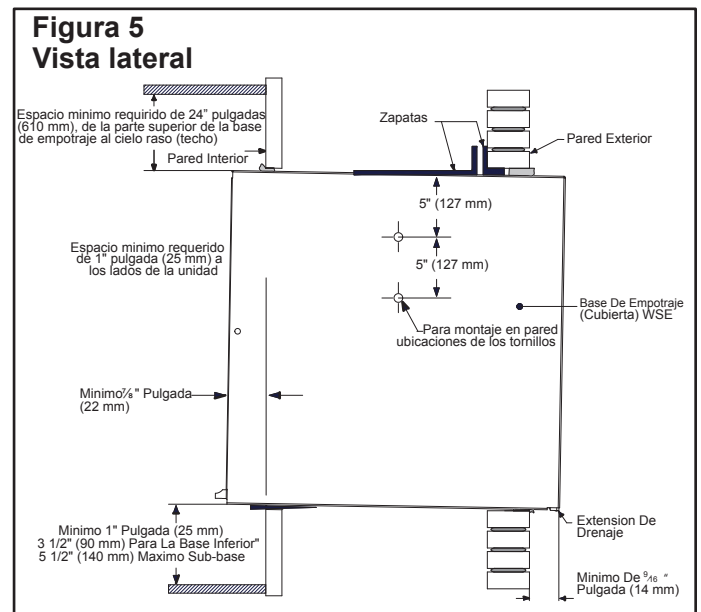
**Peligro de caída de objetos**  
No seguir las instrucciones de instalación para montar su aire acondicionado puede ocasionar daños a la propiedad, lesiones físicas o la muerte.

## Herramienta de montaje suministrada

ELEMENTO #	DESCRIPCION	CANTIDAD
1	TORNILLO #12A x 2" PULGADAS	7

## Preparación de la pared

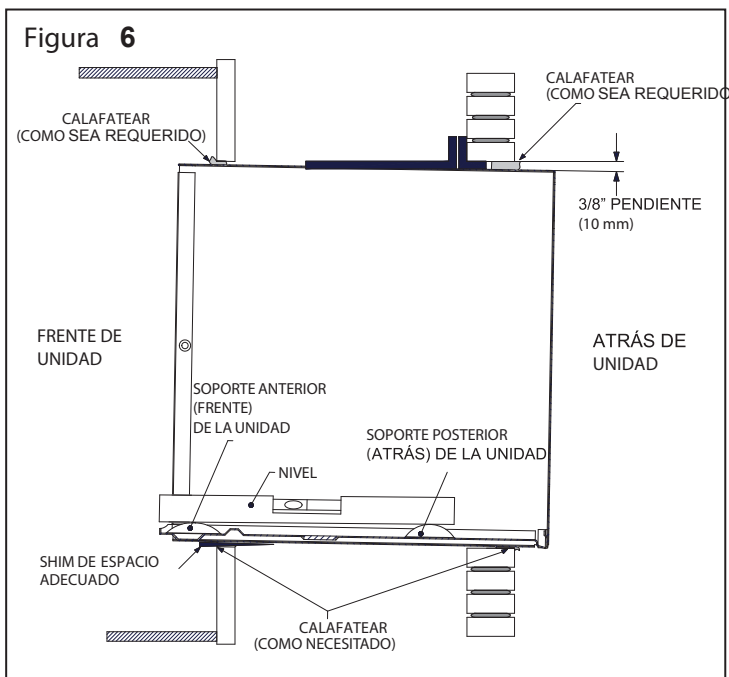
- PASO 1** La abertura necesaria para la BASE DE EMPOTRAJE WSE es de una altura de 17 ¼" pulgadas por 27 ¼" pulgadas de ancho (438 mm x 692 mm).
- PASO 2** Deben emplearse ZAPATAS (lintels) para sostener el material encima de la base de empotraje en aberturas de paredes enchapadas de ladrillo o de albañilería. También debe tenerse en cuenta lo siguiente:
- A. Debe emplearse la base inferior (SB) u otro tipo de apoyo para la unidad en construcción de paredes tipo panel y otras paredes de menos de 8" pulgadas (200 mm) de grueso.
  - B. Deje una distancia mínima de 1" pulgada (25 mm) en cada lado de la unidad, la pared y el piso adyacente. Donde se necesita una base inferior, la distancia mínima del piso a la base de empotraje será de 3 y ½" pulgada (90 mm). Para minimizar la posibilidad de corto circuito en el condensador, el espacio libre mínimo entre el cielo raso (techo) y la parte superior de la unidad debe ser de 24" pulgadas (610mm) (Ver Figura7).



## Requerimientos para la instalación

- PASO 1** La BASE DE EMPOTRAJE WSE se debe colocar de tal forma que LA EXTENSION PARA DRENAJE se extienda por lo menos 9/16" de pulgada más allá de la PARED EXTERIOR
- PASO 2** La BASE DE EMPOTRAJE WSE debe extenderse un mínimo de 7/8" de pulgada dentro de LA PARED INTERIOR.
- PASO 3** La BASE DE EMPOTRAJE WSE debe instalarse nivelada de lado a lado.
- PASO 4** La BASE DE EMPOTRAJE WSE también se debe instalar con un pequeño declive hacia la parte exterior de la edificación. Colocando un NIVEL de tal forma que se apoye en los SOPORTES ANTERIOR Y POSTERIOR, como es muestra en la Figura 8, se proporciona el declive requerido.

Nota: El funda se hace "a la medida" del frente de la pendiente hacia atrás. Coloque un nivel de carpintero en la parte frontal y la unidad de respaldo con el manguito colocado en el alféizar le dará la pendiente necesaria para el funcionamiento adecuado del chasis.



## AVISO

Se deben respetar las proyecciones de la BASE DE EMPOTRAJE y las precauciones de nivelación para evitar la entrada de agua en la habitación.

## Instalación de la base de empotrado

**PASO 1** Después de sacar de la caja la BASE DE EMPOTRAJE "WSE," remueva los paneles de temperatura interno y externo (guardelos en la cubierta de la unidad si es removida para mantenimiento o para almacenaje). Colóquela en el hueco de la pared siguiendo las instrucciones que se dan en los REQUERIMIENTOS PARA LA INSTALACION. Asegure la BASE DE EMPOTRAJE a la PARED INTERIOR colocando dos (2) tornillos #12Ax2" pulgadas a cada lado de la BASE DE EMPOTRAJE (Ver Figura 7). Ponga una cuña en la parte superior de la BASE DE EMPOTRAJE en la mitad de los dos lados. Ponga un tornillo #12Ax2" pulgadas en la parte superior de la BASE DE EMPOTRAJE cerca de la cuña. Ponga los tornillos en el interior de la BASE DE EMPOTRAJE. Si el hueco en la pared no está enmarcado con madera, use tornillos de base de ancla o tornillos molly (toggle), los cuales no se proporcionan.

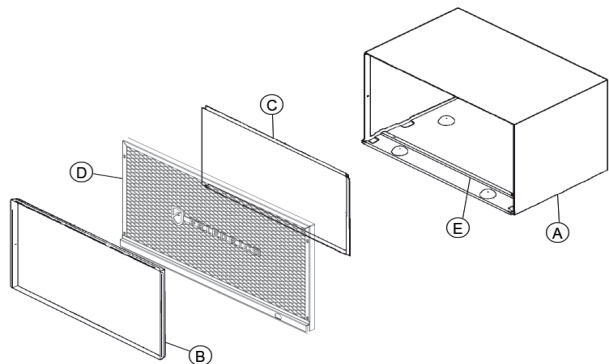
**PASO 2** Una vez la BASE DE EMPOTRAJE se ha instalado, revise el NIVEL de nuevo para asegurarse de que se ha mantenido el declive hacia afuera de media burbuja. Coloque unas cuñas, si son necesarias para mantener el declive requerido. Nota: Colocar (calzas) de ser necesario, debajo del chasis dentro del área frontal de la funda donde descansa la unidad, asegurándose de tener 1/2 burbuja de pendiente del frente hacia atrás.

**PASO 3** Rellene el total de la abertura en la parte interior y exterior, entre la BASE DE EMPOTRAJE y la PARED.

**PASO 4** El panel interior estriado que se quitó en el Paso 1 debe montarse en su lugar nuevamente si hay que hacer trabajo de albañilería y/o si el CHASIS "WSE" se va a instalar posteriormente.

## Cómo cubrir los orificios del panel protector interno

Se incluyen dos tapones beige en una bolsa de plástico pegada con cinta adhesiva al chasis WallMaster. Éstos pueden utilizarse para tapar los dos orificios que quedan tras retirar el panel protector interno. Los tapones deben colocarse antes de instalar el bastidor del FRONTAL DECORATIVO.



A	WSE	CUBIERTA
B	61603200	PANEL INTERIOR (METAL)
C	61603304	PANEL EXTERIOR ( metal pintado )
D	61603012	REJILLA DE ENSAMBLE
E	61578101	EMPAQUE (ATTACHED TO SLEEVE)

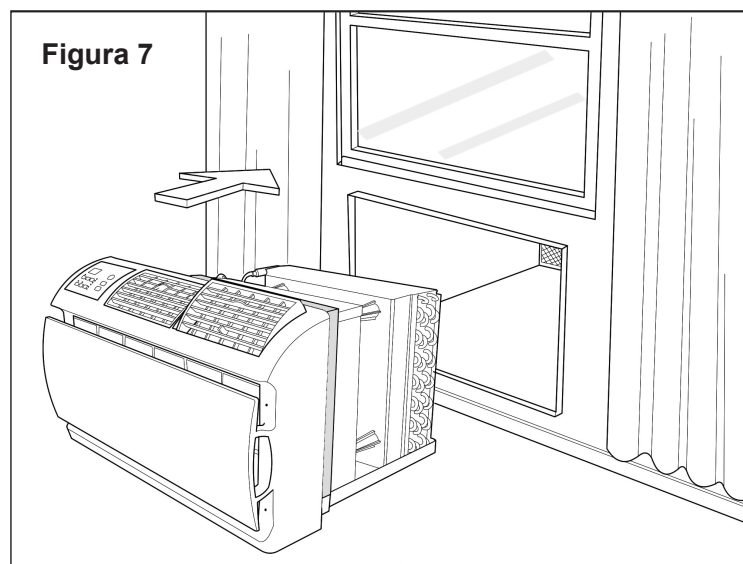
# Instrucciones de instalación del chasis WallMaster para los modelos WS, WE y WY

 <b>PRECAUCION</b>	
	<b>Peligro de peso excesivo</b>
	Pida la ayuda de dos o más personas al instalar su aire acondicionado. No hacerlo puede provocar lesiones en la espalda o en otras partes del cuerpo.

 <b>PRECAUCION</b>	
	<b>Riesgos de cortadas/amputaciones</b>
	Aunque se ha tenido mucho cuidado para minimizar los bordes filosos en la construcción de su unidad, utilice guantes u otro tipo de protección para las manos al manejar la unidad. No hacerlo puede ocasionar lesiones físicas de leves a moderadas.

- PASO 1 Compruebe la carcasa a fin de asegurarse de que se ha instalado correctamente en la pared. Retire el panel frontal ondulado de la CARCASA WSE. Retire el PANEL PROTECTOR trasero. Dé la vuelta a la rejilla. Coloque el borde inferior en la pestaña de la carcasa (con el logotipo de Friedrich mirando hacia fuera). Alinee las ranuras con los orificios para los tornillos y, por último, fije la rejilla con los tornillos.
- A. Compruebe los tornillos de anclaje. Debería haber (4) en la CARCASA WSE (dos a cada lado).
  - B. Determine si la carcasa posee un ángulo de inclinación descendente hacia el exterior de  $\frac{1}{2}$  burbuja de nivel. Si desea obtener más información, consulte la página 21.
  - C. Asegúrese de que todos los bordes de la carcasa se han sellado con masilla de tipo industrial tanto por fuera como por dentro, para impedir la entrada del agua de lluvia.
- PASO 2 Compruebe el enchufe para asegurarse de que cumple con los requisitos del modelo de chasis que se dispone a instalar. En la página 15 encontrará los requisitos del enchufe.
- PASO 3 Retire el chasis de la caja de envío . Levante el chasis de la bandeja base y deslícelo de la carcasa hasta que toque la rejilla trasera. ( Obtenga asistencia según sea necesario ) Empuje el chasis hasta el final en el manga, usando las asas delanteras de plástico , de modo que el panel frontal se encuentra con el borde frontal de la carcasa.

NOTA : chasis viene con junta de sellado pre - instalada.





## ADVERTENCIA



### Peligro de objetos en movimiento

Cambie todos los paneles antes de operar su aire acondicionado.

No hacerlo puede provocar lesiones.

## Drenaje de la condensación en los modelos WS, WE y WY

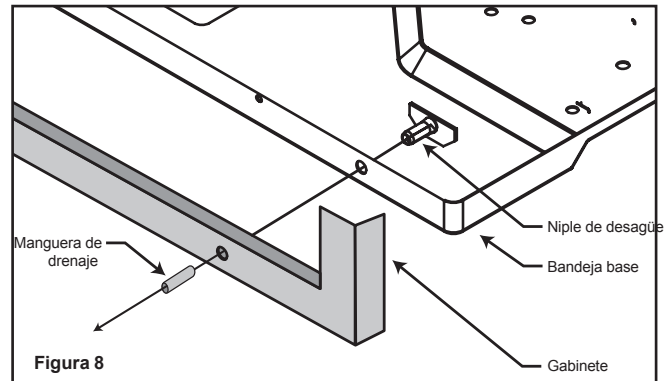
Si usted quiere drenar la condensación formada en la bandeja base mientras la unidad está en funcionamiento, utilice el tubo de drenaje que trae la unidad, el cual puede asegurarse a la bandeja base. Se debe suministrar un tubo de 3/8" diámetro exterior de plástico de pared delgada o de cobre que será fijado al chupón de desagüe.

Siga las instrucciones a continuación:

- PASO 1** Busque la placa para drenaje en la parte posterior de la bandeja base y quítela. (Ver Figura 10). Usando los ornillos de la placa, instale la arandela y el tubo de drenaje en la bandeja base.
- PASO 2** Quite la tapa removible del orificio knockout en la parte inferior derecha de la rejilla posterior. Deslice el chasis en la base de empotrado para la unidad WSE, de tal forma que el tubo de drenaje pase por el orificio knockout.
- PASO 3** Inserte la tubería dentro del chupón de desagüe.

Si el chasis tiene que ser removido de la base de empotrado para alguna reparación, retire la manguera antes de deslizar el chasis fuera de la base de empotrado

## Equipos opcionales para drenaje



### DK (Equipo de drenaje)

En los modelos WE y WY, en caso de que la temperatura exterior baje de 37 grados Fahrenheit (2.7 grados C), cualquier cantidad de agua que se encuentre todavía en la bandeja base del chasis es drenada a la bandeja de la base de empotrado, para prevenir que se congele. (ADVERTENCIA: En climas excesivamente húmedos, en la modalidad de enfriamiento de los modelos WS, WE y WY es posible que se produzca un derrame de exceso de condensación). Para estos casos especiales, hay disponible un equipo para drenaje opcional ("DK").

### IDK (Equipo para drenaje interior)

La construcción nueva para permitir a los sistemas de drenaje contruidos dentro de las paredes puede utilizar el equipo de drenaje interior Friedrich ("IDK"), diseñado para instalación en la parte inferior de la base de empotramiento, debajo de la válvula de desagüe tipo fuelle (en los modelos de calefacción y enfriamiento únicamente).



F R I E D R I C H

Friedrich Air Conditioning Co.  
10001 Reunion Place, Suite 500  
San Antonio, Tx 78216  
1-800-541-6645  
www.friedrich.com

## WALLMASTER® Garantía limitada para unidades de aire acondicionado de tipo ventana EL PRIMER AÑO

**TODAS LAS PARTES:** Si falla cualquier componente de FRIEDRICH por defecto de fabricación o de material en los primeros doce meses a partir de la fecha de compra, FRIEDRICH reparará el producto gratuitamente si el acceso a la unidad es razonable. El propietario será responsable de los gastos adicionales por la extracción de partes inaccesibles y gastos de viaje si el trayecto de ida de la compañía de reparaciones es superior a los 46 kilómetros. Éste es el único remedio explícitamente acordado para los primeros doce meses a partir de la fecha original de compra.

### DEL SEGUNDO AL QUINTO AÑO

**SISTEMA SELLADO DE REFRIGERACIÓN:** Si falla el sistema sellado de refrigeración (a estos efectos comprende el compresor, la bobina del condensador, la bobina del evaporador, la válvula de inversión, los capilares, el secador del filtro y todas las tuberías de conexión) suministrado por FRIEDRICH por defecto de fabricación o de material en el período de sesenta meses a partir de la fecha de compra, FRIEDRICH pagará una parte de los gastos de trabajo y los componentes necesarios para reparar el sistema. FRIEDRICH no se hace responsable de los gastos de diagnóstico, extracción, carga, transporte del lugar donde está instalado al centro de reparación, ni reinstalación de la unidad. Estos gastos son responsabilidad del propietario. Éste es el único remedio explícitamente acordado para los primeros sesenta meses a partir de la fecha original de compra.

**APLICABILIDAD Y RESTRICCIONES:** Estas garantías sólo tendrán vigencia mientras la unidad permanezca en los cincuenta estados de los Estados Unidos, el Distrito de Colombia y Canadá. La garantía excluye:

1. Filtros de aire o fusibles.
2. Productos sin el número de serie o modelo.
3. Productos defectuosos o dañados como resultado de la instalación incorrecta o el uso incorrecto de cables o corriente eléctrica, o mantenimiento inadecuado, o de accidentes, uso indebido o abuso, incendios, inundaciones, alteraciones o aplicaciones incorrectas del producto, y/o unidades instaladas en atmósferas corrosivas, fallos o retrasos de funcionamiento por casos de Guerra, restricciones de gobierno, huelgas, escasez de materiales fuera del control de FRIEDRICH, o actos de fuerza mayor.

**PARA OBTENER SERVICIOS BAJO GARANTÍA:** Recibirá servicio de la organización de servicio o el distribuidor autorizado por FRIEDRICH en su zona. Puede encontrar esta información en las páginas amarillas. Si necesita ayuda para obtener servicios bajo garantía, escriba a: Room Air Conditioner Service Manager, Friedrich Air Conditioning Co., 10001 Reunion Place, Ste. 500, San Antonio, TX 78216.

**LIMITACIONES: ESTA GARANTÍA SUPERSEDE TODAS LAS DEMÁS. LAS GARANTÍAS IMPLÍCITAS DE BUEN FUNCIONAMIENTO PARA PROPÓSITOS ESPECIALES Y/O MERCANCÍA SE LIMITAN A LA DURACIÓN DE ESTA GARANTÍA EXPLÍCITA. EL FABRICANTE RECHAZA EXPLÍCITAMENTE LA RESPONSABILIDAD DE LOS DAÑOS CONSECUENTES O ACCIDENTALES QUE SE PRODUZCAN POR EL INCUMPLIMIENTO DE CUALQUIER GARANTÍA EXPLÍCITA O IMPLÍCITA.**

**NOTA:** Algunos estados no tienen limitaciones sobre la duración de garantías implícitas ni permiten limitar o excluir los daños consecuentes o accidentales, por lo que es posible que estas exclusiones y limitaciones no le afecten a usted.

**INFORMACIÓN ADICIONAL:** Esta garantía le da a usted derechos legales específicos. Puede que usted tenga otros derechos adicionales que varían de un estado a otro.

**PRUEBA DE COMPRA:** El propietario debe presentar prueba de compra para recibir servicio de acuerdo con la garantía.

El consumidor es el único responsable de todas las llamadas de servicio para explicar el funcionamiento del producto.

Todos los servicios de garantía deben ser proporcionados por una compañía de reparaciones autorizada por FRIEDRICH, a menos que FRIEDRICH autorice las reparaciones con antelación.

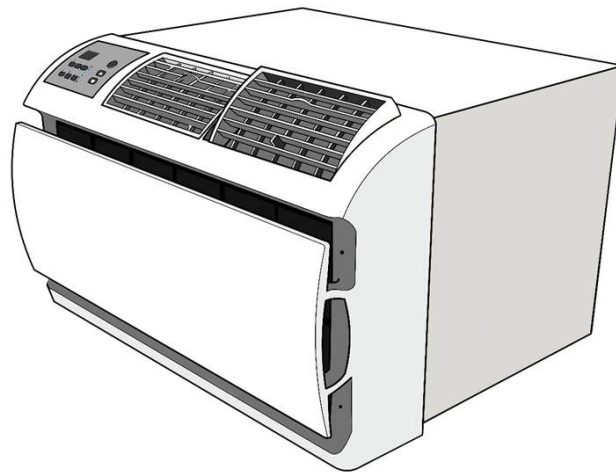


# Thru-the-wall

Climatiseurs et pompes à chaleur

**WallMaster**<sup>®</sup> 115-Volt: WS08, WS10, WS12  
230-Volt: WS10, WS12, WS15, WE10, WE12, WE15, WY09, WY12

## Manuel d'installation et de fonctionnement



ENGLISH

ESPAÑOL

FRANÇAIS

# Table des matières

## Introduction

Conseils d'économie .....	27
Données électriques .....	27
Votre sécurité et la sécurité des autres .....	27

## Opération

Comment faire fonctionner votre climatiseur individuel Friedrich .....	28
Pour mettre l'unité en marche .....	28
Réglage du mode de fonctionnement .....	28
Réglage de la température .....	28
Réglage de la vitesse du ventilateur .....	28
Pour activer SMART FAN .....	28
Réglage de l'horloge .....	29
Protection automatique des composants .....	29
Utilisation de la télécommande .....	29
Réglage de la minuterie .....	30
Comment nettoyer le filtre à air .....	30
Comment couvrir les trous du panneau isolant intérieur .....	31
Exigences électriques .....	31

## Directives pour l'installation du caisson WSE

Matériel nécessaire à l'installation .....	32
Préparation du mur .....	32
Exigences d'installation .....	33
Installation du caisson .....	33

## Directives d'installation du châssis WallMaster

Installation des modèles WS, WE et WY .....	34
Démontage du condensateur .....	35
Trousses de purge auxiliaires .....	35
Garantie .....	36

<b>THINK SAFETY FIRST</b>	<b>⚠ WARNING</b>	<b>⚠ AVERTISSEMENT</b>	<b>⚠ ADVERTENCIA</b>
	Do not remove, disable or bypass this unit's safety devices. Doing so may cause, fire, injuries or death.	Ne pas supprimer, désactiver ou contourner cette l'unité des dispositifs de sécurité. faire vous risqueriez de provoquer, le feu, les blessures ou la mort.	No eliminar, desactivar o pasar por alto los dispositivos de seguridad de la unidad. Si lo hace podría producirse fuego, lesiones o muerte.

# BIENVENUE à des années de confort économique

## Votre sécurité et la sécurité des autres sont très importantes

Nous délivrons ici de nombreux messages de sécurité importants dans ce manuel et sur votre appareil. Lisez toutes les instructions et suivez les toujours.



Ceci est un symbole d'alerte de sécurité. Ce symbole vous alerte de dangers potentiels qui peuvent conduire à la mort ou vous blesser vous et d'autres. Tous les messages de sécurité suivront le symbole d'alerte de sécurité avec le mot "AVERTISSEMENT" ou "ATTENTION". Ces mots signifient:

**AVERTISSEMENT**

Vous pouvez être tué ou gravement blessé si vous ne suivez pas les instructions.

**ATTENTION**

Vous pouvez être tué ou gravement blessé si vous ne suivez pas les instructions.

**NOTE**

Tous les messages de sécurité vous indiqueront qu'il y a un danger potentiel, et vous diront comment réduire le risque de blessure, ainsi que ce qui se passera si les instructions ne sont pas suivies.

## Données électriques

Modèle	Type de prise	Capacité du circuit du disjoncteur ou du fusible temporisateur
WS08, WS10, WS12	NEMA No. 5-15P	125V-15 AMP
WS10, WS12, WS15	NEMA No. 6-15P	250V-15 AMP
WE10, WE12, WE15, WY09, WY12	NEMA No. 6-20P	250V-20 AMP

## AVERTISSEMENT



### Danger d'électrochoc

Assurez-vous que votre prise électrique possède la même configuration que la prise de votre climatiseur. Si elle est différente, consultez un électricien qualifié.

N'utilisez pas d'adaptateur de prise.

N'utilisez pas de rallonge.

Ne retirez pas la fiche de terre.

Branchez toujours à une prise à 3 fiches avec mise à la terre.

Ne pas suivre ces instructions peut provoquer la mort, un incendie, ou un électrochoc.

## N'utilisez jamais de rallonge avec le climatiseur

Le climatiseur Friedrich est équipé d'un cordon avec une fiche à 3 broches (à la terre) pour vous protéger contre les électrocutions; il faut le brancher dans une prise à trois broches correctement mise à la terre. Si la prise n'a que deux broches, il faut la remplacer par une prise à trois broches avec mise à la terre, conformément à tous les règlements nationaux et locaux. En aucun cas vous ne devez enlever la broche de mise à terre de la prise. Il faut utiliser la fiche à trois broches fournie avec le climatiseur.

## N'ENLEVEZ OU NE COUPEZ JAMAIS LA BROCHE

## Le cordon d'alimentation

À leur sortie d'usine, tous les climatiseurs individuels Friedrich possèdent un cordon d'alimentation équipé d'un interrupteur détecteur de courant de fuite (LCDI). Cet interrupteur est conforme aux normes UL (Underwriter's Laboratory) et NEC (Code national de l'électricité), en vigueur depuis le mois d'août 2004, pour les cordons d'alimentation branchés à des climatiseurs.

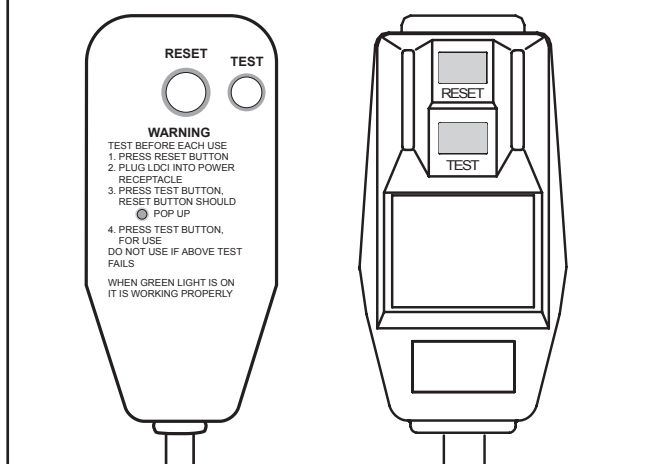
Pour tester votre cordon d'alimentation:

1. Branchez le cordon d'alimentation dans une prise à la terre de trois (3) broches.
2. Appuyez sur le bouton de redémarrage (RESET) (Figure 6).
3. Appuyez sur le bouton TEST (lorsque vous entendez un déclic, le bouton de redémarrage se déclenche et sort).
4. Appuyez et relâchez le bouton de redémarrage (RESET) (lorsque vous entendez un déclic, le bouton de redémarrage se verrouille et reste à l'intérieur). Le cordon d'alimentation est opérationnel.

**REMARQUE:** L'interrupteur détecteur de courant de fuite (LCDI) ne peut pas être utilisé comme commutateur.

Figure 6

**REMARQUE:** Votre appareil LCDI ressemblera à une de ces illustrations.



Une fois qu'il est branché, l'appareil fonctionnera normalement sans qu'il soit nécessaire de redémarrer l'interrupteur détecteur de courant de fuite (LCDI).

Si l'appareil ne se déclenche pas lorsqu'il est testé ou si le cordon d'alimentation est endommagé, il doit être remplacé par un nouvel exemplaire obtenu du fabricant. Nous vous recommandons d'appeler notre service d'assistance technique au 1-800-541-5645, poste 662. Afin d'accélérer le processus, Veuillez avoir à portée de main les numéros de modèle et de série.

# Comment faire fonctionner votre climatiseur individuel Friedrich

## Pour mettre l'appareil en marche

Si votre climatiseur est installé et branché dans une prise de courant appropriée, il est prêt à être utilisé. La première fois que l'appareil est mis en marche, le compresseur retardera le départ de trois minutes. Reportez-vous à Protection automatique des composants à la page suivante.

- 1 Appuyez une fois sur le bouton Power. L'unité sera automatiquement en mode Cool avec la température réglée à 24 °C (75 °F) et la vitesse du ventilateur à F1, le réglage de nuit.

## Pour régler le mode de fonctionnement

Lorsque vous mettez l'unité en marche pour la première fois, elle sera en mode Cool avec ventilateur continu.

- 2 Sur les modèles WS à refroidissement unique, Appuyez sur le bouton System une fois pour activer la fonction MoneySaver® (modèle WS seulement. Reportez-vous au numéro 14 pour connaître les directives MoneySaver des modèles WY/WE).

MoneySaver® est une fonction qui synchronise le ventilateur avec le compresseur de manière à ce que le ventilateur ne fonctionne pas continuellement. Cela économise de l'énergie et améliore la déshumidification. MoneySaver® procédera aussi à la vérification la température si le cycle d'arrêt est trop long. Ou encore, vous pouvez préférer que le ventilateur fonctionne constamment pour un plus grand mouvement de l'air. (Pour retourner au mode de ventilateur continu, appuyez sur le bouton Mode deux fois encore).

## Pour faire fonctionner le ventilateur par lui-même, procédez comme suit:

Sur les modèles WY/WS à refroidissement et chauffage, Appuyez sur le bouton System une fois pour activer la fonction Fan Only (ventilateur unique). Le réglage Fan Only fait circuler l'air dans la pièce sans activer le compresseur.

- 3 À partir du mode MoneySaver®, Appuyez sur le bouton System une fois pour activer la fonction Fan Only (sur les modèles WS à refroidissement seulement).

## Pour régler la température

- 4 Utilisez le bouton System pour sélectionner la fonction Cool ou MoneySaver® (ou Heat (chaleur) sur les modèles WY/WE à refroidissement et chauffage).
- 5 COOLER (PLUS FROID) - Appuyez sur le bouton ✓ pour abaisser la température de la pièce.
- 6 WARMER (PLUS CHAUD) - Appuyez sur le bouton ▲ pour augmenter la température de la pièce.
- 7 Appuyez sur les boutons ▲ et ▼ en même temps pour faire passer l'affichage de la température de Fahrenheit (°F) à Celsius (°C). Répétez l'étape 7 pour passer de °C à °F.

## Réglage de la vitesse du ventilateur

- 8 Appuyez sur le bouton Fan Speed pour voir le réglage actuel. Appuyez à nouveau sur le bouton pour changer la vitesse. F1 est le réglage le plus bas (RÉGLAGE DE NUIT / FAIBLE), F2 est une vitesse MOYENNE et F3 est une vitesse ÉLEVÉE.

## Pour activer SMART FAN (modèle WS à refroidissement unique)

- 9 Il existe une quatrième option, SF, lors de la sélection de la vitesse du ventilateur. Il s'agit de la fonction SMART FAN. SMART FAN NE FONCTIONNE PAS AVEC LE MODE DE VENTILATEUR UNIQUE.

## Pour activer SMART FAN (modèles WY/WE à refroidissement et chauffage)

- 9 Appuyez sur le bouton Smart Fan pour activer cette fonction. Le voyant indiquera que la fonction est utilisée.

Smart Fan réglera la vitesse du ventilateur automatiquement pour maintenir le niveau de confort désiré. Par exemple, si les portes extérieures de votre maison sont ouvertes pendant une période de temps prolongée ou d'autres personnes entrent dans une pièce, Smart Fan peut passer à une vitesse de ventilateur supérieure pour compenser l'augmentation de chaleur. Cela vous évite de devoir régler la vitesse du ventilateur vous-même.

## Réglage de l'horloge

- 10 Appuyez sur le bouton Set Hour (régler l'heure) pour voir le réglage actuel. Le chiffre affiché est l'heure approximative (heure seulement). Utilisez le bouton ▲ et le bouton ▼ pour modifier le réglage. ASSUREZ-VOUS DE RÉGLER A.M. ET P.M. CORRECTEMENT. (P.M. est indiqué par un voyant rouge dans le coin supérieur gauche de l'affichage).

## Réglage de la minuterie

**REMARQUE:** Réglez l'HORLOGE (Set Hour) avant de tenter de régler les fonctions de la minuterie.

Vous pouvez régler les heures de départ (Start Time) et d'arrêt (Stop Time) avec un écart minimum d'une heure entre elles et un écart maximum de 23 heures entre elles.

- 11 Après avoir réglé l'heure, appuyez sur le bouton Set Hour une fois (la lumière Start s'allume). Utilisez le bouton ▲ et le bouton ▼ pour sélectionner l'heure à laquelle l'unité se mettra en marche (START).
- 12 Après avoir sélectionné l'heure de départ (Start Time), appuyez sur le bouton Set Hour une fois. (La lumière d'arrêt s'allume.) Utilisez le bouton ▲ et le bouton ▼ pour sélectionner l'heure à laquelle l'unité s'arrêtera (STOP). Après avoir sélectionné l'heure d'arrêt, appuyez sur le bouton Set Hour une fois.
- 13 Appuyez sur le bouton Timer On/Off (la lumière s'allume) pour activer la fonction minuterie. Pour désactiver cette fonction, appuyez sur le bouton Timer On/Off encore une fois (la lumière s'éteint). Une fois les heures de mise en marche et d'arrêt choisies, elles demeureront en mémoire et se répéteront tous les jours jusqu'à ce qu'elles soient changées.

**REMARQUE:** Si l'unité est débranchée ou si le courant est interrompu, l'HEURE doit être réglée à nouveau sinon la minuterie Timer On/Off ne fonctionnera pas au moment désiré.

## Pour activer MoneySaver (modèles WY/WE)

- 14 Appuyez sur le bouton MoneySaver pour activer la fonction MoneySaver. Le voyant indiquera qu'elle est utilisée. MoneySaver® est une fonction qui synchronise le ventilateur avec le compresseur de manière à ce que le ventilateur ne fonctionne pas constamment. Cela économise de l'énergie et améliore la déshumidification. MoneySaver® fonctionnera aussi pour vérifier la température si le cycle d'arrêt est trop long. Ou encore, vous pouvez préférer que le ventilateur fonctionne constamment pour un plus grand mouvement de l'air. (Pour retourner au mode de ventilateur continu, appuyez sur le bouton Mode deux fois de plus).

## Panneau de commandes de l'appareil

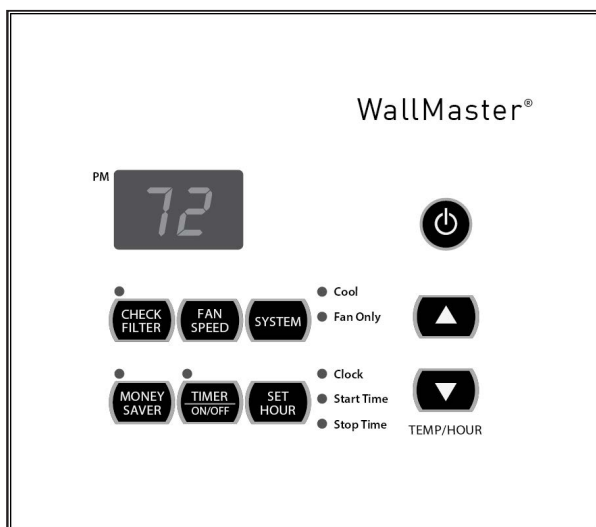


Figure 1 : Panneau de commande du modèle WS à refroidissement seulement

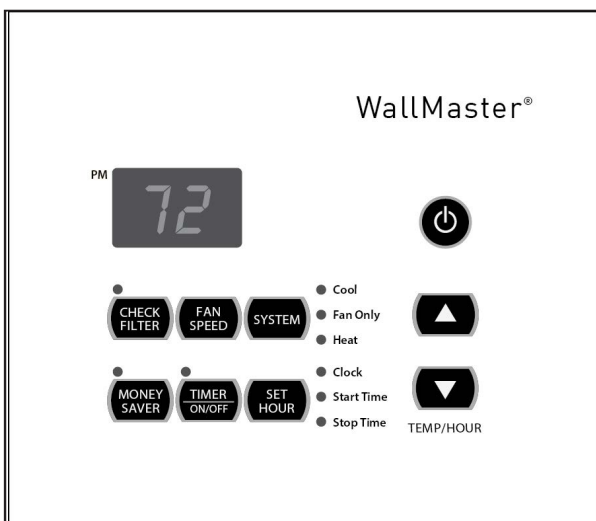


Figure 2 : Panneau de commande du modèle WY/WE à refroidissement et chauffage

### Protection automatique des composants

Cet appareil est équipé d'une Protection automatique des Composants.

Pour protéger le compresseur de l'appareil, un délai de trois minutes se produit si l'appareil est arrêté ou s'il y a une panne de courant. Le ventilateur n'est pas affecté.

Quand on passe de mode Cool (refroidissement) à Fan Only (ventilateur unique) avec un retour à Cool (froid), il se produit aussi un délai de trois minutes avant la remise en marche du compresseur.

## Utilisation de la télécommande

### Pour mettre l'unité en marche (voir figure 1)

- ① MISE EN MARCHÉ - appuyez sur le bouton Power une fois. L'unité se mettra automatiquement en marche dans le mode et à la vitesse de ventilateur choisis lorsqu'elle a été éteinte.


### Pour régler le mode de fonctionnement

- ② FROID - appuyez sur le bouton Cool pour passer automatiquement au mode de fonctionnement COOL.
- ③ VENTILATEUR UNIQUE - appuyez sur le bouton Fan Only si vous désirez faire fonctionner le ventilateur uniquement.
- ④ CHALEUR (modèles WY/WE seulement) - appuyez sur le bouton Heat pour passer automatiquement en mode fonctionnement HEAT.
- ⑤ MoneySaver® - appuyez sur le bouton MoneySaver® pour activer la fonction MoneySaver®. Cette fonction permet de synchroniser le ventilateur avec le compresseur de manière à ce que le ventilateur ne fonctionne pas constamment.

### Pour régler la température

- ⑥ PLUS CHAUD - appuyez sur le bouton ↗ Warmer pour augmenter le réglage de la température.
- ⑦ PLUS FROID - appuyez sur le bouton ↘ Cooler pour baisser le réglage de la température.

### Pour régler la vitesse du ventilateur

- ⑧ VITESSE DU VENTILATEUR - appuyez sur le bouton Fan Speed pour voir le réglage actuel. Appuyez à nouveau pour changer la vitesse du ventilateur. 1 est le réglage le plus bas (RÉGLAGE DE NUIT/BAS), 2 est MOYEN, 3 est ÉLEVÉ et  est le réglage SMART FAN.

### Pour régler l'horloge

- ⑨ RÉGLER L'HORLOGE - appuyez sur le bouton Set Hr. une fois pour voir le réglage actuel. Continuez à appuyer sur le bouton jusqu'à ce que vous arriviez à l'heure actuelle (heure seulement). Les minutes ne sont pas affichées à l'écran. Assurez-vous que le réglage A.M./P.M. est correct.

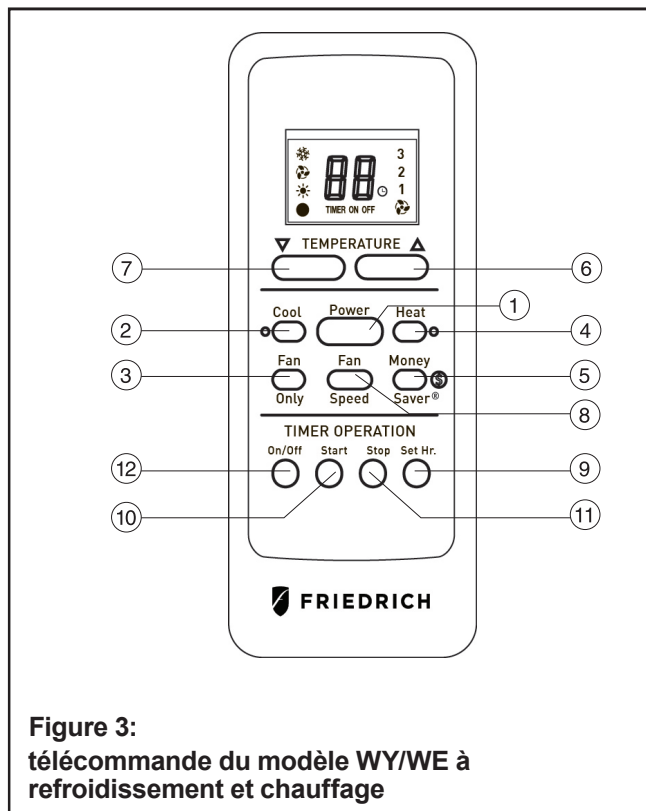
## Pour régler la minuterie

**REMARQUE:** Vous pouvez régler les heures de départ (START) et d'arrêt (STOP) avec un écart minimum d'une heure entre elles et un écart maximum de 23 heures entre elles.

- ⑩ DÉPART DE LA MINUTERIE - appuyez sur Start pour voir l'heure actuelle de mise en marche du climatiseur. Continuez à appuyer sur le bouton START jusqu'à ce que vous arriviez à l'heure de départ désirée. L'heure de départ du climatiseur sera alors réglée.
- ⑪ ARRÊT DE LA MINUTERIE - appuyez sur le bouton Stop. Continuez à appuyer sur le bouton STOP jusqu'à ce que vous arriviez à l'heure d'arrêt désirée. L'heure d'arrêt du climatiseur sera alors réglée.
- ⑫ MINUTERIE MARCHÉ / ARRÊT - Appuyez sur le bouton On/Off (sous Timer Operation) pour activer (la lumière s'allume) ou désactiver (la lumière s'éteint) la minuterie. Une fois les heures de mise en marche et d'arrêt choisies, elles demeureront en mémoire et se répéteront tous les jours jusqu'à ce qu'elles soient modifiées.

**REMARQUE:** Si l'unité est débranchée ou si le courant est interrompu, la fonction Set Hr. doit être réinitialisée, sinon la fonction Timer On/Off ne fonctionnera pas.

D'autres télécommandes sans fil RC1 peuvent être achetées chez votre concessionnaire Friedrich.



**Figure 3:**  
télécommande du modèle WY/WE à refroidissement et chauffage

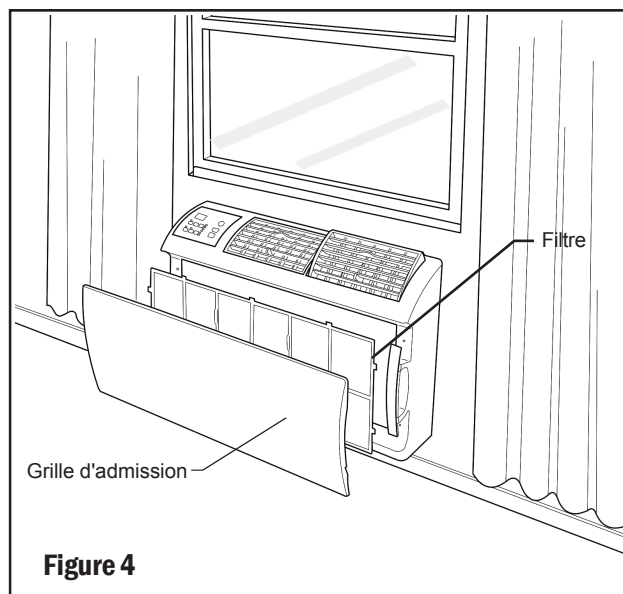
## Nettoyage du filtre

Le climatiseur Friedrich est équipé d'un filtre de type Permafoam réutilisable, avec un traitement germicide qui n'est pas affecté par le lavage. Le filtre est utilisé pour enlever la poussière, le pollen et les autres impuretés de l'air.

Vérifiez le voyant du filtre. - Un filtre sale ou bouché peut réduire l'efficacité de votre appareil et contribuer au gel du système de refroidissement.

Votre climatiseur Friedrich est équipé d'un voyant de vérification du filtre qui s'allumera après 1000h de fonctionnement du ventilateur.

Si le voyant du filtre s'allume, vous devez retirer votre filtre en suivant les instructions ci-dessous, puis laver le filtre. Une fois le filtre séché et nettoyé, réinstallez-le en continuant à suivre les instructions ci-dessous, et appuyez sur le bouton de vérification du filtre pour réinitialiser un nouveau cycle de 1000h de fonctionnement.



**Figure 4**

**ACCÈS AU FILTRE** - Pour enlever la grille d'admission du panneau avant, prendre la grille fermement aux coins supérieurs droit et gauche. Tirer jusqu'à ce que la grille soit libérée de encoches de fixation. L'incliner vers soi, la soulever et la sortir de encoches de fixation. Ceci expose le filtre à l'air. Tirer sur le filtre pour l'extraire. Laver le filtre dans de l'eau savonneuse très chaude, rincer, serrer légèrement pour enlever l'excès d'eau, secouer et sécher, ne pas tordre, et remettre en place dans les deux supports de l'appareil. Pour remettre la grille d'admission en place, mettre le bas de la grille dans les agrafes inférieures. Faire basculer le panneau avant vers le haut, vers l'appareil. Appuyer légèrement sur le haut et la grille se met automatiquement en position dans les encoches supérieures.

## Exigences électriques

**IMPORTANT:** Avant de commencer l'installation de votre climatiseur, vérifiez les codes électriques locaux et les renseignements ci-dessous.

Votre climatiseur doit être relié à une source d'alimentation ayant la même tension en c.a. et la même capacité en hertz que celles indiquées sur la plaque d'identification de l'unité située sur le châssis. Seul le courant alternatif (c.a.) peut être utilisé. Consultez les pages 3 et 7 pour connaître le bon type de prise de courant de votre modèle.

Un circuit surchargé provoquera invariablement des défaillances ou des pannes du climatiseur; par conséquent, il est extrêmement important que la puissance électrique et le câblage soient adéquats. Consultez votre concessionnaire ou la compagnie d'électricité en cas de doute.

**PROTECTION DU CIRCUIT** - Avant d'installer ou de repositionner votre climatiseur individuel Friedrich, vérifiez l'intensité du disjoncteur ou du fusible à fusion lente. Reportez-vous à la plaque d'identification située sur le châssis du climatiseur pour déterminer la bonne intensité de fusible ou de disjoncteur de votre modèle. L'intensité NE DOIT PAS dépasser la valeur indiquée sur la plaque d'identification. Si le climatiseur est relié à un circuit protégé par un fusible, un fusible à fusion lente doit être utilisé à cause des demandes de courant élevées momentanées lors de la mise en marche du climatiseur.

<b>⚠ AVERTISSEMENT</b>	
	<p><b>Danger D'électrochoc</b></p> <p>Déconnectez l'alimentation avant intervention.</p> <p>Remettez tous les composants et panneaux avant la mise en route.</p> <p>Ne pas faire cela peut provoquer la mort ou un électrochoc.</p>

<b>⚠ AVERTISSEMENT</b>	
	<p><b>Danger D'électrochoc</b></p> <p>Utilisez une protection de circuit.</p> <p>Ne pas suivre ces instructions peut provoquer la mort, un incendie, ou un électrochoc.</p>

## Informations à connaître concernant les pompes à chaleur

Pendant le fonctionnement de la pompe à chaleur, il est possible de remarquer des faits qui ne se produisaient pas pendant le refroidissement.

1. Il est normal d'avoir une accumulation de givre sur le serpentin extérieur de la pompe de chaleur WallMaster. Le givre est formé par le passage de l'air extérieur humide sur les surfaces froides (température inférieure à 0°C, 32 °F).
2. La pompe à chaleur lance automatiquement un cycle de dégivrage quand il y a formation de givre sur le serpentin extérieur. Le compresseur s'arrête et le ventilateur continue à fonctionner. La résistance électrique est mise en marche pour continuer à chauffer la pièce pendant que l'air extérieur dégivre le serpentin extérieur. Après le dégivrage, l'appareil se remet automatiquement en mode de pompe à chaleur.
3. Il est normal d'avoir de la vapeur qui s'élève du serpentin extérieur pendant le dégivrage. Ceci est similaire à une haleine visible par temps froid.
4. Si la température extérieure ou la température du serpentin est inférieure à 43 °F (9 °C) pendant le cycle de chauffage, la pompe à chaleur WallMaster® passe automatiquement au chauffage par résistance électrique et continue sur ce mode tant que la température extérieure reste inférieure à 43 °F (9 °C).

# Guide de dépannage et maintenance

## Pas de refroidissement

Si votre climatiseur fonctionne, mais qu'il ne refroidit pas, vérifiez si les commandes sont bien ajustées. Attendez trois minutes avant de régler le thermostat à une température plus basse afin de vérifier le réglage. Vérifiez le filtre et nettoyez-le avec attention si cela est nécessaire. Vérifiez que la porte d'aération est fermée. Vérifiez que le joint d'étanchéité du châssis est installé (voir page 14 pour l'installation du châssis).

## Pas de chauffage (seulement pour les modèles avec chauffage et refroidissement)

Si l'appareil fonctionne, mais ne chauffe pas, déterminer si les commandes sont réglées correctement. Régler le thermostat à la température la plus élevée pour déterminer s'il fonctionne. Inspecter aussi le filtre et le nettoyer soigneusement, si nécessaire.

## Odeurs de chauffage (seulement pour les modèles avec chauffage et refroidissement)

Il est possible de sentir une odeur de fumée la première fois que le chauffage se met en marche. Ceci est courant pour n'importe quel système de chauffage pour une première utilisation au début de l'hiver. L'odeur est causée par la combustion de la poussière et d'autres particules accumulées pendant les mois chauds. L'odeur se dissipe rapidement.

## L'appareil ne fonctionne pas

Si l'appareil ne fonctionne pas, vérifiez que le cordon d'alimentation est branché correctement. Vérifiez si le fusible est grillé, le disjoncteur déclenché ou le détecteur de courant de fuite (LCDI) déclenché (voir page 39 pour les instructions au LCDI). Remettez le disjoncteur à l'état initial ou remplacez le fusible grillé par un fusible temporisé de la bonne capacité. La capacité du fusible est indiquée dans ces instructions. Après avoir remis l'appareil sous tension, attendez trois minutes avant de le mettre en marche.

## Givre sur le serpentin interne

Certaines conditions de fonctionnement peuvent produire du givre sur le serpentin interne. Pendant le refroidissement, un filtre sale ou un débit d'air limité en combinaison avec un temps frais et humide peut causer un tel problème. Si le serpentin interne se recouvre de givre pendant le refroidissement, mettez la commande sur FAN (VENTILATEUR) et laissez le ventilateur fonctionner jusqu'à ce que le givre soit complètement éliminé. Le réglage du thermostat à une température légèrement plus élevée évite généralement le retour du givre.

## Nettoyage du panneau avant décoratif

Il est possible de nettoyer le panneau avant du climatiseur Friedrich, ainsi que le boîtier tout entier, avec de l'eau chaude et un détergent doux. En cas de conditions de fonctionnement difficiles, il peut être nécessaire de nettoyer régulièrement le serpentin interne, le serpentin externe et le plateau pour maintenir le bon rendement de l'appareil. Ce nettoyage doit être fait par un distributeur Friedrich.

# Instructions d'installation pour l'enveloppe WSE

⚠ AVERTISSEMENT	
	<b>Danger de Chute d'objet</b> Ne pas suivre les instructions d'installation pour le montage de votre climatiseur peut provoquer des dégâts corporels, des blessures, ou la mort.

## Matériel fourni pour le montage

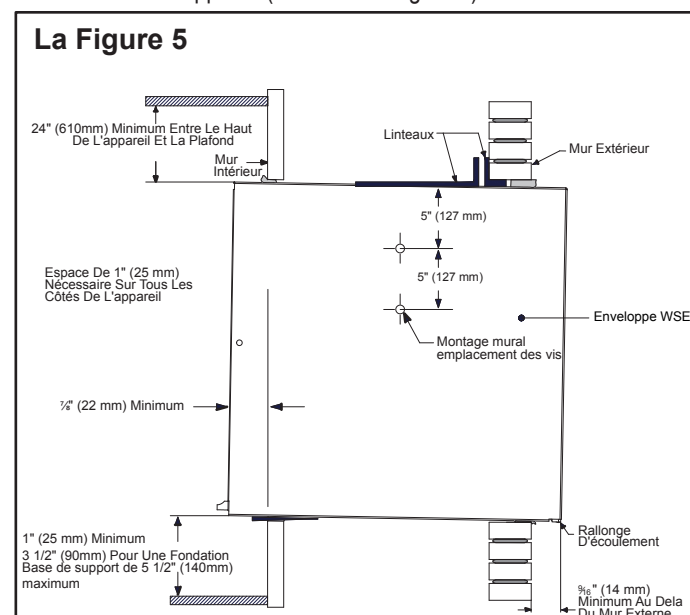
N° DE RÉF	DESCRIPTION	QUANT
1	VIS, N° 12A X 2"	7

## Préparation de mur

ETAPE 1 Pour une enveloppe WSE, l'ouverture du mur doit mesurer 17 1/4" de haut par 27 1/4" de large (438 mm x 692 mm).

ETAPE 2 Il faut utiliser des linteaux dans les ouvertures de murs à parement de brique ou de maçonnerie pour supporter les matériaux au-dessus de l'enveloppe WSE. Il faut toujours considérer les éléments suivants.

- A. Il faut avoir une fondation SB ou un équivalent pour une construction à panneaux façade ou pour des murs d'épaisseur inférieure à 8" (200 mm).
- B. Il faut allouer une distance de 1" (25 mm) sur tous les côtés entre l'appareil et le mur ou le sol. Quand une fondation est utilisée, il faut une distance minimum de 3 1/2" (90 mm) entre le sol et l'enveloppe. Pour minimiser les risques de cycles courts du compresseur, il faut avoir une distance d'au moins 24" (610 mm) entre le plafond et le haut de l'appareil (consulter la Figure 5).





## Besoins lors de l'installation

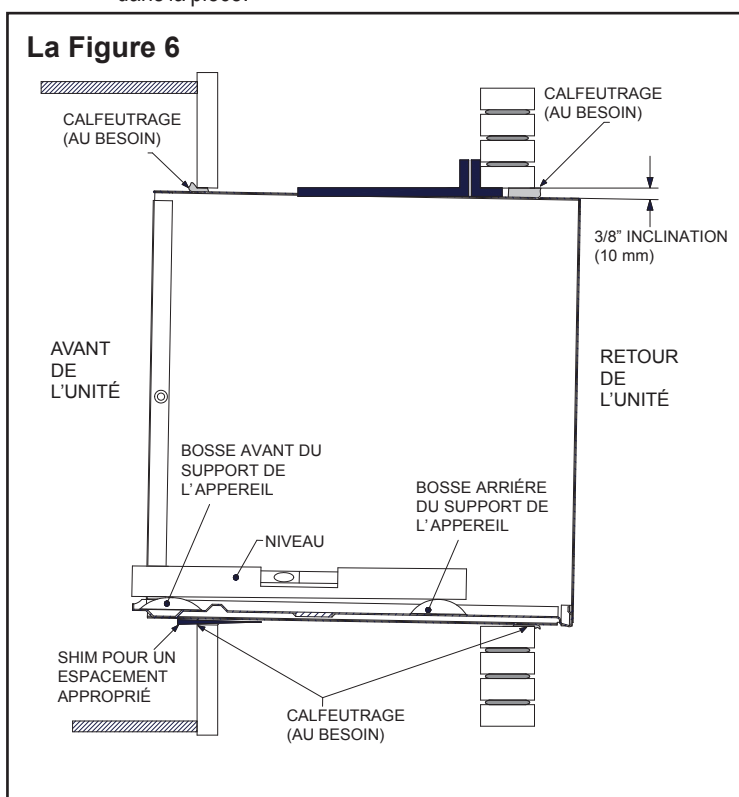
ÉTAPE 1 L'enveloppe WSE doit être mise en place de façon que la rallonge d'évacuation s'étende d'au moins 9/16" (1,5 mm) au-delà du mur externe (Figure 5)

ÉTAPE 2 L'enveloppe WSE doit s'étendre d' au moins 7/8" (2 cm) au- delà du mur interne.

ÉTAPE 3 L'enveloppe WSE doit être nivelée latéralement.

ÉTAPE 4 Il faut installer l'enveloppe WSE avec une légère pente vers l'extérieur du bâtiment. Mettre le niveau pour qu' il repose sur les bosses avant et arrière du support de l' appareil, comme montré sur la Figure 6. La pente ne doit pas dépasser une demi-bulle.

ATTENTION -Observer les projections de l'enveloppe et les de nivellement pour empêcher l'entrée de l'eau dans la pièce.



## AVIS

Observer les projections de l'enveloppe et les précautions de nivellement pour empêcher l'entrée de l'eau dans la pièce.

## Installation de l'enveloppe

ÉTAPE 1 Après avoir déballé l'enveloppe WSE du carton, enlever le panneau avant ondulé. Mettre l'enveloppe WSE dans l'ouverture en suivant les instructions fournies dans Paramètres d'installation. Attacher l'enveloppe sur l'intérieur du mur avec deux vis n° 12A x 2" de chaque côté de l'enveloppe (Figure 5). Mettre des cales en haut de l'enveloppe, au milieu. Visser une vis n° 12A x 2 en haut de l'enveloppe, près des cales. Installer les vis de l'intérieur de l'enveloppe. Si l'ouverture n'a pas de cadre en bois, utiliser des boulons à coquille d'expansion ou des boulons à ailettes (pas fournis).

**Veillez noter qu'il restera deux vis n° 12A supplémentaires non utilisées.**

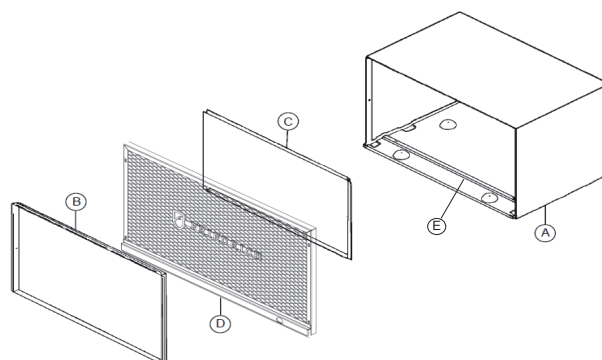
ÉTAPE 2 Après avoir installé l'enveloppe, vérifier de nouveau le niveau pour vous assurer que la pente d'une demi-bulle vers l'extérieur a été maintenue.

ÉTAPE 3 Mettre du mastic tout autour de l'ouverture, à l'intérieur et à l'extérieur, entre l'enveloppe et le mur.

ÉTAPE 4 S'il faut faire de la maçonnerie ou si le châssis WSE est installé à une date ultérieure, remettre en place le panneau avant ondulé enlevé à l'étape 1.

## Comment couvrir les trous du panneau isolant intérieur


Deux bouchons beiges sont compris dans le sac en plastique collé au châssis du WallMaster avec du ruban. Ces bouchons peuvent être utilisés pour couvrir les deux trous restant après avoir enlevé le panneau isolant intérieur. Les bouchons doivent être fixés avant d'installer le cadre DÉCORATIF AVANT.



A	WSE	SLEEVE
B	61603200	INNER WEATHER PANEL (METAL)
C	61603304	OUTDOOR WEATHER PANEL (PAINTED METAL)
D	61603012	ASSY GRILLE WSE SLEEVE
E	61578101	GASKET (ATTACHED TO SLEEVE)

# Directives d'installation du châssis WallMaster pour les modèles WS, WE et WY

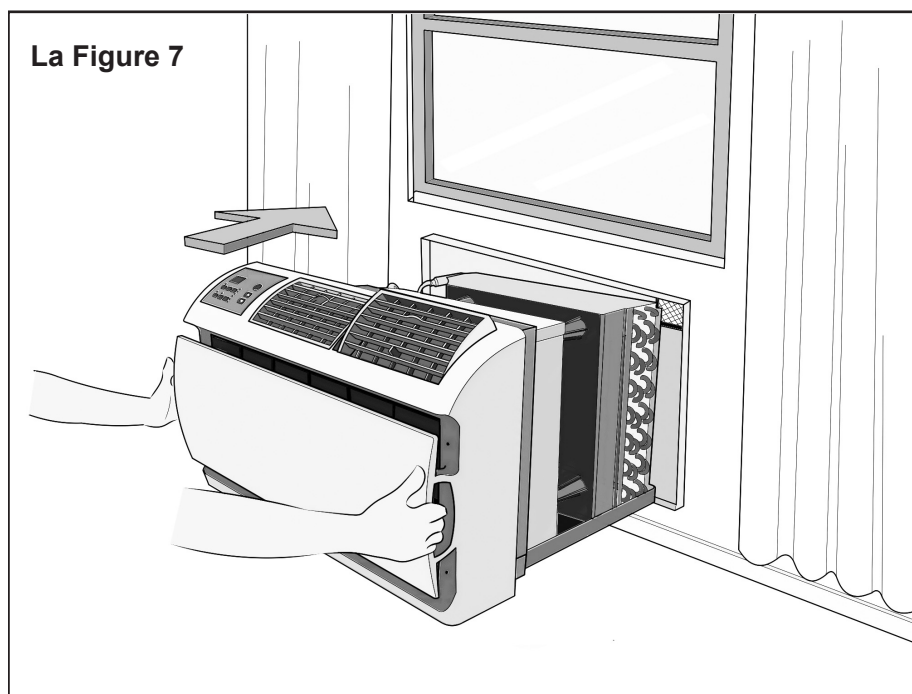
 <b>ATTENTION</b>	
	<b>Danger concernant un poids excessif</b>
	Faites-vous aider par quelqu'un lors de l'installation de votre climatiseur. Autrement vous risqueriez d'occasionner des blessures.


 <b>ATTENTION</b>	
	<b>Coupure/Entaille</b>
	Bien qu'un grand soin ait été apporté à la protection des bords tranchants, utilisez des gants ou autres protections solides.  Ne pas faire cela pourrait entraîner des blessures.

- ÉTAPE 1 Vérifiez le caisson pour vous assurer qu'il est correctement installé dans le mur. Retirez le panneau avant ondulé du CAISSON WSE. Retirez le PANNEAU DE PROTECTION arrière. Inversez la grille. Placez le rebord inférieur dans l'onglet du caisson (le logo Friedrich orienté vers l'extérieur). Alignez les fentes avec les trous de vis. Fixez la grille avec les vis.
- A. Vérifiez les vis d'ancrage. Il devrait y en avoir quatre (4) dans le CAISSON WSE (deux de chaque côté).
  - B. Déterminez si le caisson est incliné vers le bas vers l'extérieur, de la moitié d'une bulle sur un niveau. Reportez-vous à la page 10 pour de plus amples renseignements.
  - C. Assurez-vous que le caisson a été scellé autour des rebords au moyen d'un produit de calfeutrage de type industriel à l'extérieur et à l'intérieur pour empêcher la pluie d'entrer.
  - D. Un joint d'étanchéité de coffret est fourni dans le carton d'expédition du châssis. Le sortir du carton, enlever la feuille de protection de la surface adhésive et l'installer dans le coffret (adhésif vers le bas).

ÉTAPE 2 Vérifiez la prise électrique pour s'assurer qu'elle est conforme aux exigences du modèle de châssis à installer. Reportez-vous aux pages 2 et 5 pour connaître les exigences de la prise.

ÉTAPE 3 Retirez le châssis du carton d'expédition. Soulevez-le par la base du châssis et faites-le glisser en face du manchon. (Obtenir une assistance si nécessaire) Poussez le châssis entièrement dans le manchon en utilisant les poignées avant en plastique de manière à ce que le panneau avant rencontre le bord avant de la coque.



<b>ATTENTION</b>	
	<p><b>Danger lors du déplacement</b></p> <p>Remettez tous les panneaux avant de faire fonctionner votre climatiseur. Ne pas faire cela peut provoquer des blessures.</p>

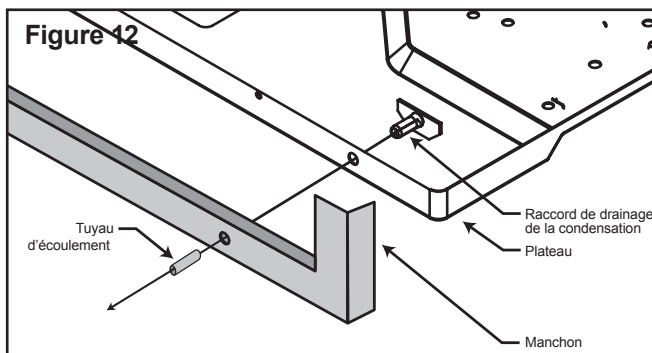
## Élimination de la condensation (modèles WS, WE et WY)

Cet appareil est fourni avec un raccord de vidange qu'il est possible d'installer sur le plateau pour permettre l'élimination de la condensation du plateau. Vous devez avoir un tuyau de 3/8" de diamètre en plastique mince ou en cuivre pour l'attacher au raccord de drainage de la condensation. Suivre les instructions suivantes.

- ÉTAPE 1** Enlever la plaque de vidange à l'arrière du plateau (consulter la Figure 10). Avec les vis de la plaque, installer le joint et le raccord de vidange sur le plateau.
- ÉTAPE 2** Enlever la pièce amovible sur le côté droit inférieur de la grille arrière. Glisser le châssis dans le coffret WSE pour que le raccord de vidange passe dans le trou de la pièce amovible.
- ÉTAPE 3** Mettez le tuyau dans le raccord de drainage de la condensation.

Il faut enlever le tuyau avant de sortir le châssis du coffret pour faire des réparations.

## Autre kits de vidange



### DK (kit de vidange)

Quand la température ambiante tombe au-dessous de 37 °F (3 ° C), l'eau restant dans le bassin du plateau est vidée dans le plateau du coffret des modèles WE et WY pour éviter le gel. (REMARQUE - Il est possible d'avoir un débordement quand les modèles WS, WE et WY sont utilisés en mode de refroidissement dans des climats très humides). Pour ces cas particuliers, un kit de vidange en option (accessoire n° DK) est offert pour éliminer l'eau.

### IDK (kit de vidange intérieur)

Les nouvelles constructions permettant l'installation de systèmes de purge de condensation dans les murs peuvent utiliser le kit de vidange intérieur de Friedrich (accessoires n° IDK) développé pour installation au bas du coffret, la condensation sous la valve (modèles avec chauffage et refroidissement seulement).



**F R I E D R I C H**

**Friedrich Air Conditioning Co.**

10001 Reunion Place, Suite 500

San Antonio, Tx 78216

1-800-541-6645

www.friedrich.com

# Garantie limitée – Climatiseurs WallMaster THRU-THE-WALL Friedrich

## PREMIÈRE ANNÉE

**TOUTES LES PIÈCES** - Si, dans les 12 mois suivant la date d'achat initial, une pièce fournie par FRIEDRICH est défectueuse en raison d'un défaut de main d'oeuvre ou de matériel, FRIEDRICH réparera le produit gratuitement, pourvu qu'il soit raisonnablement facile d'obtenir accès au climatiseur pour le réparer. Toute main d'oeuvre nécessaire pour déposer des appareils d'accès difficile et/ou les frais de déplacement (kilométrage) par le centre de réparation, au delà de 25 miles (40km) dans un sens seulement, sont soumis à la responsabilité du propriétaire. Ce recours est expressément accepté comme le seul recours dans les 12 mois suivant la date d'achat initial.

## DEUXIÈME À CINQUIÈME ANNÉE

**SYSTEME DE RÉFRIGÉRATION ÉTANCHE** - Si le système de réfrigération étanche (dans le cadre de cette garantie, défini comme le compresseur, le serpentin de condenseur, le serpentin d'évaporateur, la vanne d'inversion, le clapet de non-retour, le tube capillaire, le filtre-déshydrateur et tous leurs tubes de raccordement) faisant partie du climatiseur FRIEDRICH sont défectueux en raison d'un défaut de main d'oeuvre ou de matériau dans les 60 mois à compter de la date d'achat initiale, FRIEDRICH paiera une allocation pour les frais de main d'oeuvre et les pièces nécessaires pour réparer le système de réfrigération étanche. FRIEDRICH ne paiera pas les frais de diagnostic du problème, de retrait, de transport du climatiseur jusqu'au centre de réparation et de retour ni les frais de repose associés à la réparation du système de réfrigération étanche. Tous ces frais sont à la charge du propriétaire. Ce recours est expressément accepté comme le seul recours dans les 60 mois suivant la date d'achat initiale.

**CONDITIONS D'APPLICATION ET LIMITATIONS** - Cette garantie s'applique à tous les appareils vendus au détail aux États-Unis, dans le District de Columbia et au Canada. Cette garantie ne s'applique pas:

1. aux filtres à air ni aux fusibles ;
2. aux produits dont le numéro de modèle et le numéro de série ont été enlevés ;
3. aux produits dont les défauts ou dégâts ont été causés par une mauvaise installation, un mauvais câblage, une alimentation de mauvaise tension ou par un mauvais entretien; ni causés par un accident, une mauvaise utilisation ou des utilisations abusives, un incendie, des inondations, des modifications et/ou une mauvaise application du produit et/ou des appareils installés dans une atmosphère corrosive, problèmes ou délais de réparation causés par actes de guerre, des restrictions ou limitations par le gouvernement, des grèves, des manquements de matériel en dehors du contrôle de FRIEDRICH ou par des cas de force majeure.

**OBTENTION DE RÉPARATION SOUS GARANTIE** - Le service sera fourni par un distributeur agréé par FRIEDRICH ou un centre de réparation dans la région. Ils sont indiqués dans les Pages Jaunes. S'il faut de l'assistance pour obtenir des réparations sous garantie, écrire à Room Air Conditioner Service Manager, Friedrich Air Conditioning Co., 10001 Reunion Place, Ste. 500, San Antonio, TX 78216.

**LIMITATIONS - CETTE GARANTIE A ÉTÉ DONNÉE EN REMPLACEMENT DE TOUTE AUTRE GARANTIE. Indépendamment de cette garantie, TOUTE GARANTIE SOUS-ENTENDUE D'APPLICATION POUR UN BUT PARTICULIER ET/OU DE COMMERCIALISATION EST LIMITÉE À LA DURÉE DE LA GARANTIE EXPRESSE. LE FABRICANT SPÉCIFIQUEMENT DÉCLINE ET REFUSE TOUTE RESPONSABILITÉ POUR LES DOMMAGES INDIRECTS OU SECONDAIRES POUR INEXÉCUTION DE TOUTE GARANTIE EXPRESSE OU SOUS-ENTENDUE.**

**REMARQUE** - Certaines provinces ne permettent pas les limitations sur la longueur de la garantie sous-entendue ou ne permettent pas la limitation ni l'exclusion des dommages indirects ou secondaires, il est donc possible que ces exclusions et limitations ne s'appliquent pas à un cas spécifique.

**AUTRE** - Cette garantie donne des droits spécifiques et il est possible que le propriétaire ait d'autres droits qui varient d'une province à l'autre.

**PREUVE D'ACHAT** - Le propriétaire doit fournir la preuve d'achat pour pouvoir recevoir des services sous garantie.

Tous les appels ayant pour but d'expliquer le fonctionnement de ce produit sont à la charge du consommateur.

Toute réparation sous garantie doit être faite par un agent de réparation agréé par **FRIEDRICH**, sauf en cas d'autorisation préalable par FRIEDRICH.



---

## NOTES

---

# NOTES

---

# NOTES

---

---

---

---

---

---

---

---

---

---

---

---

---

---

---

---

---

---

---

---

---

---

---

---

---

---

---



# FRIEDRICH WALLMASTER®

## Performance Testing Installation and Test Method

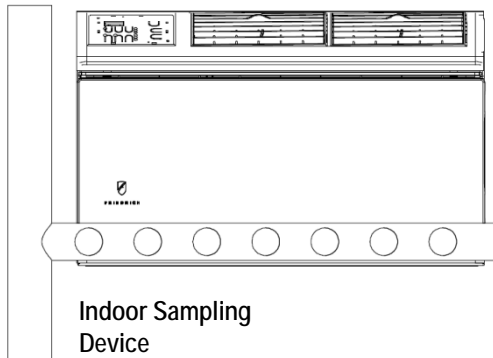
The following instructions only apply to laboratory test procedures and do not apply to actual product installation and operation.

ANSI/ASHRAE Standard 16-1983 (RA 2009) Method of Testing for Rating Room Air Conditioners and Packaged Terminal Air Conditioners shall be adhered to when testing for obtaining cooling capacity and airflow quality for rating this room air conditioning unit.

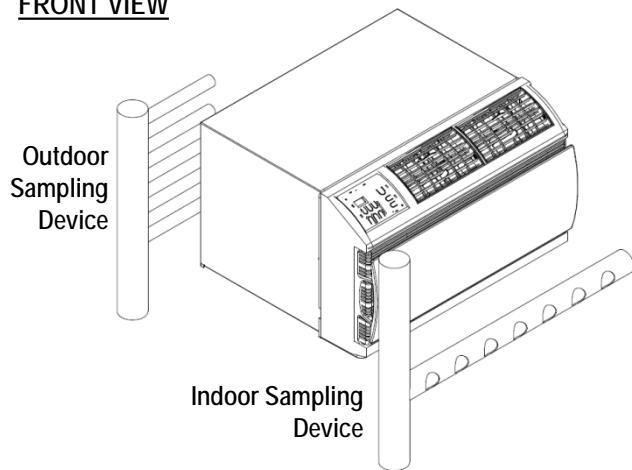
Maximum cooling capacity must be achieved in accordance with the following instructions:

*For maximum capacity and efficiency, air shall be sampled 4 to 6 inches away from the intake of the unit. See images below:*

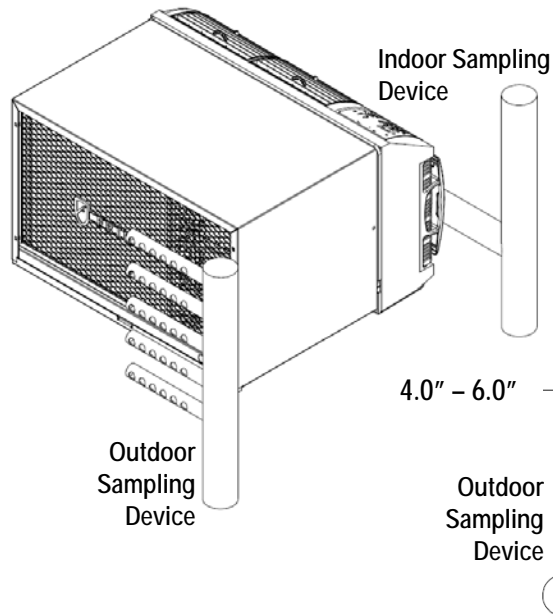
### FRONT VIEW



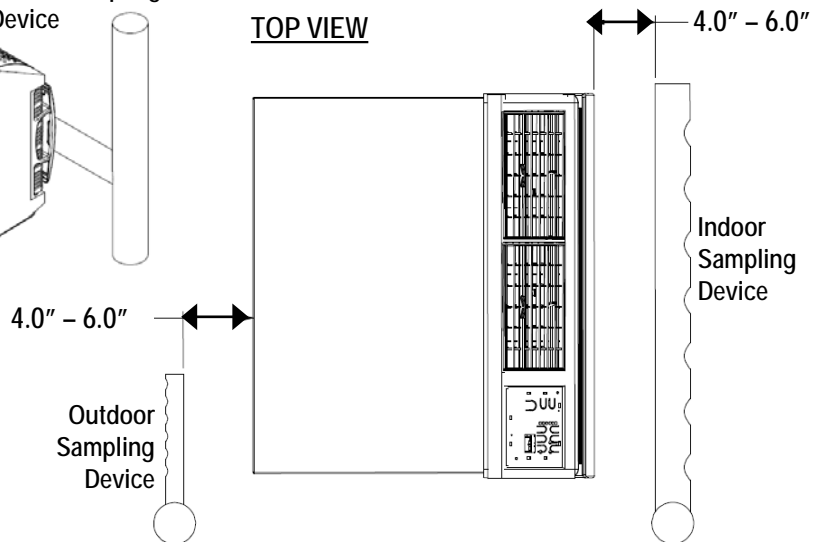
### FRONT VIEW



### BACK VIEW



### TOP VIEW



The indoor and outdoor air sampling devices must comply with:  
ASHRAE 41.1-1986 (RA 2006) - Method for Temperature Measurement  
ASHRAE 41.6-1994 (RA 2006) - Method for Measurement of Moist Air Properties

*NOTE: Images of the sampler are for display purposes and not to scale*



## **Performance Testing Installation and Test Method *continued***

### Test Unit Installation

As per ANSI/ASHRAE Standard 16-1983 (RA 2009), section 4.2.2, this air conditioner shall be installed per the instructions specified in this Installation & Operation Manual.

### Test Unit Settings

Louver position:

- Louvers shall be kept in the recessed position (not extended)
- Louvers shall be centered (not directed left or right) and pointed upward.

Fan speed:

- Fan shall be set to the highest speed setting (F3)

System Operation:

- Unit shall be operating in "Cool" Mode



**F R I E D R I C H**

**FRIEDRICH AIR CONDITIONING CO.**

10001 Reunion Place, Suite 500

San Antonio, Tx 78216

1-800-541-6645

[www.friedrich.com](http://www.friedrich.com)

**93051002\_01**