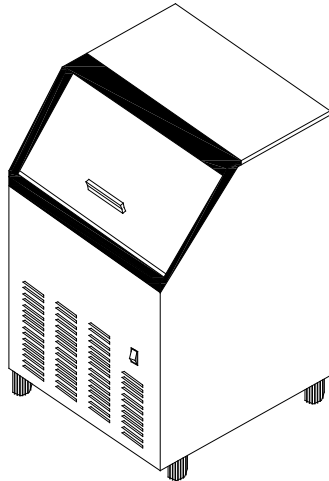




## INSTRUCTION MANUAL MANUAL DE INSTRUCCIONES

Model Number:  
No. de Modelo:

**IMC88U3S**



**BEFORE USE, PLEASE READ AND FOLLOW ALL SAFETY RULES AND OPERATING INSTRUCTIONS.**

**ANTES DE USAR, LEA Y SIGA TODAS LAS INSTRUCCIONES DE OPERACIÓN.**

Avanti has a policy of continuous improvement on its products and reserves the right to change materials and specifications without notice.  
La política de Avanti es la de continuar mejorando sus productos y se reserva el derecho de cambiar los materiales y especificaciones sin notificación alguna.

La versión española de este manual comienza en la página **24**

---

Avanti Products LLC  
P.O. Box 520604 - Miami, Florida 33152  
[www.avantiproductions.com](http://www.avantiproductions.com)

---

## TABLE OF CONTENTS

APPLIANCE SAFETY	3
IMPORTANT SAFEGUIDES	4
HELP US HELP YOU	5
PARTS AND FEATURES	6
IMPORTANT SAFETY INSTRUCTIONS	7
INSTALLATION INSTRUCTIONS	7
<i>Installation of Your IceMaker</i>	8 – 9
<i>Electrical Connection</i>	10
<i>Extension Cord</i>	10
<i>Surge Protector</i>	10
<i>Water Supply</i>	11
OPERATING YOUR APPLIANCE	12 – 15
CARE AND MAINTENANCE	15 – 18
<i>Power Failure</i>	19
<i>Vacation Time</i>	19
<i>Moving Your Appliance</i>	19
<i>Energy Saving Tips</i>	19
TROUBLESHOOTING GUIDE	20 – 21
SERVICE FOR YOUR APPLIANCE	22
WIRING DIAGRAM	22
AVANTI PRODUCTS WARRANTY	23
INSTRUCCIONES EN ESPAÑOL	24 – 39
WARRANTY REGISTRATION CARD	40 – 41

## APPLIANCE SAFETY

**Your safety and the safety of others are very important.**

We have provided many important safety messages in this manual for your icemaker. Always read and obey all safety messages.



This is the Safety Alert Symbol. This symbol alerts you to potential hazards that can kill or injure you and others. All safety messages will follow the Safety Alert Symbol and either the words "DANGER", "WARNING" or "CAUTION".



Danger means that failure to heed this safety statement may result in severe personal injury or death.



Warning means that failure to heed this safety statement may result in extensive product damage, serious personal injury, or death.



Caution means that failure to heed this safety statement may result in minor or moderate personal injury, property or equipment damage.

All safety messages will alert you to know what potential hazard is, tell you how to reduce the chance of injury, and let you know what can happen if the instructions are not followed.

### **IMPORTANT SAFETY INSTRUCTIONS**

**WARNING:** *To reduce the risk of fire, electric shock or injury when using your icemaker, follow these basic precautions:*

- Plug unit into a grounded 3-prong outlet
- Do not remove the grounding prong.
- Do not use an adapter.
- Do not use and extension cord.
- Disconnect power before cleaning.
- Disconnect power before servicing.
- Replace all panels before operating.
- Use two or more people to move and install the ice maker

**SAVE THESE INSTRUCTIONS**

## IMPORTANT SAFEGUIDES



Before the icemaker is used, it must be properly positioned and installed as described in this manual, so read the manual carefully. To reduce the risk of fire, electrical shock or injury when using the icemaker, follow basic precaution, including the following:

### **DANGER**

- Plug into a grounded 3-prong outlet, do not remove grounding prong, do not use an adapter, and do not use an extension cord.
- It is recommended that a separate circuit, serving only your icemaker be provided. Use receptacles that cannot be turned off by a switch or pull chain.
- Never clean icemaker parts with flammable fluids. These fumes can create a fire hazard or explosion. And do not store or use gasoline or other flammable vapors and liquids in the vicinity of this or any other icemaker. The fumes can create a fire hazard or explosion.
- Before proceeding with cleaning and maintenance operations, make sure the power line of the unit is disconnected.
- Do not connect or disconnect the electric plug when your hands are wet.
- Unplug the icemaker or disconnect power before cleaning or servicing. Failure to do so can result in electrical shock or death.
- Do not attempt to repair or replace any part of your icemaker unless it is specifically recommended in this manual. All other servicing should be referred to a qualified technician.

### **WARNING**

#### **FOLLOW WARNING CALL OUTS BELOW ONLY WHEN APPLICABLE TO YOUR MODEL**

- Use two or more people to move and install icemaker. Failure to do so can result in back or other injury.
- To ensure proper ventilation for your icemaker, the front of the unit must be completely unobstructed. Choose a well-ventilated area with temperatures above **55°F (13°C)** and below 90°F (32°C). This unit must be installed in an area protected from the element, such as wind, rain, water spray or drips.
- The icemaker should not be located next to ovens, grills or other sources of high heat.
- The icemaker must be installed with all electrical, water and drain connections in accordance with state and local codes. A standard electrical supply (115 V AC only, 60 Hz), properly grounded in accordance with the National Electrical Code and local codes and ordinances is required.
- Do not kink or pinch the power supply cord of icemaker.
- The fuse (or circuit breaker) size should be 15 amperes.
- It is important for the icemaker to be leveled in order to work properly. You may need to make several adjustments to level it.
- All installation must be in accordance with local plumbing code requirements.
- Make certain that the pipes are not pinched or kinked or damaged during installations.
- Check for leaks after connection.
- Never allow children to operate, play with or crawl inside the icemaker.
- If you use the drainage container, you **MUST** set the Drain Select switch to OFF or the water can overflow from the drainage container
- Although the unit has been tested at the factory, due to long-term transit and storage, the first batch of cubes must be discarded.
- Do not use solvent-based cleaning agents or abrasives on the interior. These cleaners may damage or discolor the interior.
- Do not use this apparatus for other than its intended purpose.

## HELP US HELP YOU...

### Read this guide carefully.

It is intended to help you operate and maintain your new Icemaker properly.

Keep it handy to answer your questions. If you don't understand something or you need more assistance, please call:

**Avanti Customer Service  
800-220-5570**

Keep proof of original purchase date (such as your sales slip) with this guide to establish the warranty period.

**CAUTION:**

THE ICEMAKER IS NOT DESIGNED  
FOR THE STORAGE OF MEDICINE OR  
OTHER MEDICAL PRODUCTS.

### Write down the model and serial numbers.

You'll find them on a plate located on the rear wall of the Icemaker

Please write these numbers here:

\_\_\_\_\_

Date of Purchase

\_\_\_\_\_

Model Number

\_\_\_\_\_

Serial Number

Use these numbers in any correspondence or service calls concerning your Icemaker

If you received a damaged Icemaker, immediately contact the dealer (or builder) that sold you the Icemaker

Save time and money. Before you call for service, check the Troubleshooting Guide. It lists causes of minor operating problems that you can correct yourself.

---

### If you need service

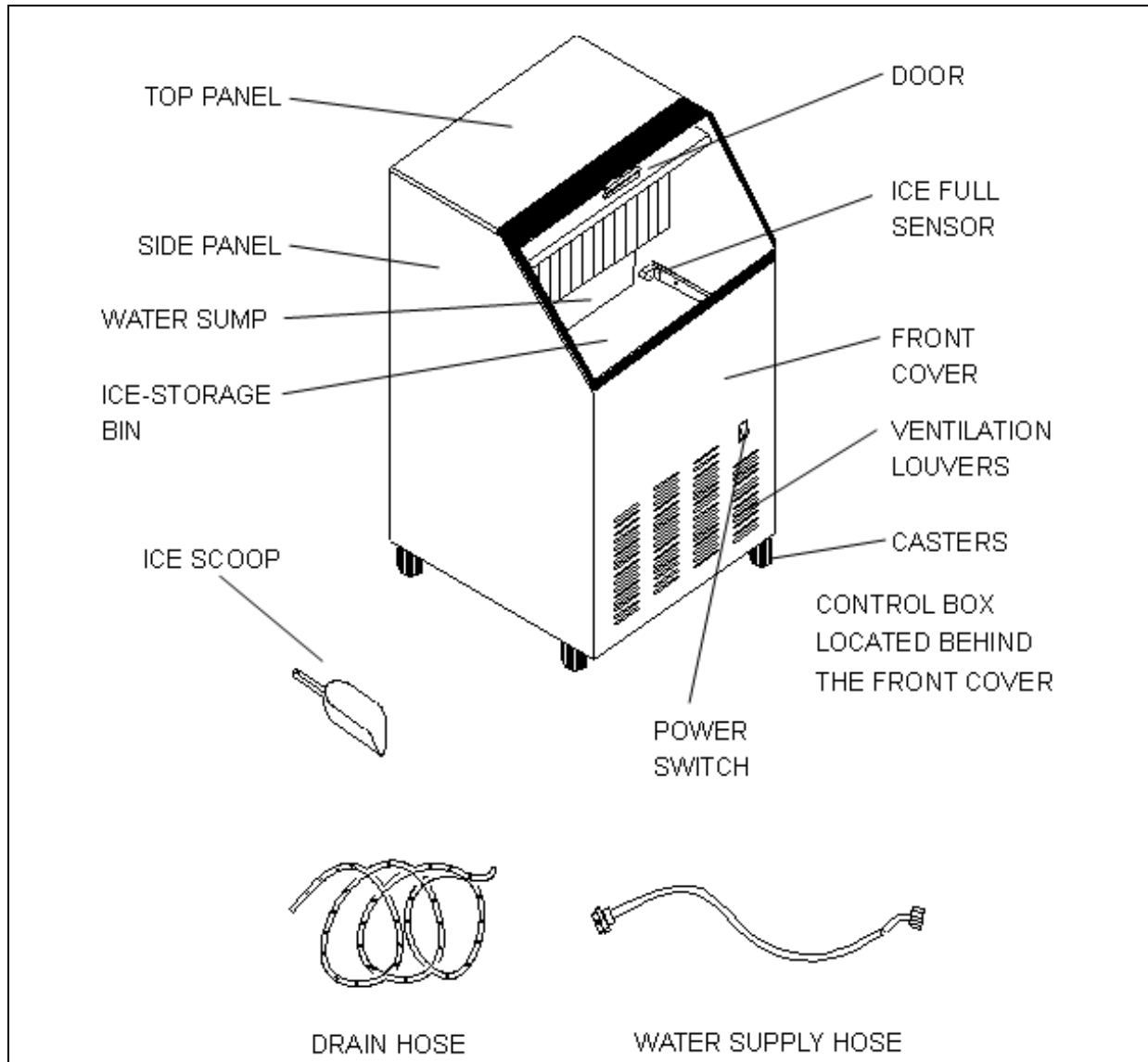
We're proud of our service and want you to be pleased. If for some reason you are not happy with the service you receive, here are some steps to follow for further assistance.

FIRST, contact the people who serviced your Icemaker. Explain why you are not pleased. In most cases, this will solve the problem.



NEXT, if you are still not pleased, write all the details, including your telephone number, and send it to:

**Customer Service  
Avanti Products  
10880 NW 30 Street  
Miami, FL 33172 USA**

## PARTS AND FEATURES



## IMPORTANT SAFETY INSTRUCTIONS

 <b>WARNING</b> 	To reduce the risk of fire, electrical shock, or injury when using your icemaker, follow these basic precautions:
--	---



### This Unit Is For Indoor Use Only - SAVE THESE INSTRUCTIONS -

- Read all instructions before using the icemaker.
- **DANGER or WARNING:** Risk of child entrapment. Child entrapment and suffocation are not problems of the past. Junked or abandoned icemakers are still dangerous . . . even if they will “just sit in the garage a few days”.
- **Before you throw away your old icemaker:** take off the doors. Leave the shelves in place so that children may not easily climb inside.
- Never allow children to operate, play with, or crawl inside the icemaker.
- Never clean icemaker parts with flammable fluids. The fumes can create a fire hazard or explosion.
- Do not store or use gasoline or any other flammable vapors and liquids in the vicinity of this or any other icemaker. The fumes can create a fire hazard or explosion.

## INSTALLATION INSTRUCTIONS

### *Before Using Your Icemaker*

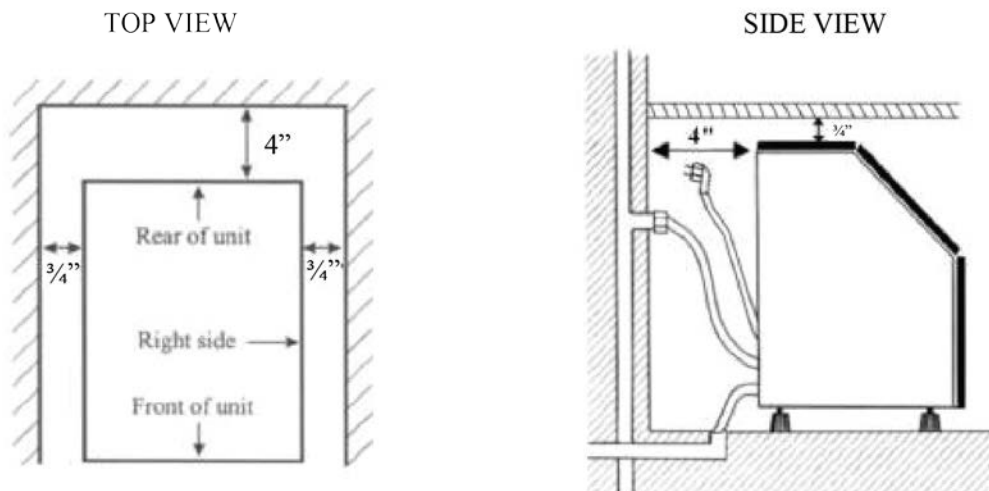
- Remove the exterior and interior packing.
- Check to be sure you have all of the following parts:
  - 1 Ice Scoop
  - 1 Water Supply Hose
  - 1 Water Drain Hose
  - Instruction Manual
- Before connecting the unit to the power source, let it stand upright for approximately 2 hours. This will reduce the possibility of a malfunction in the cooling system from handling during transportation.
- Clean the interior surface with lukewarm water using a soft cloth.

 <b>WARNING</b> 
EXCESSIVE WEIGHT HAZARD USE TWO OR MORE PEOPLE TO MOVE AND INSTALL THE ICEMAKER FAILURE TO DO SO CAN RESULT IN BACK OR OTHER INJURY

## Installation of Your Icemaker

- **THIS ICEMAKER SHOULD BE PROPERLY INSTALLED BY A QUALIFIED PROFESSIONAL**  
**This icemaker MUST be installed with electrical and water connections in accordance with all state and local codes.**
- Place your icemaker on a floor that is strong enough to support the icemaker when it is fully loaded. To level your icemaker, adjust the legs at the front of the icemaker.
- **Allow a minimum of  $\frac{3}{4}$  inch of space between the top and sides of the icemaker and a minimum of 4 inches at the back, which allows the proper air circulation to cool the compressor. Ensure the front of the unit is completely unobstructed.**
- Locate the icemaker away from direct sunlight and sources of heat (stove, heater, radiator, etc.). Direct sunlight may affect the acrylic coating and heat sources may increase electrical consumption. Extreme cold ambient temperatures may also cause the icemaker not to perform properly.
- Choose a well ventilated area with temperatures above 55°F (13°C) and below 90°F (32°C). This unit **MUST** be installed in an area protected from the elements.
- Avoid locating the icemaker in moist areas. Too much moisture in the air will cause frost to form quickly on the evaporator requiring more frequent defrosting of the icemaker.

### INSTALLATION CLEARANCES:



- The installation of this icemaker requires a cold water supply inlet of  $\frac{1}{4}$ " (6.35mm) soft copper tubing with a shut off valve.
- The icemaker requires a continuous water supply with a minimum pressure of 14.5 psig and a static pressure not to exceed 80 psig. The temperature of the water supply into the icemaker should be between 41°F (5°C) and 77°F (25°C) for proper operation.
- It is strongly recommended that a water filter be used. A filter, if it is of the proper type, can remove taste and odors as well as particles. Some water is very hard, and softened water may result in white, mushy cubes that stick together. De-Ionized water is NOT recommended.

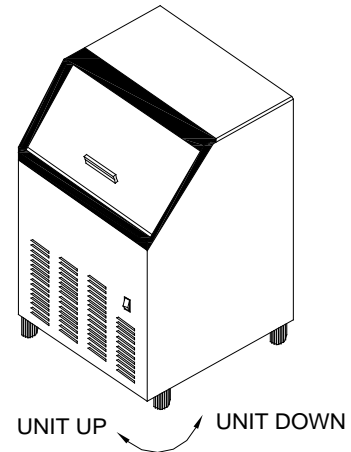
#### **Warning**

*Operation of the icemaker for extended periods outside of the normal temperature ranges as described above may affect product performance.*



### **Leveling the ice maker**

It is important for the icemaker to be leveled in order to work properly. It can be raised or lowered by rotating the plastic sheaths around each of the four casters on the bottom of the machine. If you find that the surface is not level, rotate the casters until the ice maker becomes level. You may need to make several adjustments to level it. We recommend using a carpenter's level to check the machine.



You will find that the casters make it easy for one person to move the machine. This is useful for cleaning and sanitizing the surface on which the icemaker is installed because it allows you to move the unit and have easy access to the surface to be cleaned.

***IMPORTANT:** Once you are ready to install it in a cabinet or directly on the floor, you must adjust the feet to level the ice maker. If the floor is level, just revolve the two front casters to touch the floor.*

## **Electrical Connection**

### **⚡WARNING⚡**

Improper connection of the equipment-grounding can result in the risk of electrical shock. If the power cord of the range or icemaker is damaged, have it replaced by an authorized Avanti Products service center.

**This icemaker should be properly grounded for your safety. The power cord of this icemaker is equipped with a three-prong plug which mates with standard three prong wall outlets to minimize the possibility of electrical shock.**

Do not under any circumstances cut or remove the third ground prong from the power cord supplied. For personal safety, this icemaker must be properly grounded.

This icemaker requires a standard 115/120 Volt AC ~/60Hz electrical ground outlet with three-prong. Have the wall outlet and circuit checked by a qualified electrician to make sure the outlet is properly grounded. When a standard 2-prong wall outlet is encountered, it is your responsibility and obligation to have it replaced with a properly grounded 3-prong wall outlet.

The cord should be secured behind the icemaker and not left exposed or dangling to prevent accidental injury.

The icemaker should always be plugged into its own individual electrical outlet which has a voltage rating that matches the rating label on the icemaker. This provides the best performance and also prevent overloading house wiring circuits that could cause a fire hazard from overheated. Never unplug the icemaker by pulling the power cord. Always grip the plug firmly and pull straight out from the receptacle. Repair or replace immediately all power cords that have become frayed or otherwise damaged. Do not use a cord that shows cracks or abrasion damage along its length or at either end. When moving the icemaker, be careful not to damage the power cord.

## **Extension Cord**

Because of potential safety hazards under certain conditions, it is strongly recommended that you do not use an extension cord with this icemaker. However, if you must use an extension cord it is absolutely necessary that it be a UL/CUL-Listed, 3-wire grounding type icemaker extension cord having a grounding type plug and outlet and that the electrical rating of the cord be 115 volts and at least 10 amperes.

## **Surge Protector**

Most electrical icemakers use a series of electric control boards to operate. These boards are very susceptible to power surges and could be damaged or destroyed.

If the icemaker is going to be used in an area or if your city / country is prone to power surges / outages; it is suggested that you use a power surge protector for all electrical devices / icemakers you use. The surge protector that you select must have a surge block high enough to protect the icemaker it is connected to. If you have any questions regarding the type and size of surge protector needed contact a licensed electrician in your area.

Damages due to power surges are not considered a manufacturer covered defect and will void your product warranty.

## Water Supply

The water supply should be ready at the point of installation. The water supply pressure should be a minimum of 15 psig with a static pressure not more than 80 psig. (A wall outlet directly behind the ice machine will make installation easier.)

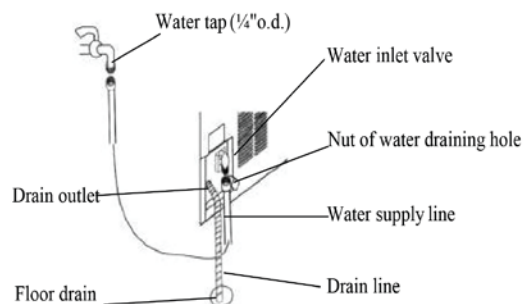
### IMPORTANT:

1. All installations must be in accordance with local plumbing code requirements. Professional installation is recommended.
2. Make certain the hoses are not pinched or kinked or damaged during installation.
3. Check for leaks after connection.

**Tools required:** ½-in. open-end wrench, Phillips screwdriver

Connecting the water line:

1. Turn off main water supply. Turn on the nearest faucet long enough to clear line of water.
2. Find a ½-in. to ¾-in. vertical cold water pipe near the installation location. The distance should be less than 6 feet. The water supply hose provided with the ice maker is about 6 feet long.
3. A shut-off valve must be installed to the main water supply. If the water pipe has a plain piece of copper tubing, attach a ¼" O.D. compression union to the tubing and remove the nut.
4. Connect the nut of the water supply hose to the tap, and connect the other end with the water inlet. Tighten firmly by hand, then one-half turn with wrench.
5. Turn on main water supply and tap. Check for water supply connection leaks. Tighten every connection (including connection at the water inlet).



**IMPORTANT:** When you connect the water supply hose and the drain hose, pay attention to the indications of “Water inlet” and “Drain outlet” on the machine.

## Drain

You must connect the drain line before using the ice maker. Follow the steps outlined below.  
Connecting the drain line:

**NOTE: A gravity drain system is used in this type of icemaker. If there is a drain line near the ice maker, the best choice is to drain water to the drain line through the drain water hose provided with ice maker.**

1. Locate the floor drain near the ice maker. The distance should be less than 4.5 feet since the length of the long drain water hose provided with the ice maker is about 4.85 feet.
2. Find the drain outlet on the back of ice maker. Connect the drain outlet to the water draining hose, and insert the other end of the hose into the drain line.

*NOTE: Never allow the drain hose to hang or loop higher than the floor of the ice storage bin.*

3. All horizontal runs of drain lines must have a fall of ¼" per foot. An air gap will likely be required between the ice maker drain tube and the drain/waste receptacle. A standpipe with a trap below it would be acceptable for the drain/waste receptacle. A floor drain is also acceptable.
4. Pour 1 gallon of water into the ice storage bin to check for leaks in the drainage system. Tighten any connections that leak.

**IMPORTANT:** Infrequent drainage will cause a high rate of melting in the ice storage bin.

## OPERATING YOUR ICEMAKER

**UNPLUG THE UNIT. REMOVE THE FRONT PANEL BY REMOVING THE THREE SCREWS.**

### **Description of LEDs and buttons:**

#### 1. **Bin Full (Red) LED:** Bin full indicator light

When this is lit, the ice storage bin is full of ice or there is something blocking the bin-full probe. The unit will stop working.

When ice cubes are removed from the ice storage bin, freeing the bin-full probe, the red LED will remain flashing for 3 minutes, then the unit will restart and return to the ice making mode.

#### 2. **Ice Making(Green) LED:** Ice making indicator light

When this is lit, the unit is working in the ice making mode controlled by a temperature probe on the evaporator. When the green LED flashes, the unit is working in the ice making mode controlled by a fixed timer.

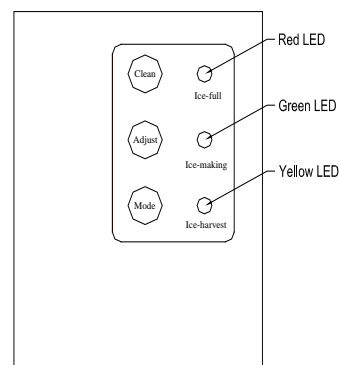
#### 3. **Ice Harvest (Yellow) LED:** Ice harvest indicator light

When this is lit, the unit is working in the ice harvest mode controlled by the ice-full probe.

#### 4. **Mode button:** Mainly for service. When this is pressed, the ice making mode changes to the ice harvest mode or vice versa. The mode can be judged from the status of the green and yellow LEDs.

#### 5. **Adjust button:** Mainly for service. When it is pressed over 3 seconds, the unit will enter the Ice Size Adjustment mode. The mode can be judged from the status of the yellow LED.

#### 6. **Clean button:** When this button is pressed, the unit enters the "CLEANING" mode. The green and yellow LEDs flash together. To stop the cleaning mode simply



### **Ice Size Adjustment Guide:**

1. Press and hold the "Adjust" button for at least 3 seconds. The unit will enter the Ice Size Adjustment mode. The "HARVEST" LED (yellow) will be blinking continuously during the ice size adjustment. Release the button when the LED blinks continuously to adjust the ice size.
2. While in the Ice Size Adjustment mode, press the "Clean" (-) button or the "Mode" (+) button for the desired ice size.

### **Smaller ice setting:**

By pressing the "Clean" (-) button, you can decrease the size of the ice cubes. The "ICE" LED (green) will flash as you lower the ice size and will finally be blinking at the setting of smallest ice size.

### **Larger ice setting:**

By pressing the "Mode" (+) button, you can increase the size of the ice cubes. The "BIN FULL" LED (red) will flash as the larger size is set and will blink when the setting of largest ice size has been reached.

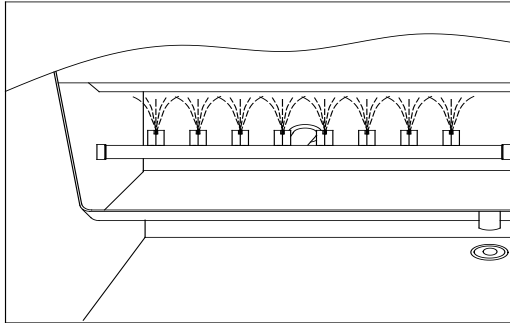
*After 10 seconds without any operation, the unit will return to the previous mode.*

**NOTE:**

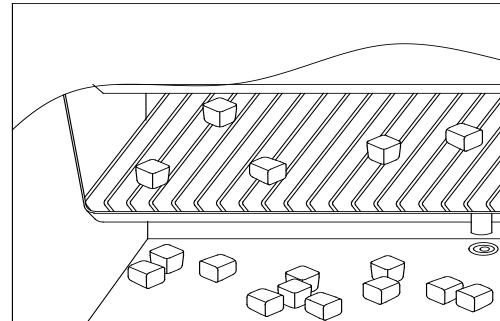
- If during the ice size adjustment mode the “BIN FULL”, “ICE” and “HARVEST” LEDS blink all at once, this indicates that the unit is in the regular (middle) setting of the ice size.
- When the machine is in the cleaning stage or ice full stage, the ice size adjustment mode cannot be accessed

**Operating method**

1. Turn on the water tap, let the water trough fill, then press the ON/OFF button on the front panel.  
The ice maker will start working automatically.



Ice making stage



Ice harvest stage

2. After 3 minutes, the machine will automatically go to the ice-making stage, and the sound of water flowing will be heard.
3. When the batch of ice has been fully formed, ice will automatically be harvested to the ice storage bin.
4. When the ice storage bin is full, the machine stops making ice automatically.
5. The unit will start making ice again after the ice cubes are removed.

**IMPORTANT:**

- *Although the unit has been tested and cleaned at the factory, due to long-term transit and storage, the first batch of cubes must be discarded.*
- *Never turn the water supply tap off when the ice maker is working.*
- *Never touch the evaporator when unit is running!*
- *Except to take ice from the unit, keep the door closed to reduce melting and insure proper ice formation.*

## ***How the machine makes ice***

***Set the ON/OFF button to the ON position.  
The machine will automatically go to the ice making stage.***

***There are two distinct cycles: ice making and harvest.***

The freeze cycle happens when water flows to the evaporator surface. The harvest cycle is when the ice is released and water enters the machine. A complete cycle takes about 20 minutes, but it depends on temperature and operating conditions.

**Freeze:** During the freeze cycle the compressor is pumping refrigerant, the fan motor is blowing air, and the water pump is circulating water. When the batch of ice has been fully formed, the ice maker stops the freeze cycle and the harvest cycle begins.

**Harvest:** During the harvest cycle the compressor is still operating, but the water pump has stopped. The hot gas valve opens, diverting hot refrigerant gas into the evaporator. The hot refrigerant gas warms the evaporator, causing the cubes to slide as a unit off the evaporator and into the storage bin. The freeze cycle will restart when all the cubes have been harvested.

## ***How the machine uses the water***

The ice maker begins with a fixed charge of water that is contained in the water trough. As the water sprays on the freezing evaporator surface, the portion of water that does not contain mineral impurities freezes and sticks to the ice cube molds. The water containing impurities falls back into the water trough. During the ice making process, fresh water enters into the water trough continuously as the water in the trough freezes continuously in the evaporator.

## ***Normal sounds***

Your new ice maker may make sounds that are not familiar to you. Most of the new sounds are normal. Hard surfaces like the floor and walls can make the sounds louder than they actually are. The following list describes the sounds that might be new to you and what may be causing them.

- Rattling noises may come from the flow of the refrigerant or the water line. Items stored on top of the ice maker can also make noises.
- The high efficiency compressor may make a pulsating or high-pitched sound.
- Water running may make a splashing sound.
- You may hear air being forced over the condenser by the condenser fan.
- During the harvest cycle, you may hear the sound of ice cubes falling into the ice storage bin.

### ***Preparing the ice maker for long storage***

If the ice maker will not be used for a long time, or is to be moved to another place, it will be necessary to drain the system of water.

1. Shut off the water supply at the main water source.
2. Disconnect the water supply line from the water inlet.
3. Shut off the electric supply at the main electrical power source.
4. Take out the ice storage bin to remove any remaining ice and water. Dry the bin.
5. Pull off the drainage tube of the water trough to drain off all water.
6. Leave the door open to allow for circulation and to prevent mold and mildew.
7. Leave water supply line and power cord disconnected until ready to reuse.

#### ***IMPORTANT:***

- *Do not touch the power plug when your hands are wet.*
- *Never unplug the unit by pulling on the cord. Grasp the plug and pull out firmly.*

## **CARE AND MAINTENANCE**

### ***Cleaning The Icemaker***

#### **CAUTION**

If the ice maker is left unused for a long time, before the next use it must be thoroughly cleaned. Follow carefully any instructions provided for cleaning or use of sanitizing solutions. Do not leave any solution inside the ice maker after cleaning.

Periodic cleaning and proper maintenance will ensure efficiency, top performance, and long life. The maintenance intervals listed are based on normal conditions. You may want to shorten the intervals if you have pets, or there are other special considerations.

#### **Important Note:**

Never keep anything in the ice storage bin that is not ice: objects like wine and beer bottles are not only unsanitary, but the labels may slip off and plug up the drain.



#### **WARNING**

Before proceeding with cleaning and maintenance operations, make sure the power line of the unit is disconnected and the water line is shut off.

## ***Exterior cleaning***

The door and cabinet may be cleaned with a mild detergent and warm water solution such as 1 oz. of dishwashing liquid mixed with 2 gallons of warm water. Do not use solvent-based or abrasive cleaners. Use a soft sponge and rinse with clean water. Wipe with a soft clean towel to prevent water spotting.

If the door panel is stainless steel, it may discolor when exposed to chlorine gas and moisture. Clean stainless steel with a mild detergent and warm water solution and a damp cloth. Never use an abrasive cleaning agent.

## ***Interior Cleaning***

The ice storage bin should be sanitized occasionally. Clean the bin before the ice maker is used for the first time and reused after stopping for an extended period of time. It is usually convenient to sanitize the bin after the ice making system has been cleaned, and the storage bin is empty.

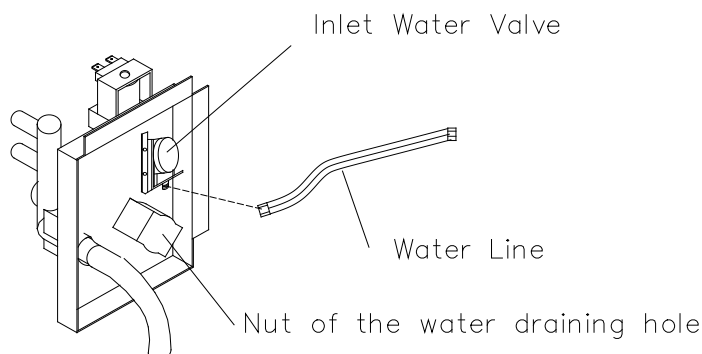
1. Disconnect power to the unit.
2. Open the door and with a clean cloth, wipe down the interior with a sanitizing solution made of 1 ounce (29.5ml) of household bleach or chlorine and 2 gallons (7.5L) of hot water 95°F (35 °C) to 115 °F (46 °C).
3. Rinse thoroughly with clear water. The waste water will be drained off through the drainpipe.
4. Reconnect power to the unit.

The ice scoop should be washed regularly. Wash it just like any other food container.

## **! WARNING**

DO NOT use solvent cleaning agents or abrasives on the interior, These cleaners may transmit taste to the ice cubes, or damage or discolor the interior.

## ***Ice Making System Cleaning***



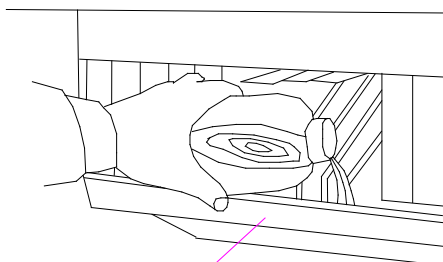
Minerals that are removed from water during the freezing cycle will eventually form a hard scaly deposit in the water system. Cleaning the system regularly helps remove the mineral scale buildup. How often you need to clean the system depends upon how hard your water is. With hard water of 4



to 5 grains/liter, you may need to clean the system as often as every 6 months.

1. Turn off power to the ice maker. Keep the ice maker connected to the water supply and drainpipe.
2. Open the door and scoop out all of the ice cubes. Either discard them or save them in an ice chest or cooler.
3. Remove the screws in the front cover, push forward to remove the front cover. Locate the control box.

**Notice:** Do not use too much force, as the wire leads connected to the power switch can be inadvertently disconnected. Use care in the area of the control box. Do not expose it to moisture.

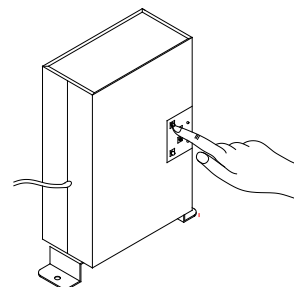


Water bin

4. Turn on the power to the ice maker. Pour 8 ounces of Nickel-Safe Ice Maker Cleaning Solution into the water bin. Add 8 ounces of tap water. After about 5 minutes, press down the "clean" button on the Control Box. (See figure below and following section.) The machine will run the Automatic Clean Mode.

Allow 30 minutes for proper cleaning. After cleaning, shut off the power switch, and unscrew the nut of the water-draining hole. Drain off the waste water to some container, and then screw the nut on tightly when the waste water is fully drained off.

5. The dirty water must be drained out completely. Perform steps 2 and 3 in the Interior Cleaning section.
6. Repeat steps 4 and 6 above 3 times (without Ice Maker Cleaning Solution) to rinse the ice making system completely.  
*Note: The use of the Ice Maker Cleaner Solution in the water bin during the rinse is not needed.*



7. Reassemble the front cover.
8. Turn on the power again. The machine will return to the regular ice making mode. Discard the first batch of ice.

## **WARNING**

The ice machine cleaner contains acids.  
**DO NOT** use or mix with any other solvent-based cleaner products.  
Use rubber gloves to protect hands. Carefully read the material safety instructions on the container of the ice machine cleaner.  
**DISCARD** the first batch of ice produced after cleaning.

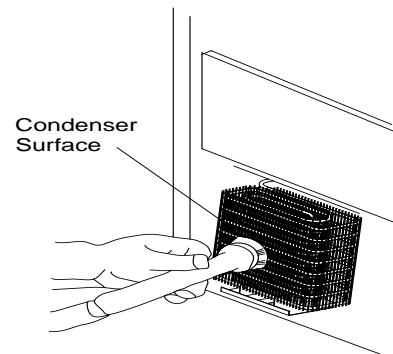
## ***Sanitizing the Ice-Making System***

1. Turn off power to the ice maker.
2. Remove all ice cubes from the storage bin.
3. Prepare a sanitizing solution made of 1 ounce of household bleach and 2 gallons of hot water 95°F (35°C) to 115°F (46 °C). Remove the flake covers and slideway from the water bin and wipe the entire bin inside and out, covering the entire surface of the walls.
4. Fill a spray bottle with the sanitizing solution and spray all corners and edges, making sure to cover all surfaces with the solution. Soak the flake cover and slideway in the solution and put back in place after drying.
5. Keep the ice maker connected to the water supply. Turn on the power to the ice maker. Within 5 minutes, press the CLEAN button. The machine will run the Automatic Clean mode.
6. Allow 30 minutes for proper cleaning. After cleaning, shut off the power switch, and unscrew the nut of the water-draining hole. Drain off the waste water to some container, and then screw the nut on tightly when the waste water is fully drained off.
7. The dirty water must be drained out completely. Perform steps 2 and 3 in the Interior Cleaning section.
8. Repeat steps 5 to 7 above three times with fresh water to rinse the ice-making system completely.
9. Reassemble the front cover.
10. Turn on the power again. The machine will return to the regular ice making mode. Discard the first batch of ice.

## ***Condenser cleaning***

A dirty or clogged condenser prevents proper airflow, reduces ice making capacity, and causes higher than recommended operating temperatures that may lead to component failure. Have the condenser cleaned at least once every six months.

1. Unplug the ice maker or disconnect power.
2. Gently pull off the lower front louver.
3. Remove dirt and lint from the condenser and the unit compartment with the brush attachment of a vacuum cleaner.
4. Reassemble the lower front louver.
5. Plug in the ice maker or reconnect power.



## ***Power Failure***

Most power failures are corrected within a few hours and should not affect the temperature of your icemaker if you minimize the number of times the door is opened. If the power is going to be off for a longer period of time, you need to take the proper steps to protect your food.

## ***Vacation Time***

**Short vacations:** Leave the unit operating during vacations of less than three weeks.

**Long vacations:** If the icemaker will not be used for several months, remove all food and unplug the power cord. Clean and dry the interior thoroughly. To prevent odor and mold growth, leave the door open slightly: blocking it open if necessary

## ***Moving Your Icemaker***

- Remove all the food.
- Securely tape down all loose items inside your unit.
- Turn the leveling screws up to the base to avoid damage.
- Tape the doors shut.
- Be sure the unit stays in the upright position during transportation.

## ***Energy Saving Tips***

- The unit should be located in the coolest area of the room, away from heat producing icemakers or heating ducts, and out of direct sunlight.
- Let hot foods cool to room temperature before placing them in the unit. Overloading the unit forces the compressor to run longer. Foods that freeze too slowly may lose quality, or spoil.
- Be sure to wrap foods properly, and wipe containers dry before placing them in the unit. This cuts down on frost build-up inside the freezer.
- Organize and label food to reduce door openings and extended searches. Remove as many items as needed at one time, and close the door as soon as possible.

## TROUBLESHOOTING

### ***Before Calling for Service***

If the unit appears to be malfunctioning, read through the *OPERATION* section of this manual first. If the problem persists, check the Troubleshooting Guide on the following pages. Some of the problems mentioned in the Guide can be solved easily without a service call.

<b>Problem</b>	<b>Possible Cause</b>	<b>Probable Correction</b>
The machine doesn't operate.	The ice maker is unplugged.	Plug the ice maker in.
	The fuse is blown.	Replace fuse. If it happens again, call for service to check for a short circuit in the unit.
	The ice maker power button is set at OFF.	Switch the ice maker power button to ON.
	The ice storage bin is full of ice.	Remove some ice cubes. Be sure the ice-full probe is free of ice.
The water doesn't feed in after the machine starts.	The water supply tap is turned off.	Turn on the water supply tap.
	The water supply pipe is not properly connected.	Reconnect the water supply pipe.
Machine makes ice, but bin does not fill up with ice.	The condenser may be dirty.	Clean the condenser.
	The air flow to the ice maker may be obstructed.	Check the installation.
	The ambient temperature and water temperature are high, or unit is near some heat source.	Check the installation.
Water is leaking out of the unit.	Some water falls to the floor when you open the door to remove ice from storage bin.	Normal condensation on the door or some water together with ice. Take care when you take out ice.
	Water supply connection is leaking.	Tighten fitting. See <i>Connecting the water line</i> .
	Drain pipe higher than drain outlet.	Lower drain pipe.
Cubes are partially formed or are white on the bottom.	Not enough water in the water trough.	Check if the water supply pressure is below 15 psig.
		Check water supply or filter may be restricted.
		Check for a water leak at the water trough.
Noise during operation	The feet are not leveled and locked.	Level and lock the feet. See <i>Leveling the Ice Maker</i> .
	Certain sounds are normal.	See <i>Normal Sounds</i> .
The ice maker stops	The electricity is off.	Reconnect the power supply line.

suddenly while making ice.	The room temperature is out of the stated range.	Cut off the electricity and leave the ice maker disconnected until the temperature returns to within the stated range.
	The ice storage bin is full of ice.	Remove some ice cubes; make sure the ice-full probe is free of ice.
The body of the ice maker is electrified	The ground line isn't in the socket.	Use a socket meeting the grounding requirements.
Scaling occurs frequently inside the machine.	The hardness level of the water is too high.	Install a water-softening device in front of the water inlet.
Water leaks from the ice storage bin	The drainhole below the ice storage bin is blocked.	Remove the ice storage bin and clean the drainhole.
	The drain hose is kinked or improperly placed higher than the floor of the ice storage bin.	Check the drain hose to be sure water can be drained out unhindered.

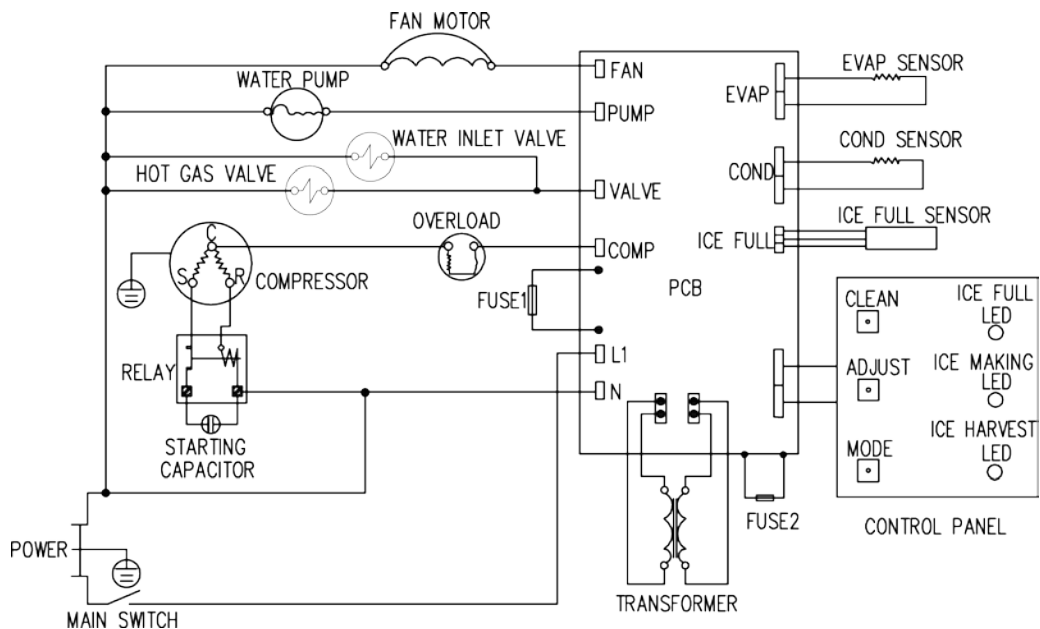
## SERVICE FOR YOUR ICEMAKER

We are proud of our customer service organization and the network of professional service technicians that provide service on your Avanti Products icemakers. With the purchase of your Avanti Products icemaker, you can be confident that if you ever need additional information or assistance, the Avanti Products Customer Service team will be here for you. Just call us toll-free.

### Avanti Products Customer Service

Product Information 800-323-5029	Whatever your questions are about our products, help is available.
Part Orders 800-220-5570	You may order parts and accessories that will be delivered directly to your home by personal check, money order, Master Card, or Visa.
In-Home Repair Service 800-220-5570	An Avanti Products authorized service center will provide expert repair service, scheduled at a time that is convenient for you. Our trained servicers know your icemaker inside and out.

### WIRING DIAGRAM



# AVANTI PRODUCTS WARRANTY

Staple your sales receipt here.

**Proof of original purchase date is needed to obtain service under warranty.**

## WHAT IS COVERED LIMITED ONE-YEAR WARRANTY

Avanti Products warrants that the product is free from defects in materials and/or workmanship for a period of twelve (12) months from the date of purchase by the original owner. The foregoing timeline begins to run upon the date of purchase, and shall not be stalled, tolled, extended, or suspended for any reason whatsoever unless described in detail in the warranty document. For one year from the date of purchase by the original owner, Avanti products will, at its option, repair or replace any part of the product which proves to be defective in material or workmanship under normal use. Avanti Products will provide you with a reasonably similar product that is either new or factory refurbished. During this period Avanti Products will provide all parts and labor necessary to correct such defects free of charge, so long as the product has been installed and operated in accordance with the written instructions in this manual. In rental or commercial use, the warranty period is 90 days. All Avanti appliances of 4.2 cubic feet capacity or less must be brought/sent to the appliance service center for repair.

## SECOND THROUGH FIFTH YEAR LIMITED WARRANTY

For the second through the fifth year from the date of original purchase, Avanti Products will provide a replacement compressor free of charge due to a failure. You are responsible for the service labor and freight charges. In rental or commercial use, the limited compressor warranty is one year and nine months. Costs involved to move the product to the service center and back to the user's home, as maybe required, are the user's responsibility.

## WHAT IS NOT COVERED

The warranty coverage described herein excludes all defects or damage that are not the direct fault of Avanti Products, including without limitation, one or more of the following:

A failure to comply with any applicable state, local, city, or county electrical, plumbing and/or building codes, regulations, or laws, including failure to install the product in strict conformity with local fire and building codes and regulations.

Any external, elemental and/or environmental forces and factors, including without limitation, rain, wind, sand, floods, fires, mud slides, freezing temperatures, excessive moisture or extended exposure to humidity, lightning, power surges, structural failures surrounding the appliance, and acts of God.

- Content losses of food or other content due to spoilage.
- Incidental or consequential damages
- Parts and labor costs for the following will not be considered as warranty:
  - Evaporator doors, door springs, and/or frames.
  - Inner door panels, door shelves, door rails, and/or door supports.
  - Plastic cabinet liners.
  - Punctured evaporator that voids the warranty on the complete sealed system.
- Shipping and handling costs associated with the replacement of the unit.
- Repairs performed by unauthorized servicers.
- Service calls that are related to external problems, such as abuse, misuse, inadequate electrical power, accidents, fire, floods, or any other acts of God.
- Failure of the product if it is used for other than it intended purpose.
- Surcharges including but not limited to, any after hour, weekend, or holiday service calls, tolls, ferry trip charges, or mileage expense for service calls to remote areas.

The warranty does not apply outside the Continental USA.

In no event shall Avanti Products have any liability or responsibility whatsoever for damage to surrounding property, including cabinetry, floors, ceilings, and other structures and/or objects around the product. Also excluded from this warranty are scratches, nicks, minor dents, and other cosmetic damages on external surfaces and exposed parts; Products on which the serial numbers have been altered, defaced or removed; service visits for customer education, or visits where there is nothing wrong with the product; correction of installation problems (you are solely responsible for any structure and setting for the product, including all electrical, plumbing and/or other connecting facilities, for proper foundation/flooring, and for any alterations including without limitation cabinetry, walls, floors, shelving etc., as well as the resetting of breakers or fuses.

## OUT OF WARRANTY PRODUCT

Avanti Products is under no obligation, at law or otherwise, to provide you with any concessions, including repairs, pro-rates, or product replacement, once this warranty has expired.

## TABLA DE CONTENIDO

SEGURIDAD DEL APARATO	<b>25</b>
GUÍAS DE SEGURIDAD IMPORTANTES	<b>26</b>
AYÚDANOS A AYUDARTE	<b>27</b>
PARTES Y CARACTERÍSTICAS	<b>28</b>
INSTRUCCIONES DE SEGURIDAD IMPORTANTES	<b>29</b>
INSTRUCCIONES DE INSTALACIÓN	<b>29</b>
<i>Instalación del aparato</i>	<b>30</b>
<i>Conexión eléctrica</i>	<b>31</b>
<i>Cable de extensión</i>	<b>31</b>
<i>Protector contra variaciones de corriente eléctrica</i>	<b>31</b>
<i>Alimentación de agua</i>	<b>32</b>
FUNCIONAMIENTO DEL APARATO	<b>33 – 34</b>
CUIDADO Y MANTENIMIENTO	<b>34 – 35</b>
<i>Fallo de alimentación</i>	<b>35</b>
<i>Tiempo de vacaciones</i>	<b>35</b>
<i>Para mover su aparato</i>	<b>35</b>
<i>Consejos para ahorrar energía</i>	<b>35</b>
GUÍA DE SOLUCIÓN DE PROBLEMAS	<b>36 – 37</b>
SERVICIO DEL APARATO	<b>38</b>
ESQUEMA DE CABLEADO	<b>38</b>
GARANTÍA "AVANTI PRODUCTS"	<b>39</b>
ENGLISH INSTRUCTIONS	<b>2 – 23</b>
REGISTRO DE GARANTÍA	<b>40 – 41</b>



## SEGURIDAD DEL APARATO

**Su seguridad y la seguridad de los demás son muy importantes.**

Hemos incluido muchos mensajes importantes de seguridad en este manual para su aparato. Lea y obedezca siempre todos los mensajes de seguridad.



Este es el símbolo de alerta de seguridad. Este símbolo le alerta sobre peligros potenciales que pueden ocasionar la muerte o daños a usted ya los demás. Todos los mensajes de seguridad irán a continuación del símbolo de advertencia de seguridad y de la palabra "PELIGRO", "ADVERTENCIA" o "PRECAUCIÓN".



"PELIGRO" significa que si no se respeta esta medida de seguridad podría resultar en lesiones personales graves o la muerte.



"ADVERTENCIA" significa que si no se respeta esta medida de seguridad podría resultar en daños extensa producto, lesiones personales graves o la muerte.



"PRECAUCIÓN" significa que si no se respeta esta medida de seguridad podría causar lesiones personales leves o moderadas, daños materiales o equipos.

Todos los mensajes de seguridad le alertará a saber qué peligro potencial, le dirán cómo reducir las posibilidades de lesiones, y le hará saber lo que puede suceder si las instrucciones no se siguen.

## GUÍAS DE SEGURIDAD IMPORTANTES



Antes de usar el aparato, debe tener la posición correcta y se instala como se describe en este manual, así que lea cuidadosamente el manual. Para reducir el riesgo de incendio, descarga eléctrica o lesiones personales al usar su aparato siga estas precauciones básicas, incluyendo las siguientes:

### **DANGER**

- Conecte a un contacto de 3 clavijas con conexión a tierra, no quite el terminal de conexión a tierra, no utilice un adaptador, y no use un cable de extensión.
- Se recomienda que se proporcione un circuito separado, que sirve sólo para su aparato. No usar un tomacorriente que no se puede apagar con un interruptor o cadena de tracción.
- Nunca limpie las partes del aparato con líquidos inflamables. Estos vapores pueden crear un peligro de incendio o explosión. Y no almacene ni use gasolina u otros vapores y líquidos inflamables en la proximidad de éste o cualquier otro aparato. Los vapores pueden crear un peligro de incendio o explosión.
- Antes de proceder a las operaciones de limpieza y mantenimiento, asegúrese de que la línea de alimentación de la unidad se desconecta.
- No conecte o desconecte el enchufe eléctrico con las manos mojadas.
- Desenchufe el aparato o desconecte la energía antes de la limpieza o el mantenimiento. El no hacerlo puede dar lugar a descargas eléctricas o muerte.
- No intente reparar o reemplazar cualquier parte de su aparato a menos que se recomiende específicamente en este manual. Cualquier otro servicio debe ser realizado por un técnico calificado.

### **WARNING**

#### **SIGA ADVERTENCIA ESCRITAS AQUÍ SÓLO CUANDO APLICABLE A SU MODELO**

- Use dos o más personas para mover e instalar el aparato. El no hacerlo puede resultar en la espalda u otro tipo de lesiones.
- Para asegurar la adecuada ventilación para su aparato, la parte frontal de la unidad debe estar completamente despejada. Elija un área bien ventilada con temperaturas superiores **(13 ° C) 55 ° F** y por debajo de 90 ° F (32 ° C). Esta unidad se debe instalar en un área protegida del elemento, como el viento, la lluvia, el goteo de agua.
- El refrigerico no debe colocarse cerca de hornos, parrillas u otras fuentes de calor.
- El aparato debe ser instalado con todas las conexiones eléctricas, de agua y de drenaje de acuerdo con los códigos estatales y locales. Se requiere un suministro de corriente estándar (115 V CA solamente, de 60 Hz), debidamente conectada a tierra de acuerdo con el Código Eléctrico Nacional y los códigos y ordenanzas locales.
- No doble ni apriete el cable de alimentación del aparato.
- El fusible (o disyuntor) tamaño debe ser de 15 amperios.
- Es importante que el aparato para ser nivelado para que funcione correctamente. Es posible que tenga que hacer varios ajustes para nivelarla.
- Toda la instalación debe realizarse de acuerdo con los requerimientos locales de plomería.
- Asegúrese de que los tubos no queden atrapados o doblado o dañado durante la instalación.
- Compruebe si hay fugas después de la conexión.
- Nunca permita que los niños manejen, jueguen o entren dentro del aparato.
- Si utiliza el recipiente de drenaje, debe establecer el drenaje interruptor de selección en la posición OFF o el agua se desborde del depósito de drenaje
- A pesar de que la unidad ha sido probado en la fábrica, debido al tránsito y almacenamiento a largo plazo, el primer lote de cubos debe ser desechado.
- No utilice productos de limpieza a base de solventes de abrasivos en el interior. Estos limpiadores pueden dañar o decolorar el interior.
- No utilice este aparato para propósitos distintos a los previstos.

---

## AYÚDANOS A AYUDARTE

### Lea detenidamente esta guía.

Se tiene la intención de ayudar a hacer funcionar y mantener su nuevo aparato correctamente.

Tenga a la mano para responder a sus preguntas. Si usted no entiende algo o necesita más ayuda, por favor llame al:

**Servicio al cliente de Avanti  
800-220-5570**

Mantenga comprobante de la fecha original de compra (como el recibo de venta) con esta guía para establecer el período de garantía.

### **PRECAUCIÓN:**

El aparato no está diseñado para el almacenamiento de medicinas o de otros productos médicos.

Anote el modelo y número de serie.

Los encontrará en una placa situada en la pared posterior del aparato.

Por favor, escriba estos números aquí:

\_\_\_\_\_  
Fecha de compra

\_\_\_\_\_  
Número de modelo

\_\_\_\_\_  
número de serie

Utilice estos números en cualquier correspondencia o llamadas de servicio en relación con el sistema.

Si usted recibió un dañado aparato, comuníquese inmediatamente con el distribuidor (o contratista) que le vendió el aparato.

Ahorre tiempo y dinero. Antes de acudir al servicio, verifique la guía de solución de problemas. En él se enumeran las causas de los problemas de funcionamiento de menor importancia que usted mismo puede corregir.

---

## Si usted necesita servicio

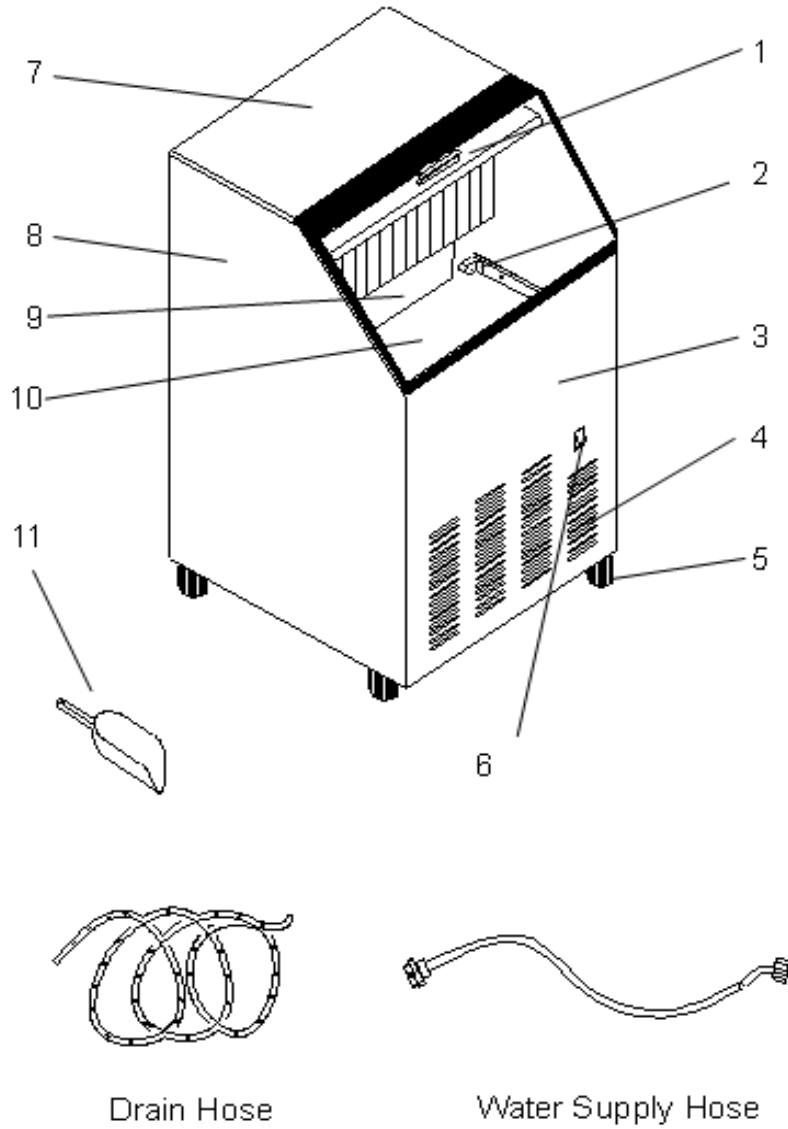
Estamos orgullosos de nuestro servicio y queremos que usted esté satisfecho. Si por alguna razón usted no está satisfecho con el servicio que recibe, aquí hay algunos pasos a seguir para obtener más ayuda.

PRIMERO, póngase en contacto con la gente que repararon su aparato. Explique por qué usted no está satisfecho. En la mayoría de los casos, esto va a resolver el problema.

SIGUIENTE, si todavía no está contento, escriba todos los detalles, incluyendo su número de teléfono y envíelos a:



Servicio al Cliente  
Avanti Products  
10880 NW 30 Street  
Miami, FL 33172  
EE.UU.

## PARTES Y CARACTERÍSTICAS



1	Puerta	7	Panel superior
2	Sensor	8	Panel lateral
3	Panel frontal	9	Canalón de agua
4	Parrilla de ventilación	10	Area de almacenamiento
5	Ruedas	11	Cucharón
6	Botón ON / OFF	Water Supply Hose	Manguera de alimentación de agua
		Drain Hose	Manguera para desagüe

## INSTRUCCIONES DE SEGURIDAD IMPORTANTES

 <b>PRECAUCIÓN</b> 	Para reducir el riesgo de incendio, descarga eléctrica, o daño cuando use su aparato, siga las siguientes precauciones.
---	---

### **Esta unidad es para uso en interiores - GUARDE ESTAS INSTRUCCIONES -**

- Leer todas las instrucciones antes de usar el aparato.
- **PELIGRO o ADVERTENCIA:** Riesgo de encierro para niños. Niños atrapados y sofocación no son problemas del pasado. Aparatos desechados o abandonados siguen siendo peligrosos. . . incluso si van a "sentarse en el garaje de unos pocos días".
- **Antes de deshacerse de su aparato viejo:** quite las puertas. Deje los estantes en su lugar para que los niños no puedan meterse con facilidad.
- Nunca permita que los niños manejen, jueguen o se arrastren dentro del aparato.
- Nunca limpie las piezas del aparato con líquidos inflamables. Los vapores pueden crear un peligro de incendio o explosión.
- No almacene ni use gasolina u otros vapores y líquidos inflamables en la proximidad de este o cualquier otro aparato. Los vapores pueden crear un peligro de incendio o explosión.

## INSTRUCCIONES DE INSTALACIÓN

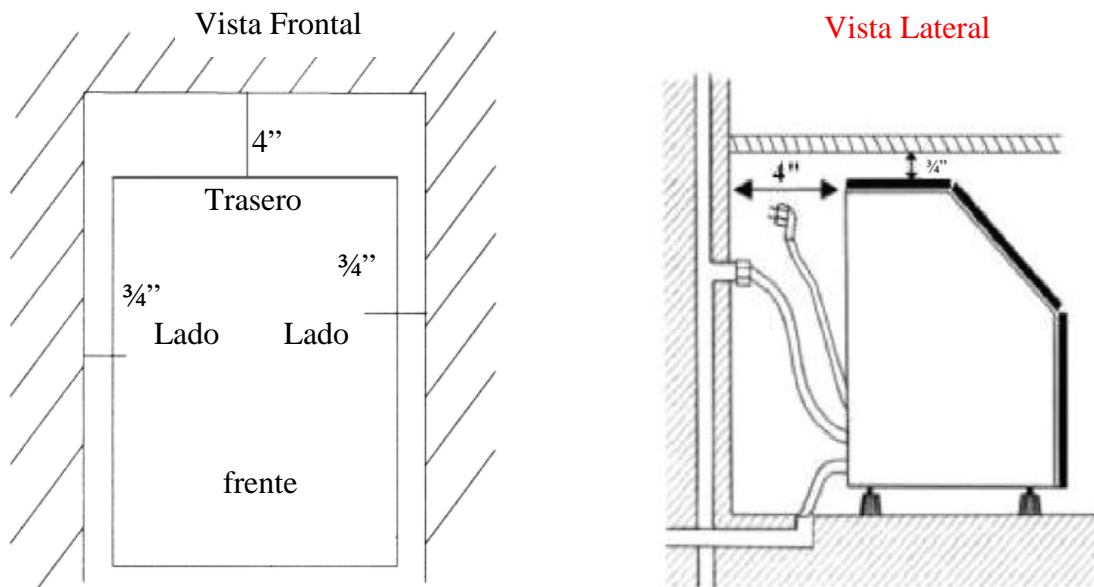
### ***Antes de usar el aparato***

- Retire la envoltura interna y externa.
- Verifique para asegurarse de que tiene todas las siguientes partes:
  - 1 Cucharón
  - 2 mangueras (1 para alimentación de agua / 1 para el desagüe)
  - Manual de Instrucciones
- Antes de conectar el aparato a la fuente de alimentación, es sugerido dejarlo en posición vertical durante aproximadamente 2 horas. Esto reducirá la posibilidad de un mal funcionamiento en el sistema de refrigeración del aparato de la manipulación durante el transporte.
- Limpie la superficie interior con agua tibia usando un paño suave.

## Instalación del aparato

- Este aparato debe ser instalado por un profesional. Este aparato debe estar instalado en conformidad con todas las regulaciones locales y estatales.
- Coloque la unidad en un piso que sea lo suficientemente fuerte para soportar la unidad cuando está completamente cargado. Para nivelar la unidad, ajuste las patas niveladoras en la parte inferior de la unidad.
- Deje un espacio de un mínimo de 4 pulgadas entre la parte posterior y un mínimo de una pulgada a los lados y panel superior de la unidad, lo que permite la circulación de aire necesaria para enfriar el compresor y el condensador.
- Coloque la unidad lejos de la luz solar directa y de fuentes de calor (estufa, calentador, radiador, etc.) La luz solar directa puede afectar a la capa de acrílico y las fuentes de calor puede aumentar el consumo eléctrico. Temperaturas ambientales extremadamente frías también pueden causar que la unidad no funcione correctamente.
- Evite colocar la unidad en áreas húmedas.

### Dimensiones requeridas para empotrar:



- La instalación de este aparato requiere una alimentación de agua por tubería de cobre flexible y válvula de seguridad con una conexión de 1/4 de pulgada.
- El aparato requiere una alimentación de agua continua con una presión de 15 psig y una presión estática que no excede 80 psig. La temperatura de la alimentación debe estar entre 41°F (5°C) y 77°F (25°C).

<b>Aviso</b>	<i>Uso del aparato bajo temperaturas fuera de los rangos recomendados puede afectar el funcionamiento del aparato.</i>
--------------	--

## **Conexión eléctrica**

### **⚡ PRECAUCIÓN ⚡**

La conexión incorrecta del conductor a tierra puede resultar en riesgo de descarga eléctrica. Si el cable de alimentación de la estufa o refrigerador está dañado, hágalo cambiar por un centro de servicio de Avanti Products.

Este aparato debe estar correctamente conectado a tierra para su seguridad. El cable eléctrico de este aparato está equipado con un enchufe de tres patas que se acopla con las tomas de corriente estándar de tres clavijas para minimizar la posibilidad de choque eléctrico.

Bajo ninguna circunstancia corte o quite la tercera clavija de tierra del cable de alimentación suministrado. Para su seguridad personal, este aparato debe estar correctamente conectado a tierra.

Este aparato requiere un 115/120 Volt AC ~ / 60Hz enchufe estándar de conexión eléctrica a tierra con tres clavijas. Haga revisar el tomacorriente y el circuito por un electricista calificado para asegurarse que el tomacorriente está conectado a tierra correctamente. Cuando se encuentra una toma de corriente estándar de 2 patas, es su responsabilidad y obligación reemplazarlo por un tomacorriente de 3 clavijas debidamente conectado a tierra.

El cable debe mantenerse detrás del aparato y no dejó la vista ni colgando para prevenir lesiones accidentales.

El aparato debe ser conectado siempre en su propio contacto eléctrico individual que tenga un voltaje que vaya de la placa de características del aparato. Esto proporciona el mejor rendimiento y también evitar la sobrecarga de los circuitos eléctricos de la casa que podrían causar un riesgo de incendio por sobrecalentado. Nunca desenchufe el aparato tirando del cable de alimentación. Siempre agarre firmemente el enchufe y tire derecho hacia afuera del tomacorriente. Repare o reemplace inmediatamente todos los cables eléctricos que se hayan desgastado o dañado. No utilice un cable que muestre grietas o raspaduras en toda su longitud o en cualquier extremo. Al mover el aparato, tenga cuidado de no dañar el cable de alimentación.

### **Cable de extensión**

Debido a peligros potenciales de seguridad bajo ciertas condiciones, se recomienda encarecidamente que no se utilice un cable de extensión con este aparato. Sin embargo, si debe utilizar un cable de extensión, es absolutamente necesario que sea un cable de UL / CUL 3 cables de extensión con puesta a tierra con enchufe con toma de tierra y la salida y que la clasificación eléctrica del cable sea de 115 voltios y al menos 10 amperios.

### **Protector contra sobretensiones**

La mayoría de los aparatos eléctricos utilizan una serie de tableros de control eléctrico para funcionar. Estas tarjetas son muy susceptibles a sobretensiones y podrían resultar dañados o destruidos.

Si el aparato no va a ser utilizado en un área o si su ciudad / país es propenso a subidas de tensión / interrupciones; se sugiere que utilice un protector contra sobrecargas de energía para todos los dispositivos / aparatos eléctricos que esté tomando. El estabilizador de tensión que usted seleccione debe tener un bloqueo suficientemente alto como para proteger el aparato está conectado a. Si usted tiene alguna pregunta relacionada con el tipo y tamaño de protector contra sobretensiones es necesario ponerse en contacto con un electricista calificado en su área.

Los daños debidos a las sobrecargas de energía no se considerará un defecto del fabricante cubierto y anulará la garantía del producto.

## **Alimentación de agua**

El aparato requiere una alimentación de agua continua con una presión de 15 psig y una presión estática que no excede 80 psig. La temperatura de la alimentación debe estar entre 41°F (5°C) y 77°F (25°C).

### **IMPORTANTE:**

1. *Se recomienda instalación por un profesional. Todas las conexions deben estar en conformidad con las reglas y regulaciones locales y estatales.*
2. *Este seguro que las mangueras no están dobladas o comprimidas durante la conexión.*
3. *Después inspecciona que no hay goteras de las conexiones.*

**Herramientas necesarias:** Llave de boquilla abierta de ½", destornillador tipo Phillips ( + ).

Como conectar la tubería de alimentación de agua:

1. **Apagar la válvula principal del suministro de agua. Abre el grifo para vaciar la tubería de suministro, cuando la tubería este vacía cierre el grifo.**
2. Busca una manguera (½" o ¾") en posición vertical cerca de la área de instalación. La distancia del aparato debe ser menos de 6 pies. La manguera que esta incluida con el aparato mide aproximadamente 6 pies.
3. Requiere una válvula de seguridad conectada al suministro principal de agua.
4. Enrosca un lado de la manguera al grifo y enrosca el otro lado al aparato. Apriete con la mano y luego con la llave.
5. Abre la válvula y inspecciona por goteras en las conexiones.

### **Desagüe**

*Se requiere conectar la manguera de desagüe al aparato antes de usarlo.*

**NOTA: Es recomendada usar un drenaje para el desagüe del aparato.**

1. Busca un drenaje cerca del aparato, la distancia debe de ser menos de 4.5 pies; la manguera de desagüe incluida con la unidad mide aproximadamente 4.85 pies.
2. Coloca un lado de la manguera en el drenaje y el otro lado se enrosca al lugar marcado "Drain".
3. Llena el aparato con un galón de agua e inspecciona por goteras.

**IMPORTANTE: Este aparato no es un congelador.**



## FUNCIONAMIENTO DEL APARATO

### **Descripción de las luces y botones :**

1. **Bin Full (Rojo)/(Gaveta Llena):** Indicador que el aparato está lleno y no continuará haciendo hielo.  
Cuando este alumbrado, significa que la gaveta de almacenaje esté llena. La unidad parará de hacer hielo hasta que se remueve hielo de la gaveta o se derriten lentamente los cubos.  
Cuando el nivel de cubos se baje, la luz roja titilará por aproximadamente 3 minutos y el aparato regresará al proceso de hacer hielo.
2. **Ice Making(Verde)/(Haciendo Hielo):** Indicador que el aparato está en el proceso de hacer hielo.  
Cuando este encendido el aparato está en proceso de hacer hielo.
3. **Ice Harvest (Amarillo)/(Guardando Hielo):**  
Cuando esté encendido, significa que el aparato esté en el proceso de pasar los cubos de hielo del evaporador hacia la gaveta de almacenaje.
4. **Mode (Modo):** Primariamente usado para servicio. Oprime el botón por aproximadamente 3 segundos para cambiar el proceso entre hacer hielo y guardar hielo.
5. **Adjust (Ajuste):** Primariamente usado para servicio. Oprime el botón por aproximadamente 3 segundos para cambiar el tamaño de los cubos.

### **Como cambiar el tamaño de los cubos:**

1. Oprime el botón por aproximadamente 3 segundos. El aparato entrará en modo de ajuste. La luz indicadora amarilla titilará continuo durante la selección del tamaño de los cubos.
2. Mientras que titila la luz amarilla oprime el botón marcado "Clean" ( - ) o "Mode" ( + ) para seleccionar el tamaño deseado.

### **Cubos de tamaño pequeño:**

Oprime el botón marcado "Clean" ( - ) hasta que alumbre la luz verde para seleccionar cubos pequeños.

### **Cubos de tamaño grande:**

Oprime el botón marcado "Mode" ( + ) hasta que alumbre la luz roja para seleccionar cubos grandes.

*Después de 10 segundos el aparato volverá al proceso de hacer hielo automáticamente.*

### **NOTA:**

- Si durante el proceso de seleccionar el tamaño de los cubos se alumbran las (3) tres luces a la vez, esto indica que el tamaño mediano está seleccionado.
- Cuando el aparato esté en el proceso de auto-limpieza, no permite ningun cambio al seleccion del tamaño de los cubos.

### **Como hacer hielo:**

1. Abre la válvula y deje que el canalón se llene de agua, luego oprime el botón marcado ON/OFF para encender la unidad. El aparato empezará automáticamente.
2. Después de 3 minutos, el aparato empezará hacer hielo y escuchará el sonido de agua fluyendo.
3. Cuando el hielo está formado completamente, los cubos caerán hacia la gaveta de almacenaje.
4. Cuando la gaveta de almacenaje esté llena, el aparato parará de hacer hielo automáticamente.
5. El aparato volverá hacer hielo cuando se remueve los cubos de la gaveta o se derriten lentamente.

### **IMPORTANTE:**

- Se recomienda botar los primeros cubos producido después de instalación.
- Nunca cierre la válvula mientras que la unidad esté produciendo hielo.
- Nunca tocar el evaporador mientras que la unidad esté produciendo hielo
- Mantener la puerta cerrada para evitar que el hielo se derrita y asegurar función eficiente del aparato.

### **CUIDADO Y MANTENIMIENTO**

#### **Como limpiar el aparato.**

Limpieza rutinaria asegurará eficiencia de función y v

#### **Nota importante:**

Nunca almacene artículos en la gaveta de almacenaje, el aparato no es un congelador. Objetos como botellas de vino o cerveza no son sanitarios y las etiquetas de las botellas pueden mojarse y caerse causando bloqueo en la manguera de desagüe.



#### **Limpieza de las partes exteriores**

La puerta y el gabinete se pueden limpiar con una solución de un detergente suave y agua tibia (por ejemplo 1 oz de jabón de lavar platos con 2 galones de agua tibia). No utilice químicos de limpieza con solventes o abrasivos. Utilice una esponja suave y enjuague con agua limpia.

#### **Limpieza del parte interior**

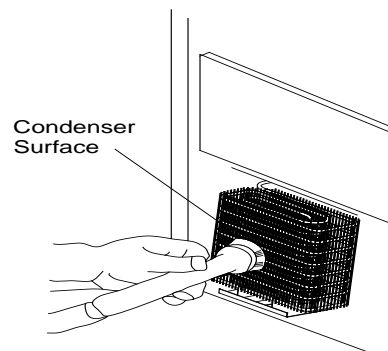
Se recomienda que se sanitiza y limpia la gaveta de almacenaje frecuentemente. Limpie el canalón de agua la primera vez que se usa y también después de tiempos largos sin uso.

1. Desconecta la unidad de la tomacorriente.
2. Remueva el hielo y limpia el interior de la unidad con una solución de 1 oz de cloro y 2 galones de agua caliente.
3. Remueva la manguera de desagüe del interior de la unidad.
4. Enjuague con agua limpia.
5. Después de drenar la unidad, instale la manguera de desagüe en su posición original
6. Conecte la unidad al tomacorriente.

## **Como limpiar el condensador**

Un condensador sucio impide la circulación del aire y reduce la capacidad de hacer hielo, y causa elevación de las temperaturas operativas que puede resultar en daños. Debe de limpiar el condensador cada seis meses.

1. Desconecte la unidad del tomacorriente.
2. Remueva la parrilla delantera.
3. Limpia el condesador con una aspiradora con broche
4. Instala la parrilla delantera
5. Conecta la unidad al tomacorriente, la unidad volverá a funcionar automáticamente.



## **Fallo de alimentación**

Usualmente la electricidad regresa en unas pocas horas sin afectar la temperatura de su aparato, siempre que la puerta no se abra muy frecuentemente. Si le va a faltar electricidad por un período de tiempo más largo, usted debe tomar los pasos apropiados para proteger sus alimentos.

## **Tiempo de vacaciones**

**Vacaciones cortas:** Deje la unidad en funcionamiento durante las vacaciones de menos de tres semanas.

**Vacaciones largas:** Si el aparato no va a utilizar durante varios meses, retire todos los alimentos y desenchufe el cable de alimentación. Limpie y seque bien el interior. Para evitar olores y humedad, deje la puerta levemente abierta: bloquéela de ser necesario

## **Para mover su aparato**

- Retire el hielo. Cierre la válvula de seguridad.
- Desconecte las mangueras de agua y desagüe.
- Asegúrese de colocar cinta adhesiva a todo lo que se puede caer dentro de su aparato.
- Retire las patas para prevenir que se dañen.
- Selle las puertas con cinta adhesiva.
- Asegúrese que el aparato se mantenga parado durante el traslado.

## **Consejos para ahorrar energía**

Su aparato debe estar ubicado en el área más fría de la habitación, alejado de aparatos que produzcan calor o conductos de aire caliente y lejos de los rayos solares.

## GUÍA DE SOLUCIÓN DE PROBLEMAS

Puede solucionar muchos problemas comunes de la unidad fácilmente, ahorrando el costo de una posible llamada de servicio. Pruebe las sugerencias a continuación para ver si puede resolver el problema antes de llamar al servicio técnico.

Problema	Causa posible	Probable corrección
La máquina no funciona.	La máquina está desenchufada.	Enchufe la máquina de hielo.
	El fusible está fundido.	Reemplace el fusible. Si sucede otra vez, llame al servicio verificar que un corto circuito en la unidad.
	El botón de encendido del fabricante de hielo está fijado en OFF.	El interruptor ice maker en ON.
	El recipiente de hielo está lleno de hielo.	Quite algunos cubitos de hielo. Asegúrese de que la sonda de lleno de hielo esté libre de hielo.
El agua no alimenta en después de la máquina.	El grifo de suministro de agua se apaga.	Abrir el grifo de suministro de agua.
	La tubería de suministro de agua no está conectada correctamente.	Vuelva a conectar la tubería de suministro de agua.
La máquina hace hielo, pero bin se llene con hielo.	El condensador puede estar sucio.	Limpiar el condensador.
	El flujo de aire a la máquina de hielo puede ser obstruido.	Revise la instalación.
	La temperatura ambiente y temperatura del agua son altos, o unidad está cerca de alguna fuente de calor.	Revise la instalación.
Agua gotea fuera de la unidad.	Agua cae al piso al abrir la puerta para retirar el hielo del recipiente de almacenamiento.	Condensación normal en la puerta o agua con hielo. Tenga cuidado al sacar hielo.
	Conexión de suministro de agua está goteando.	Apriete la conexión. Ver <i>conexión de la línea de agua</i> .
	Superior a la salida de desagüe de tubo de drenaje.	Tubo de drenaje inferior.

Cubos se terminan de formar o son de color blancos en la parte inferior.	No hay suficiente agua en el recipiente de agua.	Compruebe si la presión de suministro de agua es inferior a 15 psig.
		Verificar suministro de agua o filtro puede estar restringido.
		Si hay una fuga de agua en el recipiente de agua.
Ruidos durante el funcionamiento	Los pies no están nivelados y bloqueados.	Nivelar y trabar las patas. Véase <i>nivelación de la fábrica de hielo</i> .
	Ciertos sonidos son normales.	Ver <i>Sonidos normales</i> .
La fábrica de hielo se detiene bruscamente haciendo hielo.	La electricidad está apagada.	Vuelva a conectar la línea de alimentación.
	La temperatura ambiente está fuera del rango indicado.	Cortar la electricidad y salir de la fábrica de hielo desconectada hasta que la temperatura vuelva a dentro de la gama especificada.
	El recipiente de hielo está lleno de hielo.	Quite algunos cubitos de hielo; Asegúrese de que la sonda de lleno de hielo esté libre de hielo.
El cuerpo de la fábrica de hielo está vivo	La línea de tierra no está en el zócalo.	Utilizar un receptáculo que cumple con los requisitos de puesta a tierra.
Escala se produce con frecuencia dentro de la máquina.	El nivel de dureza del agua es demasiado alto.	Instalar un dispositivo de ablandamiento del agua frente a la entrada de agua.
Fugas de agua desde el recipiente de hielo	Drainhole debajo el recipiente de hielo está bloqueada.	Retire el recipiente de hielo y limpie el drainhole.
	La manguera de desagüe está retorcida o incorrectamente colocado más alta que el piso del recipiente de hielo.	Compruebe la manguera de desagüe para asegurarse de que el agua puede drenarse hacia fuera sin trabas.

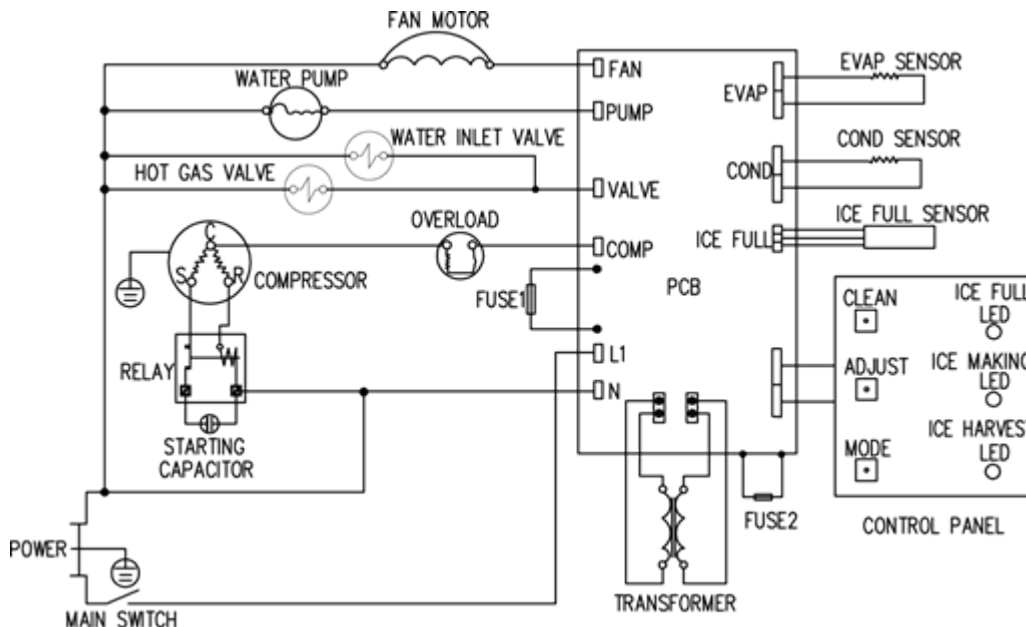
## SERVICIO DEL APARATO

Estamos orgullosos de nuestra organización de servicio al cliente y la red de técnicos de servicios profesionales que prestan servicio en sus Avanti Products aparatos. Con la compra de su Avanti Products dispositivo, puede estar seguro de que si alguna vez necesita información o asistencia adicional, el equipo de Servicio al Cliente de Avanti Products estará aquí para usted. Sólo tiene que llamar al número gratuito.

### *Servicio al Cliente del Avanti Products*

<p>Información sobre el producto 800-323-5029</p>	<p>Lo que sus preguntas son acerca de nuestros productos, la ayuda está disponible.</p>
<p>Pedidos de piezas 800-220-5570</p>	<p>Usted puede pedir piezas y accesorios que serán entregados directamente a su casa con un cheque personal, giro postal, Master Card, o Visa.</p>
<p>Servicio de reparación en casa 800-220-5570</p>	<p>Un centro de servicio autorizado de Avanti Products proporcionará el servicio de reparación de expertos, prevista en un momento que sea conveniente para usted. Nuestros técnicos se conocen nuestros productos de adentro hacia afuera.</p>

## ESQUEMA DE CABLEADO



# GARANTÍA "AVANTI PRODUCTS"

Grapa aquí su recibo de compra.

**Se necesita un comprobante de fecha de compra original para obtener servicio bajo garantía.**

## QUÉ ESTÁ CUBIERTO - LIMITADA DE UN AÑO GARANTÍA

Avanti Products garantiza que el producto está libre de defectos en materiales y / o mano de obra durante un periodo de doce (12) meses desde la fecha de compra por el propietario original. El tiempo mencionado arriba comienza a ejecutarse a partir de la fecha de compra y no se interrumpirá, dejará, extendida, o suspendido por cualquier motivo salvo que se describe en detalle en el documento de garantía. Durante un año a partir de la fecha de compra por el propietario original, productos de Avanti, a su elección, reparará o reemplazará cualquier parte del producto que demuestra ser defectuoso en material o mano de obra bajo condiciones normales de uso. Avanti Products de la semana con un producto parecido al original nuevo o restaurado de fábrica. Durante este período Avanti Products proporcionará todas las piezas y mano de obra necesarias para corregir tales defectos de forma gratuita, siempre y cuando el producto ha sido instalado y operado de acuerdo con las instrucciones escritas en este manual. En uso de alquiler o comercial, el período de garantía es de 90 días. Todos los electrodomésticos Avanti de 4.2 pies cúbicos de capacidad o menos deben ser llevados / enviado al centro de servicio del aparato para su reparación.

## SEGUNDO AL QUINTO AÑO - GARANTÍA LIMITADA

Para el segundo y hasta el quinto año a partir de la fecha de compra original, Avanti Products proporcionará un compresor de reemplazo de forma gratuita debido a un fallo. Usted es responsable de las cargas de trabajo y de carga de servicio. En uso de alquiler o comercial, la garantía limitada del compresor es de un año y nueve meses. Los costos involucrados para mover el producto al centro de servicio y de vuelta a la casa del usuario, ya que tal vez sea necesario, son responsabilidad del usuario.

## QUE NO ESTA CUBIERTO

La cobertura de la garantía descrita en este documento excluye todos los defectos o daños que no sean responsabilidad directa de Avanti Products, incluyendo, sin limitación, uno o más de los siguientes:

Un incumplimiento de cualquier estado, la localidad, ciudad o condado de electricidad, plomería y / o códigos de construcción, reglamentos o leyes, incluyendo la falta de instalar el producto en estricta conformidad con los códigos y reglamentos contra incendios y construcción.

Cualquier fuerzas externas, elemental y / o medio ambiente y los factores, incluyendo, sin limitación, lluvia, viento, arena, inundaciones, incendios, deslizamientos de lodo, temperaturas bajas extremas, humedad excesiva o exposición prolongada a la humedad, rayos, sobrecargas de energía, fallas estructurales alrededor del aparato y los actos de Dios.

- Las pérdidas de contenido de los alimentos o de otros contenidos por averías.
- Daños incidentales o consecuentes
- Las piezas y mano de obra para los siguientes no serán consideradas como garantía:
  - Puertas del evaporador, resortes de la puerta, y / o marcos.
  - Paneles interiores de las puertas, estantes de la puerta, rieles de las puertas, y / o la puerta apoya.
  - Gavetas para vegetales.
  - Los bombillos y / o caja de plástico.
  - Revestimientos del armazón de plástico.
  - Evaporador pinchado que anula la garantía del sistema de sellado completo.
- Los gastos de envío asociados a la sustitución de la unidad.
- Las reparaciones realizadas por administradores no autorizados.
- Las llamadas de servicio que están relacionados con los problemas externos, tales como abuso, mal uso, suministro eléctrico inadecuado, accidentes, incendios, inundaciones o cualquier otro acto de dios.
- Fallas del producto si es usado para otros propósitos de lo que pretende.
- Costos adicionales que incluyen, pero sin limitarse a, cualquier tras hora, de fin de semana o vacaciones de servicios de llamadas, peajes, pasajes de transporte o gastos de kilometraje para llamadas de servicio en áreas remotas.

La garantía no se aplica fuera de EE.UU.

En ningún caso Avanti Products no tiene ninguna obligación o responsabilidad alguna por daños a la propiedad circundante, incluyendo gabinetes, pisos, techos y otras estructuras y / o objetos que rodean al producto. También se excluyen de esta garantía las rayas, hendiduras, abolladuras menores y otros daños estéticos en superficies externas y partes expuestas; Productos en los que han sido alterados, adulterado o borrado el número de serie; visitas de servicio para la educación del cliente, o visitas donde no hay nada malo con el producto; corrección de los problemas de instalación (usted es el único responsable de cualquier estructura y entorno para el producto, incluyendo todas las instalaciones eléctricas, de fontanería y / o otras facilidades de conexión, para cimentación / pisos adecuados y para alteraciones incluyendo sin limitación gabinetes, paredes, pisos, estantes etc., así como el reajuste de interruptores o fusibles.

## PRODUCTO FUERA DE GARANTÍA

Avanti Products no tiene la obligación, por ley o de otro modo, para ofrecerle ninguna concesión, incluidos reparaciones, prorratesos-o reemplazo del producto, una vez que ha expirado la garantía.

## Registration Information

Thank you for purchasing this fine Avanti product. Please fill out this form and return it to the following address within 100 days from the date of purchase and receive these important benefits:

**Avanti Products, LLC.**  
**P.O.Box 520604 – Miami, Florida 33152**

➤ **Protect your product:**

We will keep the model number and date of purchase of your new Avanti product on file to help you refer to this information in the event of an insurance claim such as fire or theft.

➤ **Promote better products:**

We value your input. Your responses will help us develop products designed to best meet your future needs.

------(detach here)-----

### Avanti Registration Card

Name	Model #	Serial #
Address	Date Purchased	Store / Dealer Name
City            State            Zip	E-mail Address	
Area Code    Phone Number	Occupation	
<b>Did You Purchase An Additional Warranty</b> <input type="checkbox"/> Extended <input type="checkbox"/> None	<b>As your Primary Residence, Do You:</b> <input type="checkbox"/> Own <input type="checkbox"/> Rent	
<b>Reason for Choosing This Avanti Product:</b> Please indicate the most important factors That influenced your decision to purchase this product:	<b>Your Age:</b> <input type="checkbox"/> under 18 <input type="checkbox"/> 18-25 <input type="checkbox"/> 26-30 <input type="checkbox"/> 31-35 <input type="checkbox"/> 36-50 <input type="checkbox"/> over 50	
<input type="checkbox"/> Price <input type="checkbox"/> Product Features <input type="checkbox"/> Avanti Reputation <input type="checkbox"/> Product Quality <input type="checkbox"/> Salesperson Recommendation <input type="checkbox"/> Friend / Relative Recommendation <input type="checkbox"/> Warranty <input type="checkbox"/> Other: _____	<b>Marital Status:</b> <input type="checkbox"/> Married <input type="checkbox"/> Single	
Comments:	<b>Is This Product Used In The:</b> <input type="checkbox"/> Home <input type="checkbox"/> Business	
  	<b>How Did You Learn About This Product:</b> <input type="checkbox"/> Advertising <input type="checkbox"/> In-Store Demo <input type="checkbox"/> Personal Demo	



## REGISTRO DE GARANTIA

Gracias por comprar este electrodoméstico Avanti. Por favor llene este formulario y envíelo a la siguiente dirección dentro de los 100 días a partir de la fecha de compra y reciba estos beneficios importantes:

**Avanti Products, LLC.  
P.O.Box 520604 – Miami, Florida 33152**

- **Proteger do Producto:**  
Vamos a mantener el número de modelo y fecha de compra de su nuevo producto Avanti archivados para que pueda consultar esta información en caso de una reclamación de seguro como un incendio o robo.
- **Promover mejores productos:**  
Valoramos su opinión. Sus respuestas nos ayudarán a desarrollar productos diseñados para satisfacer mejor sus necesidades futuras.

------(CORTAR AQUI)-----

## REGISTRO DE CLIENTE

NOMBRE	No. de Modelo	No. de Serie
Dirección	Fecha de compra	Lugar de compra
Ciudad Postal      Estado      Codigo Postal	Correo electrónico	
Codigo de area      No. de telefono	Ocupación	
Compro Ud una garantía adicional? <input type="checkbox"/> Extendida <input type="checkbox"/> No	En su residencia primaria Ud: <input type="checkbox"/> Es dueño(a) <input type="checkbox"/> Alquila	
Cual fue su razon por elegir este producto Avanti: Por favor, detalla los factores más importantes que le influyó a comprar este producto:	Su edad: <input type="checkbox"/> menor de 18 <input type="checkbox"/> 18-25 <input type="checkbox"/> 26-30 <input type="checkbox"/> 31-35 <input type="checkbox"/> 36-50 <input type="checkbox"/> más de 50	
<input type="checkbox"/> Costo <input type="checkbox"/> Características del producto <input type="checkbox"/> Reputación de la empresa Avanti <input type="checkbox"/> Calidad del producto <input type="checkbox"/> Recomendado por el vendedor <input type="checkbox"/> Recomendado por un familiar o amistad <input type="checkbox"/> Garantía <input type="checkbox"/> Otro: _____	Estado civil: <input type="checkbox"/> Casado(a) <input type="checkbox"/> Soltero(a)	
Comentarios:	<b>Cual será el uso de este producto?</b> <input type="checkbox"/> En Casa <input type="checkbox"/> En oficina o área comercial	
	<b>Como llego Ud a conocer este producto:</b> <input type="checkbox"/> Publicidad <input type="checkbox"/> Demostraciones dentro de la tienda <input type="checkbox"/> Demostración personal	

**IM88CUE3S – 01/06/2016**

**PRINTED IN CHINA**