



Portable Room AIR CONDITIONER

SAFETY INFORMATION3

USING THE AIR CONDITIONER
Controls5

CARE AND CLEANING
Air Filter.....7

**INSTALLATION
INSTRUCTIONS**8

TROUBLESHOOTING TIPS.....12

WARRANTY.....15

CONSUMER SUPPORT16

OWNER'S MANUAL AND INSTALLATION INSTRUCTIONS

APCA08
APCA10

Write the model and serial numbers here:

Model # _____

Serial # _____

Find these numbers on a label on the side of the air conditioner.

THANK YOU FOR MAKING GE APPLIANCES A PART OF YOUR HOME.

Whether you grew up with GE Appliances, or this is your first, we're happy to have you in the family.

We take pride in the craftsmanship, innovation and design that goes into every GE Appliances product, and we think you will too. Among other things, registration of your appliance ensures that we can deliver important product information and warranty details when you need them.

Register your GE appliance now online. Helpful websites and phone numbers are available in the Consumer Support section of this Owner's Manual. You may also mail in the pre-printed registration card included in the packing material.



IMPORTANT SAFETY INFORMATION

READ ALL INSTRUCTIONS BEFORE USING THE APPLIANCE

IMPORTANT SAFETY INSTRUCTIONS

WARNING: To reduce the risk of fire, electrical shock, injury to persons, or damage when using the air conditioner, follow basic precautions, including the following:

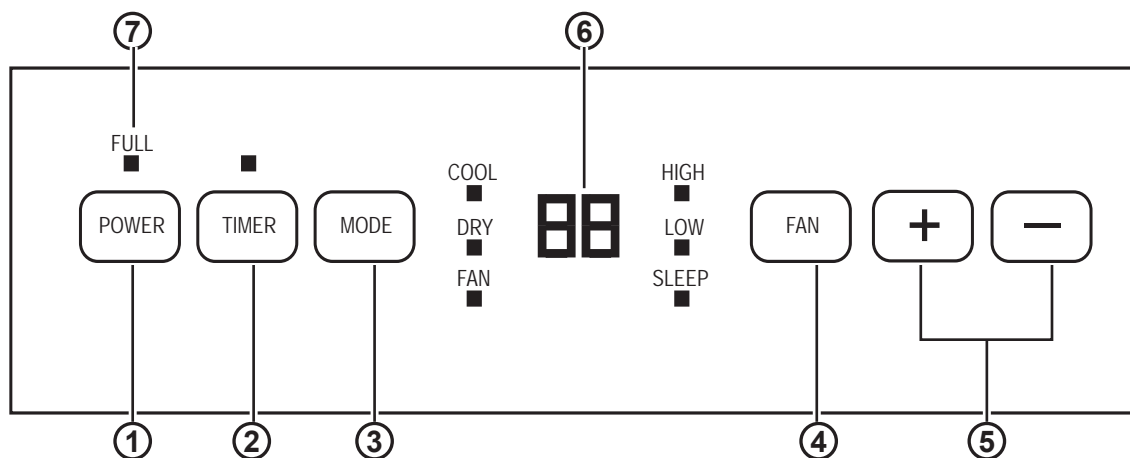
- Read all of the instructions before using this appliance.
 - Plug into a grounded 3 prong outlet.
 - Do not remove ground prong.
 - Do not use an adapter.
 - Do not use an extension cord.
 - Do not operate the air conditioner if it has a damaged cord or plug, if it is not working properly, or if it has been damaged or dropped.
 - The air conditioner should be serviced only by qualified service personnel. Call an authorized service company for examination, repair, or adjustment.
 - Disconnect power before servicing.
 - Disconnect power before cleaning.
- NOTE:** Turning off power by pressing the Power button does NOT disconnect the appliance from the power supply.
- Do not install or use the air conditioner in any area where the atmosphere contains combustible gases or where the atmosphere is contaminated. Avoid any chemicals coming in contact with your air conditioner.
 - Do not store anything directly on top of the air conditioner.
 - Use two or more people to move and install air conditioner.
 - Never operate the air conditioner without the filters in place.
 - Do not use the air conditioner near a bathtub, shower or wash basin or other wet area.

READ AND SAVE THESE INSTRUCTIONS

Controls

Features and appearance will vary.

Lights next to the touch pads on the air conditioner control panel indicate the selected settings.



Air Conditioner Controls

Controls

1. Power Control

The power control turns the unit on and off.

2. Timer

Auto Turn Off:

With machine in running mode, press timer button to select number of hours you would like the unit to run in air conditioning mode until it automatically shuts off.

Auto Turn On:

With machine in stand by mode, press timer button to select number of hours until you would like the unit to automatically start running in air conditioning mode.

3. Mode Control

The mode control has three settings: COOL, DRY, and FAN. The settings are adjusted with Mode Control button. A light will indicate which setting is currently being used.

Cooling Mode.

When cool mode is selected, the indicator light turns green. During the cooling mode the air is cooled and hot air is exhausted to the outside through the exhaust tube. Adjust fan speed and air temperature to suit your desired comfort level. **NOTE: The air exchange hose must vent outside the room when using cool mode.**

Dry Mode - Dehumidification.

When dehumidify mode is selected, the indicator light turns green. Air is dehumidified as it passes through the unit, without being in full cooling mode. If room temperature is higher than 77 degrees Fahrenheit, fan speed can be adjusted; otherwise fan speed is fixed to "Low". **NOTE: If the unit is to be used as a dehumidifier, do not connect the exhaust hose let the warm air return to the room. Continuous water drainage is then necessary (see page 8).**

Fan Mode

When fan mode is selected the indicator light will shine green. Air is circulated throughout the room with no cooling. **NOTE: Unit does not need to be vented in Fan mode.**

4. Fan Speed Control

The Fan Speed Control has 3 settings: High, Low, and Sleep.

5. Timer/Temp Set Controls

- Used for adjusting the timer and thermostat.
- The default display is room temperature.
- In cooling mode when + or - button is pressed, the set temperature is displayed and may be adjusted. After 10 seconds the display will revert back to room temperature. Temperature is only adjustable in cool mode. The time is adjustable between 1-24 hours.

NOTE: By pressing both + and - buttons at the same time, the display will toggle between Celsius and Fahrenheit. The temperature cannot be adjusted in the fan or dehumidification modes.

6. Display

7. Warning Light

Condensed water may accumulate in the unit. If the internal tank becomes full, the warning light will light up and the unit will not operate until the unit has been drained.

Controls

Remote Control

- To ensure proper operation, aim the remote control at the signal receiver on the air conditioner.
- Make sure nothing is between the air conditioner and the remote control that could block the signal.
- The remote control signal has a range of up to 20 feet.
- Make sure batteries are fresh and installed correctly as indicated on the remote control.

1. Power On/Off

2. Mode

- Cool: LED lights when in cooling mode.
- Dehumidification: LED lights when in dehumidification mode.
- Fan: LED lights when in fan mode.
- Heat: LED lights when in heat mode (applies only to heat and cool modes).

3. Fan Speeds

Select between multiple fan speeds. Number of fan speeds vary by model. In dehumidification mode, and room temperature is greater than 77° F, fan speed can be adjusted; Otherwise fan speed is fixed to "low".

4. On/Off Timer

To set the timer for a 1- 24-hour delay until the air conditioner turns off:

1. When you use the timer setting button while the unit is operating, you can preset a time for the unit to turn off.

2. When you use the timer setting button while the unit is on standby, you can preset a time for the unit to turn on.

3. If you press the "ON/OFF" button, the preset timer function will be canceled.

4. Timer setting range is 1-24 hours.

To clear Timer Delay program:

NOTE: Air conditioner can be either on or off.

1. Press the Timer Button.

2. Press the + or - buttons continuously till "00" appears to cancel the timer function.

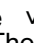
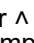
To change the remaining time (in hours):

1. Press the Timer Button.

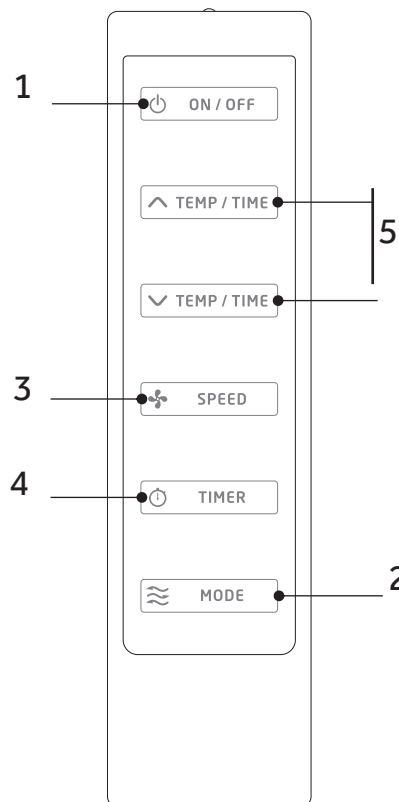
2. Press the plus or minus button to change the delay time from 1 to 24 hours.

3. The new delay time will display.

5. Setting the Temperature

To set the temperature, press the  or  keys to raise or lower the temperature. The temperature can be raised or lowered in the cool mode. The temperature cannot be adjusted in fan or dehumidification mode.

NOTE: The temperature can be set between 61° F to 89° F (Cool Mode).



Controls

The display will always default to show the room temperature.

When the air conditioner is turned on, it will automatically start in the last mode and fan settings selected.

Cool Mode

Use the COOL mode for cooling.

To set the COOL mode:

1. Press the **MODE** pad until the **COOL** indicator light is lit.
2. Press the **FAN** pad to set HIGH, LOW, or SLEEP fan speed.
3. Press **+ or -** to set the desired temperature between 61°F and 89°F in 1°F increments.

After settings have been made, the display will change back to show the room temperature.

The temperature control is used to maintain the room temperature. The compressor will cycle on and off to keep the room at the set level of comfort. Set the temperature control at a lower number and the indoor air will become cooler. Set the temperature control at a higher number and the indoor air will become warmer.

NOTE: If the air conditioner is off and is then turned on while set to COOL, it will take approximately 3 minutes for the compressor to start and cooling to begin.

Cooling Descriptions

For Normal Cooling—Select the COOL mode and HIGH or MEDIUM fan speed with a middle set temperature.

For Maximum Cooling—Select the COOL mode and HIGH fan speed with a lower set temperature.

For Quieter & Nighttime Cooling—Select the COOL mode and LOW fan speed with a middle set temperature.

NOTE: If you switch from COOL or DRY mode setting to OFF wait 3 minutes before restarting.

DRY Mode—Dehumidification

Use the DRY mode to provide dehumidification only. The fan will run at a fixed speed at this setting, so a fan speed cannot be set. Keep windows and doors closed for the best dehumidifying effects.

To set the DRY mode:

- Press the **MODE** pad until the DRY indicator light is lit.

In the DRY mode, a set temperature will not be displayed. After DRY mode has been set, the display will change back to show the room temperature.

NOTE: If you switch from a DRY setting to OFF or to a fan setting, wait at least 3 minutes before switching back to a DRY setting.

If using the unit in the DRY mode as a dehumidifier for an extended time.

1. Unplug the power cord.
 2. Connect a drain hose (not included) to the center drain port (see page 9, upper drain #8) and lead hose to floor drain.
 3. Reconnect the power cord and press the MODE pad until the DRY indicator light is lit.
-

FAN Mode

Use the FAN mode to provide air circulation and filtering without cooling.

To set the FAN mode:

- Press the FAN pad until the desired indicator light for HIGH, LOW, or SLEEP fan speed is lit.
-

Since fan only settings do not provide cooling, a set temperature will not be displayed. After FAN speed has been set, the display will change back to show the room temperature.

Power Outage Recovery Feature

In the case of a power outage or interruption, the unit will automatically re-start in the settings last used after the power is restored.

NOTE: If the TIMER was set before the power outage, it will need to be reset after power is restored.

Controls

Air Conditioner Use

IMPORTANT: If the air conditioner has been tilted on its side, wait 24 hours before turning on the air conditioner to allow the oil to return to the compressor. This will prevent the air conditioner from failing prematurely.

- Allow 20" (51 cm) of space around the unit for proper air circulation.
- Do Not operate the air conditioner without air filters in place.
- Do not spill liquid on the control panel; it may cause an electrical short to the interior electronic parts that would either disable them or cause them to function improperly.
- When turning on the air conditioner for the first time after plugging it into an electrical outlet, the unit will start in Cooling mode set at 75°F (24°C), and at High fan speed. The control panel will display the current room temperature.
- When turning on the unit after previous use, it will remember the last settings used.
- After a normal shut down, please wait for 3 minutes before restarting the unit.
- In Cooling mode, this unit should not require water to be removed. This model has a unique design that continuously evaporates the water.
- When the unit is operated in high humidity conditions, you may need to empty the water tank periodically.
- The unit will shut down automatically when the water tank is full. The Water Full indicator illuminates to alert you of this condition.

Care and Cleaning

CLEANING

⚠ WARNING



Electrical Shock Hazard

Disconnect power before cleaning.

Failure to do so can result in death or electrical shock.

1. Unplug or disconnect power.
2. Use only a soft cloth dampened with water to clean the cabinet.

NOTE:

- Do not use a liquid or spray cleaner to clean the air conditioner.
- DO NOT use chemicals, abrasives, ammonia, chlorine bleach, concentrated detergents, solvents or scouring pads. Some of these chemicals/items may damage and/or discolor your air conditioner.

3. Dry thoroughly with a soft cloth.
4. Plug in or reconnect power.

Air Filter

The air filters should be cleaned at least once a week for your unit to operate at optimum efficiency.

⚠ CAUTION

DO NOT operate the air conditioner without a filter because dirt and lint will clog it and reduce performance.

To remove:

1. Unplug or disconnect power.
2. Pull on the tabs to slide out the filters from the back of the air conditioner.

NOTE: The secondary filters are accessible once the main filters are removed.

3. Wash or vacuum the dust from the air filters.

NOTE: If washed, gently shake the filter to remove the excess water and dust particles trapped in the filter.

4. Reinstall the filters.
5. Plug in or reconnect power.

Internal Water Tank

The Water Full indicator illuminates, when the internal water tank has filled with condensed water.

To Empty the Internal Water Tank:

1. Unplug or disconnect power.
2. Place a shallow 1 quart or larger pan (not included) below the lower drain located on the back (near the bottom) of the air conditioner.

3. Remove the cap and the rubber plug and drain the water tank.
4. Re-insert the drain plug and screw the cap snugly into place.
5. Plug in or reconnect power.

Storage

If the unit is not being used for a long period of time:

To Empty the Internal Water Tank:

1. Unplug or disconnect power.
2. Drain the water from the water tank. (See "Internal Water Tank section" above.)

3. Use the original packaging to repack the unit to avoid a buildup of dust or dirt.
4. Store the air conditioner in a cool, dry location.

How to Insert the Batteries in the Remote Control

1. Remove the battery cover by sliding it according to the arrow direction.
2. Insert new batteries, making sure that the (+) and (-) of battery are installed correctly.
3. Reattach the cover by sliding it back into position.

NOTES:

- Use 2 "AAA" (1.5 volt) alkaline batteries. Do not use rechargeable batteries.
- Remove the batteries from the remote control if the system is not going to be used for a long time.
- Do not mix old and new batteries. Do not mix alkaline, standard (carbon-zinc) or rechargeable (ni-cad, ni-mh, etc) batteries.

Installation Instructions

Questions? Call GE Appliances at 800.GE.CARES (800.432.2737) or visit our Website at: GEAppliances.com.
In Canada, call 1.800.561.3344 or visit our Website at: www.GEAppliances.ca

BEFORE YOU BEGIN

Read these instructions completely and carefully.

- **IMPORTANT** — Save these instructions for local inspector's use.
- **IMPORTANT** — Observe all governing codes and ordinances.
- **Note to Installer** – Be sure to leave these instructions with the Consumer.
- **Note to Consumer** – Keep these instructions for future reference.
- **Skill level** – Installation of this appliance requires basic mechanical skills.
- **Completion time** – Approximately 1 hour
- We recommend that two people install this product.
- Proper installation is the responsibility of the installer.
- Product failure due to improper installation is not covered under the Warranty.
- You **MUST** use all supplied parts and use proper installation procedures as described in these instructions when installing this air conditioner.

⚠ CAUTION

Do not, under any circumstances, cut or remove the third (ground) prong from the power cord.

Do not change the plug on the power cord of this air conditioner.

Aluminium house wiring may present special problems—consult a qualified electrician.

Power cord includes a current interrupter device. A test and reset button is provided on the plug case. The device should be tested on a periodic basis by first pressing the TEST button and then the RESET button while plugged into the outlet. If the TEST button does not trip or if the RESET button will not stay engaged, discontinue use of the air conditioner and contact a qualified service technician.

ELECTRICAL REQUIREMENTS

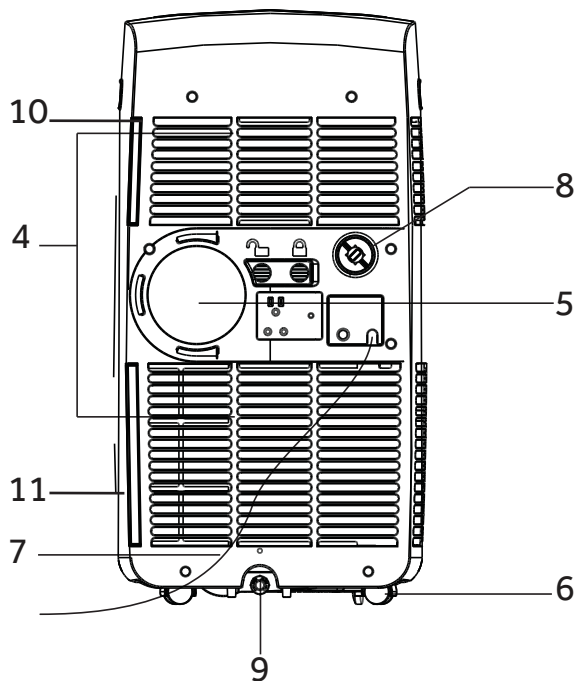
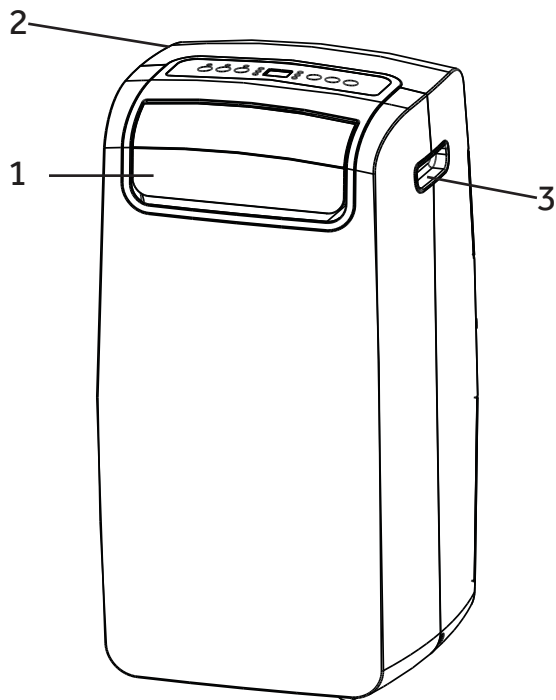


Some models require a 115/120-volt AC, 60-Hz grounded outlet protected with a 15-amp time-delay fuse or circuit breaker.

The 3-prong grounding plug minimizes the possibility of electric shock hazard. If the wall outlet you plan to use is only a 2-prong outlet, it is your responsibility to have it replaced with a properly grounded 3-prong wall outlet.

Installation Instructions

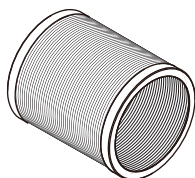
PARTS INCLUDED (Appearance may vary)



- 1. Air Outlet
- 2. Control Panel
- 3. Handle
- 4. Air Inlet
- 5. Air Exhaust
- 6. Caster

- 7. Power Cord
- 8. Upper Drain
- 9. Lower Drain
- 10. Upper Filter
- 11. Lower Filter

NOTE: Please ensure if the water outlet drain is securely installed before use.



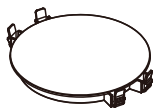
Exhaust Hose



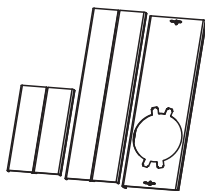
Hose Connector



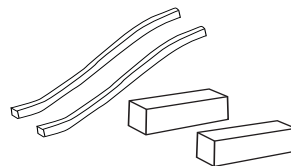
Hose Connector



Cover #5



Window Panel and Extension Panel (3)



Foam Seals

Installation Instructions

1. LOCATION REQUIREMENTS

- Place the air conditioner on a flat, level surface in a location that is at least 20" (51 cm) from any wall.
NOTE: The recommended distance from the window for optimal performance is 31.5 (80 cm).
- Maintain a minimum 20" (51 cm) clearance around the air conditioner to not block airflow.
- Keep the air conditioner free of any obstructions such as drapes, curtains, blinds, etc.
- The exhaust hose should be free of any obstructions.
- Do not place the air conditioner on an unstable or raised surface because it could fall and cause damage or injury.
- Do not place the air conditioner in direct sunlight or near a heat source such as baseboard heaters, stoves, etc.
- The window panel can be installed in a window with a minimum 20" (51 cm) to a maximum 46" (117 cm) opening.

2. UNPACK AIR CONDITIONER

⚠ WARNING

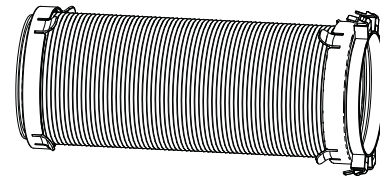
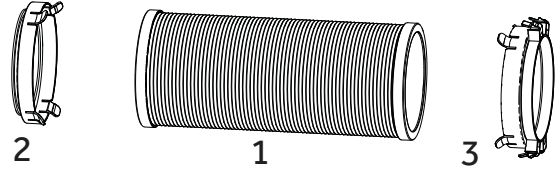
Excessive Weight Hazard

Use two or more people to move and install air conditioner.
Failure to do so can result in back or other injury.

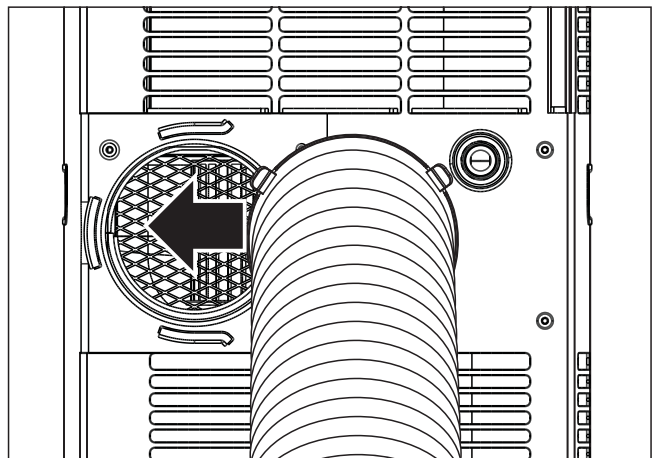
- Remove packaging materials. Save the carton and the foam packaging for storing the air conditioner when not in use.
NOTE: There are NO packing materials inside the air conditioner to remove—Do Not open the cabinet.
- Properly dispose of/recycle all packing material.
- Handle the air conditioner gently.
- Keep the air conditioner upright and level. Do not set the air conditioner on its side, front, back or upside down.

3. INSTALL EXHAUST

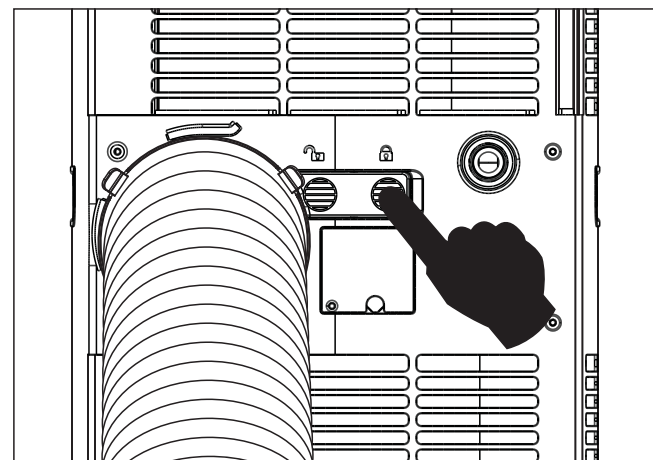
- A. Connect the connectors #2 and #3 to two sides of exhaust hose #1 to create an exhaust assembly.



- B. Sliding in one end of hose assembly (with hose connector #2) to rear panel.



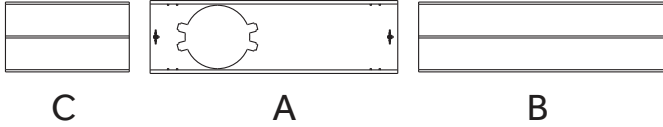
Then push the rocker switch to fix the hose assembly firmly.



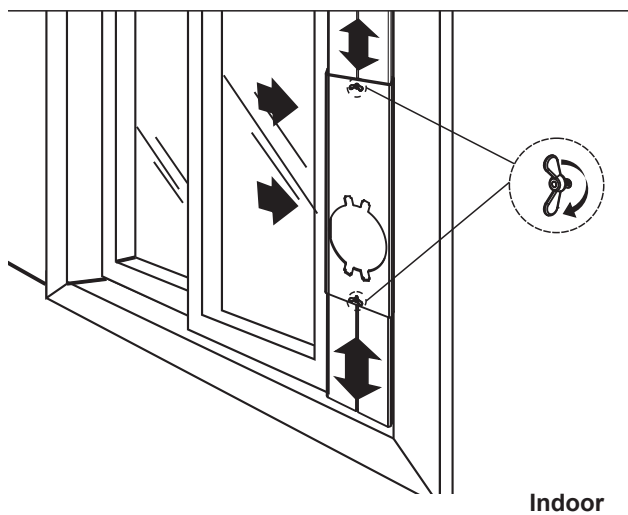
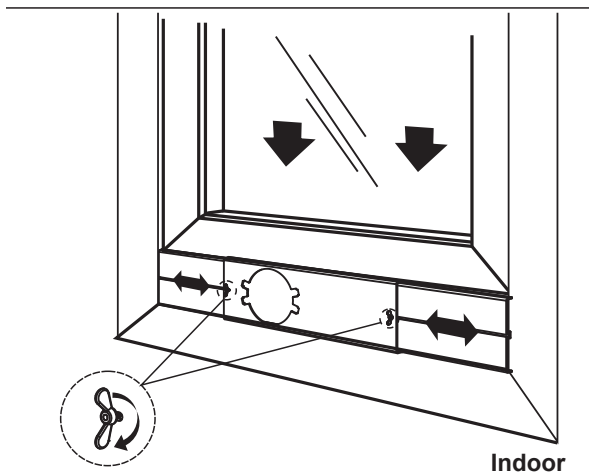
Installation Instructions

4. INSTALL WINDOW PANELS

A. Insert the window panel B and C to each end of the main panel A. Adjust to fix the length of window

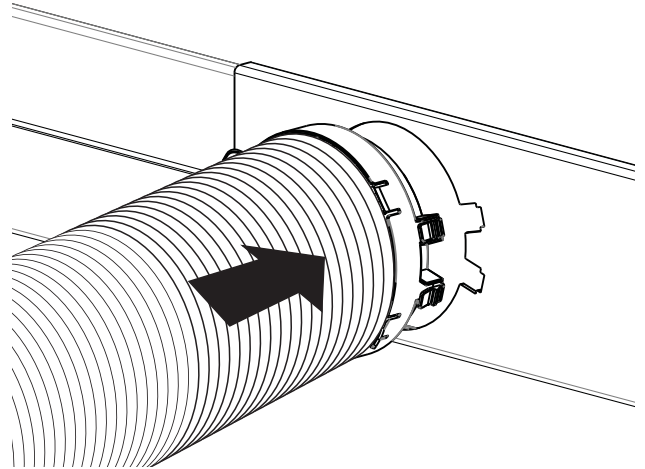


- B. Open the window and place window panels into window. Adjust the extension panels to fit width or height of window by the screw and nut sets mounted on the main panel A.
- C. Apply foam seals provided to top, bottom, and ends of the window panel to provide best air seal.



5. ATTACH EXHAUST HOSE TO THE EXHAUST NOZZLE

- Insert the other end of the exhaust hose assembly (with hose connector #3) onto the window bracket.



6. COMPLETE INSTALLATION

⚠ WARNING



Electrical Shock Hazard

Plug into a grounded 3 prong outlet.
Do not remove the ground prong from the power cord plug.
Do not use an adapter.
Do not use an extension cord.
Failure to do so can result in death, fire or electrical shock.

- Plug the power cord into a grounded 3 prong outlet.
- Press the Reset button on the power cord to ensure the safety plug is providing power to the air conditioner.
- Allow 20" of space around the unit for proper air circulation.
- When removing the portable air conditioner for storage, the window panel may be left in place. Simply place the cover (#5) over the hole on the window panel.

Troubleshooting Tips

PROBLEM	POSSIBLE CAUSE(S)	SOLUTION
Unit does not start or operate	Power supply cord is not plugged into an outlet.	Plug the power cord into a grounded 3 prong outlet.
	Power supply cord has tripped.	Press and release the RESET button on the power supply cord.
	The Power button has not been pressed.	Press the Power button on the Control Panel or Remote Control to turn ON the air conditioner.
	There is no power to the electrical outlet.	Plug a working lamp into the outlet to check for power.
	A household fuse has blown or a circuit breaker has tripped.	Replace the fuse or reset the circuit breaker.
	The control was programmed for a Time Delay.	Cancel the Time Delay. See "Control Panel."
	The batteries in the remote control are dead.	Replace the batteries.
	The internal water tank is full. NOTE: The air conditioner automatically turns off, and the Water Full indicator illuminates to alert you of this condition.	Empty the water tank. See "Air Conditioner Care."
Remote control is not working	Batteries are dead.	Replace the batteries.
	Batteries are installed incorrectly.	Make sure the batteries are inserted in the correct position.
Air conditioner is working but the room is not cooling.	The room temperature is hot. NOTE: On extremely hot and humid days, the air conditioner will take longer to cool the room.	Allow time for the room to cool when you first turn on the unit. Make sure the air conditioner has an adequate BTU rating for the size of the room being cooled.
	The control is set incorrectly to Fan or Dehum mode.	Set the Mode to Cool and the Fan Speed to High.
	Airflow is restricted.	Remove any obstacles to the airflow and redirect airflow for uniform cooling.
	Temperature set too high.	Lower the set temperature.
	Air filters are dirty or restricted.	Clean the air filter. See "Air Conditioner Care."
	Air conditioner installed incorrectly	Check the exhaust hose and window panel for proper installation.
	Doors and windows are open.	Close the doors and windows to the room being cooled to prevent cooled air from escaping.

Warranty

For The Period Of:	Will Replace:
One Year From the date of the original purchase	Replacement, repair, or refund of the original retail price for any product which fails due to a defect in materials or workmanship. If the unit is exchanged, the replacement unit is warranted for the remainder of your product's original one-year warranty period. GE will, at its sole discretion, replace the product with a product of the same or comparable functionality and quality or refund the original retail price.

In Order to Make a Warranty Claim During the First 90 Days from the Date of Original Purchase:

- Properly pack your unit. We recommend using the original carton and packing materials.
- Return the product to the retail location where it was purchased.
- Include in the package a copy of the sales receipt or other evidence of date of original purchase. Also print your name and address and a description of the defect.

In Order to Make a Warranty Claim During the Remainder of the One-Year Warranty:

- Locate your original sales receipt and make a note of your model and serial number.
- Call 1.877.337.3639 (in the United States) to initiate the product replacement process. In Canada, call 1.877.470.9174.
- You will be asked to provide your name, address, date of purchase, model and serial number.
- GE Appliances will arrange for a carton to be sent to your home to recover the product.
- Please return all requested materials (postage pre-paid) in the carton provided. Please include a description of the defect.
- You should receive your replacement product or refund within 7 to 10 business days after your package is received.

What Will Not Cover:

- Customer instruction. This owner's manual provides information regarding operating instructions and user controls.
- Improper installation. If you have an installation problem, or if the air conditioner is of improper capacity, contact your dealer or installer. You are responsible for providing adequate electrical connecting facilities.
- Failure of the product resulting from modifications to the product or due to unreasonable use including failure to provide reasonable and necessary maintenance.
- Replacement of house fuses or resetting of circuit breakers.
- Failure due to corrosion on models not corrosion-protected.
- Damage to the product caused by improper power supply voltage, accident, fire, floods or acts of God.
- Incidental or consequential damage caused by possible defects with this air conditioner.
- Damage caused after delivery.

EXCLUSION OF IMPLIED WARRANTIES - Your sole and exclusive remedy is product repair as provided in this Limited Warranty. Any implied warranties, including the implied warranties of merchantability or fitness for a particular purpose, are limited to one year or the shortest period allowed by law.

For US Customers: This warranty is extended to the original purchaser and any succeeding owner for products purchased for home use within the USA. If the product is located in an area where service by a GE Appliances Authorized Servicer is not available, you may be responsible for a trip charge or you may be required to bring the product to an Authorized GE Appliances Service location for service. In Alaska, the warranty excludes the cost of shipping or service calls to your home.

Some states do not allow the exclusion or limitation of incidental or consequential damages. This warranty gives you specific legal rights, and you may also have other rights which vary from state to state. To know what your legal rights are, consult your local or state consumer affairs office or your state's Attorney General.

Warrantor US:
GE Appliances, a Haier company

Staple your receipt here. Proof of the original purchase date is needed to obtain service under the warranty.

Consumer Support

GE Appliances Website

Have a question or need assistance with your appliance? Try the GE Appliances Website 24 hours a day, any day of the year! You can also shop for more great GE Appliances products and take advantage of all our on-line support services designed for your convenience. In the US: **GEAppliances.com**

Register Your Appliance

Register your new appliance on-line at your convenience! Timely product registration will allow for enhanced communication and prompt service under the terms of your warranty, should the need arise. You may also mail in the pre-printed registration card included in the packing material. In the US: **GEAppliances.com/register**

Parts and Accessories

Individuals qualified to service their own appliances can have parts or accessories sent directly to their homes (VISA, MasterCard and Discover cards are accepted). Order on-line today 24 hours every day. In the US: **GEApplianceparts.com** or by phone at 877.959.8688 during normal business hours.

Instructions contained in this manual cover procedures to be performed by any user. Other servicing generally should be referred to qualified service personnel. Caution must be exercised, since improper servicing may cause unsafe operation.

Contact Us

If you are not satisfied with the service you receive from GE Appliances, contact us on our Website with all the details including your phone number, or write to:

In the US: General Manager, Customer Relations | GE Appliances, Appliance Park | Louisville, KY 40225
GEAppliances.com/ge/service-and-support/contact.htm



ACCONDICIONADORES DE AIRE PARA SALA

INSTRUCCIONES DE SEGURIDAD3

USO DEL ACONDICIONADOR DE AIRE
 Controle.....5

CUIDADO Y LIMPIEZA
 Filtro de aire7

INSTRUCCIONES DE INSTALACIÓN8

SOLUCIONAR PROBLEMAS12

GARANTÍA15

SERVICIO AL CONSUMIDOR ...16

MANUAL DEL PROPIETARIO Y INSTRUCCIONES DE INSTALACIÓN

APCA08
APCA10

Escriba los números de modelo y serie aquí:

de Modelo _____

de Serie _____

Puede encontrar estos números en una etiqueta en el costado del acondicionador de aire.

GRACIAS POR HACER QUE GE APPLIANCES SEA PARTE DE SU HOGAR.

Ya sea que haya crecido usando GE Appliances, o que ésta es su primera vez, nos complace tenerlo en la familia.

Sentimos orgullo por el nivel de arte, innovación y diseño de cada uno de los electrodomésticos de GE Appliances, y creemos que usted también. Entre otras cosas, el registro de su electrodoméstico asegura que podamos entregarle información importante del producto y detalles de la garantía cuando los necesite.

Registre su electrodoméstico GE ahora a través de Internet. Sitios Web y números telefónicos útiles están disponibles en la sección de Soporte para el Consumidor de este Manual del Propietario.

También puede enviar una carta en la tarjeta de inscripción preimpresa que se incluye con el material embalado.



GE APPLIANCES

INFORMACIÓN IMPORTANTE DE SEGURIDAD

LEA TODAS LAS INSTRUCCIONES ANTES DE USAR

INSTRUCCIONES IMPORTANTES DE SEGURIDAD

ADVERTENCIA: Para reducir el riesgo de incendio, choque eléctrico, lesiones a personas o daños al utilizar el acondicionador de aire, siga precauciones básicas, incluyendo las siguientes:

- Lea todas las instrucciones antes de usar este electrodoméstico.
- Conecte a un contacto de pared de conexión a tierra de 3 terminales.
- No quite el terminal de conexión a tierra.
- No use un adaptador.
- No use un cable eléctrico de extensión.
- No ponga a funcionar el acondicionador de aire si tiene un cable o enchufe dañado, si no funciona correctamente o si se ha dañado o caído.
- El acondicionador de aire solo debe ser reparado por personal de servicio competente. Llame a la compañía de servicio técnico autorizada para su inspección, reparación o ajuste.
- Desconecte el suministro de energía antes de darle servicio técnico.
- Desconecte el suministro de energía antes de limpiarlo..

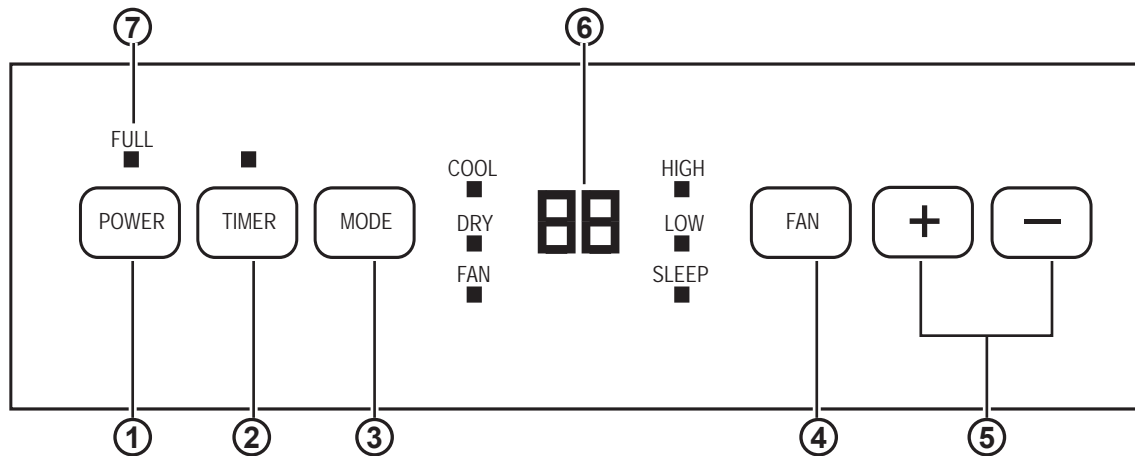
NOTA: Si apaga la unidad presionando el botón Power (Encendido), esto NO desconecta el electrodoméstico del suministro de energía.

- No instale ni utilice el acondicionador de aire en áreas donde la atmósfera contenga gases combustibles o donde la atmósfera esté contaminada. Evite que cualquier producto químico entre en contacto con el acondicionador de aire.
- No almacene nada directamente encima del acondicionador de aire.
- Con la ayuda de dos o más personas, mueva e instale el acondicionador de aire.
- Nunca haga funcionar el acondicionador de aire si los filtros de aire no están colocados en su lugar.
- No utilice el acondicionado de aire cerca de una tina, ducha o lavabo ni otra zona húmeda.

LEA Y GUARDE ESTAS INSTRUCCIONES

Controles

Las luces al lado de las teclas de toque en el panel de control del acondicionador de aire indicarán los ajustes seleccionados. Las funciones y el aspecto pueden variar.



Controles del acondicionador de aire

BOTONES

1. Control del encendido

El control del encendido enciende y apaga la unidad.

2. Temporizador

Apagado Automático:

Con el motor en el modo de funcionamiento, presione el botón del temporizador para seleccionar la cantidad de horas que desea que la unidad funcione en el modo de acondicionador de aire hasta que se apague de forma automática.

Encendido Automático:

Con el motor en el modo de espera, presione el botón del temporizador para seleccionar la cantidad de horas que desea que pasen hasta que la unidad comience a funcionar de forma automática en el modo de acondicionador de aire.

3. Control de Modo

El control de modo posee tres configuraciones: COOL (Refrigeración), DRY (Seco), y FAN (Ventilación). Las configuraciones son ajustadas con el botón Mode Control (Control de Modo). Una luz indicará qué configuración está siendo usada actualmente.

Modo de Refrigeración

Cuando el modo de refrigeración sea seleccionado, la luz indicadora cambiará a verde. Durante el modo de refrigeración, el aire es enfriado y el aire caliente es extraído hacia afuera a través de las tuberías del extractor. Ajuste la velocidad del ventilador y la temperatura del aire hasta el nivel de confort deseado. **NOTA: La manguera de intercambio de aire deberá ventilar hacia afuera de la sala al usar el modo de refrigeración.**

Modo Seco - Deshumidificación

Cuando el modo de deshumidificación sea seleccionado, la luz indicadora cambiará a verde. El aire es deshumidificado al pasar a través de la unidad, sin estar en el modo de refrigeración total. Si la temperatura del ambiente es superior a 77 grados Fahrenheit, la velocidad del ventilador podrá ser ajustada; de otro modo la velocidad del ventilador es ajustada en "Low" (Bajo). **NOTA: Si la unidad será usada como deshumidificador, no conecte la manguera del extractor; permita que el aire caliente regrese a la sala. El drenaje de agua continuo será entonces necesario (consulte la página 8).**

Modo de Ventilación

Cuando el modo de ventilación sea seleccionado, la luz indicadora brillará de color verde. El aire circulará a través de toda la sala sin refrigeración. **NOTA: No es necesario que la unidad sea ventilada en el modo Fan (Ventilación).**

4. Control de Velocidad del Ventilador

El Control de Velocidad del Ventilador cuenta con 3 configuraciones: High (Alto), Low (Bajo), y Sleep (Inactivo).

5. Controles de Configuración del Temporizador/ Temperatura

- Se usan para ajustar el temporizador y el termostato.
- La pantalla por omisión es la temperatura del ambiente.
- Cuando el botón + o - sea presionado en el modo de refrigeración, la temperatura configurada será exhibida y podrá ser ajustada. Luego de 10 segundos, la pantalla regresará a la temperatura del ambiente. La temperatura sólo podrá ser ajustada en el modo de refrigeración. La hora podrá ser ajustada entre 1 y 24 horas.

NOTA: Al presionar los Botones + y - al mismo tiempo, la pantalla alternará entre Celsius y Fahrenheit. La temperatura no podrá ser ajustada en los modos de ventilación o deshumidificación.

6. Pantalla

7. Luz de Advertencia

Se podrá acumular agua condensada en la unidad. Si el tanque interno se llena, la luz de advertencia se iluminará y la unidad no funcionará hasta que la misma haya sido drenada.

Contrôles

Control Remoto

- Para garantizar una operación apropiada, oriente el control remoto hacia el receptor de señal del acondicionador de aire.
- Cerciórese de que no haya nada entre el acondicionador de aire y el control remoto que pueda bloquear la señal.

- El receptor de señal tiene un rango máximo de 20 pies.
- Cerciórese de que las baterías sean frescas y se instalen correctamente según se indica en el control remoto.
- El control remoto cuenta con un imán que permite adherirlo a superficies metálicas.

1. Mise en marche (ON) ou en arrêt (OFF)

2. Mode

Refroidissement : Témoins DEL bleus en mode refroidissement.

Déshumidification : Témoins DEL jaunes en mode déshumidification.

Ventilateur : Témoins DEL verts en mode ventilateur.

3. Vitesses de ventilateur

Sélectionnez entre plusieurs vitesses de ventilateur. Le nombre de vitesses de ventilation varie selon le modèle. En mode déshumidification, si la température de la pièce est supérieure à 77° F, on peut modifier la vitesse du ventilateur; sinon cette vitesse est fixée à « basse ».

4. Minuterie de mise en marche/arrêt

Pour régler un délai de minuterie de 1 à 24 heures avant la mise à l'arrêt du climatiseur :

1. Lorsqu'on utilise le bouton de réglage de la minuterie pendant que l'appareil fonctionne, on peut prérégler un délai de mise à l'arrêt de l'appareil.
2. Lorsqu'on utilise le bouton de réglage de la minuterie pendant que l'appareil est en mode veille, on peut indiquer un délai de remise en marche de l'appareil.
3. Si l'on presse le bouton ON/OFF (marche/arrêt), le réglage de minuterie en cours sera annulée.
4. La plage de réglage de la minuterie s'étend de 1 à 24 heures.

Pour effacer la programmation des délais de minuterie

REMARQUE: Le climatiseur peut être en marche ou en arrêt.

1. Appuyer sur le bouton TIMER(minuterie).
2. Presione los botones o-continuamente hasta que aparezca "00" para cancelar la función del temporizador.

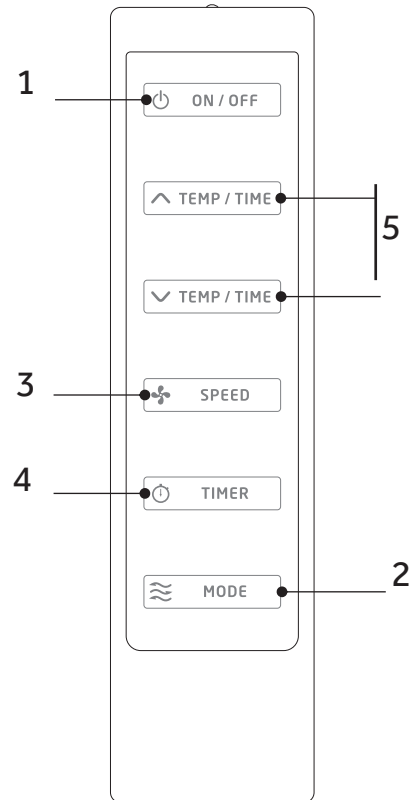
Pour modifier le temps restant (en heures) :

1. Appuyer sur le bouton TIMER.
2. Appuyer sur le bouton « plus » ou « moins » pour modifier le délai de 1 à 24 heures.
3. Le nouveau délai s'affichera.

5. Régler la température.

Pour régler la température, appuyer sur le bouton ^ ou v pour abaisser ou élever la température. On peut modifier la température en mode refroidissement, mais cela est impossible dans les modes ventilateur et déshumidificateur.

REMARQUE : La température peut se régler entre 61° F et 89° F (mode refroidissement).



Controles

La pantalla siempre mostrará la temperatura del ambiente por omisión.

Cuando el acondicionador de aire sea encendido, se iniciará de forma automática en las configuraciones de modo y ventilación que fueron usadas por última vez.

Modo de Refrigeración

Use el modo COOL (Refrigeración) para enfriar.

Para configurar el modo COOL (Refrigeración):

1. Presione la tecla MODE (Modo) hasta que la luz indicadora de COOL (Refrigeración) esté encendida.
2. Presione la tecla FAN (Ventilador) para configurar la velocidad del ventilador en HIGH (Alto), LOW (Bajo), o SLEEP (Inactivo).
3. Presione + o – para configurar la temperatura deseada entre 61°F y 89°F por incrementos de 1°F.

Una vez aplicadas las configuraciones, la pantalla volverá a mostrar la temperatura ambiente.

El control de temperatura se usa para mantener la temperatura del ambiente. El compresor realizará el ciclo de encendido y apagado para mantener la sala en el nivel de confort configurado. Configure el control de temperatura en un número más bajo, y el aire interior comenzará a ser más frío. Configure el control de temperatura en un número más alto, y el aire interior comenzará a ser más caliente.

NOTA: Si el acondicionador de aire está apagado y luego es encendido en la configuración COOL (Refrigeración), pasarán aproximadamente 3 minutos hasta que el compresor se inicie y comience la refrigeración.

Descripciones de Refrigeración

Para un Enfriamiento Normal—Seleccione el modo COOL (Refrigeración) y la velocidad del ventilador en HIGH (Alto) o MEDIUM (Medio) con una temperatura en la configuración intermedia.

Para un Enfriamiento Máximo—Seleccione el modo COOL (Refrigeración) y la velocidad del ventilador en HIGH (Alto) con una temperatura en una configuración baja.

Para un Enfriamiento Más Suave y Nocturno—Seleccione el modo COOL (Refrigeración) y la velocidad del ventilador en LOW (Bajo) con una temperatura en la configuración intermedia.

NOTA: Si pasa de la configuración del modo COOL (Refrigeración) o DRY (Seco) a OFF (Apagado), espere 3 minutos antes de realizar el reinicio.

Modo DRY (Seco) - Deshumidificación

Use el modo DRY (Seco) sólo para aplicar la deshumidificación. El ventilador funcionará en una velocidad fija en esta configuración, de modo que no será posible configurar la velocidad de la ventilación. Mantenga las ventanas y puertas cerradas para lograr los mejores efectos de deshumidificación.

Para configurar el modo DRY (Seco):

• Presione la tecla MODE (Modo) hasta que la luz indicadora de DRY (Seco) esté encendida

En el modo DRY (Seco), no se mostrará una temperatura configurada. Una vez configurado el modo DRY (Seco), la pantalla volverá a mostrar la temperatura ambiente.

NOTA: Si pasa de una configuración de DRY (Seco) a OFF (Apagado) o a una configuración del ventilador, espere por los menos 3 minutos antes de volver a pasar a una configuración de DRY (Seco).

Si usará la unidad en el modo DRY (Seco) como deshumidificador durante un período de tiempo prolongado:

1. Desenchufe el cable de corriente.
2. Conecte una manguera de drenaje (no incluida) al puerto de drenaje central (consulte la página 9, drenaje superior nº 8) y una manguera principal al drenaje del piso.
3. Vuelva a conectar el cable de corriente y presione la tecla MODE (Modo) hasta que la luz indicadora de DRY (Seco) esté encendida.

Modo de Ventilación

Use el modo FAN (Ventilación) para brindar circulación de aire y filtrar sin refrigerar.

Para configurar el modo FAN (Ventilación):

- Presione la tecla FAN (Ventilación) hasta que la luz indicadora deseada de velocidad en HIGH (Alto), LOW (Bajo), o SLEEP (Inactivo) esté encendida.

Debido a que las configuraciones de sólo ventilador no brindan refrigeración, no será exhibida una temperatura configurada. Una vez configurada la velocidad de FAN (Ventilación), la pantalla volverá a mostrar la temperatura ambiente.

Función de Recuperación por Corte de Suministro

En caso de corte de suministro o interrupción, la unidad se reiniciará de forma automática en las configuraciones usadas por última vez una vez restablecido el servicio.

NOTA: Si TIMER (Temporizador) fue configurado antes del corte de corriente, será necesario reiniciar el mismo una vez restablecido el servicio.

Uso del Acondicionador de Aire

IMPORTANT : Si le climatiseur a été incliné sur le côté, patienter 24 heures avant de le remettre en marche pour laisser le temps à l'huile de rejoindre le compresseur. Cela évitera au climatiseur de tomber en panne prématurément.

- Laisser un dégagement de 20" (51 cm) autour de l'appareil pour permettre à l'air de circuler correctement.
- Ne Pas faire fonctionner le climatiseur si les filtres à air ne sont pas en place.
- Ne pas renverser de liquide sur le tableau de commande; cela pourrait provoquer un court-circuit électrique vers les composants électroniques intérieurs et entraîner leur désactivation ou leur dysfonctionnement.
- Lorsque l'on allume le climatiseur pour la première fois après l'avoir branché sur une prise électrique, l'appareil démarre en mode de refroidissement réglé sur 75 °F (24 °C), et sur une vitesse de ventilateur élevée. Le tableau de commande affiche la température actuelle de la pièce.
- Lorsque l'appareil est rallumé, les réglages précédemment utilisés sont mémorisés.
- Après avoir éteint l'appareil selon la procédure normale, attendre 3 minutes avant de redémarrer l'appareil.
- En mode de refroidissement, il n'est pas nécessaire de retirer de l'eau de l'appareil. Ce modèle unique a été conçu de manière à évaporer l'eau de façon continue.
- Lorsque l'appareil fonctionne dans un environnement très humide, il peut être nécessaire de vider le réservoir d'eau régulièrement.
- L'appareil s'éteint automatiquement lorsque le réservoir d'eau est plein. À ce moment-là, le témoin Water Full (réservoir d'eau plein) s'allume pour vous avertir.

Cuidado y Limpieza

NETTOYAGE

⚠ AVERTISSEMENT



Risque de choc électrique

Déconnecter la source de courant électrique avant le nettoyage.

Le non-respect de cette instruction peut causer un décès ou un choc électrique.

1. Desenchufe o desconecte el suministro de energía.
2. Utilice solamente un paño suave humedecido con agua para limpiar el gabinete.

NOTA:

- No utilice un limpiador líquido o con rociador para limpiar el acondicionador de aire.
 - NO utilice productos químicos, abrasivos, amoníaco, blanqueador con cloro, detergentes concentrados, solventes o estropajos de metal. Algunos de estos artículos/productos químicos pueden dañar y/o decolorar su acondicionador de aire.
3. Seque bien con un paño suave.
 4. Enchufe o vuelva a conectar el suministro de energía.

FILTRES À AIR

Les filtres à air doivent être nettoyés au minimum une fois par semaine pour que l'appareil fonctionne à un niveau d'efficacité optimal.

⚠ PRECAUCIÓN

Ne Pas faire fonctionner le climatiseur si les filtres à air ne sont pas en place.

Para eliminar:

1. Desenchufe o desconecte el suministro de energía.
2. Jale de las lengüetas para deslizar los filtros de la parte posterior del acondicionador de aire.

NOTA: Los filtros secundarios son accesibles una vez que se quitan los filtros principales.

3. Lave o aspire el polvo de los filtros de aire.

NOTA: Si se lavan, agite suavemente el filtro para eliminar el exceso de agua y las partículas de polvo atrapadas en el filtro.

4. Vuelva a instalar los filtros.
5. Enchufe o vuelva a conectar el suministro de energía.

RÉSERVOIR D'EAU INTERNE

Le témoin Water Full (réservoir d'eau plein) s'allume lorsque le réservoir d'eau interne est rempli d'eau de condensation.

Vidage du réservoir d'eau interne :

1. Débrancher ou déconnecter la source de courant électrique.
2. Placer un récipient creux d'une capacité minimale de 1 pinte (non inclus) sous l'orgie de vidange inférieur situé à l'arrière du climatiseur (près du fond).

3. Retirer le capuchon et le bouchon en caoutchouc et vidanger le réservoir d'eau.
4. Réinstaller le bouchon de vidange et visser solidement le capuchon.
5. Brancher l'appareil ou reconnecter la source de courant électrique.

RANGEMENT

Lors de longues périodes infantilisation de l'appareil :

1. Débrancher ou déconnecter la source de courant électrique.
2. Vidanger l'eau du réservoir d'eau. Voir "Entretien du climatiseur".

3. Mettre l'appareil dans son emballage d'origine pour éviter une accumulation de poussière ou de saleté.
4. Entreposer le climatiseur dans un endroit frais et sec.

Cómo insertar las pilas en el control remoto

1. Retire la cubierta de la pila deslizándola de acuerdo con la dirección de la flecha.
2. Inserte pilas nuevas cerciorándose de que los polos positivos (+) y negativos (-) están orientados correctamente.
3. Coloque la cubierta otra vez deslizándola en su lugar.

NOTAS:

- Use 2 pilas alcalinas "AAA" de 1,5 voltios. No use pilas recargables.
- Retire las pilas del control remoto si no va a usar el sistema por un período prolongado.
- No mezcle baterías nuevas y viejas. No mezcle baterías alcalinas, estándar (carbono-cinc) o recargables (ni-cad, ni-mh, etc).

Instrucciones de instalación

¿Preguntas? Llame a GE Appliances al 800.GE.CARES (800.432.2737) o visite nuestro sitio web en: GEAppliances.com. En Canadá, llame al 1.800.561.3344 o visite nuestro Sitio Web en: www.GEAppliances.ca

ANTES DE INICIAR

Lea estas instrucciones completa y cuidadosamente.

- **IMPORTANTE** — Guarde estas instrucciones para uso del inspector local.
- **IMPORTANTE** — Observe todos los códigos y órdenes de ley.
- **Nota al instalador** – Asegúrese de dejar estas instrucciones con el consumidor.
- **Nota al consumidor** – Conserve estas instrucciones para referencia futura.
- **Nivel de destreza** – La instalación de este aparato requiere de destrezas mecánicas básicas.
- **Tiempo de ejecución** – Aprox. 1 hora
- Recomendamos dos personas para la instalación de este producto.
- La instalación apropiada es la responsabilidad del instalador.
- La falla del producto debido a una instalación inadecuada no está cubierta por la garantía.
- Cuando instale este acondicionador de aire, DEBE usar todas las piezas suministradas y usar procedimientos adecuados de instalación.

⚠ PRECAUCIÓN

Bajo ninguna circunstancia corte o remueva la tercera púa (conexión a tierra) del cable eléctrico.

No cambie el enchufe en el cable eléctrico de este acondicionador de aire.

Los cables caseros de aluminio podrían presentar problemas especiales. Consulte a un técnico electricista calificado.

El cable de alimentación incluye un dispositivo para interrupción de corriente. Se incluye un botón de prueba y de reinicio en el dispositivo. El dispositivo debe ponerse a prueba periódicamente: primero se presiona el botón de TEST (prueba) y luego RESET (reinicio) mientras se encuentra enchufado al tomacorriente. Si el botón TEST no se dispara o si el botón RESET no queda enganchado, deje de utilizar el acondicionador de aire y comuníquese con un técnico calificado.

Requisitos eléctricos



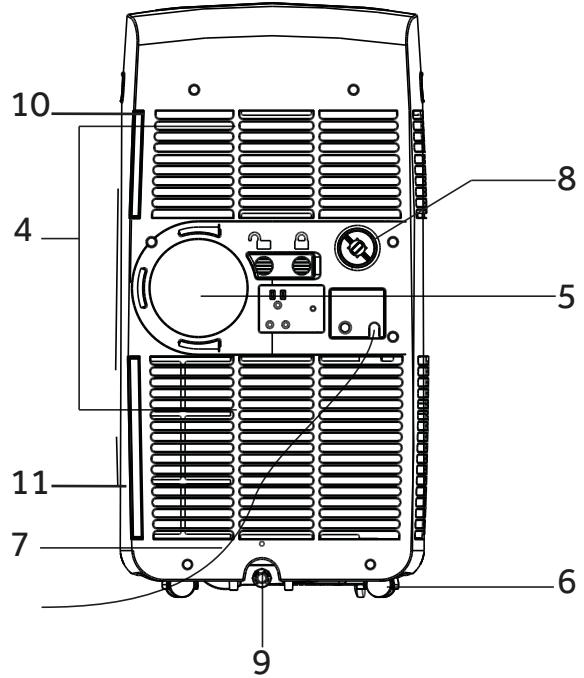
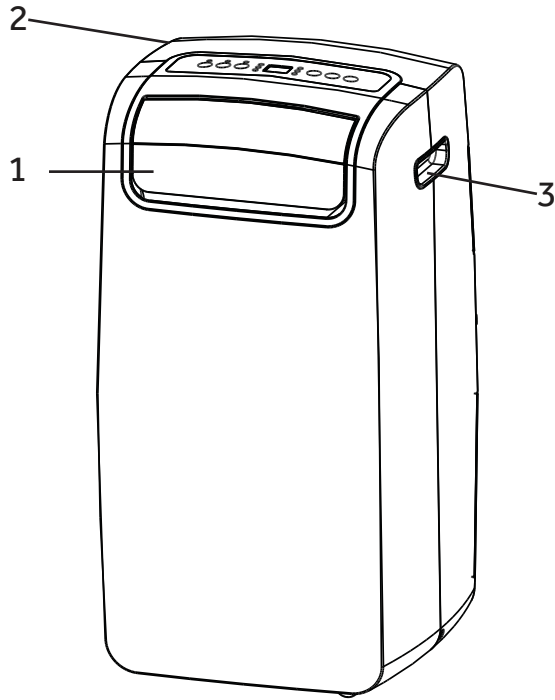
Algunos modelos requieren tomacorrientes de 115/120 voltios de corriente alterna y 60 Hz conectados a tierra, protegidos con un fusible de dilatación de tiempo de 15 amperios o un cortacircuitos.

El enchufe de tres púas con conexión a tierra minimiza la posibilidad de descargas eléctricas. Si el tomacorriente de la pared que usted planea usar solamente tiene 2 tomas, es su responsabilidad hacer que un técnico lo reemplace por uno de tres tomas con conexión a tierra.

Instrucciones de instalación

PARTES INCLUIDAS

(Apariencia puede variar)

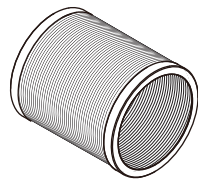


- 1. Salida de Aire
- 2. Panel de Control
- 3. Manija
- 4. Entrada de Aire
- 5. Salida de Aire
- 6. Ruedita
- 7. Cable de Corriente

- 8. Drenaje Superior
- 9. Drenaje Inferior

NOTA: Por favor, asegúrese de que el drenaje de la salida de agua se encuentre instalado de forma segura antes de su uso.

- 10. Filtro Superior
- 11. Filtro Inferior



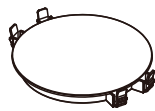
Tuyau d'évacuation



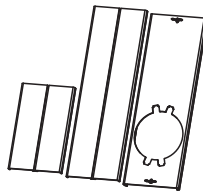
Raccord de tuyau



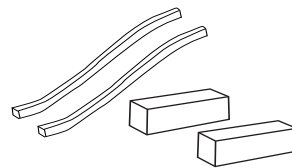
Raccord de tuyau



Couvercle #5



Panneau de fenêtre et
panneau de rallonge (3)



Selladores de
gomaespuma

Instrucciones de instalación

1. EXIGENCES D'EMPLACEMENT

- Placer le climatiseur sur une surface plane et horizontale à une distance de 20" (51 cm) au minimum de tout mur.

NOTE: La distance recommandée par rapport à la fenêtre pour une performance optimale est de 31,5" (80 cm).

- Maintenir un dégagement de 20" (51 cm) au minimum autour du climatiseur an de ne pas entraver la circulation d'air.
- Ne pas obstruer le climatiseur de quelque manière que ce soit (rideaux, stores, etc).
- Le tuyau d'évacuation doit être dégagé de toute obstruction.
- Ne pas placer le climatiseur sur une surface instable ou surélevée. Celui-ci pourrait basculer et occasionner des dommages ou des blessures.
- Placer le climatiseur à l'abri de la lumière directe du soleil ou d'une source de chaleur (plinthes chauvantes, cuisinières, etc).
- Le panneau de fenêtre peut être installé sur une fenêtre d'une ouverture de 20" (51 cm) minimum à 46" (117 cm) maximum.

2. DÉBALLAGE DU CLIMATISEUR

⚠ AVERTISSEMENT

Risque du poids excessif

Utiliser deux ou plus de personnes pour déplacer et installer le climatiseur.

Le non-respect de cette instruction peut causer une blessure au dos ou d'autres blessures.

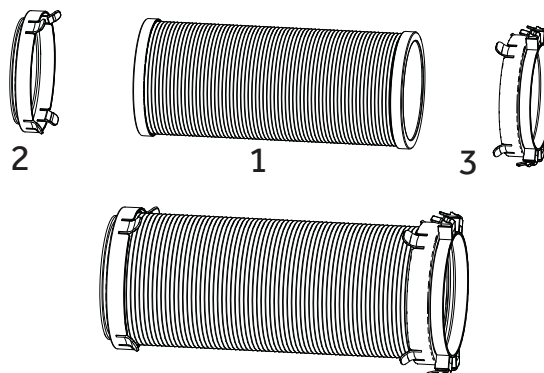
- Enlever les matériaux d'emballage. Conserver le carton et le polystyrène d'emballage pour entreposer le climatiseur lorsqu'il n'est pas utilisé.

REMARQUE : Il n'y a AUCUN matériau d'emballage à retirer à l'intérieur du climatiseur - Ne pas ouvrir la caisse.

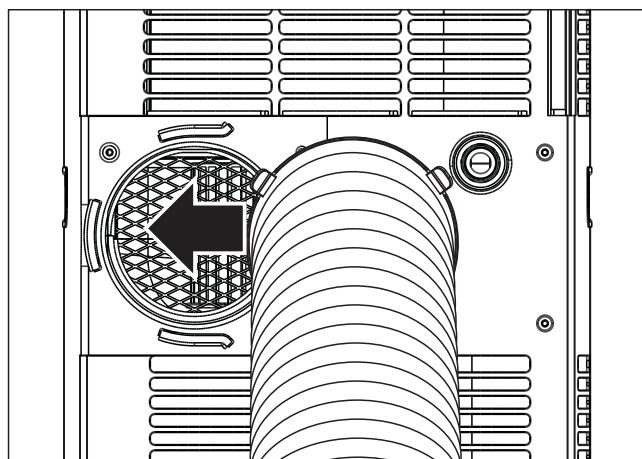
- Jeter/recycler tous les matériaux d'emballage de manière adéquate.
- Manipuler le climatiseur délicatement.
- Garder le climatiseur debout et d'aplomb. Ne pas placer le climatiseur sur le flanc, sur l'avant, sur le dos ou à l'envers.

3. INSTALLATION DU TUYAU D'ÉVACUATION

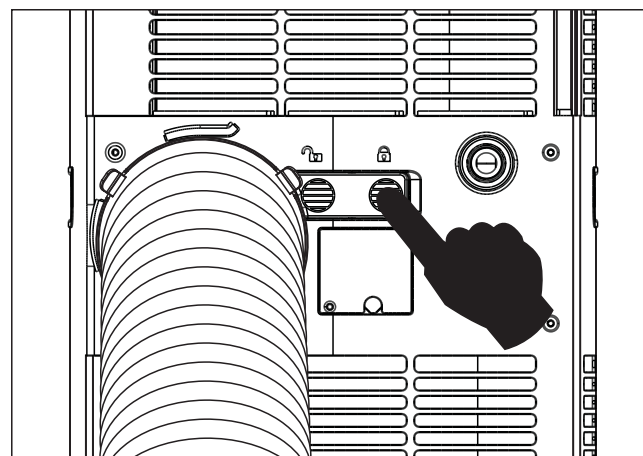
- A. Connecter les raccords no2 et no3 sur les deux extrémités du tuyau d'évacuation no1 pour assembler le tuyau d'évacuation.



- B. Glisser une extrémité du tuyau d'évacuation assemblé (avec le raccord no 2) sur le panneau arrière.



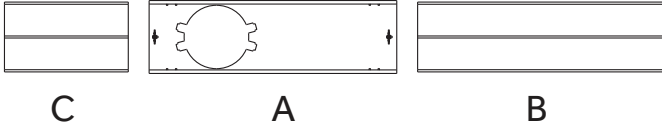
Puis pousser l'interrupteur à bascule pour fixer solidement le tuyau d'évacuation..



Instrucciones de instalación

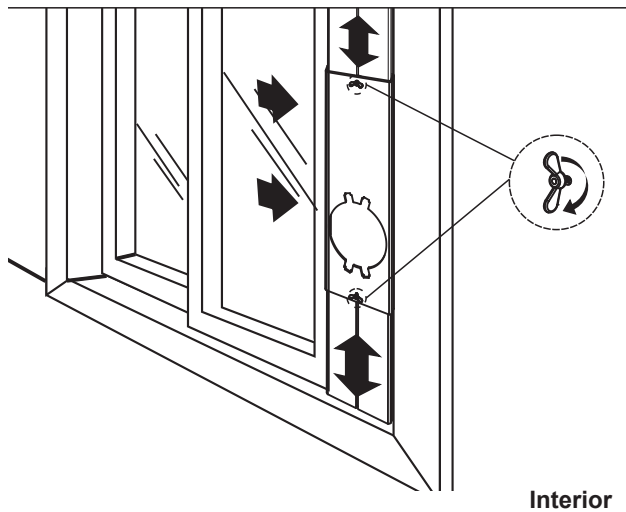
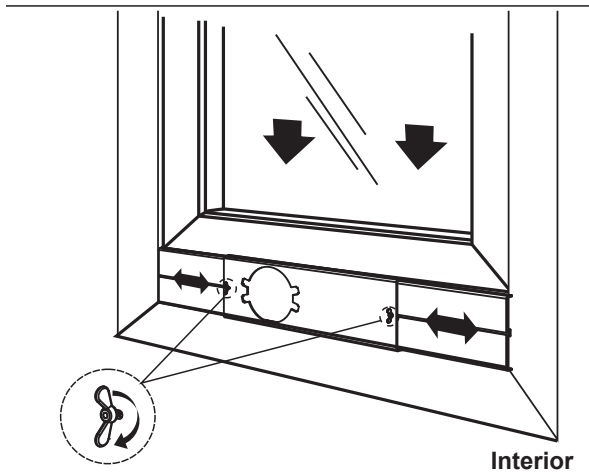
4. INSTALLATION DES PANNEAUX DE FENÊTRE

A. Insérer les panneaux de fenêtre B et C dans chaque extrémité du panneau principal A. Les adapter à la largeur de la fenêtre.



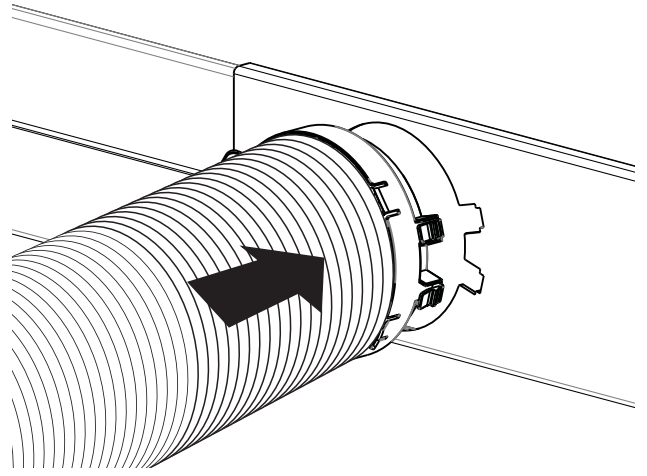
B. Ouvrir la fenêtre et placer les panneaux de fenêtre dans la fenêtre. Ajuster les panneaux de rallonge pour les adapter à la largeur ou la hauteur de la fenêtre au moyen des jeux de vis et d'écrous montés sur le panneau principal A.

C. Aplique los selladores de gomaespuma provistos en la parte superior, inferior y extremos del panel de la ventana, a fin de brindar el mejor sellado de aire.



5. FIXATION DU TUYAU D'ÉVACUATION SUR L'EMBOUCHURE D'ÉVACUATION

- Insérer l'autre extrémité du tuyau d'évacuation (avec le raccord de tuyau no 3) sur le support de fenêtre.



6. FIN DE L'INSTALLATION

⚠ AVERTISSEMENT



Risque de choc électrique

- Brancher sur une prise à 3 alvéoles reliée à la terre.
- Ne pas enlever la broche de liaison à la terre du cordon d'alimentation.
- Ne pas utiliser un adaptateur.
- Ne pas utiliser un câble de rallonge.
- Le non-respect de cette instruction pourrait causer un décès, un incendie ou un choc électrique.

- Enchufe el cable de corriente en un tomacorriente con conexión a tierra de 3 patas.
- Presione el botón Reset (Reiniciar) del cable de corriente para asegurarse de que el enchufe de seguridad está enviando corriente al acondicionador de aire.
- Deje 20" de espacio alrededor de la unidad para una correcta circulación de aire.
- Al retirar el acondicionador de aire portátil para guardarlo, el panel de la ventana se podrá dejar colocado en su posición. Simplemente coloque la tapa (n° 5) sobre el agujero del panel de la ventana.

Solucionar problemas

PROBLÈME	CAUSE(S) POSSIBLE(S)	SOLUTION
L'appareil ne se met pas en marche ou ne fonctionne pas	Le cordon d'alimentation n'est pas raccordé à une prise murale.	Brancher le cordon d'alimentation dans une prise à 3 alvéoles reliée à la terre.
	Quelqu'un a trébuché sur le cordon d'alimentation.	Appuyer et relâcher le bouton RESET (réinitialisation) sur le cordon d'alimentation.
	Le bouton de mise sous tension Power n'a pas été enfoncé.	Appuyer sur le bouton de mise sous tension sur le tableau de commande ou la télécommande pour ALLUMER le climatiseur.
	La prise électrique n'est pas alimentée.	Brancher une lampe en état de marche sur la prise pour vérifier si celle-ci est alimentée.
	Un fusible est grillé ou un disjoncteur s'est déclenché.	Remplacer le fusible ou réenclencher le disjoncteur.
	La commande a été programmée pour une mise en marche différée.	Annuler la mise en marche différée. Voir "Tableau de commande".
	Les piles de la télécommande sont épuisées.	Remplacer les piles.
	Le réservoir d'eau interne est plein. REMARQUE : Le climatiseur s'éteint automatiquement et le témoin de réservoir d'eau plein s'allume pour vous avertir.	Vider le réservoir d'eau. Voir "Entretien du climatiseur".
La télécommande ne fonctionne pas.	Les piles sont usées.	Remplacer les piles.
	Les piles n'ont pas été insérées correctement.	Vérifier que les piles sont insérées dans le bon sens.
Le climatiseur fonctionne mais la pièce ne refroidit pas.	La température de la pièce est élevée. REMARQUE : Durant les journées très chaudes et humides, le climatiseur met plus longtemps à refroidir la pièce.	Lors d'une première utilisation, le refroidissement de la pièce prend plus de temps. S'assurer que le débit thermique du climatiseur est approprié aux dimensions de la pièce à refroidir.
	La commande a été incorrectement réglée sur le mode Fan (ventilateur) ou Dehum (déshumidifier).	Régler l'appareil en mode Cool (refroidissement) et la vitesse du ventilateur sur High (élevée).
	Le débit d'air est obstrué.	Dégager tout obstacle obstruant le débit d'air et rediriger le débit d'air pour un refroidissement homogène.
	La température a été réglée à un niveau trop élevé.	Diminuer le réglage de la température.
	Les filtres à air sont sales ou obstrués.	Nettoyer le filtre à air. Voir "Entretien du climatiseur".
	Le climatiseur a été incorrectement installé.	Vérifier si le tuyau d'évacuation et le panneau de fenêtre ont été correctement installés.
	Les portes et les fenêtres sont ouvertes.	Fermer les portes et les fenêtres de la pièce à refroidir pour éviter que l'air froid ne s'échappe.

Garantía

Por el período de: **GE Appliances reemplazarán:**

Un año

A partir de la fecha de la compra original

Unidad de reemplazo para cualquier producto que falle debido a defectos en los materiales o en el proceso de fabricación. La unidad de reemplazo está garantizada para el resto del período de un año de garantía original del producto. La unidad de reemplazo puede ser una nueva o una reparada.

Si desea realizar una queja durante los primeros 90 días de la garantía desde la fecha original de compra:

- **Empaque su unidad apropiadamente. Recomendamos usar el cartón original y los materiales de empaquetado.**
- **Regrese el producto al local de ventas donde usted lo compró.**
- **Incluya en el paquete una copia del recibo de venta u otra evidencia de la fecha original de la compra. Además imprima su nombre y dirección y una descripción del defecto.**

Si desea hacer una queja durante el año de garantía restante:

- **Ubique a su receptor original de ventas y haga una nota indicando su modelo y número de serie.**
- **Llame a GE al 1.866.907.1655 a fin de iniciar el proceso de reemplazo del producto.**
- **Se le pedirá que dé su nombre, domicilio, fecha de adquisición, modelo y número de serie.**
- **GE hará arreglos para que se envíe una caja a su hogar a fin de que pueda recuperar el producto.**
- **Deberá entregar el producto (con los gastos de correo previamente cubiertos por GE) al centro de recuperación de GE para que se pueda entregar una unidad de reemplazo. Incluya una descripción del defecto.**
- **Deberá recibir el producto de reemplazo entre los 7 y 10 días hábiles luego de que hayamos recibido su unidad.**

Lo que no está cubierto:

- **Instrucciones al cliente. El Manual del propietario proporciona información acerca de las instrucciones de operación y de los controles del usuario.**
- **Instalación inapropiada. Si usted tiene un problema durante la instalación, o si su acondicionador de aire no tiene la capacidad de enfriamiento que usted necesita, póngase en contacto con nuestro distribuidor o instalador. Usted es responsable de proporcionar las facilidades de conexión eléctrica necesarias.**
- **Fallo del producto resultante de modificaciones al producto o debido a uso irrazonable incluyendo no proporcionar mantenimiento razonable y necesario.**
- **Reemplazo de fusibles de la casa o reajuste del sistema de circuitos.**
- **Fallo debido a la corrosión en modelos que no están protegidos contra la corrosión.**
- **Daño al producto causado por voltaje inapropiado hacia el equipo, accidentes, incendios, inundaciones o actos de la naturaleza de fuerza mayor.**
- **Daños incidentales o consecuenciales causados por defectos posibles con este acondicionador de aire.**
- **Causar daños después de la entrega.**

EXCLUSIÓN DE GARANTÍAS IMPLÍCITAS—Su único y exclusivo derecho es el reemplazo del producto, tal y como se indica en esta Garantía limitada. Cualquier garantía implícita, incluyendo las garantías implícitas de comerciabilidad o adecuación para un fin determinado, están limitadas a un año o el período de tiempo más breve permitido por la ley.

Esta garantía se extiende al comprador original y cualquier comprador posterior de productos comprados para uso residencial dentro de Estados Unidos.

Algunos estados no permiten la exclusión o las limitaciones de daños incidentales o consecuenciales. Esta garantía da derechos legales específicos, y usted podría tener otros derechos que variarán de estado a estado. Para saber cuáles son sus derechos legales, consulte a la oficina de asuntos del consumidor local o la oficina del Attorney General en su localidad.

Exclusión de garantías implicadas: Excepto donde está prohibido o restringido por la ley, no hay garantías, expresas, orales o estatutarias que extiendan más allá de la descripción específica, incluyendo específicamente las garantías implicadas de comerciabilidad o propiedad para un propósito particular.

GE Appliances, a Haier company

Abroche su recibo aquí. Para acceder al servicio técnico de acuerdo con la garantía deberá contar con la prueba de la fecha original de compra.

Soporte para el Consumidor

Sitio Web de GE Appliances

¿Desea realizar una consulta o necesita ayuda con su electrodoméstico? ¡Intente a través del Sitio Web de GE Appliances las 24 horas del día, cualquier día del año! Usted también puede comprar más electrodomésticos maravillosos de GE Appliances y aprovechar todos nuestros servicios de soporte a través de Internet, diseñados para su conveniencia.

En EE.UU.: GEAppliances.com

Registre su Electrodoméstico

¡Registre su electrodoméstico nuevo a través de Internet, según su conveniencia! Un registro puntual de su producto permitirá una mejor comunicación y un servicio más puntual de acuerdo con los términos de su garantía, en caso de surgir la necesidad. También puede enviar una carta en la tarjeta de inscripción preimpresa que se incluye con el material embalado.

En EE.UU.: GEAppliances.com/register

Piezas y Accesorios

Aquellos individuos calificados para realizar el servicio técnico de sus propios electrodomésticos podrán solicitar el envío de piezas o accesorios directamente a sus hogares (se aceptan las tarjetas VISA, MasterCard y Discover). Ordene hoy a través de Internet durante las 24 horas, todos los días. En EE.UU.: GEApplianceparts.com o de forma telefónica al 877.959.8688 durante el horario de atención comercial.

Las instrucciones que figuran en este manual cubren los procedimientos que serán realizados por cualquier usuario. Otros servicios técnicos generalmente deben ser derivados a personal calificado del servicio. Se deberá tener cuidado, ya que una reparación indebida podrá hacer que el funcionamiento no sea seguro.

Contáctenos

Si no se encuentra satisfecho con el servicio que recibió de GE Appliances, comuníquese con nosotros a través de nuestro sitio Web con todos los detalles, incluyendo su número telefónico, o escriba a:

En EE.UU.: General Manager, Customer Relations | GE Appliances, Appliance Park | Louisville, KY 40225

GEAppliances.com/ge/service-and-support/contact.htm