

Evo Elite Series Circular Cooktops

Indoor



The natural way to cook[®]

The Most Versatile Cooking

Evo Affinity Elite Series

The Affinity 25E is an electric cooktop with a 25" diameter ceramic-clad cooking surface and dual heat zones.



The Affinity 30Ge is an electronically controlled indoor gas cooktop with a 30" diameter ceramic-clad cooking surface and dual heat zones.



Entertaining family and friends is a delight. Everyone agrees. With simply prepared foods from recipes handed down generation upon generation, we savor our kitchens as a place to bring people together.

At Evo, bringing people together around food is our passion. It's also what inspired us to design and build a new kind of cooking appliance that lets people share the joys of cooking.

Built in America and solidly constructed, Evo's unique circular seasoned cooking surface, dual heat zones and wide range of controllable surface temperatures makes it perfect for cooking virtually any meal from any angle.

Whether cooking for two or hosting a party for ten, Evo is center stage, helping you create memorable experiences.



Appliance You'll Ever Use

Bring out the goodness of food with an Evo circular flattop cooking appliance. Prepare and share everything from a delicious pancake, sausage and egg breakfast to the most flavorful seared steaks, seafood and grilled vegetables you've ever tasted. Sear, steam, grill, toast and stir-fry directly on Evo's traditional non-stick oil-seasoned cooking surface to capture and keep your food's natural flavors, or use your everyday pots or pans to boil, braise, poach, sauté or fry. Enjoy fresh prepared foods with family and friends around the most versatile cooking appliance you'll ever use.

No other appliance is this social. No other appliance lets you be this creative.



Evo is easy to clean. Simply scrape the cook surface with your Evo scraper, scour with Evo's cleaning pad, and wipe clean with a paper towel. Evo is now ready for your next creation.

DIRECT COOKING TECHNIQUES:

- (1) Sear (2) Steam (3) Grill (4) Toast (5) Stir-Fry



INDIRECT COOKING TECHNIQUES:

- (6) Boil (7) Braise (8) Poach (9) Sauté (10) Fry

Affinity 25E Elite Electric



The Affinity 25E is an electric cooktop designed for indoor kitchens. It features a 25" diameter ceramic-clad cooking surface with an independently-controlled heater providing two circular heat zones. Temperatures are variable from 150°F to 525°F (66°C to 274°C).

The 25E is built to fit standard dimensions of residential kitchen countertops and islands. All controls are conveniently positioned up front on a curved control panel with an elevated cooking surface.

Stainless Steel Drip Pan

surrounds cooking surface to contain spills

Heavy Gauge 304 Stainless Steel Construction

at all contact surfaces

Removable Spillover Trays

concealed behind slide out drawers at each right and left side of control panel; removable, dishwasher safe

Digital Electronic Display

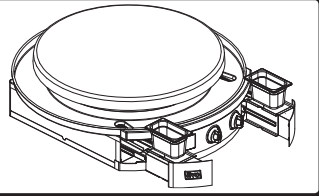
provides On/Off and Mode functions, and displays temperatures at both inner and outer cook surface zones

Cooking Surface

ceramic-clad steel that's 25 inches in diameter, 450 sq. inches total. A dual zone heater provides two independent heat zones with variable temperatures from 150°F to 525°F (66°C to 274°C)

Inner and Outer Temperature Control Knobs

command a variable range of temperature across two circular heat zones for edge-to-edge variable heat



SPILOVER TRAYS

Extend from drawers at each right and left side of the control panel.



TRIM KIT

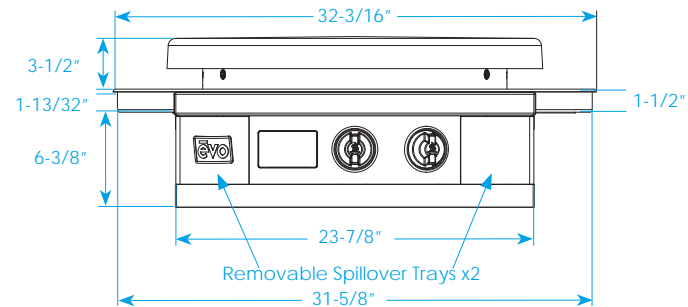
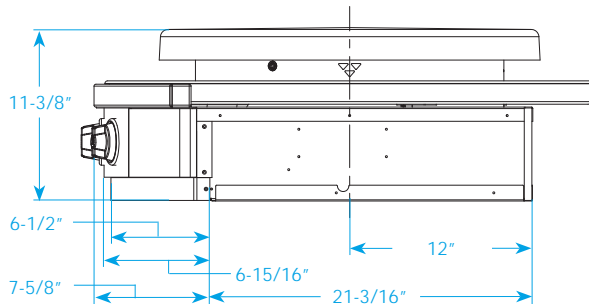
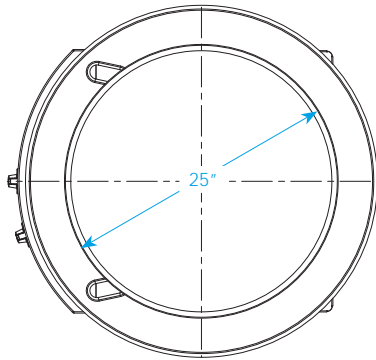
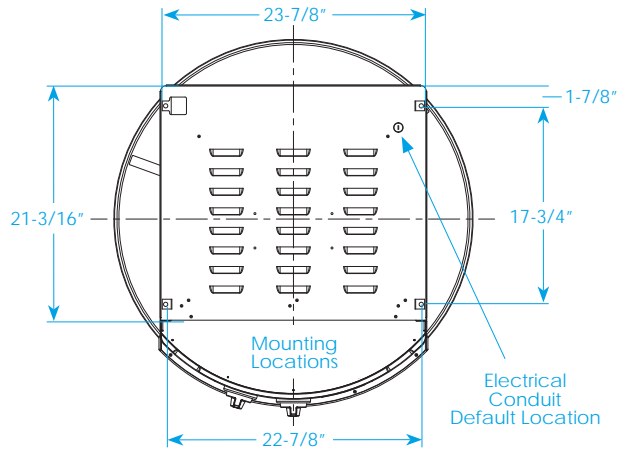
Stainless steel square insert for easy installation into counter (optional).

The Affinity 25E installs to a counter surface leaving only the cooking surface, drip pan and control panel exposed. A zero clearance tolerance allows flush installation to any wood, rock, concrete, and tiled counter surface.

Affinity 25E Elite Cooktop



The Affinity 25E Elite Cooktop is designed to transform the indoor kitchen into a social cooking space. With its circular design and versatile flattop cooking surface, meals are easier to prepare with less cleanup, making this an appliance everyone will enjoy.

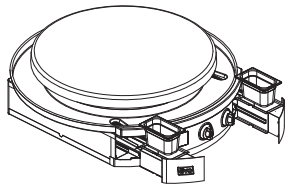


Affinity 30Ge Elite Gas



DUAL GAS BURNERS

Independently-controlled circular burners provide two heat zones across the cooking surface for edge-to-edge heat.



SPILOVER TRAYS

Extend from drawers at each right and left side of the control panel.



TRIM KIT

Stainless steel square insert for easy installation into counter (optional).

The Affinity 30Ge is an electronically-controlled gas cooktop designed for indoor kitchens. It features a 30" diameter ceramic-clad cooking surface with two independently-controlled gas burners and two circular heat zones. Temperatures are variable from 225°F to 625°F (107°C to 330°C).

The 30Ge is built to fit standard dimensions of residential indoor kitchen countertops and islands. All controls are conveniently positioned up front on a curved control panel with an elevated cooking surface.

Stainless Steel Drip Pan

surrounds cooking surface to contain spills

Flame Viewing Portals

located just below cook surface provide a convenient view of burners

Removable Spillover Trays

concealed behind slide out drawers at each right and left side of control panel; removable, dishwasher safe

Digital Electronic Display

provides On/Off and Mode functions, and displays temperatures at both inner and outer cook surface zones



Cooking Surface

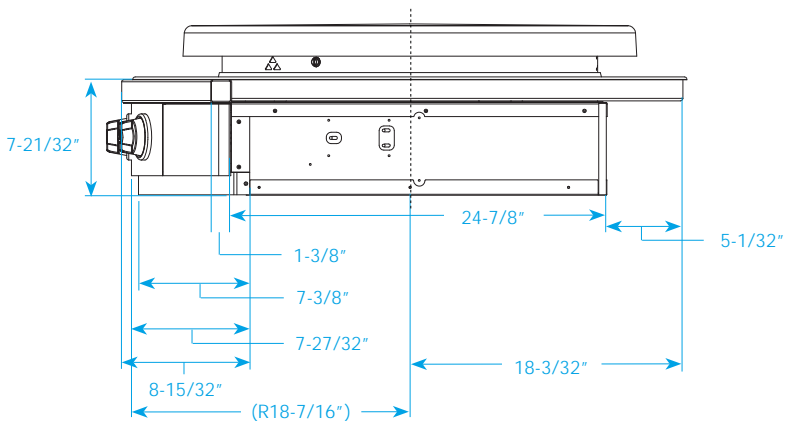
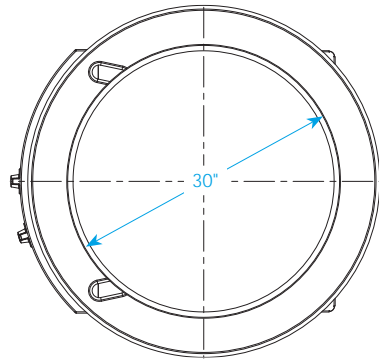
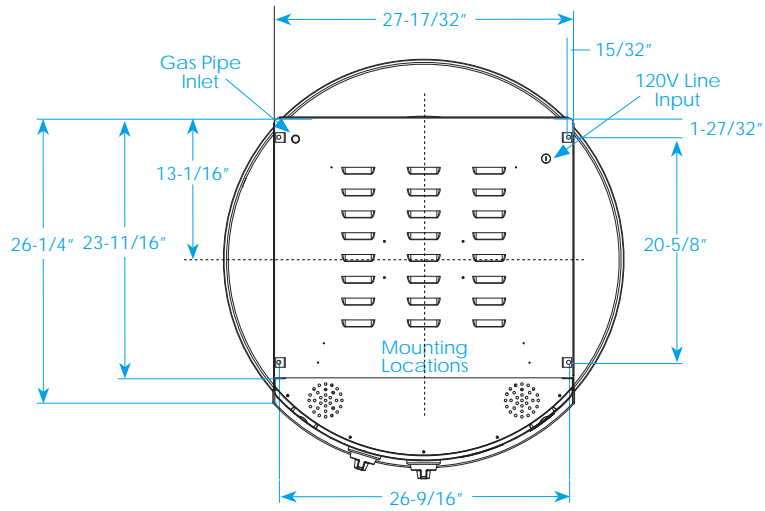
ceramic-clad steel that's 30 inches in diameter, 650 sq. inches total. Dual burners provide variable temperatures from 225°F to 625°F (107°C to 330°C), with 40,000 BTU's

Heavy Gauge 304

Stainless Steel Construction at all contact surfaces

Inner and Outer

Temperature Control Knobs command variable temperatures across two circular heat zones for edge-to-edge heat

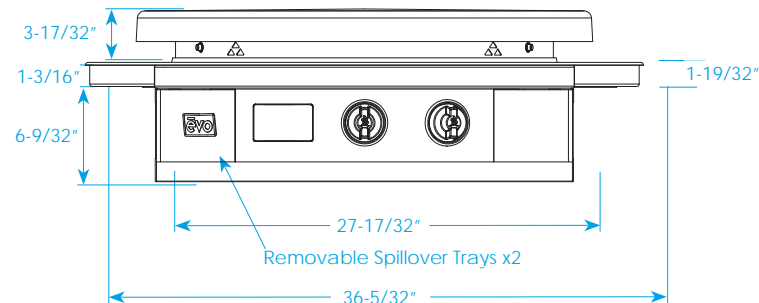


The Affinity 30Ge installs to a counter surface leaving only the cooking surface, drip pan and control panel exposed. Minimum $3/8"$ clearance to combustible surfaces allows installation to wood, rock, concrete and tiled counter surfaces.

Affinity 30Ge Elite Cooktop



The Affinity 30Ge Elite Cooktop is the ultimate social cooking appliance for any indoor kitchen. The unique style captures attention, while the highly functional design encourages participation, all to the delight of your onlooking audience.



Included With Your Evo

All Evo Indoor Elite Series appliances ship with utensils, cooking accessories, cleaning supplies, and a cookbook.



Get The Most From Your Evo

Visit our website at www.evoamerica.com and find what you need from recipes to cooking techniques and videos, all designed to help you get the most from your Evo. To connect with other Evo home chefs and share your creations, link to our Facebook page at www.facebook.com/evocooks. For all other questions, just give us a call or send us an email.

"When we build...let it be such work as our descendants will thank us for."

*John Ruskin,
19th century
social thinker
and artist*



PRODUCTS

Find information on Evo cooking appliances.



RECIPES

Search our recipe site for appetizers, or a main course.



SUPPORT

Visit us online, or call toll-free 866.626.1802 or direct 503.626.1802.



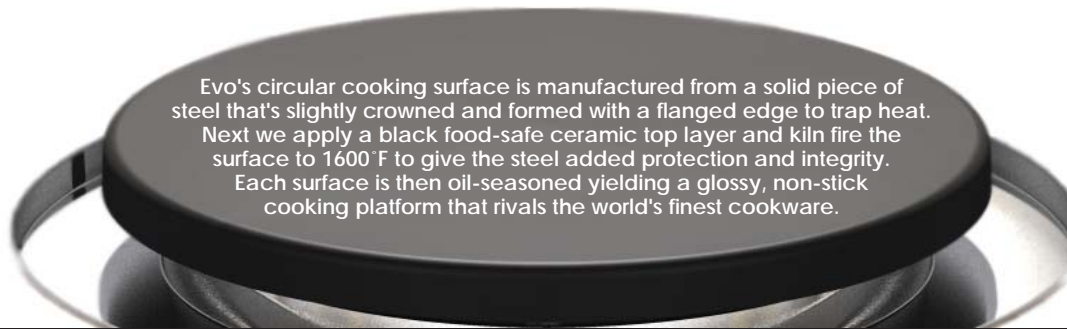
ACCESSORIES

Purchase Evo cooking accessories and cleaning supplies online.



CONTACT

Call toll-free 866.626.1802, or direct 503.626.1802, or email at sales@evoamerica.com.



Evo's circular cooking surface is manufactured from a solid piece of steel that's slightly crowned and formed with a flanged edge to trap heat. Next we apply a black food-safe ceramic top layer and kiln fire the surface to 1600° F to give the steel added protection and integrity. Each surface is then oil-seasoned yielding a glossy, non-stick cooking platform that rivals the world's finest cookware.



Evo, Inc. | 8140 SW Nimbus Ave., Bldg 5 | Beaverton, Oregon 97008
Toll Free 866.626.1802 | P 503.626.1802 | F 503.213.5869 | sales@evoamerica.com | www.evoamerica.com
Evo is protected under U.S. Patents 6,189,530, 6,488,022, and 7,926,417 and U.S. Patents Pending.
Evo is a registered trademark of Evo, Incorporated. © 2013. All rights reserved.



® Evo Elite Series Grills are for residential use only.

Form BR-R-RE v2 06/2013