

Viking Installation Guide



Viking Range Corporation

111 Front Street

Greenwood, Mississippi 38930 USA

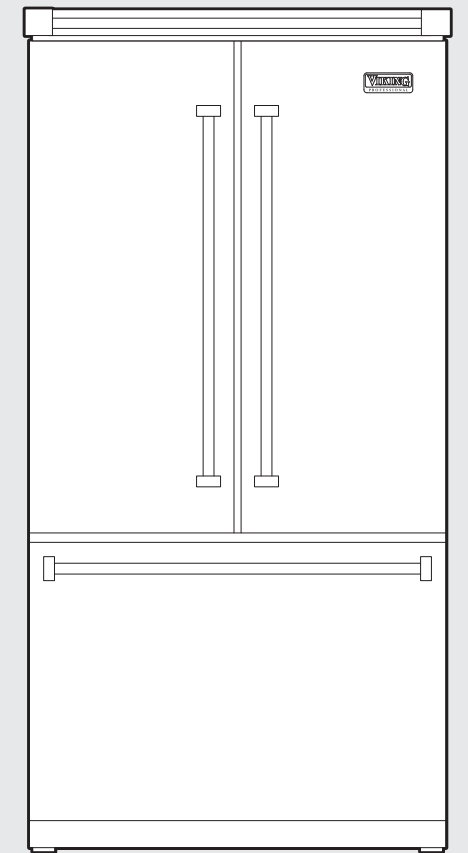
(662) 455-1200

For product information,

call 1-888-VIKING1 (845-4641)

or visit the Viking Web site at

vikingrange.com

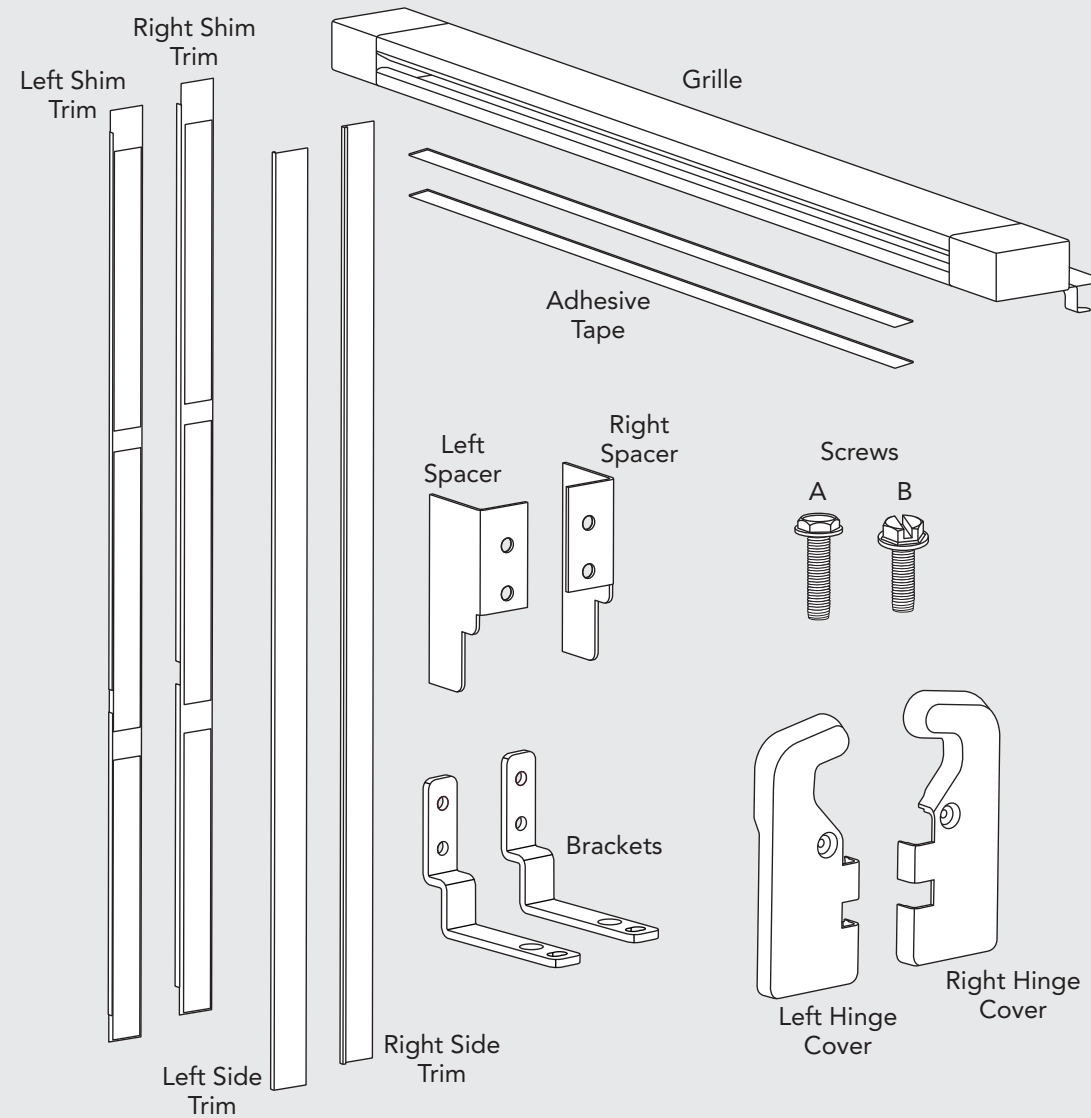


Freestanding Refrigeration Side Trim,
Side Panel, Top Panel & Grille Installation-
French Door Bottom-Mount (236 Series)

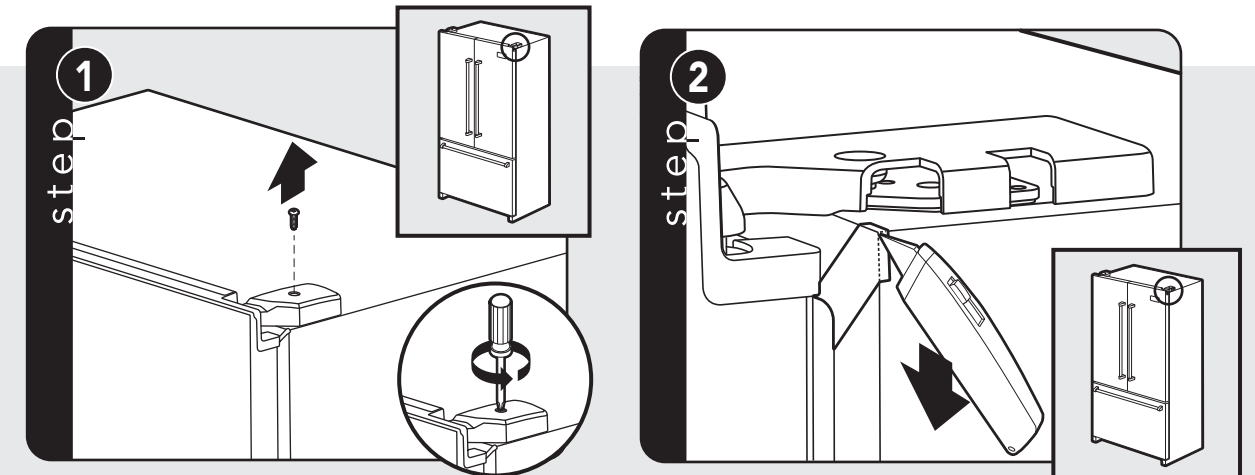
Specifications

Freestanding Refrigerators	
Description	VCFF/RDDFF236 with side panels/tops/grilles
Overall width with side panels	35-7/8" (91.1 cm)
Overall height with tops/grilles	73-5/8" (187.0 cm)
Cutout width with side panels	36" (91.4 cm)
Cutout height with tops/grilles	73-3/4" (187.3 cm)

Required Components - Built-In Installation

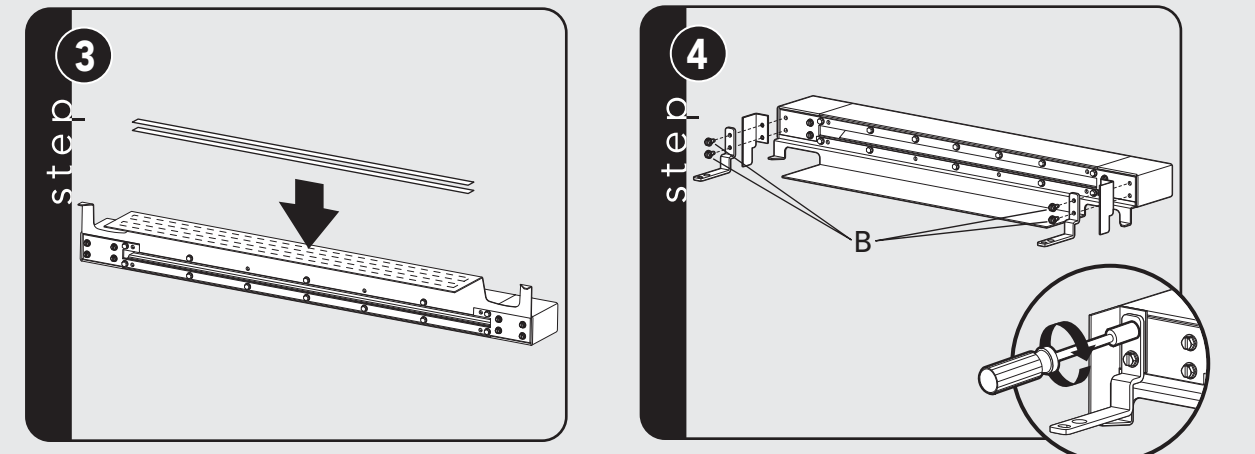


Installation - Side Trim and Grille (Built-In Installation)



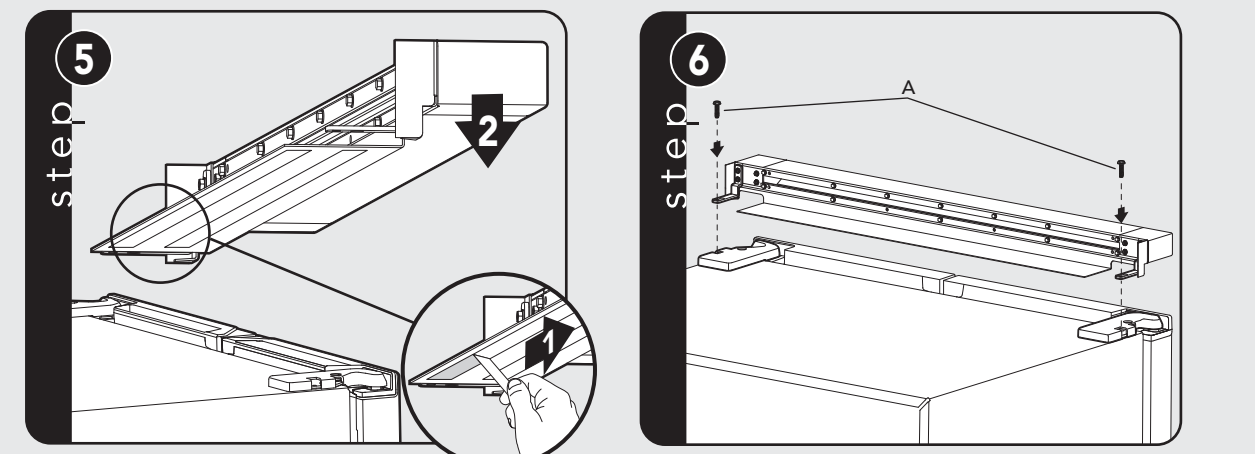
Remove screws and hold for replacement. Discard hinge covers. Use hinge covers provided in kit.

Remove edge and top of corner cover.



Apply adhesive tape to grille assembly.

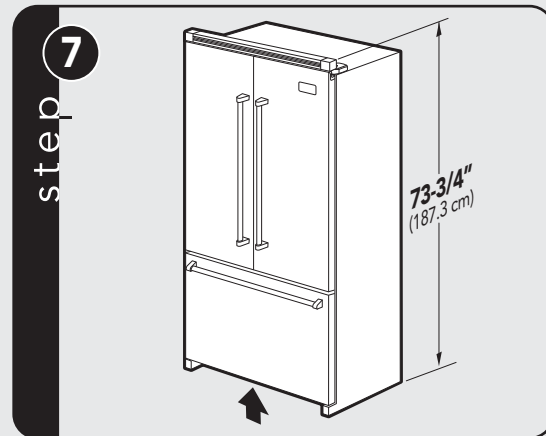
Attach brackets and spacers, included in the kit, to the grille assembly with four B screws.



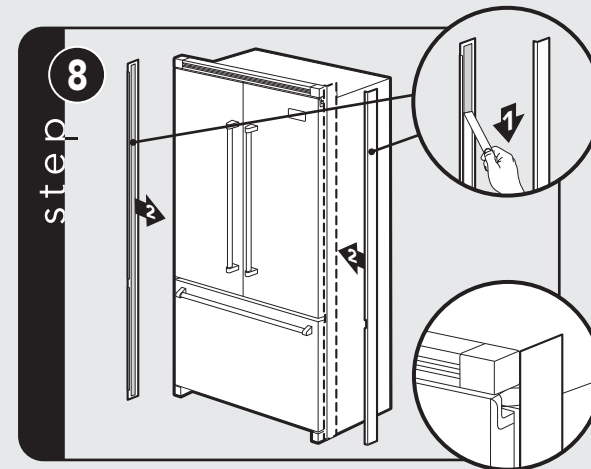
Remove adhesive backing. Firmly press the grille assembly down so the adhesive adheres to the cabinet. Align grille assembly to front door and position grille on top of unit.

Secure the grille brackets to the holes in the hinge plate with two A screws. Once grille assembly is secure, install hinge cover screws back into new hinge covers. Some movement of hinge covers might be needed for mounting brackets to fit.

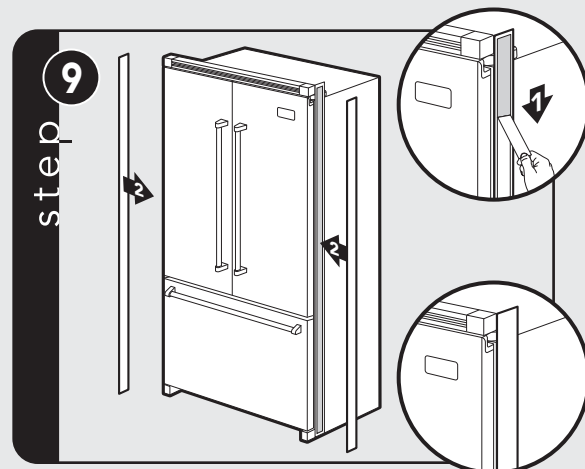
Installation - Side Trim and Grille (Built-In Installation) (cont.)



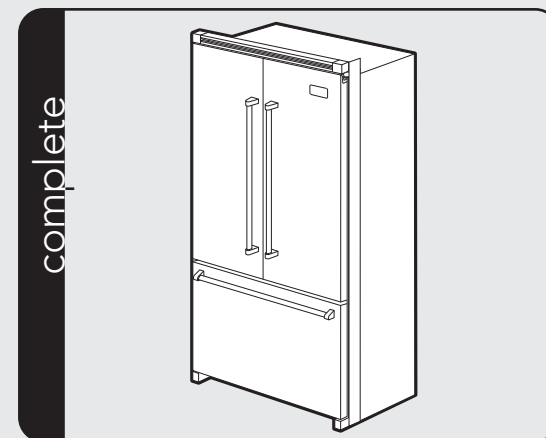
Raise the unit up until the measurement from the floor to the top of the grille assembly is 73-3/4 inches.



Shim trim has adhesive backing on both sides. Remove adhesive backing on refrigerator side only. Fit the shim trim to the front of the unit first. With center hinge, the shim trim will have a cutout. Use the cutout to locate the height of the shim trim.

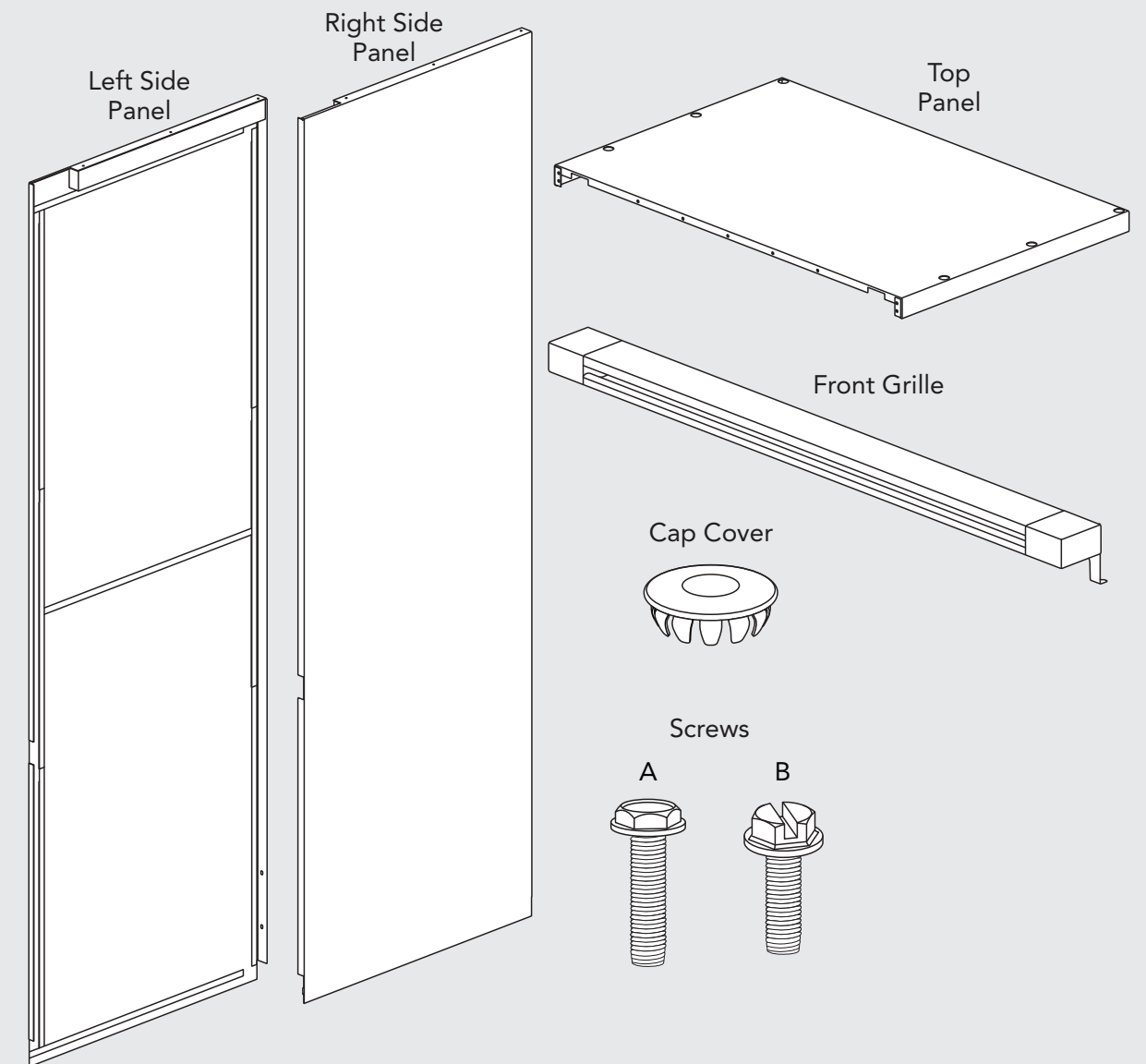


Remove adhesive backing for the side trim. Locate the top of the side trim with the top of the grille assembly. Press the side trim into the refrigerator cabinet at the center location.

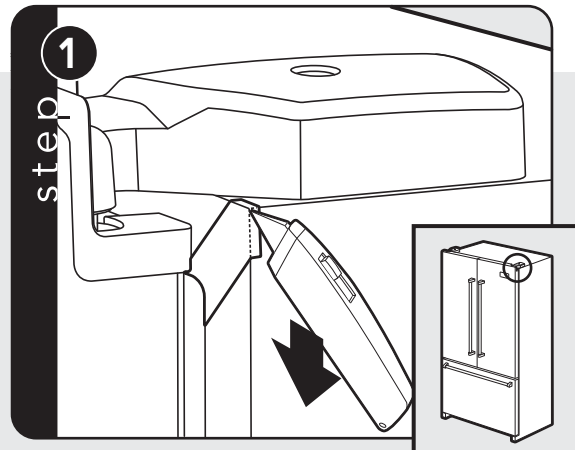


Installation - Side Panel, Top Panel and Grille (Wrapped Installation)

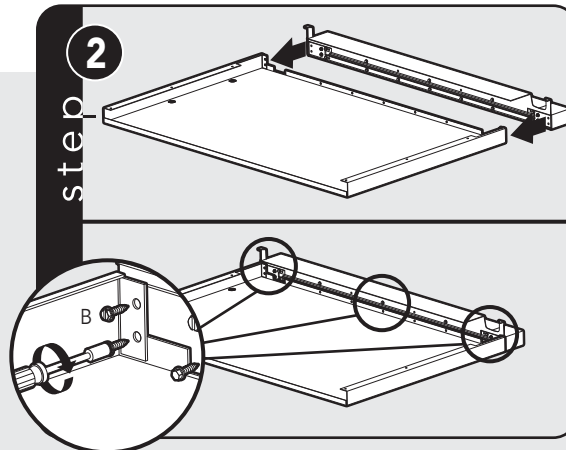
Required Components - Wrapped Installation



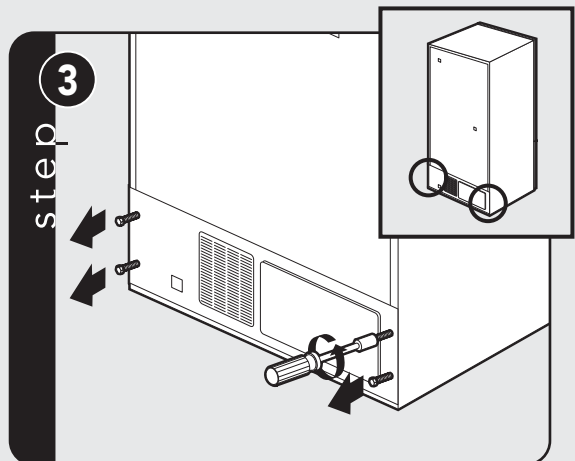
Installation - Side Panel, Top Panel and Grille (Wrapped Installation) (cont.)



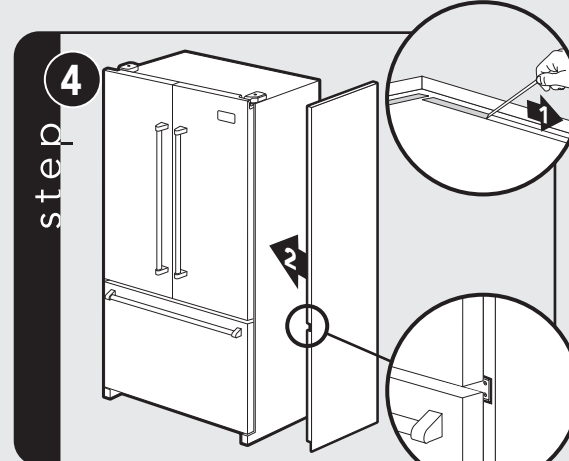
Remove edge and top of corner cover.



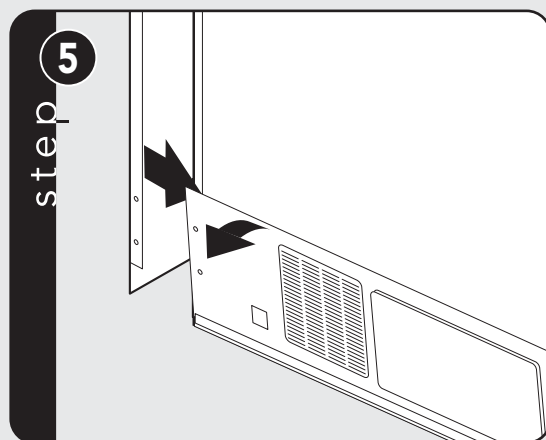
With top panel and grille upside down, position grille assembly in front of top panel. Secure top panel to grille assembly via four outer holes (B screws) and use existing for inner holes.



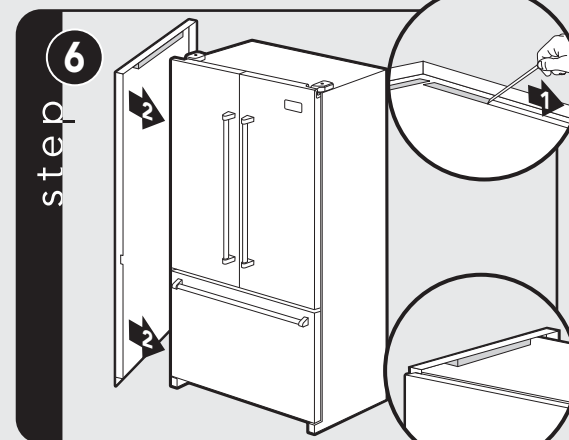
Remove screws on lower back machine cover. Hold for replacement.



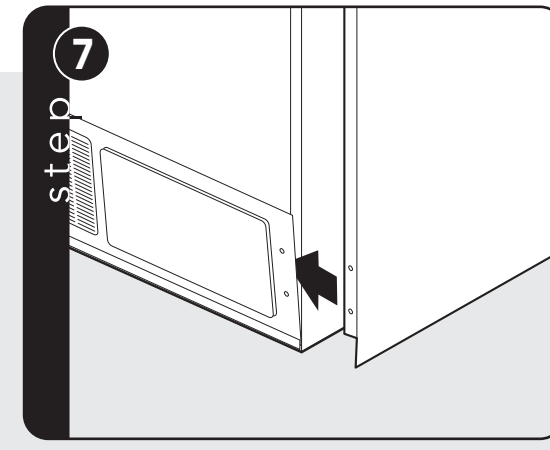
Remove adhesive backing from the side panel. Fit the side panel to the front of the unit first. With a center hinge, the side panel will have a cutout.



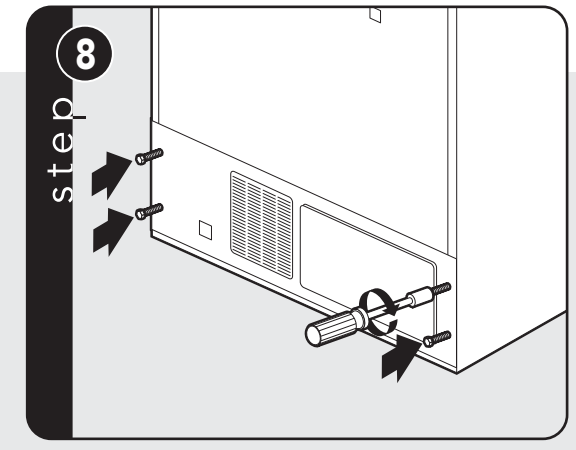
Pull the machine cover off and slip back of side panel between refrigerator cabinet and machine cover. Install machine cover screws back into refrigerator cabinet. NOTE: The holes on the side panel are clearance holes.



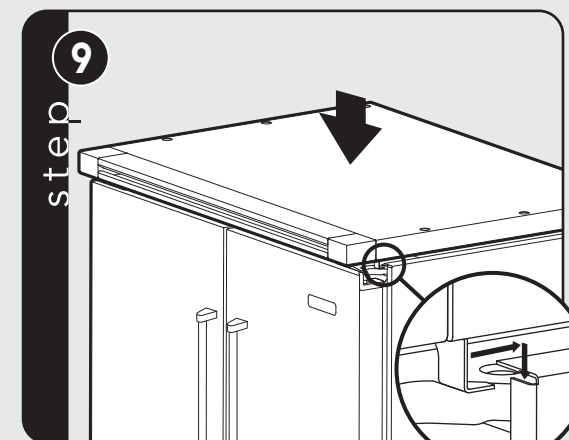
Remove adhesive backing from other side panel. Fit the side panel to the front of the unit first. Spacer on top of side panel needs to sit on top of refrigerator cabinet.



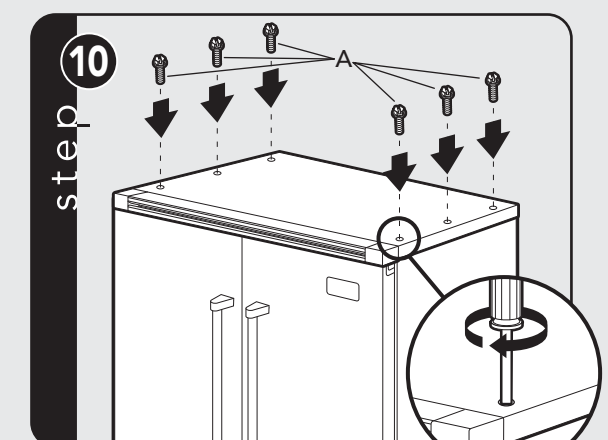
Pull the machine cover and slip back of side panel between refrigerator cabinet and machine cover. Install machine cover screws back into refrigerator cabinet. NOTE: The holes on the side panel are clearance holes.



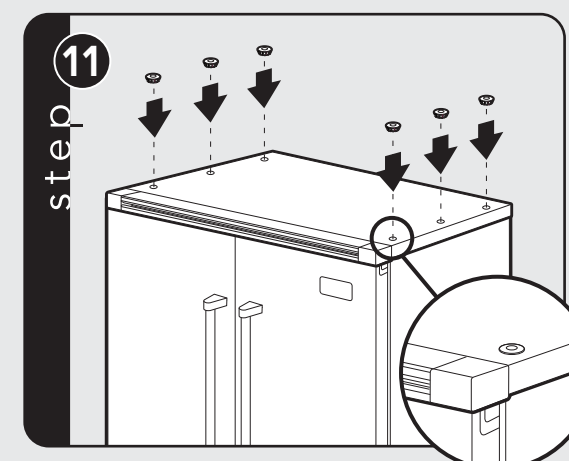
Install machine cover screws back into refrigerator cabinet. NOTE: The holes on the side panel are clearance holes.



Align top panel and grille assembly to front door and position top panel and grille on top of unit. Flanges must fit into gap.



Insert six A screws through holes of top panel into side panel.



Insert cap covers into holes.

